

PARTS CATALOGUE GOLF CAR *SUN CLASSIC GAS*

1986 G3A (J42)

STARTING FRAME: J42-000101 and following

CONTENTS

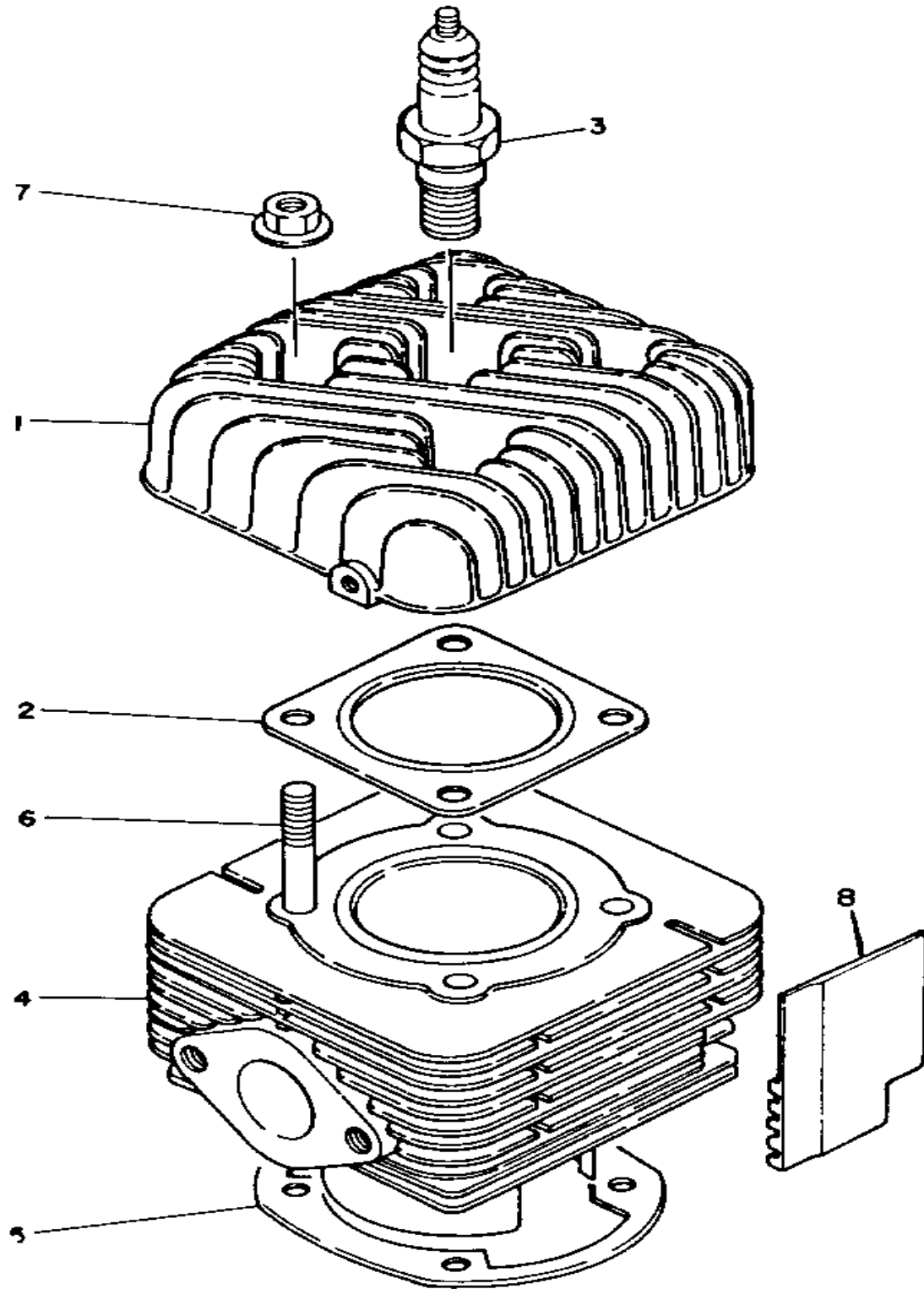
ACCELERATOR	C4
AIR FILTER	A7-8
AIR SHROUD FAN	A4
ALTERNATE	F4-5
BODY 1	D1-3
BODY 2	D4-6
BODY FITTING	D7-9
BRAKE 1	B11-12,C1
BRAKE 2	C2-3
BUMPER	C11-12
CARBURETOR	A9
CARRIER	D12 ,E1-2
CRANKCASE	A12
CRANKSHAFT PISTON	A3
CYLINDER	A2
ELECTRICAL 1	F1-2
ELECTRICAL 2	F3
EXHAUST	A10-11
FRAME	B2
FRONT SUSPENSION WHEEL	B3-5
FUEL TANK	B9-10
GOVERNOR	C5
HEADLIGHT	E10
INSTRUMENT PANEL	D10
MAGNETO	E8-9
OIL PUMP	A5
OIL TANK	B8
PRIMARY SHEAVE	C6
PUMP DRIVE GEAR	A6
REAR AXLE WHEEL	C10
REAR SHOCKS	B1
SEAT	E3-4
SECONDARY SHEAVE	C7
STARTER PULLEY	E7
STARTING MOTOR	E5-6
STEERING	B6-7
TAILLIGHT	E11
TECHNICAL BULLETINS	ROW K
TRANSMISSION 1	C8-9
URNSIGNAL	E12
WINDSHIELD	D11

CYLINDER

CONTENTS

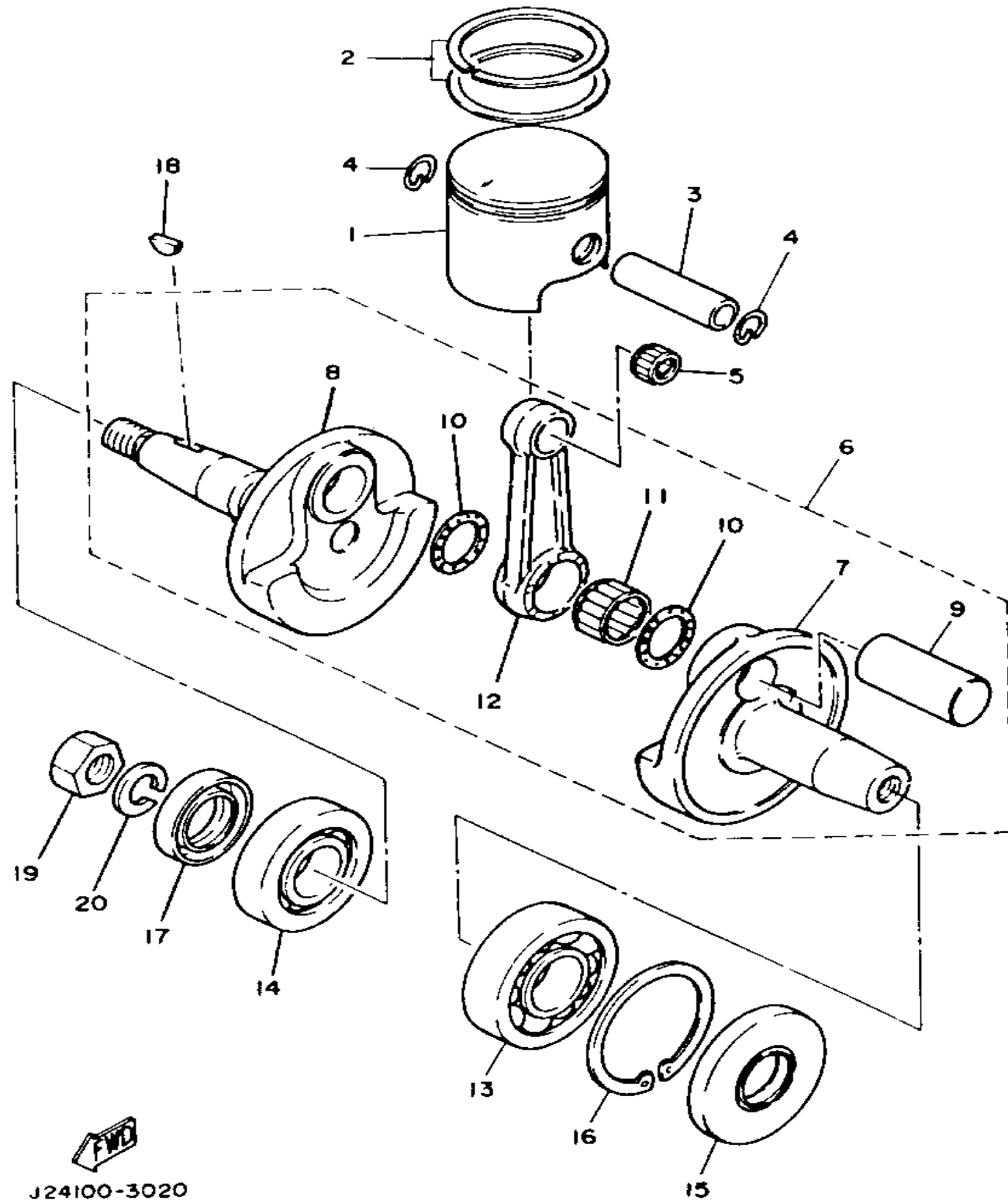
Ref. No.	Part Number	Description	Qty	Remarks
1	J10-11111-00-00	HEAD, CYLINDER 1	1	
2	J10-11181-00-00	GASKET, CYLINDER HEAD 1	1	
3	NGK-BP5HS-00-00	NGK BP5HS 10PK	1	
4	J10-11311-00-00	CYLINDER 1	1	
5	881-11351-01-00	GASKET, CYLINDER	1	
6	90116-08079-00	BOLT, STUD	4	
7	95701-08500-00	NUT, FLANGE	4	
8	J24-11127-00-00	ABSORBER 3	1	

ACCELERATOR	C4
AIR FILTER	A7-8
AIR SHROUD FAN	A4
ALTERNATE	F4-5
BODY 1	D1-3
BODY 2	D4-6
BODY FITTING	D7-9
BRAKE 1	B11-12,C1
BRAKE 2	C2-3
BUMPER	C11-12
CARBURETOR	A9
CARRIER	D12 ,E1-2
CRANKCASE	A12
CRANKSHAFT PISTON	A3
CYLINDER	A2
ELECTRICAL 1	F1-2
ELECTRICAL 2	F3
EXHAUST	A10-11
FRAME	B2
FRONT SUSPENSION WHEEL	B3-5
FUEL TANK	B9-10
GOVERNOR	C5
HEADLIGHT	E10
INSTRUMENT PANEL	D10
MAGNETO	E8-9
OIL PUMP	A5
OIL TANK	B8
PRIMARY SHEAVE	C6
PUMP DRIVE GEAR	A6
REAR AXLE WHEEL	C10
REAR SHOCKS	B1
SEAT	E3-4
SECONDARY SHEAVE	C7
STARTER PULLEY	E7
STARTING MOTOR	E5-6
STEERING	B6-7
TAILLIGHT	E11
TECHNICAL BULLETINS	ROW K
TRANSMISSION 1	C8-9
URNSIGNAL	E12
WINDSHIELD	D11



J24100-3010

CRANKSHAFT PISTON



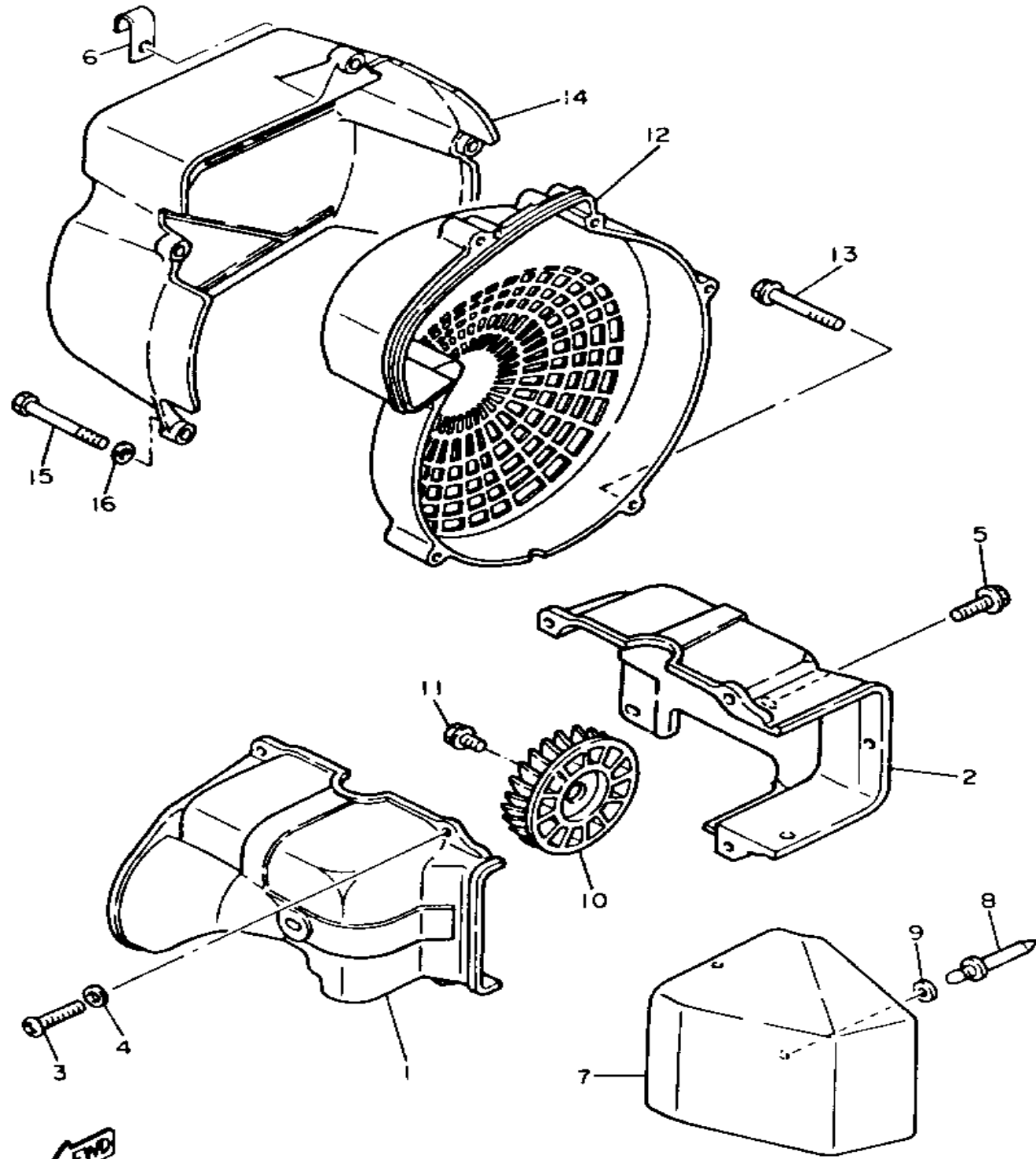
Ref. No.	Part Number	Description	Qty	Remarks
1	J10-11631-00-96	PISTON STD	1	UR
	J10-11635-00-00	PISTON 1 O/S 0.25	1	ALTERNATE PART
	J10-11636-00-00	PISTON 2 O/S 0.50	1	ALTERNATE PART
2	J10-11610-00-00	PISTON RING SET STD	1	UR
	J10-11610-20-00	PISTON RING SET 2ND (2ND O/S)	1	ALTERNATE PART
	J10-11610-10-00	PISTON RING SET 1ST (1ST O/S)	1	ALTERNATE PART
3	818-11633-00-00	PIN, PISTON	1	
4	93450-20026-00	CIRCLIP	2	
5	93310-218A6-00	BEARING, CYLINDRICAL	1	
6	J10-11400-00-00	CRANKSHAFT ASSEMBLY	1	
7	J10-11412-00-00	. CRANK 1	1	
8	J10-11422-00-00	. CRANK 2	1	
9	857-11681-00-00	. PIN, CRANK 1	1	
10	90209-24073-00	. WASHER	2	
11	93310-42497-00	. BEARING, CYLINDER #0	1	
12	881-11651-00-00	. ROD, CONNECTING	1	
13	93306-30621-00	BEARING	1	
14	93306-20622-00	BEARING	1	
15	93102-30188-00	OIL SEAL, SD-TYPE	1	
16	93450-72048-00	CIRCLIP, INNER	1	
17	93102-30128-00	OIL SEAL, SD-TYPE	1	
18	90280-16053-00	KEY, WOODRUFF	1	
19	90170-16182-00	NUT	1	
20	92901-16100-00	WASHER, SPRING	1	

CONTENTS

ACCELERATOR	C4
AIR FILTER	A7-8
AIR SHROUD FAN	A4
ALTERNATE	F4-5
BODY 1	D1-3
BODY 2	D4-6
BODY FITTING	D7-9
BRAKE 1	B11-12,C1
BRAKE 2	C2-3
BUMPER	C11-12
CARBURETOR	A9
CARRIER	D12 ,E1-2
CRANKCASE	A12
CRANKSHAFT PISTON	A3
CYLINDER	A2
ELECTRICAL 1	F1-2
ELECTRICAL 2	F3
EXHAUST	A10-11
FRAME	B2
FRONT SUSPENSION WHEEL	B3-5
FUEL TANK	B9-10
GOVERNOR	C5
HEADLIGHT	E10
INSTRUMENT PANEL	D10
MAGNETO	E8-9
OIL PUMP	A5
OIL TANK	B8
PRIMARY SHEAVE	C6
PUMP DRIVE GEAR	A6
REAR AXLE WHEEL	C10
REAR SHOCKS	B1
SEAT	E3-4
SECONDARY SHEAVE	C7
STARTER PULLEY	E7
STARTING MOTOR	E5-6
STEERING	B6-7
TAILLIGHT	E11
TECHNICAL BULLETINS	ROW K
TRANSMISSION 1	C8-9
URNSIGNAL	E12
WINDSHIELD	D11

J24100-3020

AIR SHROUD FAN



Ref. No.	Part Number	Description	Qty	Remarks
1	J10-12651-00-00	AIR SHROUD, CYLINDER 1 ...	1	
2	J24-12652-00-00	AIR SHROUD, CYLINDER 2 ...	1	
3	98503-06014-00	SCREW, PAN HEAD (92502-06016-00)	5	
4	92990-06600-00	WASHER, PLATE	5	
5	90119-06108-00	BOLT, WITH WASHER	4	
6	90462-08056-00	CLAMP	1	
7	J10-12631-00-00	DEFLECTOR 1	1	
8	90267-48086-00	RIVET, BLIND	3	
9	90201-04325-00	WASHER, PLATE	3	
10	8G8-12611-01-00	FAN	1	
11	95811-06012-00	BOLT, FLANGE	6	
12	J10-12621-01-00	CASE, FAN	1	
13	95801-06050-00	BOLT, FLANGE (95802-06050-00)	1	
14	J24-12616-00-00	COVER, FAN CASE	1	
15	97313-06060-00	BOLT, HEXAGON	4	
16	92990-06600-00	WASHER, PLATE	4	

CONTENTS

ACCELERATOR	C4
AIR FILTER	A7-8
AIR SHROUD FAN	A4
ALTERNATE	F4-5
BODY 1	D1-3
BODY 2	D4-6
BODY FITTING	D7-9
BRAKE 1	B11-12,C1
BRAKE 2	C2-3
BUMPER	C11-12
CARBURETOR	A9
CARRIER	D12 ,E1-2
CRANKCASE	A12
CRANKSHAFT PISTON	A3
CYLINDER	A2
ELECTRICAL 1	F1-2
ELECTRICAL 2	F3
EXHAUST	A10-11
FRAME	B2
FRONT SUSPENSION WHEEL	B3-5
FUEL TANK	B9-10
GOVERNOR	C5
HEADLIGHT	E10
INSTRUMENT PANEL	D10
MAGNETO	E8-9
OIL PUMP	A5
OIL TANK	B8
PRIMARY SHEAVE	C6
PUMP DRIVE GEAR	A6
REAR AXLE WHEEL	C10
REAR SHOCKS	B1
SEAT	E3-4
SECONDARY SHEAVE	C7
STARTER PULLEY	E7
STARTING MOTOR	E5-6
STEERING	B6-7
TAILLIGHT	E11
TECHNICAL BULLETINS	ROW K
TRANSMISSION 1	C8-9
URNSIGNAL	E12
WINDSHIELD	D11

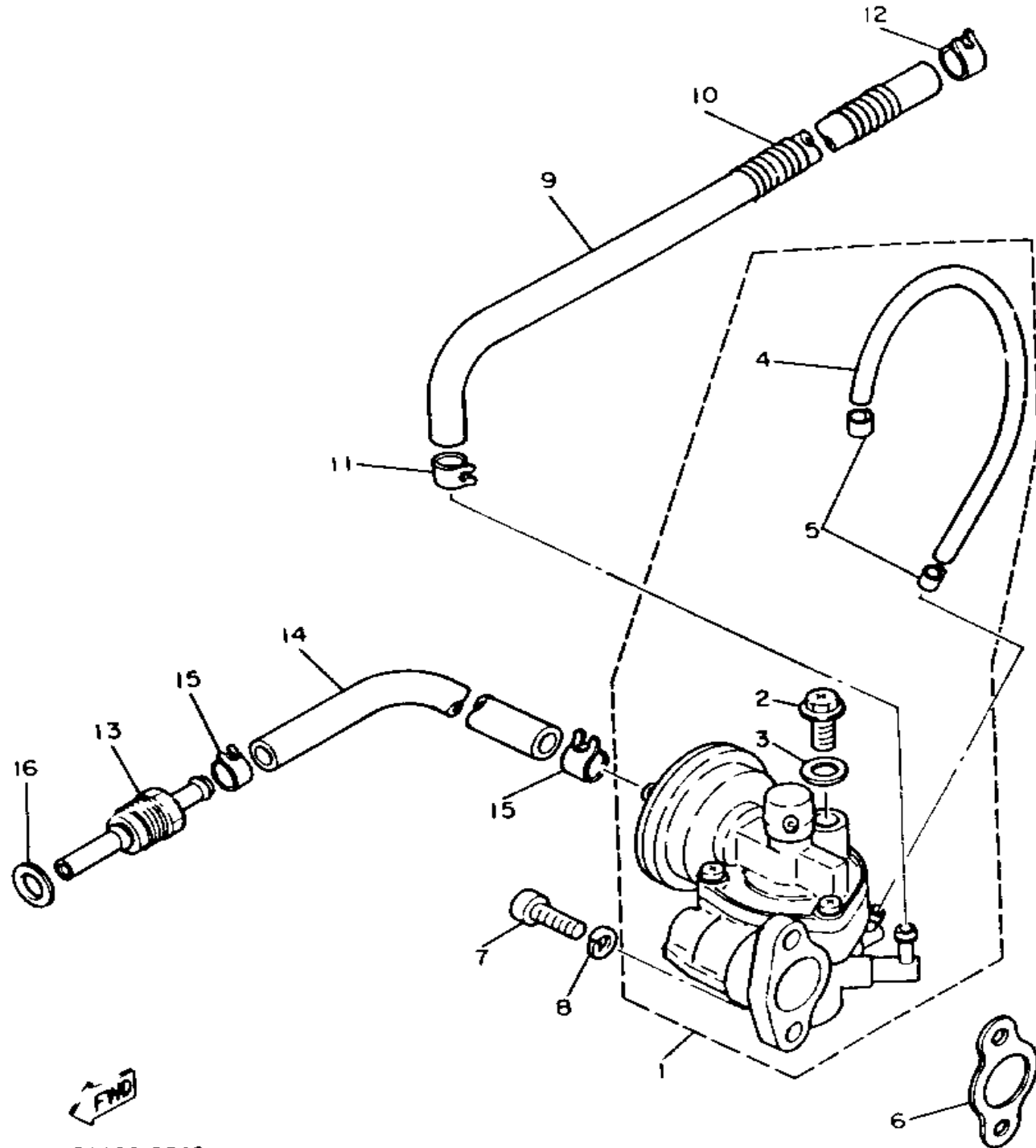
J31100-5030

OIL PUMP

Ref. No.	Part Number	Description	Qty	Remarks
1	J24-13101-00-00	OIL PUMP ASSEMBLY	1	
2	90401-06001-00	. BOLT, UNION	1	
3	90430-06180-00	. GASKET	1	
4	90445-05214-00	. HOSE	1	
5	90468-02033-00	. CLIP	2	
6	8Y0-13116-01-00	GASKET, PUMP CASE	1	
7	98580-05016-00	SCREW, PAN HEAD	2	
8	92990-05100-00	WASHER, SPRING	2	
9	90445-09635-00	HOSE	1	
10	90501-08430-00	SPRING, COMPRESSION	1	
11	90467-09005-00	CLIP, SCISSOR	1	
12	90467-09026-00	CLIP	1	
13	J10-13283-00-00	JET, SENSER	1	
14	90445-11634-00	HOSE	1	
15	90467-10035-00	CLIP	2	
16	90201-08624-00	WASHER, PLATE	1	

CONTENTS

ACCELERATOR	C4
AIR FILTER	A7-8
AIR SHROUD FAN	A4
ALTERNATE	F4-5
BODY 1	D1-3
BODY 2	D4-6
BODY FITTING	D7-9
BRAKE 1	B11-12,C1
BRAKE 2	C2-3
BUMPER	C11-12
CARBURETOR	A9
CARRIER	D12 ,E1-2
CRANKCASE	A12
CRANKSHAFT PISTON	A3
CYLINDER	A2
ELECTRICAL 1	F1-2
ELECTRICAL 2	F3
EXHAUST	A10-11
FRAME	B2
FRONT SUSPENSION WHEEL	B3-5
FUEL TANK	B9-10
GOVERNOR	C5
HEADLIGHT	E10
INSTRUMENT PANEL	D10
MAGNETO	E8-9
OIL PUMP	A5
OIL TANK	B8
PRIMARY SHEAVE	C6
PUMP DRIVE GEAR	A6
REAR AXLE WHEEL	C10
REAR SHOCKS	B1
SEAT	E3-4
SECONDARY SHEAVE	C7
STARTER PULLEY	E7
STARTING MOTOR	E5-6
STEERING	B6-7
TAILLIGHT	E11
TECHNICAL BULLETINS	ROW K
TRANSMISSION 1	C8-9
URNSIGNAL	E12
WINDSHIELD	D11



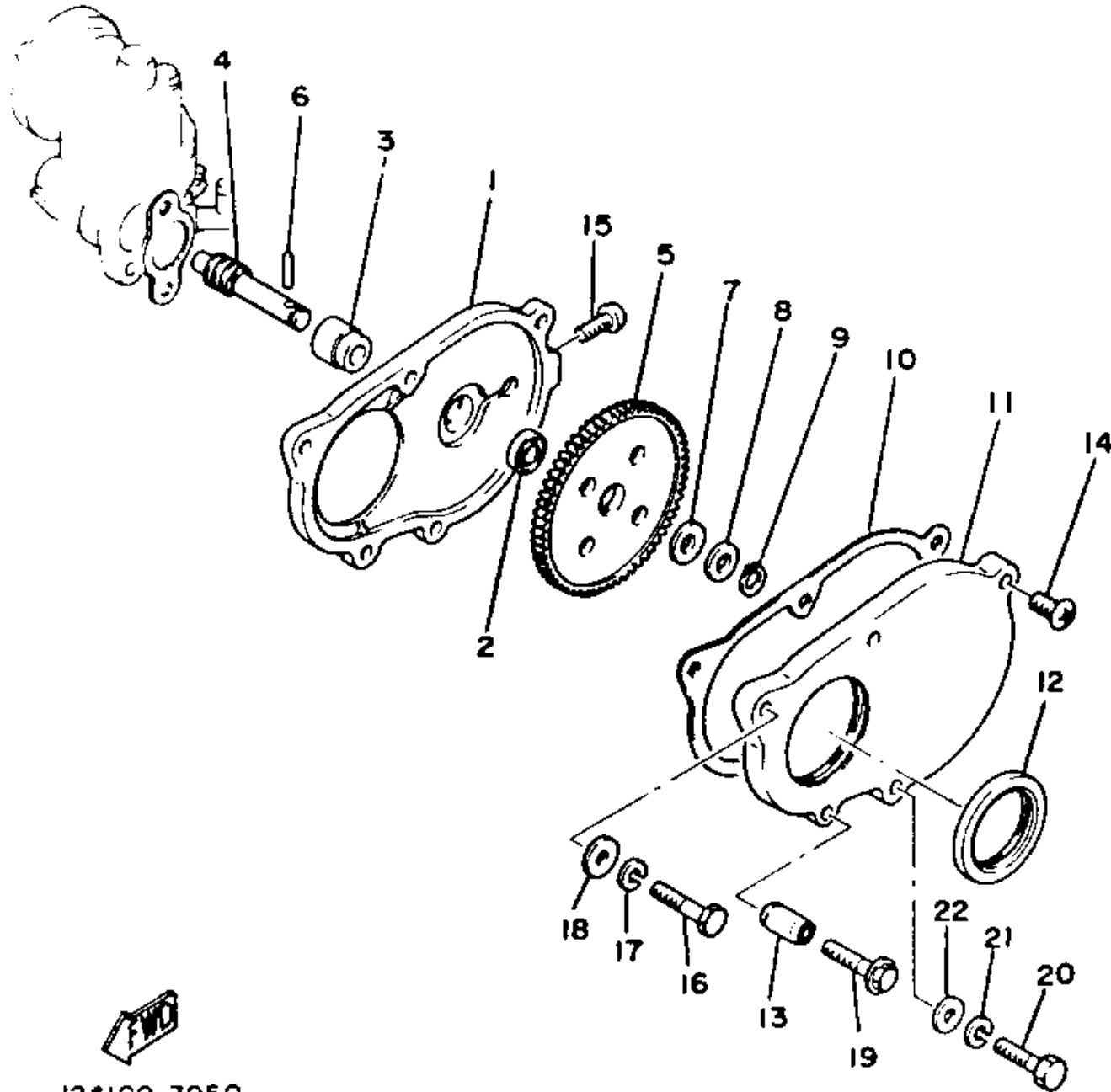
J31100-5040

PUMP DRIVE GEAR

Ref. No.	Part Number	Description	Qty	Remarks
1	J10-15416-00-00	COVER, OIL PUMP	1	
2	93101-10090-00	OIL SEAL	1	
3	1E7-13176-00-00	METAL, WRM SHAF OTR	1	
4	J10-13175-00-00	SHAFT, WORM	1	
5	J10-13188-00-00	GEAR, DRIVE	1	
6	93603-22028-00	PIN, DOWEL	1	
7	90206-11016-00	WASHER, WAVE	1	
8	137-13148-00-00	PLATE, CAM THRUST	1	
9	99009-10400-00	CIRCLIP	1	
10	J10-15466-00-00	GASKET 2	1	
11	J10-15426-00-00	COVER, OIL PUMP R	1	
12	93112-53004-00	OIL SEAL, SR-TYPE	1	
13	91810-18025-00	PIN, DOWEL	2	
14	98503-06018-00	SCREW, PAN HEAD (92503-060180-00)	1	
15	98580-06012-00	SCREW, PAN HEAD	1	
16	97313-08035-00	BOLT, HEXAGON	1	
17	92990-08100-00	WASHER	1	
18	92990-08600-00	WASHER, PLATE	1	
19	95822-06035-00	BOLT, FLANGE	2	
20	97021-06030-00	BOLT	1	
21	92995-06100-00	WASHER, SPRING	1	
22	92990-06600-00	WASHER, PLATE	1	

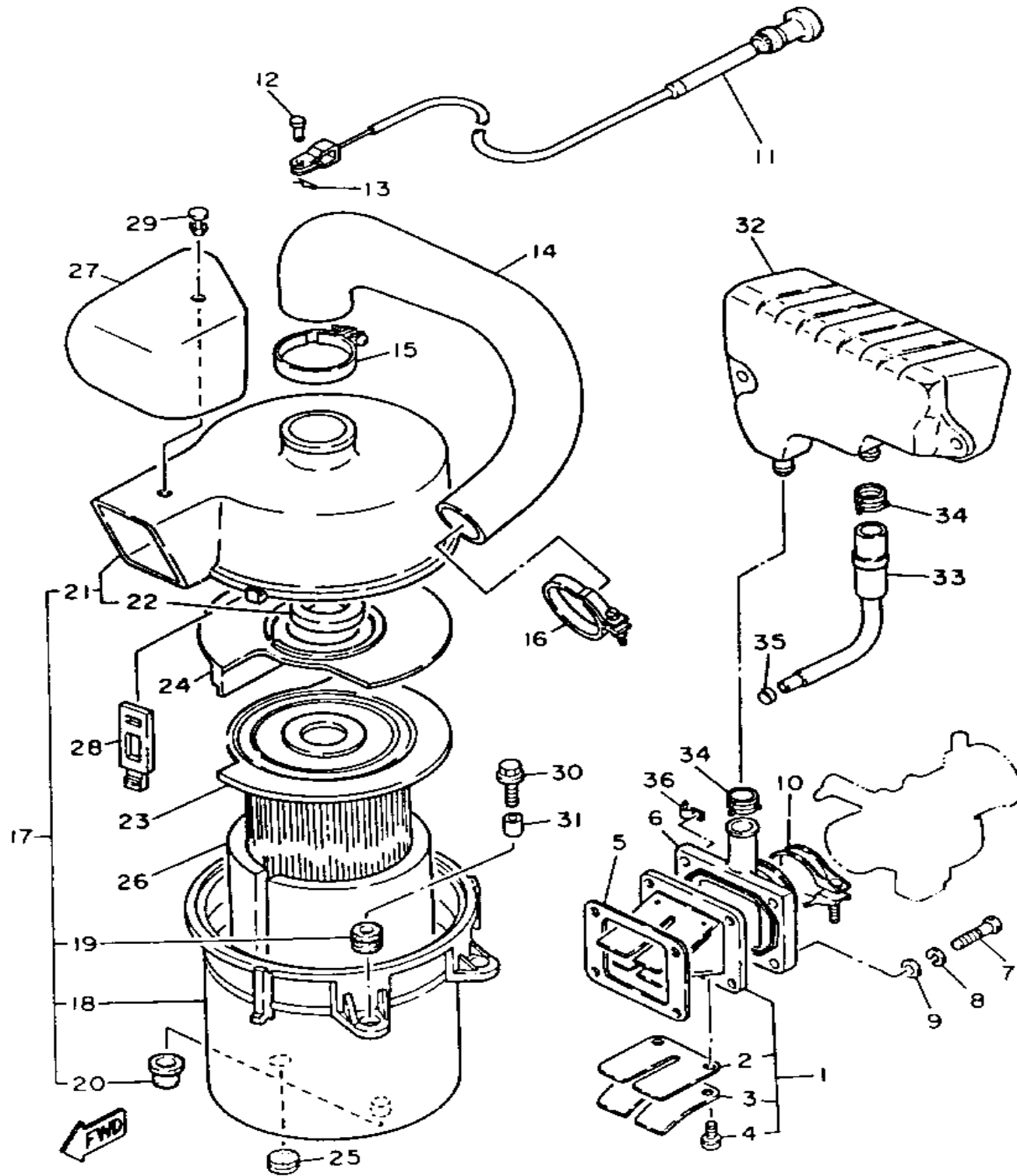
CONTENTS

ACCELERATOR	C4
AIR FILTER	A7-8
AIR SHROUD FAN	A4
ALTERNATE	F4-5
BODY 1	D1-3
BODY 2	D4-6
BODY FITTING	D7-9
BRAKE 1	B11-12,C1
BRAKE 2	C2-3
BUMPER	C11-12
CARBURETOR	A9
CARRIER	D12 ,E1-2
CRANKCASE	A12
CRANKSHAFT PISTON	A3
CYLINDER	A2
ELECTRICAL 1	F1-2
ELECTRICAL 2	F3
EXHAUST	A10-11
FRAME	B2
FRONT SUSPENSION WHEEL	B3-5
FUEL TANK	B9-10
GOVERNOR	C5
HEADLIGHT	E10
INSTRUMENT PANEL	D10
MAGNETO	E8-9
OIL PUMP	A5
OIL TANK	B8
PRIMARY SHEAVE	C6
PUMP DRIVE GEAR	A6
REAR AXLE WHEEL	C10
REAR SHOCKS	B1
SEAT	E3-4
SECONDARY SHEAVE	C7
STARTER PULLEY	E7
STARTING MOTOR	E5-6
STEERING	B6-7
TAILLIGHT	E11
TECHNICAL BULLETINS	ROW K
TRANSMISSION 1	C8-9
URNSIGNAL	E12
WINDSHIELD	D11



J24100-3050

AIR FILTER



J42110-5060

Ref. No.	Part Number	Description	Qty	Remarks
1	10V-13610-01-00	REED VALVE ASSEMBLY (885-13610-00-00)	1	
2	10V-13613-01-00	. REED, VALVE (1L8-13613-00-00)	2	
3	1UA-13616-00-00	. STOPPER, REED VALVE (10V-12616-01-00)	2	
4	98580-03008-00	. SCREW, PAN HEAD	4	
5	3TT-13621-00-00	GASKET, VALVE SEAT	1	
6	J24-13586-00-00	JOINT, CARBURETOR 1	1	
7	97021-06030-00	BOLT	4	
8	92995-06100-00	WASHER, SPRING	4	
9	92990-06600-00	WASHER, PLATE	4	
10	90460-41191-00	CLAMP, HOSE (90460-41146-00)	1	
11	J42-26331-00-00	CABLE, STARTER 1	1	
12	91701-05010-00	PIN, CLEVIS	1	
13	90468-10050-00	CLIP	1	
14	J10-14453-00-00	JOINT, AIR CLNR 1	1	
15	1HX-13575-00-00	BAND	1	
16	90460-53239-00	CLAMP, HOSE	1	
17	J17-14410-00-00	AIR CLEANER ASSEMBLY 1	1	
18	J10-14411-00-00	. CASE, AIR CLEANER 1	1	
19	90480-13238-00	. GROMMET	2	
20	90480-14239-00	. GROMMET	2	
21	J17-14412-00-00	. CAP, CLEANER CASE 1	1	
22	J10-14416-00-00	. . GASKET, AIR CLEANER	1	
23	J10-14450-10-00	ELEMENT ASSY, AIR CLEANER	1	
24	J10-1441F-00-00	PARTN, AIR CLEANER CASE	1	
25	90480-14100-00	GROMMET	1	
26	J10-14417-00-00	COVER 1	1	
27	J17-12644-00-00	DEFLECTOR 3	1	
28	J10-14436-00-00	HOOK	3	

CONTENTS

ACCELERATOR	C4
AIR FILTER	A7-8
AIR SHROUD FAN	A4
ALTERNATE	F4-5
BODY 1	D1-3
BODY 2	D4-6
BODY FITTING	D7-9
BRAKE 1	B11-12,C1
BRAKE 2	C2-3
BUMPER	C11-12
CARBURETOR	A9
CARRIER	D12 ,E1-2
CRANKCASE	A12
CRANKSHAFT PISTON	A3
CYLINDER	A2
ELECTRICAL 1	F1-2
ELECTRICAL 2	F3
EXHAUST	A10-11
FRAME	B2
FRONT SUSPENSION WHEEL	B3-5
FUEL TANK	B9-10
GOVERNOR	C5
HEADLIGHT	E10
INSTRUMENT PANEL	D10
MAGNETO	E8-9
OIL PUMP	A5
OIL TANK	B8
PRIMARY SHEAVE	C6
PUMP DRIVE GEAR	A6
REAR AXLE WHEEL	C10
REAR SHOCKS	B1
SEAT	E3-4
SECONDARY SHEAVE	C7
STARTER PULLEY	E7
STARTING MOTOR	E5-6
STEERING	B6-7
TAILLIGHT	E11
TECHNICAL BULLETINS	ROW K
TRANSMISSION 1	C8-9
URNSIGNAL	E12
WINDSHIELD	D11

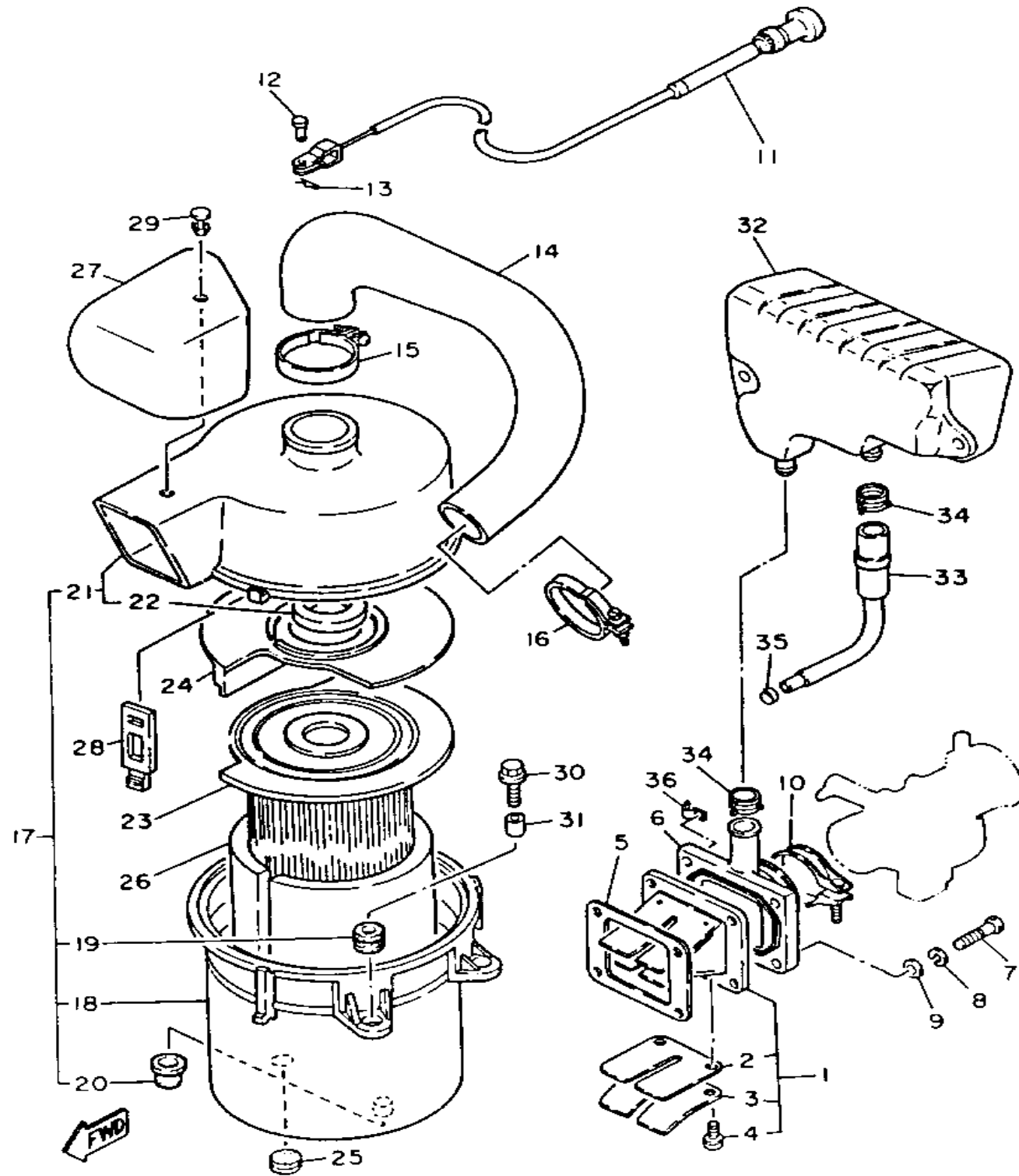
CONTINUED ON NEXT FRAME ►

AIR FILTER

Ref. No.	Part Number	Description	Qty	Remarks
29	90269-65032-00	RIVET, SPECIAL SHAPE	1	
30	90119-06097-00	BOLT, WITH WASHER	2	
31	90387-06026-00	COLLAR	2	
32	J24-13581-00-00	CHAMBER, AIR	1	
33	J24-14388-00-00	VALVE, VAC CONTROL	1	
34	90468-08104-00	CLIP	2	
35	90468-02025-00	CLIP	1	
36	90462-08056-00	CLAMP	1	

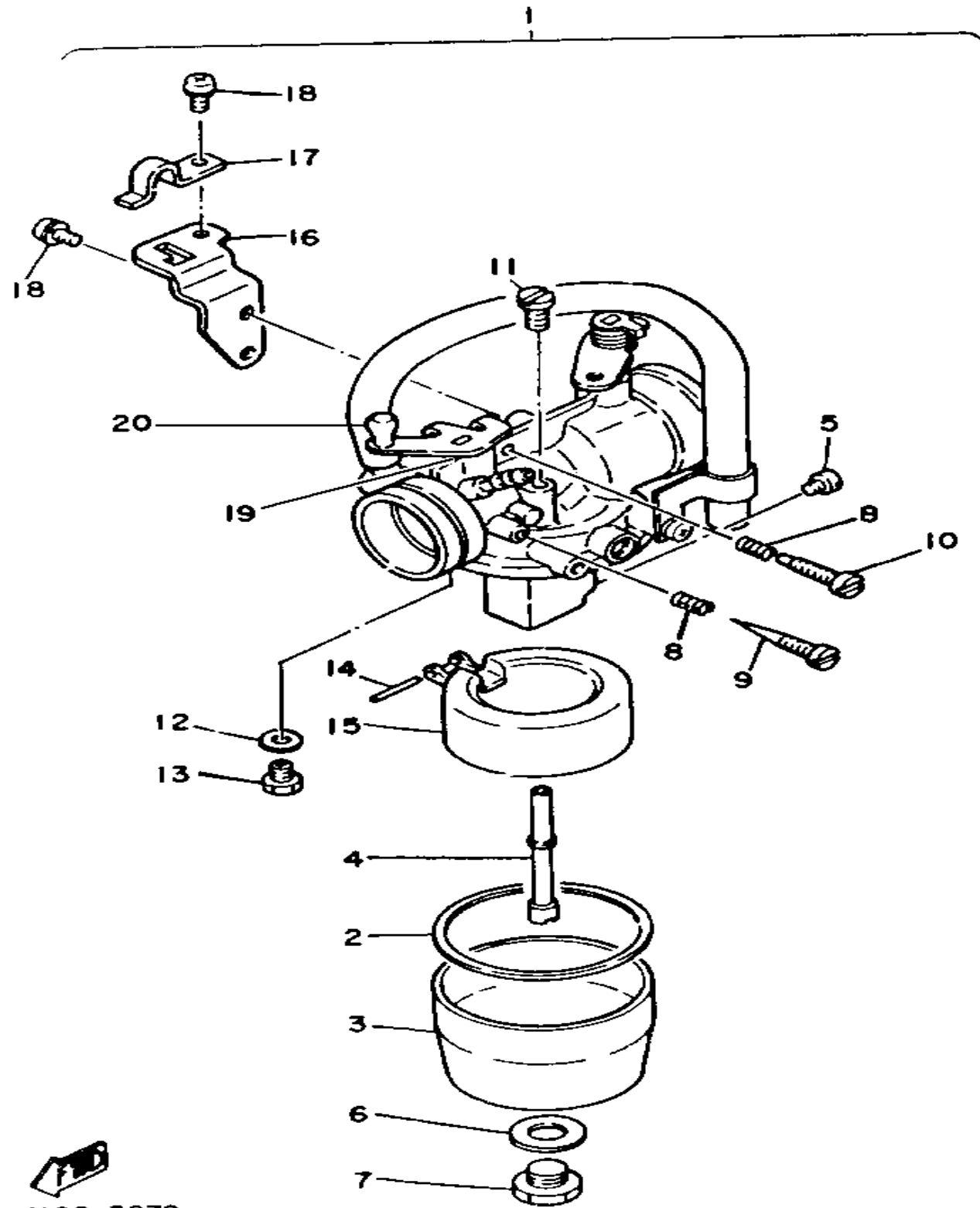
CONTENTS

ACCELERATOR	C4
AIR FILTER	A7-8
AIR SHROUD FAN	A4
ALTERNATE	F4-5
BODY 1	D1-3
BODY 2	D4-6
BODY FITTING	D7-9
BRAKE 1	B11-12,C1
BRAKE 2	C2-3
BUMPER	C11-12
CARBURETOR	A9
CARRIER	D12 ,E1-2
CRANKCASE	A12
CRANKSHAFT PISTON	A3
CYLINDER	A2
ELECTRICAL 1	F1-2
ELECTRICAL 2	F3
EXHAUST	A10-11
FRAME	B2
FRONT SUSPENSION WHEEL	B3-5
FUEL TANK	B9-10
GOVERNOR	C5
HEADLIGHT	E10
INSTRUMENT PANEL	D10
MAGNETO	E8-9
OIL PUMP	A5
OIL TANK	B8
PRIMARY SHEAVE	C6
PUMP DRIVE GEAR	A6
REAR AXLE WHEEL	C10
REAR SHOCKS	B1
SEAT	E3-4
SECONDARY SHEAVE	C7
STARTER PULLEY	E7
STARTING MOTOR	E5-6
STEERING	B6-7
TAILLIGHT	E11
TECHNICAL BULLETINS	ROW K
TRANSMISSION 1	C8-9
URNSIGNAL	E12
WINDSHIELD	D11



J42110-5060

CARBURETOR



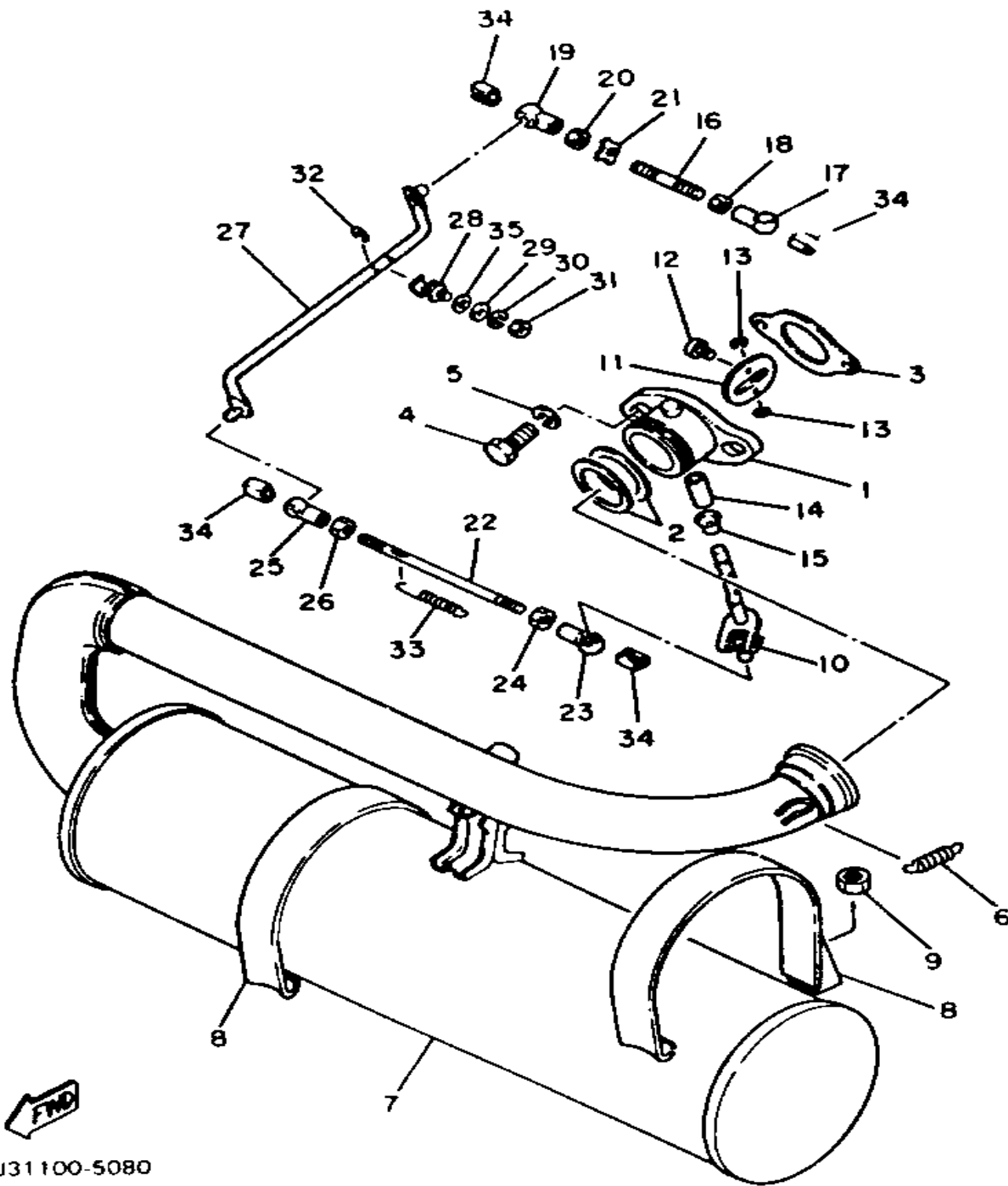
Ref. No.	Part Number	Description	Qty	Remarks
1	J24-14101-01-00	CARBURETOR 1 (J24-14101-00-00)	1	
2	796-14184-00-00	. GASKET, FLOAT CHAMBER	1	
3	796-14181-00-00	. BODY, FLOAT CHMBER 1	1	
4	J17-14141-00-00	. NOZZLE, MAIN	1	
5	3G2-14231-19-00	. JET, POWER (# 95)	1	
6	732-14237-00-00	. GASKET	1	
7	J10-14244-00-00	. HOLDER, NOZZLE	1	
8	620-14212-00-00	. SPRING, PILOT ADJUSTING	2	
9	620-14211-00-00	. SCREW, PILOT ADJUSTING	1	
10	J10-14122-00-00	. SCREW, THROTTLE	1	
11	620-1414J-15-00	. JET, PILOT	1	
12	127-14195-00-00	. WASHER, NEEDLE VALVE	1	
13	353-14190-10-00	. NEEDLE VALVE ASSEMBLY	1	
14	796-14186-00-00	. PIN, FLOAT	1	
15	796-14185-00-00	. FLOAT	1	
16	J10-14581-00-00	. BRACKET	1	
17	J10-14243-00-00	. PLATE	1	
18	98580-03008-00	. SCREW, PAN HEAD	2	
19	J10-14131-00-00	. SPRING, THROTTLE	1	
20	J24-14202-09-00	. THROTTLE SHAFT ASSY	1	

CONTENTS

ACCELERATOR	C4
AIR FILTER	A7-8
AIR SHROUD FAN	A4
ALTERNATE	F4-5
BODY 1	D1-3
BODY 2	D4-6
BODY FITTING	D7-9
BRAKE 1	B11-12,C1
BRAKE 2	C2-3
BUMPER	C11-12
CARBURETOR	A9
CARRIER	D12 ,E1-2
CRANKCASE	A12
CRANKSHAFT PISTON	A3
CYLINDER	A2
ELECTRICAL 1	F1-2
ELECTRICAL 2	F3
EXHAUST	A10-11
FRAME	B2
FRONT SUSPENSION WHEEL	B3-5
FUEL TANK	B9-10
GOVERNOR	C5
HEADLIGHT	E10
INSTRUMENT PANEL	D10
MAGNETO	E8-9
OIL PUMP	A5
OIL TANK	B8
PRIMARY SHEAVE	C6
PUMP DRIVE GEAR	A6
REAR AXLE WHEEL	C10
REAR SHOCKS	B1
SEAT	E3-4
SECONDARY SHEAVE	C7
STARTER PULLEY	E7
STARTING MOTOR	E5-6
STEERING	B6-7
TAILLIGHT	E11
TECHNICAL BULLETINS	ROW K
TRANSMISSION 1	C8-9
URNSIGNAL	E12
WINDSHIELD	D11

J24100-3070

EXHAUST



Ref. No.	Part Number	Description	Qty	Remarks
1	J24-14612-00-00	NUT, RING	1	
2	888-14633-00-00	RING	2	
3	J10-14613-00-00	GASKET, EXST PIPE	1	
4	97013-08025-00	BOLT	2	
5	92990-08100-00	WASHER	2	
6	90506-20074-00	SPRING, TENSION	2	
7	J24-14610-00-00	EXHAUST PIPE ASSEMBLY L	1	
8	J10-14715-01-00	BAND, MUFFLER	2	
9	95611-08100-00	NUT, U	2	
10	J10-14813-01-00	SHAFT, BUTTERFLY	1	
11	J10-14812-02-00	VALVE, BUTTERFLY	1	
12	98580-03008-00	SCREW, PAN HEAD	2	
13	99080-05600-00	CIRCLIP	2	
14	J10-14815-00-00	GASKET	1	
15	J10-14818-00-00	COVER, GASKET	1	
16	J10-14836-00-00	ROD	1	
17	J10-14833-01-00	JOINT	1	
18	95301-05700-00	NUT (95302-05700-00)	1	
19	J10-14864-01-00	JOINT	1	
20	90170-05190-00	NUT, HEXAGON	1	
21	J24-14842-00-00	PLATE, CON ROD	1	
22	J10-14837-00-00	CONNECTOR, ROD	1	
23	J10-14833-01-00	JOINT	1	
24	95301-05700-00	NUT (95302-05700-00)	1	
25	J10-14864-01-00	JOINT	1	
26	90170-05190-00	NUT, HEXAGON	1	
27	J10-14802-00-00	CONNECTER COMP	1	
28	90464-07034-00	CLAMP	2	
29	92901-05600-00	WASHER, PLATE	2	
30	92990-05100-00	WASHER, SPRING	2	

CONTENTS

ACCELERATOR	C4
AIR FILTER	A7-8
AIR SHROUD FAN	A4
ALTERNATE	F4-5
BODY 1	D1-3
BODY 2	D4-6
BODY FITTING	D7-9
BRAKE 1	B11-12,C1
BRAKE 2	C2-3
BUMPER	C11-12
CARBURETOR	A9
CARRIER	D12 ,E1-2
CRANKCASE	A12
CRANKSHAFT PISTON	A3
CYLINDER	A2
ELECTRICAL 1	F1-2
ELECTRICAL 2	F3
EXHAUST	A10-11
FRAME	B2
FRONT SUSPENSION WHEEL	B3-5
FUEL TANK	B9-10
GOVERNOR	C5
HEADLIGHT	E10
INSTRUMENT PANEL	D10
MAGNETO	E8-9
OIL PUMP	A5
OIL TANK	B8
PRIMARY SHEAVE	C6
PUMP DRIVE GEAR	A6
REAR AXLE WHEEL	C10
REAR SHOCKS	B1
SEAT	E3-4
SECONDARY SHEAVE	C7
STARTER PULLEY	E7
STARTING MOTOR	E5-6
STEERING	B6-7
TAILLIGHT	E11
TECHNICAL BULLETINS	ROW K
TRANSMISSION 1	C8-9
URNSIGNAL	E12
WINDSHIELD	D11

CONTINUED ON NEXT FRAME ►

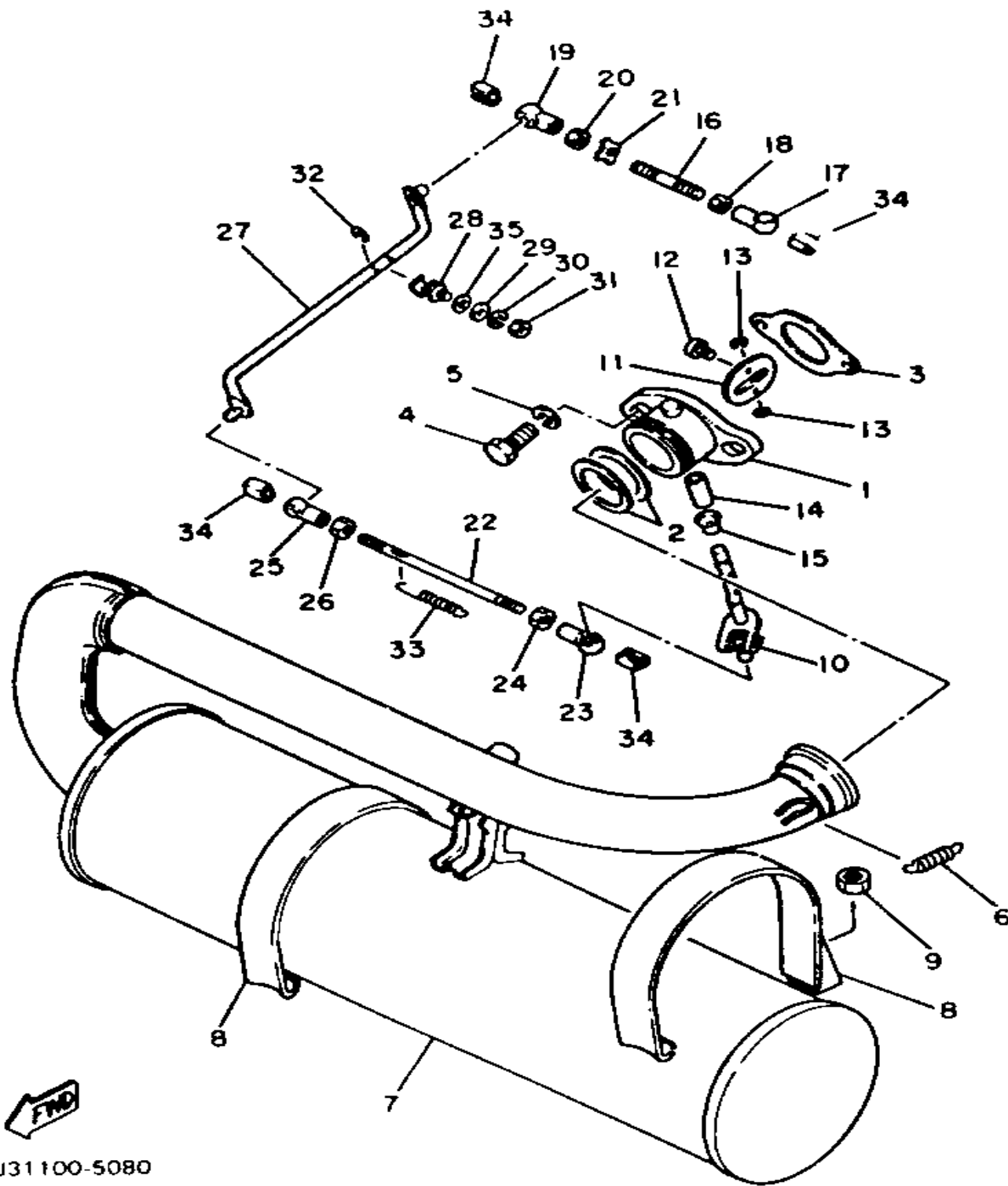
J31100-5080

EXHAUST

Ref. No.	Part Number	Description	Qty	Remarks
31	95301-05600-00	NUT	2	
32	99009-06600-00	CIRCLIP	2	
33	90506-06201-00	SPRING, TENSION	1	
34	J24-14846-00-00	BOOT, ACTUATOR	4	
35	92990-05200-00	WASHER, PLAIN	2	

CONTENTS

ACCELERATOR	C4
AIR FILTER	A7-8
AIR SHROUD FAN	A4
ALTERNATE	F4-5
BODY 1	D1-3
BODY 2	D4-6
BODY FITTING	D7-9
BRAKE 1	B11-12,C1
BRAKE 2	C2-3
BUMPER	C11-12
CARBURETOR	A9
CARRIER	D12 ,E1-2
CRANKCASE	A12
CRANKSHAFT PISTON	A3
CYLINDER	A2
ELECTRICAL 1	F1-2
ELECTRICAL 2	F3
EXHAUST	A10-11
FRAME	B2
FRONT SUSPENSION WHEEL	B3-5
FUEL TANK	B9-10
GOVERNOR	C5
HEADLIGHT	E10
INSTRUMENT PANEL	D10
MAGNETO	E8-9
OIL PUMP	A5
OIL TANK	B8
PRIMARY SHEAVE	C6
PUMP DRIVE GEAR	A6
REAR AXLE WHEEL	C10
REAR SHOCKS	B1
SEAT	E3-4
SECONDARY SHEAVE	C7
STARTER PULLEY	E7
STARTING MOTOR	E5-6
STEERING	B6-7
TAILLIGHT	E11
TECHNICAL BULLETINS	ROW K
TRANSMISSION 1	C8-9
URNSIGNAL	E12
WINDSHIELD	D11



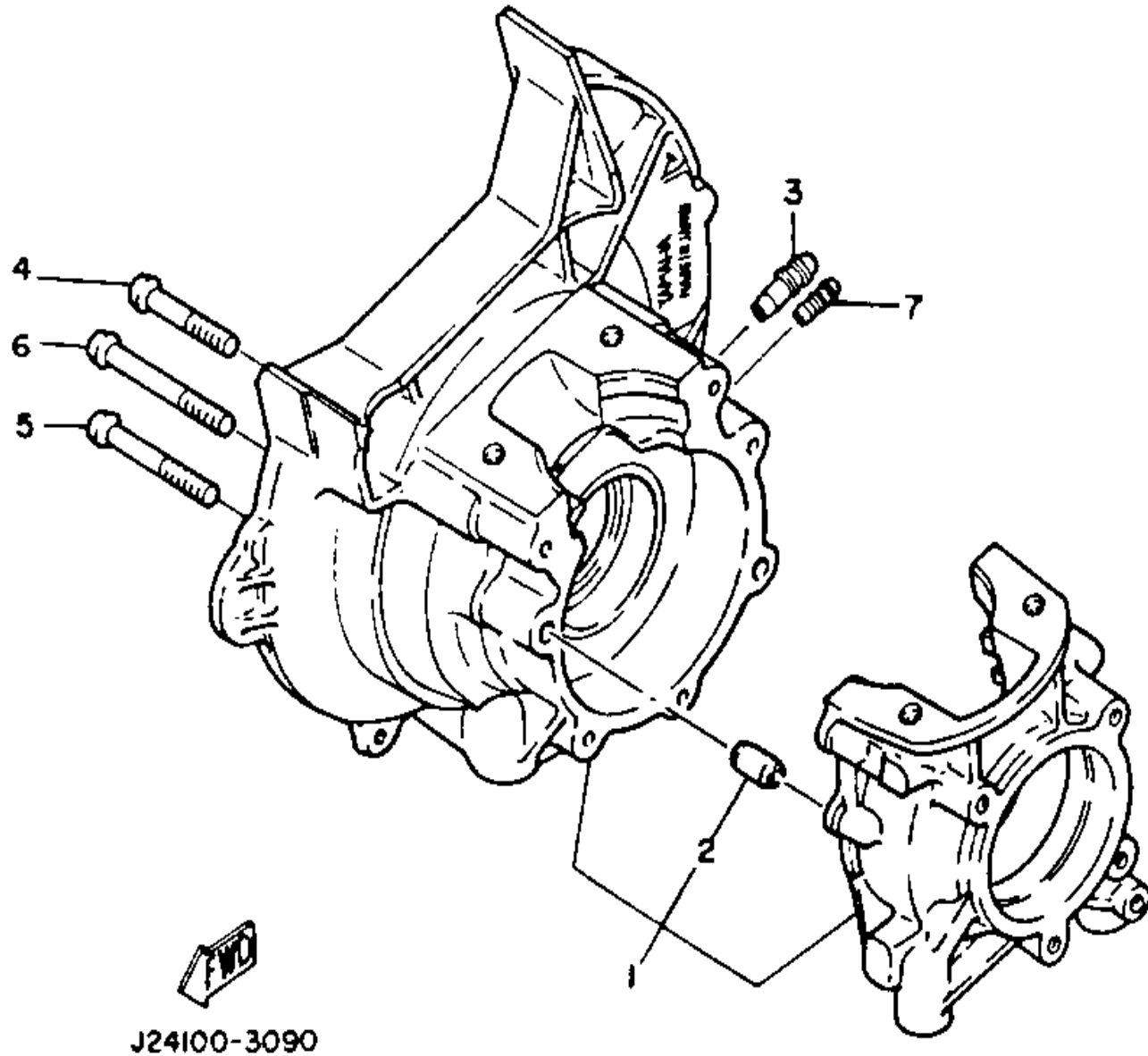
J31100-5080

CRANKCASE

Ref. No.	Part Number	Description	Qty	Remarks
1	J24-15100-00-00	CRANKCASE ASSEMBLY	1	
2	99530-10014-00	. PIN, DOWEL	2	
3	J38-11116-00-00	JOINT, BREATHER	1	
4	92503-06045-00	SCREW, PAN HEAD	5	
5	90157-06072-00	SCREW, PAN HEAD	1	
6	98580-06055-00	SCREW, PAN HEAD (92501-06065-00)	1	
7	18A-15138-00-00	NOZZLE 1	1	

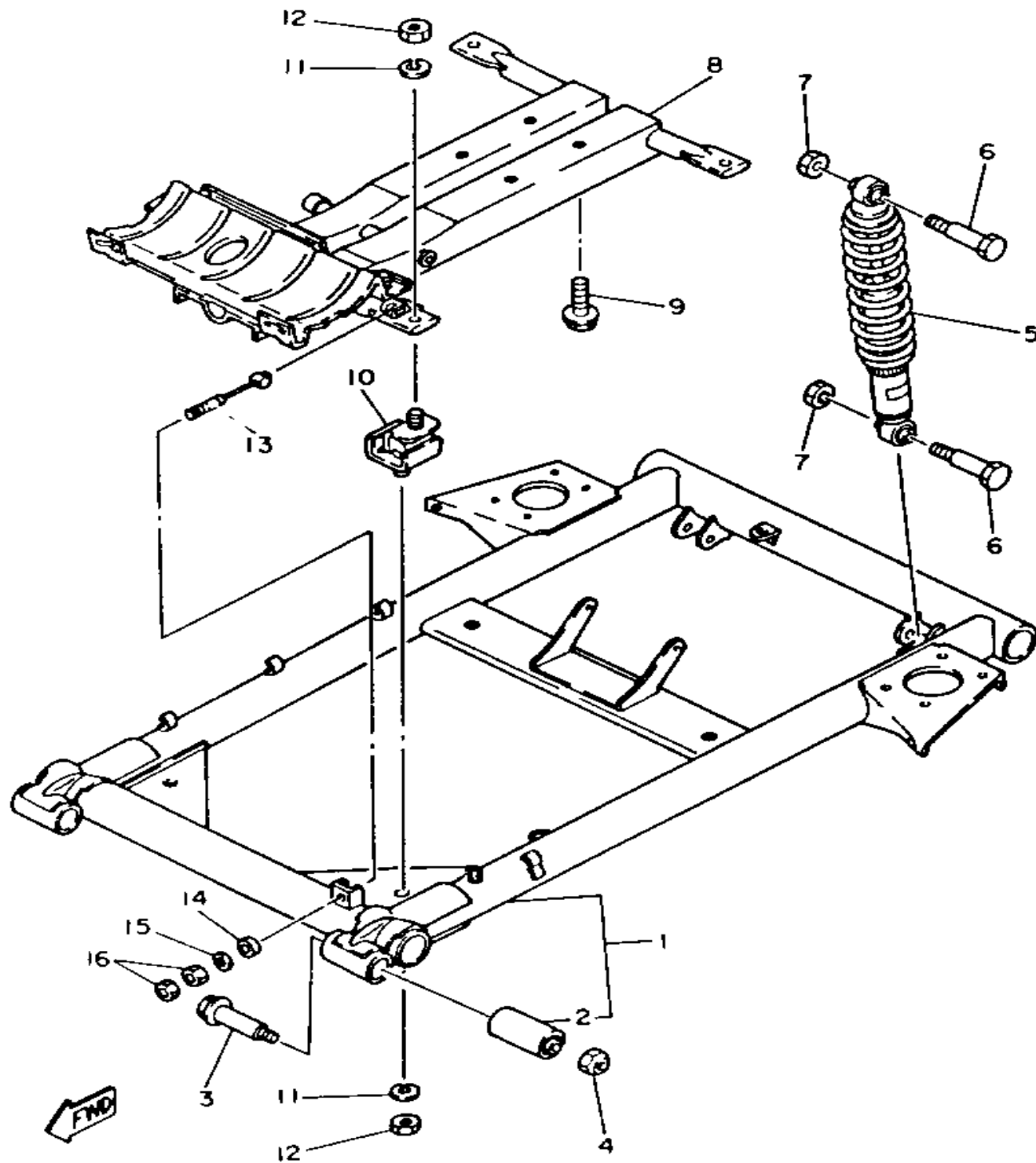
CONTENTS

ACCELERATOR	C4
AIR FILTER	A7-8
AIR SHROUD FAN	A4
ALTERNATE	F4-5
BODY 1	D1-3
BODY 2	D4-6
BODY FITTING	D7-9
BRAKE 1	B11-12,C1
BRAKE 2	C2-3
BUMPER	C11-12
CARBURETOR	A9
CARRIER	D12 ,E1-2
CRANKCASE	A12
CRANKSHAFT PISTON	A3
CYLINDER	A2
ELECTRICAL 1	F1-2
ELECTRICAL 2	F3
EXHAUST	A10-11
FRAME	B2
FRONT SUSPENSION WHEEL	B3-5
FUEL TANK	B9-10
GOVERNOR	C5
HEADLIGHT	E10
INSTRUMENT PANEL	D10
MAGNETO	E8-9
OIL PUMP	A5
OIL TANK	B8
PRIMARY SHEAVE	C6
PUMP DRIVE GEAR	A6
REAR AXLE WHEEL	C10
REAR SHOCKS	B1
SEAT	E3-4
SECONDARY SHEAVE	C7
STARTER PULLEY	E7
STARTING MOTOR	E5-6
STEERING	B6-7
TAILLIGHT	E11
TECHNICAL BULLETINS	ROW K
TRANSMISSION 1	C8-9
URNSIGNAL	E12
WINDSHIELD	D11



J24100-3090

REAR SHOCKS



Ref. No.	Part Number	Description	Qty	Remarks
1	J42-Y2210-00-00	REAR ARM COMP.	1	
2	J10-22123-00-00	. BUSH 1	2	
3	90105-10359-00	BOLT, WASHER BASED	2	
4	90185-10130-00	NUT, SELF-LOCKING	2	
5	J46-22210-00-00	SHOCK ABSORBER ASSY, REAR (J42-22210-00-00)	2	
6	97313-10050-00	BOLT, HEXAGON (676)	4	
7	95601-10100-00	NUT, U (95602-10100-00)	4	
8	J17-21411-00-00	BRACKET, ENGINE 1	1	
9	95822-10025-00	BOLT, FLANGE	4	
10	J10-21486-00-00	DAMPER 2	4	
11	92990-10100-00	WASHER, SPRING	8	
12	95303-10700-00	NUT	8	
13	J31-2217J-01-00	TENSIONER 1	1	
14	J17-2214F-00-00	DAMPER 1	1	
15	90201-06778-00	WASHER, PLATE	1	
16	95380-06600-00	NUT	2	

CONTENTS

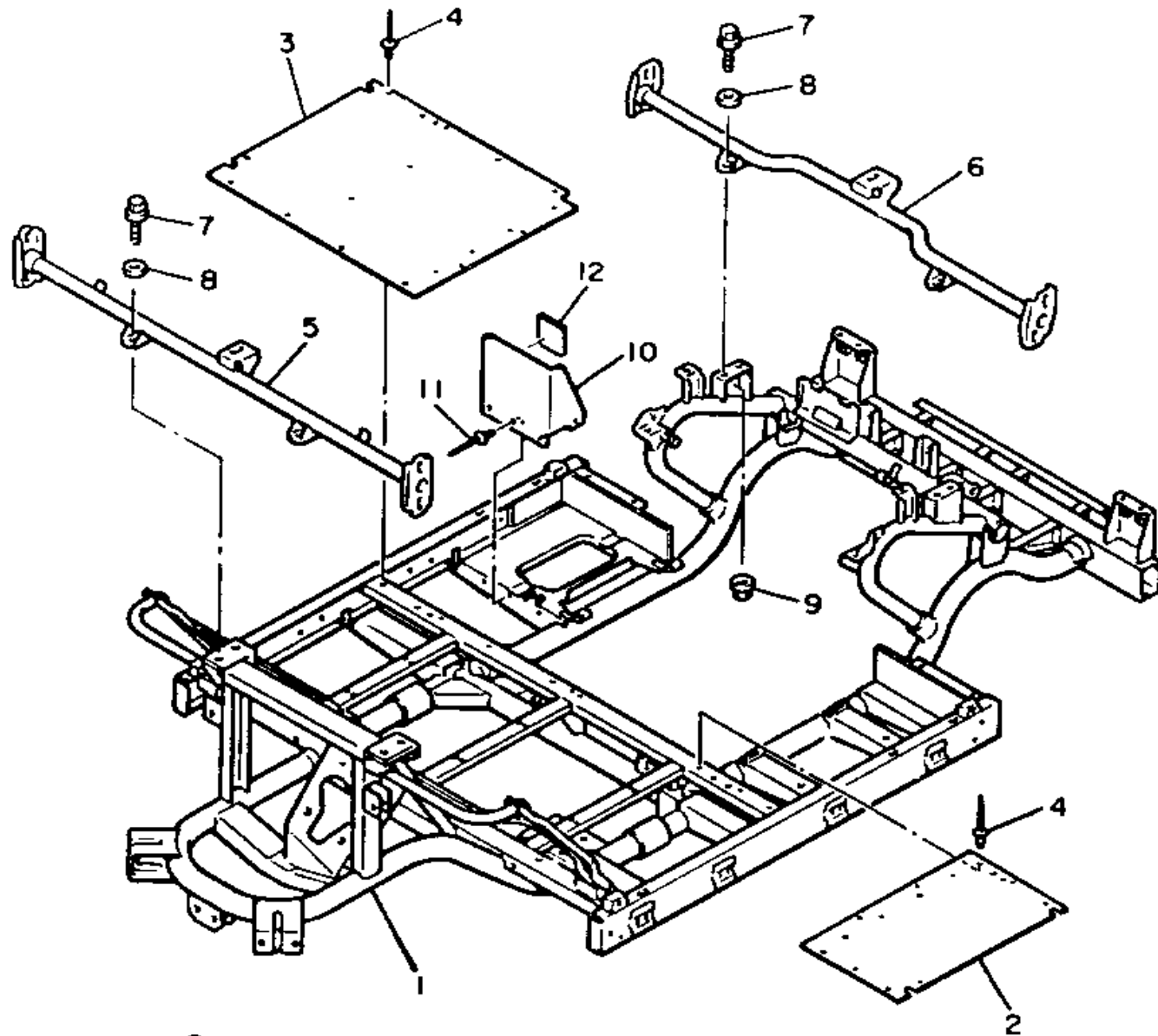
ACCELERATOR	C4
AIR FILTER	A7-8
AIR SHROUD FAN	A4
ALTERNATE	F4-5
BODY 1	D1-3
BODY 2	D4-6
BODY FITTING	D7-9
BRAKE 1	B11-12,C1
BRAKE 2	C2-3
BUMPER	C11-12
CARBURETOR	A9
CARRIER	D12 ,E1-2
CRANKCASE	A12
CRANKSHAFT PISTON	A3
CYLINDER	A2
ELECTRICAL 1	F1-2
ELECTRICAL 2	F3
EXHAUST	A10-11
FRAME	B2
FRONT SUSPENSION WHEEL	B3-5
FUEL TANK	B9-10
GOVERNOR	C5
HEADLIGHT	E10
INSTRUMENT PANEL	D10
MAGNETO	E8-9
OIL PUMP	A5
OIL TANK	B8
PRIMARY SHEAVE	C6
PUMP DRIVE GEAR	A6
REAR AXLE WHEEL	C10
REAR SHOCKS	B1
SEAT	E3-4
SECONDARY SHEAVE	C7
STARTER PULLEY	E7
STARTING MOTOR	E5-6
STEERING	B6-7
TAILLIGHT	E11
TECHNICAL BULLETINS	ROW K
TRANSMISSION 1	C8-9
URNSIGNAL	E12
WINDSHIELD	D11

FRAME

Ref. No.	Part Number	Description	Qty	Remarks
1	J42-22501-00-00	FRAME COMP	1	
2	J42-22571-00-00	PANEL 1	1	
3	J42-22572-00-00	PANEL 2	1	
4	90267-40054-00	RIVET, BLIND	18	
5	J42-2254J-01-00	SUPPORT, SIDE PANEL	1	
6	J42-2254K-00-00	SUPPORT, SIDE PANEL 2	1	
7	95821-08020-00	BOLT, FLANGE (95811-08020-00)	8	
8	90201-084K3-00	WASHER, PLATE	8	
9	95701-08500-00	NUT, FLANGE	4	
10	J24-2255V-00-00	PLATE, BATT COVER	1	
11	90267-32063-00	RIVET, BLIND	4	
12	J24-2255Y-00-00	PAD, BATTERY COVER	1	

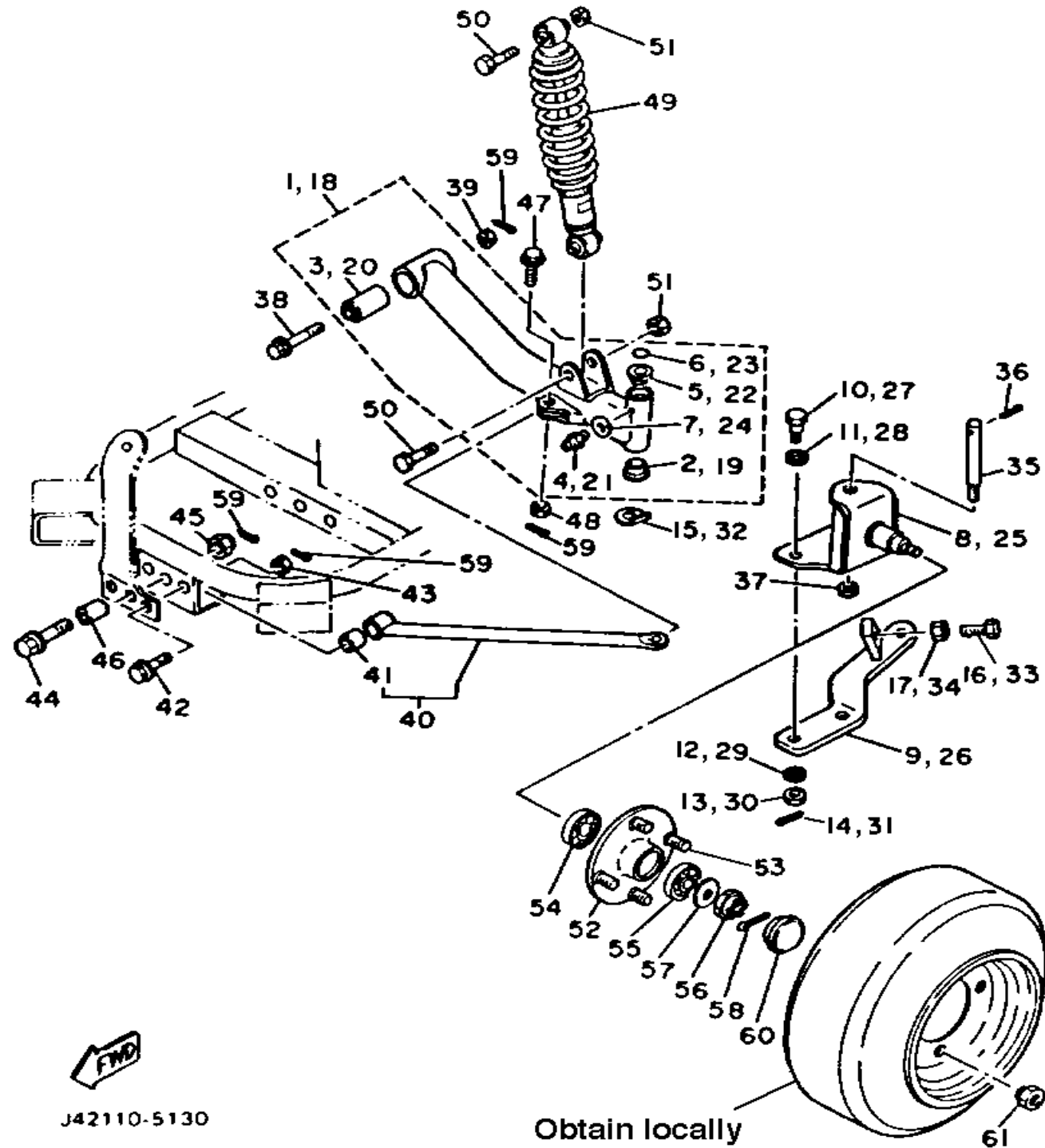
CONTENTS

ACCELERATOR	C4
AIR FILTER	A7-8
AIR SHROUD FAN	A4
ALTERNATE	F4-5
BODY 1	D1-3
BODY 2	D4-6
BODY FITTING	D7-9
BRAKE 1	B11-12,C1
BRAKE 2	C2-3
BUMPER	C11-12
CARBURETOR	A9
CARRIER	D12 ,E1-2
CRANKCASE	A12
CRANKSHAFT PISTON	A3
CYLINDER	A2
ELECTRICAL 1	F1-2
ELECTRICAL 2	F3
EXHAUST	A10-11
FRAME	B2
FRONT SUSPENSION WHEEL	B3-5
FUEL TANK	B9-10
GOVERNOR	C5
HEADLIGHT	E10
INSTRUMENT PANEL	D10
MAGNETO	E8-9
OIL PUMP	A5
OIL TANK	B8
PRIMARY SHEAVE	C6
PUMP DRIVE GEAR	A6
REAR AXLE WHEEL	C10
REAR SHOCKS	B1
SEAT	E3-4
SECONDARY SHEAVE	C7
STARTER PULLEY	E7
STARTING MOTOR	E5-6
STEERING	B6-7
TAILLIGHT	E11
TECHNICAL BULLETINS	ROW K
TRANSMISSION 1	C8-9
URNSIGNAL	E12
WINDSHIELD	D11



J42110-5120

FRONT SUSPENSION WHEEL



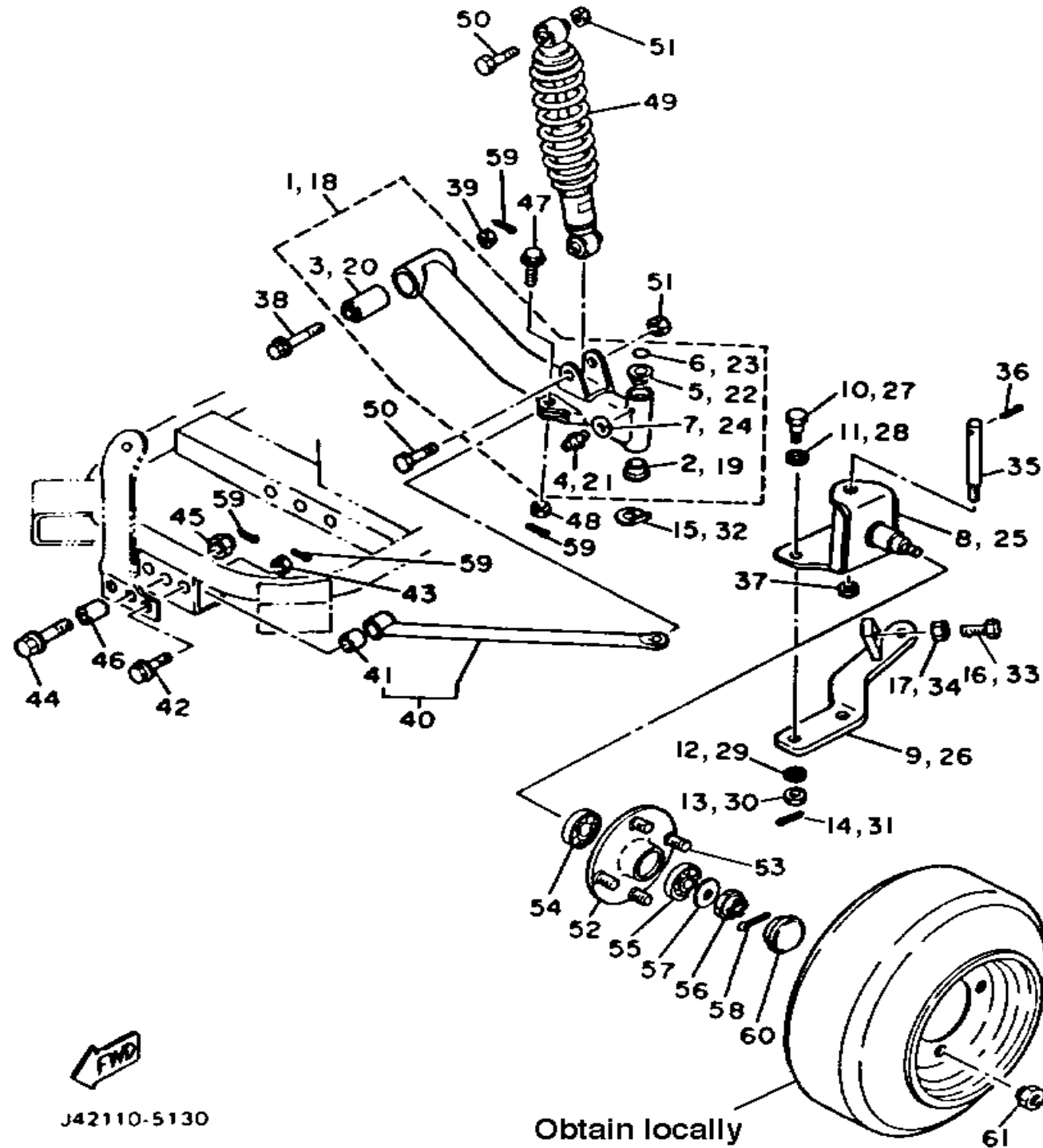
Ref. No.	Part Number	Description	Qty	Remarks
1	J42-W2351-00-00	FRONT LOWER ARM COMP. (L.H)	1	
2	90381-15032-00	. BUSH, SOLID	1	
3	J10-23526-00-00	. BUSH	1	
4	93700-06004-00	. NIPPLE, GREASE	1	
5	90381-15040-00	. BUSH, SOLID	1	
6	93210-15566-00	. O-RING	1	
7	90201-067F9-00	. WASHER, PLATE	1	
8	J17-23510-00-00	KNUCKLE, STEERING 1	1	
9	J11-23512-00-00	ARM, KNUCKLE 1	1	
10	90109-10643-00	BOLT	2	
11	90201-121F0-00	WASHER, PLATE	2	
12	90201-105F2-00	WASHER, PLATE	2	
13	90171-10035-00	NUT, CASTLE	2	
14	91490-25030-00	PIN, COTTER	2	
15	90214-16027-00	WASHER, CLAW	1	
16	97313-08030-00	BOLT, HEXAGON	1	
17	95303-08700-00	NUT	1	
18	J42-W2352-00-00	FRONT LOWER ARM COMP (R.H)	1	
19	90381-15032-00	. BUSH, SOLID	1	
20	J10-23526-00-00	. BUSH	1	
21	93700-06004-00	. NIPPLE, GREASE	1	
22	90381-15040-00	. BUSH, SOLID	1	
23	93210-15566-00	. O-RING	1	
24	90201-067F9-00	. WASHER, PLATE	1	
25	J17-23510-00-00	KNUCKLE, STEERING 1	1	
26	J11-23522-00-00	ARM, KNUCKLE 2	1	
27	90109-10643-00	BOLT	2	
28	90201-121F0-00	WASHER, PLATE	2	
29	90201-105F2-00	WASHER, PLATE	2	

CONTENTS

ACCELERATOR	C4
AIR FILTER	A7-8
AIR SHROUD FAN	A4
ALTERNATE	F4-5
BODY 1	D1-3
BODY 2	D4-6
BODY FITTING	D7-9
BRAKE 1	B11-12,C1
BRAKE 2	C2-3
BUMPER	C11-12
CARBURETOR	A9
CARRIER	D12 ,E1-2
CRANKCASE	A12
CRANKSHAFT PISTON	A3
CYLINDER	A2
ELECTRICAL 1	F1-2
ELECTRICAL 2	F3
EXHAUST	A10-11
FRAME	B2
FRONT SUSPENSION WHEEL	B3-5
FUEL TANK	B9-10
GOVERNOR	C5
HEADLIGHT	E10
INSTRUMENT PANEL	D10
MAGNETO	E8-9
OIL PUMP	A5
OIL TANK	B8
PRIMARY SHEAVE	C6
PUMP DRIVE GEAR	A6
REAR AXLE WHEEL	C10
REAR SHOCKS	B1
SEAT	E3-4
SECONDARY SHEAVE	C7
STARTER PULLEY	E7
STARTING MOTOR	E5-6
STEERING	B6-7
TAILLIGHT	E11
TECHNICAL BULLETINS	ROW K
TRANSMISSION 1	C8-9
URNSIGNAL	E12
WINDSHIELD	D11

CONTINUED ON NEXT FRAME >

FRONT SUSPENSION WHEEL



Ref. No.	Part Number	Description	Qty	Remarks
30	90171-10035-00	NUT, CASTLE	2	
31	91490-25030-00	PIN, COTTER	2	
32	90214-16027-00	WASHER, CLAW	1	
33	97313-08030-00	BOLT, HEXAGON	1	
34	95303-08700-00	NUT	1	
35	J10-23516-02-00	KING PIN, STRG KNKL	2	
36	91401-30030-00	PIN, COTTER (91401-30025-00)	2	
37	95701-12300-00	NUT, NYLON (95702-12300-00)	2	
38	90105-10224-00	BOLT, WASHER BASED	2	
39	95601-10200-00	NUT, SELF-LOCKING	2	
40	J17-W2355-00-00	ROD, TENSION	2	
41	J10-23583-01-00	. BUSH	1	
42	90105-08225-00	BOLT, WASHER BASED	2	
43	95601-08200-00	NUT, U	2	
44	95812-12050-00	BOLT, FLANGE	1	
45	95701-12500-00	NUT, FLANGE	1	
46	90387-137F6-00	COLLAR	1	
47	90102-12046-00	BOLT, WITH HOLE	2	
48	95601-12200-00	NUT, SELF-LOCKING	2	
49	J42-23350-00-00	SHOCK ABSORBER ASSEMBLY (J10-23350-00) ...	4	
50	97313-10050-00	BOLT, HEXAGON (676)	4	
51	95612-10100-00	NUT, U	4	
52	J17-W2511-00-00	HUB, FRONT	2	
53	90114-12003-00	. BOLT, RIBBED NECK	8	
54	93306-00511-00	BEARING	2	
55	93306-20437-00	BEARING	2	
56	95301-14900-00	NUT, SLOTTED	2	
57	90209-14219-00	WASHER, SPECIAL SHAPE ...	2	
58	91401-30030-00	PIN, COTTER (91401-30025-00)	2	

CONTENTS

ACCELERATOR	C4
AIR FILTER	A7-8
AIR SHROUD FAN	A4
ALTERNATE	F4-5
BODY 1	D1-3
BODY 2	D4-6
BODY FITTING	D7-9
BRAKE 1	B11-12,C1
BRAKE 2	C2-3
BUMPER	C11-12
CARBURETOR	A9
CARRIER	D12 ,E1-2
CRANKCASE	A12
CRANKSHAFT PISTON	A3
CYLINDER	A2
ELECTRICAL 1	F1-2
ELECTRICAL 2	F3
EXHAUST	A10-11
FRAME	B2
FRONT SUSPENSION WHEEL	B3-5
FUEL TANK	B9-10
GOVERNOR	C5
HEADLIGHT	E10
INSTRUMENT PANEL	D10
MAGNETO	E8-9
OIL PUMP	A5
OIL TANK	B8
PRIMARY SHEAVE	C6
PUMP DRIVE GEAR	A6
REAR AXLE WHEEL	C10
REAR SHOCKS	B1
SEAT	E3-4
SECONDARY SHEAVE	C7
STARTER PULLEY	E7
STARTING MOTOR	E5-6
STEERING	B6-7
TAILLIGHT	E11
TECHNICAL BULLETINS	ROW K
TRANSMISSION 1	C8-9
URNSIGNAL	E12
WINDSHIELD	D11

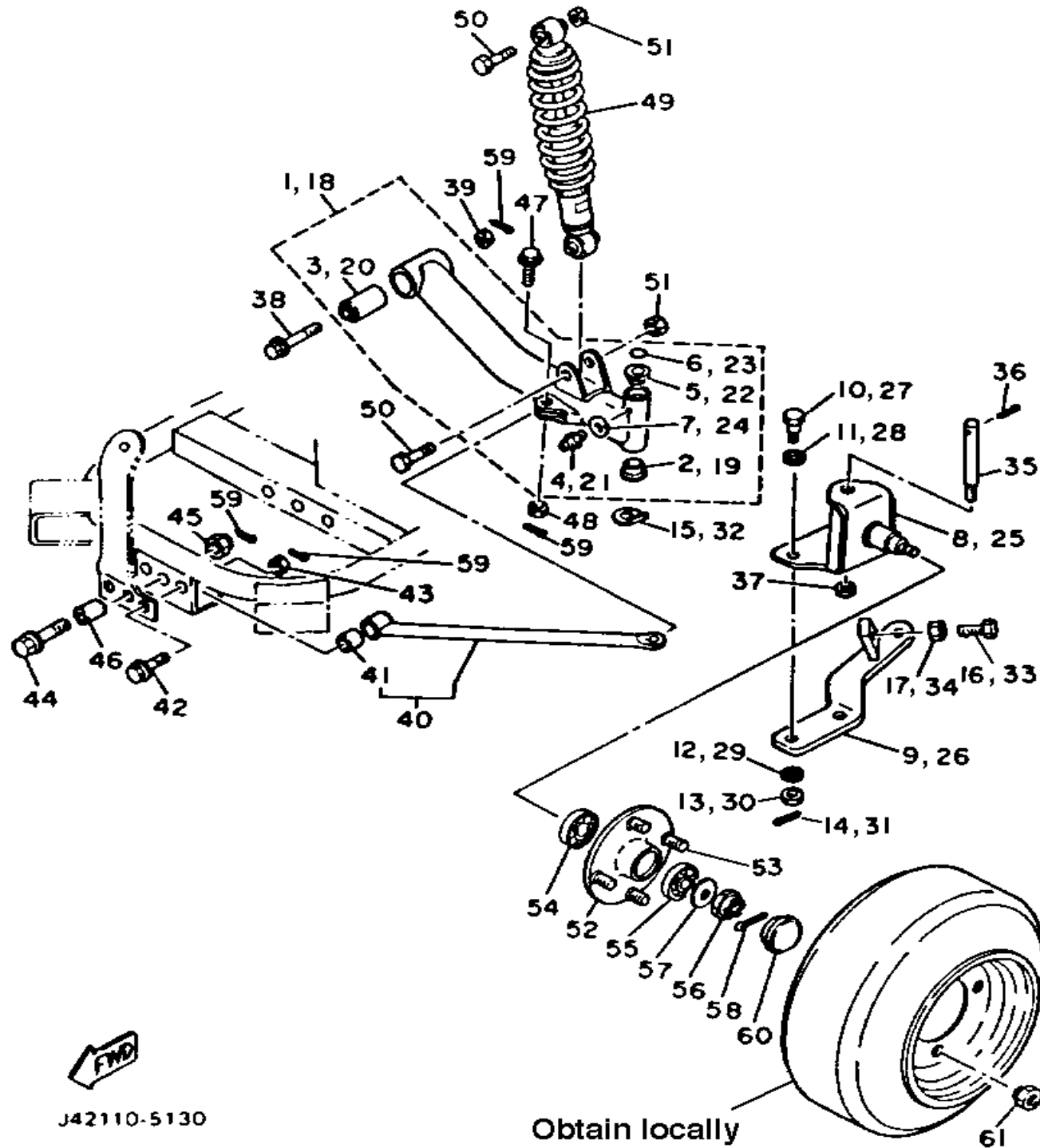
CONTINUED ON NEXT FRAME ►

FRONT SUSPENSION WHEEL

Ref. No.	Part Number	Description	Qty	Remarks
59	91490-25030-00	PIN, COTTER	6	
60	J17-25118-00-00	COVER, HUB DUST	2	
61	90179-12262-00	NUT	8	

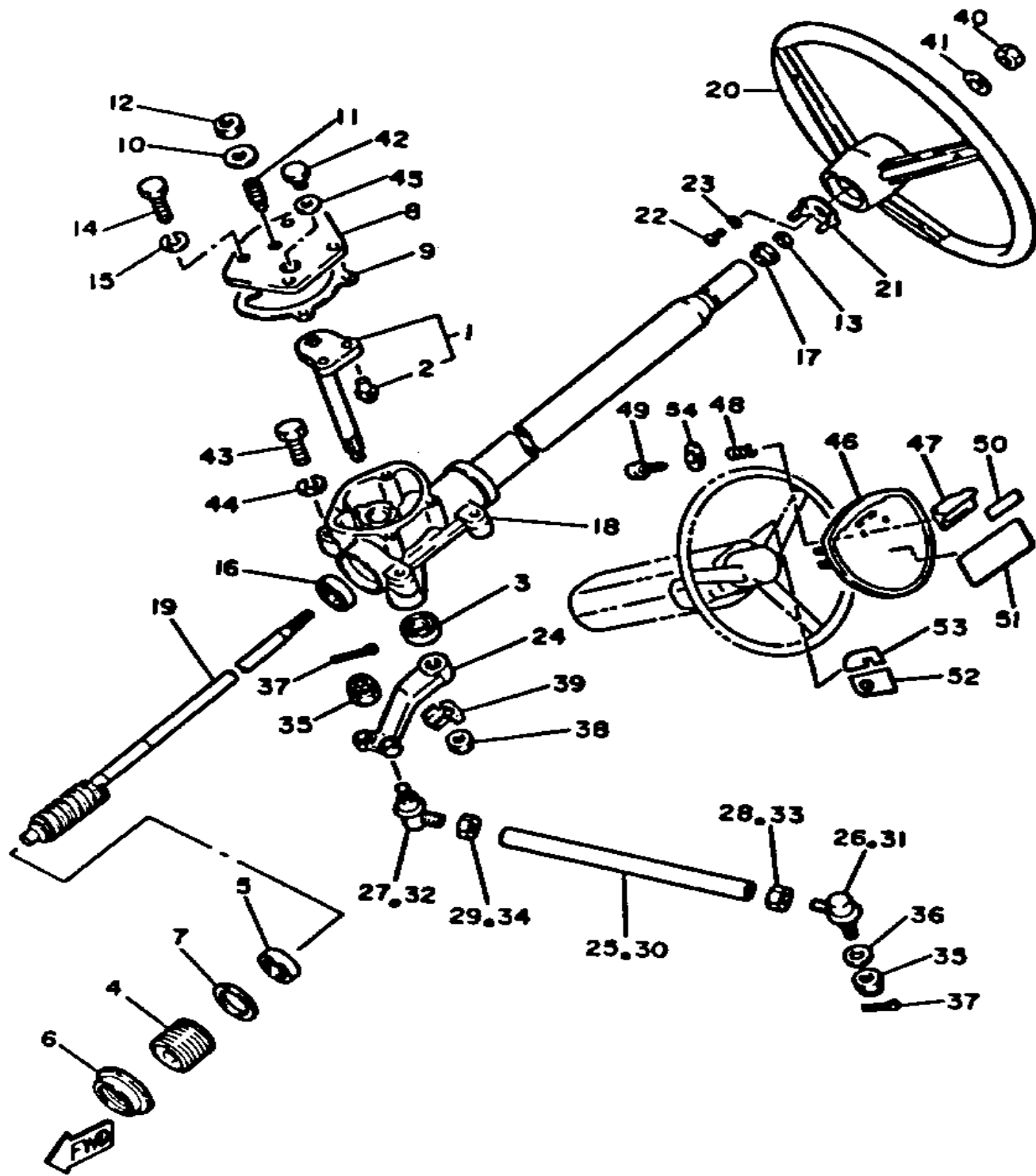
CONTENTS

ACCELERATOR	C4
AIR FILTER	A7-8
AIR SHROUD FAN	A4
ALTERNATE	F4-5
BODY 1	D1-3
BODY 2	D4-6
BODY FITTING	D7-9
BRAKE 1	B11-12,C1
BRAKE 2	C2-3
BUMPER	C11-12
CARBURETOR	A9
CARRIER	D12 ,E1-2
CRANKCASE	A12
CRANKSHAFT PISTON	A3
CYLINDER	A2
ELECTRICAL 1	F1-2
ELECTRICAL 2	F3
EXHAUST	A10-11
FRAME	B2
FRONT SUSPENSION WHEEL	B3-5
FUEL TANK	B9-10
GOVERNOR	C5
HEADLIGHT	E10
INSTRUMENT PANEL	D10
MAGNETO	E8-9
OIL PUMP	A5
OIL TANK	B8
PRIMARY SHEAVE	C6
PUMP DRIVE GEAR	A6
REAR AXLE WHEEL	C10
REAR SHOCKS	B1
SEAT	E3-4
SECONDARY SHEAVE	C7
STARTER PULLEY	E7
STARTING MOTOR	E5-6
STEERING	B6-7
TAILLIGHT	E11
TECHNICAL BULLETINS	ROW K
TRANSMISSION 1	C8-9
URNSIGNAL	E12
WINDSHIELD	D11



J42110-5130

STEERING



J42110-5140

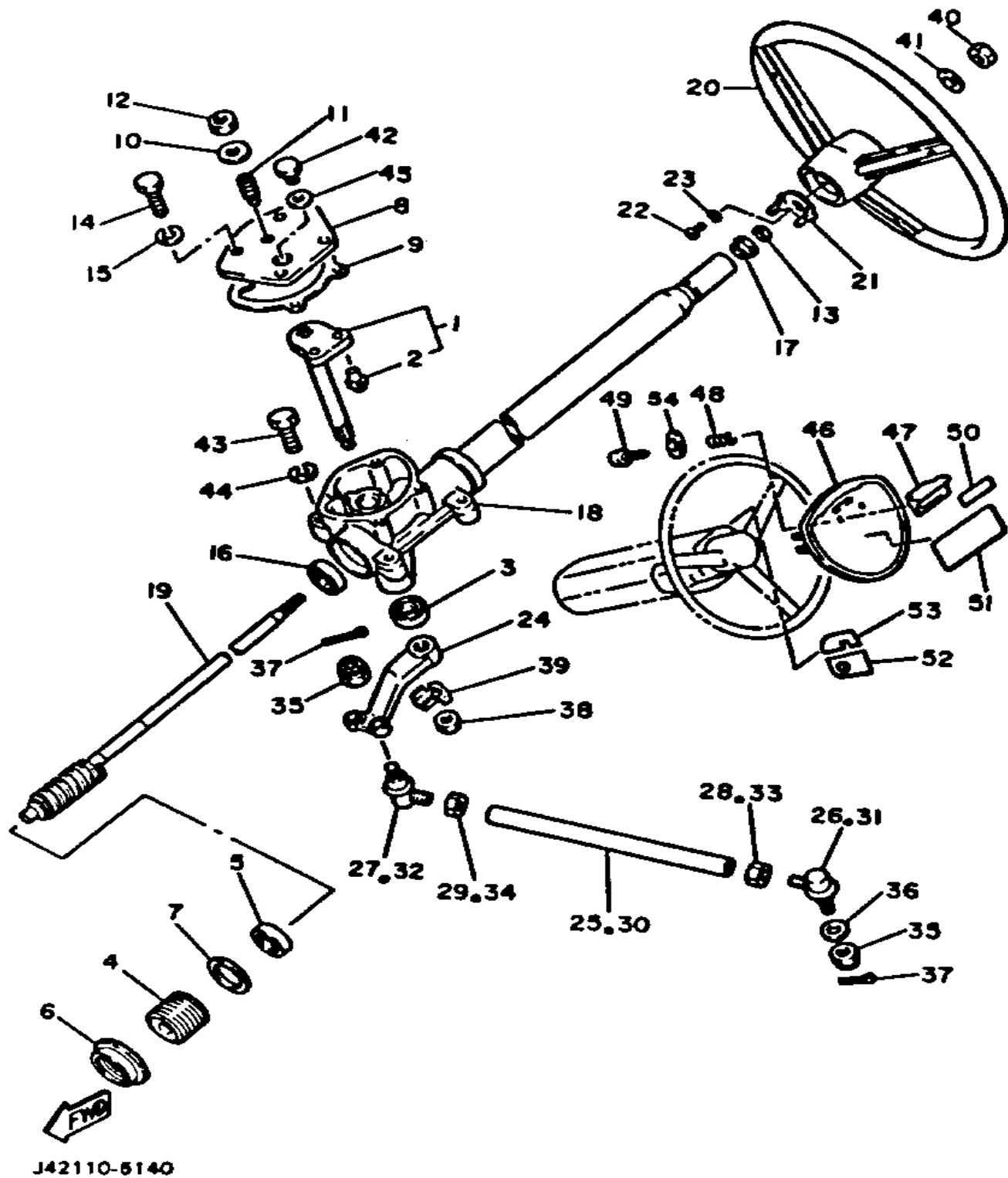
Ref. No.	Part Number	Description	Qty	Remarks
1	J24-23816-01-00	ARM, PITMAN (J24-23816-00-00)	1	
2	J10-23836-09-00	. PIN, PITMAN	2	
3	93102-22087-00	OIL SEAL	1	
4	J55-F3876-00-00	BOLT	1	
5	93332-00010-00	BEARING	1	
6	J10-23877-00-00	NUT	1	
7	J10-23444-00-00	WASHER	1	
8	J10-23818-00-00	COVER, STEERING	1	
9	J10-23462-00-00	SEAL, STEERING	1	
10	90201-08087-00	WASHER, PLATE	1	
11	J10-23459-00-00	BOLT	1	
12	90170-08024-00	NUT, HEX	1	
13	93104-15005-00	OIL SEAL, SO-TYPE	1	
14	97313-08020-00	BOLT, HEXAGON	4	
15	92990-08100-00	WASHER	4	
16	93332-00010-00	BEARING	1	
17	J42-23814-00-00	HOLDER, HANDLE UPPER	1	
18	J42-23811-00-00	COLUMN, STEERING	1	
19	J10-23840-00-00	STEERING SHAFT ASSEMBLY	1	
20	J50-F3838-00-00	WHEEL, STEERING	1	
21	J42-23839-00-00	PIN, CANCEL	1	
22	98580-04008-00	SCREW, PAN HEAD	3	
23	92901-04600-00	WASHER, PLATE	3	
24	J24-23826-00-00	ARM, IDLER	1	
25	J10-23831-00-00	ROD, TIE	1	
26	J10-23841-10-00	JOINT, UNIVERSAL 1	1	
27	J10-23845-10-00	JOINT, UNIVERSAL 2	1	
28	90170-12054-00	NUT	1	
29	90170-12055-00	NUT	1	

CONTENTS

ACCELERATOR	C4
AIR FILTER	A7-8
AIR SHROUD FAN	A4
ALTERNATE	F4-5
BODY 1	D1-3
BODY 2	D4-6
BODY FITTING	D7-9
BRAKE 1	B11-12,C1
BRAKE 2	C2-3
BUMPER	C11-12
CARBURETOR	A9
CARRIER	D12 ,E1-2
CRANKCASE	A12
CRANKSHAFT PISTON	A3
CYLINDER	A2
ELECTRICAL 1	F1-2
ELECTRICAL 2	F3
EXHAUST	A10-11
FRAME	B2
FRONT SUSPENSION WHEEL	B3-5
FUEL TANK	B9-10
GOVERNOR	C5
HEADLIGHT	E10
INSTRUMENT PANEL	D10
MAGNETO	E8-9
OIL PUMP	A5
OIL TANK	B8
PRIMARY SHEAVE	C6
PUMP DRIVE GEAR	A6
REAR AXLE WHEEL	C10
REAR SHOCKS	B1
SEAT	E3-4
SECONDARY SHEAVE	C7
STARTER PULLEY	E7
STARTING MOTOR	E5-6
STEERING	B6-7
TAILLIGHT	E11
TECHNICAL BULLETINS	ROW K
TRANSMISSION 1	C8-9
URNSIGNAL	E12
WINDSHIELD	D11

CONTINUED ON NEXT FRAME >

STEERING

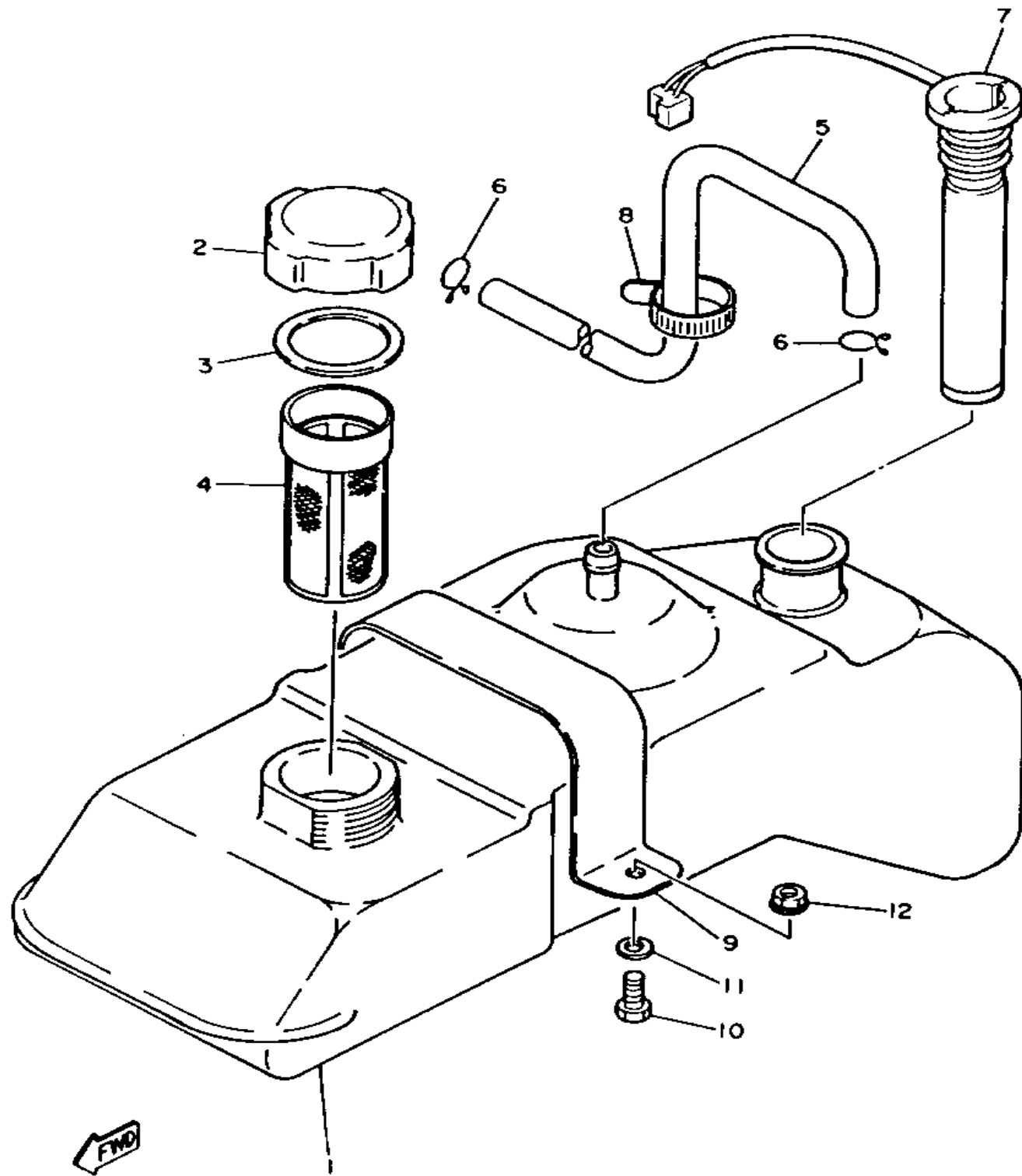


Ref. No.	Part Number	Description	Qty	Remarks
30	J10-23831-00-00	ROD, TIE	1	
31	J10-23841-10-00	JOINT, UNIVERSAL 1	1	
32	J10-23845-10-00	JOINT, UNIVERSAL 2	1	
33	90170-12054-00	NUT	1	
34	90170-12055-00	NUT	1	
35	95301-12900-00	NUT, SLOTTED	4	
36	92990-12600-00	WASHER, PLATE	2	
37	91401-30030-00	PIN, COTTER (91401-30025-00)	4	
38	95701-16300-00	NUT, FLANGE	1	
39	90215-16161-00	WASHER, LOCK	1	
40	90185-12119-00	NUT, SELF-LOCKING	1	
41	92990-12200-00	WASHER, PLAIN	1	
42	90340-14029-00	PLUG, STRAIGHT SCREW	1	
43	97313-10050-00	BOLT, HEXAGON (676)	4	
44	92990-10100-00	WASHER, SPRING	4	
45	90430-14175-00	GASKET	1	
46	J50-K8357-00-00	HOLDER 1	1	
47	J50-K8358-00-00	HOLDER 2	1	
48	90502-10013-00	SPRING, CONICAL	2	
49	97780-50125-00	SCREW, TAPPING	2	
50	J10-78292-00-00	EMBLEM 2	1	
51	J42-77762-00-00	LABEL, WARNING 2	1	
52	J42-77741-00-00	INDICATOR 1	1	
53	J42-77742-00-00	INDICATOR 2	1	
54	92901-05600-00	WASHER, PLATE	2	

CONTENTS

ACCELERATOR	C4
AIR FILTER	A7-8
AIR SHROUD FAN	A4
ALTERNATE	F4-5
BODY 1	D1-3
BODY 2	D4-6
BODY FITTING	D7-9
BRAKE 1	B11-12,C1
BRAKE 2	C2-3
BUMPER	C11-12
CARBURETOR	A9
CARRIER	D12 ,E1-2
CRANKCASE	A12
CRANKSHAFT PISTON	A3
CYLINDER	A2
ELECTRICAL 1	F1-2
ELECTRICAL 2	F3
EXHAUST	A10-11
FRAME	B2
FRONT SUSPENSION WHEEL	B3-5
FUEL TANK	B9-10
GOVERNOR	C5
HEADLIGHT	E10
INSTRUMENT PANEL	D10
MAGNETO	E8-9
OIL PUMP	A5
OIL TANK	B8
PRIMARY SHEAVE	C6
PUMP DRIVE GEAR	A6
REAR AXLE WHEEL	C10
REAR SHOCKS	B1
SEAT	E3-4
SECONDARY SHEAVE	C7
STARTER PULLEY	E7
STARTING MOTOR	E5-6
STEERING	B6-7
TAILLIGHT	E11
TECHNICAL BULLETINS	ROW K
TRANSMISSION 1	C8-9
URNSIGNAL	E12
WINDSHIELD	D11

OIL TANK

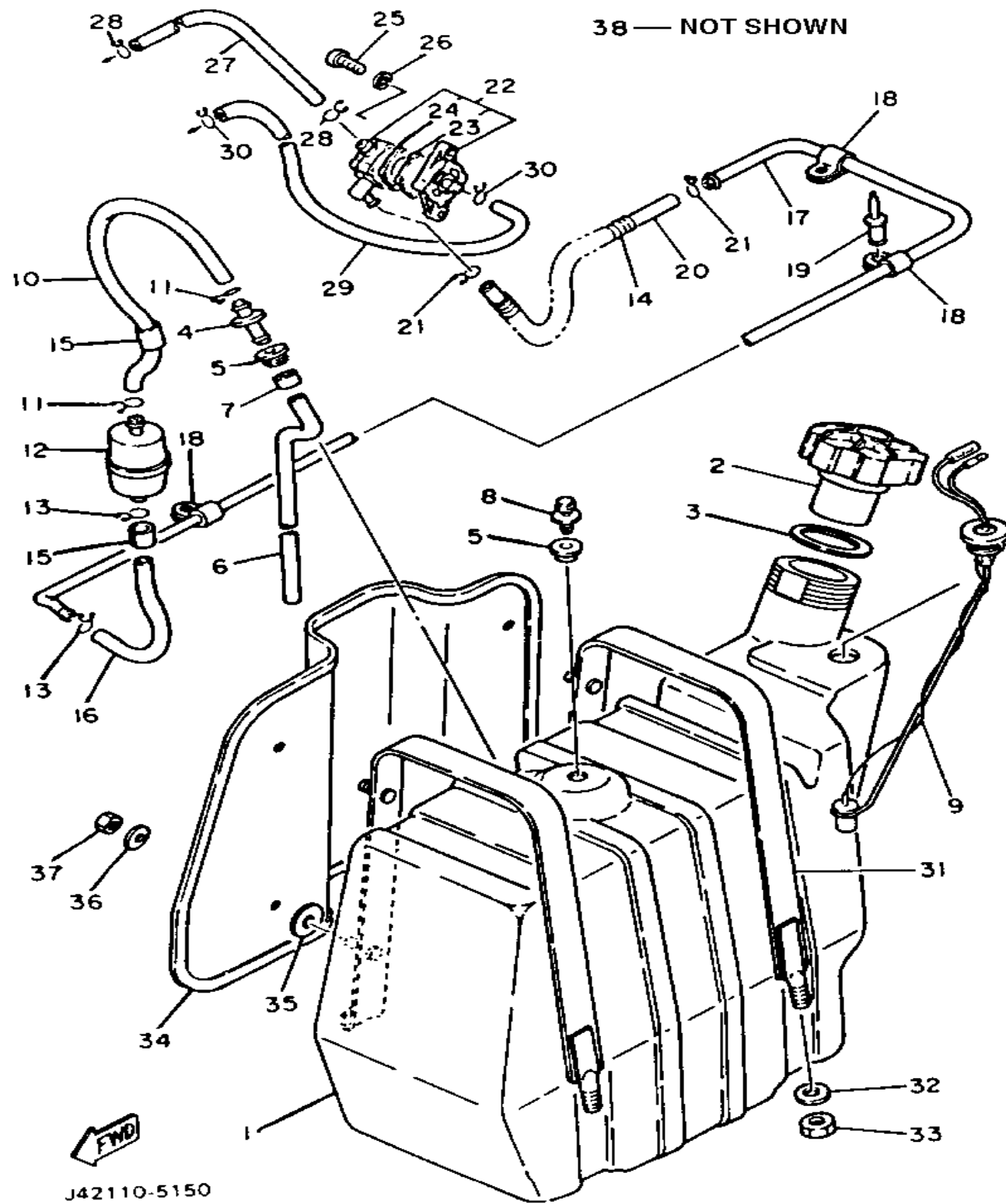


Ref. No.	Part Number	Description	Qty	Remarks
1	J42-21751-00-00	TANK, OIL	1	
2	863-21771-00-00	BODY, CAP	1	
3	90430-31003-00	GASKET	1	
4	J17-21756-00-00	NET, FILTER	1	
5	J10-21745-00-00	PIPE, OIL TANK BREATHER ..	1	
6	90467-11009-00	CLIP	2	
7	J42-85720-00-00	OIL LEVEL GAUGE ASSY	1	
8	25G-83936-01-00	BAND, SWITCH CORD	1	
9	J17-21776-00-00	BAND, TANK FITTING	1	
10	97313-06016-00	BOLT, HEXAGON	2	
11	90201-063J2-00	WASHER, PLATE	2	
12	95601-06200-00	NUT, U-FLANGE	2	

CONTENTS

ACCELERATOR	C4
AIR FILTER	A7-8
AIR SHROUD FAN	A4
ALTERNATE	F4-5
BODY 1	D1-3
BODY 2	D4-6
BODY FITTING	D7-9
BRAKE 1	B11-12,C1
BRAKE 2	C2-3
BUMPER	C11-12
CARBURETOR	A9
CARRIER	D12 ,E1-2
CRANKCASE	A12
CRANKSHAFT PISTON	A3
CYLINDER	A2
ELECTRICAL 1	F1-2
ELECTRICAL 2	F3
EXHAUST	A10-11
FRAME	B2
FRONT SUSPENSION WHEEL	B3-5
FUEL TANK	B9-10
GOVERNOR	C5
HEADLIGHT	E10
INSTRUMENT PANEL	D10
MAGNETO	E8-9
OIL PUMP	A5
OIL TANK	B8
PRIMARY SHEAVE	C6
PUMP DRIVE GEAR	A6
REAR AXLE WHEEL	C10
REAR SHOCKS	B1
SEAT	E3-4
SECONDARY SHEAVE	C7
STARTER PULLEY	E7
STARTING MOTOR	E5-6
STEERING	B6-7
TAILLIGHT	E11
TECHNICAL BULLETINS	ROW K
TRANSMISSION 1	C8-9
URNSIGNAL	E12
WINDSHIELD	D11

FUEL TANK



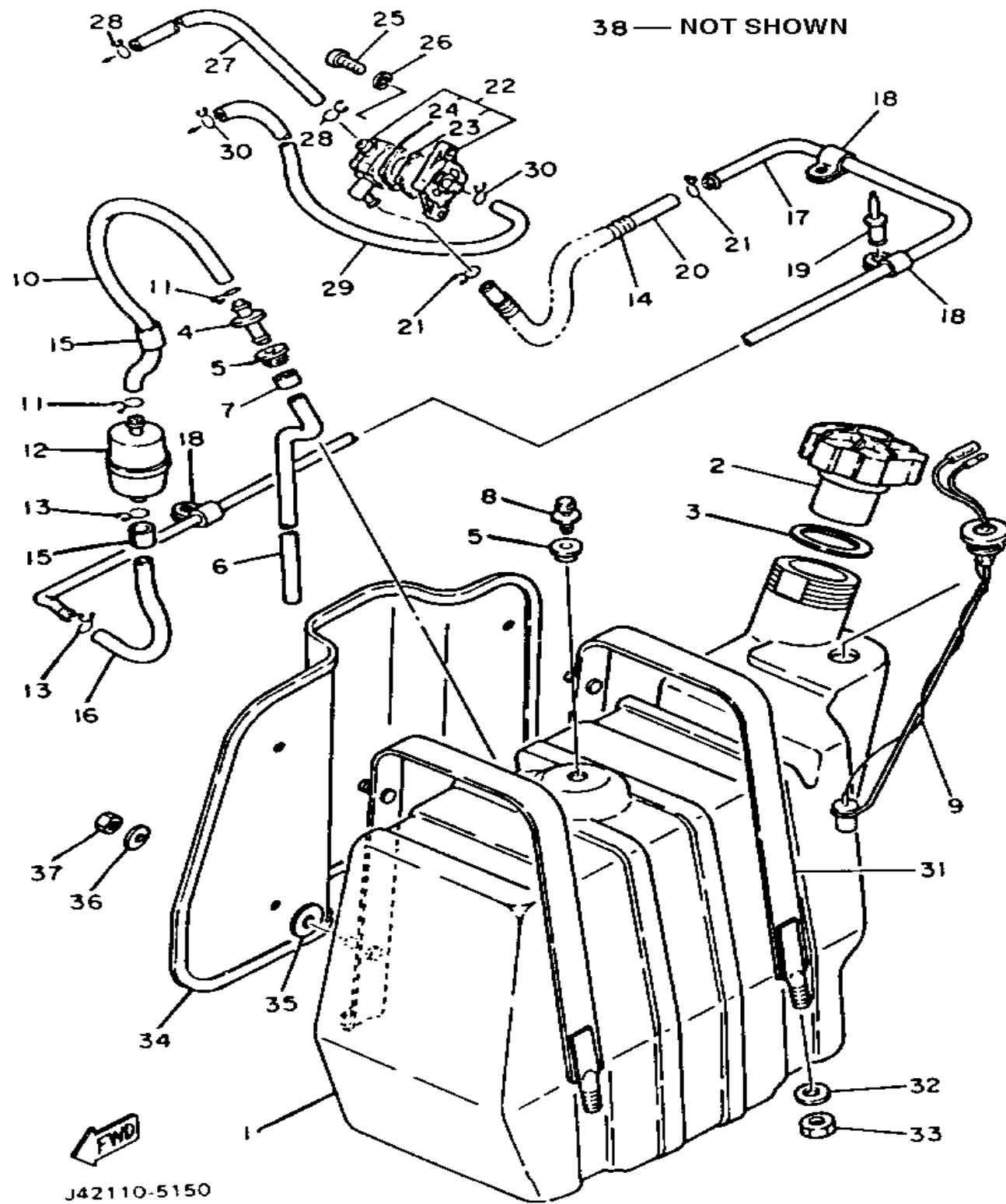
Ref. No.	Part Number	Description	Qty	Remarks
1	J17-24111-00-00	FUEL TANK	1	
2	J24-24620-01-00	BODY CAP ASSEMBLY	1	
3	J10-24612-00-00	GASKET, CAP	1	
4	J10-24461-00-00	PIPE, JOINT	1	
5	J10-21773-00-00	GROMMET	2	
6	J10-24311-00-00	PIPE, FUEL 1	1	
7	90468-04092-00	CLIP	1	
8	J24-24460-01-00	RELEASE VALVE ASSEMBLY	1	
9	J42-85752-00-00	SENDER UNIT ASSY FUEL METER	1	
10	J10-24312-00-00	PIPE 2	1	
11	90467-11009-00	CLIP	2	
12	809-24560-01-00	FILTER ASSEMBLY	1	
13	90467-11009-00	CLIP	2	
14	90501-08486-00	SPRING, COMPRESSION	1	
15	J10-24366-00-00	CLAMP, FUEL PIPE 1	2	
16	90445-11288-00	HOSE	1	
17	J10-24313-00-00	PIPE 3	1	
18	90461-04011-00	CLAMP	3	
19	90267-40054-00	RIVET, BLIND	3	
20	90445-11151-00	HOSE	1	
21	90467-11009-00	CLIP	2	
22	J10-24410-02-00	FUEL PUMP ASSEMBLY	1	SEE REF NO. 38
23	7H3-24411-00-00	. DIAPHRAGM	1	
24	7H3-24434-00-00	. GASKET	1	
25	98503-06018-00	SCREW, PAN HEAD (92503-060180-00)	2	
26	92995-06100-00	WASHER, SPRING	2	
27	90445-09069-00	HOSE	1	
28	90467-08017-00	CLIP	2	
29	90445-10449-00	HOSE	1	

CONTENTS

ACCELERATOR	C4
AIR FILTER	A7-8
AIR SHROUD FAN	A4
ALTERNATE	F4-5
BODY 1	D1-3
BODY 2	D4-6
BODY FITTING	D7-9
BRAKE 1	B11-12,C1
BRAKE 2	C2-3
BUMPER	C11-12
CARBURETOR	A9
CARRIER	D12 ,E1-2
CRANKCASE	A12
CRANKSHAFT PISTON	A3
CYLINDER	A2
ELECTRICAL 1	F1-2
ELECTRICAL 2	F3
EXHAUST	A10-11
FRAME	B2
FRONT SUSPENSION WHEEL	B3-5
FUEL TANK	B9-10
GOVERNOR	C5
HEADLIGHT	E10
INSTRUMENT PANEL	D10
MAGNETO	E8-9
OIL PUMP	A5
OIL TANK	B8
PRIMARY SHEAVE	C6
PUMP DRIVE GEAR	A6
REAR AXLE WHEEL	C10
REAR SHOCKS	B1
SEAT	E3-4
SECONDARY SHEAVE	C7
STARTER PULLEY	E7
STARTING MOTOR	E5-6
STEERING	B6-7
TAILLIGHT	B11
TECHNICAL BULLETINS	ROW K
TRANSMISSION 1	C8-9
URNSIGNAL	E12
WINDSHIELD	D11

CONTINUED ON NEXT FRAME ➤

FUEL TANK



Ref. No.	Part Number	Description	Qty	Remarks
30	90467-09006-00	CLIP	2	
31	J17-24173-00-00	BAND, TANK FITTING 1	2	
32	90201-08107-00	WASHER, PLATE	2	
33	95611-08100-00	NUT, U	2	
34	J17-24129-01-00	COVER, SIDE 1	1	
35	90202-08111-00	WASHER, PLATE	4	
36	90201-06067-00	WASHER, PLATE	4	
37	95601-06100-00	NUT, U	4	
38	7H3-W0017-00-00	FUEL PUMP DIAPHRAGM KIT .	1	NOT SHOWN

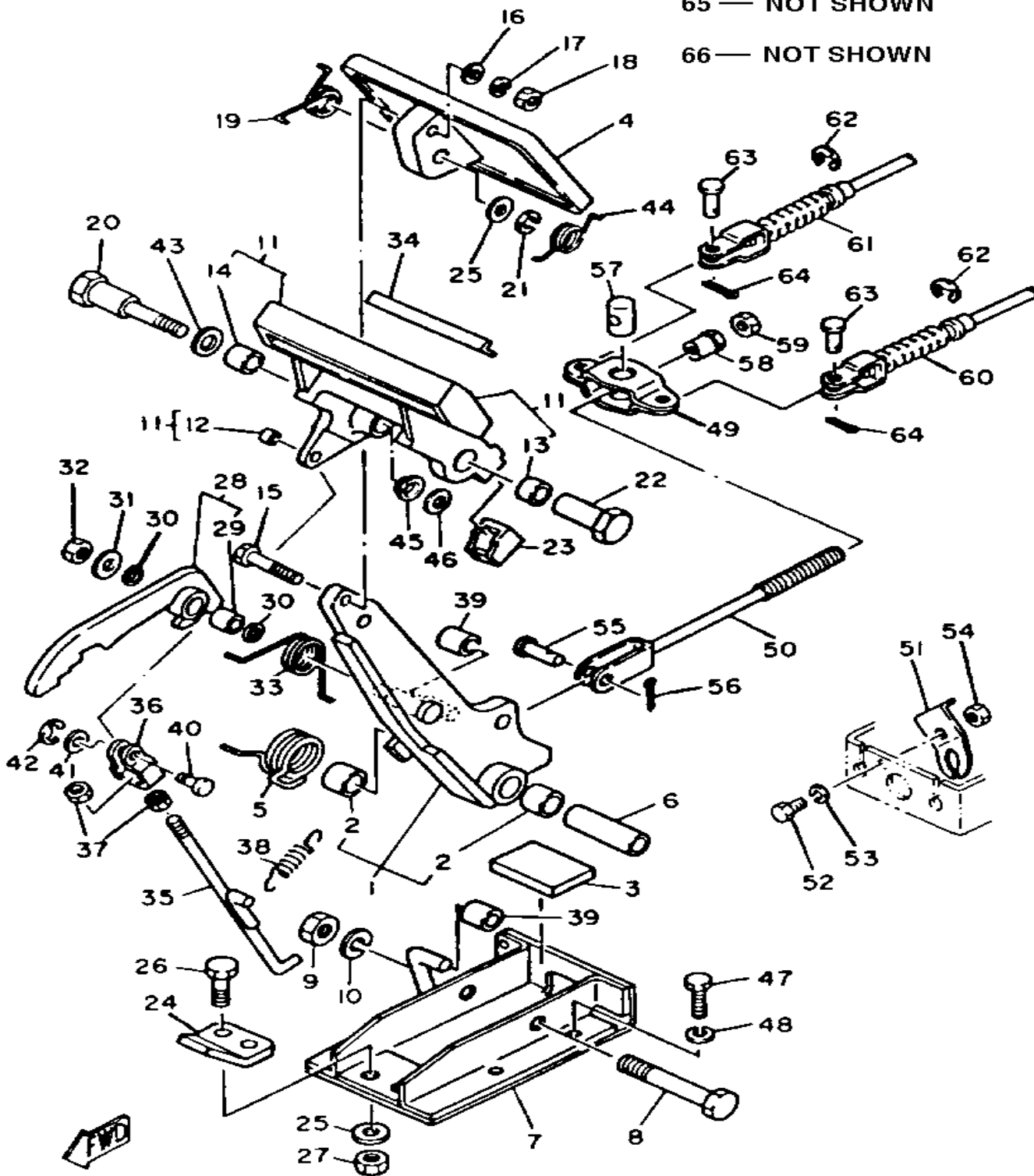
CONTENTS

ACCELERATOR	C4
AIR FILTER	A7-8
AIR SHROUD FAN	A4
ALTERNATE	F4-5
BODY 1	D1-3
BODY 2	D4-6
BODY FITTING	D7-9
BRAKE 1	B11-12,C1
BRAKE 2	C2-3
BUMPER	C11-12
CARBURETOR	A9
CARRIER	D12 ,E1-2
CRANKCASE	A12
CRANKSHAFT PISTON	A3
CYLINDER	A2
ELECTRICAL 1	F1-2
ELECTRICAL 2	F3
EXHAUST	A10-11
FRAME	B2
FRONT SUSPENSION WHEEL	B3-5
FUEL TANK	B9-10
GOVERNOR	C5
HEADLIGHT	E10
INSTRUMENT PANEL	D10
MAGNETO	E8-9
OIL PUMP	A5
OIL TANK	B8
PRIMARY SHEAVE	C6
PUMP DRIVE GEAR	A6
REAR AXLE WHEEL	C10
REAR SHOCKS	B1
SEAT	E3-4
SECONDARY SHEAVE	C7
STARTER PULLEY	E7
STARTING MOTOR	E5-6
STEERING	B6-7
TAILLIGHT	E11
TECHNICAL BULLETINS	ROW K
TRANSMISSION 1	C8-9
URNSIGNAL	E12
WINDSHIELD	D11

BRAKE 1

65 — NOT SHOWN

66 — NOT SHOWN



J29010-3160

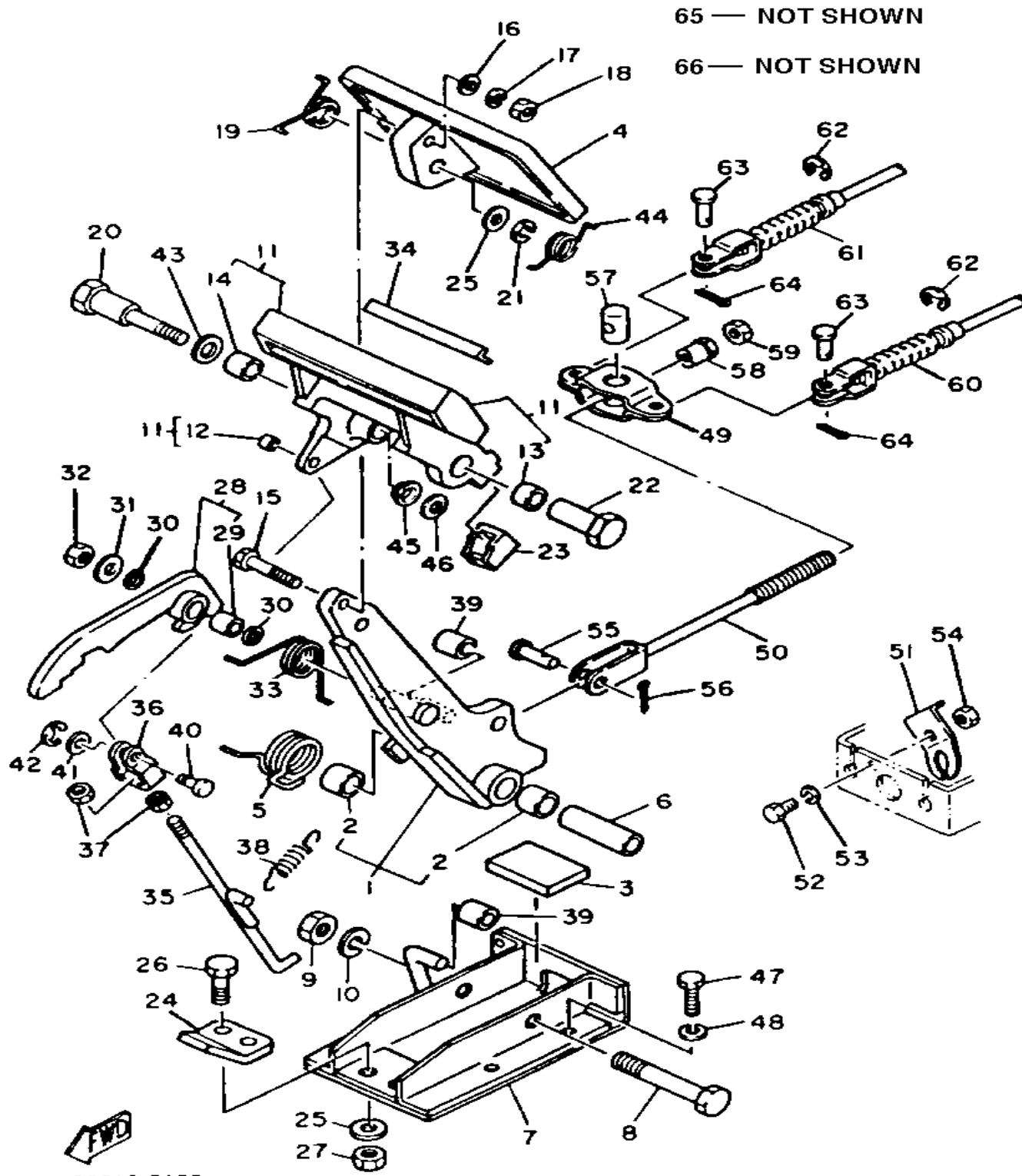
Ref. No.	Part Number	Description	Qty	Remarks
1	J17-27250-02-00	BRAKE ARM COMP.	1	ORDER REF NOS. 65 & 66 FOR BRAKE ARM KIT
2	90384-14080-00	. BUSH, BIMETAL FORMED ...	2	
3	J17-27245-00-00	PAD, BRAKE PEDAL	1	
4	J10-27211-00-00	PEDAL, BRAKE	1	
5	90508-40543-00	SPRING, TORSION	1	
6	90387-107F8-00	COLLAR	1	
7	J17-25654-00-00	BRACKET, PEDAL	1	
8	90101-10447-00	BOLT, HEX	1	
9	95601-10100-00	NUT, U (95602-10100-00)	1	
10	92990-10100-00	WASHER, SPRING	1	
11	99999-01799-00	PARKING PEDAL COMP. (J17-25670-00-00)	1	
12	90384-05163-00	. BUSH, BIMETAL	1	
13	90384-12164-00	. BUSH, BIMETAL	1	
14	90380-12051-00	. BUSH, SOLID	1	
15	90101-06555-00	BOLT, HEX	1	
16	92990-06200-00	WASHER	1	
17	92995-06100-00	WASHER, SPRING	1	
18	95380-06600-00	NUT	1	
19	90508-23542-00	SPRING, TORSION	1	
20	90109-08669-00	BOLT	1	
21	92990-08100-00	WASHER	1	
22	90179-08378-00	NUT	1	
23	J17-25679-01-00	DAMPER	1	
24	J17-27246-00-00	NAIL, BRAKE	1	
25	92990-08200-00	WASHER, PLAIN	1	
26	97001-08025-00	BOLT (1NV)	2	
27	95611-08100-00	NUT, U	2	
28	J17-W2561-00-00	SECTOR, PARKING BRAKE ..	1	

CONTENTS

ACCELERATOR	C4
AIR FILTER	A7-8
AIR SHROUD FAN	A4
ALTERNATE	F4-5
BODY 1	D1-3
BODY 2	D4-6
BODY FITTING	D7-9
BRAKE 1	B11-12,C1
BRAKE 2	C2-3
BUMPER	C11-12
CARBURETOR	A9
CARRIER	D12 ,E1-2
CRANKCASE	A12
CRANKSHAFT PISTON	A3
CYLINDER	A2
ELECTRICAL 1	F1-2
ELECTRICAL 2	F3
EXHAUST	A10-11
FRAME	B2
FRONT SUSPENSION WHEEL	B3-5
FUEL TANK	B9-10
GOVERNOR	C5
HEADLIGHT	E10
INSTRUMENT PANEL	D10
MAGNETO	E8-9
OIL PUMP	A5
OIL TANK	B8
PRIMARY SHEAVE	C6
PUMP DRIVE GEAR	A6
REAR AXLE WHEEL	C10
REAR SHOCKS	B1
SEAT	E3-4
SECONDARY SHEAVE	C7
STARTER PULLEY	E7
STARTING MOTOR	E5-6
STEERING	B6-7
TAILLIGHT	E11
TECHNICAL BULLETINS	ROW K
TRANSMISSION 1	C8-9
URNSIGNAL	E12
WINDSHIELD	D11

CONTINUED ON NEXT FRAME >

BRAKE 1



J29010-3160

65 — NOT SHOWN
66 — NOT SHOWN

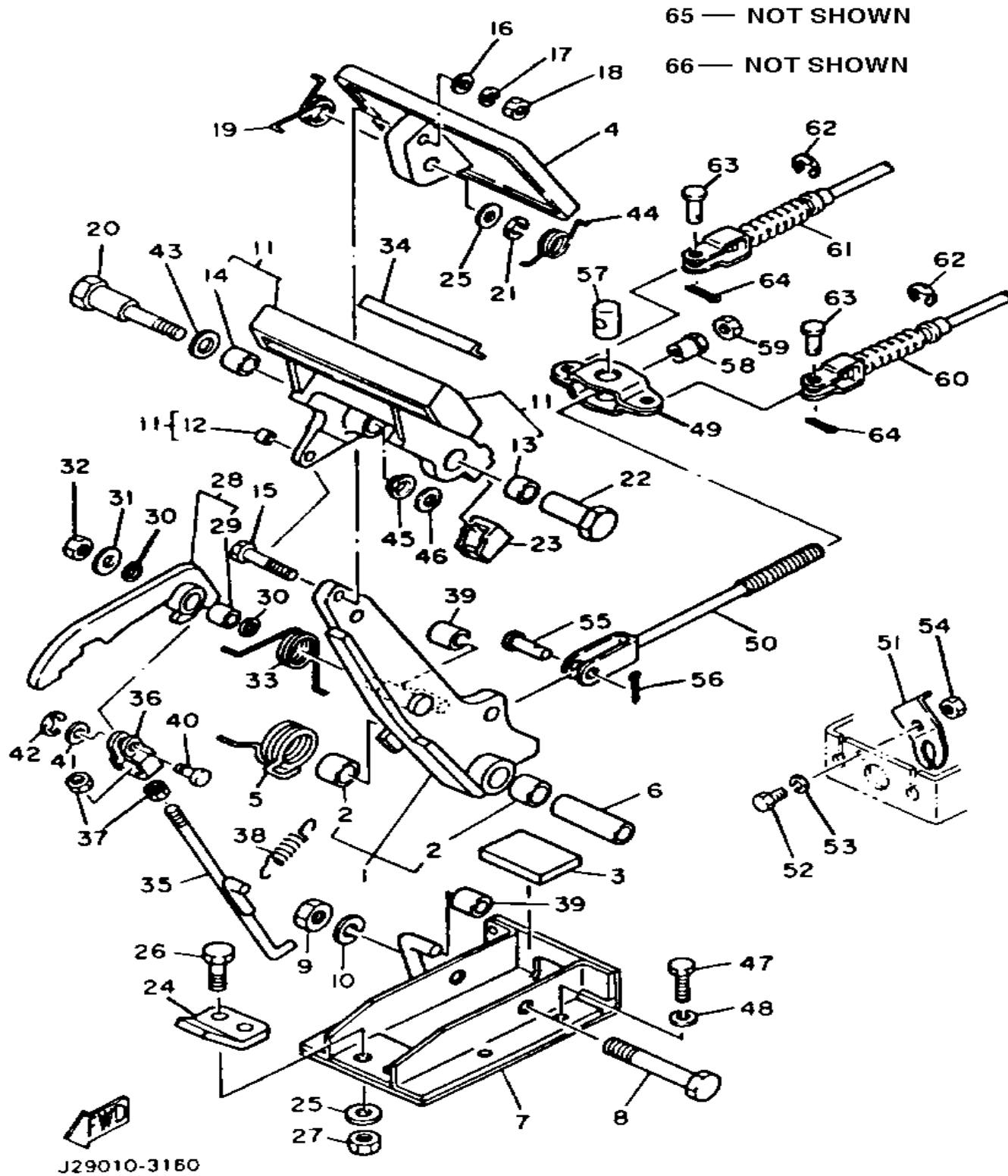
Ref. No.	Part Number	Description	Qty	Remarks
29	90384-10162-00	. BUSH, BIMETAL FORMED ...	1	
30	J17-27221-00-00	SEAL, SHAFT	2	
31	90201-065F3-00	WASHER, PLATE	1	
32	95601-06100-00	NUT, U	1	
33	90508-14548-00	SPRING, TORSION	1	
34	J17-25672-00-00	PAD, PARKING PEDAL	1	
35	J17-27231-00-00	ROD, BRAKE	1	
36	J17-27232-00-00	END, ROD 2	1	
37	95380-06700-00	NUT	2	
38	90506-12277-00	SPRING, TENSION	1	
39	J17-25673-00-00	DAMPER, BRAKE	2	
40	J17-27228-00-00	PIN, JOINT	1	
41	92901-05600-00	WASHER, PLATE	1	
42	99080-05600-00	CIRCLIP	1	
43	90201-123F2-00	WASHER, PLAIN	1	
44	90508-26557-00	SPRING, TORSION	1	
45	90380-12105-00	BUSH, SOLID	1	
46	90201-104G8-00	WASHER, PLATE	2	
47	97011-06016-00	BOLT	4	
48	92995-06100-00	WASHER, SPRING	4	
49	J10-25681-00-00	EQUALIZER, BRAKE	1	
50	J20-25685-00-00	ROD	1	
51	J13-25656-00-00	BRACKET, STOP LIGHT SWITCH	1	
52	97313-06016-00	BOLT, HEXAGON	1	
53	92995-06100-00	WASHER, SPRING	1	
54	95380-06600-00	NUT	1	
55	91701-10022-00	PIN, CLEVIS	1	
56	91490-30020-00	PIN, COTTER	1	
57	90249-14129-00	PIN	1	

CONTENTS

ACCELERATOR	C4
AIR FILTER	A7-8
AIR SHROUD FAN	A4
ALTERNATE	F4-5
BODY 1	D1-3
BODY 2	D4-6
BODY FITTING	D7-9
BRAKE 1	B11-12,C1
BRAKE 2	C2-3
BUMPER	C11-12
CARBURETOR	A9
CARRIER	D12 ,E1-2
CRANKCASE	A12
CRANKSHAFT PISTON	A3
CYLINDER	A2
ELECTRICAL 1	F1-2
ELECTRICAL 2	F3
EXHAUST	A10-11
FRAME	B2
FRONT SUSPENSION WHEEL	B3-5
FUEL TANK	B9-10
GOVERNOR	C5
HEADLIGHT	E10
INSTRUMENT PANEL	D10
MAGNETO	E8-9
OIL PUMP	A5
OIL TANK	B8
PRIMARY SHEAVE	C6
PUMP DRIVE GEAR	A6
REAR AXLE WHEEL	C10
REAR SHOCKS	B1
SEAT	E3-4
SECONDARY SHEAVE	C7
STARTER PULLEY	E7
STARTING MOTOR	E5-6
STEERING	B6-7
TAILLIGHT	E11
TECHNICAL BULLETINS	ROW K
TRANSMISSION 1	C8-9
URNSIGNAL	E12
WINDSHIELD	D11

CONTINUED ON NEXT FRAME >

BRAKE 1

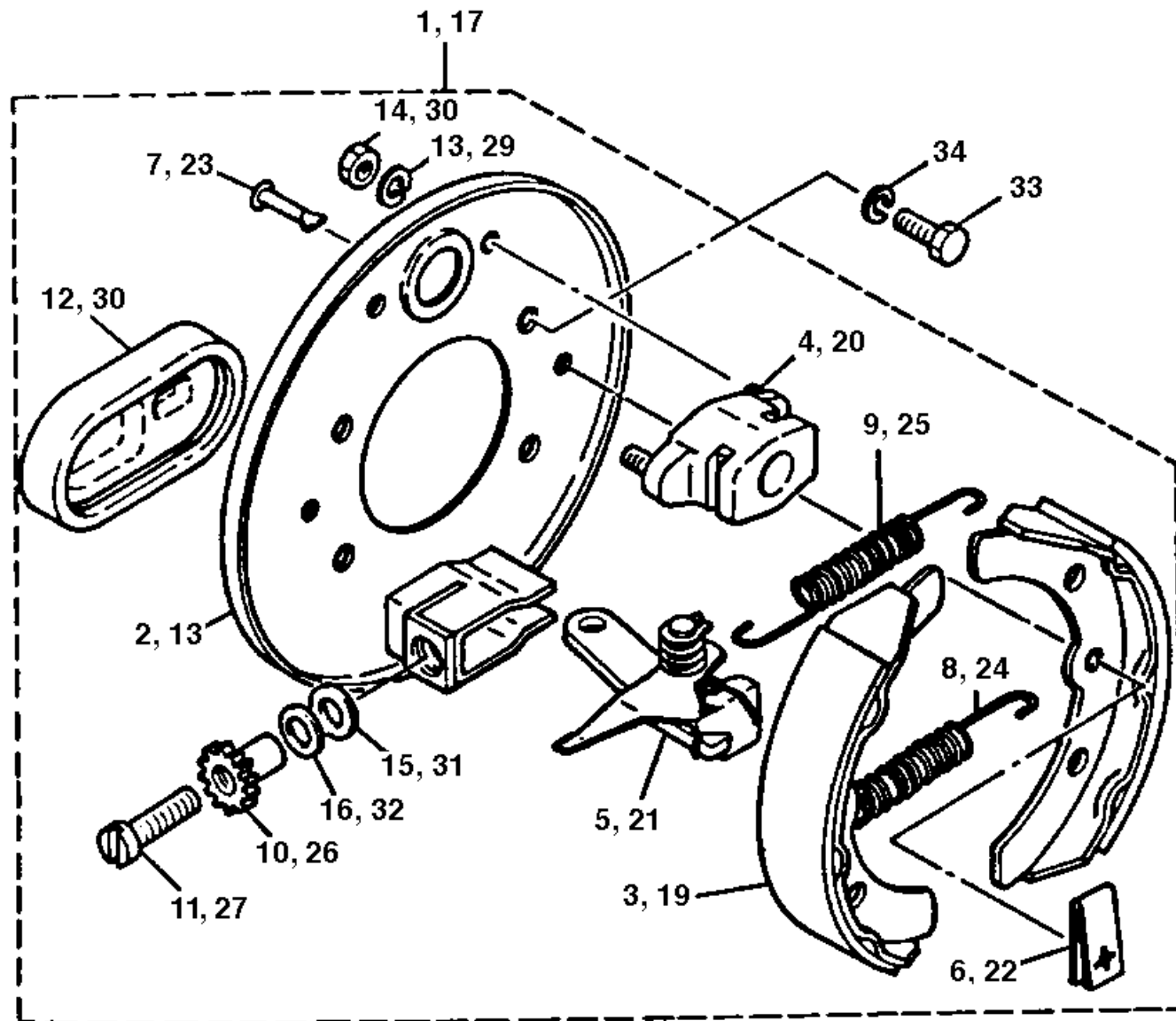


Ref. No.	Part Number	Description	Qty	Remarks
58	90179-08261-00	NUT	1	
59	95303-08700-00	NUT	1	
60	J56-F6341-00-00	CABLE, BRAKE	1	
61	J56-F6351-00-00	CABLE, BRAKE	1	
62	99001-09600-00	CIRCLIP	4	
63	91701-08018-00	PIN, CLEVIS	4	
64	91490-25020-00	PIN, COTTER	4	
65	99080-07600-00	CIRCLIP (E)	1	NOT SHOWN
66	92990-10600-00	WASHER, PLATE	1	NOT SHOWN

CONTENTS

ACCELERATOR	C4
AIR FILTER	A7-8
AIR SHROUD FAN	A4
ALTERNATE	F4-5
BODY 1	D1-3
BODY 2	D4-6
BODY FITTING	D7-9
BRAKE 1	B11-12,C1
BRAKE 2	C2-3
BUMPER	C11-12
CARBURETOR	A9
CARRIER	D12 ,E1-2
CRANKCASE	A12
CRANKSHAFT PISTON	A3
CYLINDER	A2
ELECTRICAL 1	F1-2
ELECTRICAL 2	F3
EXHAUST	A10-11
FRAME	B2
FRONT SUSPENSION WHEEL	B3-5
FUEL TANK	B9-10
GOVERNOR	C5
HEADLIGHT	E10
INSTRUMENT PANEL	D10
MAGNETO	E8-9
OIL PUMP	A5
OIL TANK	B8
PRIMARY SHEAVE	C6
PUMP DRIVE GEAR	A6
REAR AXLE WHEEL	C10
REAR SHOCKS	B1
SEAT	E3-4
SECONDARY SHEAVE	C7
STARTER PULLEY	E7
STARTING MOTOR	E5-6
STEERING	B6-7
TAILLIGHT	E11
TECHNICAL BULLETINS	ROW K
TRANSMISSION 1	C8-9
URNSIGNAL	E12
WINDSHIELD	D11

BRAKE 2



J31100-4170

Ref. No.	Part Number	Description	Qty	Remarks
1	J17-27280-01-00	BACKING PLT ASSEMBLY 1	1	
2	J17-27208-00-00	. BACKING PLATE SUB ASSEMBLY 1 (R.H)	1	
3	J55-W2536-00-00	. BRAKE SHOE SET	1	
4	J17-27206-00-00	. ANCHOR BODY COMP.	1	
5	J17-27204-01-00	. LEVER ASSEMBLY 1	1	
6	J10-27281-00-00	. SPRING, SHOE CLAMP	2	
7	J10-27282-00-00	. PIN, SHOE HOLD DOWN	2	
8	90506-20281-00	. SPRING, TENSION	1	
9	90506-26191-00	. SPRING, TENSION	1	
10	J17-27238-00-00	. NUT, ADJUSTING	1	
11	90109-08657-00	. BOLT	1	
12	J10-27286-00-00	. COVER, DUST	1	
13	92995-06100-00	. WASHER, SPRING	2	
14	95380-06600-00	. NUT	2	
15	90201-121H8-00	. WASHER, PLATE	1	
16	90201-121H9-00	. WASHER, PLATE	1	
17	J17-27290-01-00	BACKING PLATE ASSEMBLY 2	1	
18	J17-27209-00-00	. BACKING PLATE SUB ASSEMBLY 2 (L.H)	1	
19	J55-W2536-00-00	. BRAKE SHOE SET	1	
20	J17-27206-00-00	. ANCHOR BODY COMP.	1	
21	J17-27205-01-00	. LEVER ASSEMBLY 2	1	
22	J10-27281-00-00	. SPRING, SHOE CLAMP	2	
23	J10-27282-00-00	. PIN, SHOE HOLD DOWN	2	
24	90506-20281-00	. SPRING, TENSION	1	
25	90506-26191-00	. SPRING, TENSION	1	
26	J17-27258-00-00	. NUT, ADJUSTING	1	
27	90109-08659-00	. BOLT	1	
28	J10-27286-00-00	. COVER, DUST	1	
29	92995-06100-00	. WASHER, SPRING	2	

CONTENTS

ACCELERATOR	C4
AIR FILTER	A7-8
AIR SHROUD FAN	A4
ALTERNATE	F4-5
BODY 1	D1-3
BODY 2	D4-6
BODY FITTING	D7-9
BRAKE 1	B11-12,C1
BRAKE 2	C2-3
BUMPER	C11-12
CARBURETOR	A9
CARRIER	D12 ,E1-2
CRANKCASE	A12
CRANKSHAFT PISTON	A3
CYLINDER	A2
ELECTRICAL 1	F1-2
ELECTRICAL 2	F3
EXHAUST	A10-11
FRAME	B2
FRONT SUSPENSION WHEEL	B3-5
FUEL TANK	B9-10
GOVERNOR	C5
HEADLIGHT	E10
INSTRUMENT PANEL	D10
MAGNETO	E8-9
OIL PUMP	A5
OIL TANK	B8
PRIMARY SHEAVE	C6
PUMP DRIVE GEAR	A6
REAR AXLE WHEEL	C10
REAR SHOCKS	B1
SEAT	E3-4
SECONDARY SHEAVE	C7
STARTER PULLEY	E7
STARTING MOTOR	E5-6
STEERING	B6-7
TAILLIGHT	E11
TECHNICAL BULLETINS	ROW K
TRANSMISSION 1	C8-9
URNSIGNAL	E12
WINDSHIELD	D11

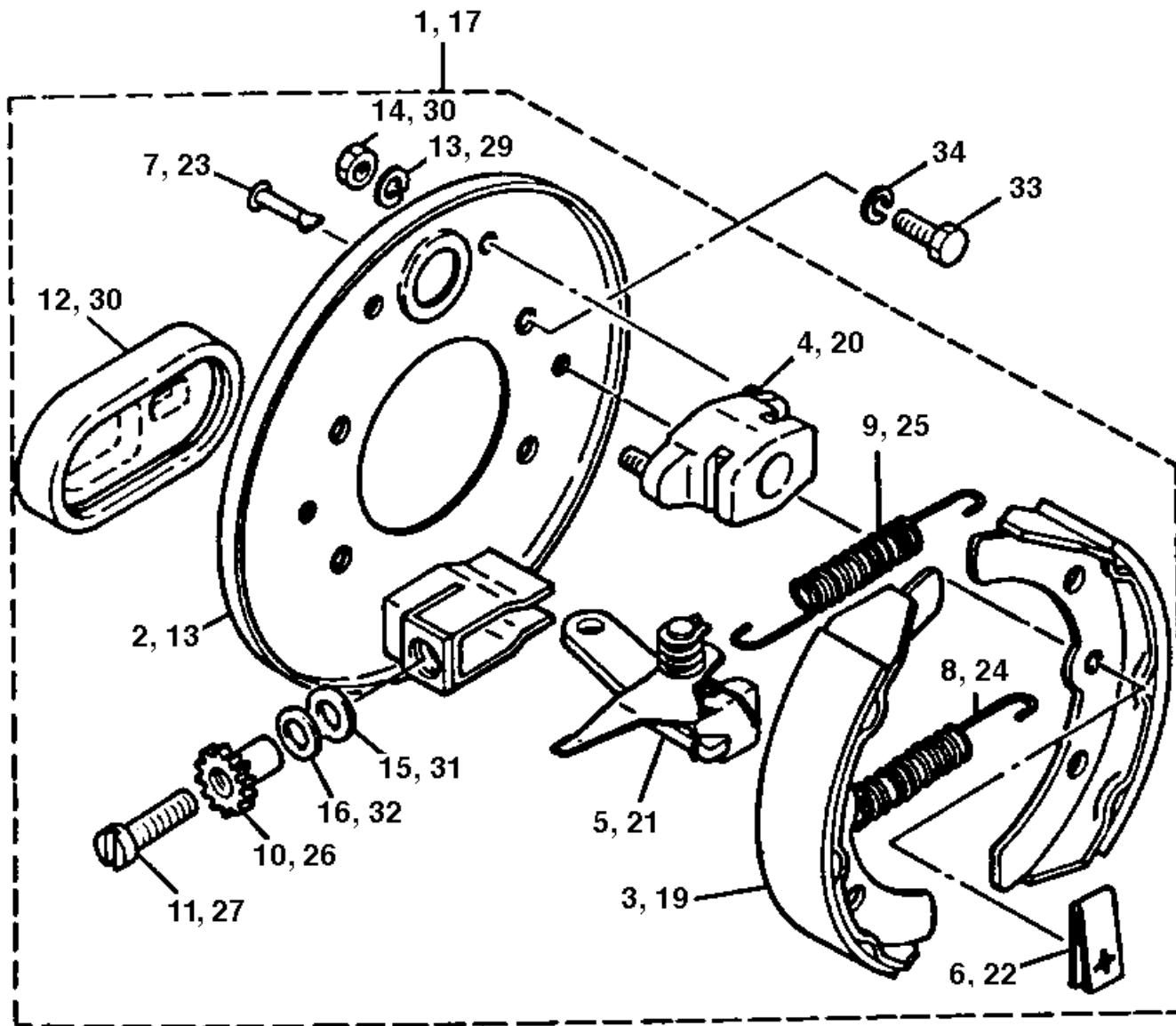
CONTINUED ON NEXT FRAME >

BRAKE 2

Ref. No.	Part Number	Description	Qty	Remarks
30	95380-06600-00	. NUT	2	
31	90201-121H8-00	. WASHER, PLATE	1	
32	90201-121H9-00	. WASHER, PLATE	1	
33	97313-08016-00	BOLT, HEXAGON	8	
34	92990-08100-00	WASHER	8	

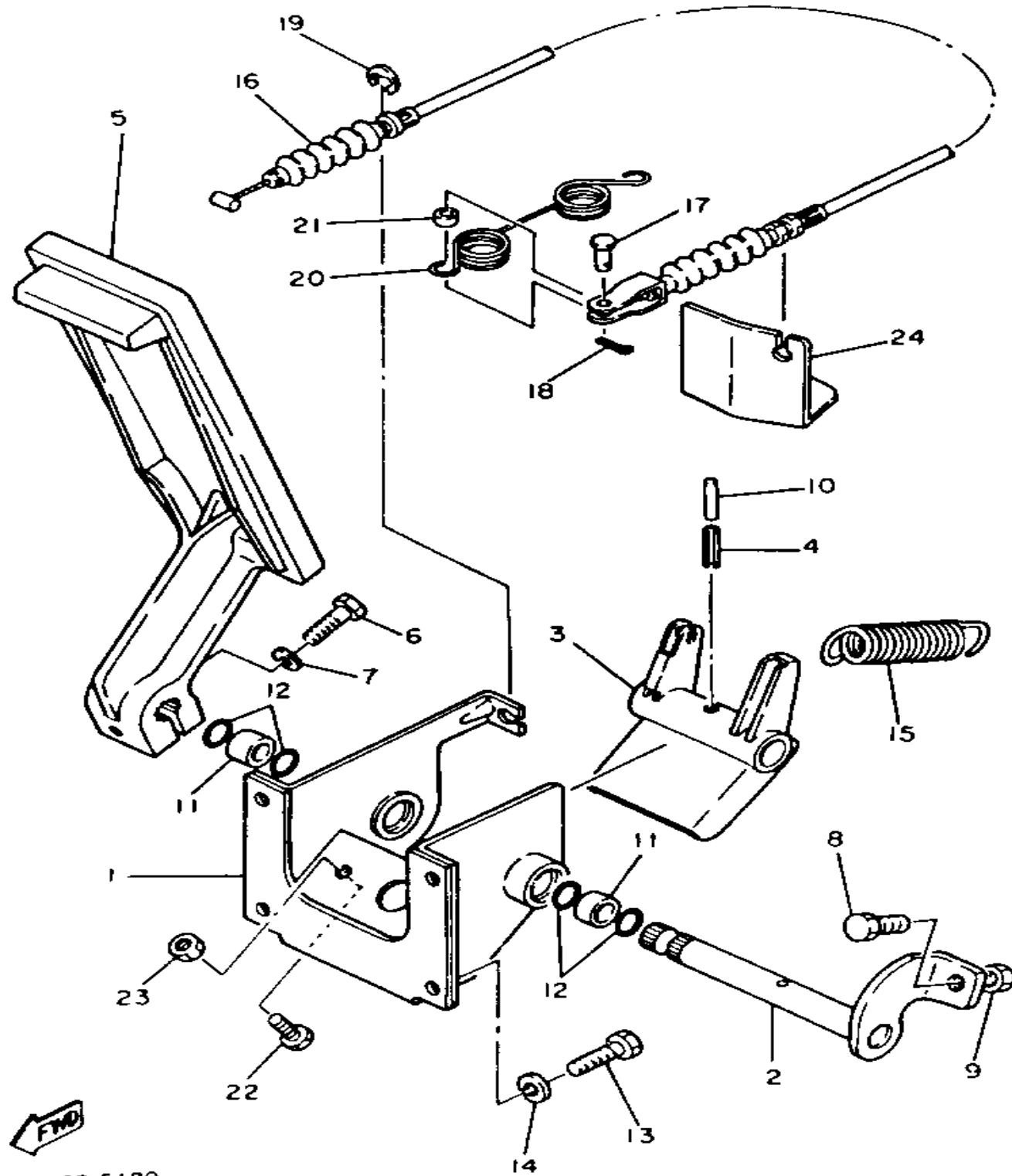
CONTENTS

ACCELERATOR	C4
AIR FILTER	A7-8
AIR SHROUD FAN	A4
ALTERNATE	F4-5
BODY 1	D1-3
BODY 2	D4-6
BODY FITTING	D7-9
BRAKE 1	B11-12,C1
BRAKE 2	C2-3
BUMPER	C11-12
CARBURETOR	A9
CARRIER	D12 ,E1-2
CRANKCASE	A12
CRANKSHAFT PISTON	A3
CYLINDER	A2
ELECTRICAL 1	F1-2
ELECTRICAL 2	F3
EXHAUST	A10-11
FRAME	B2
FRONT SUSPENSION WHEEL	B3-5
FUEL TANK	B9-10
GOVERNOR	C5
HEADLIGHT	E10
INSTRUMENT PANEL	D10
MAGNETO	E8-9
OIL PUMP	A5
OIL TANK	B8
PRIMARY SHEAVE	C6
PUMP DRIVE GEAR	A6
REAR AXLE WHEEL	C10
REAR SHOCKS	B1
SEAT	E3-4
SECONDARY SHEAVE	C7
STARTER PULLEY	E7
STARTING MOTOR	E5-6
STEERING	B6-7
TAILLIGHT	E11
TECHNICAL BULLETINS	ROW K
TRANSMISSION 1	C8-9
URNSIGNAL	E12
WINDSHIELD	D11



J31100-4170

ACCELERATOR



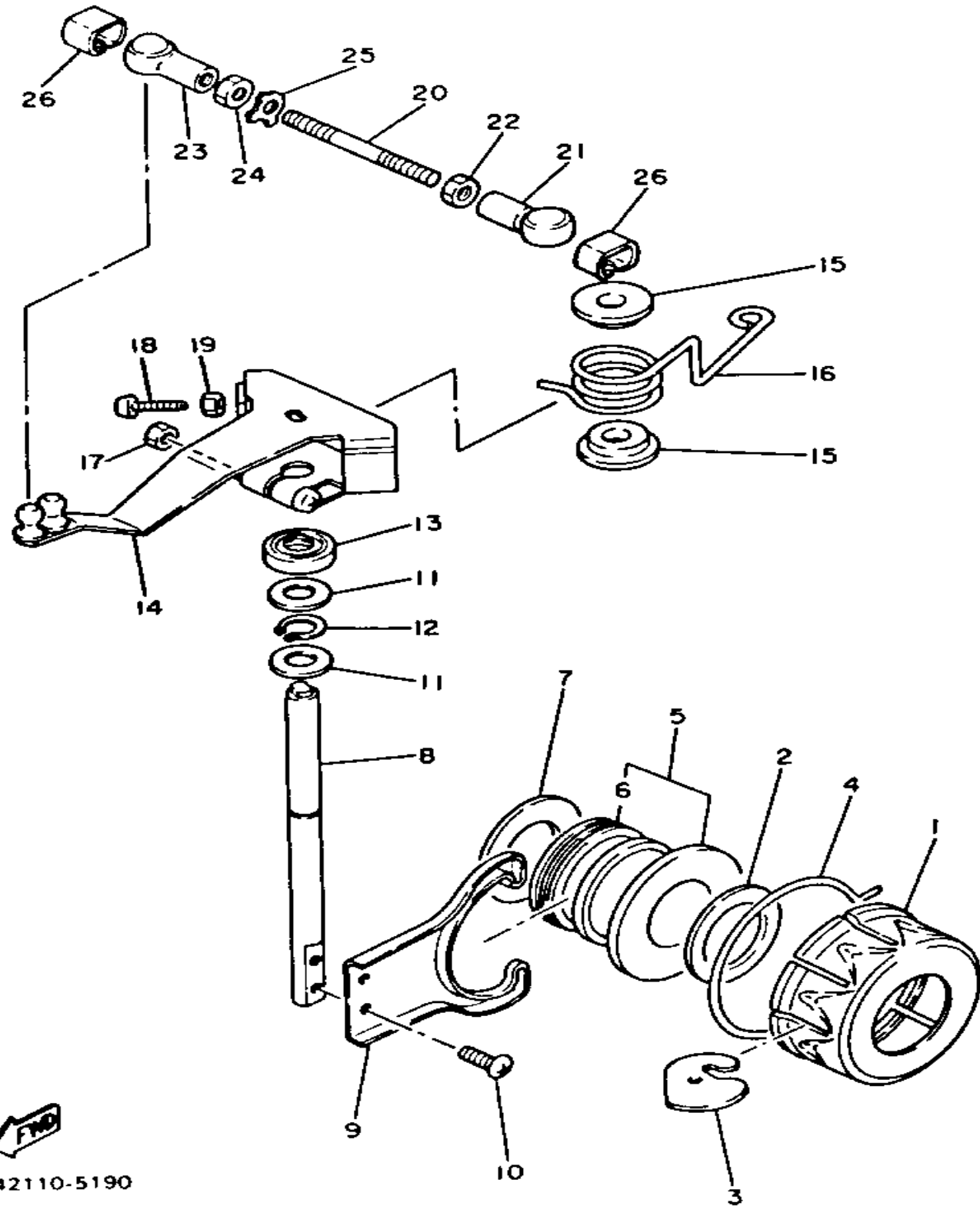
Ref. No.	Part Number	Description	Qty	Remarks
1	J17-27874-00-00	BRACKET, ACCELERATOR PEDAL	1	
2	J17-27853-00-00	SHAFT, PEDAL 1	1	
3	J17-27872-00-00	ARM, ACCELERATOR PEDAL .	1	
4	91609-60028-00	PIN, SPRING	1	
5	JF3-27871-00-00	PEDAL, ACCELERATOR	1	
6	97011-06025-00	BOLT (97001-06025-00)	1	
7	92995-06100-00	WASHER, SPRING	1	
8	90106-08040-00	BOLT	1	
9	95303-08700-00	NUT	1	
10	91609-35028-00	PIN, SPRING	1	
11	90384-14080-00	BUSH, BIMETAL FORMED	2	
12	93210-14104-00	O-RING	4	
13	97301-06014-00	BOLT, HEXAGON	4	
14	92995-06100-00	WASHER, SPRING	4	
15	90506-26282-00	SPRING, TENSION	1	
16	J17-26311-00-00	CABLE, THROTTLE 1	1	
17	91702-05012-00	PIN	1	
18	90468-10050-00	CLIP	1	
19	99080-07600-00	CIRCLIP (E)	1	
20	90508-16460-00	SPRING, TORSION	1	
21	90560-05001-00	SPACER	1	
22	97011-06025-00	BOLT (97001-06025-00)	1	
23	95380-06700-00	NUT	1	
24	J10-27981-00-00	BRACKET, THROTTLE	1	

CONTENTS

ACCELERATOR	C4
AIR FILTER	A7-8
AIR SHROUD FAN	A4
ALTERNATE	F4-5
BODY 1	D1-3
BODY 2	D4-6
BODY FITTING	D7-9
BRAKE 1	B11-12,C1
BRAKE 2	C2-3
BUMPER	C11-12
CARBURETOR	A9
CARRIER	D12 ,E1-2
CRANKCASE	A12
CRANKSHAFT PISTON	A3
CYLINDER	A2
ELECTRICAL 1	F1-2
ELECTRICAL 2	F3
EXHAUST	A10-11
FRAME	B2
FRONT SUSPENSION WHEEL	B3-5
FUEL TANK	B9-10
GOVERNOR	C5
HEADLIGHT	E10
INSTRUMENT PANEL	D10
MAGNETO	E8-9
OIL PUMP	A5
OIL TANK	B8
PRIMARY SHEAVE	C6
PUMP DRIVE GEAR	A6
REAR AXLE WHEEL	C10
REAR SHOCKS	B1
SEAT	E3-4
SECONDARY SHEAVE	C7
STARTER PULLEY	E7
STARTING MOTOR	E5-6
STEERING	B6-7
TAILLIGHT	E11
TECHNICAL BULLETINS	ROW K
TRANSMISSION 1	C8-9
URNSIGNAL	E12
WINDSHIELD	D11

J31100-5180

GOVERNOR



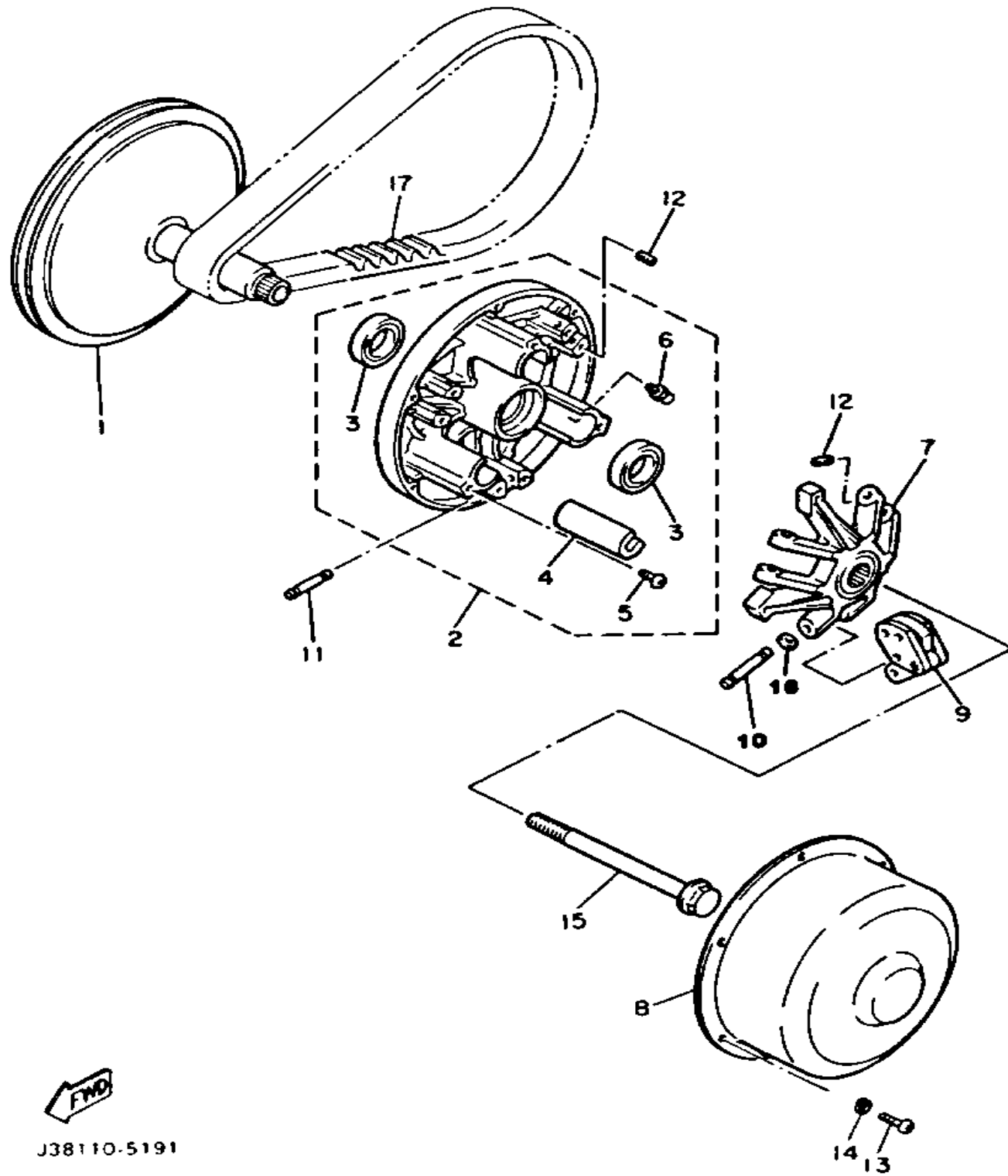
Ref. No.	Part Number	Description	Qty	Remarks
1	J10-27912-00-00	RETAINER	1	
2	90387-21690-00	COLLAR	1	
3	J10-27913-00-00	WEIGHT	12	
4	J10-27911-00-00	HOLDER	1	
5	J10-27927-00-00	LIFTER	1	
6	93342-22502-00	. BEARING, THRUST	1	
7	90201-20275-00	WASHER, PLATE	1	
8	J10-27921-01-00	SHAFT, GOVERNOR	1	
9	J10-27922-00-00	FORK, GOVERNOR	1	
10	98580-04008-00	SCREW, PAN HEAD	2	
11	90202-08110-00	WASHER, PLATE	2	
12	99009-06600-00	CIRCLIP	1	
13	93109-08050-00	OIL SEAL	1	
14	J10-27951-01-00	LEVER, SPEED LMTR	1	
15	90386-08141-00	BUSH	2	
16	90508-40398-00	SPRING, TORSION	1	
17	95380-06600-00	NUT	1	
18	J10-27959-00-00	SCREW, ADJUSTING	1	
19	95301-05700-00	NUT (95302-05700-00)	1	
20	J10-14836-00-00	ROD	1	
21	J10-14833-01-00	JOINT	1	
22	95301-05700-00	NUT (95302-05700-00)	1	
23	J10-14864-01-00	JOINT	1	
24	90170-05190-00	NUT, HEXAGON	1	
25	J24-14842-00-00	PLATE, CON ROD	1	
26	90468-05112-00	CLIP	2	

CONTENTS

ACCELERATOR	C4
AIR FILTER	A7-8
AIR SHROUD FAN	A4
ALTERNATE	F4-5
BODY 1	D1-3
BODY 2	D4-6
BODY FITTING	D7-9
BRAKE 1	B11-12,C1
BRAKE 2	C2-3
BUMPER	C11-12
CARBURETOR	A9
CARRIER	D12 ,E1-2
CRANKCASE	A12
CRANKSHAFT PISTON	A3
CYLINDER	A2
ELECTRICAL 1	F1-2
ELECTRICAL 2	F3
EXHAUST	A10-11
FRAME	B2
FRONT SUSPENSION WHEEL	B3-5
FUEL TANK	B9-10
GOVERNOR	C5
HEADLIGHT	E10
INSTRUMENT PANEL	D10
MAGNETO	E8-9
OIL PUMP	A5
OIL TANK	B8
PRIMARY SHEAVE	C6
PUMP DRIVE GEAR	A6
REAR AXLE WHEEL	C10
REAR SHOCKS	B1
SEAT	E3-4
SECONDARY SHEAVE	C7
STARTER PULLEY	E7
STARTING MOTOR	E5-6
STEERING	B6-7
TAILLIGHT	E11
TECHNICAL BULLETINS	ROW K
TRANSMISSION 1	C8-9
URNSIGNAL	E12
WINDSHIELD	D11

J42110-5190

PRIMARY SHEAVE



Ref. No.	Part Number	Description	Qty	Remarks
1	J42-46210-00-00	PRI FIXED SHEAVE COMP ...	1	
2	J38-46220-00-00	PRIMARY SLIDING SHEAVE COMP.	1	
3	93102-28348-00	. OIL SEAL	2	
4	J38-46253-00-00	. SLIDER	3	
5	98901-05008-00	. SCREW, BLIND	3	
6	93700-06004-00	. NIPPLE, GREASE	1	
7	J38-46251-00-00	SPIDER	1	
8	J38-46231-00-00	CAP	1	
9	99999-01831-00	WEIGHT LINK ASSY (J42-46205-00-00)	3	
10	J38-46236-00-00	PIN, WEIGHT	3	
11	J38-46237-00-00	PIN, WEIGHT 2	3	
12	90113-04050-00	BOLT, SET	12	
13	98501-05010-00	SCREW, PAN HEAD	6	
14	92990-05100-00	WASHER, SPRING	6	
15	J38-46249-00-00	BOLT	1	
16	90202-07164-00	WASHER, PLATE	6	
17	J17-46241-00-00	BELT	1	

CONTENTS

ACCELERATOR	C4
AIR FILTER	A7-8
AIR SHROUD FAN	A4
ALTERNATE	F4-5
BODY 1	D1-3
BODY 2	D4-6
BODY FITTING	D7-9
BRAKE 1	B11-12,C1
BRAKE 2	C2-3
BUMPER	C11-12
CARBURETOR	A9
CARRIER	D12 ,E1-2
CRANKCASE	A12
CRANKSHAFT PISTON	A3
CYLINDER	A2
ELECTRICAL 1	F1-2
ELECTRICAL 2	F3
EXHAUST	A10-11
FRAME	B2
FRONT SUSPENSION WHEEL	B3-5
FUEL TANK	B9-10
GOVERNOR	C5
HEADLIGHT	E10
INSTRUMENT PANEL	D10
MAGNETO	E8-9
OIL PUMP	A5
OIL TANK	B8
PRIMARY SHEAVE	C6
PUMP DRIVE GEAR	A6
REAR AXLE WHEEL	C10
REAR SHOCKS	B1
SEAT	E3-4
SECONDARY SHEAVE	C7
STARTER PULLEY	E7
STARTING MOTOR	E5-6
STEERING	B6-7
TAILLIGHT	E11
TECHNICAL BULLETINS	ROW K
TRANSMISSION 1	C8-9
URNSIGNAL	E12
WINDSHIELD	D11



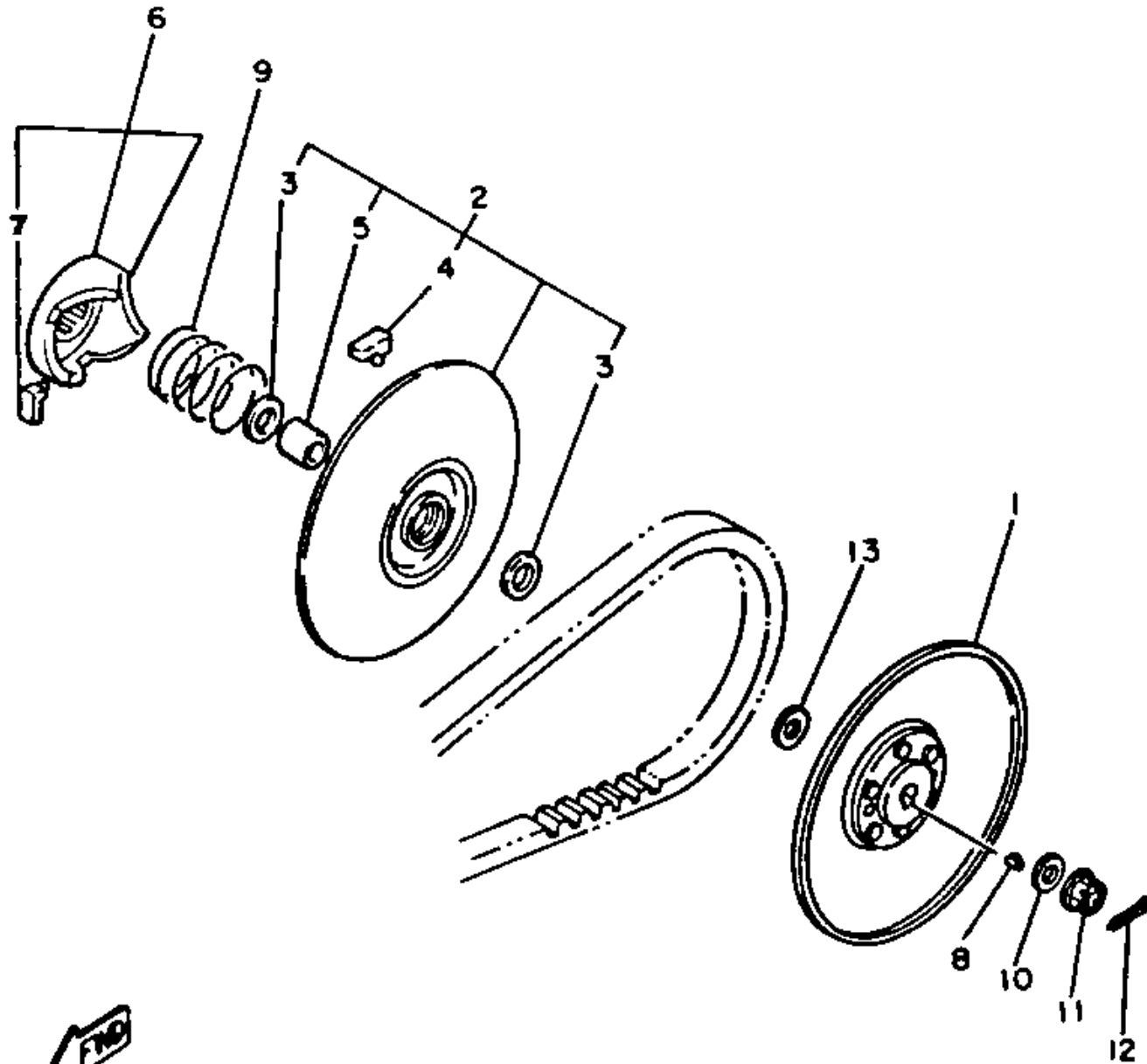
J38110-5191

SECONDARY SHEAVE

Ref. No.	Part Number	Description	Qty	Remarks
1	J55-G6260-00-00	SECONDARY FIXED SHEAVE COMP.	1	
2	J17-46270-01-00	SECONDARY SLIDING SHEAVE COMP.	1	
3	93102-20309-00	. OIL SEAL	2	
4	801-17688-10-00	. SHOE, RAMP	3	
5	90384-20143-00	. BUSH, BIMETAL FORM FORMED	1	
6	J55-G6280-00-00	SEC SPRING SEAT CMP (J38-46280-00-00)	1	
7	801-17688-10-00	SHOE, RAMP	3	
8	90280-05022-00	KEY, WOODRUFF	1	
9	90501-45600-00	SPRING, COMPRESSION	1	
10	90201-12588-00	WASHER, PLATE	1	
11	90171-12023-00	NUT, CASTLE	1	
12	91401-30030-00	PIN, COTTER (91401-30025-00)	1	
13	90202-20130-00	WASHER, PLATE	1	

CONTENTS

ACCELERATOR	C4
AIR FILTER	A7-8
AIR SHROUD FAN	A4
ALTERNATE	F4-5
BODY 1	D1-3
BODY 2	D4-6
BODY FITTING	D7-9
BRAKE 1	B11-12,C1
BRAKE 2	C2-3
BUMPER	C11-12
CARBURETOR	A9
CARRIER	D12 ,E1-2
CRANKCASE	A12
CRANKSHAFT PISTON	A3
CYLINDER	A2
ELECTRICAL 1	F1-2
ELECTRICAL 2	F3
EXHAUST	A10-11
FRAME	B2
FRONT SUSPENSION WHEEL	B3-5
FUEL TANK	B9-10
GOVERNOR	C5
HEADLIGHT	E10
INSTRUMENT PANEL	D10
MAGNETO	E8-9
OIL PUMP	A5
OIL TANK	B8
PRIMARY SHEAVE	C6
PUMP DRIVE GEAR	A6
REAR AXLE WHEEL	C10
REAR SHOCKS	B1
SEAT	E3-4
SECONDARY SHEAVE	C7
STARTER PULLEY	E7
STARTING MOTOR	E5-6
STEERING	B6-7
TAILLIGHT	E11
TECHNICAL BULLETINS	ROW K
TRANSMISSION 1	C8-9
URNSIGNAL	E12
WINDSHIELD	D11



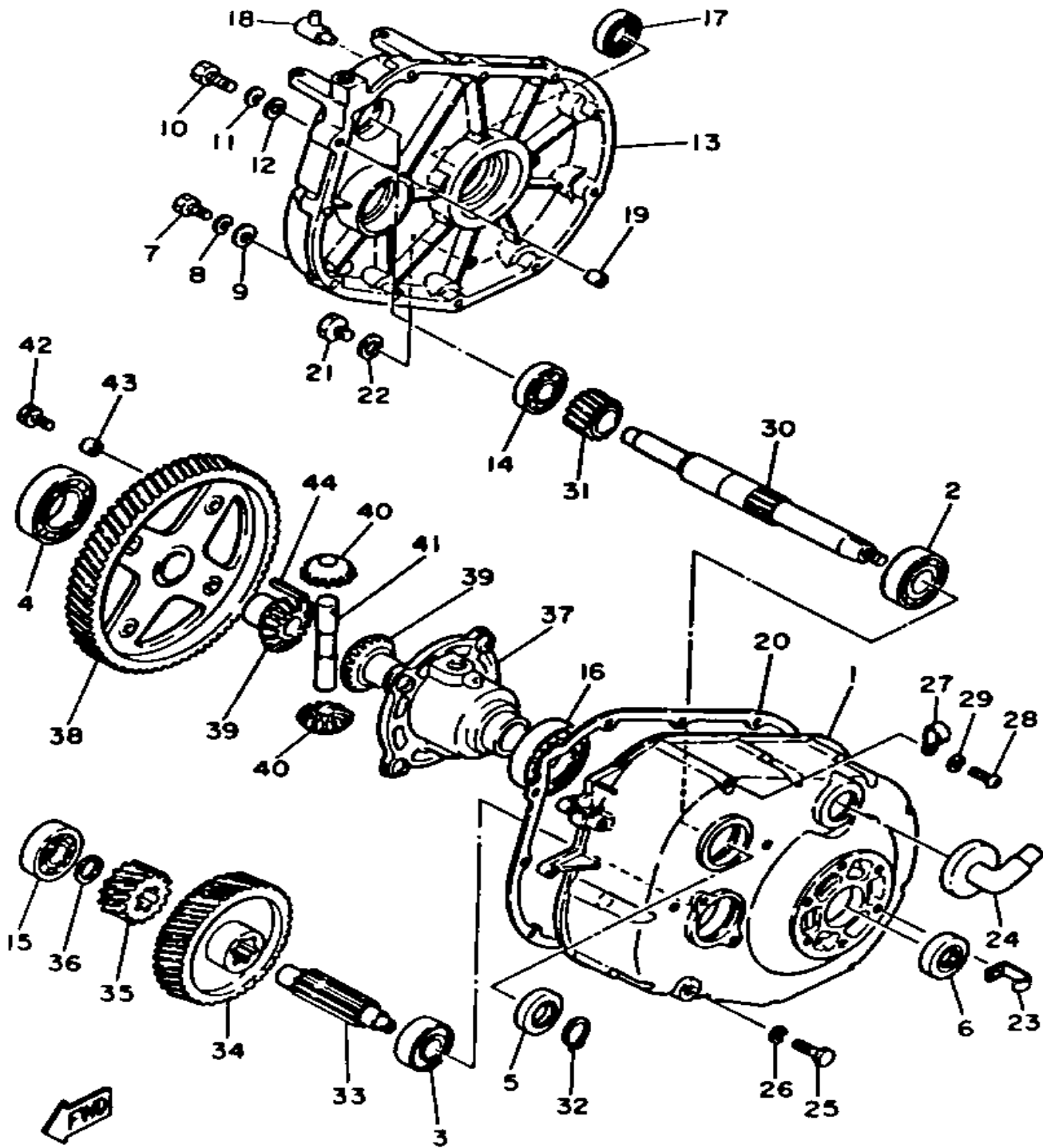
J42110-5210

TRANSMISSION 1

Ref. No.	Part Number	Description	Qty	Remarks
1	J11-46311-00-00	CASE, TRANS 1	1	
2	93306-20541-00	BEARING (B6205)	1	
3	93306-20421-00	BEARING	1	
4	93306-00803-00	BEARING (B6008)	1	
5	93102-25017-00	OIL SEAL	1	
6	93102-22189-00	OIL SEAL	1	
7	97313-08035-00	BOLT, HEXAGON	9	
8	92990-08100-00	WASHER	9	
9	92901-08600-00	WASHER	9	
10	97313-08045-00	BOLT	2	
11	92990-08100-00	WASHER	2	
12	92901-08600-00	WASHER	2	
13	J10-46312-00-00	CASE, TRANS 2	1	
14	93306-20324-00	BEARING	1	
15	93306-20421-00	BEARING	1	
16	93306-00803-00	BEARING (B6008)	1	
17	93102-22189-00	OIL SEAL	1	
18	8E4-24461-00-00	PIPE, JOINT	1	
19	99510-12016-00	PIN, DOWEL	2	
20	J10-46319-01-00	GASKET	1	
21	90340-14036-00	PLUG, STRAIGHT SCREW	2	
22	90430-14043-00	GASKET	2	
23	90465-06100-00	CLAMP	1	
24	835-47559-00-00	CAP 2	1	
25	97011-10020-00	BOLT	2	
26	92990-10100-00	WASHER, SPRING	2	
27	90465-08028-00	CLAMP	1	
28	98580-06010-00	SCREW, PAN HEAD (92503-06010-00)	1	
29	92995-06100-00	WASHER, SPRING	1	

CONTENTS

ACCELERATOR	C4
AIR FILTER	A7-8
AIR SHROUD FAN	A4
ALTERNATE	F4-5
BODY 1	D1-3
BODY 2	D4-6
BODY FITTING	D7-9
BRAKE 1	B11-12,C1
BRAKE 2	C2-3
BUMPER	C11-12
CARBURETOR	A9
CARRIER	D12,E1-2
CRANKCASE	A12
CRANKSHAFT PISTON	A3
CYLINDER	A2
ELECTRICAL 1	F1-2
ELECTRICAL 2	F3
EXHAUST	A10-11
FRAME	B2
FRONT SUSPENSION WHEEL	B3-5
FUEL TANK	B9-10
GOVERNOR	C5
HEADLIGHT	E10
INSTRUMENT PANEL	D10
MAGNETO	E8-9
OIL PUMP	A5
OIL TANK	B8
PRIMARY SHEAVE	C6
PUMP DRIVE GEAR	A6
REAR AXLE WHEEL	C10
REAR SHOCKS	B1
SEAT	E3-4
SECONDARY SHEAVE	C7
STARTER PULLEY	E7
STARTING MOTOR	E5-6
STEERING	B6-7
TAILLIGHT	E11
TECHNICAL BULLETINS	ROW K
TRANSMISSION 1	C8-9
URNSIGNAL	E12
WINDSHIELD	D11



J42110-5220

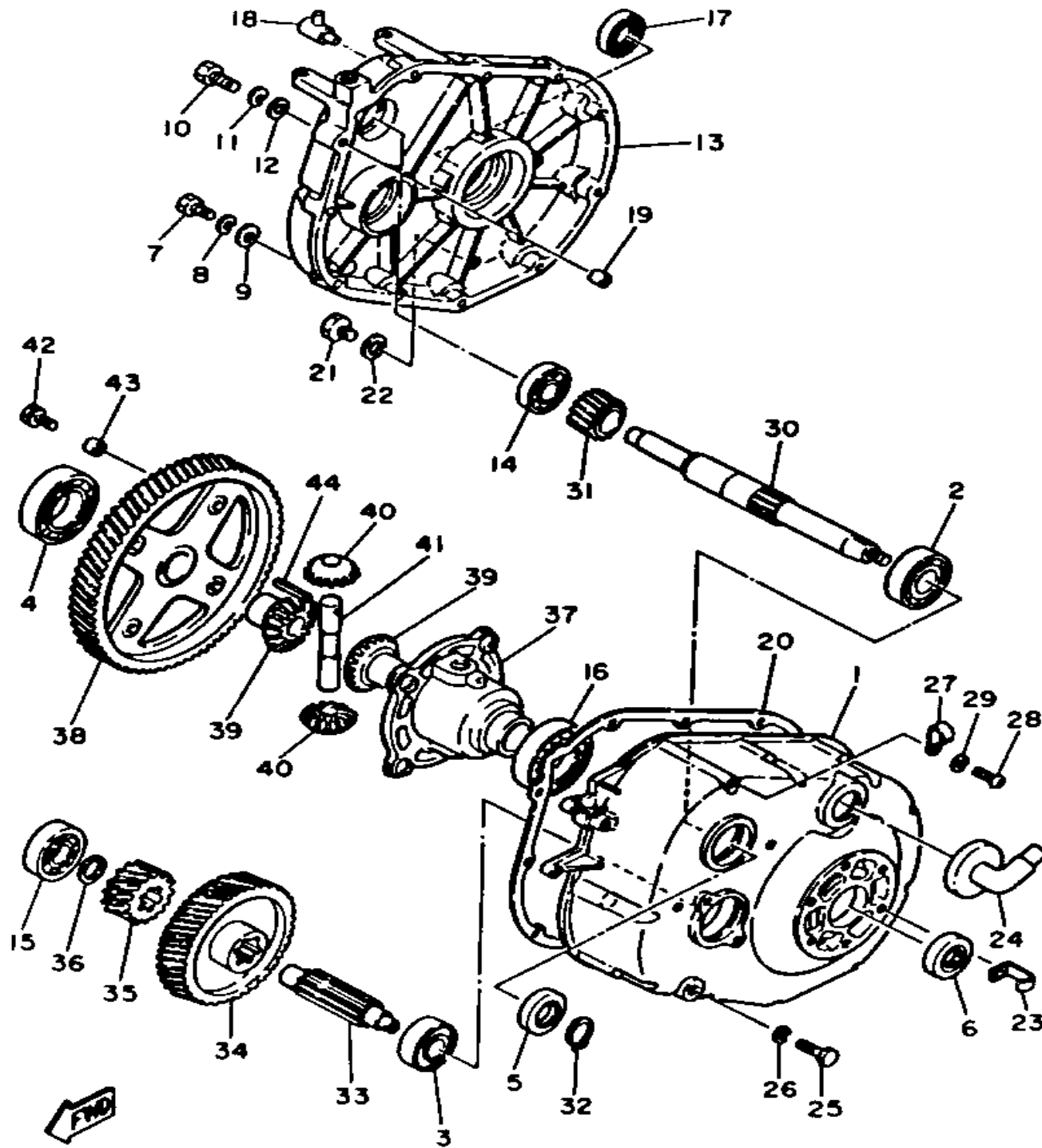
CONTINUED ON NEXT FRAME >

TRANSMISSION 1

Ref. No.	Part Number	Description	Qty	Remarks
30	J10-46321-00-00	SHAFT, INPUT	1	
31	J10-46331-02-00	GEAR, IMPUT 1	1	
32	93410-25017-00	CIRCLIP	1	
33	J10-46351-00-00	SHAFT, COUNTER	1	
34	J10-46361-02-00	GEAR, COUNTER 1	1	
35	J17-46362-00-00	GEAR, COUNTER 2	1	
36	90201-20272-00	WASHER, PLATE	1	
37	J38-46411-01-00	CASE, DIFFERENTIAL	1	
38	J41-46421-00-00	GEAR, RING	1	
39	J38-46414-00-00	GEAR, DIFFERENTIAL SIDE ..	2	
40	J38-46415-00-00	PINION, DIFFERENTIAL	2	
41	J38-46417-02-00	PIN, DIFFERENTIAL	1	
42	90105-08390-00	BOLT, WASHER BASED	4	
43	91812-16001-00	PIN, DOWEL	2	
44	91609-40040-00	PIN, SPRING	1	

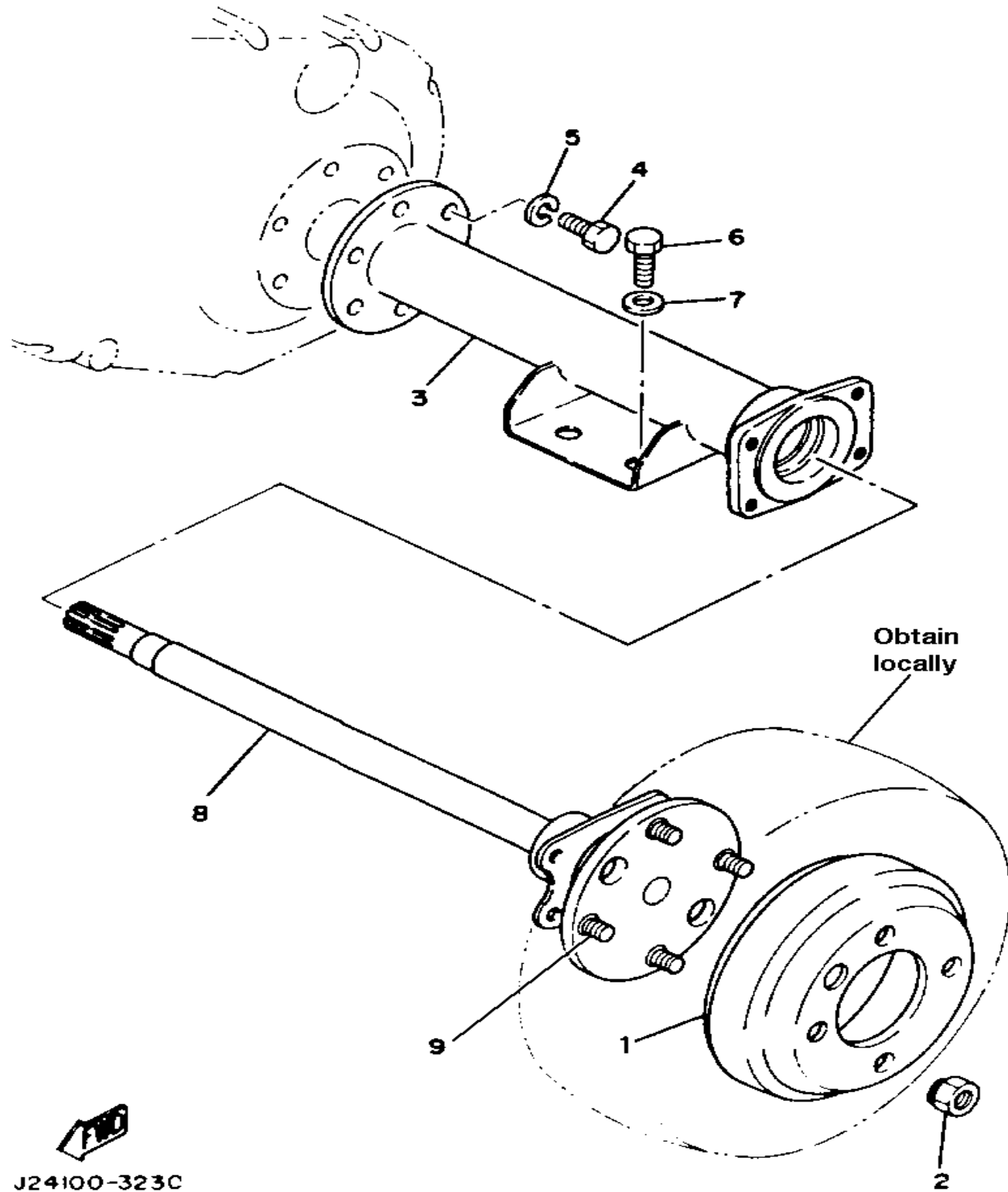
CONTENTS

ACCELERATOR	C4
AIR FILTER	A7-8
AIR SHROUD FAN	A4
ALTERNATE	F4-5
BODY 1	D1-3
BODY 2	D4-6
BODY FITTING	D7-9
BRAKE 1	B11-12,C1
BRAKE 2	C2-3
BUMPER	C11-12
CARBURETOR	A9
CARRIER	D12 ,E1-2
CRANKCASE	A12
CRANKSHAFT PISTON	A3
CYLINDER	A2
ELECTRICAL 1	F1-2
ELECTRICAL 2	F3
EXHAUST	A10-11
FRAME	B2
FRONT SUSPENSION WHEEL	B3-5
FUEL TANK	B9-10
GOVERNOR	C5
HEADLIGHT	E10
INSTRUMENT PANEL	D10
MAGNETO	E8-9
OIL PUMP	A5
OIL TANK	B8
PRIMARY SHEAVE	C6
PUMP DRIVE GEAR	A6
REAR AXLE WHEEL	C10
REAR SHOCKS	B1
SEAT	E3-4
SECONDARY SHEAVE	C7
STARTER PULLEY	E7
STARTING MOTOR	E5-6
STEERING	B6-7
TAILLIGHT	E11
TECHNICAL BULLETINS	ROW K
TRANSMISSION 1	C8-9
URNSIGNAL	E12
WINDSHIELD	D11



J42110-5220

REAR AXLE WHEEL



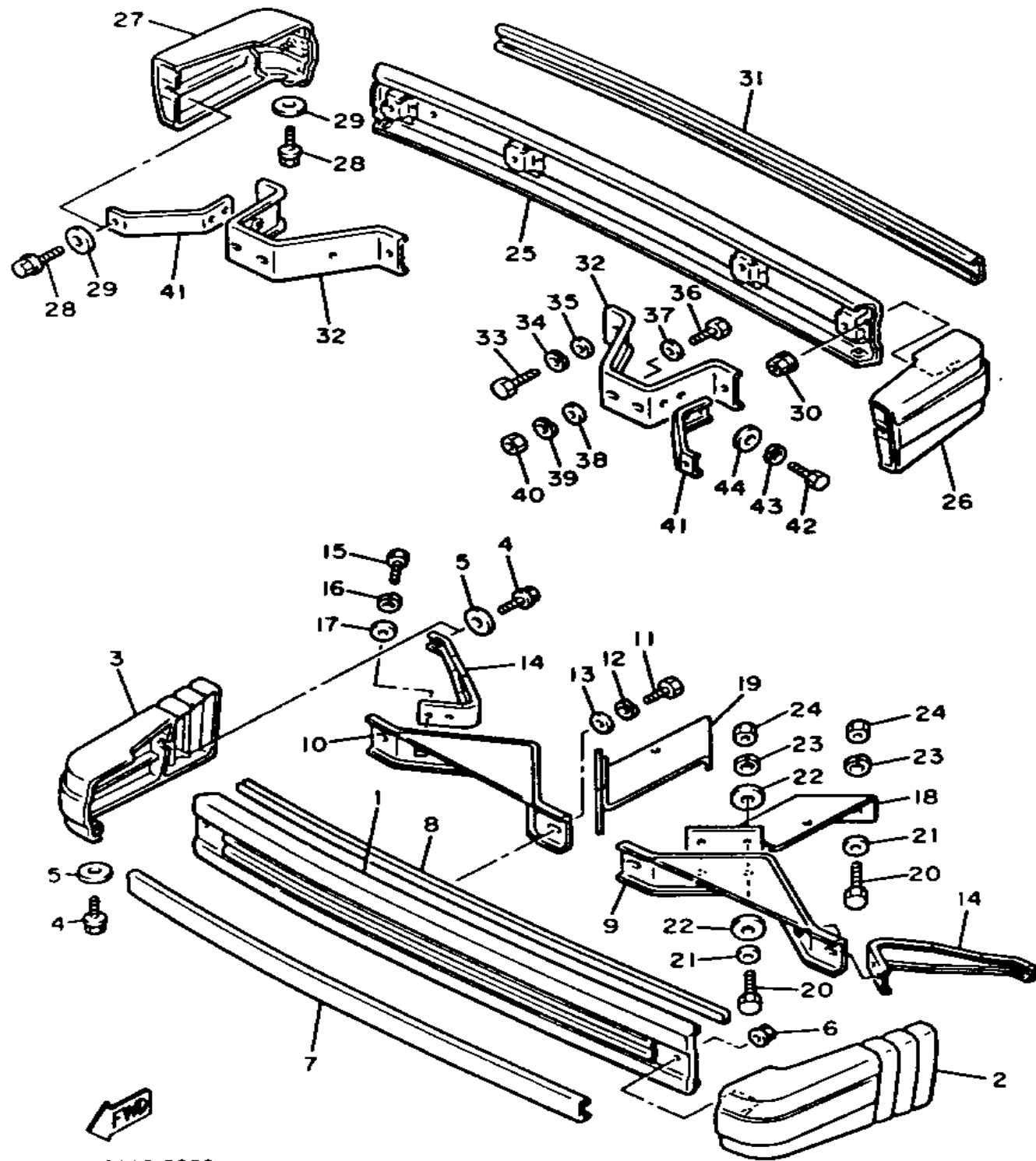
Ref. No.	Part Number	Description	Qty	Remarks
1	J55-G6521-00-00	DRUM	2	
2	90179-12262-00	NUT	8	
3	J10-46540-00-00	REAR AXLE HOUSING 1 COMP	2	
4	97013-08025-00	BOLT	12	
5	92990-08100-00	WASHER	12	
6	97011-10020-00	BOLT	8	
7	92990-10100-00	WASHER, SPRING	8	
8	J17-46510-01-00	REAR AXLE SHAFT 1	2	
9	90114-12004-00	. BOLT, RIBBED NECK	8	

CONTENTS

ACCELERATOR	C4
AIR FILTER	A7-8
AIR SHROUD FAN	A4
ALTERNATE	F4-5
BODY 1	D1-3
BODY 2	D4-6
BODY FITTING	D7-9
BRAKE 1	B11-12,C1
BRAKE 2	C2-3
BUMPER	C11-12
CARBURETOR	A9
CARRIER	D12 ,E1-2
CRANKCASE	A12
CRANKSHAFT PISTON	A3
CYLINDER	A2
ELECTRICAL 1	F1-2
ELECTRICAL 2	F3
EXHAUST	A10-11
FRAME	B2
FRONT SUSPENSION WHEEL	B3-5
FUEL TANK	B9-10
GOVERNOR	C5
HEADLIGHT	E10
INSTRUMENT PANEL	D10
MAGNETO	E8-9
OIL PUMP	A5
OIL TANK	B8
PRIMARY SHEAVE	C6
PUMP DRIVE GEAR	A6
REAR AXLE WHEEL	C10
REAR SHOCKS	B1
SEAT	E3-4
SECONDARY SHEAVE	C7
STARTER PULLEY	E7
STARTING MOTOR	E5-6
STEERING	B6-7
TAILLIGHT	E11
TECHNICAL BULLETINS	ROW K
TRANSMISSION 1	C8-9
URNSIGNAL	E12
WINDSHIELD	D11

J24100-323C

BUMPER



Ref. No.	Part Number	Description	Qty	Remarks
1	J42-78106-00-00	BUMPER SUB-ASSY, FRONT	1	
2	J42-77505-00-00	BUMPER RUBBER COMP. 1	1	
3	J42-77506-00-00	BUMPER RUBBER COMP. 2	1	
4	95816-06016-00	BOLT, FLANGE	4	
5	90201-060A3-00	WASHER, PLATE	4	
6	95701-06500-00	NUT, FLANGE	2	
7	J42-78162-00-00	PAD, FRONT BUMPER	1	
8	J42-77588-00-00	DAMPER	1	
9	J42-78164-00-00	STAY, FRONT BUMPER 1 (J17-78165-00-00)	1	
10	J42-78165-00-00	STAY, FRONT BUMPER 2 (J17-78165-00-00)	1	
11	97022-08016-00	BOLT	4	
12	92990-08100-00	WASHER	4	
13	92990-08600-00	WASHER, PLATE	4	
14	J42-77535-00-00	STAY 1	2	
15	97313-06016-00	BOLT, HEXAGON	4	
16	92995-06100-00	WASHER, SPRING	4	
17	90201-065F3-00	WASHER, PLATE	4	
18	J42-78176-00-00	STAY, FRONT BUMPER 3	1	
19	J42-78177-00-00	STAY, FRONT BUMPER 4	1	
20	97013-08025-00	BOLT	8	
21	92990-08600-00	WASHER, PLATE	8	
22	90201-085E6-00	WASHER, PLATE	8	
23	92990-08100-00	WASHER	8	
24	95333-08600-00	NUT	8	
25	J42-78107-00-00	BUMPER SUB-ASSY, REAR	1	
26	J42-77507-00-00	BUMPER RUBBER COMP. 3	1	
27	J42-77508-00-00	BUMPER RUBBER COMP. 4	1	
28	95816-06016-00	BOLT, FLANGE	4	
29	90201-060A3-00	WASHER, PLATE	4	

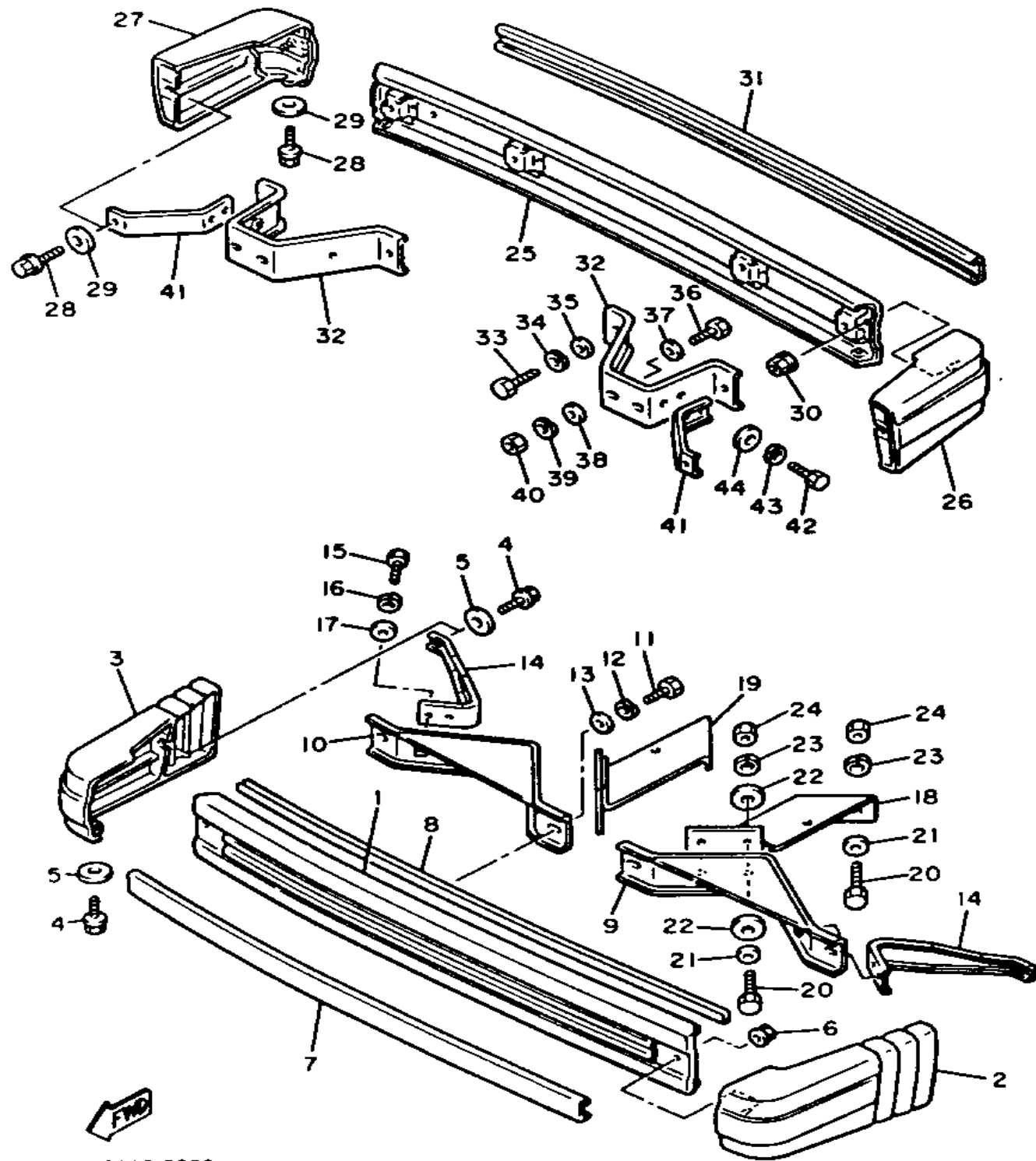
CONTENTS

ACCELERATOR	C4
AIR FILTER	A7-8
AIR SHROUD FAN	A4
ALTERNATE	F4-5
BODY 1	D1-3
BODY 2	D4-6
BODY FITTING	D7-9
BRAKE 1	B11-12,C1
BRAKE 2	C2-3
BUMPER	C11-12
CARBURETOR	A9
CARRIER	D12 ,E1-2
CRANKCASE	A12
CRANKSHAFT PISTON	A3
CYLINDER	A2
ELECTRICAL 1	F1-2
ELECTRICAL 2	F3
EXHAUST	A10-11
FRAME	B2
FRONT SUSPENSION WHEEL	B3-5
FUEL TANK	B9-10
GOVERNOR	C5
HEADLIGHT	E10
INSTRUMENT PANEL	D10
MAGNETO	E8-9
OIL PUMP	A5
OIL TANK	B8
PRIMARY SHEAVE	C6
PUMP DRIVE GEAR	A6
REAR AXLE WHEEL	C10
REAR SHOCKS	B1
SEAT	E3-4
SECONDARY SHEAVE	C7
STARTER PULLEY	E7
STARTING MOTOR	E5-6
STEERING	B6-7
TAILLIGHT	E11
TECHNICAL BULLETINS	ROW K
TRANSMISSION 1	C8-9
URNSIGNAL	E12
WINDSHIELD	D11

CONTINUED ON NEXT FRAME >

J42110-5250

BUMPER



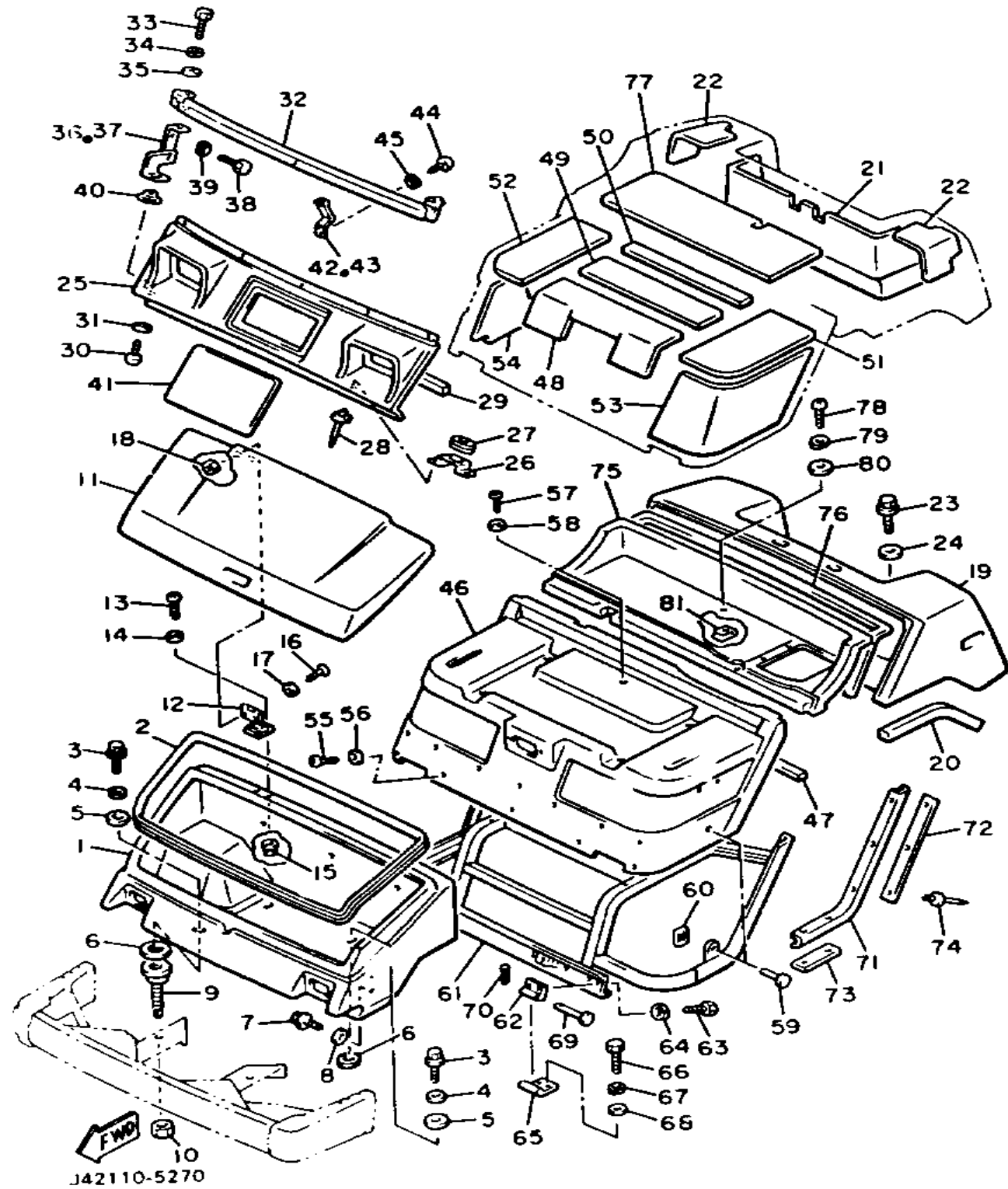
Ref. No.	Part Number	Description	Qty	Remarks
30	95701-06500-00	NUT, FLANGE	2	
31	J42-78162-00-00	PAD, FRONT BUMPER	1	
32	J42-78174-00-00	STAY, REAR BUMPER (J10-78174-01-00)	2	
33	97022-08016-00	BOLT	4	
34	92990-08100-00	WASHER	4	
35	92990-08600-00	WASHER, PLATE	4	
36	97013-08025-00	BOLT	4	
37	92990-08600-00	WASHER, PLATE	4	
38	90201-085E6-00	WASHER, PLATE	4	
39	92990-08100-00	WASHER	4	
40	95303-08600-00	NUT	4	
41	J42-77536-00-00	STAY 2	2	
42	97313-06016-00	BOLT, HEXAGON	4	
43	92995-06100-00	WASHER, SPRING	4	
44	90201-065F3-00	WASHER, PLATE	4	

CONTENTS

ACCELERATOR	C4
AIR FILTER	A7-8
AIR SHROUD FAN	A4
ALTERNATE	F4-5
BODY 1	D1-3
BODY 2	D4-6
BODY FITTING	D7-9
BRAKE 1	B11-12,C1
BRAKE 2	C2-3
BUMPER	C11-12
CARBURETOR	A9
CARRIER	D12 ,E1-2
CRANKCASE	A12
CRANKSHAFT PISTON	A3
CYLINDER	A2
ELECTRICAL 1	F1-2
ELECTRICAL 2	F3
EXHAUST	A10-11
FRAME	B2
FRONT SUSPENSION WHEEL	B3-5
FUEL TANK	B9-10
GOVERNOR	C5
HEADLIGHT	E10
INSTRUMENT PANEL	D10
MAGNETO	E8-9
OIL PUMP	A5
OIL TANK	B8
PRIMARY SHEAVE	C6
PUMP DRIVE GEAR	A6
REAR AXLE WHEEL	C10
REAR SHOCKS	B1
SEAT	E3-4
SECONDARY SHEAVE	C7
STARTER PULLEY	E7
STARTING MOTOR	E5-6
STEERING	B6-7
TAILLIGHT	E11
TECHNICAL BULLETINS	ROW K
TRANSMISSION 1	C8-9
URNSIGNAL	E12
WINDSHIELD	D11

J42110-5250

BODY 1



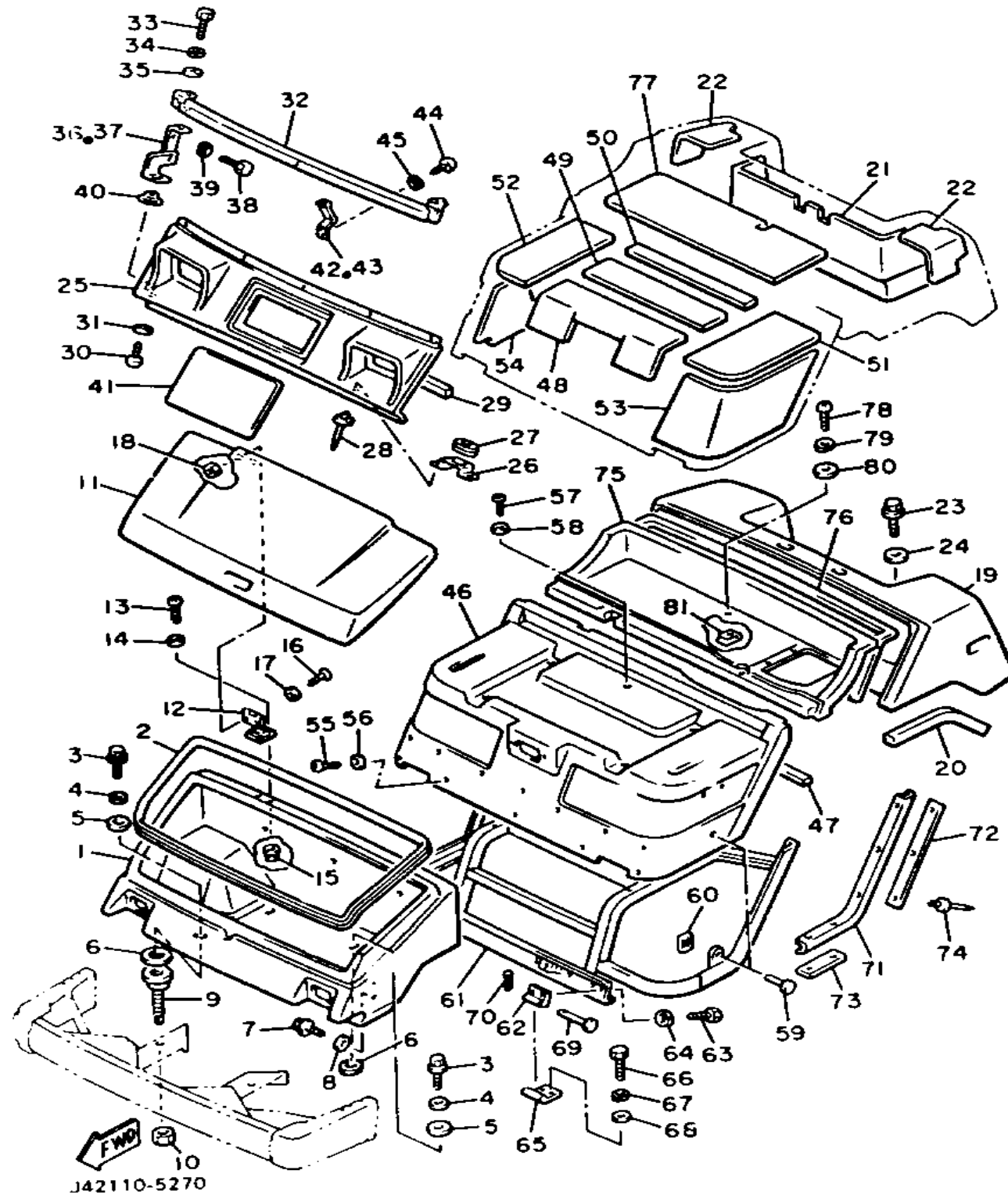
Ref. No.	Part Number	Description	Qty	Remarks
1	J42-7810A-00-00	FRONT COMP	1	
2	J42-7815G-00-00	SEAL, FRONT STORAGE	1	
3	95811-08030-00	BOLT, FLANGE	4	
4	90201-084K7-00	WASHER, PLATE	4	
5	90202-09167-00	WASHER, PLATE	6	
6	90202-09169-00	WASHER, PLATE	4	
7	90119-06063-00	BOLT, WITH WASHER	4	
8	90201-06074-00	WASHER, PLATE	4	
9	J42-77519-00-00	BOLT	2	
10	95301-14700-00	NUT	2	
11	J42-7810E-01-00	FRONT STORAGE LID COMP (J42-7810E-00-00)	1	
12	J42-78153-00-00	HINGE, FRONT LID	2	
13	98511-04025-00	SCREW, PAN HEAD	8	
14	92990-04200-00	WASHER, PLAIN	8	
15	95701-04300-00	NUT, FLANGE	8	
16	98701-05016-00	SCREW, FLAT HEAD	4	
17	92990-05200-00	WASHER, PLAIN	4	
18	95701-05300-00	NUT, NYLON	4	
19	J42-7810H-01-00	REAR BODY COMP (J42-7810H-00-00)	1	
20	J42-7814E-00-00	SEAL, BODY SIDE 1	2	
21	J42-7825A-01-00	PAD, SILENCER 10	1	
22	J42-7825E-01-00	PAD, SILENCER 11	2	
23	95821-08020-00	BOLT, FLANGE (95811-08020-00)	4	
24	90201-084K7-00	WASHER, PLATE	4	
25	J42-7811J-00-00	BASE, HEADLIGHT	1	
26	J42-77723-01-00	BRACKET 3	2	
27	90480-22084-00	GROMMET	2	
28	90267-40075-00	RIVET, BLIND	4	

CONTENTS

ACCELERATOR	C4
AIR FILTER	A7-8
AIR SHROUD FAN	A4
ALTERNATE	F4-5
BODY 1	D1-3
BODY 2	D4-6
BODY FITTING	D7-9
BRAKE 1	B11-12,C1
BRAKE 2	C2-3
BUMPER	C11-12
CARBURETOR	A9
CARRIER	D12 ,E1-2
CRANKCASE	A12
CRANKSHAFT PISTON	A3
CYLINDER	A2
ELECTRICAL 1	F1-2
ELECTRICAL 2	F3
EXHAUST	A10-11
FRAME	B2
FRONT SUSPENSION WHEEL	B3-5
FUEL TANK	B9-10
GOVERNOR	C5
HEADLIGHT	E10
INSTRUMENT PANEL	D10
MAGNETO	E8-9
OIL PUMP	A5
OIL TANK	B8
PRIMARY SHEAVE	C6
PUMP DRIVE GEAR	A6
REAR AXLE WHEEL	C10
REAR SHOCKS	B1
SEAT	E3-4
SECONDARY SHEAVE	C7
STARTER PULLEY	E7
STARTING MOTOR	E5-6
STEERING	B6-7
TAILLIGHT	E11
TECHNICAL BULLETINS	ROW K
TRANSMISSION 1	C8-9
URNSIGNAL	E12
WINDSHIELD	D11

CONTINUED ON NEXT FRAME ►

BODY 1



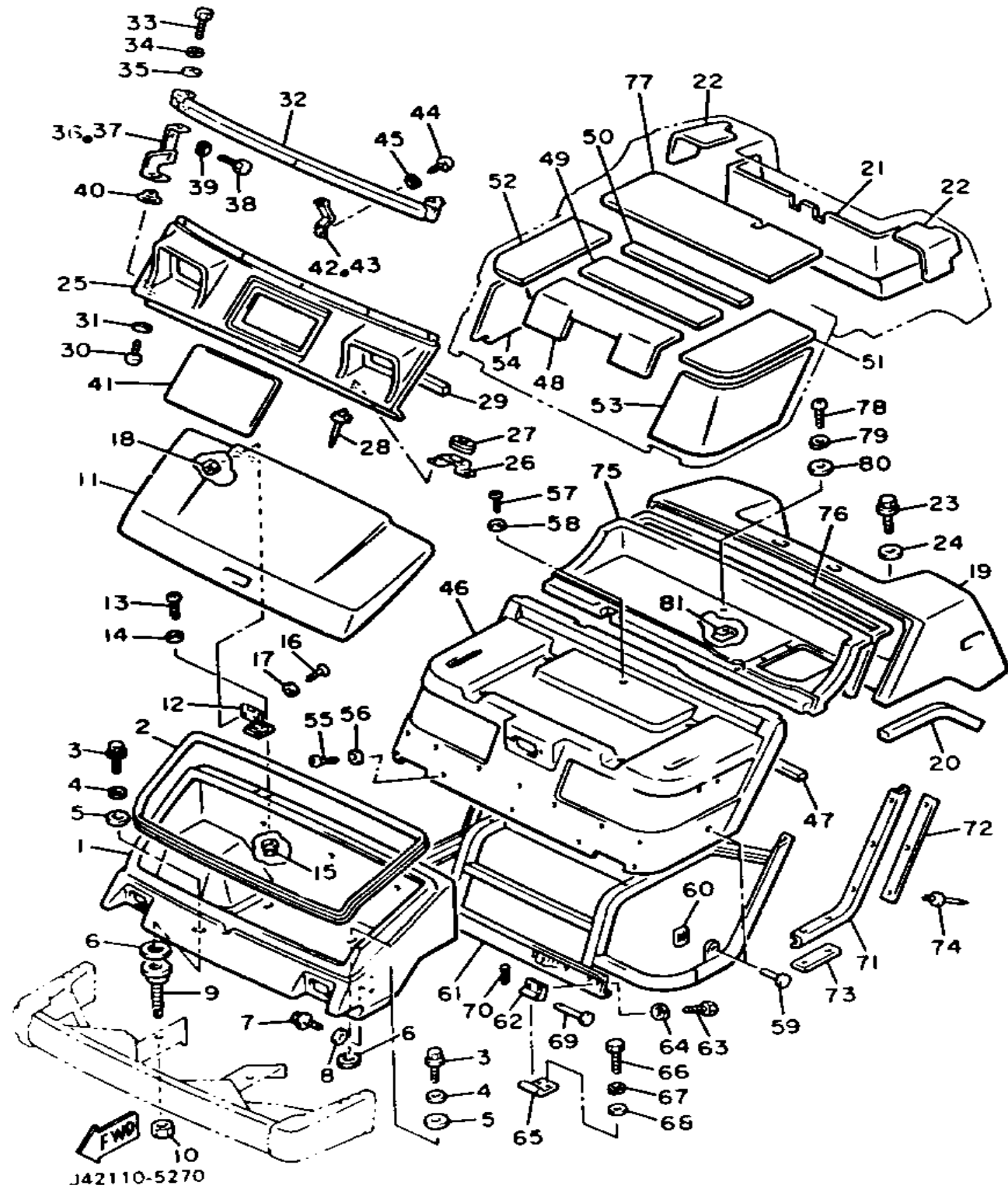
Ref. No.	Part Number	Description	Qty	Remarks
29	J42-78247-01-00	SEAL 3	1	
30	97706-50125-00	SCREW, TAPPING	2	
31	90201-05033-00	WASHER, PLATE	2	
32	J42-78122-01-00	REINFORCEMENT 2	1	
33	97313-06016-00	BOLT, HEXAGON	2	
34	92995-06100-00	WASHER, SPRING	2	
35	90201-06074-00	WASHER, PLATE	2	
36	J42-77721-01-00	BRACKET 1	1	
37	J42-77722-01-00	BRACKET 2	1	
38	97313-08020-00	BOLT, HEXAGON	4	
39	92990-08100-00	WASHER	4	
40	90480-07241-00	GROMMET	2	
41	J42-7813H-00-00	COVER, VENTILATOR	1	
42	J42-7813M-00-00	HINGE, VENTILATOR (L.H)	1	
43	J42-7813N-00-00	HINGE, VENTILATOR 2	1	
44	97780-50612-00	SCREW, TAPPING	4	
45	92990-05100-00	WASHER, SPRING	4	
46	J42-78141-00-00	PANEL, INTERMEDIATE BODY	1	
47	J42-7814A-01-00	SEAL, BODY UPPER	1	
48	J42-78251-00-00	PAD, SILENCER 1	1	
49	J42-78252-00-00	PAD, SILENCER 2	1	
50	J42-78253-00-00	PAD, SILENCER3	1	
51	J42-78254-00-00	PAD, SILENCER 4	1	
52	J42-78255-00-00	PAD, SILENCER 5	1	
53	J42-78256-00-00	PAD, SILENCER 6	1	
54	J42-78257-00-00	PAD, SILENCER 7	1	
55	98980-06025-00	SCREW, BIND	2	
56	90201-06697-00	WASHER, PLATE	2	
57	97780-50612-00	SCREW, TAPPING	1	
58	90201-05556-00	WASHER, PLATE	1	

CONTENTS

ACCELERATOR	C4
AIR FILTER	A7-8
AIR SHROUD FAN	A4
ALTERNATE	F4-5
BODY 1	D1-3
BODY 2	D4-6
BODY FITTING	D7-9
BRAKE 1	B11-12,C1
BRAKE 2	C2-3
BUMPER	C11-12
CARBURETOR	A9
CARRIER	D12 ,E1-2
CRANKCASE	A12
CRANKSHAFT PISTON	A3
CYLINDER	A2
ELECTRICAL 1	F1-2
ELECTRICAL 2	F3
EXHAUST	A10-11
FRAME	B2
FRONT SUSPENSION WHEEL	B3-5
FUEL TANK	B9-10
GOVERNOR	C5
HEADLIGHT	E10
INSTRUMENT PANEL	D10
MAGNETO	E8-9
OIL PUMP	A5
OIL TANK	B8
PRIMARY SHEAVE	C6
PUMP DRIVE GEAR	A6
REAR AXLE WHEEL	C10
REAR SHOCKS	B1
SEAT	E3-4
SECONDARY SHEAVE	C7
STARTER PULLEY	E7
STARTING MOTOR	E5-6
STEERING	B6-7
TAILLIGHT	E11
TECHNICAL BULLETINS	ROW K
TRANSMISSION 1	C8-9
URNSIGNAL	E12
WINDSHIELD	D11

CONTINUED ON NEXT FRAME ►

BODY 1

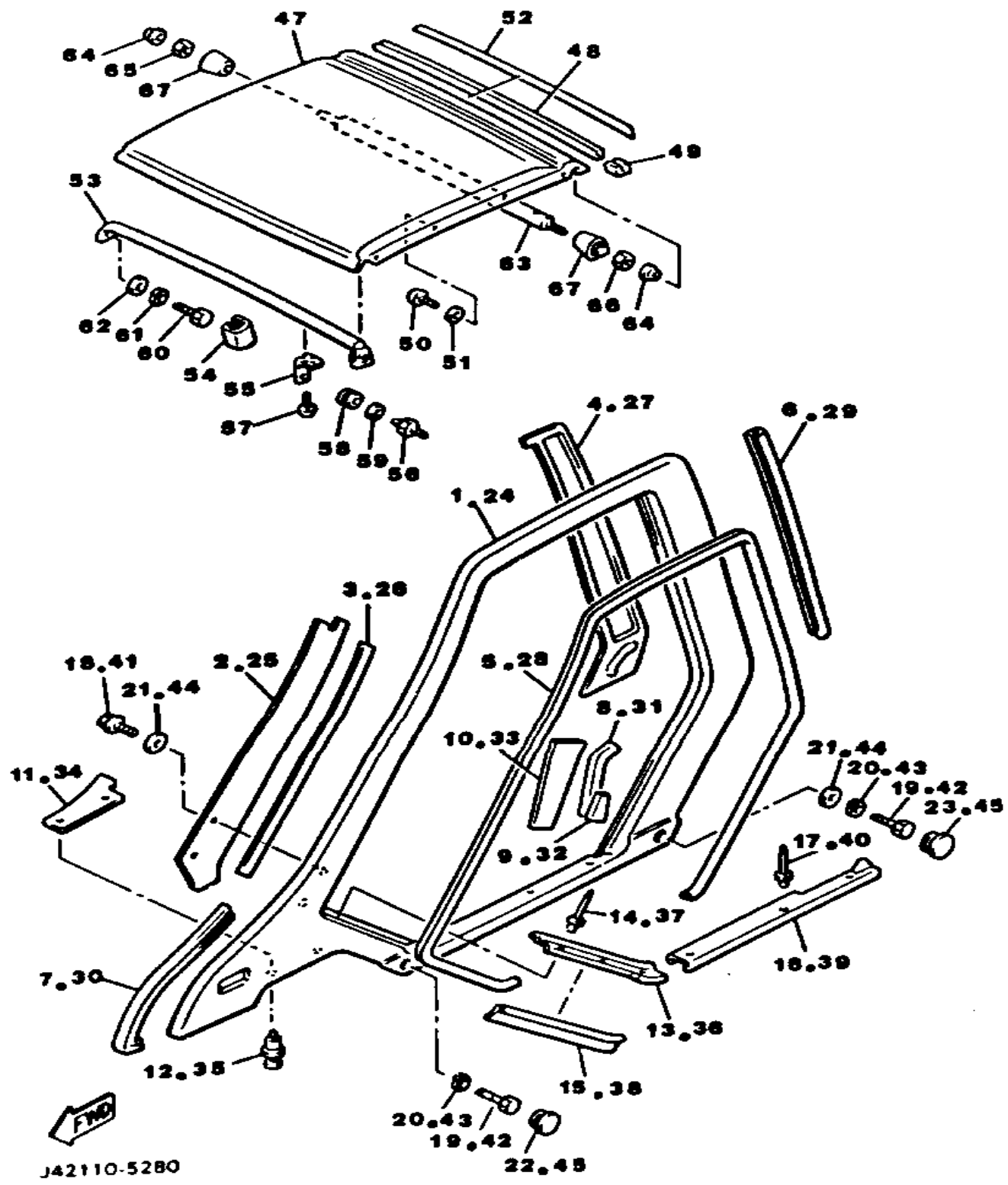


Ref. No.	Part Number	Description	Qty	Remarks
59	90338-06184-00	PLUG	2	
60	90183-06011-00	NUT, SPRING	2	
61	J42-78121-00-00	REINFORCEMENT 1	1	
	J42-78121-01-00	REINFORCEMENT 1 0 1	1	122~
62	J55-K8143-00-00	HINGE, INTERMEDIATE BODY 1	2	
63	97003-06012-00	BOLT (97001-06012-00)	4	
64	92990-06100-00	WASHER, SPRING	4	
65	J55-K8144-00-00	HINGE, INTERMEDIATE BODY 2	2	
66	97011-06025-00	BOLT (97001-06025-00)	4	
67	92995-06100-00	WASHER, SPRING	4	
68	92990-06600-00	WASHER, PLATE	4	
69	91790-06125-00	PIN, CLEVIS	2	
70	91490-20015-00	PIN, COTTER	2	
71	J42-7814V-01-00	SEAL, BODY SIDE 6	2	
72	J42-7815A-00-00	PLATE, SEAL SUPPORT 1 ...	2	
73	J42-7815E-00-00	PLATE, SEAL SUPPORT 2 ...	2	
74	90267-32108-00	RIVET, BLIND	10	
75	J42-7810L-01-00	INSPECTION, LID	1	
76	J42-78159-00-00	SEAL, INSPECTION LID	1	
77	J42-78259-00-00	PAD, SILENCER 9	1	
78	98580-06016-00	SCREW, PAN HEAD	3	
79	92995-06100-00	WASHER, SPRING	3	
80	90201-06697-00	WASHER, PLATE	3	
81	90183-06028-00	NUT, SPRING	1	

CONTENTS

ACCELERATOR	C4
AIR FILTER	A7-8
AIR SHROUD FAN	A4
ALTERNATE	F4-5
BODY 1	D1-3
BODY 2	D4-6
BODY FITTING	D7-9
BRAKE 1	B11-12,C1
BRAKE 2	C2-3
BUMPER	C11-12
CARBURETOR	A9
CARRIER	D12 ,E1-2
CRANKCASE	A12
CRANKSHAFT PISTON	A3
CYLINDER	A2
ELECTRICAL 1	F1-2
ELECTRICAL 2	F3
EXHAUST	A10-11
FRAME	B2
FRONT SUSPENSION WHEEL	B3-5
FUEL TANK	B9-10
GOVERNOR	C5
HEADLIGHT	E10
INSTRUMENT PANEL	D10
MAGNETO	E8-9
OIL PUMP	A5
OIL TANK	B8
PRIMARY SHEAVE	C6
PUMP DRIVE GEAR	A6
REAR AXLE WHEEL	C10
REAR SHOCKS	B1
SEAT	E3-4
SECONDARY SHEAVE	C7
STARTER PULLEY	E7
STARTING MOTOR	E5-6
STEERING	B6-7
TAILLIGHT	E11
TECHNICAL BULLETINS	ROW K
TRANSMISSION 1	C8-9
URNSIGNAL	E12
WINDSHIELD	D11

BODY 2



J42110-5280

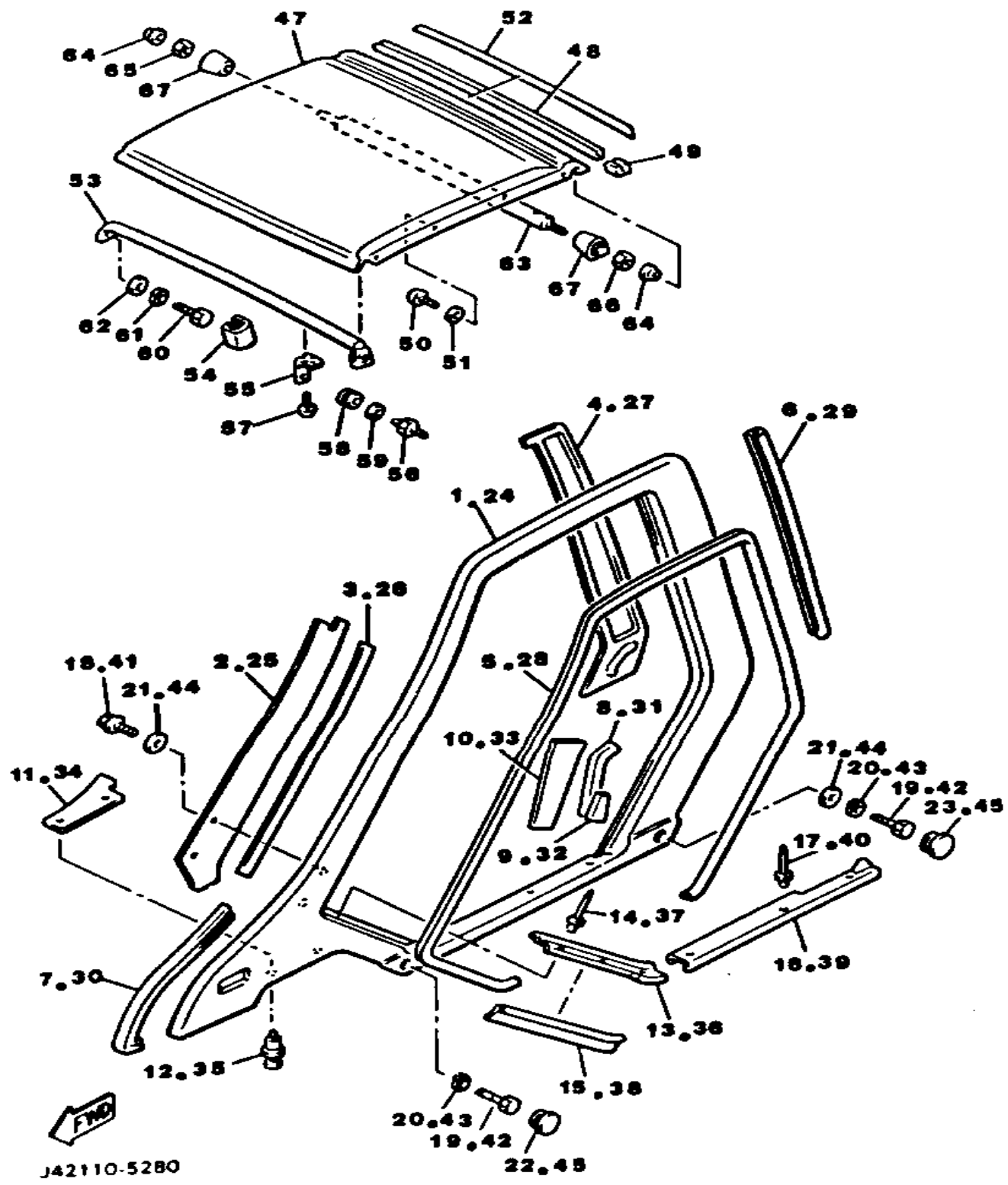
Ref. No.	Part Number	Description	Qty	Remarks
1	J42-7810F-00-00	SIDE PANEL COMP. (L.H)	1	
2	J42-7817A-00-00	COVER, FRONT PILLER (L.H)	1	
3	J42-7717F-00-00	TAPE 2	1	
4	J42-7817F-00-00	COVER, REAR PILLER (L.H)	1	
5	J42-7817H-00-00	TRIM, SIDE PANEL 1	1	
6	J42-7817J-00-00	TRIM, SIDE PANEL 2	1	
7	J42-7817K-00-00	TRIM, SIDE PANEL 3	1	
8	J42-7814F-00-00	SEAL, BODY SIDE 2	1	
9	J42-7814R-00-00	SEAL, BODY SIDE (L.H)	1	
10	J42-7825J-00-00	PAD, SILENCER 15	1	
11	J42-7818J-00-00	FLAP, SIDE PANEL	1	
12	90269-07048-00	RIVET	2	
13	J42-7811L-00-00	TRIM, COWL SIDE (L.H)	1	
14	90267-48051-00	RIVET, BLIND	3	
15	J42-7814T-01-00	SEAL, BODY SIDE 4	1	
16	J42-78249-01-00	TRIM, FLOOR	1	
17	90267-48051-00	RIVET, BLIND	3	
18	95821-08020-00	BOLT, FLANGE (95811-08020-00)	4	
19	97313-08020-00	BOLT, HEXAGON	2	
20	92990-08100-00	WASHER	2	
21	90201-084K3-00	WASHER, PLATE	5	
22	90338-24177-00	PLUG	1	
23	90338-40178-00	PLUG	1	
24	J42-7810G-00-00	SIDE PANEL COMP. (R.H)	1	
25	J42-7817E-00-00	COVER, FRONT PILLER (R.H)	1	
26	J42-7717F-00-00	TAPE 2	1	
27	J42-7817G-00-00	COVER, REAR PILLER (R.H)	1	
28	J42-7817H-00-00	TRIM, SIDE PANEL 1	1	
29	J42-7817J-00-00	TRIM, SIDE PANEL 2	1	

CONTINUED ON NEXT FRAME >

CONTENTS

ACCELERATOR	C4
AIR FILTER	A7-8
AIR SHROUD FAN	A4
ALTERNATE	F4-5
BODY 1	D1-3
BODY 2	D4-6
BODY FITTING	D7-9
BRAKE 1	B11-12,C1
BRAKE 2	C2-3
BUMPER	C11-12
CARBURETOR	A9
CARRIER	D12 ,E1-2
CRANKCASE	A12
CRANKSHAFT PISTON	A3
CYLINDER	A2
ELECTRICAL 1	F1-2
ELECTRICAL 2	F3
EXHAUST	A10-11
FRAME	B2
FRONT SUSPENSION WHEEL	B3-5
FUEL TANK	B9-10
GOVERNOR	C5
HEADLIGHT	E10
INSTRUMENT PANEL	D10
MAGNETO	E8-9
OIL PUMP	A5
OIL TANK	B8
PRIMARY SHEAVE	C6
PUMP DRIVE GEAR	A6
REAR AXLE WHEEL	C10
REAR SHOCKS	B1
SEAT	E3-4
SECONDARY SHEAVE	C7
STARTER PULLEY	E7
STARTING MOTOR	E5-6
STEERING	B6-7
TAILLIGHT	E11
TECHNICAL BULLETINS	ROW K
TRANSMISSION 1	C8-9
URNSIGNAL	E12
WINDSHIELD	D11

BODY 2



J42110-5280

Ref. No.	Part Number	Description	Qty	Remarks
30	J42-7817K-00-00	TRIM, SIDE PANEL 3	1	
31	J42-7814F-00-00	SEAL, BODY SIDE 2	1	
32	J42-7814R-00-00	SEAL, BODY SIDE (L.H)	1	
33	J42-7825J-00-00	PAD, SILENCER 15	1	
34	J42-7818J-00-00	FLAP, SIDE PANEL	1	
35	90269-07048-00	RIVET	2	
36	J42-7811M-00-00	TRIM, COWL SIDE (R.H)	1	
37	90267-48051-00	RIVET, BLIND	3	
38	J42-7814T-01-00	SEAL, BODY SIDE 4	1	
39	J42-7824A-01-00	TRIM, FLOOR 2	1	
40	90267-48051-00	RIVET, BLIND	3	
41	95821-08020-00	BOLT, FLANGE (95811-08020-00)	4	
42	97313-08020-00	BOLT, HEXAGON	2	
43	92990-08100-00	WASHER	2	
44	90201-084K3-00	WASHER, PLATE	5	
45	90338-24177-00	PLUG	1	
46	90338-40178-00	PLUG	1	
47	J42-78314-00-00	COVER, SUN ROOF	1	
48	J42-78315-00-00	TRIM, ROOF	1	
49	J42-7831K-00-00	END, ROOF TRIM	2	
50	97780-50320-00	SCREW, TAPPING	8	
51	90209-05275-00	WASHER	8	
52	J42-7832A-00-00	REFLECTOR, SUN ROOF	1	
53	J42-78312-01-00	SUPPORT, SUN ROOF 1	1	
54	J42-78349-02-00	CAP, SUPPORT ROOF	2	
55	J42-78381-00-00	BRACKET, MIRROR	2	
56	J42-78382-00-00	JOINT, SCREW	2	
57	97706-40510-00	SCREW, TAPPING	6	
58	90480-14229-00	GROMMET	2	

CONTENTS

ACCELERATOR	C4
AIR FILTER	A7-8
AIR SHROUD FAN	A4
ALTERNATE	F4-5
BODY 1	D1-3
BODY 2	D4-6
BODY FITTING	D7-9
BRAKE 1	B11-12,C1
BRAKE 2	C2-3
BUMPER	C11-12
CARBURETOR	A9
CARRIER	D12 ,E1-2
CRANKCASE	A12
CRANKSHAFT PISTON	A3
CYLINDER	A2
ELECTRICAL 1	F1-2
ELECTRICAL 2	F3
EXHAUST	A10-11
FRAME	B2
FRONT SUSPENSION WHEEL	B3-5
FUEL TANK	B9-10
GOVERNOR	C5
HEADLIGHT	E10
INSTRUMENT PANEL	D10
MAGNETO	E8-9
OIL PUMP	A5
OIL TANK	B8
PRIMARY SHEAVE	C6
PUMP DRIVE GEAR	A6
REAR AXLE WHEEL	C10
REAR SHOCKS	B1
SEAT	E3-4
SECONDARY SHEAVE	C7
STARTER PULLEY	E7
STARTING MOTOR	E5-6
STEERING	B6-7
TAILLIGHT	E11
TECHNICAL BULLETINS	ROW K
TRANSMISSION 1	C8-9
URNSIGNAL	E12
WINDSHIELD	D11

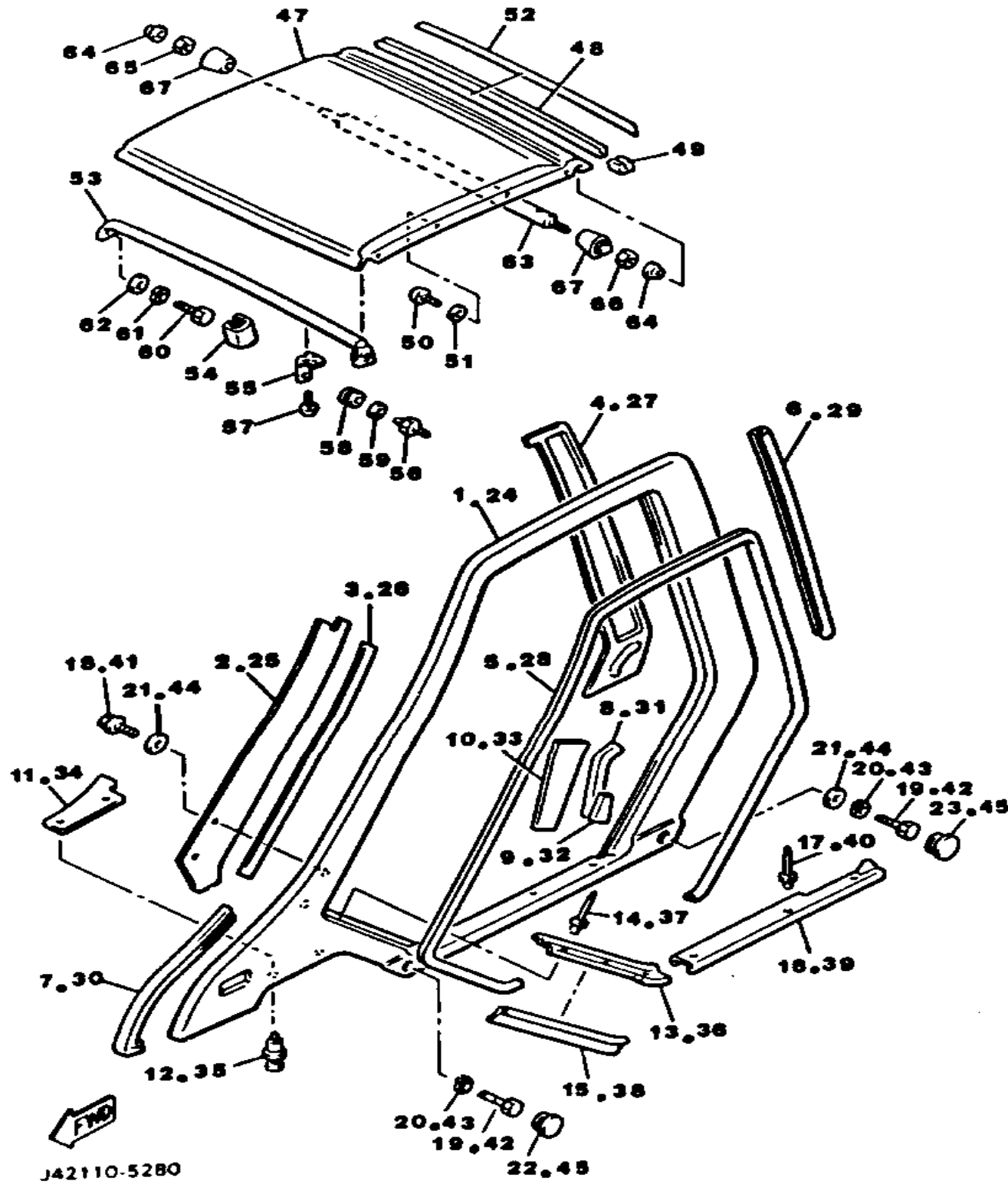
CONTINUED ON NEXT FRAME >

BODY 2

Ref. No.	Part Number	Description	Qty	Remarks
59	90209-10229-00	WASHER	2	
60	97013-08025-00	BOLT	2	
61	92990-08100-00	WASHER	2	
62	90201-08730-00	WASHER, PLATE	2	
63	J42-78313-00-00	SUPPORT, SUN ROOF 2	1	
64	90560-10023-00	SPACER	2	
65	95303-10600-00	NUT (95301-10600-00)	1	
66	90170-10186-00	NUT	1	
67	J42-7832F-01-00	GROMMET, ROOF SUPPORT 1	2	

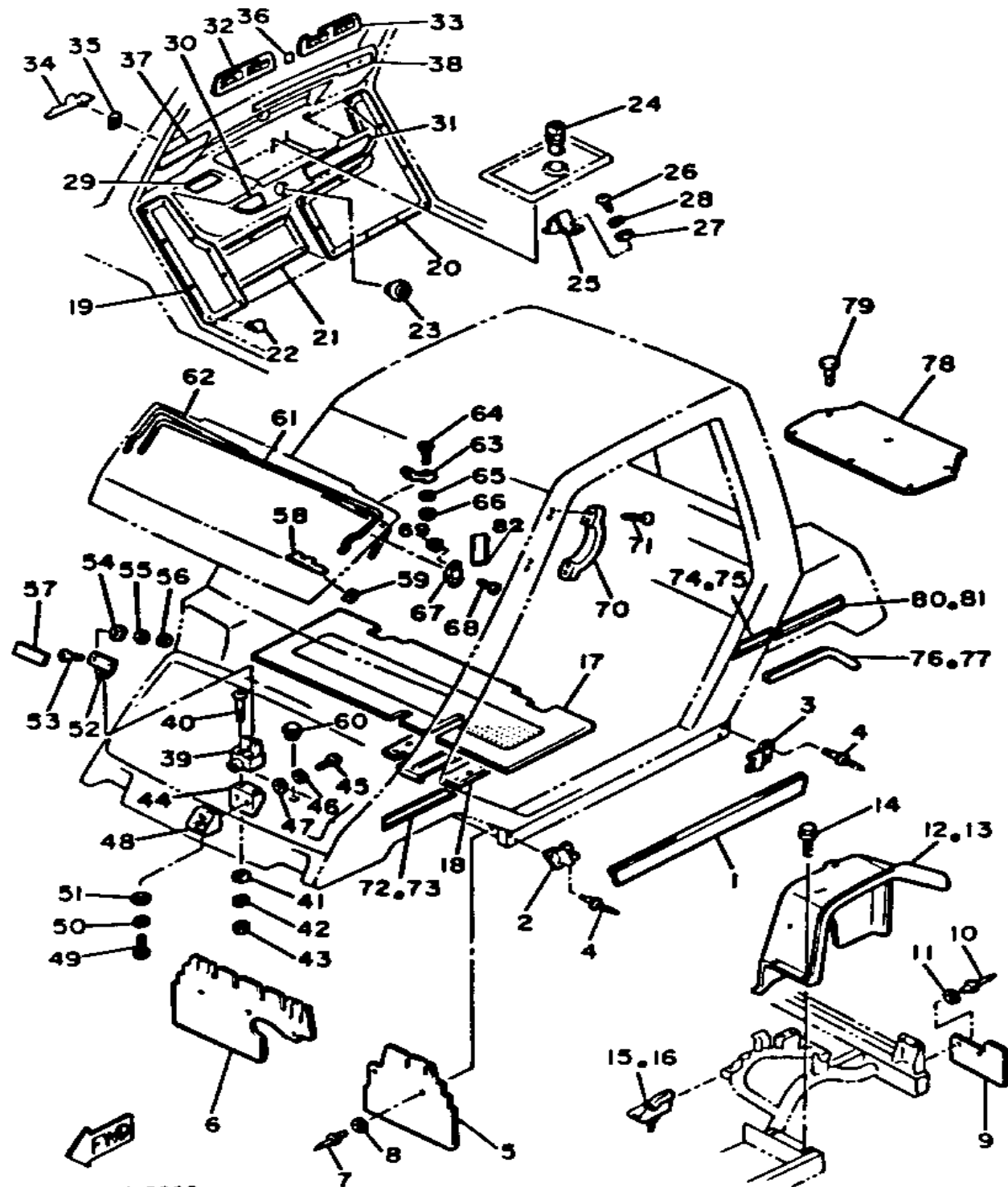
CONTENTS

ACCELERATOR	C4
AIR FILTER	A7-8
AIR SHROUD FAN	A4
ALTERNATE	F4-5
BODY 1	D1-3
BODY 2	D4-6
BODY FITTING	D7-9
BRAKE 1	B11-12,C1
BRAKE 2	C2-3
BUMPER	C11-12
CARBURETOR	A9
CARRIER	D12 ,E1-2
CRANKCASE	A12
CRANKSHAFT PISTON	A3
CYLINDER	A2
ELECTRICAL 1	F1-2
ELECTRICAL 2	F3
EXHAUST	A10-11
FRAME	B2
FRONT SUSPENSION WHEEL	B3-5
FUEL TANK	B9-10
GOVERNOR	C5
HEADLIGHT	E10
INSTRUMENT PANEL	D10
MAGNETO	E8-9
OIL PUMP	A5
OIL TANK	B8
PRIMARY SHEAVE	C6
PUMP DRIVE GEAR	A6
REAR AXLE WHEEL	C10
REAR SHOCKS	B1
SEAT	E3-4
SECONDARY SHEAVE	C7
STARTER PULLEY	E7
STARTING MOTOR	E5-6
STEERING	B6-7
TAILLIGHT	E11
TECHNICAL BULLETINS	ROW K
TRANSMISSION 1	C8-9
URNSIGNAL	E12
WINDSHIELD	D11



D6

BODY FITTING



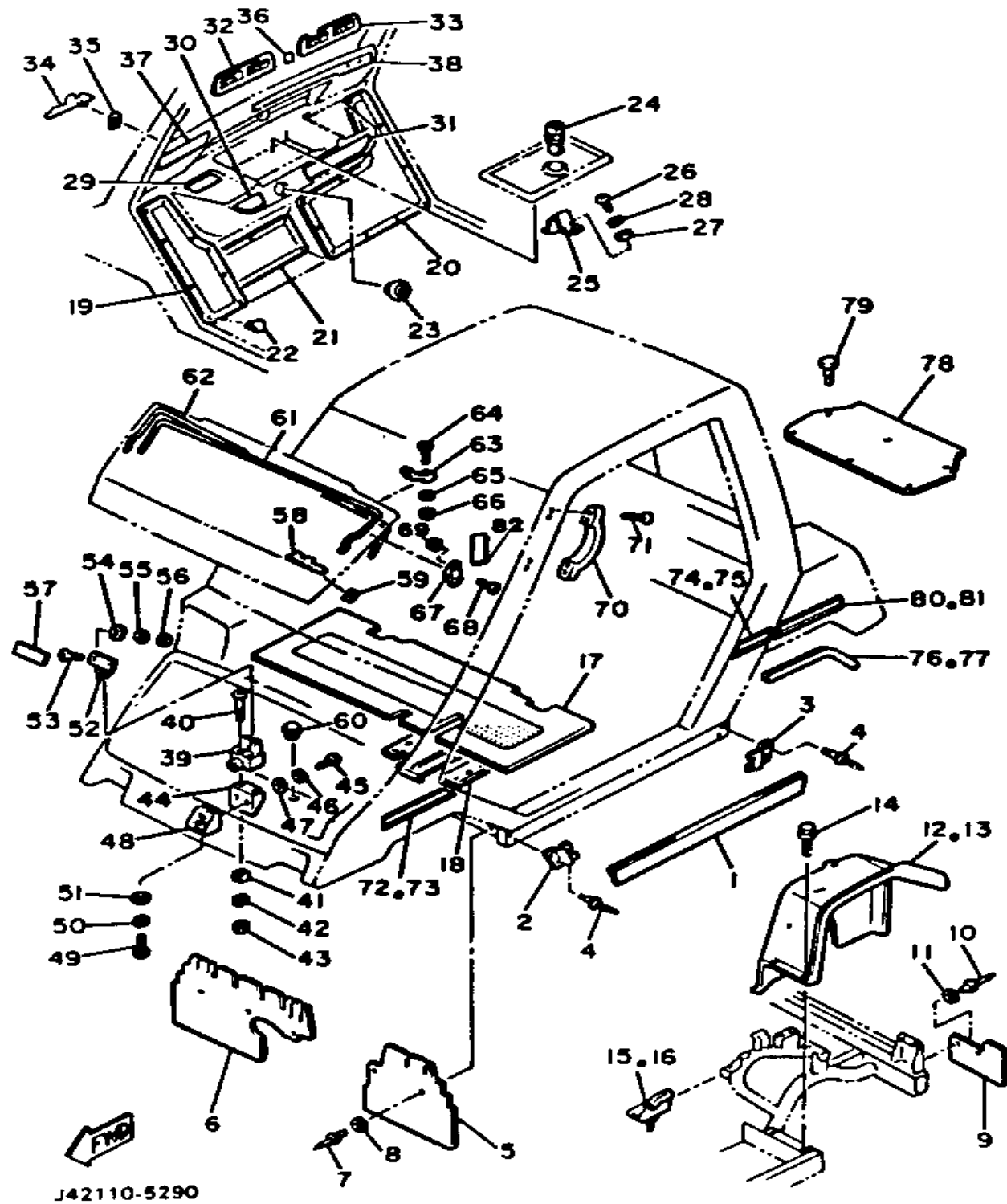
Ref. No.	Part Number	Description	Qty	Remarks
1	J42-7818A-00-00	PROTECTOR, SIDE PLATE . . .	2	
2	J42-78183-00-00	PLATE, SIDE SILL (L.H)	2	
3	J42-78184-00-00	PLATE, SIDE SILL (R.H)	2	
4	90267-48116-00	RIVET, BLIND	8	
5	J42-78187-00-00	FLAP, FRONT FENDER	1	
6	J42-78189-00-00	FLAP, FRONT FENDER (R.H) . . .	1	
7	90267-40075-00	RIVET, BLIND	5	
8	90201-05034-00	WASHER, PLATE	5	
9	J42-78199-00-00	FLAP, REAR 2	2	
10	90267-40075-00	RIVET, BLIND	4	
11	90201-05034-00	WASHER, PLATE	4	
12	J24-78191-00-00	PANEL, RR FENDER 1	1	
13	J24-78192-00-00	PANEL, RR FENDER 2	1	
14	90119-06029-00	BOLT, WITH WASHER	8	
15	J42-78221-01-00	SHEET, BODY MOUNTING 1 . . .	1	
16	J42-78222-01-00	SHEET, BODY MOUNTING 2 . . .	1	
17	J42-78231-02-00	MAT, MAIN FLOOR 1 (J42-78231-01-00)	1	
18	J42-78271-00-00	SERVICE LID, PEDAL	1	
19	J42-78232-00-00	MAT, MAIN FLOOR 2	1	
20	J42-78233-01-00	MAT, MAIN FLOOR 3	1	
21	J42-78236-01-00	MAT, PEDAL FLOOR	1	
22	90267-63047-00	RIVET, BLIND	26	
23	J42-77740-01-00	GROMMET, INSTRUMENT PANEL	1	
24	25G-21708-00-00	SIDE COVER LOCK ASSY (J42-21708-00-00)	1	
25	J42-78319-00-00	HOOK, END 2	1	
26	97780-50612-00	SCREW, TAPPING	2	
27	92901-05600-00	WASHER, PLATE	2	
28	92990-05100-00	WASHER, SPRING	2	

CONTENTS

ACCELERATOR	C4
AIR FILTER	A7-8
AIR SHROUD FAN	A4
ALTERNATE	F4-5
BODY 1	D1-3
BODY 2	D4-6
BODY FITTING	D7-9
BRAKE 1	B11-12,C1
BRAKE 2	C2-3
BUMPER	C11-12
CARBURETOR	A9
CARRIER	D12 ,E1-2
CRANKCASE	A12
CRANKSHAFT PISTON	A3
CYLINDER	A2
ELECTRICAL 1	F1-2
ELECTRICAL 2	F3
EXHAUST	A10-11
FRAME	B2
FRONT SUSPENSION WHEEL	B3-5
FUEL TANK	B9-10
GOVERNOR	C5
HEADLIGHT	E10
INSTRUMENT PANEL	D10
MAGNETO	E8-9
OIL PUMP	A5
OIL TANK	B8
PRIMARY SHEAVE	C6
PUMP DRIVE GEAR	A6
REAR AXLE WHEEL	C10
REAR SHOCKS	B1
SEAT	E3-4
SECONDARY SHEAVE	C7
STARTER PULLEY	E7
STARTING MOTOR	E5-6
STEERING	B6-7
TAILLIGHT	E11
TECHNICAL BULLETINS	ROW K
TRANSMISSION 1	C8-9
URNSIGNAL	E12
WINDSHIELD	D11

CONTINUED ON NEXT FRAME ►

BODY FITTING



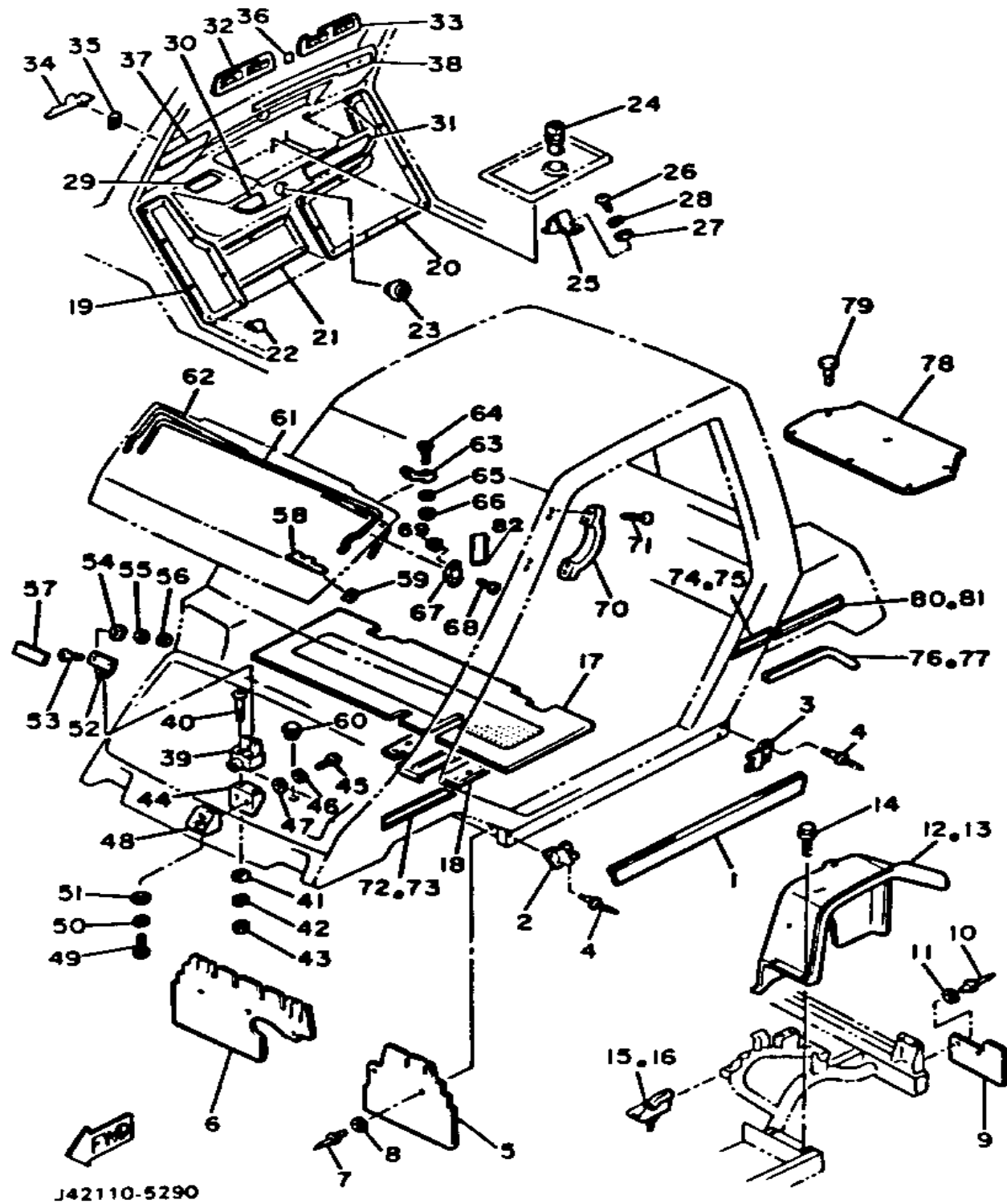
Ref. No.	Part Number	Description	Qty	Remarks
29	J55-77768-10-00	LABEL, WARNING (J38-77768-10-00)	1	
30	J42-77717-00-00	ORNAMENT, INSTRUMENT PANEL 3	1	
31	J42-77718-00-00	ORNAMENT, INSTRUMENT PANEL 4	1	
32	J42-2837X-00-00	GRILL, AIR OUTLET 3	1	
33	J42-2837Y-00-00	GRILL, AIR OUTLET 4	1	
34	J42-78292-00-00	EMBLEM 2	1	
35	90183-03038-00	NUT, SPRING	2	
36	J42-77743-00-00	INDICATOR 3	1	
37	J42-77715-00-00	ORNAMENT INSTRUMENT PANEL 1	1	
38	J42-77716-00-00	ORNAMENT, INSTRUMENT PANEL 2	1	
39	23T-24705-00-00	SEAT LOCK ASSY (J42-24705-00-00)	1	
40	98580-06040-00	SCREW, PAN HEAD (90501-06040-00)	2	
41	92990-06200-00	WASHER	2	
42	92995-06100-00	WASHER, SPRING	2	
43	95380-06600-00	NUT	2	
44	J42-78323-00-00	BRACKET 1	1	
45	98580-06012-00	SCREW, PAN HEAD	2	
46	92995-06100-00	WASHER, SPRING	2	
47	92990-06600-00	WASHER, PLATE	2	
48	J42-78324-00-00	BRACKET 2	1	
49	98580-06030-00	SCREW, PAN HEAD	3	
50	92995-06100-00	WASHER, SPRING	3	
51	92990-06200-00	WASHER	3	
52	J42-78318-00-00	HOOK, END 1	1	
53	98701-05016-00	SCREW, FLAT HEAD	2	

CONTENTS

ACCELERATOR	C4
AIR FILTER	A7-8
AIR SHROUD FAN	A4
ALTERNATE	F4-5
BODY 1	D1-3
BODY 2	D4-6
BODY FITTING	D7-9
BRAKE 1	B11-12,C1
BRAKE 2	C2-3
BUMPER	C11-12
CARBURETOR	A9
CARRIER	D12 ,E1-2
CRANKCASE	A12
CRANKSHAFT PISTON	A3
CYLINDER	A2
ELECTRICAL 1	F1-2
ELECTRICAL 2	F3
EXHAUST	A10-11
FRAME	B2
FRONT SUSPENSION WHEEL	B3-5
FUEL TANK	B9-10
GOVERNOR	C5
HEADLIGHT	E10
INSTRUMENT PANEL	D10
MAGNETO	E8-9
OIL PUMP	A5
OIL TANK	B8
PRIMARY SHEAVE	C6
PUMP DRIVE GEAR	A6
REAR AXLE WHEEL	C10
REAR SHOCKS	B1
SEAT	E3-4
SECONDARY SHEAVE	C7
STARTER PULLEY	E7
STARTING MOTOR	E5-6
STEERING	B6-7
TAILLIGHT	E11
TECHNICAL BULLETINS	ROW K
TRANSMISSION 1	C8-9
URNSIGNAL	E12
WINDSHIELD	D11

CONTINUED ON NEXT FRAME ➤

BODY FITTING

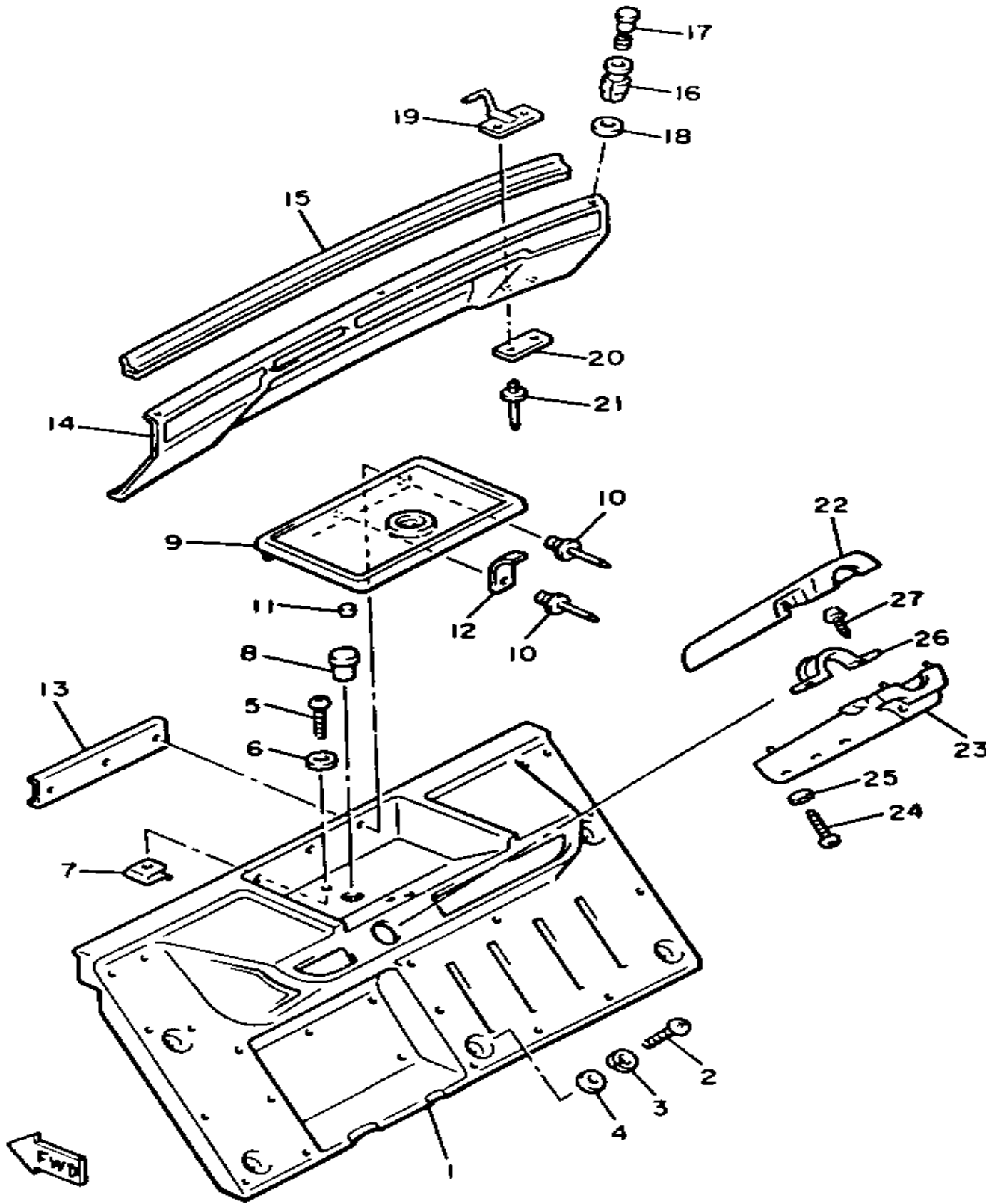


Ref. No.	Part Number	Description	Qty	Remarks
54	92990-05200-00	WASHER, PLAIN	2	
55	92990-05100-00	WASHER, SPRING	2	
56	95301-05600-00	NUT	2	
57	25G-21578-00-00	EMBLEM	1	
58	J42-78292-00-00	EMBLEM 2	1	
59	90183-03038-00	NUT, SPRING	2	
60	90338-24112-00	PLUG, SPECIAL SHAPE	1	
61	J42-78278-00-00	SPRING, FRONT LID 1	1	
62	J42-78279-00-00	SPRING, FRONT LID 2	1	
63	J42-7827A-00-00	GUIDE 1	2	
64	98501-03016-00	SCREW, PAN HEAD	4	
65	92990-03200-00	WASHER, PLAIN	4	
66	95380-03600-00	NUT	4	
67	J42-7827E-00-00	GUIDE 2	2	
68	98501-03016-00	SCREW, PAN HEAD	4	
69	95380-03600-00	NUT	4	
70	J42-78214-00-00	GRIP, HAND	2	
71	97706-50640-00	SCREW, TAPPING (97706-50140-00)	8	
72	J42-77281-00-00	STRIPE (L.H)	1	
73	J42-77282-00-00	STRIPE (R.H)	91	
74	J42-77283-00-00	STRIPE (L.H)	1	
75	J42-77284-00-00	STRIPE (R.H)	1	
76	J42-7824E-00-00	TRIM, REAR BODY (L.H)	1	
77	J42-7824F-00-00	TRIM, REAR BODY (R.H)	1	
78	J42-78241-00-00	MAT, REAR FLOOR	1	
79	90269-06028-00	RIVET	6	
80	J42-77285-00-00	STRIPE (L.H)	1	
81	J42-77286-00-00	STRIPE (R.H)	1	
82	J42-7824H-00-00	TAPE 1	2	

CONTENTS

ACCELERATOR	C4
AIR FILTER	A7-8
AIR SHROUD FAN	A4
ALTERNATE	F4-5
BODY 1	D1-3
BODY 2	D4-6
BODY FITTING	D7-9
BRAKE 1	B11-12,C1
BRAKE 2	C2-3
BUMPER	C11-12
CARBURETOR	A9
CARRIER	D12 ,E1-2
CRANKCASE	A12
CRANKSHAFT PISTON	A3
CYLINDER	A2
ELECTRICAL 1	F1-2
ELECTRICAL 2	F3
EXHAUST	A10-11
FRAME	B2
FRONT SUSPENSION WHEEL	B3-5
FUEL TANK	B9-10
GOVERNOR	C5
HEADLIGHT	E10
INSTRUMENT PANEL	D10
MAGNETO	E8-9
OIL PUMP	A5
OIL TANK	B8
PRIMARY SHEAVE	C6
PUMP DRIVE GEAR	A6
REAR AXLE WHEEL	C10
REAR SHOCKS	B1
SEAT	E3-4
SECONDARY SHEAVE	C7
STARTER PULLEY	E7
STARTING MOTOR	E5-6
STEERING	B6-7
TAILLIGHT	E11
TECHNICAL BULLETINS	ROW K
TRANSMISSION 1	C8-9
URNSIGNAL	E12
WINDSHIELD	D11

INSTRUMENT PANEL



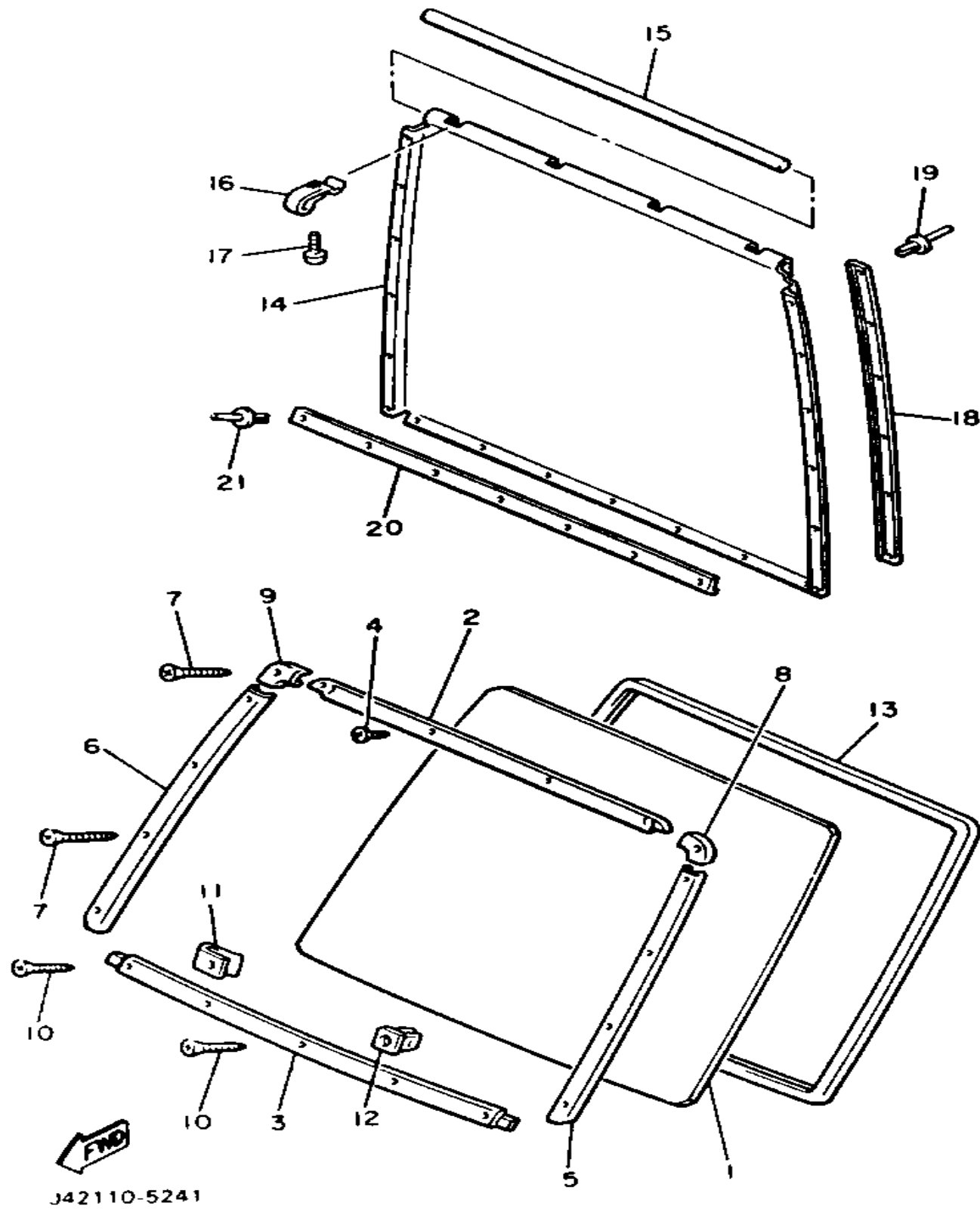
Ref. No.	Part Number	Description	Qty	Remarks
1	J42-77711-01-00	PANEL, INSTRUMENT	1	
2	98503-06014-00	SCREW, PAN HEAD (92502-06016-00)	5	
3	92995-06100-00	WASHER, SPRING	5	
4	90201-066F3-00	WASHER, PLATE	5	
5	98980-06016-00	SCREW, BINDING	1	
6	90201-06697-00	WASHER, PLATE	1	
7	90183-06028-00	NUT, SPRING	1	
8	90338-24112-00	PLUG, SPECIAL SHAPE	1	
9	J42-77736-00-00	LID, GLOVE BOX	1	
10	90267-48086-00	RIVET, BLIND	3	
11	J42-77739-00-00	DAMPER, LID	2	
12	J42-78288-00-00	SPRING, LID	1	
13	J42-7812E-00-00	SUPPORT, UPPER COWL (L.H)	1	
14	J42-77251-01-00	COVER, HEADLIGHT	1	
15	J42-78248-00-00	SEAL 4	1	
16	4X7-24742-00-00	GROMMET (J42-24742-00-00)	3	
17	5K7-28188-00-00	PLUNGER (J42-28188-00-00)	3	
18	90202-07127-00	WASHER, PLATE	3	
19	J42-77724-00-00	BRACKET 4	2	
20	J42-77728-00-00	WASHER	2	
21	90267-40075-00	RIVET, BLIND	4	
22	J50-K7732-00-00	COVER, STEER SHFT 1	1	
23	J50-K7733-00-00	COVER, STEER SHFT 2	1	
24	97702-50120-00	SCREW, TAPPING	4	
25	92901-05600-00	WASHER, PLATE	4	
26	J42-77734-00-00	BRACKET, STEERING COVER	2	
27	97702-50120-00	SCREW, TAPPING	4	

CONTENTS

ACCELERATOR	C4
AIR FILTER	A7-8
AIR SHROUD FAN	A4
ALTERNATE	F4-5
BODY 1	D1-3
BODY 2	D4-6
BODY FITTING	D7-9
BRAKE 1	B11-12,C1
BRAKE 2	C2-3
BUMPER	C11-12
CARBURETOR	A9
CARRIER	D12 ,E1-2
CRANKCASE	A12
CRANKSHAFT PISTON	A3
CYLINDER	A2
ELECTRICAL 1	F1-2
ELECTRICAL 2	F3
EXHAUST	A10-11
FRAME	B2
FRONT SUSPENSION WHEEL	B3-5
FUEL TANK	B9-10
GOVERNOR	C5
HEADLIGHT	E10
INSTRUMENT PANEL	D10
MAGNETO	E8-9
OIL PUMP	A5
OIL TANK	B8
PRIMARY SHEAVE	C6
PUMP DRIVE GEAR	A6
REAR AXLE WHEEL	C10
REAR SHOCKS	B1
SEAT	E3-4
SECONDARY SHEAVE	C7
STARTER PULLEY	E7
STARTING MOTOR	E5-6
STEERING	B6-7
TAILLIGHT	E11
TECHNICAL BULLETINS	ROW K
TRANSMISSION 1	C8-9
URNSIGNAL	E12
WINDSHIELD	D11

D10

WINDSHIELD



J42110-5241

Ref. No.	Part Number	Description	Qty	Remarks
1	J42-77211-00-00	WINDSHIELD	1	
2	J42-77213-00-00	TRIM, UPPER	1	
3	J42-77226-00-00	TRIM 6	1	
4	97706-40716-00	SCREW, TAPPING	2	
5	J42-77214-00-00	TRIM, LOWER	1	
6	J42-77215-00-00	TRIM 3	1	
7	97706-40330-00	SCREW, TAPPING	12	
8	J42-77216-00-00	TRIM 4	1	
9	J42-77225-00-00	TRIM 5	1	
10	97706-40725-00	SCREW, TAPPING	5	
11	90183-04056-00	NUT, SPRING	2	
12	90480-07449-00	GROMMET	3	
13	J42-77227-01-00	PACKING, WINDSHIELD	1	
14	J42-77232-00-00	CURTAIN, REAR	1	
15	J42-77235-00-00	STIFFENER	1	
16	J42-77236-00-00	BRACKET, CURTAIN	4	
17	98580-05010-00	SCREW, PAN HEAD	4	
18	J42-77233-00-00	TRIM 7	2	
19	90267-63134-00	RIVET, BLIND	12	
20	J42-77234-00-00	TRIM 8	1	
21	90267-63134-00	RIVET, BLIND	7	

CONTENTS

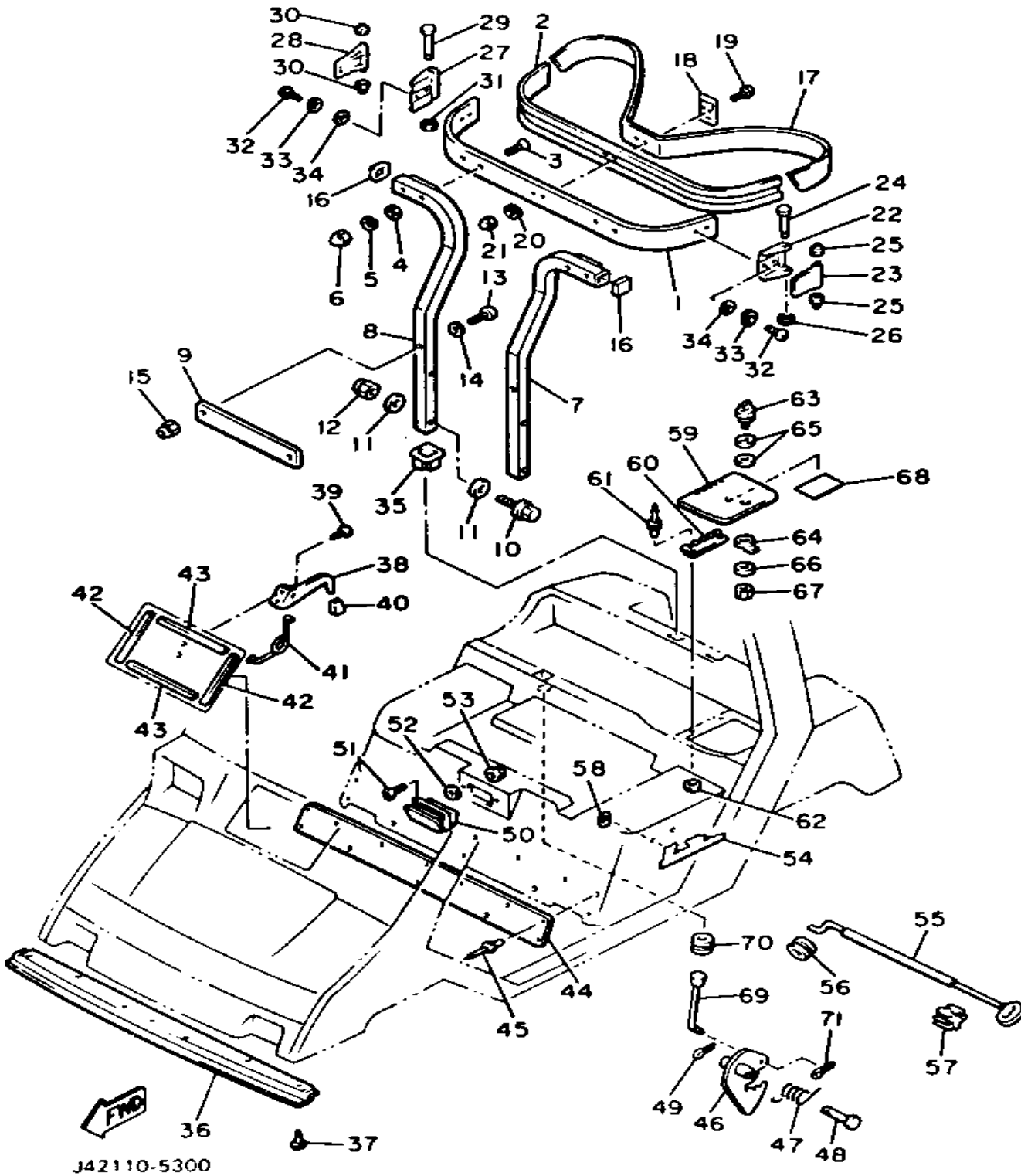
ACCELERATOR	C4
AIR FILTER	A7-8
AIR SHROUD FAN	A4
ALTERNATE	F4-5
BODY 1	D1-3
BODY 2	D4-6
BODY FITTING	D7-9
BRAKE 1	B11-12,C1
BRAKE 2	C2-3
BUMPER	C11-12
CARBURETOR	A9
CARRIER	D12 ,E1-2
CRANKCASE	A12
CRANKSHAFT PISTON	A3
CYLINDER	A2
ELECTRICAL 1	F1-2
ELECTRICAL 2	F3
EXHAUST	A10-11
FRAME	B2
FRONT SUSPENSION WHEEL	B3-5
FUEL TANK	B9-10
GOVERNOR	C5
HEADLIGHT	E10
INSTRUMENT PANEL	D10
MAGNETO	E8-9
OIL PUMP	A5
OIL TANK	B8
PRIMARY SHEAVE	C6
PUMP DRIVE GEAR	A6
REAR AXLE WHEEL	C10
REAR SHOCKS	B1
SEAT	E3-4
SECONDARY SHEAVE	C7
STARTER PULLEY	E7
STARTING MOTOR	E5-6
STEERING	B6-7
TAILLIGHT	E11
TECHNICAL BULLETINS	ROW K
TRANSMISSION 1	C8-9
URNSIGNAL	E12
WINDSHIELD	D11

CARRIER

Ref. No.	Part Number	Description	Qty	Remarks
1	J42-78351-00-00	SUPPORT, BAG UPPER (J10-78351-00-9E)	1	
2	J10-78356-00-00	PAD, BAG SUPPORT	1	
3	98701-08045-00	SCREW, FLAT HEAD (92701-08045-00)	4	
4	90202-08022-00	WASHER, PLATE	4	
5	92990-08100-00	WASHER	4	
6	95380-08800-00	NUT, CROWN	4	
7	J42-78352-00-00	SUPPORT, BAG LOWER 1	1	
8	J42-78353-00-00	SUPPORT, BAG LOWER 2	1	
9	J42-78367-00-00	PLATE, ANCHOR	1	
10	95811-08050-00	BOLT, FLANGE (95823-08050-00)	4	
11	90201-084K3-00	WASHER, PLATE	8	
12	95601-08200-00	NUT, U	4	
13	90154-08028-00	SCREW, BINDING	2	
14	90201-080A9-00	WASHER, PLATE	2	
15	95601-08200-00	NUT, U	2	
16	J10-78139-00-00	CAP, END	2	
17	J10-78355-00-00	BAND	1	
18	J10-78367-00-00	PLATE, ANCHOR	1	
19	98980-06016-00	SCREW, BINDING	2	
20	92995-06100-00	WASHER, SPRING	2	
21	95380-06800-00	NUT	2	
22	J17-78157-01-00	BASE, LOCK	1	
23	J17-78368-00-00	LEVER, LOCK	1	
24	J17-78369-00-00	PIN, LEVER	1	
25	90386-06108-00	BUSH	2	
26	99080-05600-00	CIRCLIP	1	
27	J17-78157-01-00	BASE, LOCK	1	
28	J17-78368-01-00	LEVER, LOCK	1	

CONTENTS

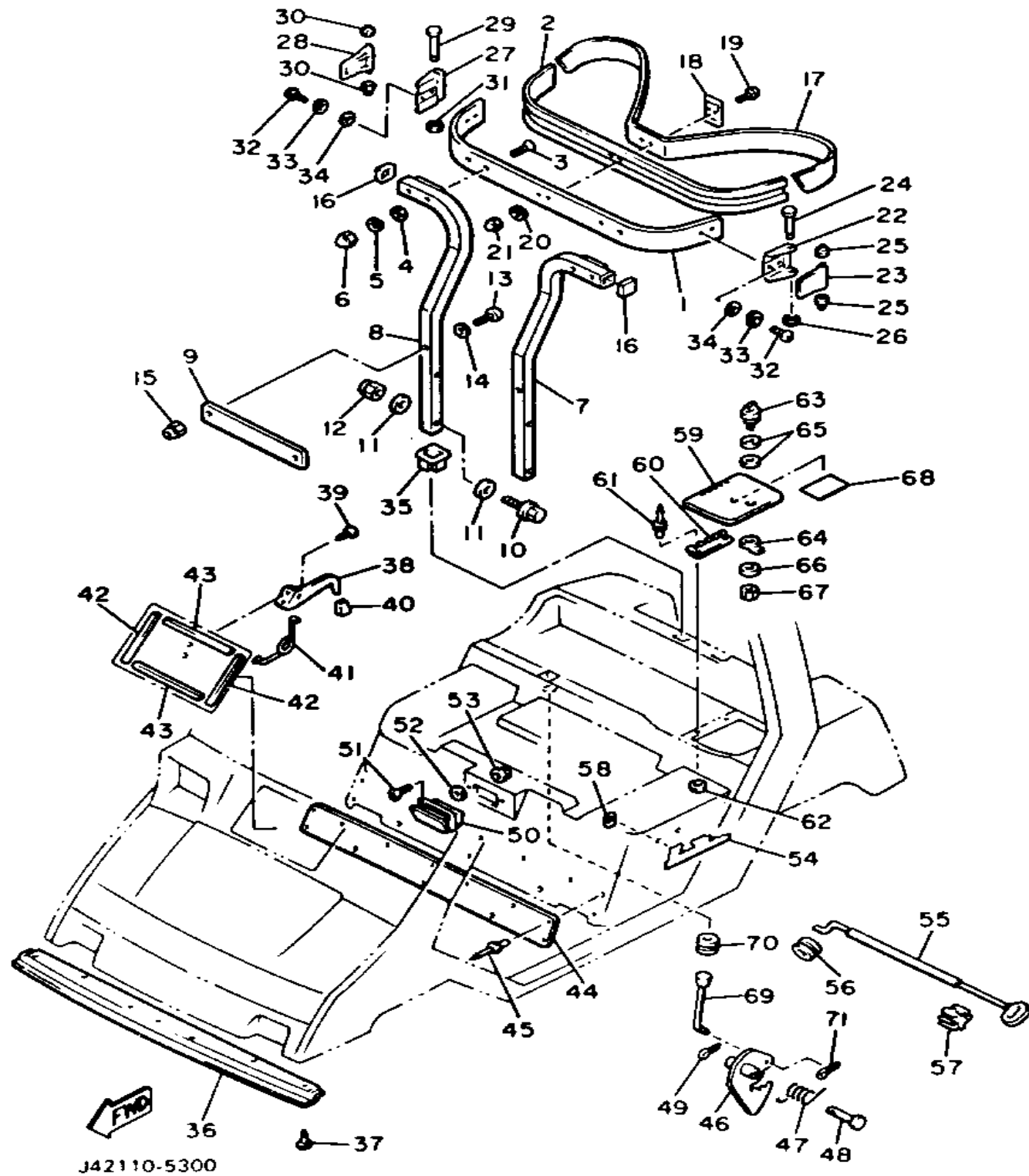
ACCELERATOR	C4
AIR FILTER	A7-8
AIR SHROUD FAN	A4
ALTERNATE	F4-5
BODY 1	D1-3
BODY 2	D4-6
BODY FITTING	D7-9
BRAKE 1	B11-12,C1
BRAKE 2	C2-3
BUMPER	C11-12
CARBURETOR	A9
CARRIER	D12 ,E1-2
CRANKCASE	A12
CRANKSHAFT PISTON	A3
CYLINDER	A2
ELECTRICAL 1	F1-2
ELECTRICAL 2	F3
EXHAUST	A10-11
FRAME	B2
FRONT SUSPENSION WHEEL	B3-5
FUEL TANK	B9-10
GOVERNOR	C5
HEADLIGHT	E10
INSTRUMENT PANEL	D10
MAGNETO	E8-9
OIL PUMP	A5
OIL TANK	B8
PRIMARY SHEAVE	C6
PUMP DRIVE GEAR	A6
REAR AXLE WHEEL	C10
REAR SHOCKS	B1
SEAT	E3-4
SECONDARY SHEAVE	C7
STARTER PULLEY	E7
STARTING MOTOR	E5-6
STEERING	B6-7
TAILLIGHT	E11
TECHNICAL BULLETINS	ROW K
TRANSMISSION 1	C8-9
URNSIGNAL	E12
WINDSHIELD	D11



CONTINUED ON NEXT FRAME ►

D12

CARRIER



Ref. No.	Part Number	Description	Qty	Remarks
29	J17-78369-00-00	PIN, LEVER	1	
30	90386-06108-00	BUSH	2	
31	99080-05600-00	CIRCLIP	1	
32	98580-06010-00	SCREW, PAN HEAD (92503-06010-00)	4	
33	92995-06100-00	WASHER, SPRING	4	
34	92990-06200-00	WASHER	4	
35	90480-36427-00	GROMMET	2	
36	J42-78216-00-00	COVER, BUMPER GAP	1	
37	90269-06028-00	RIVET	6	
38	J42-7827F-01-00	LEVER, VENTILATOR	1	
39	97780-50612-00	SCREW, TAPPING	2	
40	J42-7827G-00-00	KNOB, VENTILATOR	1	
41	J42-7827H-00-00	SPRING, VENTILATOR	1	
42	J42-78245-00-00	SEAL 1	2	
43	J42-78246-00-00	SEAL, FLOOR 2	2	
44	J42-78119-00-00	PLATE 3	1	
45	90267-40075-00	RIVET, BLIND	10	
46	J42-7814H-02-00	HOOK, BODY LOCK	1	
47	90508-14698-00	SPRING, TORSION	1	
48	91702-08040-00	PIN, CLEVIS	1	
49	91401-25020-00	PIN, COTTER	1	
50	J42-78287-00-00	ASH TRAY	1	
51	98780-04025-00	SCREW, FLAT HEAD	2	
52	92990-04200-00	WASHER, PLAIN	2	
53	95701-04300-00	NUT, FLANGE	2	
54	J42-78291-00-00	EMBLEM 1	2	
55	J42-78375-00-00	SUPPORT 1	1	
56	90480-16304-00	GROMMET (90480-16110-00) ..	1	
57	J42-78359-01-00	HOLDER 3	1	J42-000122~

CONTENTS

ACCELERATOR	C4
AIR FILTER	A7-8
AIR SHROUD FAN	A4
ALTERNATE	F4-5
BODY 1	D1-3
BODY 2	D4-6
BODY FITTING	D7-9
BRAKE 1	B11-12,C1
BRAKE 2	C2-3
BUMPER	C11-12
CARBURETOR	A9
CARRIER	D12 ,E1-2
CRANKCASE	A12
CRANKSHAFT PISTON	A3
CYLINDER	A2
ELECTRICAL 1	F1-2
ELECTRICAL 2	F3
EXHAUST	A10-11
FRAME	B2
FRONT SUSPENSION WHEEL	B3-5
FUEL TANK	B9-10
GOVERNOR	C5
HEADLIGHT	E10
INSTRUMENT PANEL	D10
MAGNETO	E8-9
OIL PUMP	A5
OIL TANK	B8
PRIMARY SHEAVE	C6
PUMP DRIVE GEAR	A6
REAR AXLE WHEEL	C10
REAR SHOCKS	B1
SEAT	E3-4
SECONDARY SHEAVE	C7
STARTER PULLEY	E7
STARTING MOTOR	E5-6
STEERING	B6-7
TAILLIGHT	E11
TECHNICAL BULLETINS	ROW K
TRANSMISSION 1	C8-9
URNSIGNAL	E12
WINDSHIELD	D11

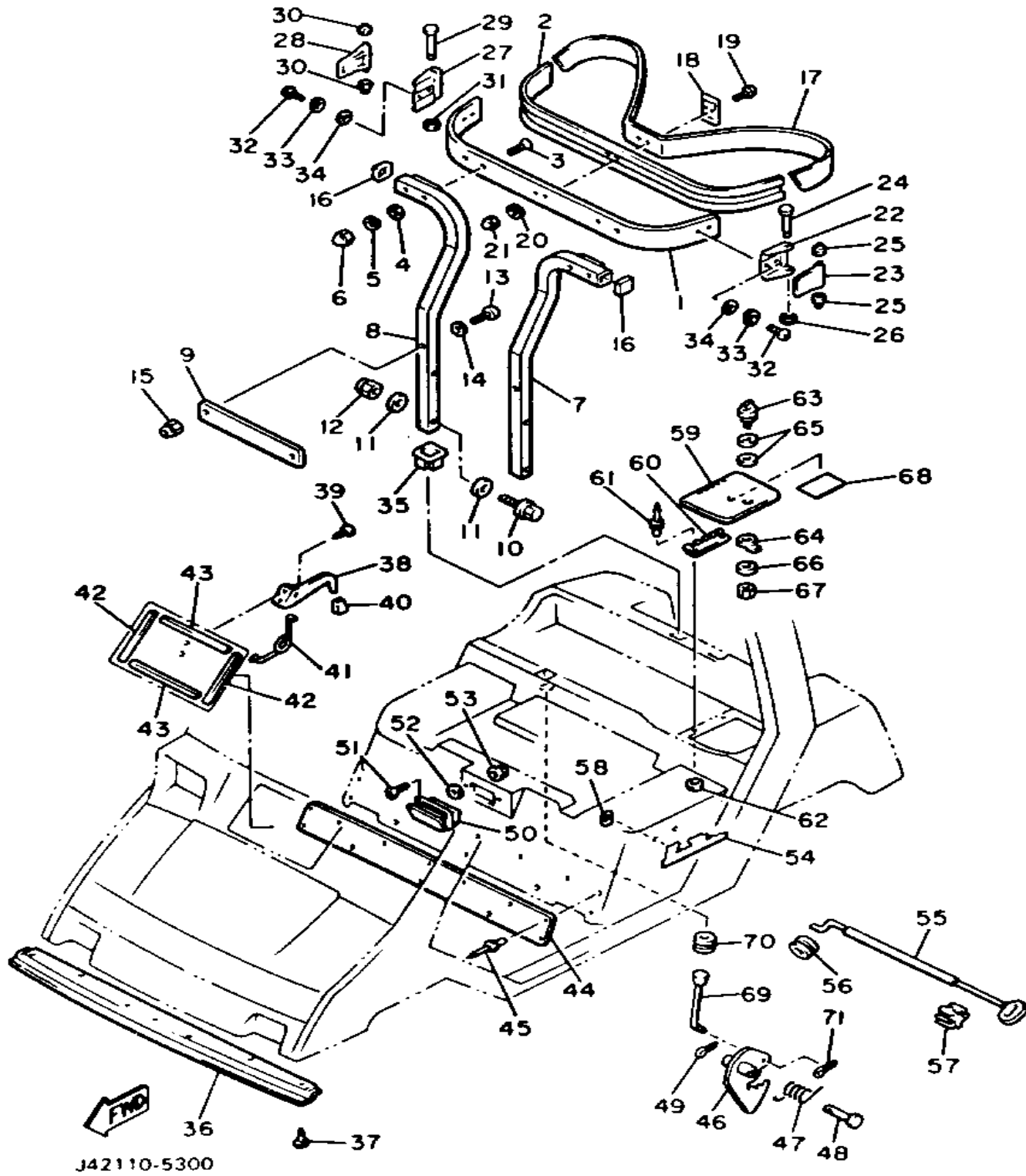
CONTINUED ON NEXT FRAME >

CARRIER

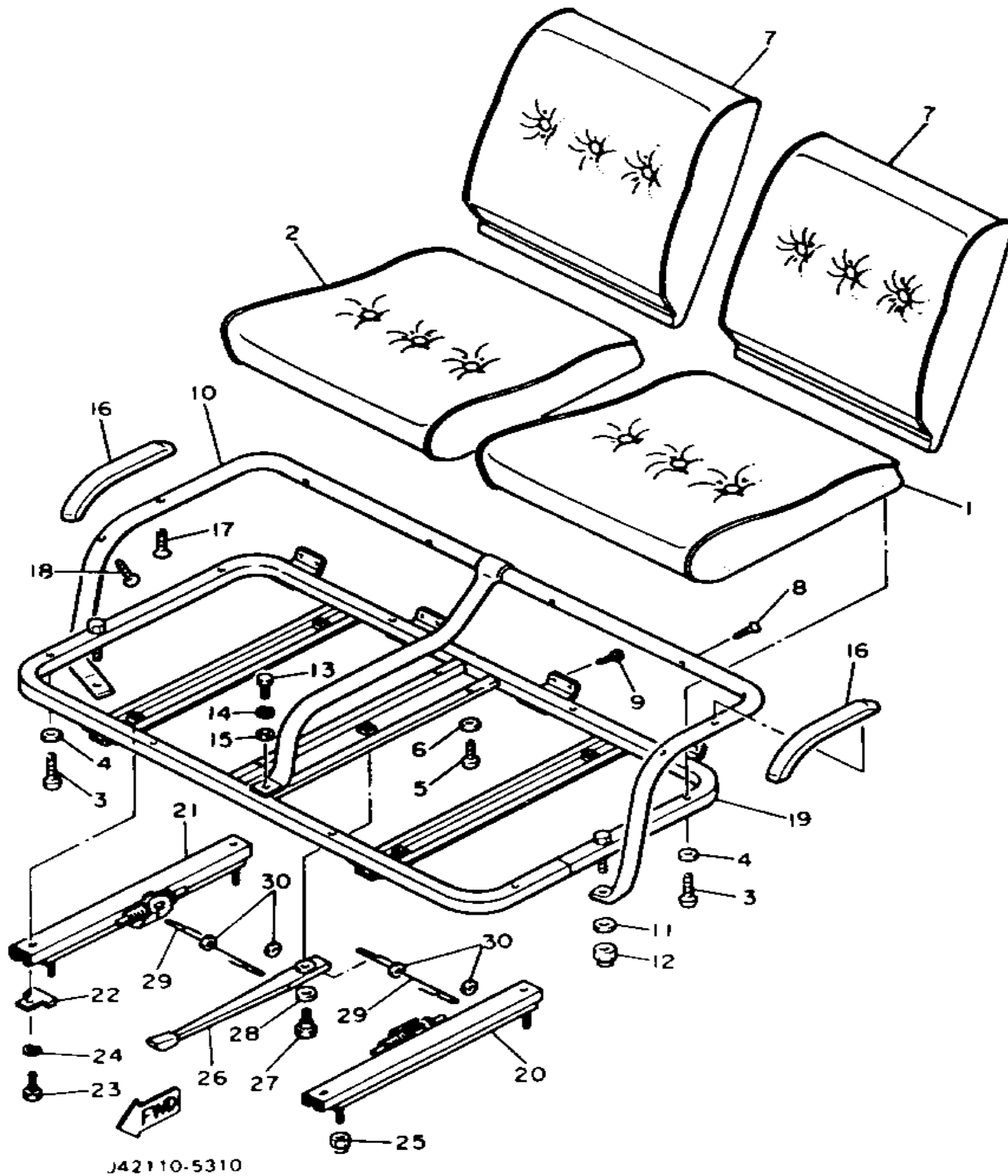
Ref. No.	Part Number	Description	Qty	Remarks
57	J42-78359-00-00	HOLDER 3	1	
58	90183-03038-00	NUT, SPRING	4	
59	J42-78272-00-00	COVER, FUEL INLET	1	
60	J17-78275-00-00	HINGE, FUEL INLET	1	
61	90267-40075-00	RIVET, BLIND	2	
62	90201-04M06-00	WASHER, PLATE	2	
63	8L9-77324-00-00	KNOB	1	
64	8K4-77328-00-00	LEVER, ARM FITTING	1	
65	90206-15070-00	WASHER, WAVE	2	
66	90201-05725-00	WASHER, PLATE	1	
67	95706-05300-00	NUT, NYLON	1	
68	J24-77764-00-00	LABEL, WARNING 4	1	
69	J42-7814G-02-00	LEVER, BODY LOCK	1	
70	90480-12067-00	GROMMET	1	
71	91490-16020-00	PIN, COTTER	1	

CONTENTS

ACCELERATOR	C4
AIR FILTER	A7-8
AIR SHROUD FAN	A4
ALTERNATE	F4-5
BODY 1	D1-3
BODY 2	D4-6
BODY FITTING	D7-9
BRAKE 1	B11-12,C1
BRAKE 2	C2-3
BUMPER	C11-12
CARBURETOR	A9
CARRIER	D12 ,E1-2
CRANKCASE	A12
CRANKSHAFT PISTON	A3
CYLINDER	A2
ELECTRICAL 1	F1-2
ELECTRICAL 2	F3
EXHAUST	A10-11
FRAME	B2
FRONT SUSPENSION WHEEL	B3-5
FUEL TANK	B9-10
GOVERNOR	C5
HEADLIGHT	E10
INSTRUMENT PANEL	D10
MAGNETO	E8-9
OIL PUMP	A5
OIL TANK	B8
PRIMARY SHEAVE	C6
PUMP DRIVE GEAR	A6
REAR AXLE WHEEL	C10
REAR SHOCKS	B1
SEAT	E3-4
SECONDARY SHEAVE	C7
STARTER PULLEY	E7
STARTING MOTOR	E5-6
STEERING	B6-7
TAILLIGHT	E11
TECHNICAL BULLETINS	ROW K
TRANSMISSION 1	C8-9
URNSIGNAL	E12
WINDSHIELD	D11



SEAT



Ref. No.	Part Number	Description	Qty	Remarks
1	J50-K8401-00-00	SEAT SUB ASSEMBLY, CUSHION	1	
2	J50-K8403-00-00	SEAT SUB ASSEMBLY, CUSHION 2	1	
3	98580-06040-00	SCREW, PAN HEAD (90501-06040-00)	8	
4	90201-065F3-00	WASHER, PLATE	8	
5	98501-06014-00	SCREW, PAN HEAD (92501-06014-00)	4	
6	90201-061A5-00	WASHER, PLATE	4	
7	J50-K8402-00-00	SEAT SUB ASSEMBLY, BACK	2	
8	90152-06017-00	SCREW, COUNTERSUNK	4	
9	97780-50316-00	SCREW, TAPPING	8	
10	J42-78421-00-00	SUPPORT, SEAT	1	
11	92990-08600-00	WASHER, PLATE	2	
12	95680-08100-00	NUT, U	2	
13	97022-08016-00	BOLT	1	
14	92990-08100-00	WASHER	1	
15	92990-08600-00	WASHER, PLATE	1	
16	J42-78361-00-00	ARM REST 1	2	
17	98680-05030-00	SCREW, OVAL HEAD	2	
18	97780-50330-00	SCREW, TAPPING	2	
19	J42-78451-00-00	FRAME, SLIDE SEAT	1	
20	J42-78452-00-00	SEAT-ADJUSTER 1	1	
21	J42-78453-00-00	SEAT-ADJUSTER 2	1	
22	J42-78454-00-00	STOPPER, SLIDE SEAT	2	
23	97022-08016-00	BOLT	4	
24	92990-08100-00	WASHER	4	
25	95601-08200-00	NUT, U	4	
26	J42-78455-00-00	LEVER, ADJUSTER	1	
27	J42-78456-00-00	BOLT, ADJUSTER	1	

CONTENTS

ACCELERATOR	C4
AIR FILTER	A7-8
AIR SHROUD FAN	A4
ALTERNATE	F4-5
BODY 1	D1-3
BODY 2	D4-6
BODY FITTING	D7-9
BRAKE 1	B11-12,C1
BRAKE 2	C2-3
BUMPER	C11-12
CARBURETOR	A9
CARRIER	D12 ,E1-2
CRANKCASE	A12
CRANKSHAFT PISTON	A3
CYLINDER	A2
ELECTRICAL 1	F1-2
ELECTRICAL 2	F3
EXHAUST	A10-11
FRAME	B2
FRONT SUSPENSION WHEEL	B3-5
FUEL TANK	B9-10
GOVERNOR	C5
HEADLIGHT	E10
INSTRUMENT PANEL	D10
MAGNETO	E8-9
OIL PUMP	A5
OIL TANK	B8
PRIMARY SHEAVE	C6
PUMP DRIVE GEAR	A6
REAR AXLE WHEEL	C10
REAR SHOCKS	B1
SEAT	E3-4
SECONDARY SHEAVE	C7
STARTER PULLEY	E7
STARTING MOTOR	E5-6
STEERING	B6-7
TAILLIGHT	E11
TECHNICAL BULLETINS	ROW K
TRANSMISSION 1	C8-9
URNSIGNAL	E12
WINDSHIELD	D11

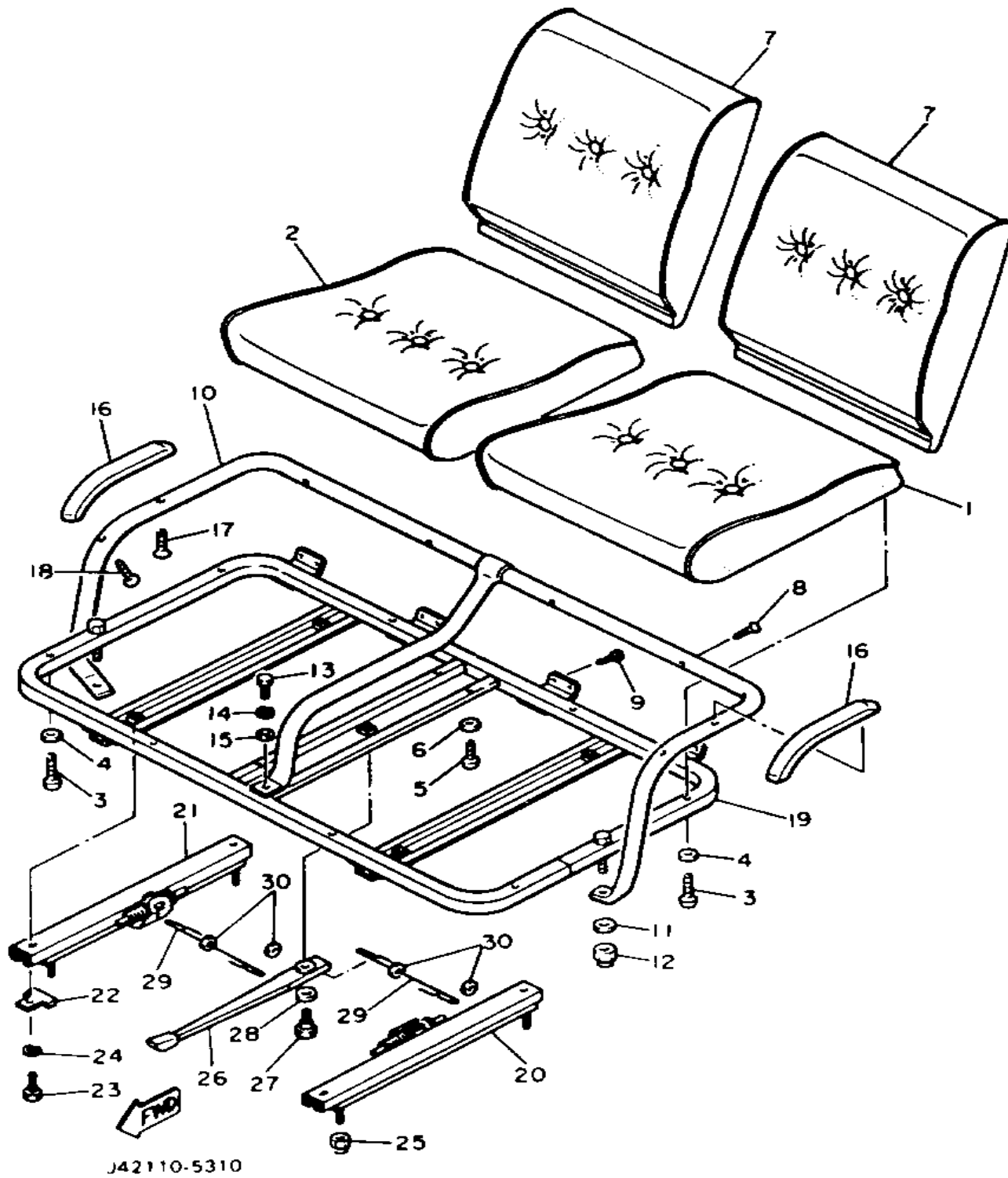
CONTINUED ON NEXT FRAME ►

SEAT

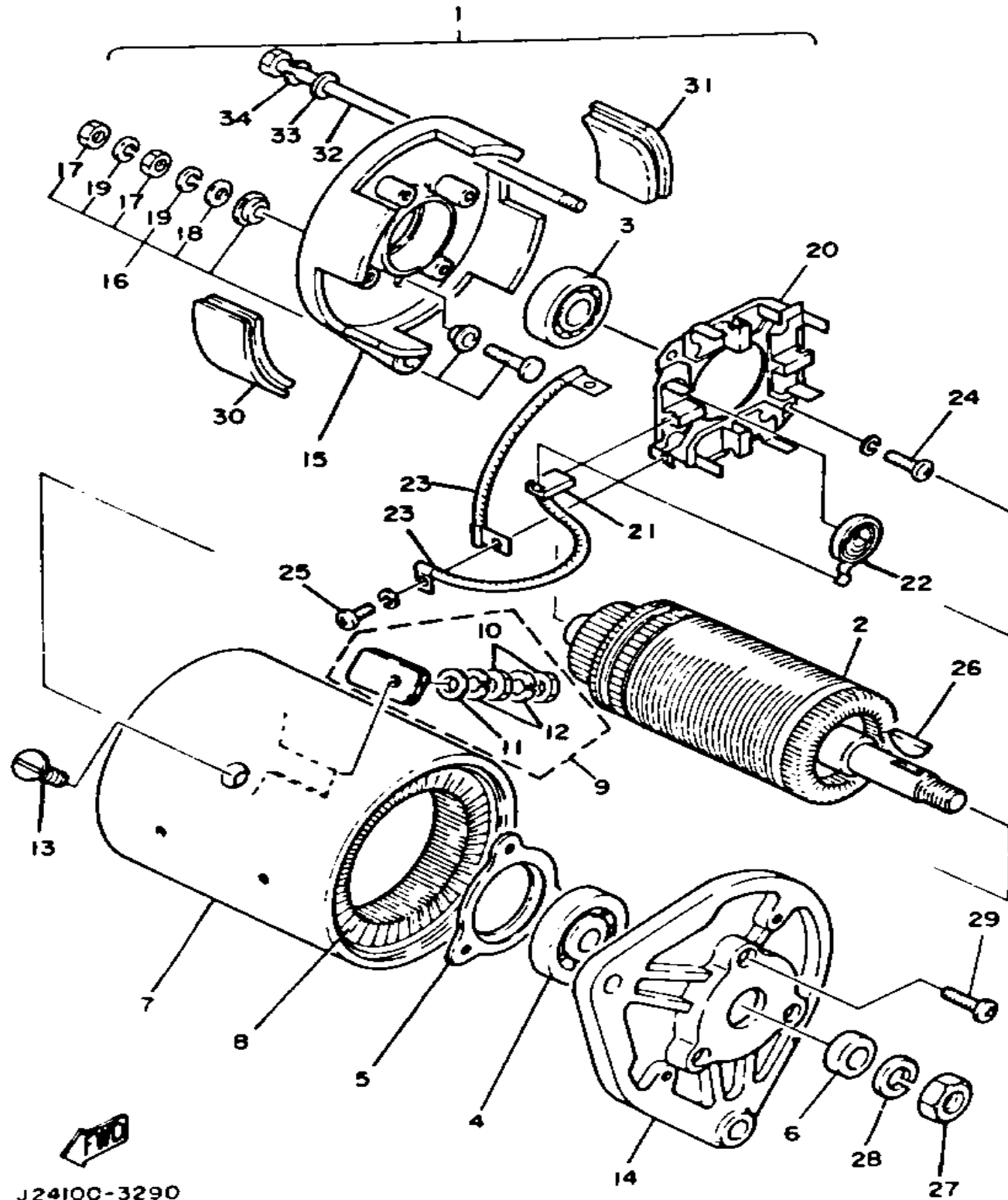
Ref. No.	Part Number	Description	Qty	Remarks
28	92990-10600-00	WASHER, PLATE	1	
29	J42-78457-00-00	WIRE, ADJUSTER	2	
30	92901-04600-00	WASHER, PLATE	4	

CONTENTS

ACCELERATOR	C4
AIR FILTER	A7-8
AIR SHROUD FAN	A4
ALTERNATE	F4-5
BODY 1	D1-3
BODY 2	D4-6
BODY FITTING	D7-9
BRAKE 1	B11-12,C1
BRAKE 2	C2-3
BUMPER	C11-12
CARBURETOR	A9
CARRIER	D12 ,E1-2
CRANKCASE	A12
CRANKSHAFT PISTON	A3
CYLINDER	A2
ELECTRICAL 1	F1-2
ELECTRICAL 2	F3
EXHAUST	A10-11
FRAME	B2
FRONT SUSPENSION WHEEL	B3-5
FUEL TANK	B9-10
GOVERNOR	C5
HEADLIGHT	E10
INSTRUMENT PANEL	D10
MAGNETO	E8-9
OIL PUMP	A5
OIL TANK	B8
PRIMARY SHEAVE	C6
PUMP DRIVE GEAR	A6
REAR AXLE WHEEL	C10
REAR SHOCKS	B1
SEAT	E3-4
SECONDARY SHEAVE	C7
STARTER PULLEY	E7
STARTING MOTOR	E5-6
STEERING	B6-7
TAILLIGHT	E11
TECHNICAL BULLETINS	ROW K
TRANSMISSION 1	C8-9
URNSIGNAL	E12
WINDSHIELD	D11



STARTING MOTOR



J24100-3290

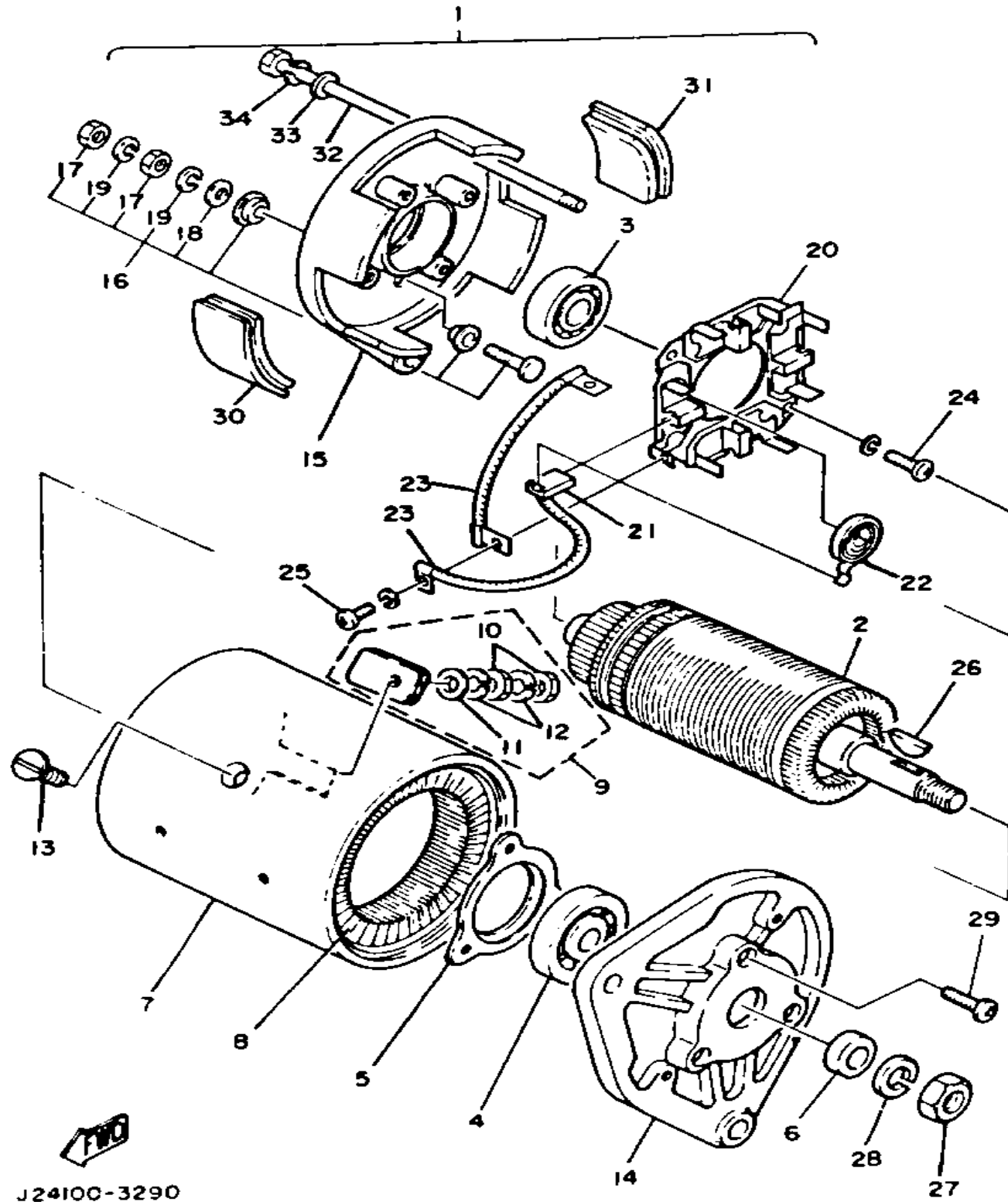
Ref. No.	Part Number	Description	Qty	Remarks
1	J10-81100-10-00	STARTER GEN ASSEMBLY ...	1	
2	J10-81150-10-00	. ARMATURE ASSEMBLY	1	
3	J10-81157-10-00	. BEARING 1 (6202 SD)	1	
4	J10-81158-10-00	. BEARING 2 (6203 SD)	1	
5	J10-81159-10-00	. HOLDER, BEARING	1	
6	J10-81175-10-00	. STOPPER 1	1	
7	J10-81110-10-00	. STATOR ASSEMBLY	1	
8	J10-81160-10-00	. FIELD COIL ASSEMBLY	1	
9	J10-81148-10-00	. SCREW	2	
10	95380-06600-00	.. NUT	4	
11	90201-061A5-00	.. WASHER, PLATE	2	
12	92995-06100-00	.. WASHER, SPRING	4	
13	J10-81146-10-00	. SCREW	4	
14	J10-81165-10-00	. BRKT, STARTER GENERATOR 1	1	
15	J10-81166-10-00	. BRACKET, STARTER GENERATOR 2	1	
16	J10-81147-10-00	. SCREW	2	
17	95380-06600-00	.. NUT	4	
18	90201-061A5-00	.. WASHER, PLATE	2	
19	92995-06100-00	.. WASHER, SPRING	4	
20	J10-81119-10-00	. BRUSH HOLDER ASSEMBLY	1	
21	J10-81111-10-00	. BRUSH	4	
22	J10-81113-10-00	. SPRING, BRUSH	4	
23	J10-81115-10-00	. WIRE, LEAD	2	
24	98501-05016-00	. SCREW, PAN HEAD	2	
25	98580-04010-00	. SCREW, PAN HEAD	4	
26	J38-81163-10-00	. KEY	1	
27	95301-14700-00	. NUT	1	
28	92901-14100-00	. WASHER, SPRING	1	
29	98501-05018-00	. SCREW, PAN HEAD	3	

CONTINUED ON NEXT FRAME >

CONTENTS

ACCELERATOR	C4
AIR FILTER	A7-8
AIR SHROUD FAN	A4
ALTERNATE	F4-5
BODY 1	D1-3
BODY 2	D4-6
BODY FITTING	D7-9
BRAKE 1	B11-12,C1
BRAKE 2	C2-3
BUMPER	C11-12
CARBURETOR	A9
CARRIER	D12 ,E1-2
CRANKCASE	A12
CRANKSHAFT PISTON	A3
CYLINDER	A2
ELECTRICAL 1	F1-2
ELECTRICAL 2	F3
EXHAUST	A10-11
FRAME	B2
FRONT SUSPENSION WHEEL	B3-5
FUEL TANK	B9-10
GOVERNOR	C5
HEADLIGHT	E10
INSTRUMENT PANEL	D10
MAGNETO	E8-9
OIL PUMP	A5
OIL TANK	B8
PRIMARY SHEAVE	C6
PUMP DRIVE GEAR	A6
REAR AXLE WHEEL	C10
REAR SHOCKS	B1
SEAT	E3-4
SECONDARY SHEAVE	C7
STARTER PULLEY	E7
STARTING MOTOR	E5-6
STEERING	B6-7
TAILLIGHT	E11
TECHNICAL BULLETINS	ROW K
TRANSMISSION 1	C8-9
URNSIGNAL	E12
WINDSHIELD	D11

STARTING MOTOR



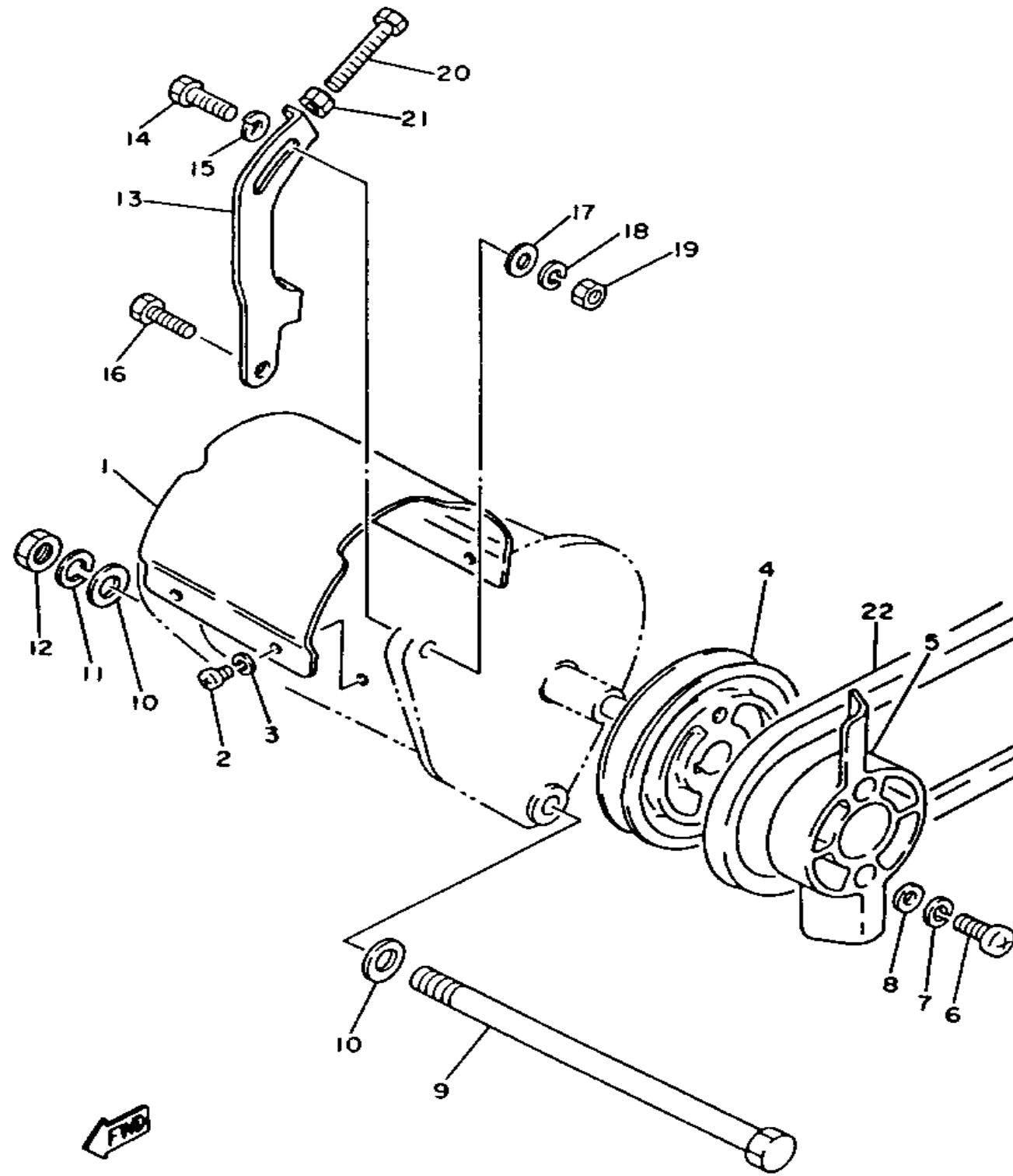
Ref. No.	Part Number	Description	Qty	Remarks
30	J10-81129-10-00	. COVER, BRUSH	3	
31	J10-81129-10-00	. COVER, BRUSH	1	
32	J10-81145-10-00	. SCREW	2	
33	90201-061A5-00	. WASHER, PLATE	2	
34	92995-06100-00	. WASHER, SPRING	2	

CONTENTS

ACCELERATOR	C4
AIR FILTER	A7-8
AIR SHROUD FAN	A4
ALTERNATE	F4-5
BODY 1	D1-3
BODY 2	D4-6
BODY FITTING	D7-9
BRAKE 1	B11-12,C1
BRAKE 2	C2-3
BUMPER	C11-12
CARBURETOR	A9
CARRIER	D12 ,E1-2
CRANKCASE	A12
CRANKSHAFT PISTON	A3
CYLINDER	A2
ELECTRICAL 1	F1-2
ELECTRICAL 2	F3
EXHAUST	A10-11
FRAME	B2
FRONT SUSPENSION WHEEL	B3-5
FUEL TANK	B9-10
GOVERNOR	C5
HEADLIGHT	E10
INSTRUMENT PANEL	D10
MAGNETO	E8-9
OIL PUMP	A5
OIL TANK	B8
PRIMARY SHEAVE	C6
PUMP DRIVE GEAR	A6
REAR AXLE WHEEL	C10
REAR SHOCKS	B1
SEAT	E3-4
SECONDARY SHEAVE	C7
STARTER PULLEY	E7
STARTING MOTOR	E5-6
STEERING	B6-7
TAILLIGHT	E11
TECHNICAL BULLETINS	ROW K
TRANSMISSION 1	C8-9
URNSIGNAL	E12
WINDSHIELD	D11

J24100-3290

STARTER PULLEY

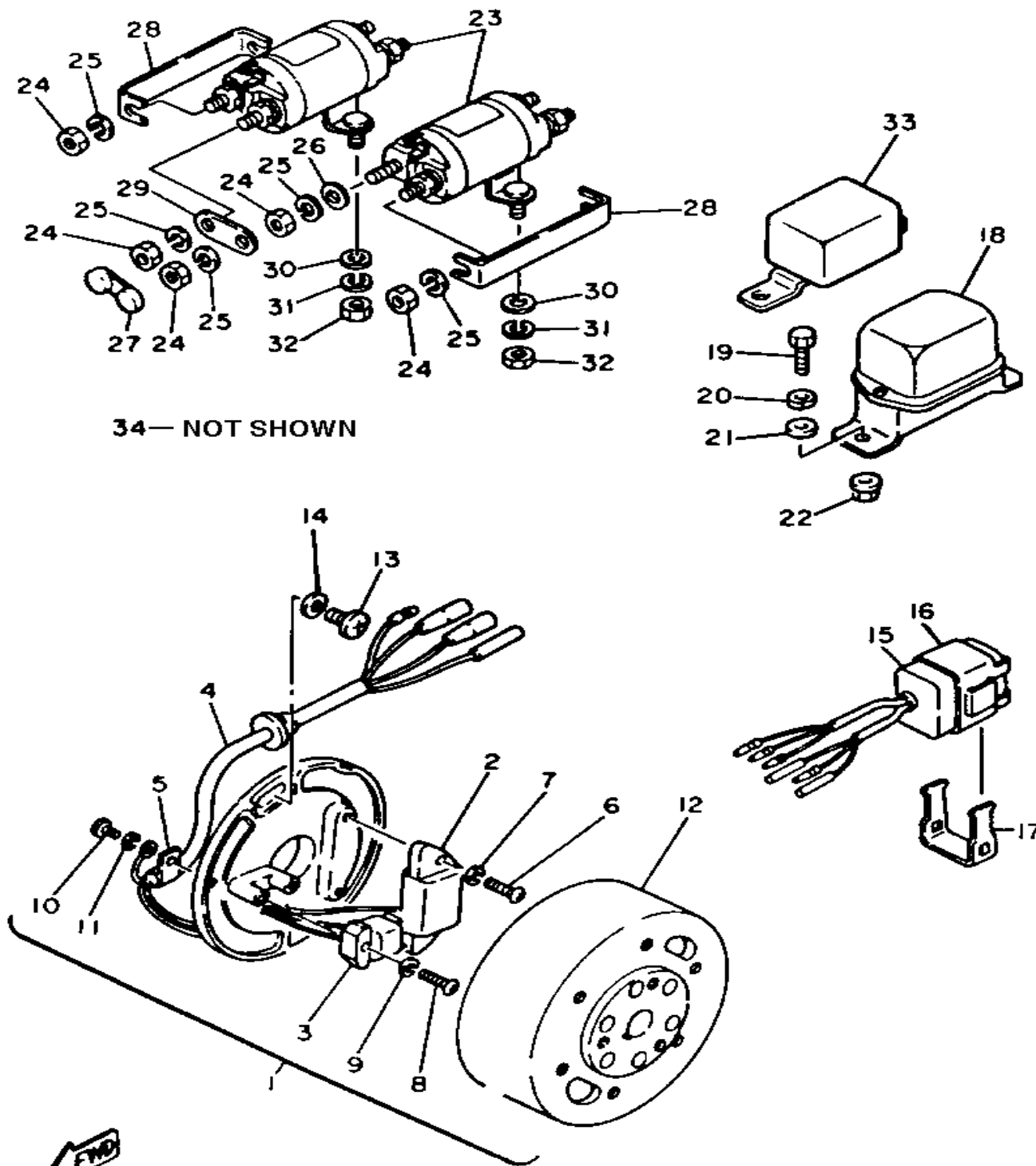


Ref. No.	Part Number	Description	Qty	Remarks
1	J17-87183-00-00	INSULATOR, GEN	1	
2	98501-05010-00	SCREW, PAN HEAD	4	
3	92990-05100-00	WASHER, SPRING	4	
4	J10-81161-01-00	PULLEY	1	
5	J10-87172-00-00	FAN, GENERATOR	1	
6	92501-06025-00	SCREW, PAN HEAD	2	
7	92995-06100-00	WASHER, SPRING	2	
8	92990-06600-00	WASHER, PLATE	2	
9	90101-12545-00	BOLT	1	
10	92990-12600-00	WASHER, PLATE	2	
11	92901-12100-00	WASHER, SPRING	1	
12	95303-12600-00	NUT	1	
13	J17-81170-00-00	TENSIONER ASSEMBLY (92902-08100-00)	1	
14	97313-08020-00	BOLT, HEXAGON	1	
15	92990-08100-00	WASHER	1	
16	90109-08653-00	BOLT	1	
17	92990-08600-00	WASHER, PLATE	1	
18	92990-08100-00	WASHER	1	
19	95303-08600-00	NUT	1	
20	90101-06410-00	BOLT	1	
21	95380-06700-00	NUT	1	
22	J10-81173-00-00	BELT	1	

CONTENTS

ACCELERATOR	C4
AIR FILTER	A7-8
AIR SHROUD FAN	A4
ALTERNATE	F4-5
BODY 1	D1-3
BODY 2	D4-6
BODY FITTING	D7-9
BRAKE 1	B11-12,C1
BRAKE 2	C2-3
BUMPER	C11-12
CARBURETOR	A9
CARRIER	D12 ,E1-2
CRANKCASE	A12
CRANKSHAFT PISTON	A3
CYLINDER	A2
ELECTRICAL 1	F1-2
ELECTRICAL 2	F3
EXHAUST	A10-11
FRAME	B2
FRONT SUSPENSION WHEEL	B3-5
FUEL TANK	B9-10
GOVERNOR	C5
HEADLIGHT	E10
INSTRUMENT PANEL	D10
MAGNETO	E8-9
OIL PUMP	A5
OIL TANK	B8
PRIMARY SHEAVE	C6
PUMP DRIVE GEAR	A6
REAR AXLE WHEEL	C10
REAR SHOCKS	B1
SEAT	E3-4
SECONDARY SHEAVE	C7
STARTER PULLEY	E7
STARTING MOTOR	E5-6
STEERING	B6-7
TAILLIGHT	E11
TECHNICAL BULLETINS	ROW K
TRANSMISSION 1	C8-9
URNSIGNAL	E12
WINDSHIELD	D11

MAGNETO



34— NOT SHOWN

Ref. No.	Part Number	Description	Qty	Remarks
1	J10-85500-20-00	CDI MAGNETO ASSEMBLY ...	1	
2	8G8-85511-20-00	. COIL SOURCE 1	1	
3	J10-85580-20-00	. COIL, PULSER	1	
4	J10-85515-20-00	. LEAD WIRE ASSEMBLY	1	
5	104-81328-20-00	. CLAMP	2	
6	98580-05020-00	. SCREW, PAN HEAD	2	
7	92990-05100-00	. WASHER, SPRING	2	
8	98511-04020-00	. SCREW, PAN HEAD	2	
9	92901-04600-00	. WASHER, PLATE	2	
10	98580-04008-00	. SCREW, PAN HEAD	1	
11	92901-04600-00	. WASHER, PLATE	1	
12	J10-85550-20-00	. ROTOR ASSEMBLY	1	
13	98980-06016-00	SCREW, BINDING	2	
14	90201-06043-00	WASHER, PLATE	2	
15	J10-85540-20-00	CDI UNIT ASSEMBLY	1	
16	2A7-85546-00-00	BAND	1	
17	82M-21245-00-00	BOX	1	
18	J10-81910-10-00	VOLTAGE REG ASSEMBLY ..	1	
19	97313-06016-00	BOLT, HEXAGON	2	
20	92995-06100-00	WASHER, SPRING	2	
21	92990-06600-00	WASHER, PLATE	2	
22	95702-06600-00	NUT, FLANGE	2	
23	J17-81950-01-00	RELAY ASSEMBLY	2	SEE REF NO. 34
24	95303-08700-00	. NUT	8	
25	92990-08100-00	. WASHER	8	
26	92990-08600-00	. WASHER, PLATE	4	
27	J24-82532-00-00	CAP	4	
28	J17-86126-00-00	PLATE, CONNECTING 1	2	
29	J17-86127-00-00	PLATE, CONNECTING 2	2	
30	92990-08200-00	WASHER, PLAIN	4	

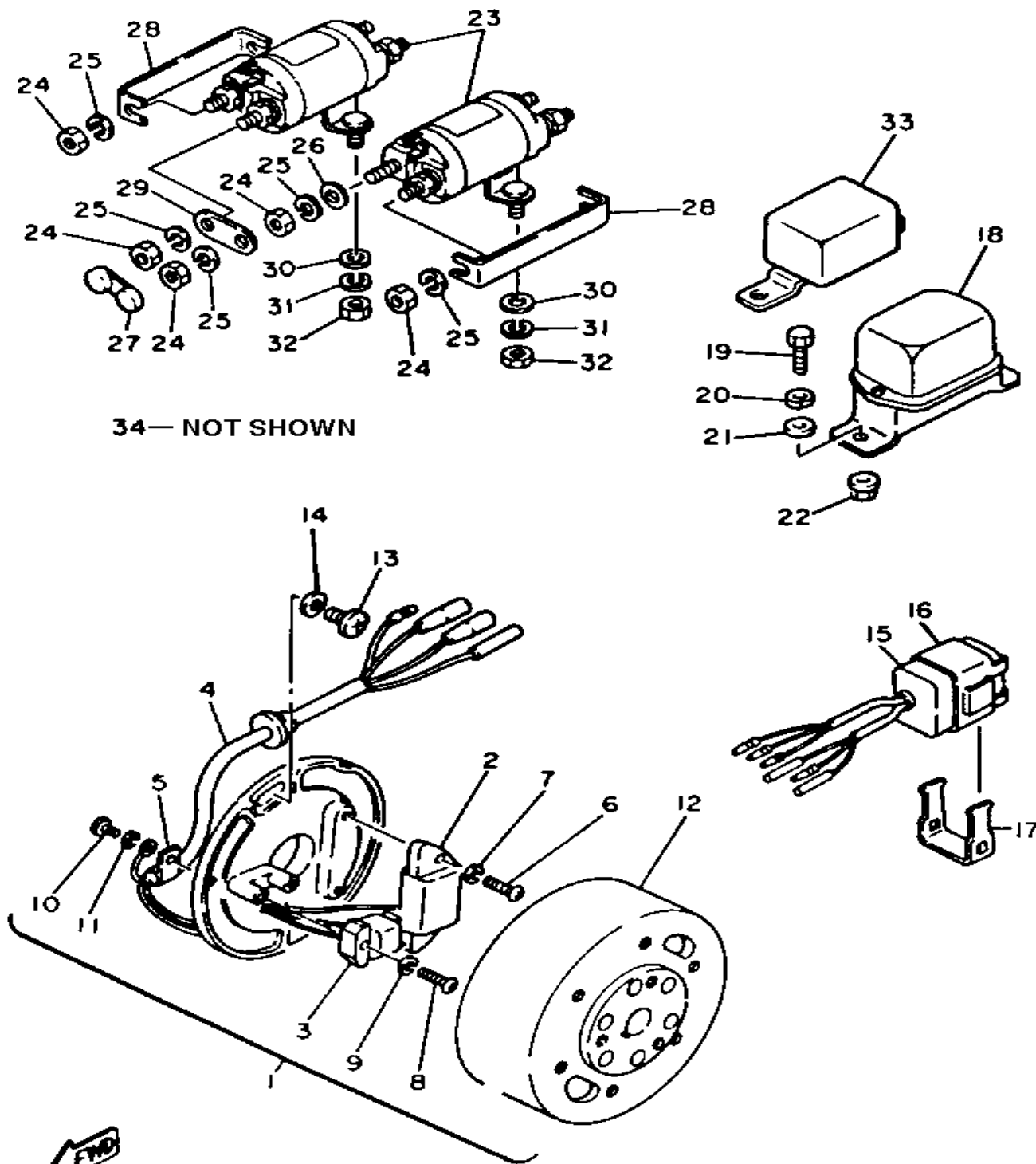
CONTENTS

ACCELERATOR	C4
AIR FILTER	A7-8
AIR SHROUD FAN	A4
ALTERNATE	F4-5
BODY 1	D1-3
BODY 2	D4-6
BODY FITTING	D7-9
BRAKE 1	B11-12,C1
BRAKE 2	C2-3
BUMPER	C11-12
CARBURETOR	A9
CARRIER	D12 ,E1-2
CRANKCASE	A12
CRANKSHAFT PISTON	A3
CYLINDER	A2
ELECTRICAL 1	F1-2
ELECTRICAL 2	F3
EXHAUST	A10-11
FRAME	B2
FRONT SUSPENSION WHEEL	B3-5
FUEL TANK	B9-10
GOVERNOR	C5
HEADLIGHT	E10
INSTRUMENT PANEL	D10
MAGNETO	E8-9
OIL PUMP	A5
OIL TANK	B8
PRIMARY SHEAVE	C6
PUMP DRIVE GEAR	A6
REAR AXLE WHEEL	C10
REAR SHOCKS	B1
SEAT	E3-4
SECONDARY SHEAVE	C7
STARTER PULLEY	E7
STARTING MOTOR	E5-6
STEERING	B6-7
TAILLIGHT	E11
TECHNICAL BULLETINS	ROW K
TRANSMISSION 1	C8-9
URNSIGNAL	E12
WINDSHIELD	D11

CONTINUED ON NEXT FRAME ►

J42110-5320

MAGNETO



34— NOT SHOWN

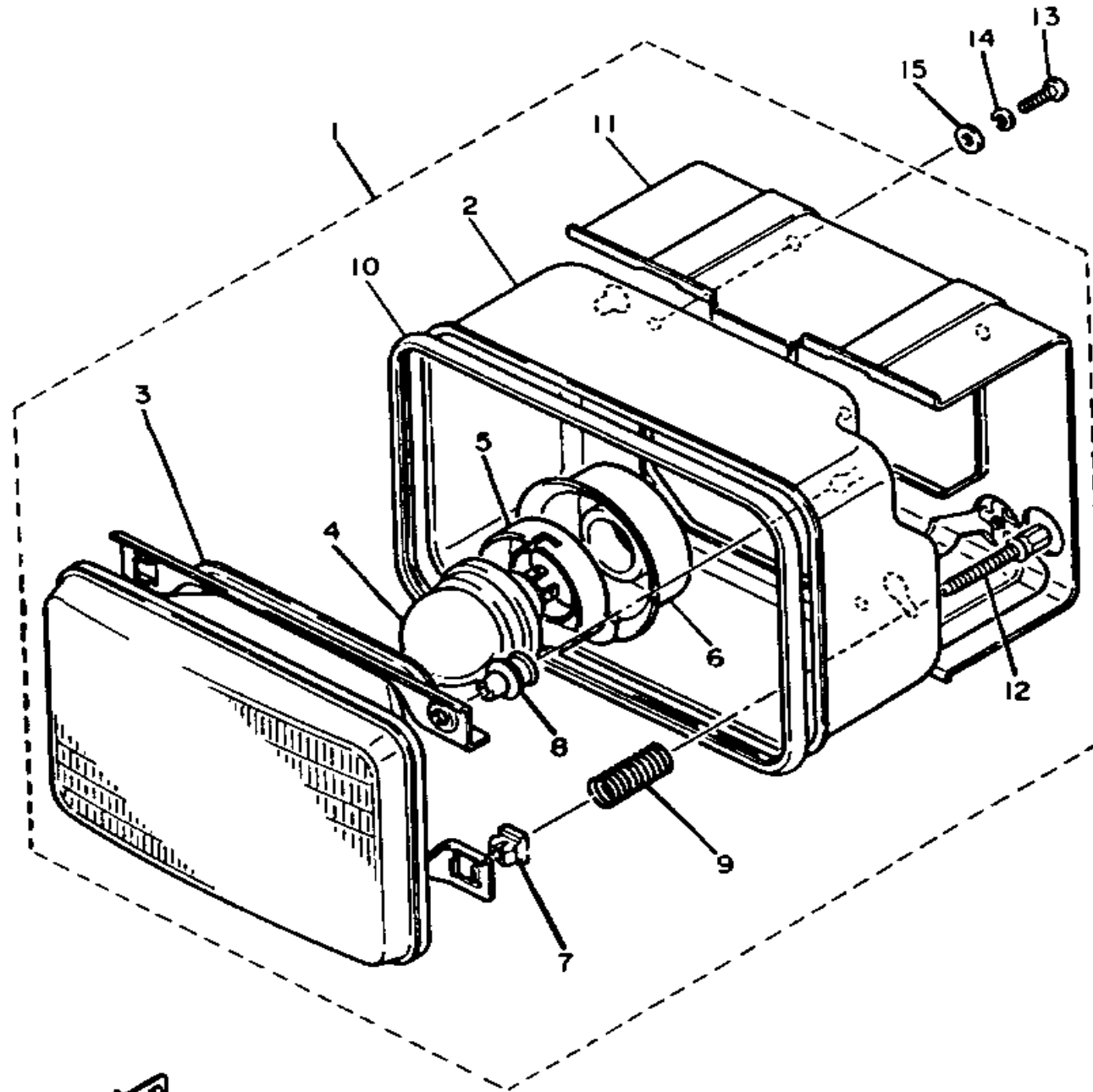
Ref. No.	Part Number	Description	Qty	Remarks
31	92990-08100-00	WASHER	4	
32	95303-08600-00	NUT	4	
33	J27-81950-01-00	RELAY ASSEMBLY	1	
34	J17-81920-19-00	SOLENOID REBUILD KIT	1	NOT SHOWN

CONTENTS

ACCELERATOR	C4
AIR FILTER	A7-8
AIR SHROUD FAN	A4
ALTERNATE	F4-5
BODY 1	D1-3
BODY 2	D4-6
BODY FITTING	D7-9
BRAKE 1	B11-12,C1
BRAKE 2	C2-3
BUMPER	C11-12
CARBURETOR	A9
CARRIER	D12 ,E1-2
CRANKCASE	A12
CRANKSHAFT PISTON	A3
CYLINDER	A2
ELECTRICAL 1	F1-2
ELECTRICAL 2	F3
EXHAUST	A10-11
FRAME	B2
FRONT SUSPENSION WHEEL	B3-5
FUEL TANK	B9-10
GOVERNOR	C5
HEADLIGHT	E10
INSTRUMENT PANEL	D10
MAGNETO	E8-9
OIL PUMP	A5
OIL TANK	B8
PRIMARY SHEAVE	C6
PUMP DRIVE GEAR	A6
REAR AXLE WHEEL	C10
REAR SHOCKS	B1
SEAT	E3-4
SECONDARY SHEAVE	C7
STARTER PULLEY	E7
STARTING MOTOR	E5-6
STEERING	B6-7
TAILLIGHT	E11
TECHNICAL BULLETINS	ROW K
TRANSMISSION 1	C8-9
URNSIGNAL	E12
WINDSHIELD	D11

J42110-5320

HEADLIGHT



Ref. No.	Part Number	Description	Qty	Remarks
1	J42-84300-00-00	HEADLIGHT ASSY	2	
2	J42-84330-00-00	. BODY ASSY	1	
3	J42-84320-00-00	. LENS ASSY	1	
4	1U4-84314-40-XX	. BULB, HEAD LIGHT (12V-45/40W)	1	
5	341-84393-40-00	. HOLDER, BULB	1	
6	46X-84396-00-00	. COVER	1	
7	51L-84334-00-00	. NUT, ADJUSTING	2	
8	51L-8431U-00-00	. HOLDER	1	
9	51L-84332-00-00	. SPRING, SCREW	2	
10	J42-84343-00-00	. MOLE, HEADLIGHT	1	
11	J42-84318-00-00	. STAY, HEADLIGHT 1	1	
12	J42-84331-00-00	. SCREW, RIM ADJUSTING ...	2	
13	98580-05020-00	SCREW, PAN HEAD	8	
14	92990-05100-00	WASHER, SPRING	8	
15	90201-05029-00	WASHER, PLATE	8	

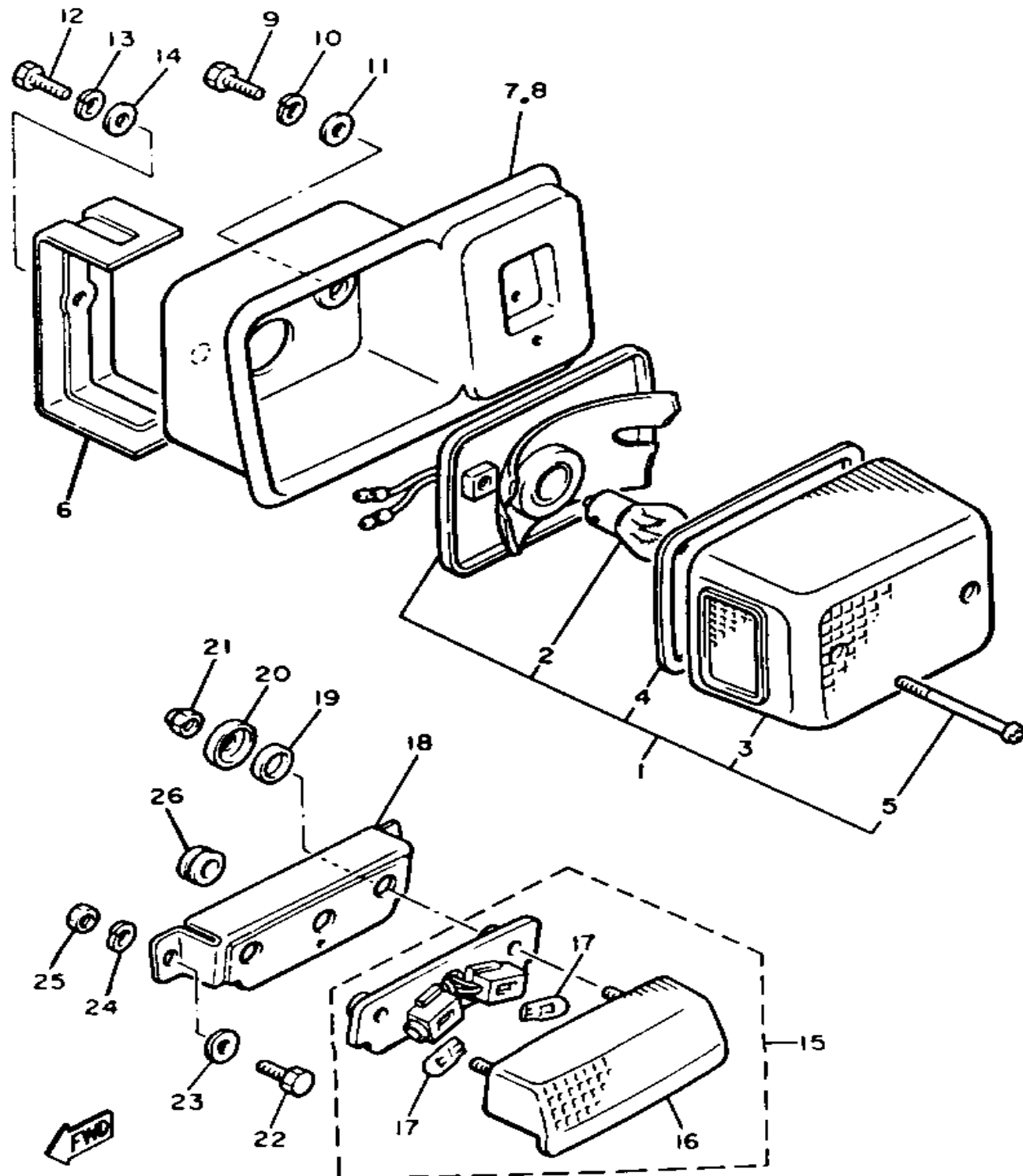
CONTENTS

ACCELERATOR	C4
AIR FILTER	A7-8
AIR SHROUD FAN	A4
ALTERNATE	F4-5
BODY 1	D1-3
BODY 2	D4-6
BODY FITTING	D7-9
BRAKE 1	B11-12,C1
BRAKE 2	C2-3
BUMPER	C11-12
CARBURETOR	A9
CARRIER	D12 ,E1-2
CRANKCASE	A12
CRANKSHAFT PISTON	A3
CYLINDER	A2
ELECTRICAL 1	F1-2
ELECTRICAL 2	F3
EXHAUST	A10-11
FRAME	B2
FRONT SUSPENSION WHEEL	B3-5
FUEL TANK	B9-10
GOVERNOR	C5
HEADLIGHT	E10
INSTRUMENT PANEL	D10
MAGNETO	E8-9
OIL PUMP	A5
OIL TANK	B8
PRIMARY SHEAVE	C6
PUMP DRIVE GEAR	A6
REAR AXLE WHEEL	C10
REAR SHOCKS	B1
SEAT	E3-4
SECONDARY SHEAVE	C7
STARTER PULLEY	E7
STARTING MOTOR	E5-6
STEERING	B6-7
TAILLIGHT	E11
TECHNICAL BULLETINS	ROW K
TRANSMISSION 1	C8-9
URNSIGNAL	E12
WINDSHIELD	D11



J42110-5360

TAILLIGHT



J42110-5370

Ref. No.	Part Number	Description	Qty	Remarks
1	13W-84710-00-00	TAILLIGHT UNIT ASSY	2	
2	256-84714-61-00	. BULB (12V-27/8W)	1	
3	1M8-84521-40-00	. LENS, TAILLIGHT	1	
4	1M1-84523-60-00	. GASKET, LENS	1	
5	1M1-84524-60-00	. SCREW, LENS FITTING	2	
6	J42-84702-00-00	BRACKET, TAILLIGHT	2	
7	J42-84716-00-00	COVER, TAILLIGHT	1	
8	J42-84716-50-00	COVER, TAILLIGHT	1	
9	97313-06016-00	BOLT, HEXAGON	2	
10	90201-063J2-00	WASHER, PLATE	2	
11	92990-06600-00	WASHER, PLATE	2	
12	97011-06025-00	BOLT (97001-06025-00)	2	
13	92995-06100-00	WASHER, SPRING	2	
14	92990-06600-00	WASHER, PLATE	2	
15	2AX-84745-00-00	LICENSE LIGHT UNIT ASSY (4H3-84745-60-00)	1	
16	4H3-84749-00-00	. BODY, LICENSE LIGHT	1	
17	3F9-84744-00-00	. BULB (12V-3.8W)	2	
18	J42-84751-00-XX	BRACKET, LICENSE (J42-84751-00-00)	1	
19	3G1-84553-00-00	DAMPER	2	
20	3F9-84754-00-00	WASHER, SPECIAL	2	
21	95701-05300-00	NUT, NYLON	2	
22	97016-06016-00	BOLT	2	
23	92995-06200-00	WASHER (92902-06200-00)	2	
24	92990-06100-00	WASHER, SPRING	2	
25	95380-06600-00	NUT	2	
26	90480-16422-00	GROMMET	1	

CONTENTS

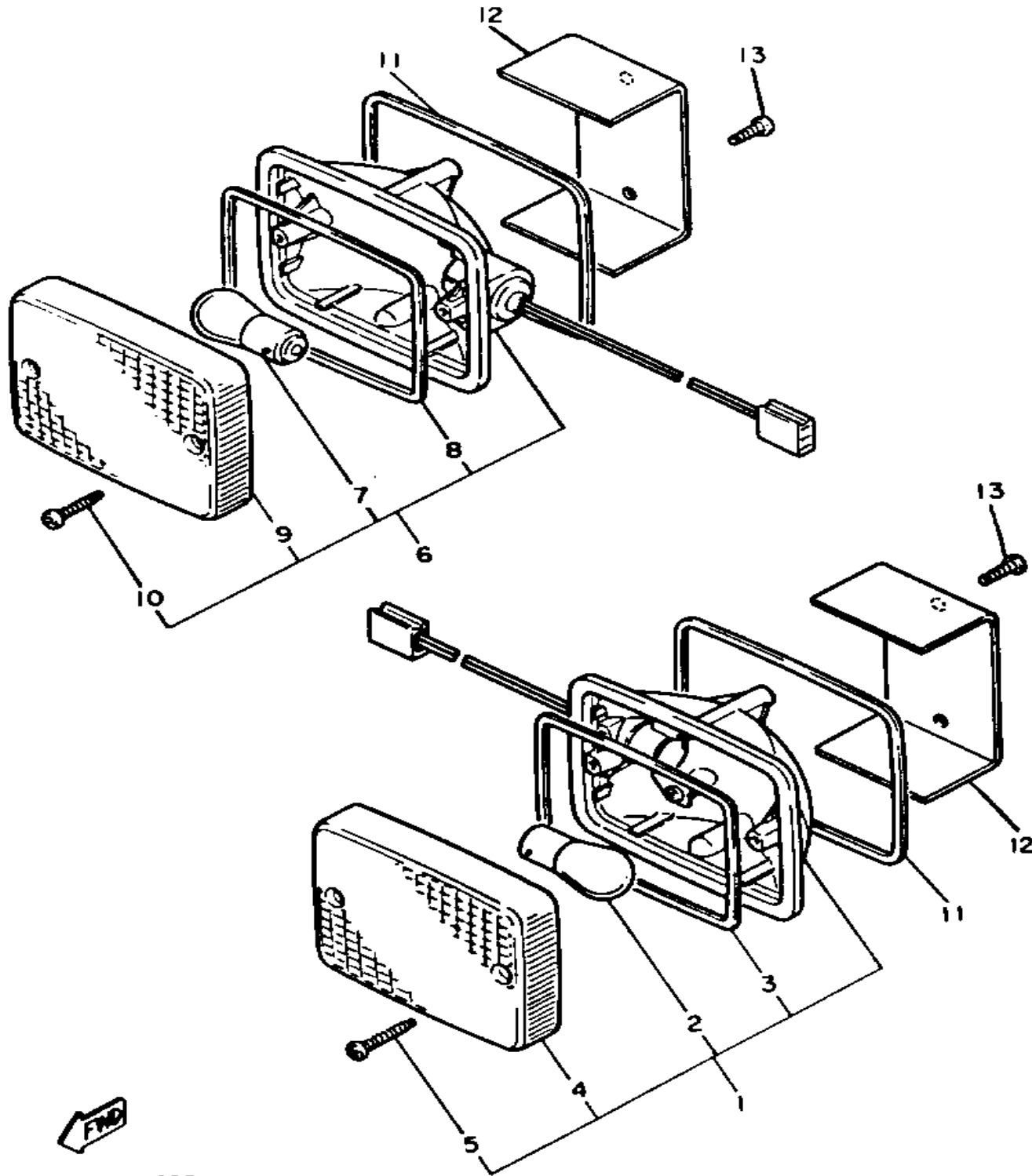
ACCELERATOR	C4
AIR FILTER	A7-8
AIR SHROUD FAN	A4
ALTERNATE	F4-5
BODY 1	D1-3
BODY 2	D4-6
BODY FITTING	D7-9
BRAKE 1	B11-12,C1
BRAKE 2	C2-3
BUMPER	C11-12
CARBURETOR	A9
CARRIER	D12 ,E1-2
CRANKCASE	A12
CRANKSHAFT PISTON	A3
CYLINDER	A2
ELECTRICAL 1	F1-2
ELECTRICAL 2	F3
EXHAUST	A10-11
FRAME	B2
FRONT SUSPENSION WHEEL	B3-5
FUEL TANK	B9-10
GOVERNOR	C5
HEADLIGHT	E10
INSTRUMENT PANEL	D10
MAGNETO	E8-9
OIL PUMP	A5
OIL TANK	B8
PRIMARY SHEAVE	C6
PUMP DRIVE GEAR	A6
REAR AXLE WHEEL	C10
REAR SHOCKS	B1
SEAT	E3-4
SECONDARY SHEAVE	C7
STARTER PULLEY	E7
STARTING MOTOR	E5-6
STEERING	B6-7
TAILLIGHT	E11
TECHNICAL BULLETINS	ROW K
TRANSMISSION 1	C8-9
URNSIGNAL	E12
WINDSHIELD	D11

URNSIGNAL

Ref. No.	Part Number	Description	Qty	Remarks
1	J42-83310-00-00	FRONT FLASHER LIGHT ASSY 1	1	
2	256-84714-61-00	. BULB (12V-27/8W)	1	
3	4G0-83313-00-00	. GASKET, FLASHER LENS	1	
4	4G0-83312-00-00	. LENS, FLASHER	1	
5	97701-40618-00	. SCREW, TAPPING	2	
6	J42-83320-00-00	FRONT FLASHER LIGHT ASSY 2	1	
7	256-84714-61-00	. BULB (12V-27/8W)	1	
8	4G0-83313-00-00	. GASKET, FLASHER LENS	1	
9	4G0-83312-00-00	. LENS, FLASHER	1	
10	97701-40618-00	. SCREW, TAPPING	2	
11	J42-83321-00-00	DAMPER, FLASHER 1	2	
12	J42-83318-00-00	STAY, FLASHER 1	2	
13	97780-50514-00 (97702-5016-00)	SCREW, TAPPING	4	

CONTENTS

ACCELERATOR	C4
AIR FILTER	A7-8
AIR SHROUD FAN	A4
ALTERNATE	F4-5
BODY 1	D1-3
BODY 2	D4-6
BODY FITTING	D7-9
BRAKE 1	B11-12,C1
BRAKE 2	C2-3
BUMPER	C11-12
CARBURETOR	A9
CARRIER	D12 ,E1-2
CRANKCASE	A12
CRANKSHAFT PISTON	A3
CYLINDER	A2
ELECTRICAL 1	F1-2
ELECTRICAL 2	F3
EXHAUST	A10-11
FRAME	B2
FRONT SUSPENSION WHEEL	B3-5
FUEL TANK	B9-10
GOVERNOR	C5
HEADLIGHT	E10
INSTRUMENT PANEL	D10
MAGNETO	E8-9
OIL PUMP	A5
OIL TANK	B8
PRIMARY SHEAVE	C6
PUMP DRIVE GEAR	A6
REAR AXLE WHEEL	C10
REAR SHOCKS	B1
SEAT	E3-4
SECONDARY SHEAVE	C7
STARTER PULLEY	E7
STARTING MOTOR	E5-6
STEERING	B6-7
TAILLIGHT	E11
TECHNICAL BULLETINS	ROW K
TRANSMISSION 1	C8-9
URNSIGNAL	E12
WINDSHIELD	D11



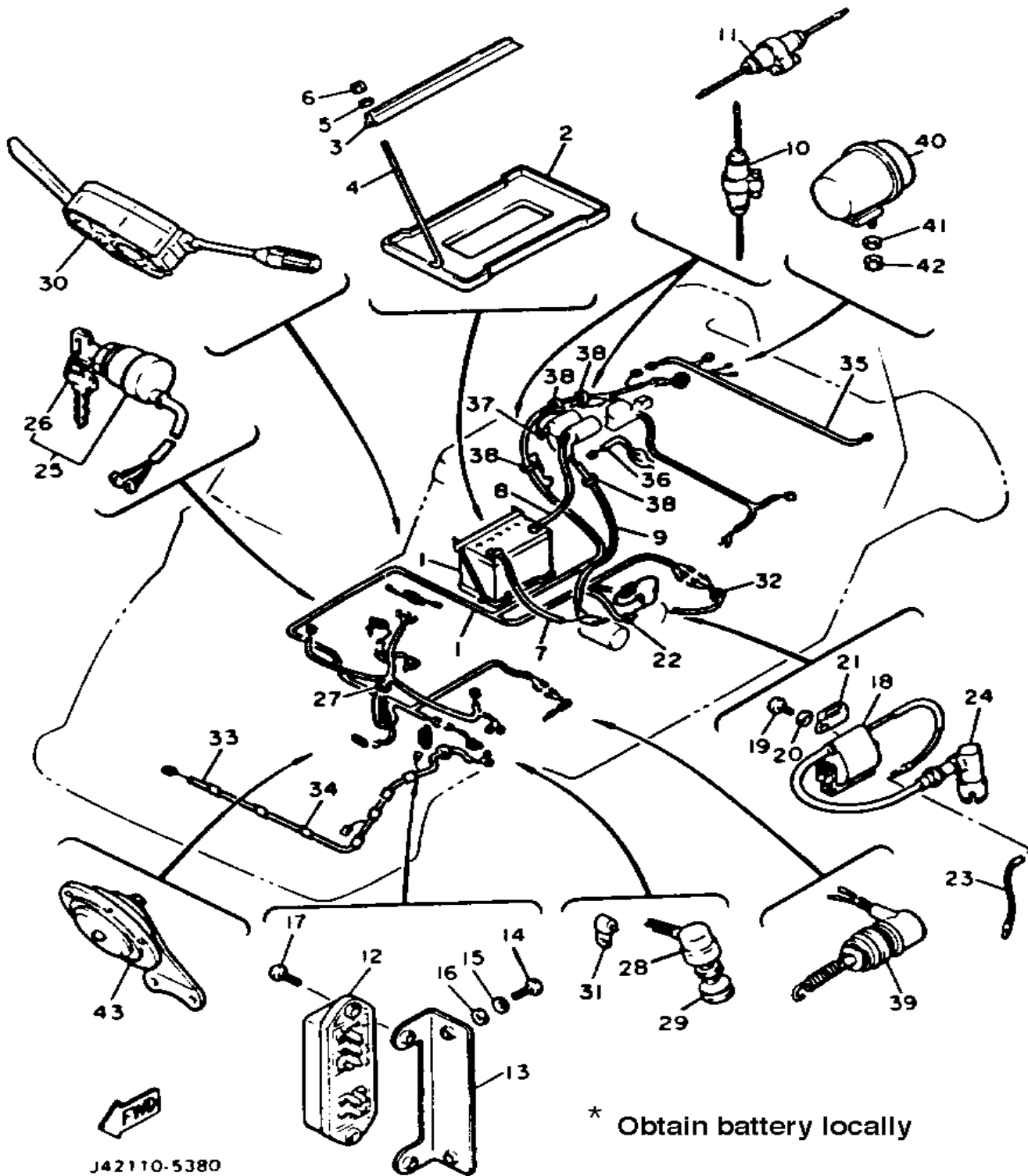
J42110-5350

ELECTRICAL 1

Ref. No.	Part Number	Description	Qty	Remarks
1	J42-82590-20-00	WIRE HARNESS ASY	1	
2	J55-H2122-00-00	SEAT, BATTERY	1	
3	J55-H2136-00-00	PLATE, BATTERY	1	
4	J17-82133-00-00	SCREW, FITTING	2	
5	92990-06200-00	WASHER	2	
6	95701-06300-00	NUT, NYLON	2	
7	J10-82115-00-00	WIRE, PLUS LEAD	1	
8	J17-82116-00-00	WIRE, MINUS LEAD	1	
9	J17-82105-00-00	WIRE HARNESS	1	
10	J42-82150-50-00	FUSE HOLDER ASSEMBLY	1	
11	J42-82150-50-00	FUSE HOLDER ASSEMBLY	1	
12	J42-82170-00-00	FUSE BOX ASSY	1	
13	J42-82171-00-00	STAY, FUSE BOX	1	
14	92580-06020-00	SCREW, PAN HEAD	2	
15	92995-06100-00	WASHER, SPRING	2	
16	92990-06600-00	WASHER, PLATE	2	
17	92503-06015-00	SCREW, PAN HEAD (92502-06016-00)	2	
18	5G4-82310-40-00	IGNITION COIL ASSEMBLY (J17-82310-21-00)	1	
19	98511-06025-00	SCREW PAN HEAD (92501-06025-00)	2	
20	92995-06100-00	WASHER, SPRING	2	
21	90465-06038-00	CLAMP	1	
22	90464-12036-00	CLAMP	1	
23	87D-82318-00-00	WIRE, SUB-LEAD	1	
24	512-82370-10-00	PLUG CAP ASSEMBLY	1	WITH NOISE SUPPRESSER
25	J42-82510-20-00	MAIN SWITCH ASSY	1	
26	90890-55813-00	. KEY, MAIN SWITCH	1	
27	25G-83936-00-00	BAND, SWITCH CORD (256-83936-00-00)	1	

CONTENTS

ACCELERATOR	C4
AIR FILTER	A7-8
AIR SHROUD FAN	A4
ALTERNATE	F4-5
BODY 1	D1-3
BODY 2	D4-6
BODY FITTING	D7-9
BRAKE 1	B11-12,C1
BRAKE 2	C2-3
BUMPER	C11-12
CARBURETOR	A9
CARRIER	D12 ,E1-2
CRANKCASE	A12
CRANKSHAFT PISTON	A3
CYLINDER	A2
ELECTRICAL 1	F1-2
ELECTRICAL 2	F3
EXHAUST	A10-11
FRAME	B2
FRONT SUSPENSION WHEEL	B3-5
FUEL TANK	B9-10
GOVERNOR	C5
HEADLIGHT	E10
INSTRUMENT PANEL	D10
MAGNETO	E8-9
OIL PUMP	A5
OIL TANK	B8
PRIMARY SHEAVE	C6
PUMP DRIVE GEAR	A6
REAR AXLE WHEEL	C10
REAR SHOCKS	B1
SEAT	E3-4
SECONDARY SHEAVE	C7
STARTER PULLEY	E7
STARTING MOTOR	E5-6
STEERING	B6-7
TAILLIGHT	E11
TECHNICAL BULLETINS	ROW K
TRANSMISSION 1	C8-9
URNSIGNAL	E12
WINDSHIELD	D11



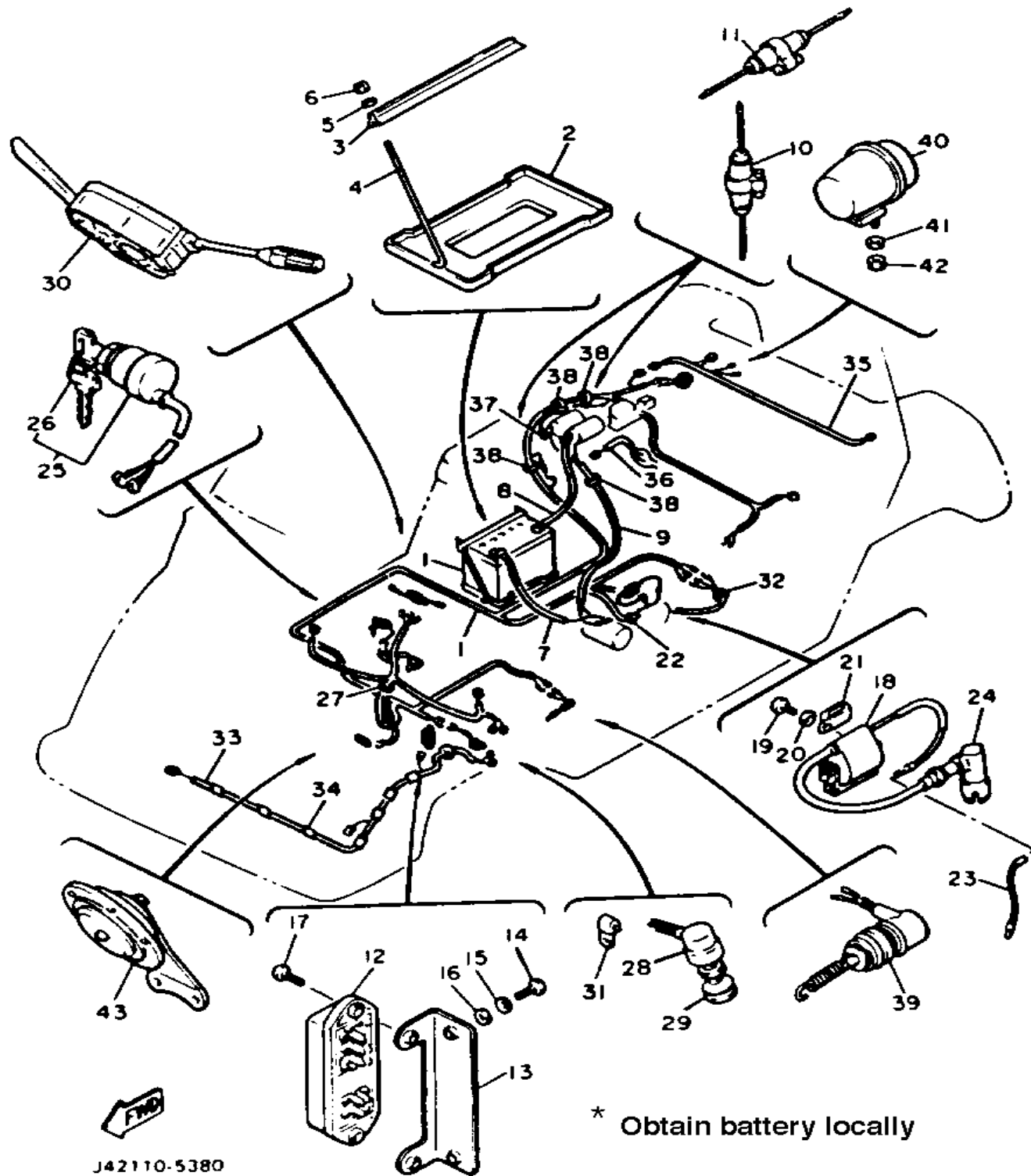
CONTINUED ON NEXT FRAME ►

ELECTRICAL 1

Ref. No.	Part Number	Description	Qty	Remarks
28	J17-82550-01-00	STOP SWITCH ASSEMBLY	1	
29	JF2-82532-00-00	. CAP, RUBBER	1	
30	J42-83975-00-00	SWITCH, HANDLE 2	1	
31	90465-06038-00	CLAMP	1	
32	437-83936-01-00	BAND, SWITCH CORD	1	
33	J42-82580-00-00	WIRE HARNESS ASSY 2	1	
34	J42-7717E-00-00	TAPE 1	14	NOT AVAILABLE
35	J42-84727-00-00	CORD, TAILLIGHT	1	
36	J17-86177-00-00	WIRE, LEAD 7	1	
37	J42-82318-00-00	WIRE, SUB-LEAD	1	
38	90464-12036-00	CLAMP	4	
39	J13-82530-00-00	STOP SWITCH ASSY	1	
40	J18-83383-00-00	BUZZER	1	
41	92990-06600-00	WASHER, PLATE	1	
42	95701-06300-00	NUT, NYLON	1	
43	J42-83371-00-00	HORN	1	

CONTENTS

ACCELERATOR	C4
AIR FILTER	A7-8
AIR SHROUD FAN	A4
ALTERNATE	F4-5
BODY 1	D1-3
BODY 2	D4-6
BODY FITTING	D7-9
BRAKE 1	B11-12,C1
BRAKE 2	C2-3
BUMPER	C11-12
CARBURETOR	A9
CARRIER	D12 ,E1-2
CRANKCASE	A12
CRANKSHAFT PISTON	A3
CYLINDER	A2
ELECTRICAL 1	F1-2
ELECTRICAL 2	F3
EXHAUST	A10-11
FRAME	B2
FRONT SUSPENSION WHEEL	B3-5
FUEL TANK	B9-10
GOVERNOR	C5
HEADLIGHT	E10
INSTRUMENT PANEL	D10
MAGNETO	E8-9
OIL PUMP	A5
OIL TANK	B8
PRIMARY SHEAVE	C6
PUMP DRIVE GEAR	A6
REAR AXLE WHEEL	C10
REAR SHOCKS	B1
SEAT	E3-4
SECONDARY SHEAVE	C7
STARTER PULLEY	E7
STARTING MOTOR	E5-6
STEERING	B6-7
TAILLIGHT	E11
TECHNICAL BULLETINS	ROW K
TRANSMISSION 1	C8-9
URNSIGNAL	E12
WINDSHIELD	D11

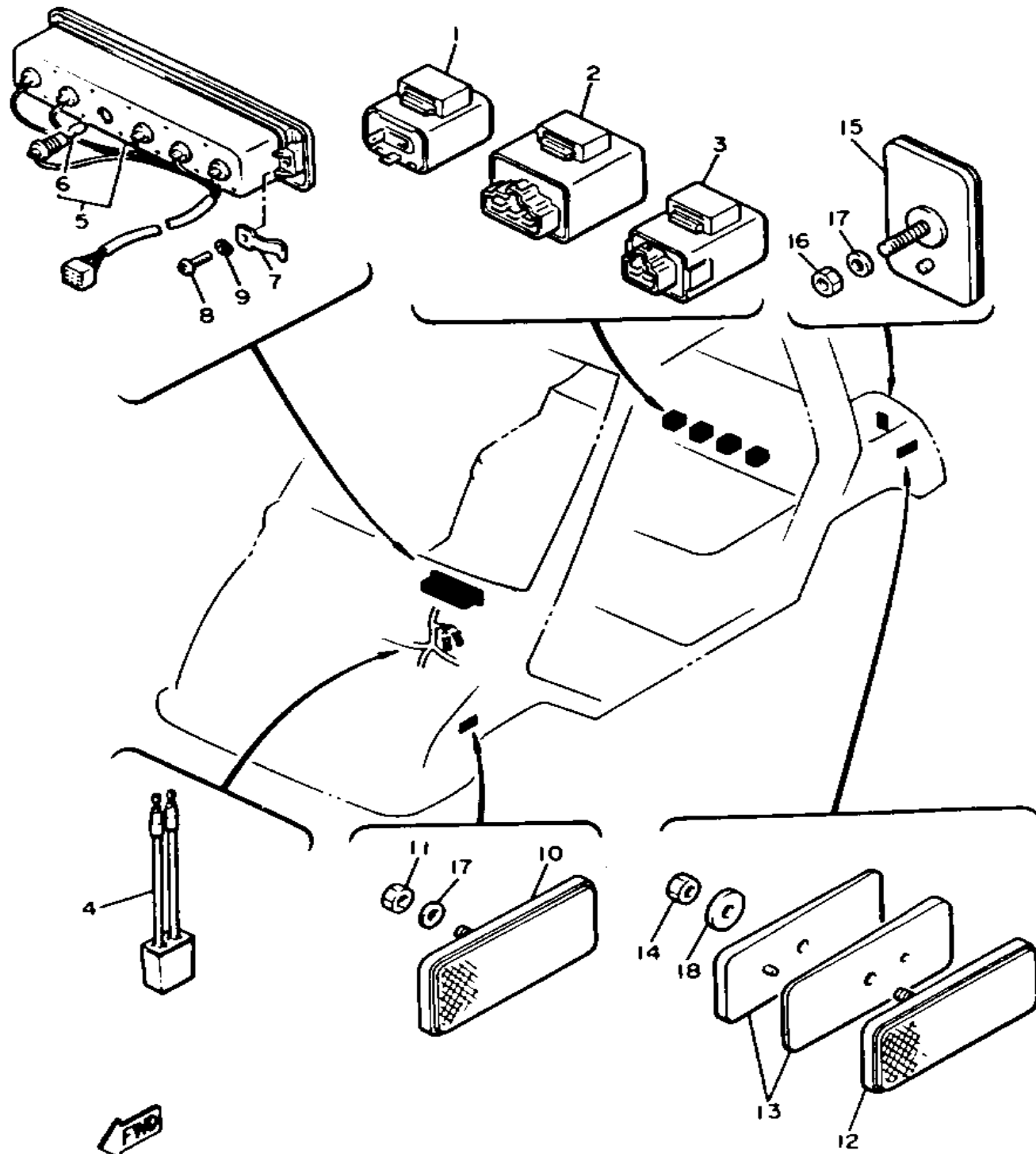


ELECTRICAL 2

Ref. No.	Part Number	Description	Qty	Remarks
1	33M-83350-20-00	FLASHER RELAY ASSY	1	
2	J42-83350-00-00	FLASHER RELAY ASSY	2	
3	J42-85590-01-00	CONTROL UNIT ASSEMBLY ..	1	
4	38W-85774-00-00	CHECKER, PILOT LAMP	2	
5	J42-83530-00-00	PILOT LIGHT ASSY	1	
6	4G1-84744-00-00	. BULB, METER (12V3.4W) ...	6	
7	J50-83514-00-00	PLATE, FITTING	2	
8	98501-05010-00	SCREW, PAN HEAD	2	
9	92901-04600-00	WASHER, PLATE	2	
10	11H-85110-01-00	REFLECTOR ASSY	2	
11	95701-05300-00	NUT, NYLON	2	
12	J42-85140-00-00	REAR REFLECTOR ASSY	2	
13	J42-85115-00-00	BASE, REFLECTOR	4	
14	95701-05300-00	NUT, NYLON	2	
15	J42-85130-00-00	REAR REFLECTOR ASSY	2	
16	95701-05300-00	NUT, NYLON	2	
17	92990-05200-00	WASHER, PLAIN	4	
18	90201-052E8-00	WASHER, PLATE	2	

CONTENTS

ACCELERATOR	C4
AIR FILTER	A7-8
AIR SHROUD FAN	A4
ALTERNATE	F4-5
BODY 1	D1-3
BODY 2	D4-6
BODY FITTING	D7-9
BRAKE 1	B11-12,C1
BRAKE 2	C2-3
BUMPER	C11-12
CARBURETOR	A9
CARRIER	D12 ,E1-2
CRANKCASE	A12
CRANKSHAFT PISTON	A3
CYLINDER	A2
ELECTRICAL 1	F1-2
ELECTRICAL 2	F3
EXHAUST	A10-11
FRAME	B2
FRONT SUSPENSION WHEEL	B3-5
FUEL TANK	B9-10
GOVERNOR	C5
HEADLIGHT	E10
INSTRUMENT PANEL	D10
MAGNETO	E8-9
OIL PUMP	A5
OIL TANK	B8
PRIMARY SHEAVE	C6
PUMP DRIVE GEAR	A6
REAR AXLE WHEEL	C10
REAR SHOCKS	B1
SEAT	E3-4
SECONDARY SHEAVE	C7
STARTER PULLEY	E7
STARTING MOTOR	E5-6
STEERING	B6-7
TAILLIGHT	E11
TECHNICAL BULLETINS	ROW K
TRANSMISSION 1	C8-9
URNSIGNAL	E12
WINDSHIELD	D11



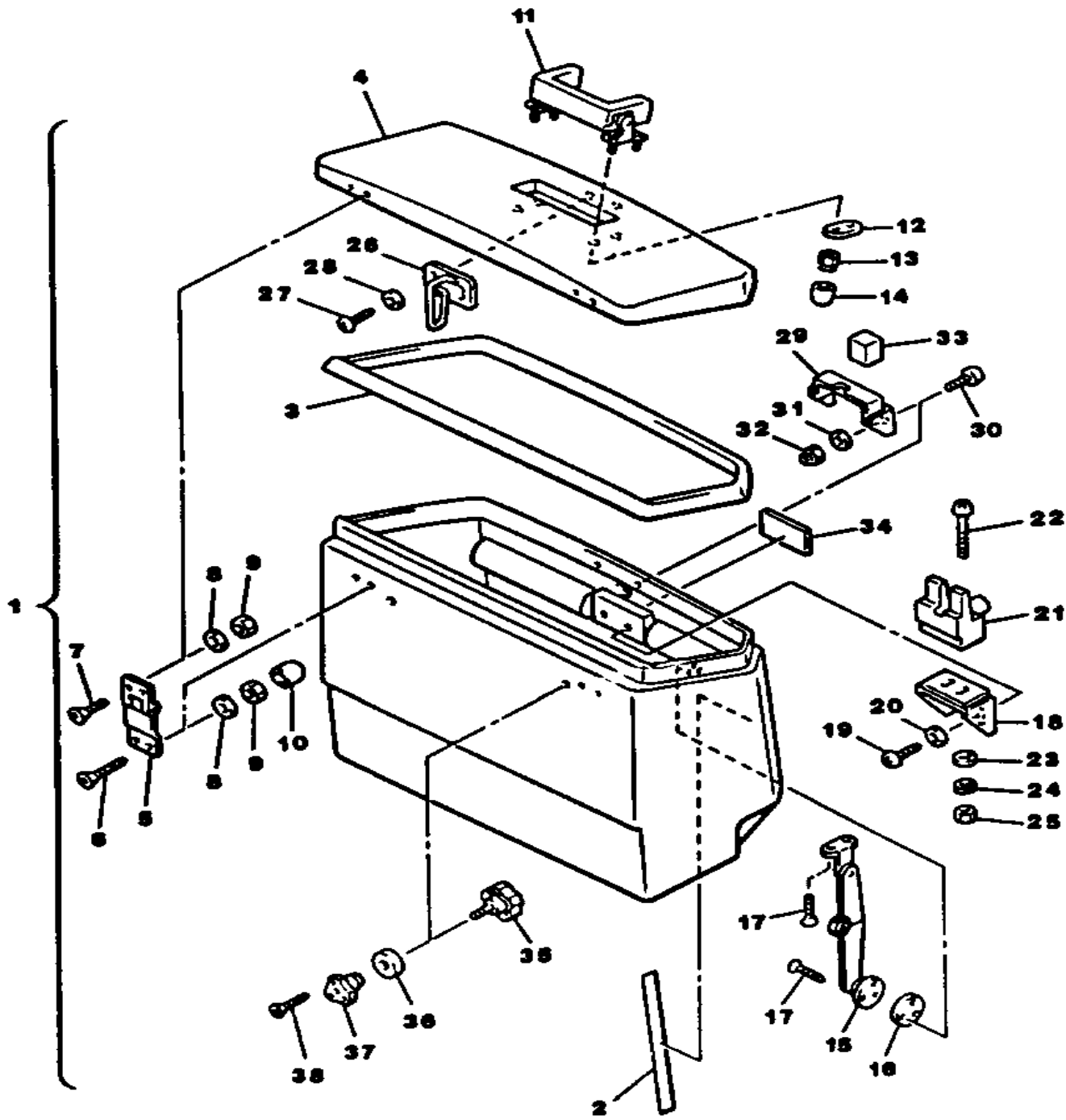
J42110-5390

ALTERNATE

Ref. No.	Part Number	Description	Qty	Remarks
1	J42-7810R-00-00	REAR STORAGE BOX	1	
2	J42-7824G-00-00	. TAPE 2	2	
3	J42-7815K-00-00	. SEAL, REAR STORAGE	1	
4	J42-7810N-00-00	. REAR STORAGE LID COMP	1	
5	J42-7815J-00-00	. HINGE, REAR STORAGE	2	
6	98701-05025-00	. SCREW, FLAT HEAD	4	
7	98701-05016-00	. SCREW, FLAT HEAD	4	
8	92990-05200-00	. WASHER, PLAIN	8	
9	95701-05300-00	. NUT, NYLON	8	
10	90190-05008-00	. CLING	4	
11	J42-28408-00-00	GRIP, SADDLEBAG	1	
12	26H-28458-00-00	PATCH	2	
13	95701-05300-00	. NUT, NYLON	4	
14	90190-05008-00	. CLING	4	
15	J42-7831T-00-00	. SUPPORT, REAR LID	1	
16	J42-78328-00-00	. SPACER 1	1	
17	97780-30312-00	. SCREW, TAPPING	5	
18	J42-78323-00-00	. BRACKET 1	1	
19	97780-60520-00	. SCREW, TAPPING	2	
20	92990-06600-00	. WASHER, PLATE	2	
21	23T-24780-00-00	SEAT LOCK ASSEMBLY	1	
22	98580-06040-00	. SCREW, PAN HEAD (90501-06040-00)	2	
23	92990-06600-00	. WASHER, PLATE	2	
24	92995-06100-00	. WASHER, SPRING	2	
25	95380-06600-00	. NUT	2	
26	J42-7831R-00-00	. HOOK, END 3	1	
27	97780-60116-00	. SCREW, TAPPING	2	
28	92990-06600-00	. WASHER, PLATE	2	
29	J42-78325-00-00	. BRACKET 3	1	

CONTENTS

ACCELERATOR	C4
AIR FILTER	A7-8
AIR SHROUD FAN	A4
ALTERNATE	F4-5
BODY 1	D1-3
BODY 2	D4-6
BODY FITTING	D7-9
BRAKE 1	B11-12,C1
BRAKE 2	C2-3
BUMPER	C11-12
CARBURETOR	A9
CARRIER	D12 ,E1-2
CRANKCASE	A12
CRANKSHAFT PISTON	A3
CYLINDER	A2
ELECTRICAL 1	F1-2
ELECTRICAL 2	F3
EXHAUST	A10-11
FRAME	B2
FRONT SUSPENSION WHEEL	B3-5
FUEL TANK	B9-10
GOVERNOR	C5
HEADLIGHT	E10
INSTRUMENT PANEL	D10
MAGNETO	E8-9
OIL PUMP	A5
OIL TANK	B8
PRIMARY SHEAVE	C6
PUMP DRIVE GEAR	A6
REAR AXLE WHEEL	C10
REAR SHOCKS	B1
SEAT	E3-4
SECONDARY SHEAVE	C7
STARTER PULLEY	E7
STARTING MOTOR	E5-6
STEERING	B6-7
TAILLIGHT	E11
TECHNICAL BULLETINS	ROW K
TRANSMISSION 1	C8-9
URNSIGNAL	E12
WINDSHIELD	D11



J42110-5401

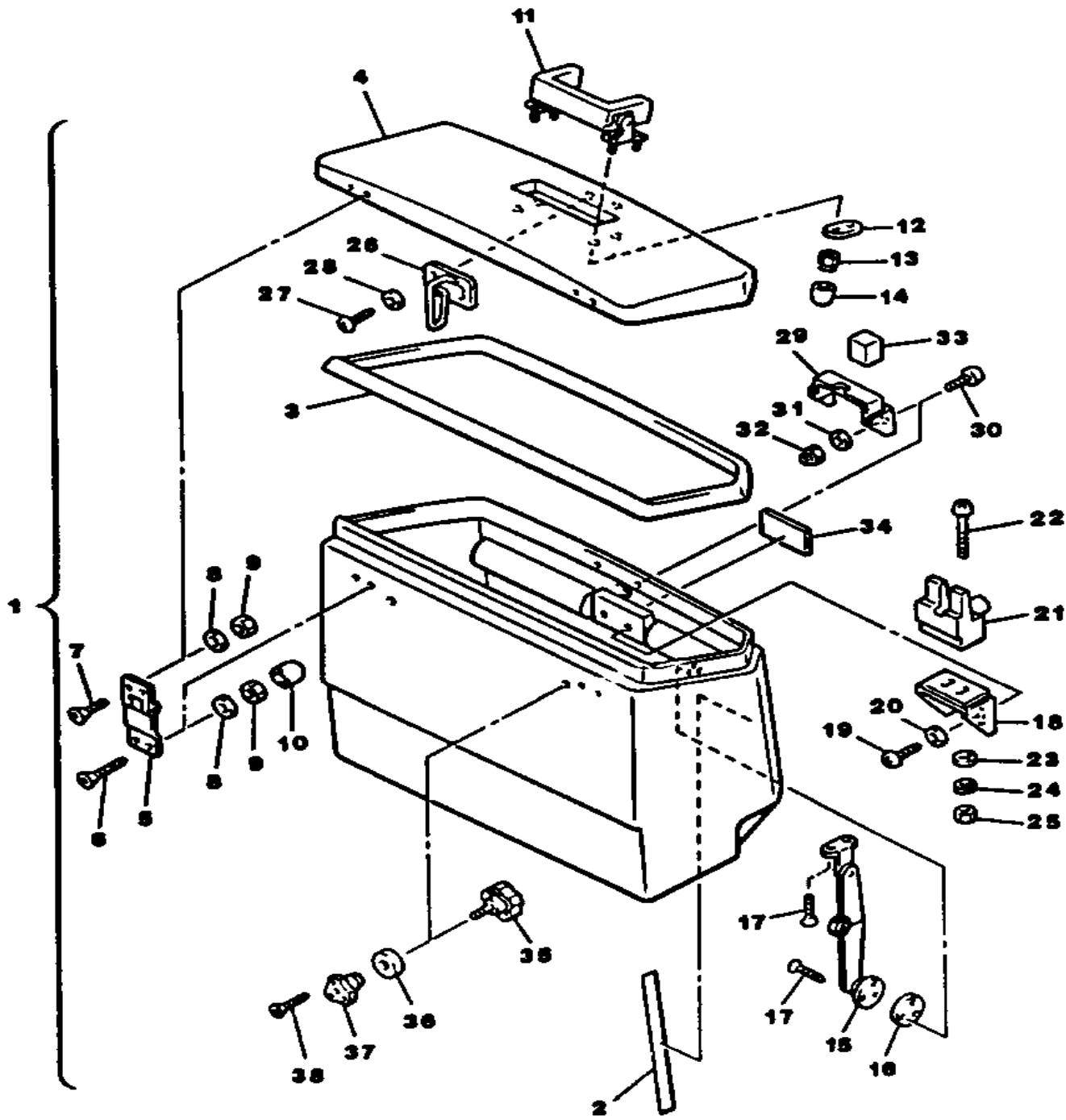
CONTINUED ON NEXT FRAME >

ALTERNATE

Ref. No.	Part Number	Description	Qty	Remarks
30	98901-04010-00	. SCREW, BIND	2	
31	92901-04600-00	. WASHER, PLATE	2	
32	95701-04300-00	. NUT, FLANGE	2	
33	J42-78316-00-00	. DAMPER	2	
34	25G-21578-00-00	. EMBLEM	1	
35	J42-78383-00-00	. KNOB	2	
36	J42-78329-00-00	. SPACER 2	2	
37	A00-65628-40-00	INSERT NUT	2	
38	97780-30312-00	. SCREW, TAPPING	6	

CONTENTS

ACCELERATOR	C4
AIR FILTER	A7-8
AIR SHROUD FAN	A4
ALTERNATE	F4-5
BODY 1	D1-3
BODY 2	D4-6
BODY FITTING	D7-9
BRAKE 1	B11-12,C1
BRAKE 2	C2-3
BUMPER	C11-12
CARBURETOR	A9
CARRIER	D12 ,E1-2
CRANKCASE	A12
CRANKSHAFT PISTON	A3
CYLINDER	A2
ELECTRICAL 1	F1-2
ELECTRICAL 2	F3
EXHAUST	A10-11
FRAME	B2
FRONT SUSPENSION WHEEL	B3-5
FUEL TANK	B9-10
GOVERNOR	C5
HEADLIGHT	E10
INSTRUMENT PANEL	D10
MAGNETO	E8-9
OIL PUMP	A5
OIL TANK	B8
PRIMARY SHEAVE	C6
PUMP DRIVE GEAR	A6
REAR AXLE WHEEL	C10
REAR SHOCKS	B1
SEAT	E3-4
SECONDARY SHEAVE	C7
STARTER PULLEY	E7
STARTING MOTOR	E5-6
STEERING	B6-7
TAILLIGHT	E11
TECHNICAL BULLETINS	ROW K
TRANSMISSION 1	C8-9
URNSIGNAL	E12
WINDSHIELD	D11



J42110-5401

TECHNICAL BULLETIN

GOLF CAR	DATE 1/10/86	BY G84-001	GOLF CAR	DATE 1/31/86	BY G85-002
----------	--------------	------------	----------	--------------	------------

G3 KEY/LOCK OR MAIN SWITCH REPLACEMENT

The G3 (Sun Classic) comes with one key that conveniently fits the main ignition switch, front trunk, and glove compartment. Retaining this feature for your customer could be difficult if keys are lost, or if locks and switches become inoperative for any reason. However, if the procedures outlined in this bulletin are followed, key, lock or main switch replacement on affected units will be easy.

AFFECTED UNITS

All G3

SERVICE PROCEDURES

KEY REPLACEMENT

The G3 (Sun Classic) has 250 different key combinations. It would not be practical to stock all key combinations. The following three steps will help if key replacement becomes necessary:

1. ALWAYS record the key number on all copies of the sales record at the time of sale. This number is stamped on the side of each key. This will ensure a permanent record of the key identification number. You can call YPDI to arrange for duplicate keys to be cut if this key number is known.
2. Tell your customer that a key may be duplicated at any regular locksmith or hardware store provided a proper blank is

available. YPDI offers a suitable blank key. See PARTS INFORMATION below.

3. If all keys are lost, and the key number is not known, the number can be read from the black sticker on the side of the main switch. However, this number is very difficult to read, and must be carefully inspected in bright light.

LOCK OR MAIN SWITCH REPLACEMENT

Many lock or main switch problems are due to a breakdown of the main switch mechanism, not the tumblers (that part of the lock or main switch turned by the key). If the customer wishes to retain the one-key system, the original tumblers should be removed from the original lock or main switch assembly, inspected by a reputable locksmith to ensure that the tumblers are indeed in good condition, and then installed in a new lock or main switch assembly by the locksmith.

NOTE: If a lock or switch assembly becomes inoperative, an entirely new lock or main switch assembly must be ordered from YPDI. A new key comes with every new lock or main switch assembly ordered. If the customer does not necessarily wish to retain the one-key system, simply replace the inoperative lock or main switch assembly with a new one. The customer will then have to use more than one key to operate all locks on the unit.

PARTS INFORMATION

PART NUMBER	DESCRIPTION	REMARKS	DEALER COST
J42-82510-20-00	Main Switch Assembly	(Ignition)	
J42-24705-00-00	Seat Lock Assembly	(Front trunk)	
Z5G-21706-00-00	Side Cover Lock Assembly	(Glove box)	
90890-55813-00	Key Blank "K"		

WARRANTY

This bulletin is issued for informational purposes only; no special warranty procedures apply.

SERVICE COPY	SER MGR	MECH	MECH	MECH	INSTR
OFFICE COPY	GEN MGR	SALES	PARTS	INSTR	PAGE 1 OF 1

G3-A WINDSHIELD CLEANING

To avoid damage, care must be exercised while cleaning the G3-A acrylic plastic windshield. If it is wiped with a dry cloth, or while wet or dry dirt is present, the windshield may be scratched. Please perform the following procedure for proper windshield cleaning without scratching.

AFFECTED MODELS

All G3-A

SERVICE PROCEDURES

NORMAL CLEANING

1. Flush dirt off windshield with water from a hose. If there is more than just a light coat of dry dust, spray on soapy water before flushing.
2. Carefully dry the surface of the windshield using an extremely soft fabric. A flannel or a T-shirt type of material is best. Terry cloth or paper towels can possibly cause scratching to the windshield surface. Do not rub heavily!

PARTS INFORMATION

PART NUMBER	DESCRIPTION	DEALER COST
ACC-1100-13-01	Windshield Cleaner	

WARRANTY

This bulletin is issued for informational purposes only; no special warranty procedures apply.

SERVICE COPY	SER MGR	MECH	MECH	MECH	INSTR
OFFICE COPY	GEN MGR	SALES	PARTS	INSTR	PAGE 1 OF 1

TECHNICAL BULLETIN

GOLF CAR	DATE 1/30/86	BY G86-003	GOLF CAR	DATE 2/7/86	BY G86-004
----------	--------------	------------	----------	-------------	------------

G-3A BODY ASSEMBLY

There has been some difficulty in properly aligning the rear body of the G3 during assembly. To make this easier, some assembly personnel have been using spacers to hold the rear body tightly against the middle body section.

However, using this method will eventually cause damage to the body panels through concentrated stress at points not designed to carry a load.

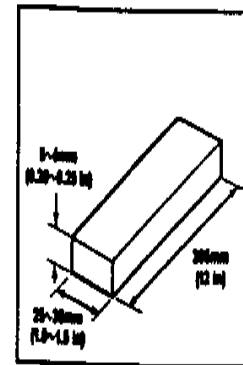
An alternative procedure is presented below:

AFFECTED UNITS

All G3-A

SERVICE PROCEDURES

- 1) Construct two spacers (using the dimensions given in the illustration) from a soft material such as plastic, rubber or soft wood.



- 2) After the mounting bolts for the rear body and bag support have been installed, but not tightened, insert these spacers between the rear and middle body pieces (reference page 47 of the G3 assembly manual). While the rear body is being held tightly in place by a helper, tighten the securing bolts.

- 3) Once all the mounting bolts have been tightened, remove the spacers.

WARRANTY

This bulletin is issued for informational purposes only; no special warranty procedures apply.

SERVICE COPY	SER MGR	MECH	MECH	MECH	INSTR
OFFICE COPY	GEN MGR	SALES	PARTS	INSTR	PAGE 1 OF 1

G3-A PREVENTING TIRE CONTACT WITH FRAME

It is possible for the left front tire to contact the frame reinforcement and plastic body panel if the suspension compresses completely while making a hard left turn. This contact will cause noise, and may cause minor tire damage.

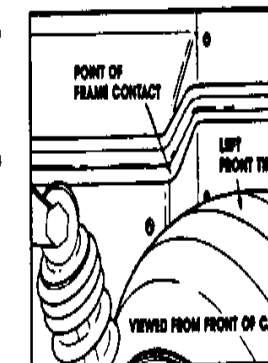
The frame must be modified in the area of the control pedal recess to prevent tire contact. Perform this modification on all affected units. The tire may still touch the body panel occasionally, but the tire will not be damaged by this contact.

AFFECTED UNITS

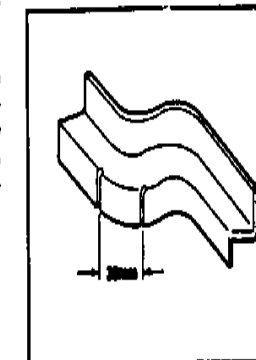
G3-A, J42-00001 ~ 001673

SERVICE PROCEDURES:

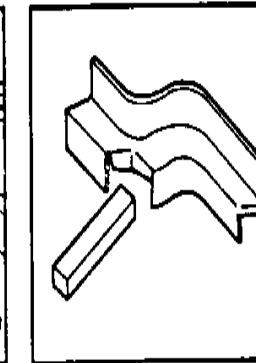
1. Set the parking brake and jack up the car to elevate the left front wheel. Remove the wheel. Locate the area of the frame reinforcement that is closest to the tire as shown in the illustration. This is the area to be modified.



2. Using a disc grinder or cut-off wheel, make two notches in the frame approximately 30mm (1-3/16") apart as illustrated.



3. Using an iron bar and a heavy hammer, bend the portion of the frame within the notches back until it almost touches the body panel.



(For additional information see reverse side)

SERVICE COPY	SER MGR	MECH	MECH	MECH	INSTR
OFFICE COPY	GEN MGR	SALES	PARTS	INSTR	PAGE 1 OF 2

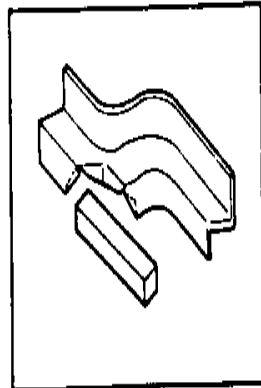
CONTENTS

ACCELERATOR	C4
AIR FILTER	A7-8
AIR SHROUD FAN	A4
ALTERNATE	F4-5
BODY 1	D1-3
BODY 2	D4-6
BODY FITTING	D7-9
BRAKE 1	B11-12, C1
BRAKE 2	C2-3
BUMPER	C11-12
CARBURETOR	A9
CARRIER	D12, E1-2
CRANKCASE	A12
CRANKSHAFT PISTON	A3
CYLINDER	A2
ELECTRICAL 1	F1-2
ELECTRICAL 2	F3
EXHAUST	A10-11
FRAME	B2
FRONT SUSPENSION WHEEL	B3-5
FUEL TANK	B9-10
GOVERNOR	C5
HEADLIGHT	E10
INSTRUMENT PANEL	D10
MAGNETO	E8-9
OIL PUMP	A5
OIL TANK	B8
PRIMARY SHEAVE	C6
PUMP DRIVE GEAR	A6
REAR AXLE WHEEL	C10
REAR SHOCKS	B1
SEAT	E3-4
SECONDARY SHEAVE	C7
STARTER PULLEY	E7
STARTING MOTOR	E5-6
STEERING	B6-7
TAILLIGHT	E11
TECHNICAL BULLETINS	ROW K
TRANSMISSION 1	C8-9
URNSIGNAL	E12
WINDSHIELD	D11

TECHNICAL BULLETIN

GOLF CAR DATE 11/19/86 BY G86-010

4. Also bend in the side tab as shown to the point that they almost touch the body panel.



5. Paint the modified portion with gloss black paint. Gloss Black Paint is available in a spray can from YPOI (part number PNF-00000-00-33, dealer cost \$2.95).

6. Reinstall the wheel, and tighten the lug nuts.

LUG NUT TIGHTENING TORQUE:
8.0m-kg (58 ft-lb)

PAGE 2 OF 2

NOTE: Overinflation of the tires can cause excessive tire diameter, which can increase the chance of the tire rubbing on the frame. Be sure to keep the tires at the recommended pressure.

TIRE PRESSURE:
0.8kg/cm² (12 psi)

WARRANTY PROCEDURE

The labor allowance for each unit modified is 0.2 hours, which includes reimbursement for the small amount of black paint used. To receive credit, file a standard service-per-bulletin Warranty Request using problem code 90HA.

90HA

Use proper tools and observe the label.

G3-A APPEARANCE IMPROVEMENTS - DASH DECALS

Some units in the affected range may experience problems with the edges of the woodgrain dash decals lifting. To prevent this from occurring in the future, the factory has improved the process for degreasing dash surfaces before the

decals are applied. Should a unit in the affected range show signs of decals lifting at the edges, it will be necessary to readdress the edges that are lifting.

AFFECTED UNITS

G3-A J42-000024 ~ 001499

PROCEDURE

- Use Yamaha Plug and Point Cleaner, part number ACC-11001-14-01, to degrease the area under the lifting edges.
- Once an area is degreased, use a clean rag to wipe the surfaces. Both decal and dash surfaces must be allowed to dry thoroughly.
- Carefully apply a small amount of Yamaha Quick Gasket by VHT[®], part number ACC-11001-05-01, to each edge of a decal that has lifted, and press the edges down. Make sure the edges have completely adhered to the dash at all points.
- Repeat the procedure for any other decals whose edges have lifted.

WARRANTY INFORMATION

The labor allowance for this procedure is 0.1 hours per decal. There is no job code to receive payment, file a regular Warranty Request. The problem code is 27. Write "Per Bulletin G86-010" on field 10, and enter the labor on field 11 (0.1 hrs x number of decals repaired). Also write "Per Bulletin G86-010" on fields 13, 14, and 15.

27

Use proper tools and observe the label.

SERVICE COPY	SRV MGR	MGR	MGR	MGR	INDEX
CHANCE COPY	GEN MGR	SALS	PARTS	INDEX	PAGE 1 OF 1

TECHNICAL BULLETIN

GOLF CAR DATE 11/19/86 BY G86-011

G3-A APPEARANCE IMPROVEMENTS - ARMREST PADS

Some units in the affected range may experience problems with paint peeling from the armrest pads. To prevent this condition from occurring in the future, the factory has improved the process for cleaning the armrest surfaces before paint is applied. Should any unit in the affected range show signs of paint peeling from either armrest, replacement will be necessary.

AFFECTED UNITS

G3-A J42-000024 ~ 002096

PROCEDURE

Order a new armrest pad (see PARTS INFORMATION), and install it by removing and replacing the two countersunk screws.

PARTS INFORMATION

The armrest pad part number remains the same.

DESCRIPTION	PART NUMBER	REMARKS	DEALER COST
Armrest Pad	J42-78361-00-00	Now improved	

WARRANTY INFORMATION

The labor allowance is 0.1 hours for each armrest. The problem code is 90HGL for the left side armrest pad, and 90HGR for the right side. To

receive credit, follow the standard service-per-bulletin procedure.

Left Side:

90HGL

Use proper tools and observe the label.

Right Side:

90HGR

Use proper tools and observe the label.

SERVICE COPY	SRV MGR	MGR	MGR	MGR	INDEX
CHANCE COPY	GEN MGR	SALS	PARTS	INDEX	PAGE 1 OF 1

ALL GAS-POWERED MODELS PRIMARY CLUTCH WEIGHT LINK WEAR

INTRODUCTION

PROBLEM: Some units in the affected ranges may experience premature wear of the primary clutch weight link assemblies. This usually occurs on units which accumulate high mileage, such as are used as industrial vehicles or fleet cars in high-usage areas.

CAUSE: Grease on the clutch weight links collects dirt which wears the clutch weight link bushings and pins.

REMEDY: Inspect, lubricate, and clean the area during routine maintenance. Install improved weight link kits and replace the pins if excess wear is found.

DEALER ACTION SUMMARY

- Add inspection, lubrication, and cleaning of the primary clutch to the annual service procedures.
- If any unit experiences worn primary clutch weight links, install three improved weight link kits and replace the link pins.

NOTE: Some of the common signs of worn weight links are squeaking, vibration, or rattling from the primary clutch.

- File a service-per-bulletin warranty request for any repair.

AFFECTED UNITS

G1AM J31-140101 ~ 154371
G2AM5 J38-000101 ~ 006999
G2A J38-007101 ~ 019999
J38-066101 ~ 070999

G2AB J38-020101 ~ 039489
J38-071101 ~ 072305
G3A J42-000101 ~ 002816

SERVICE PROCEDURES

PERIODIC INSPECTION

- Open the rear cowling, and remove the drive belt.
- Remove the primary clutch cap screws, and the clutch cap.
- Inspect the sliding sheave for smooth operation. Check for play between the pivot pins and weight link assemblies.

If the pins and weight link assemblies are not worn, and the sliding sheave operates smoothly, remove any dirt and old grease, and apply two to three shots of molybdenum disulfide grease to the grease fitting to lubricate the shaft. Remove any excess grease from the clutch and reassemble the unit. Greasing should be done only with clutch cap removed.



(For additional information see reverse side)

PAGE 1 OF 1

CONTENTS

ACCELERATOR	C4
AIR FILTER	A7-8
AIR SHROUD FAN	A4
ALTERNATE	F4-5
BODY 1	D1-3
BODY 2	D4-6
BODY FITTING	D7-9
BRAKE 1	B11-12, C1
BRAKE 2	C2-3
BUMPER	C11-12
CARBURETOR	A9
CARRIER	D12, E1-2
CRANKCASE	A12
CRANKSHAFT PISTON	A3
CYLINDER	A2
ELECTRICAL 1	F1-2
ELECTRICAL 2	F3
EXHAUST	A10-11
FRAME	B2
FRONT SUSPENSION WHEEL	B3-5
FUEL TANK	B9-10
GOVERNOR	C5
HEADLIGHT	E10
INSTRUMENT PANEL	D10
MAGNETO	E8-9
OIL PUMP	A5
OIL TANK	B8
PRIMARY SHEAVE	C6
PUMP DRIVE GEAR	A6
REAR AXLE WHEEL	C10
REAR SHOCKS	B1
SEAT	E3-4
SECONDARY SHEAVE	C7
STARTER PULLEY	E7
STARTING MOTOR	E5-6
STEERING	B6-7
TAILLIGHT	E11
TECHNICAL BULLETINS	ROW K
TRANSMISSION 1	C8-9
URNSIGNAL	E12
WINDSHIELD	D11

TECHNICAL BULLETIN

GOLF CAR DATE 12/31/87 No. G87-008

SERVICE PROCEDURE (Cont'd.)

CAUTION

Make sure the clutch assembly is free of grease, oil, and dirt. Dirt will adhere to any grease or oil left on the clutch. This is the primary cause of premature wear of both the weight link bushings and pins, and the slider bushings.

- If any of the pins or weight link assemblies are worn, install three weight link kits and its pins.

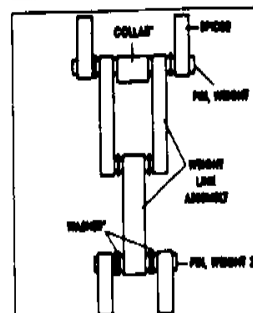
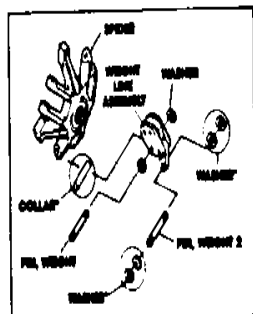
WEIGHT LINK INSTALLATION

1. Disassemble the primary clutch according to the instructions in the service manual.

2. Follow the service manual and install the new links and pins. Do not lubricate these parts.

NOTE: The link kit contains different parts that were removed during disassembly. You must use the illustration in this bulletin to make sure the new parts are installed correctly.

3. Apply molybdenum disulfide grease to the grease fitting as necessary, remove any excess, and reassemble the unit.



PARTS INFORMATION

Part Number	Description	Qty	Remarks	Dollar Cost
00000-01831-00	Weight link kit	3	For G1-A and G3-A models	\$18.00
00000-01830-00	Weight link kit	3	For G2-A models	17.55
138-46236-00-00	Pin, Weight	3	For all models	70
138-46237-00-00	Pin, Weight 2	3	For all models	70

NOTE: Make sure the correct weight link kits are ordered (these kits contain the necessary collar and washers). Order three of the correct weight link kits and three of each of the two different pins for each unit.

PAGE 2 OF 3

WARRANTY INFORMATION

There is no warranty allowance for routine maintenance which includes inspection, cleaning, and lubrication.

Labor allowance for installing the weight link kit is 0.7 hours. The problem code is 90J0. To receive credit, follow normal service-per-bulletin procedures.

90J0 0.7

ROUTE TO: SERVICE PARTS WARRANTY SALES PAGE 1 OF 3

CONTENTS

ACCELERATOR	C4
AIR FILTER	A7-8
AIR SHROUD FAN	A4
ALTERNATE	F4-5
BODY 1	D1-3
BODY 2	D4-6
BODY FITTING	D7-9
BRAKE 1	B11-12,C1
BRAKE 2	C2-3
BUMPER	C11-12
CARBURETOR	A9
CARRIER	D12 ,E1-2
CRANKCASE	A12
CRANKSHAFT PISTON	A3
CYLINDER	A2
ELECTRICAL 1	F1-2
ELECTRICAL 2	F3
EXHAUST	A10-11
FRAME	B2
FRONT SUSPENSION WHEEL	B3-5
FUEL TANK	B9-10
GOVERNOR	C5
HEADLIGHT	E10
INSTRUMENT PANEL	D10
MAGNETO	E8-9
OIL PUMP	A5
OIL TANK	B8
PRIMARY SHEAVE	C6
PUMP DRIVE GEAR	A6
REAR AXLE WHEEL	C10
REAR SHOCKS	B1
SEAT	E3-4
SECONDARY SHEAVE	C7
STARTER PULLEY	E7
STARTING MOTOR	E5-6
STEERING	B6-7
TAILLIGHT	E11
TECHNICAL BULLETINS	ROW K
TRANSMISSION 1	C8-9
URNSIGNAL	E12
WINDSHIELD	D11