

PARTS CATALOGUE

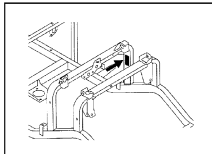
GOLF CAR

2007 DRIVE YDRE (JW21)

CONTENTS	
ALTERNATE FOR SUN ROOF	C2
ALTERNATE FOR WINDSHIELD	C1
BATTERY CHARGER	B12
BODY	B2
BODY 2	B3
BODY FITTING	B4
BUMPER	B1
CARRIER	B5
CONTROLLER 1	B9
ELECTRIC MOTOR	B7-8
ELECTRICAL 1	B10-11
FRAME	A3
FRONT SUSPENSION	A4
PEDAL ASSEMBLY	A7-8
REAR ARM SUSPENSION	A2
SEAT	B6
STEERING	A5-6
TRANSAXLE BRAKE	A9-11
WHEEL	A12

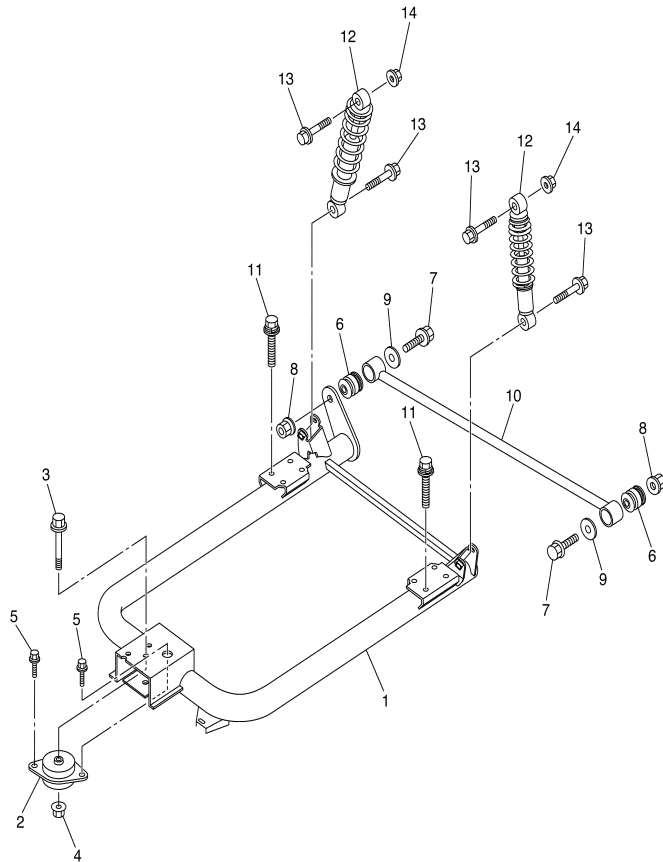
STARTING SERIAL NO. (G28E): TBA and following

Frame Serial No.



OWNERS LIT-19626-TBA
ASSEMBLY LIT-11666-TBA
SERVICE LIT-11616-TBA

REAR ARM SUSPENSION



Ref. No.	Part Number	Description	Qty	Remarks
1	JW2-F2110-00-00	REAR ARM COMP.	1	
2	JN6-F2123-10-00	BUSH 1	1	
3	90105-13864-00	BOLT, FLANGE	1	
4	90179-13878-00	NUT	1	
5	JW1-F1531-00-00	BOLT	2	
6	JN6-F2124-10-00	BUSH 2	2	
7	95817-12065-00	BOLT, FLANGE	2	
8	95607-12200-00	NUT, SELF-LOCKING	2	
9	90201-128S4-00	WASHER, PLATE	2	
10	JW1-F217G-00-00	ROD, CONNECTING 2	1	
11	9751P-10650-00	BOLT, WITH WASHER	8	
12	JW1-F2210-00-00	SHOCK ABSORBER ASSY, REAR	2	
13	95817-10055-00	BOLT, FLANGE	4	
14	9560P-10200-00	NUT, FLANGE	2	

CONTENTS

ALTERNATE FOR SUN ROOF	C2
ALTERNATE FOR WINDSHIELD	C1
BATTERY CHARGER	B12
BODY	B2
BODY 2	B3
BODY FITTING	B4
BUMPER	B1
CARRIER	B5
CONTROLLER 1	B9
ELECTRIC MOTOR	B7-8
ELECTRICAL 1	B10-11
FRAME	A3
FRONT SUSPENSION	A4
PEDAL ASSEMBLY	A7-8
REAR ARM SUSPENSION	A2
SEAT	B6
STEERING	A5-6
TRANSAXLE BRAKE	A9-11
WHEEL	A12

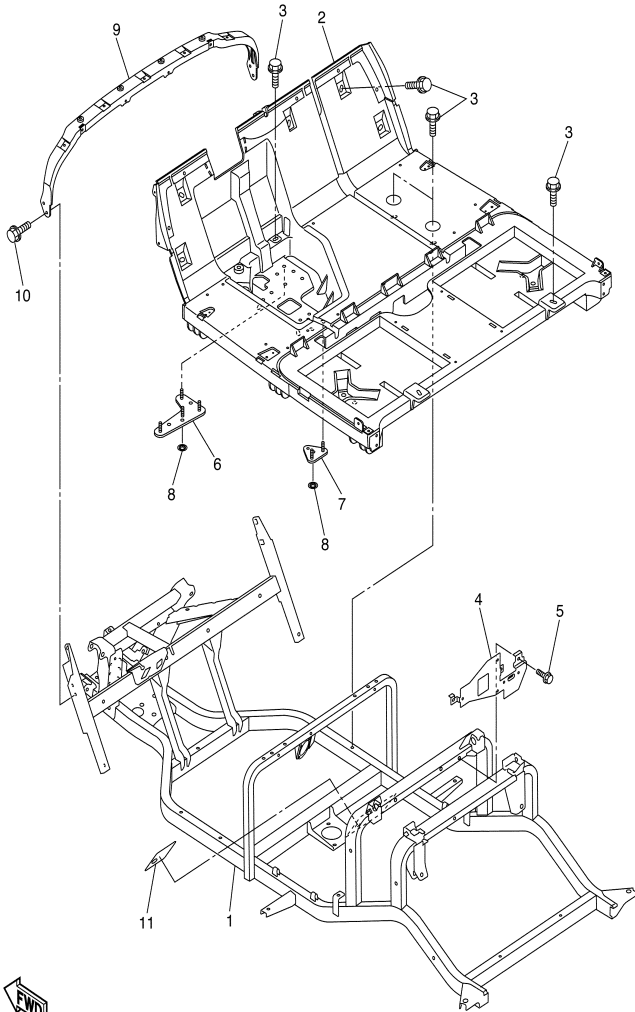


JW21100-E010

FRAME

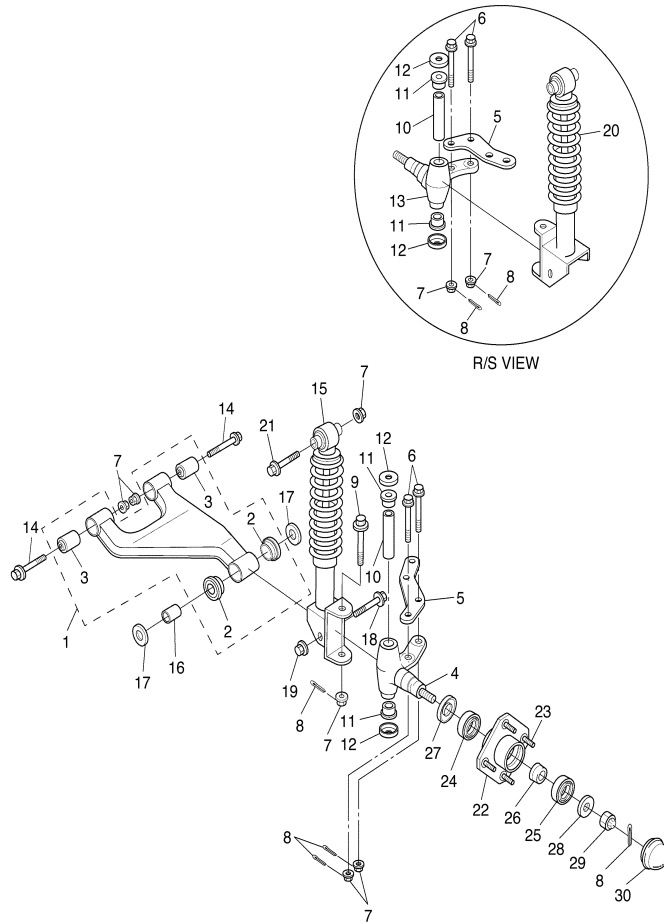
Ref. No.	Part Number	Description	Qty	Remarks
1	JW2-F2501-00-00	FRAME COMP.	1	
2	JW2-F7411-00-00	FOOTREST 1	1	
3	JW1-F1738-00-00	BOLT	12	
4	JW2-F252M-00-00	BRACKET, 3	1	
5	90105-06831-00	BOLT, FLANGE	3	
6	JW1-F2545-00-00	SUPPORT, PEDAL BRACKET .	1	
7	JW1-F2588-00-00	BRACKET, BRAKE PEDAL ...	1	
8	90183-08800-00	NUT, SPRING	2	
9	JW1-F258G-00-00	BRACKET, DASH UPPER 1 ...	1	
10	90105-06831-00	BOLT, FLANGE	4	
11	JR1-K8298-10-00	PLATE, CAUTION 2 (E,F)	1	

CONTENTS	
ALTERNATE FOR SUN ROOF	C2
ALTERNATE FOR WINDSHIELD	C1
BATTERY CHARGER	B12
BODY	B2
BODY 2	B3
BODY FITTING	B4
BUMPER	B1
CARRIER	B5
CONTROLLER 1	B9
ELECTRIC MOTOR	B7-8
ELECTRICAL 1	B10-11
FRAME	A3
FRONT SUSPENSION	A4
PEDAL ASSEMBLY	A7-8
REAR ARM SUSPENSION	A2
SEAT	B6
STEERING	A5-6
TRANSAXLE BRAKE	A9-11
WHEEL	A12



JW21100-E020

FRONT SUSPENSION



Ref. No.	Part Number	Description	Qty	Remarks
1	JU0-F3570-20-00	FRONT LOWER ARM COMP.	2	
2	90381-18001-00	. BUSH, SOLID	2	
3	2HR-23526-00-00	. BUSH	2	
4	JU0-F3511-00-00	KNUCKLE, STEERING 1	1	
5	JW1-F3512-00-00	ARM, KNUCKLE 1	2	
6	90105-10728-00	BOLT, FLANGE	4	
7	95607-10200-00	NUT, U FLANGE	12	
8	91490-25020-00	PIN, COTTER	8	
9	90105-10064-00	BOLT, FLANGE	2	
10	2NL-23448-00-00	SPACER	2	
11	90381-17067-00	BUSH, SOLID	4	
12	3JN-23517-00-00	COVER, THRUST 1	4	
13	JU0-F3521-00-00	KNUCKLE, STEERING 2	1	
14	90105-10890-00	BOLT, FLANGE	4	
15	JW1-F3350-00-00	SHOCK ABSORBER ASSY	1	
16	90387-12016-00	COLLAR	2	
17	401-22128-01-00	COVER, THRUST 1	4	
18	95817-12080-00	BOLT, FLANGE	2	
19	9561P-12100-00	NUT	2	
20	JW1-F3390-00-00	SHOCK ABSORBER ASSY 2	1	
21	95817-10065-00	BOLT, FLANGE	2	
22	JG5-WF511-10-00	HUB, FRONT	2	
23	90114-12800-00	BOLT, SERRATION	8	
24	93306-204X0-00	BEARING	2	
25	93306-005Y3-00	BEARING	2	
26	90387-241M7-00	COLLAR	2	
27	93102-30083-00	OIL SEAL	2	
28	90209-32832-00	WASHER	2	
29	95617-14100-00	NUT, U	2	
30	JN6-F5118-00-00	COVER, HUB DUST	2	

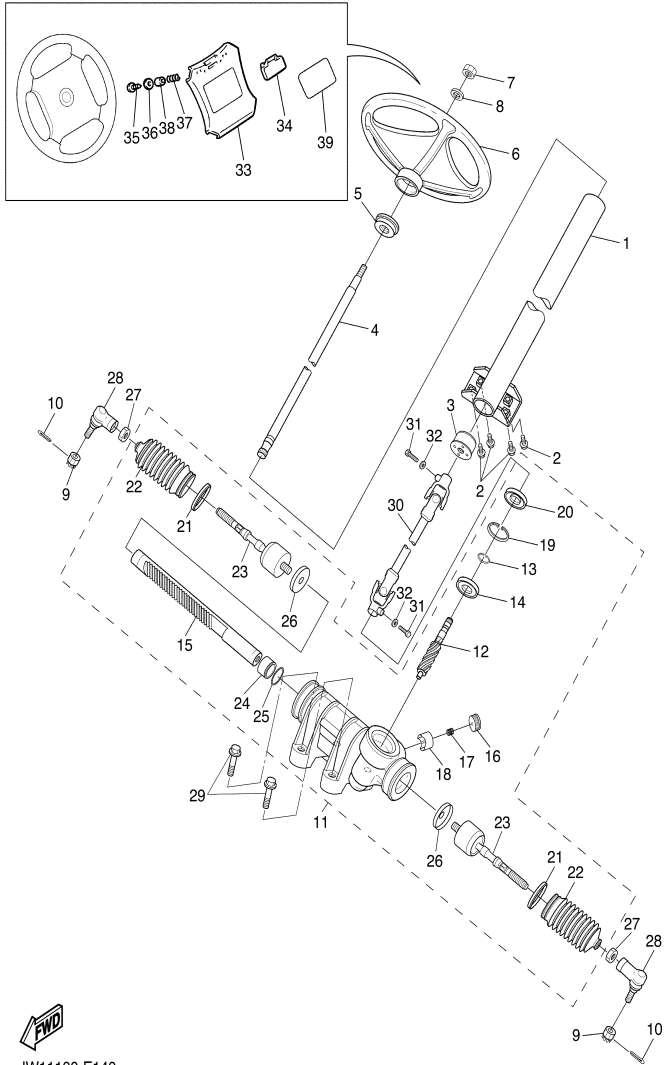
CONTENTS

ALTERNATE FOR SUN ROOF	C2
ALTERNATE FOR WINDSHIELD	C1
BATTERY CHARGER	B12
BODY	B2
BODY 2	B3
BODY FITTING	B4
BUMPER	B1
CARRIER	B5
CONTROLLER 1	B9
ELECTRIC MOTOR	B7-8
ELECTRICAL 1	B10-11
FRAME	A3
FRONT SUSPENSION	A4
PEDAL ASSEMBLY	A7-8
REAR ARM SUSPENSION	A2
SEAT	B6
STEERING	A5-6
TRANSAXLE BRAKE	A9-11
WHEEL	A12



JW11100-E130

STEERING



Ref. No.	Part Number	Description	Qty	Remarks
1	JW1-F3811-00-00	COLUMN, STEERING	1	
2	9581P-08016-00	BOLT, FLANGE	4	
3	JU0-F3857-10-00	HOLDER	1	
4	JU0-F3828-00-00	ROD, STEERING	1	
5	JN3-F3814-00-00	HOLDER, HANDLE UPPER	1	
6	JN3-F3838-00-00	WHEEL, STEERING	1	
7	95617-12100-00	NUT, SELF-LOCKING	1	
8	9290P-12200-00	WASHER	1	
9	95607-12200-00	NUT, SELF-LOCKING	2	
10	91490-25020-00	PIN, COTTER	2	
11	JW1-F3400-00-00	STEERING ASSY	1	
12	JW1-F387A-00-00	. GEAR, PINION	1	
13	JW1-F3183-00-00	. CIRCLIP	1	
14	JW1-F339Y-00-00	. BEARING	1	
15	JW1-F387E-00-00	. GEAR, RACK	1	
16	5UG-F387G-00-00	. COVER, ADJUST	1	
17	5UG-F387K-00-00	. SPRING, PRESSURE	1	
18	5UG-F387F-00-00	. PAD, PRESSURE	1	
19	5UG-F387J-00-00	. RING, STOPPER	1	
20	5UG-F3844-00-00	. SEAL	1	
21	5UG-F3489-00-00	. BAND	2	
22	5UG-F3527-00-00	. SEAL, DUST 1	2	
23	JW1-F3837-00-00	. ROD, TIE 2	2	
24	JW1-F467K-00-00	. BUSH, CAP	1	
25	JW1-F3866-00-00	. RING, SNAP	1	
26	JW1-F3894-00-00	. WASHER, LOCK 1	2	
27	4XE-F3833-00-00	NUT 1	2	
28	JU0-F3841-00-00	JOINT, UNIVERSAL 1	2	
29	90105-10810-00	BOLT, FLANGE	4	
30	JW1-F3822-00-00	JOINT 1	1	

CONTENTS

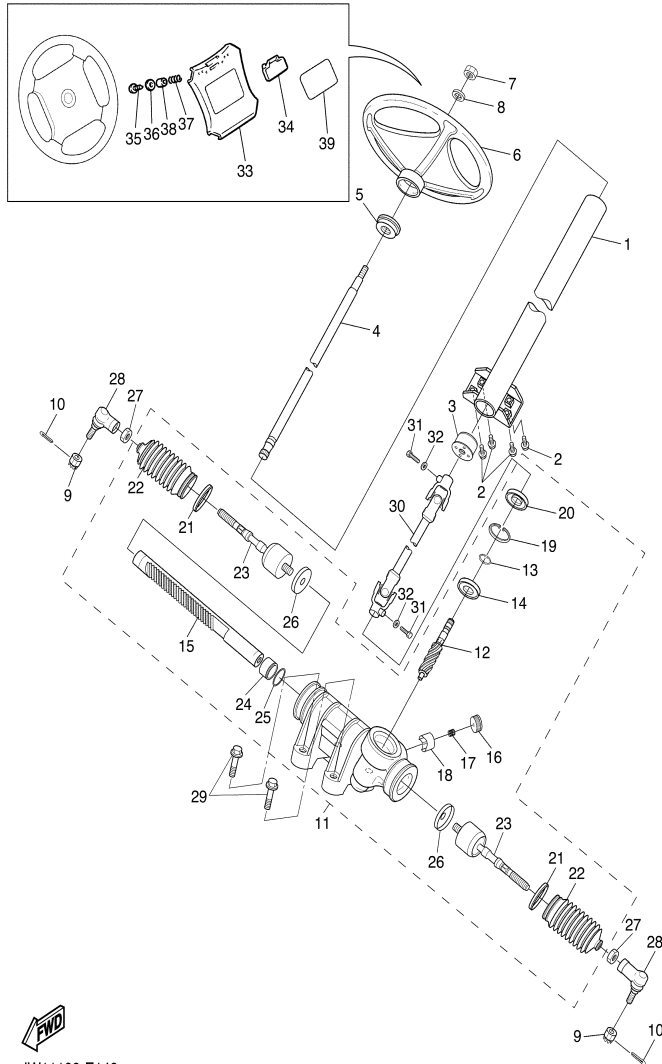
ALTERNATE FOR SUN ROOF	C2
ALTERNATE FOR WINDSHIELD	C1
BATTERY CHARGER	B12
BODY	B2
BODY 2	B3
BODY FITTING	B4
BUMPER	B1
CARRIER	B5
CONTROLLER 1	B9
ELECTRIC MOTOR	B7-8
ELECTRICAL 1	B10-11
FRAME	A3
FRONT SUSPENSION	A4
PEDAL ASSEMBLY	A7-8
REAR ARM SUSPENSION	A2
SEAT	B6
STEERING	A5-6
TRANSAXLE BRAKE	A9-11
WHEEL	A12

CONTINUED ON NEXT FRAME ➔



JW11100-E140

STEERING



Ref. No.	Part Number	Description	Qty	Remarks
31	97017-08030-00	BOLT	2	
32	92907-08600-00	WASHER, PLATE	2	
33	JN3-K8357-00-00	HOLDER 1	1	
34	JN6-K8358-01-00	HOLDER 2	1	
35	97707-40625-00	SCREW, TAPPING	2	
36	90201-044H9-00	WASHER, PLATE	2	
37	90502-10013-00	SPRING, CONICAL	2	
38	90387-046N7-00	COLLAR	2	
39	JU0-K7762-00-00	LABEL, WARNING 2 (E)	1	
	JU2-K7458-00-00	LABEL, WARNING(OVER 15MPH REG)	1	AP FOR OP.KIT

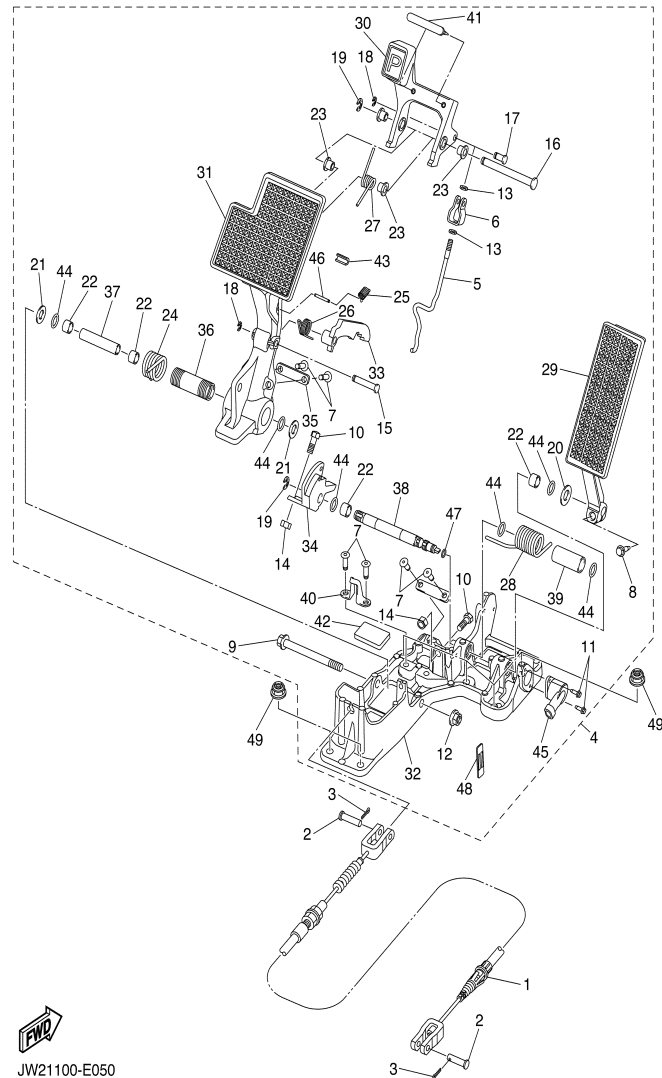
CONTENTS

ALTERNATE FOR SUN ROOF	C2
ALTERNATE FOR WINDSHIELD	C1
BATTERY CHARGER	B12
BODY	B2
BODY 2	B3
BODY FITTING	B4
BUMPER	B1
CARRIER	B5
CONTROLLER 1	B9
ELECTRIC MOTOR	B7-8
ELECTRICAL 1	B10-11
FRAME	A3
FRONT SUSPENSION	A4
PEDAL ASSEMBLY	A7-8
REAR ARM SUSPENSION	A2
SEAT	B6
STEERING	A5-6
TRANSAXLE BRAKE	A9-11
WHEEL	A12



JW11100-E140

PEDAL ASSEMBLY




JW21100-E050

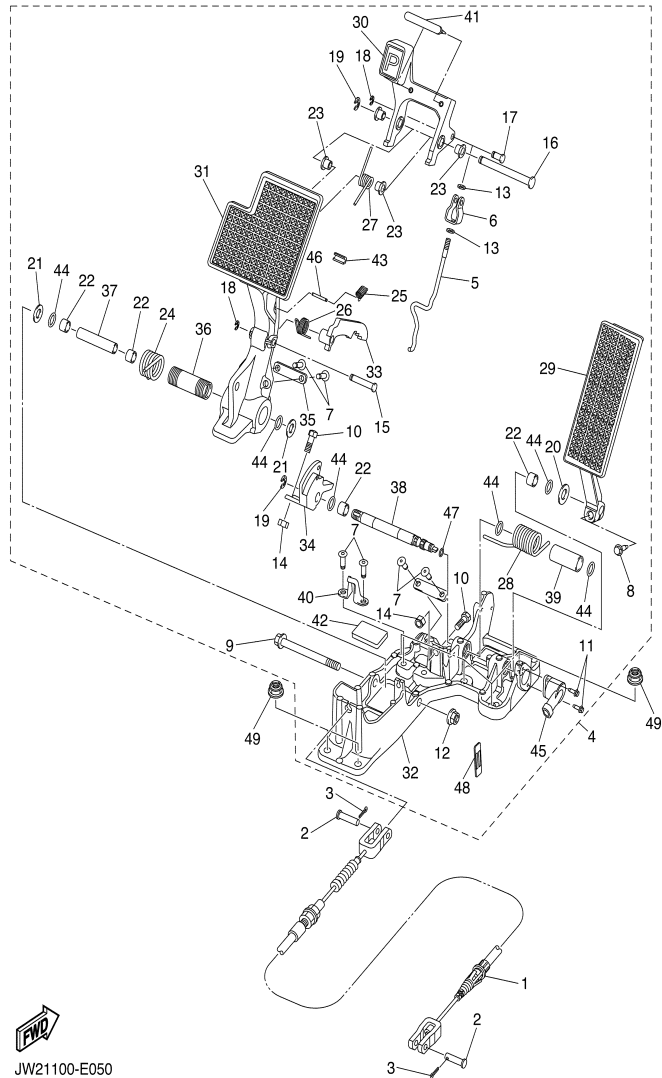
Ref. No.	Part Number	Description	Qty	Remarks
1	JW2-F6341-00-00	WIRE, BRAKE 1	1	
2	91701-10028-00	PIN, CLEVIS	2	
3	91490-30020-00	PIN, COTTER	2	
4	JW2-F7850-00-00	PEDAL ASSY (L.H)	1	
5	JW1-F720G-00-00	PUSH ROD ASSY	1	
6	JW1-F7232-00-00	END, ROD 2	1	
7	JW1-F1128-00-00	RIVET	6	
8	JW1-F7117-00-00	BOLT, MAIN STAND	1	
9	JW1-F7217-00-00	BOLT	1	
10	JW1-F7227-00-00	BOLT, AJUSTING	2	
11	JW2-F7317-00-00	BOLT	2	
12	JW1-F7218-00-00	NUT	1	
13	JW1-F7855-00-00	NUT, RING	2	
14	JW1-F7238-00-00	NUT, ADJUSTING	2	
15	JW1-F5734-00-00	PIN 1	1	
16	JW1-F5744-00-00	PIN 2	1	
17	JW1-F5754-00-00	PIN 3	1	
18	JW1-F5866-00-00	CIRCLIP	2	
19	JW1-F6466-00-00	RING, SNAP	2	
20	JW1-F723F-00-00	WASHER, SPECIAL	1	
21	JW1-F723G-00-00	WASHER, SPECIAL	2	
22	JW1-F582M-00-00	BEARING	4	
23	JW1-F339Y-00-00	BEARING	4	
24	JW1-F7825-00-00	SPRING, RETURN	1	
25	JW1-F5659-00-00	HOOK, SPRING 2	1	
26	JW1-F5658-00-00	HOOK, SPRING 1	1	
27	JW1-F7216-00-00	SPRING, RETURN	1	
28	JW1-F5735-00-00	SPRING, RETURN 1	1	
29	JW1-F7871-00-00	PEDAL, ACCELERATOR	1	
30	JW1-F7252-00-00	LEVER, BRAKE PEDAL	1	

CONTENTS

ALTERNATE FOR SUN ROOF	C2
ALTERNATE FOR WINDSHIELD	C1
BATTERY CHARGER	B12
BODY	B2
BODY 2	B3
BODY FITTING	B4
BUMPER	B1
CARRIER	B5
CONTROLLER 1	B9
ELECTRIC MOTOR	B7-8
ELECTRICAL 1	B10-11
FRAME	A3
FRONT SUSPENSION	A4
PEDAL ASSEMBLY	A7-8
REAR ARM SUSPENSION	A2
SEAT	B6
STEERING	A5-6
TRANSAXLE BRAKE	A9-11
WHEEL	A12

CONTINUED ON NEXT FRAME ➤

PEDAL ASSEMBLY



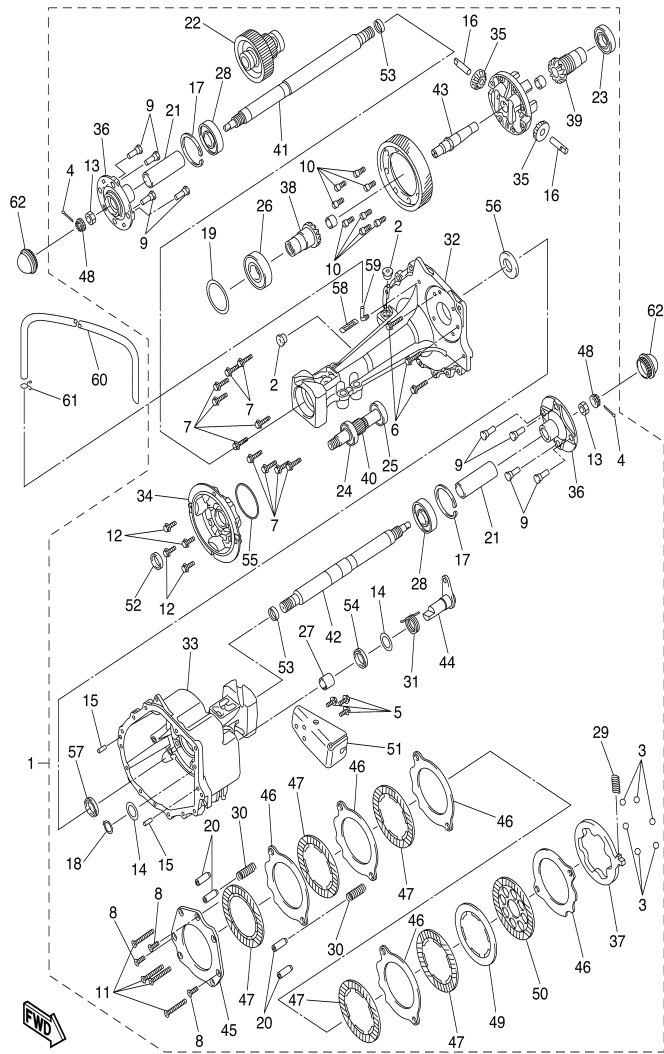
JW21100-E050

Ref. No.	Part Number	Description	Qty	Remarks
31	JW1-F7211-00-00	. PEDAL, BRAKE	1	
32	JW1-F785A-00-00	. PEDAL SET	1	
33	JW1-F5666-00-00	. SECTOR, PARKING BRAKE	1	
34	JW1-F7249-00-00	. PEDAL, LOCK	1	
35	JW1-F7275-00-00	. PLATE	2	
36	JW1-F7243-00-00	. BOSS, BRAKE PEDAL	1	
37	JW1-F7213-00-00	. COLLAR	1	
38	JW1-F7853-00-00	. SHAFT, PEDAL 1	1	
39	JW1-F7814-00-00	. BUSH, PEDAL	1	
40	JW1-F7254-00-00	. HOOK	1	
41	JW1-F5672-00-00	. PAD, PARKING PEDAL	1	
42	JW1-F7257-00-00	. PAD, BRAKE	1	
43	JW1-F5673-00-00	. DAMPER, BRAKE	1	
44	JW1-F3147-00-00	. O-RING	6	
45	JW2-H5885-00-00	. THROTTLE SENSOR ASSY	1	
46	JW1-F5677-00-00	. PIN, HOLD 1	1	
47	JW1-F3188-00-00	. O-RING	1	
48	JW2-F118L-00-00	. LABEL, BRAKE	1	
49	9560P-08200-00	. NUT	6	

CONTENTS

ALTERNATE FOR SUN ROOF	C2
ALTERNATE FOR WINDSHIELD	C1
BATTERY CHARGER	B12
BODY	B2
BODY 2	B3
BODY FITTING	B4
BUMPER	B1
CARRIER	B5
CONTROLLER 1	B9
ELECTRIC MOTOR	B7-8
ELECTRICAL 1	B10-11
FRAME	A3
FRONT SUSPENSION	A4
PEDAL ASSEMBLY	A7-8
REAR ARM SUSPENSION	A2
SEAT	B6
STEERING	A5-6
TRANSAXLE BRAKE	A9-11
WHEEL	A12

TRANSAXLE BRAKE



JW21100-E060

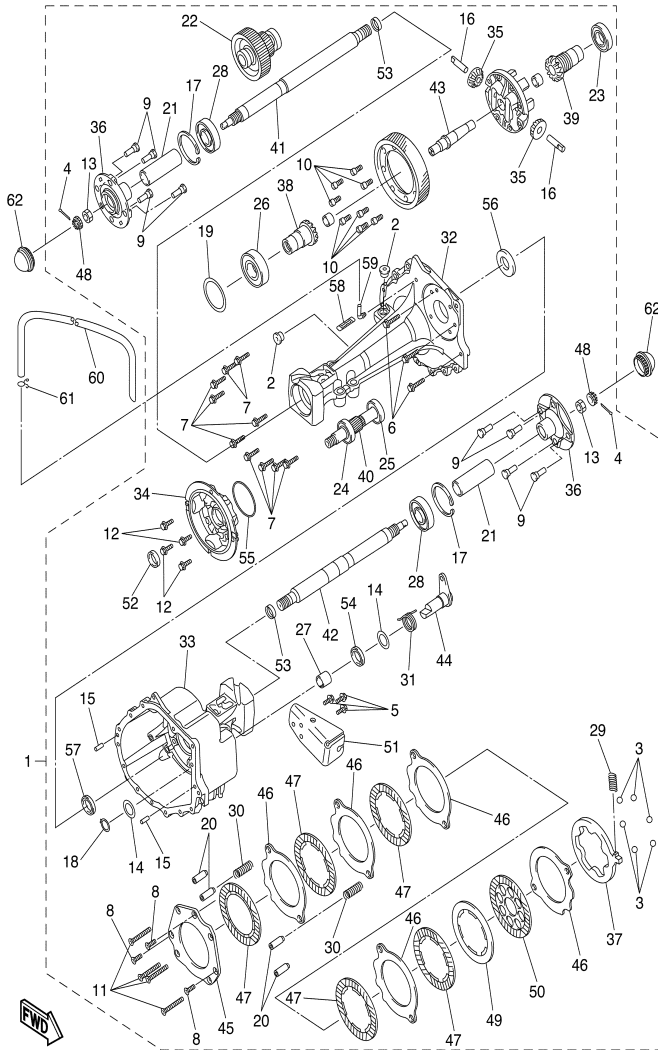
Ref. No.	Part Number	Description	Qty	Remarks
1	JW2-G6300-00-00	TRANS AXLE ASSY	1	
2	JW1-G6168-00-00	. PLUG, DRAIN 1	2	
3	JW1-F4684-00-00	. BALL	6	
4	JW1-G633J-00-00	. PIN, COTTER	2	
5	JW1-G4581-00-00	. BOLT	3	
6	JW2-G6159-00-00	. BOLT 3	4	
7	JW1-G4582-00-00	. BOLT, 2	10	
8	JW1-G4189-00-00	. SCREW	3	
9	JW1-G4178-00-00	. BOLT, STUD	8	
10	JW1-G6155-00-00	. BOLT 1	8	
11	JW1-G6158-00-00	. BOLT 2	4	
12	JW2-G4165-00-00	. SCREW, DETENT	4	
13	JW1-G4583-00-00	. NUT	2	
14	JW1-G4138-00-00	. WASHER	2	
15	JW1-F536G-00-00	. PIN	2	
16	JW1-G4184-00-00	. PIN	2	
17	JW1-G4156-00-00	. RING, SNAP	2	
18	JW1-G5239-00-00	. RING	1	
19	JW2-G6117-00-00	. SHIM, RING GEAR	1	
20	JW1-G6153-00-00	. COLLAR, GUIDE	4	
21	JW1-G6128-00-00	. SPACER, BEARING	2	
22	JW1-G6387-00-00	. BEARING, PLAIN 1	1	
23	JW2-G6164-00-00	. BEARING 1	1	
24	JW1-G6388-00-00	. BEARING, PLAIN 2	1	
25	JW2-G6165-00-00	. BEARING 2	1	
26	JW2-G6167-00-00	. BEARING 4	1	
27	JW1-G6166-00-00	. BEARING 3	1	
28	JW1-F2176-00-00	. BEARING	2	
29	JW2-G4116-00-00	. SPRING	1	
30	JW1-G4135-00-00	. SPRING	2	

CONTENTS

ALTERNATE FOR SUN ROOF	C2
ALTERNATE FOR WINDSHIELD	C1
BATTERY CHARGER	B12
BODY	B2
BODY 2	B3
BODY FITTING	B4
BUMPER	B1
CARRIER	B5
CONTROLLER 1	B9
ELECTRIC MOTOR	B7-8
ELECTRICAL 1	B10-11
FRAME	A3
FRONT SUSPENSION	A4
PEDAL ASSEMBLY	A7-8
REAR ARM SUSPENSION	A2
SEAT	B6
STEERING	A5-6
TRANSAXLE BRAKE	A9-11
WHEEL	A12

CONTINUED ON NEXT FRAME ►

TRANSAXLE BRAKE



JW21100-E060

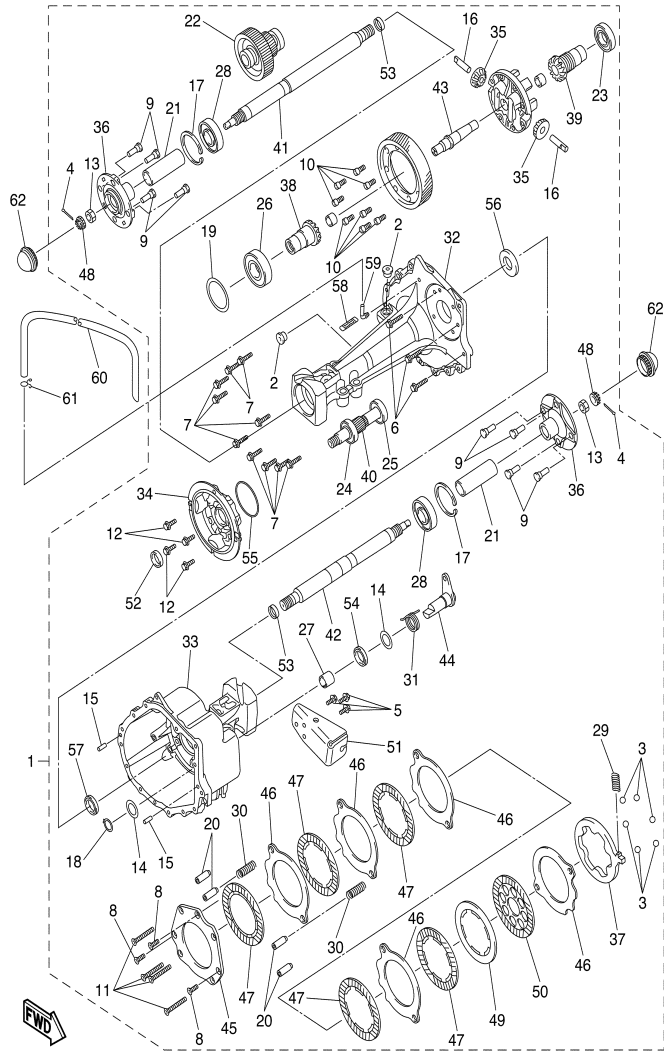
Ref. No.	Part Number	Description	Qty	Remarks
31	JW2-G6375-00-00	. SPRING, RETURN 1	1	
32	JW2-G6312-00-00	. CASE, TRANSMISSION 2	1	
33	JW2-G6311-00-00	. CASE, TRANSMISSION 1	1	
34	JW2-G6544-00-00	. FLANGE 1	1	
35	JW1-G6415-00-00	. PINION, DIFFERENTIAL	2	
36	JW1-G6542-00-00	. HUB	2	
37	JW2-F384K-00-00	. BALL, SEAT	1	
38	JW1-G6326-00-00	. GEAR, WHEEL 1	1	
39	JW1-G6327-00-00	. GEAR, WHEEL 2	1	
40	JW2-G6335-00-00	. SHAFT 1	1	
41	JW2-G6512-00-00	. SHAFT, REAR AXLE 2 (R.H)	1	
42	JW2-G6511-00-00	. SHAFT, REAR AXLE 1 (L.H)	1	
43	JW1-G6112-00-00	. SHAFT, RING GEAR	1	
44	JW2-G633G-00-00	. SHAFT	1	
45	JW2-G6114-00-00	. PLATE, COVER	1	
46	JW1-G633H-00-00	. PLATE 2	5	
47	JW1-G6336-00-00	. PLATE 1	5	
48	JW1-G4127-00-00	. NUT, 1	2	
49	JW1-G4526-00-00	. PLATE	1	
50	JW1-G6345-00-00	. DISC, FRICTION	1	
51	JW2-G6555-00-00	. BRACKET 2	1	
52	JW2-G6163-00-00	. SEAL,OIL 1	1	
53	JW1-G5874-00-00	. RING, SEAL	2	
54	JW1-G6137-00-00	. SEAL 2	1	
55	JW2-G6134-00-00	. O-RING 1	1	
56	JW1-F16A2-00-00	. SEAL, 2	1	
57	JW1-F16A3-00-00	. SEAL, 3	1	
58	JW2-G5161-00-00	. MARK, UPR. CASING 1	1	
59	JW1-G4391-00-00	. NIPPLE, HOSE	1	
60	90445-11032-00	. HOSE	1	

CONTENTS

ALTERNATE FOR SUN ROOF	C2
ALTERNATE FOR WINDSHIELD	C1
BATTERY CHARGER	B12
BODY	B2
BODY 2	B3
BODY FITTING	B4
BUMPER	B1
CARRIER	B5
CONTROLLER 1	B9
ELECTRIC MOTOR	B7-8
ELECTRICAL 1	B10-11
FRAME	A3
FRONT SUSPENSION	A4
PEDAL ASSEMBLY	A7-8
REAR ARM SUSPENSION	A2
SEAT	B6
STEERING	A5-6
TRANSAXLE BRAKE	A9-11
WHEEL	A12

CONTINUED ON NEXT FRAME ➔

TRANSAXLE BRAKE



JW21100-E060

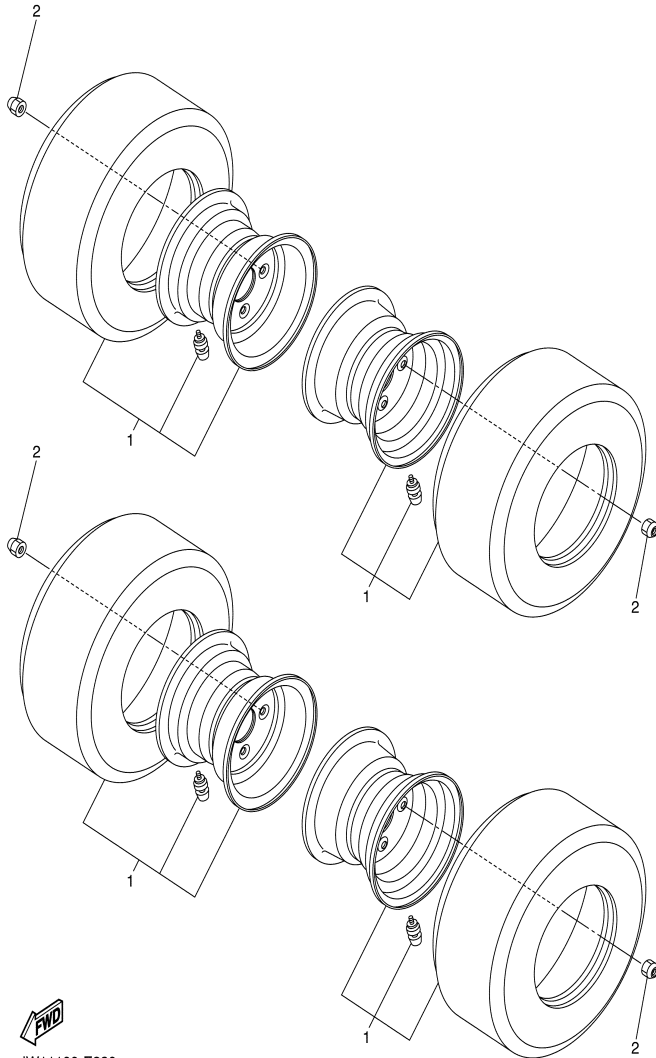
Ref. No.	Part Number	Description	Qty	Remarks
61	90467-10008-00	CLIP	1	
62	JN6-F5118-00-00	COVER, HUB DUST	2	

CONTENTS

ALTERNATE FOR SUN ROOF	C2
ALTERNATE FOR WINDSHIELD	C1
BATTERY CHARGER	B12
BODY	B2
BODY 2	B3
BODY FITTING	B4
BUMPER	B1
CARRIER	B5
CONTROLLER 1	B9
ELECTRIC MOTOR	B7-8
ELECTRICAL 1	B10-11
FRAME	A3
FRONT SUSPENSION	A4
PEDAL ASSEMBLY	A7-8
REAR ARM SUSPENSION	A2
SEAT	B6
STEERING	A5-6
TRANSAXLE BRAKE	A9-11
WHEEL	A12

WHEEL

Ref. No.	Part Number	Description	Qty	Remarks
1	JW1-F5100-00-00	WHEEL ASSY	4	
2	90179-12262-00	NUT	16	



JW11100-E220

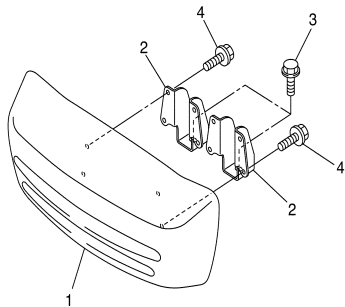
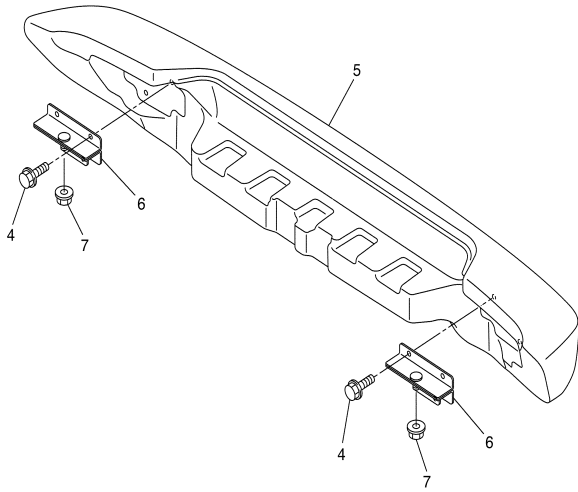
CONTENTS

ALTERNATE FOR SUN ROOF	C2
ALTERNATE FOR WINDSHIELD	C1
BATTERY CHARGER	B12
BODY	B2
BODY 2	B3
BODY FITTING	B4
BUMPER	B1
CARRIER	B5
CONTROLLER 1	B9
ELECTRIC MOTOR	B7-8
ELECTRICAL 1	B10-11
FRAME	A3
FRONT SUSPENSION	A4
PEDAL ASSEMBLY	A7-8
REAR ARM SUSPENSION	A2
SEAT	B6
STEERING	A5-6
TRANSAXLE BRAKE	A9-11
WHEEL	A12

BUMPER

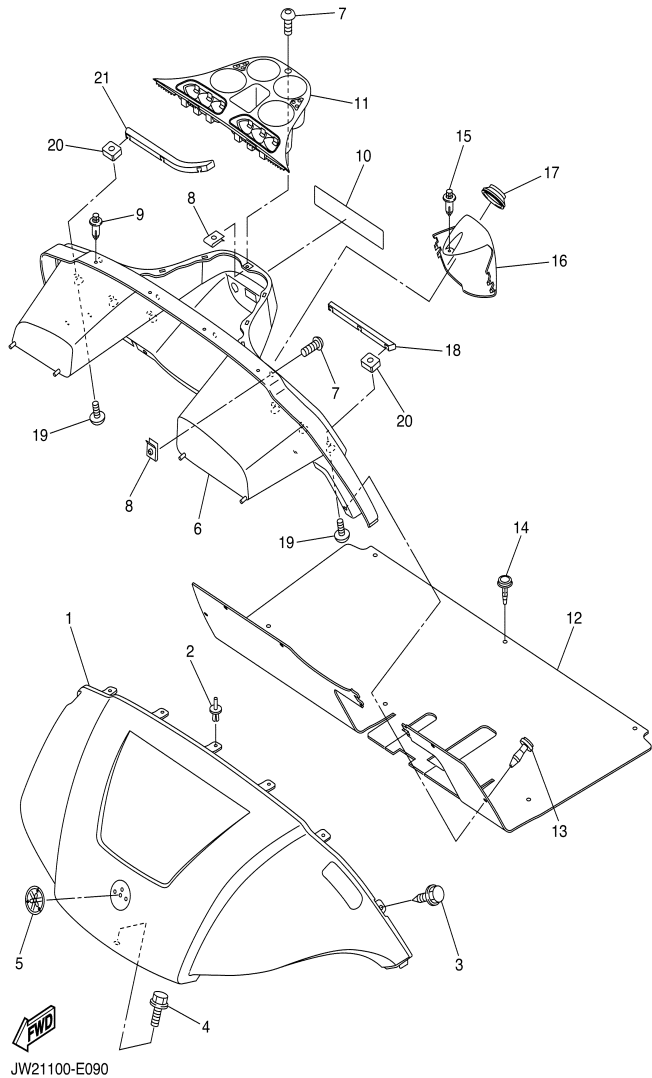
Ref. No.	Part Number	Description	Qty	Remarks
1	JW1-K7510-00-00	FRONT BUMPER COMP.	1	
2	JW1-K8164-00-00	STAY, FRONT BUMPER (L.H)	2	
3	90105-08878-00	BOLT, FLANGE	2	
4	9502P-06008-00	BOLT, FLANGE	8	
5	JW1-K7540-00-00	REAR BUMPER COMP.	1	
6	JW1-K8174-00-00	STAY, REAR BUMPER	2	
7	9560P-10200-00	NUT, FLANGE	2	

CONTENTS	
ALTERNATE FOR SUN ROOF	C2
ALTERNATE FOR WINDSHIELD	C1
BATTERY CHARGER	B12
BODY	B2
BODY 2	B3
BODY FITTING	B4
BUMPER	B1
CARRIER	B5
CONTROLLER 1	B9
ELECTRIC MOTOR	B7-8
ELECTRICAL 1	B10-11
FRAME	A3
FRONT SUSPENSION	A4
PEDAL ASSEMBLY	A7-8
REAR ARM SUSPENSION	A2
SEAT	B6
STEERING	A5-6
TRANSAXLE BRAKE	A9-11
WHEEL	A12



JW11100-E230

BODY

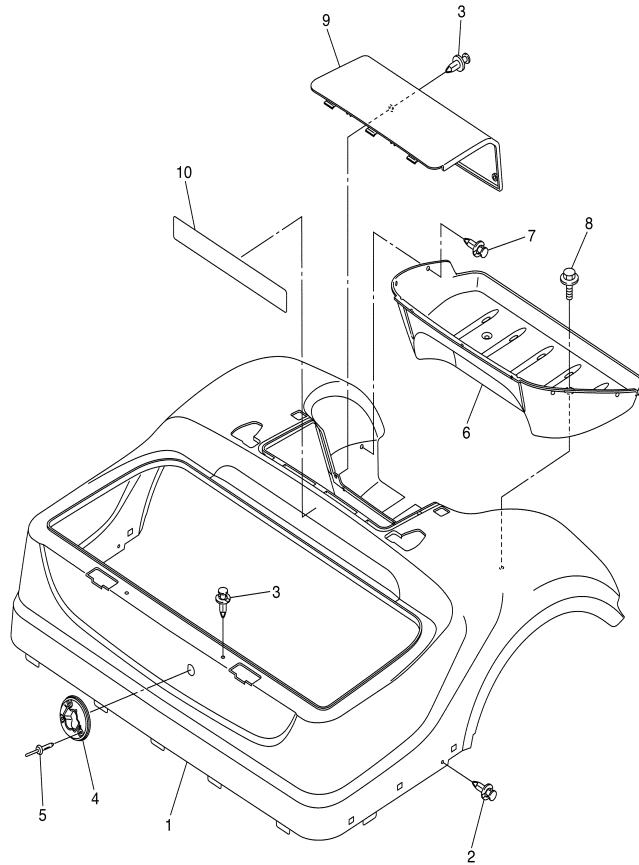


Ref. No.	Part Number	Description	Qty	Remarks
1	JW1-K8115-00-00	COWL, FRONT	1	UR FOR GLACIER
	JW1-K8115-10-00	COWL, FRONT	1	UR FOR EMERALD
	JW1-K8115-20-00	COWL, FRONT	1	UR FOR GARNET
	JW1-K8115-30-00	COWL, FRONT	1	UR FOR SANDSTONE
	JW1-K8115-40-00	COWL, FRONT	1	UR FOR ANTHRACITE
	JW1-K8115-50-00	COWL, FRONT	1	UR FOR ONYX MET.
	JW1-K8115-60-00	COWL, FRONT	1	UR FOR COBALT MET.
2	90267-63047-00	RIVET, BLIND	5	
3	JW1-F3396-00-00	SCREW, SPECIAL	2	
4	90105-06876-00	BOLT, FLANGE	1	
5	JW1-F4161-00-00	EMBLEM 1	1	
6	JW2-K8114-00-00	PANEL, FRONT	1	
7	90111-05801-00	BOLT,HEX. SOCKET BUTTON	5	
8	90183-05008-00	NUT, SPRING	5	
9	90269-07001-00	RIVET	4	
10	JW2-K7768-00-00	LABEL, WARNING (E)	1	
11	JW1-K835E-00-00	HOLDER, BEVERAGE	1	
12	JW1-K8233-10-00	MAT, MAIN FLOOR 3	1	
13	JW1-K7329-00-00	RIVET	5	
14	JW1-K7449-00-00	RIVET 1	6	
15	90269-06804-00	RIVET	1	
16	JW1-K8273-00-00	COVER, HOLE	1	
17	JW1-K8245-00-00	SEAL 1	1	
18	JW1-K8261-00-00	PLATE, BODY PROTECT 1	1	
19	90110-06102-00	BOLT, HEXAGON SOCKET HEAD	6	
20	90173-06001-00	NUT, SQUARE	6	
21	JW1-K8262-00-00	PLATE, BODY PROTECT 2	1	

CONTENTS

ALTERNATE FOR SUN ROOF	C2
ALTERNATE FOR WINDSHIELD	C1
BATTERY CHARGER	B12
BODY	B2
BODY 2	B3
BODY FITTING	B4
BUMPER	B1
CARRIER	B5
CONTROLLER 1	B9
ELECTRIC MOTOR	B7-8
ELECTRICAL 1	B10-11
FRAME	A3
FRONT SUSPENSION	A4
PEDAL ASSEMBLY	A7-8
REAR ARM SUSPENSION	A2
SEAT	B6
STEERING	A5-6
TRANSAXLE BRAKE	A9-11
WHEEL	A12

BODY 2



Ref. No.	Part Number	Description	Qty	Remarks
1	JW1-K8142-00-00	PANEL, REAR BODY	1	UR FOR GLACIER
	JW1-K8142-10-00	PANEL, REAR BODY	1	UR FOR EMERALD
	JW1-K8142-20-00	PANEL, REAR BODY	1	UR FOR GARNET
	JW1-K8142-30-00	PANEL, REAR BODY	1	UR FOR SANDSTONE
	JW1-K8142-40-00	PANEL, REAR BODY	1	UR FOR ANTHRACITE
	JW1-K8142-50-00	PANEL, REAR BODY	1	UR FOR ONYX MET.
	JW1-K8142-60-00	PANEL, REAR BODY	1	UR FOR COBALT MET.
2	90269-06804-00	RIVET	2	
3	90269-08813-00	RIVET	4	
4	JN4-K827A-00-00	GUIDE 1	1	
5	90267-60840-00	RIVET, BLIND	3	
6	JW1-K8237-00-00	COVER, REAR FLOOR	1	
7	90269-08813-00	RIVET	7	
8	90119-06868-00	BOLT, WITH WASHER	2	
9	JW1-K8151-00-00	PANEL, INSPECTION LID 1 ...	1	
10	JW2-K8297-00-00	PLATE, CAUTION 1	1	

CONTENTS

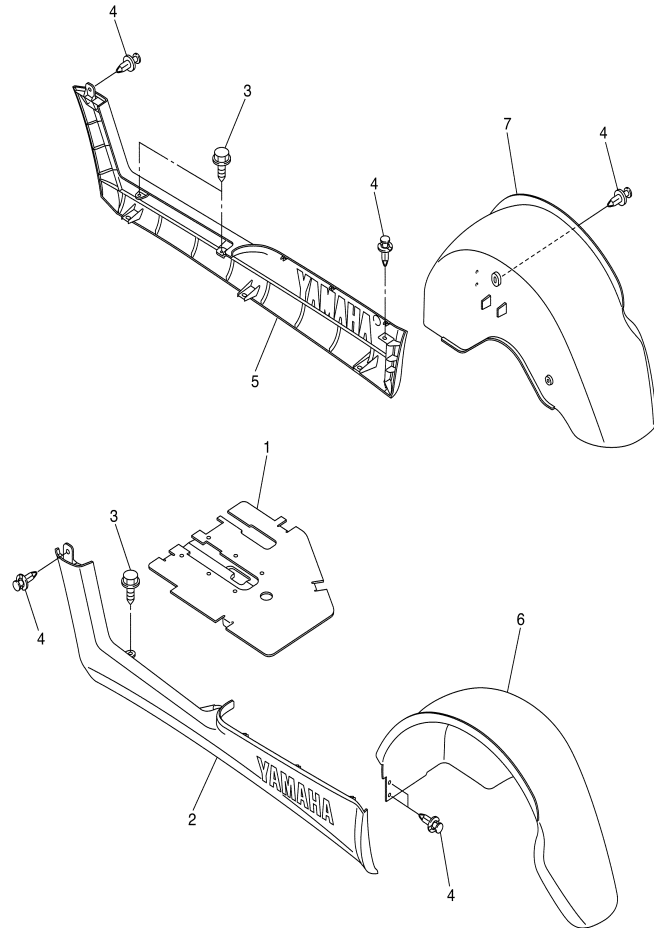
ALTERNATE FOR SUN ROOF	C2
ALTERNATE FOR WINDSHIELD	C1
BATTERY CHARGER	B12
BODY	B2
BODY 2	B3
BODY FITTING	B4
BUMPER	B1
CARRIER	B5
CONTROLLER 1	B9
ELECTRIC MOTOR	B7-8
ELECTRICAL 1	B10-11
FRAME	A3
FRONT SUSPENSION	A4
PEDAL ASSEMBLY	A7-8
REAR ARM SUSPENSION	A2
SEAT	B6
STEERING	A5-6
TRANSAXLE BRAKE	A9-11
WHEEL	A12



JW21100-E100

BODY FITTING

Ref. No.	Part Number	Description	Qty	Remarks
1	JW1-K8270-00-00	LID ASSY	1	
2	JW1-K818A-00-00	PROTECTOR, SIDE PLATE ...	1	
3	JW1-F3396-00-00	SCREW, SPECIAL	4	
4	90269-06804-00	RIVET	12	
5	JW1-K818B-00-00	PROTECTOR, SIDE PLATE 2 ..	1	
6	JW1-K8191-00-00	PANEL, REAR FENDER 1	1	
7	JW1-K8192-00-00	PANEL, REAR FENDER 2	1	



CONTENTS

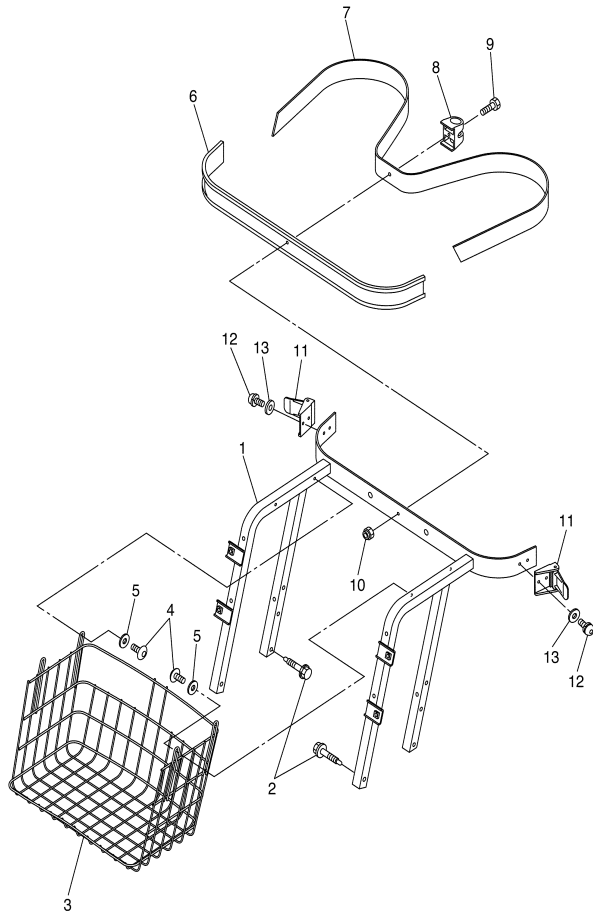
ALTERNATE FOR SUN ROOF	C2
ALTERNATE FOR WINDSHIELD	C1
BATTERY CHARGER	B12
BODY	B2
BODY 2	B3
BODY FITTING	B4
BUMPER	B1
CARRIER	B5
CONTROLLER 1	B9
ELECTRIC MOTOR	B7-8
ELECTRICAL 1	B10-11
FRAME	A3
FRONT SUSPENSION	A4
PEDAL ASSEMBLY	A7-8
REAR ARM SUSPENSION	A2
SEAT	B6
STEERING	A5-6
TRANSAXLE BRAKE	A9-11
WHEEL	A12



JW11100-E260

CARRIER

Ref. No.	Part Number	Description	Qty	Remarks
1	JW1-K8423-00-00	SUPPORT, SEAT BACK	1	
2	90109-08169-00	BOLT	4	
3	JW1-K8340-00-00	LUGGAGE RACK ASSY., REAR	1	
4	90110-06102-00	BOLT, HEXAGON SOCKET HEAD	4	
5	90201-068G7-00	WASHER, PLATE	4	
6	JF2-K8356-00-00	PAD, BAG SUPPORT	1	
7	JN6-K8355-00-00	BAND	1	
8	JW1-K834G-00-00	HOLDER, RAKE SAND	1	
9	9708R-06020-00	BOLT	1	
10	90185-06836-00	NUT, SELF-LOCKING	1	
11	JN6-K8380-00-00	LOCK ASSY	2	
12	90159-06845-00	SCREW, WITH WASHER	4	
13	9299R-06200-00	WASHER	4	



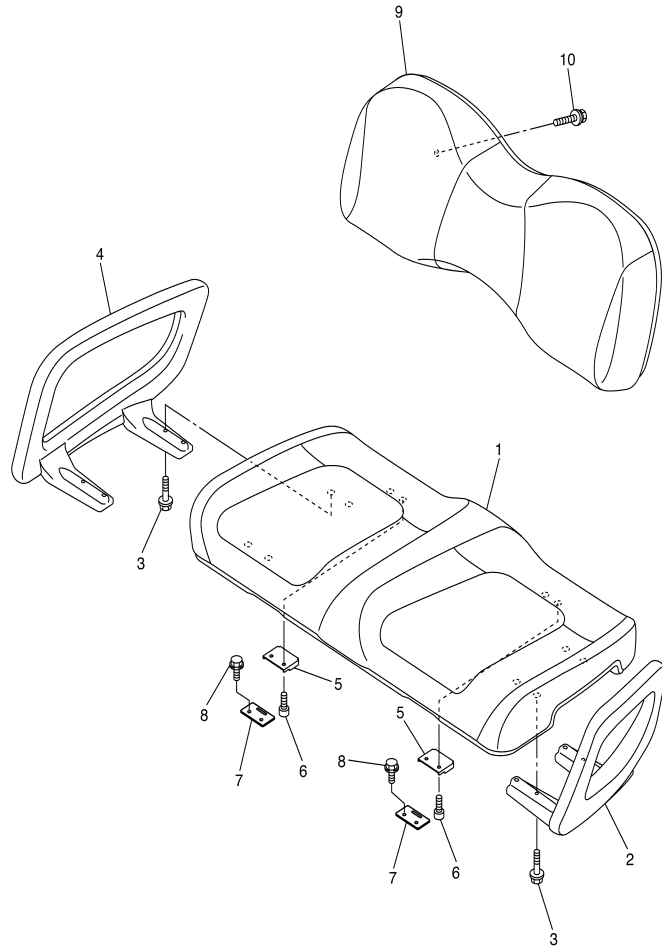
CONTENTS

ALTERNATE FOR SUN ROOF	C2
ALTERNATE FOR WINDSHIELD	C1
BATTERY CHARGER	B12
BODY	B2
BODY 2	B3
BODY FITTING	B4
BUMPER	B1
CARRIER	B5
CONTROLLER 1	B9
ELECTRIC MOTOR	B7-8
ELECTRICAL 1	B10-11
FRAME	A3
FRONT SUSPENSION	A4
PEDAL ASSEMBLY	A7-8
REAR ARM SUSPENSION	A2
SEAT	B6
STEERING	A5-6
TRANSAXLE BRAKE	A9-11
WHEEL	A12



JW11100-E270

SEAT



Ref. No.	Part Number	Description	Qty	Remarks
1	JW1-K8401-00-00	SEAT SUB-ASSY,CUSHION . . .	1	
2	JW1-K8361-00-00	ARM REST 1	1	
3	9582P-06040-00	BOLT, FLANGE	8	
4	JW1-K8362-00-00	ARM REST 2	1	
5	JW1-K8426-00-00	HINGE, SEAT 1	2	
6	90110-06041-00	BOLT, HEXAGON SOCKET HEAD	4	
7	JW1-K8427-00-00	HINGE, SEAT 2	2	
8	90105-06861-00	BOLT, FLANGE	4	
9	JW1-K8402-00-00	SEAT SUB ASSY, BACK	1	
10	90119-06808-00	BOLT, WITH WASHER	4	

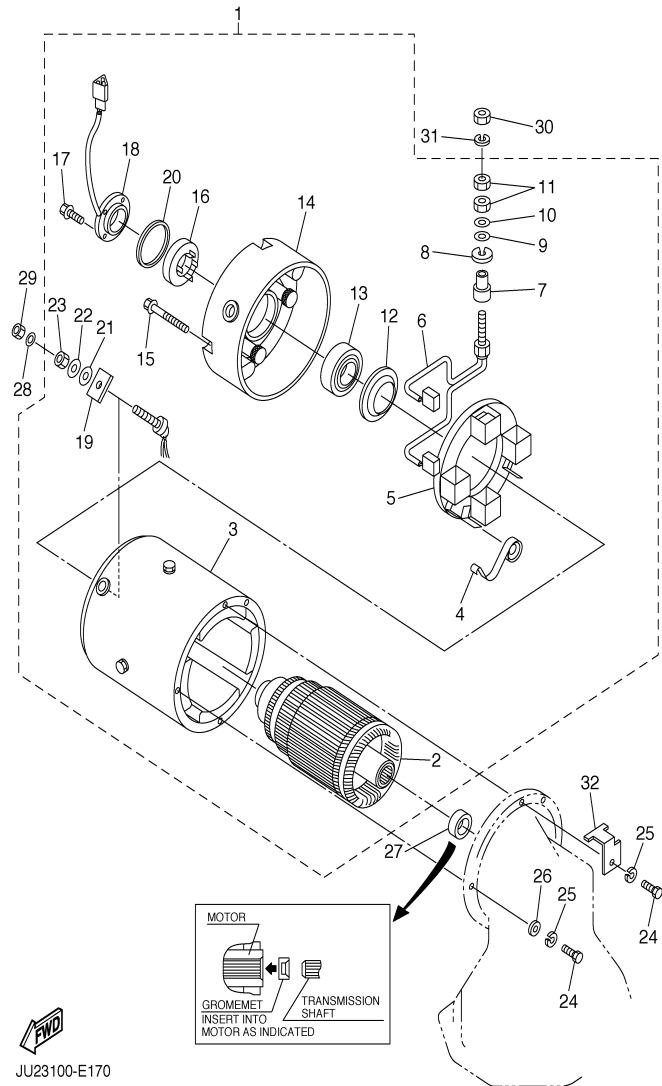
CONTENTS

ALTERNATE FOR SUN ROOF	C2
ALTERNATE FOR WINDSHIELD	C1
BATTERY CHARGER	B12
BODY	B2
BODY 2	B3
BODY FITTING	B4
BUMPER	B1
CARRIER	B5
CONTROLLER 1	B9
ELECTRIC MOTOR	B7-8
ELECTRICAL 1	B10-11
FRAME	A3
FRONT SUSPENSION	A4
PEDAL ASSEMBLY	A7-8
REAR ARM SUSPENSION	A2
SEAT	B6
STEERING	A5-6
TRANSAXLE BRAKE	A9-11
WHEEL	A12



JW11100-E280

ELECTRIC MOTOR



JU23100-E170

Ref. No.	Part Number	Description	Qty	Remarks
1	JU2-H1890-20-00	MOTOR ASSY	1	
2	JU2-H1850-20-00	ARMATURE ASSY	1	
3	JU2-H1160-20-00	FIELD COIL ASSY	1	
4	JU2-H1617-20-00	SPRING, BRUSH	4	
5	JU2-H1840-20-00	BRUSH HOLDER ASSY	1	
6	JU2-H1801-20-00	BRUSH SET	2	
7	JU2-H182G-20-00	BUSH, TERMINAL	2	
8	JU2-H1843-20-00	WASHER 1	2	
9	JU2-H1824-20-00	WASHER 2	2	
10	JU2-H181L-20-00	WASHER, PLAIN	2	
11	JU2-H182K-20-00	NUT	4	
12	JU2-H1856-20-00	BEARING	1	
13	JU2-H185B-20-00	BEARING 1	1	
14	JU2-H183J-20-00	BRACKET, FRONT	1	
15	JU2-H1828-20-00	BOLT 2	4	
16	JU2-H181K-20-00	MAGNET	1	
17	JU2-H2113-20-00	SCREW	4	
18	JU2-H1670-20-00	PICK-UP ASSY	1	
19	JU2-H272L-20-00	INSULATOR, 1	1	
20	JU2-H5722-20-00	INSULATOR	1	
21	JU2-H2517-20-00	WASHER, SPECIAL	2	
22	JU2-H332D-20-00	WASHER, SPECIAL 2	2	
23	JU2-H191B-20-00	NUT	4	
24	90101-069U0-00	BOLT	3	
25	90215-06811-00	WASHER, LOCK	3	
26	90201-068E2-00	WASHER, PLATE	2	
27	JH7-H1829-00-00	GROMMET	1	
28	JU2-H185A-20-00	WASHER, PLATE	2	
29	JU2-H182A-20-00	NUT	2	
30	JU2-H1872-20-00	NUT, SPECIAL	2	

CONTENTS

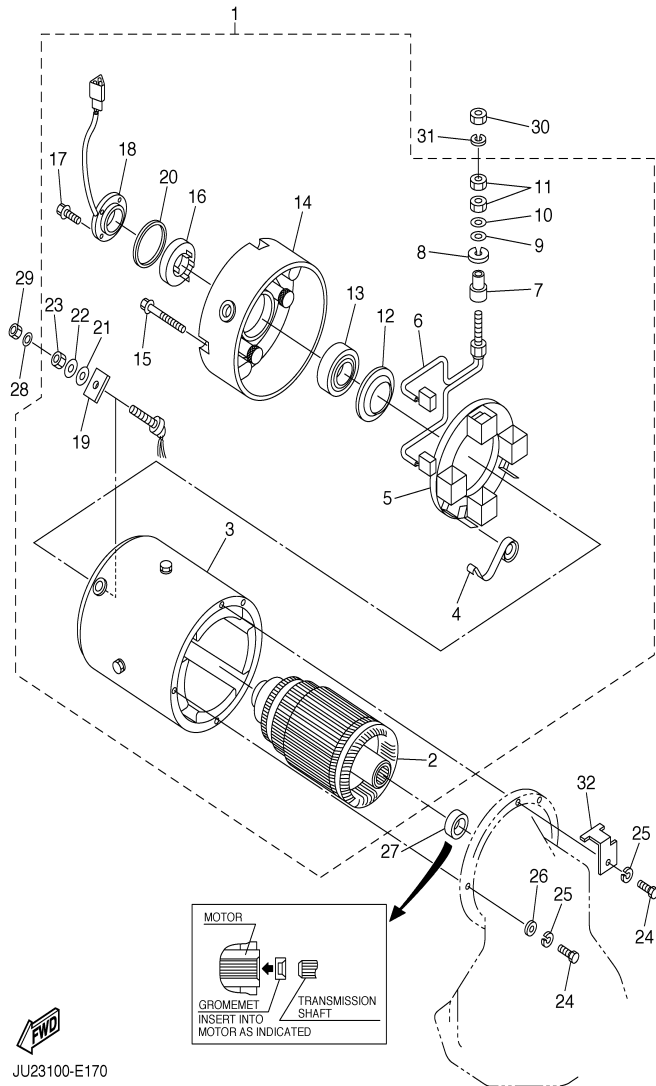
ALTERNATE FOR SUN ROOF	C2
ALTERNATE FOR WINDSHIELD	C1
BATTERY CHARGER	B12
BODY	B2
BODY 2	B3
BODY FITTING	B4
BUMPER	B1
CARRIER	B5
CONTROLLER 1	B9
ELECTRIC MOTOR	B7-8
ELECTRICAL 1	B10-11
FRAME	A3
FRONT SUSPENSION	A4
PEDAL ASSEMBLY	A7-8
REAR ARM SUSPENSION	A2
SEAT	B6
STEERING	A5-6
TRANSAXLE BRAKE	A9-11
WHEEL	A12

CONTINUED ON NEXT FRAME ➔

ELECTRIC MOTOR

Ref. No.	Part Number	Description	Qty	Remarks
31	JU2-H1835-20-00	WASHER	2	
32	MAC-M6680-00-00	DC STRAIN RELIEF	1	

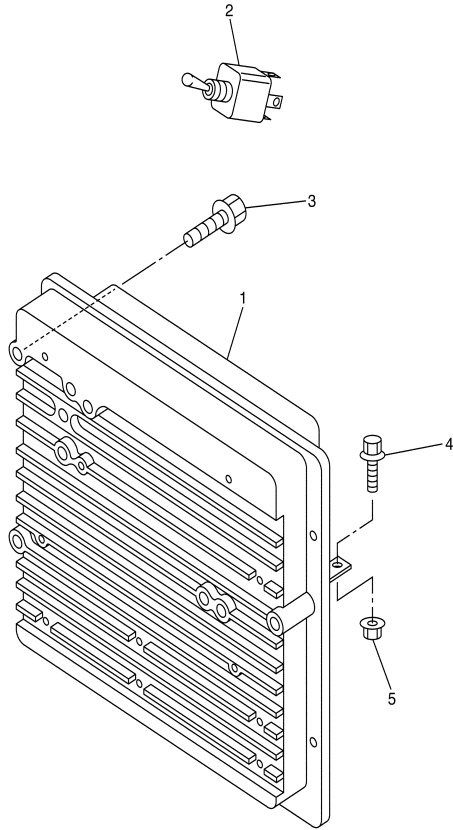
CONTENTS		
ALTERNATE FOR SUN ROOF		C2
ALTERNATE FOR WINDSHIELD		C1
BATTERY CHARGER		B12
BODY		B2
BODY 2		B3
BODY FITTING		B4
BUMPER		B1
CARRIER		B5
CONTROLLER 1		B9
ELECTRIC MOTOR		B7-8
ELECTRICAL 1		B10-11
FRAME		A3
FRONT SUSPENSION		A4
PEDAL ASSEMBLY		A7-8
REAR ARM SUSPENSION		A2
SEAT		B6
STEERING		A5-6
TRANSAXLE BRAKE		A9-11
WHEEL		A12



JU23100-E170

CONTROLLER 1

Ref. No.	Part Number	Description	Qty	Remarks
1	JW2-H6510-00-00	MOTOR CONTROL UNIT ASSY	1	
2	JU2-H2727-00-00	SWITCH	1	
3	9582P-06040-00	BOLT, FLANGE	3	
4	9582P-06016-00	BOLT, FLANGE	3	
5	9560P-06200-00	NUT, FLANGE	3	

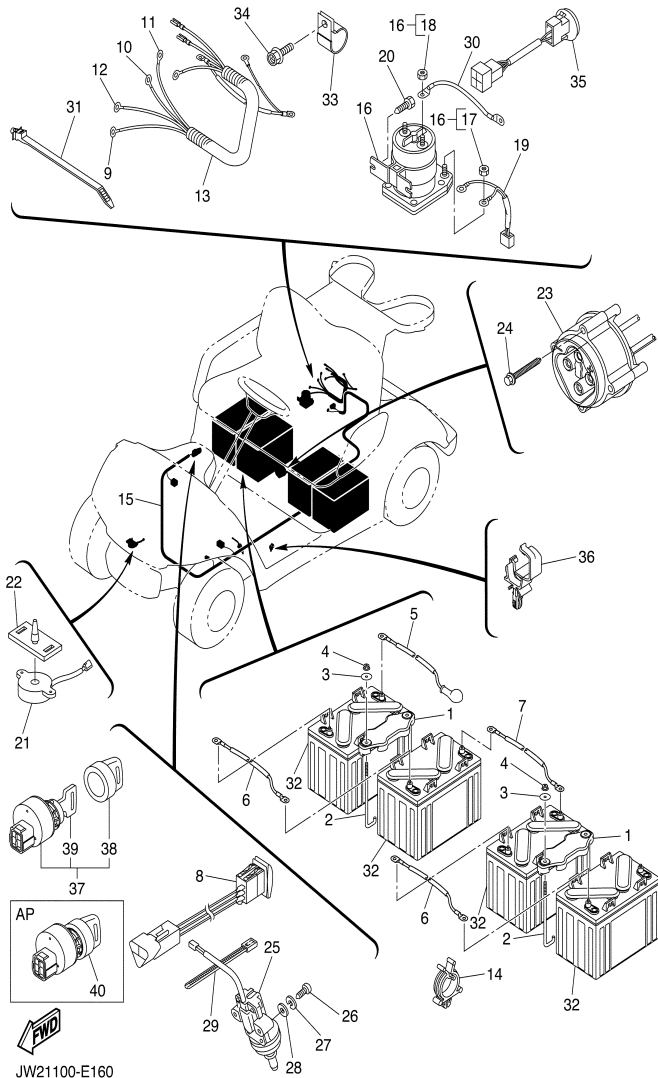


CONTENTS	
ALTERNATE FOR SUN ROOF	C2
ALTERNATE FOR WINDSHIELD	C1
BATTERY CHARGER	B12
BODY	B2
BODY 2	B3
BODY FITTING	B4
BUMPER	B1
CARRIER	B5
CONTROLLER 1	B9
ELECTRIC MOTOR	B7-8
ELECTRICAL 1	B10-11
FRAME	A3
FRONT SUSPENSION	A4
PEDAL ASSEMBLY	A7-8
REAR ARM SUSPENSION	A2
SEAT	B6
STEERING	A5-6
TRANSAXLE BRAKE	A9-11
WHEEL	A12



JW21100-E150

ELECTRICAL 1



JW21100-E160

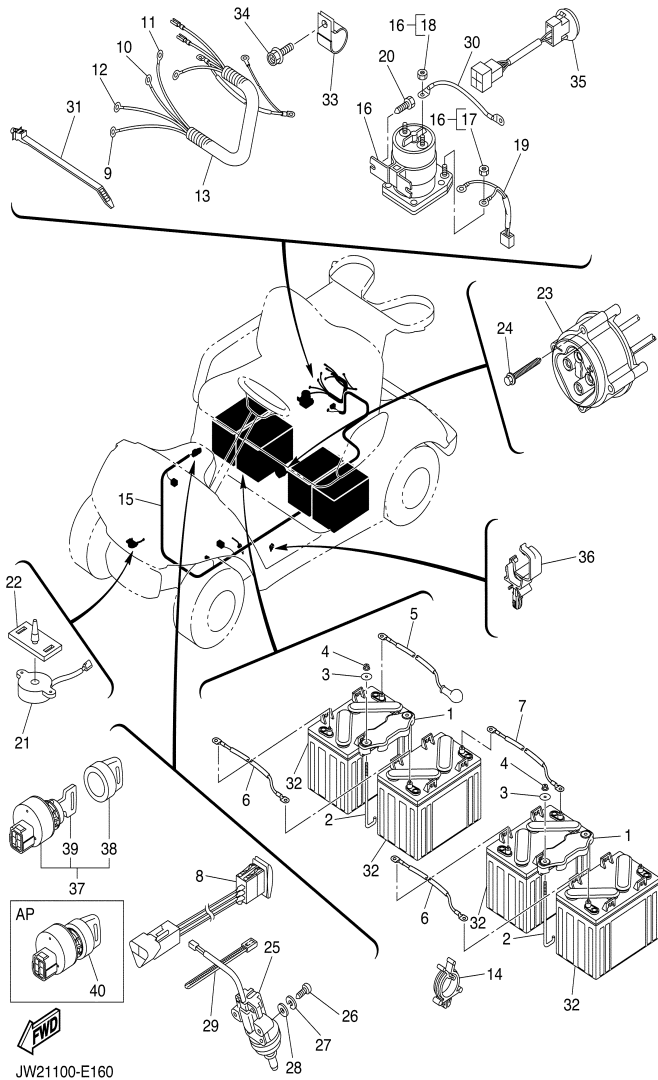
Ref. No.	Part Number	Description	Qty	Remarks
1	JW2-H2136-00-00	PLATE, BATTERY FITTING . . .	2	
2	JW2-H2133-00-00	SCREW, FITTING	4	
3	90201-08310-00	WASHER, PLATE	4	
4	95707-08500-00	NUT, FLANGE	4	
5	JW2-H2115-00-00	WIRE, PLUS LEAD	1	
6	JW2-H2127-00-00	WIRE, LEAD 2	2	
7	JW2-H2149-00-00	WIRE, LEAD 3	1	
8	JU2-H2917-00-00	SWITCH	1	
9	JU2-H2521-20-00	WIRE, LEAD	1	(F1)
10	JU2-H2531-20-00	WIRE, LEAD	1	(F2)
11	JU2-H6171-20-00	WIRE, LEAD 1	1	(A1)
12	JW2-H6172-00-00	WIRE, LEAD 2	1	(A2)
13	JU2-H7196-00-00	TUBE 1	1	
14	90464-25826-00	CLAMP	2	
15	JW2-H2590-00-00	WIRE HARNESS ASSY	1	
16	JU6-H1950-00-00	RELAY ASSY	1	
17	90179-05886-00	. NUT	2	
18	90179-08887-00	. NUT	2	
19	JN6-H2105-00-00	WIRE HARNESS	1	
20	90163-06005-00	SCREW, TAPPING	2	
21	JR1-H3383-01-00	BUZZER	1	
22	JN6-H3386-01-00	STAY, BUZZER	1	
23	JW2-H6181-00-00	RECEPTACLE	1	
24	JW2-F8382-00-00	SCREW, SPECIAL	4	
25	JF7-82817-20-00	SWITCH	1	
26	98507-05025-00	SCREW, PAN HEAD	2	
27	92907-05100-00	WASHER, SPRING	2	
28	92907-05600-00	WASHER, PLATE	2	
29	90464-40825-00	CLAMP	8	
30	JW2-H6527-00-00	WIRE 7	1	

CONTENTS

ALTERNATE FOR SUN ROOF	C2
ALTERNATE FOR WINDSHIELD	C1
BATTERY CHARGER	B12
BODY	B2
BODY 2	B3
BODY FITTING	B4
BUMPER	B1
CARRIER	B5
CONTROLLER 1	B9
ELECTRIC MOTOR	B7-8
ELECTRICAL 1	B10-11
FRAME	A3
FRONT SUSPENSION	A4
PEDAL ASSEMBLY	A7-8
REAR ARM SUSPENSION	A2
SEAT	B6
STEERING	A5-6
TRANSAXLE BRAKE	A9-11
WHEEL	A12

CONTINUED ON NEXT FRAME ➤

ELECTRICAL 1



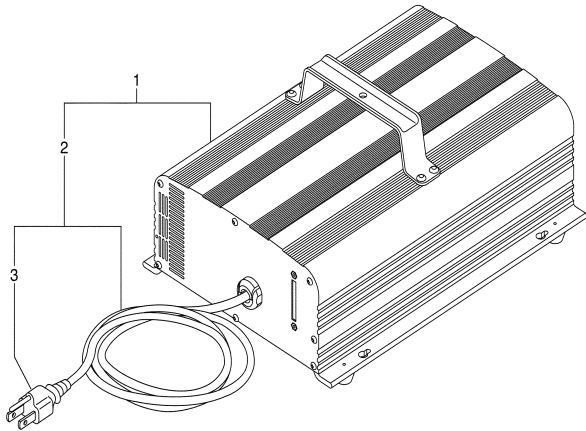
Ref. No.	Part Number	Description	Qty	Remarks
31	JW2-H2110-00-00	BATTERY, 12VOLT T-1275 ...	4	CALL PARTS DEPT
32	90464-38800-00	CLAMP	7	
33	90461-14108-00	CLAMP	1	
34	90105-08867-00	BOLT, FLANGE	1	
35	JU2-HA2F0-00-00	TRANSMITTER UNIT	1	AP
36	90464-20237-00	CLAMP	3	
37	JU2-H2510-10-00	MAIN SWITCH ASSY	1	STD
38	5UG-H2579-00-00	. CAP, KEY	1	
39	J44-82511-00-YY	. KEY, MAIN SWITCH	1	
40	JU2-H2510-20-00	MAIN SWITCH ASSY	1	AP RANDOM KEY

CONTENTS

ALTERNATE FOR SUN ROOF	C2
ALTERNATE FOR WINDSHIELD	C1
BATTERY CHARGER	B12
BODY	B2
BODY 2	B3
BODY FITTING	B4
BUMPER	B1
CARRIER	B5
CONTROLLER 1	B9
ELECTRIC MOTOR	B7-8
ELECTRICAL 1	B10-11
FRAME	A3
FRONT SUSPENSION	A4
PEDAL ASSEMBLY	A7-8
REAR ARM SUSPENSION	A2
SEAT	B6
STEERING	A5-6
TRANSAXLE BRAKE	A9-11
WHEEL	A12

BATTERY CHARGER

Ref. No.	Part Number	Description	Qty	Remarks
1	JW2-H2107-00-00	CHARGER, BATTERY (AC110-130V)	1	
2	JW2-H4312-00-00	. CORD ASSY	1	
3	MAC-M1409-80-00	.. DC PLUG SET	1	



CONTENTS	
ALTERNATE FOR SUN ROOF	C2
ALTERNATE FOR WINDSHIELD	C1
BATTERY CHARGER	B12
BODY	B2
BODY 2	B3
BODY FITTING	B4
BUMPER	B1
CARRIER	B5
CONTROLLER 1	B9
ELECTRIC MOTOR	B7-8
ELECTRICAL 1	B10-11
FRAME	A3
FRONT SUSPENSION	A4
PEDAL ASSEMBLY	A7-8
REAR ARM SUSPENSION	A2
SEAT	B6
STEERING	A5-6
TRANSAXLE BRAKE	A9-11
WHEEL	A12

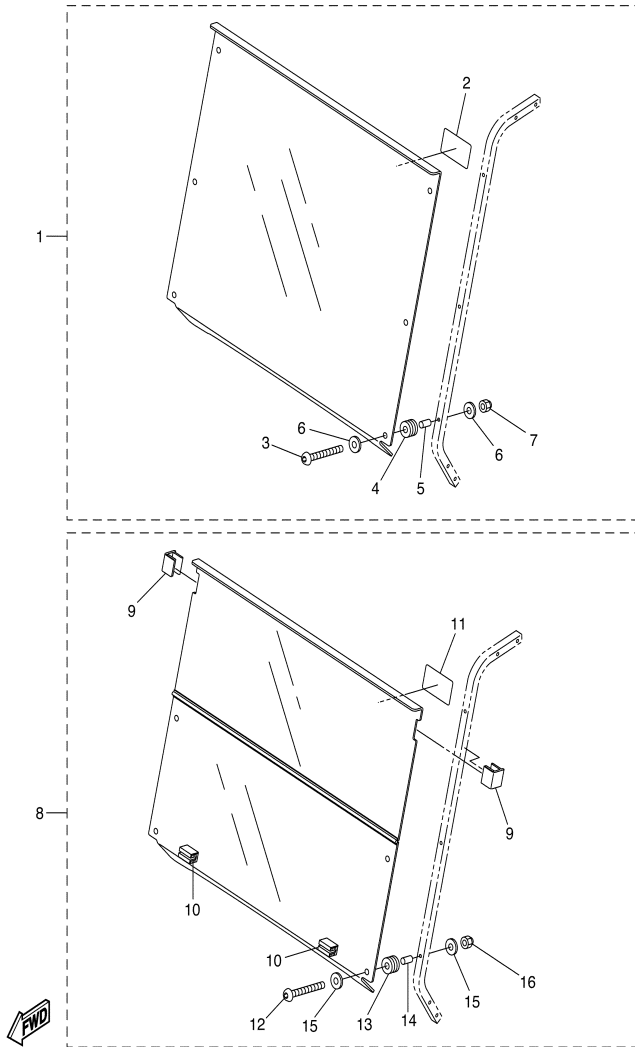


JW21110-E170

ALTERNATE FOR WINDSHIELD

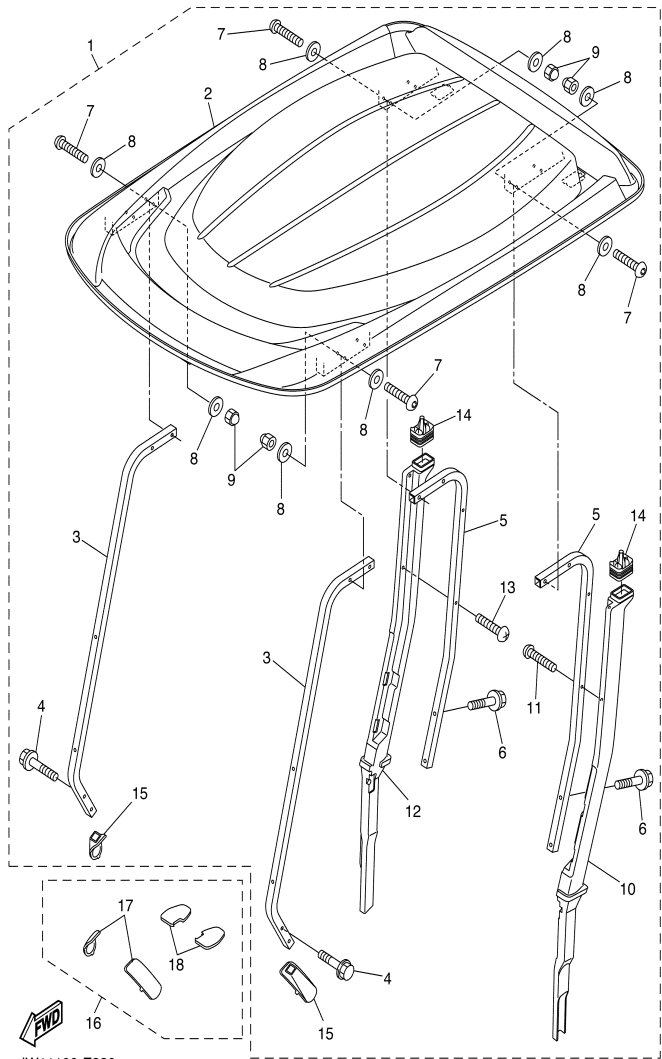
Ref. No.	Part Number	Description	Qty	Remarks
1	JW1-K7200-00-00	WINDSHIELD ASSY, SOLID (CLEAR)	1	UR AP
	JW1-K7200-10-00	WINDSHIELD ASSY, SOLID(SMOKE)	1	UR AP
2	JU0-K7458-00-00	. LABEL, WARNING	1	
3	JW1-K7212-00-00	. BOLT, WIND SHIELD	6	
4	JW1-K7237-00-00	. GROMMET	6	
5	JW1-K7115-00-00	. COLLAR	6	
6	90201-068G7-00	. WASHER, PLATE	12	
7	JW1-K7217-00-00	. NUT, WIND SHIELD	6	
8	JW1-K7200-20-00	WINDSHIELD ASSY, HINGED(CLEAR)	1	UR AP
	JW1-K7200-30-00	WINDSHIELD ASSY, HINGED(SMOKE)	1	UR AP
9	JW1-K7173-00-00	. LEVER, LATCH 1	2	
10	JW1-K7222-00-00	. BRACKET, WINDSHIELD(R.H)	2	
11	JU0-K7458-00-00	. LABEL, WARNING	1	
12	JW1-K7212-00-00	. BOLT, WIND SHIELD	4	
13	JW1-K7237-00-00	. GROMMET	4	
14	JW1-K7115-00-00	. COLLAR	4	
15	90201-068G7-00	. WASHER, PLATE	8	
16	JW1-K7217-00-00	. NUT, WIND SHIELD	4	

CONTENTS		
ALTERNATE FOR SUN ROOF		C2
ALTERNATE FOR WINDSHIELD		C1
BATTERY CHARGER		B12
BODY		B2
BODY 2		B3
BODY FITTING		B4
BUMPER		B1
CARRIER		B5
CONTROLLER 1		B9
ELECTRIC MOTOR		B7-8
ELECTRICAL 1		B10-11
FRAME		A3
FRONT SUSPENSION		A4
PEDAL ASSEMBLY		A7-8
REAR ARM SUSPENSION		A2
SEAT		B6
STEERING		A5-6
TRANSAXLE BRAKE		A9-11
WHEEL		A12



JW11100-E320

ALTERNATE FOR SUN ROOF



JW11100-E330

Ref. No.	Part Number	Description	Qty	Remarks
1	JW1-K8310-00-00	SUN ROOF ASSY	1	AP
2	JW1-K8314-00-00	. COVER, SUN ROOF	1	
3	JW1-K8312-00-00	. SUPPORT, SUN ROOF 1	2	
4	90105-08892-00	. BOLT, FLANGE	4	
5	JW1-K8313-00-00	. SUPPORT, SUN ROOF 2	2	
6	90105-08892-00	. BOLT, FLANGE	4	
7	JU0-K8388-00-00	. BOLT, ROOF 1	8	
8	90201-088T2-00	. WASHER, PLATE	16	
9	JU0-K8398-00-00	. NUT, ROOF 1	8	
10	JW1-F413G-00-00	. TUBE, DRAIN	1	
11	90157-06814-00	. SCREW, PAN HEAD	2	
12	JW1-F413J-00-00	. TUBE, DRAIN 2	1	
13	90157-06814-00	. SCREW, PAN HEAD	2	
14	JW1-F414G-00-00	. SEAL	2	
15	JW1-K832F-00-00	. GROMMET, ROOF SUPPORT 1	2	
16	JW1-F8108-00-00	COVER ASSY	1	AP
17	JW1-K832H-00-00	. GROMMET, ROOF SUPPORT 3	2	
18	JW1-K833H-00-00	. GROMMET, ROOF SUPPORT 4	2	

CONTENTS

ALTERNATE FOR SUN ROOF	C2
ALTERNATE FOR WINDSHIELD	C1
BATTERY CHARGER	B12
BODY	B2
BODY 2	B3
BODY FITTING	B4
BUMPER	B1
CARRIER	B5
CONTROLLER 1	B9
ELECTRIC MOTOR	B7-8
ELECTRICAL 1	B10-11
FRAME	A3
FRONT SUSPENSION	A4
PEDAL ASSEMBLY	A7-8
REAR ARM SUSPENSION	A2
SEAT	B6
STEERING	A5-6
TRANSAXLE BRAKE	A9-11
WHEEL	A12