

# PARTS CATALOGUE

## GOLF CAR

2004 G27EZ (JU81)

2005 G27EZ (JU81)

2006 G27EC (JU81)

### CONTENTS

ACCELERATOR	B2
BODY 1	B7-8
BODY 2	B9
BODY FITTING	B10
BRAKE 1	A10-11
BRAKE 2	A12
BRAKE 3	B1
BUMPER	B6
CARRIER	B11
CONTROLLER 1	C3-4
ELECTRIC MOTOR	C1
ELECTRICAL 1	C5-7
FRAME	A5
FRONT SUSPENSION WHEEL	A6-7
HEADLIGHT	C2
REAR ARM SUSPENSION	A4
REAR AXLE MOUNT WHEEL	B5
SEAT	B12
STEERING	A8-9
TRANSAXLE	B3-4
-MODELS IN THIS CATALOG	C8

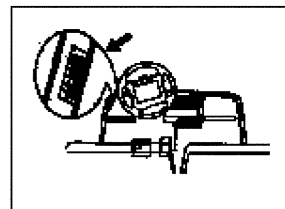
Applicable Serial No.

**STARTING SERIAL NO. (G27EZ): JU8-000101 and following**

**STARTING SERIAL NO. (G27EZ): JU8-000101 and following**

**STARTING SERIAL NO. (G27EC): JU8-300101 and following**

Frame Serial No.



OWNERS	LIT-19626-01-09
ASSEMBLY	LIT-11666-01-09
SERVICE	LIT-11616-01-09

## CONTENTS

ACCELERATOR	B2
BODY 1	B7-8
BODY 2	B9
BODY FITTING	B10
BRAKE 1	A10-11
BRAKE 2	A12
BRAKE 3	B1
BUMPER	B6
CARRIER	B11
CONTROLLER 1	C3-4
ELECTRIC MOTOR	C1
ELECTRICAL 1	C5-7
FRAME	A5
FRONT SUSPENSION WHEEL	A6-7
HEADLIGHT	C2
REAR ARM SUSPENSION	A4
REAR AXLE MOUNT WHEEL	B5
SEAT	B12
STEERING	A8-9
TRANSAXLE	B3-4
-MODELS IN THIS CATALOG	C8

## FOREWORD

This Parts Catalogue is related to the parts for the model(s) on the cover page. When you are ordering replacement parts, please refer to this Parts Catalogue and quote both part numbers and part names correctly.

1. Modifications or additions which have been made after the issue of the Parts Catalogue will be announced in the Parts News.  
It is advisable that you make the necessary corrections to the Parts Catalogue according to the Parts News.

2. Abbreviations  
The following abbreviations are used in this Parts Catalogue.

“UR” Use specified parts number.  
 “UN” Use as many as needed.  
 “AP” Alternate Parts  
 “LM” Locally Made (Parts need to be ordered locally)  
 “F#” Frame No. (Applicable machine No.)  
 “O/S” Over Size

3. The number of components for assembly
  - Parts, which are to be supplied in an assembly, are listed with a dot (.) in front of the part name as shown below.
  - The numeral appearing to the right of each component part indicates the quantity of parts for each assembly unit.

PART NO.	DESCRIPTION	Q'TY	REMARKS
2F5-83310-60	FRONT FLASHER LIGHT ASSY	2	
115-83311-60	.BULB (6V-18W)	1	

4. Applicable colours of graphics are represented in the “REMARKS” as shown below.

PART NO.	DESCRIPTION	Q'TY	REMARKS
2N4-24110-00-X5	FUEL TANK COMP.	2	MXR
3J1-24240-10	.GRAPHIC, FUEL TANK	1	FOR MXR

5. Note that the illustrations for reference in finding parts numbers are not to be used for assembling. When assembling, please use the applicable service manual.

6. The asterisk (\*) before a reference number indicates modified items after the first edition.

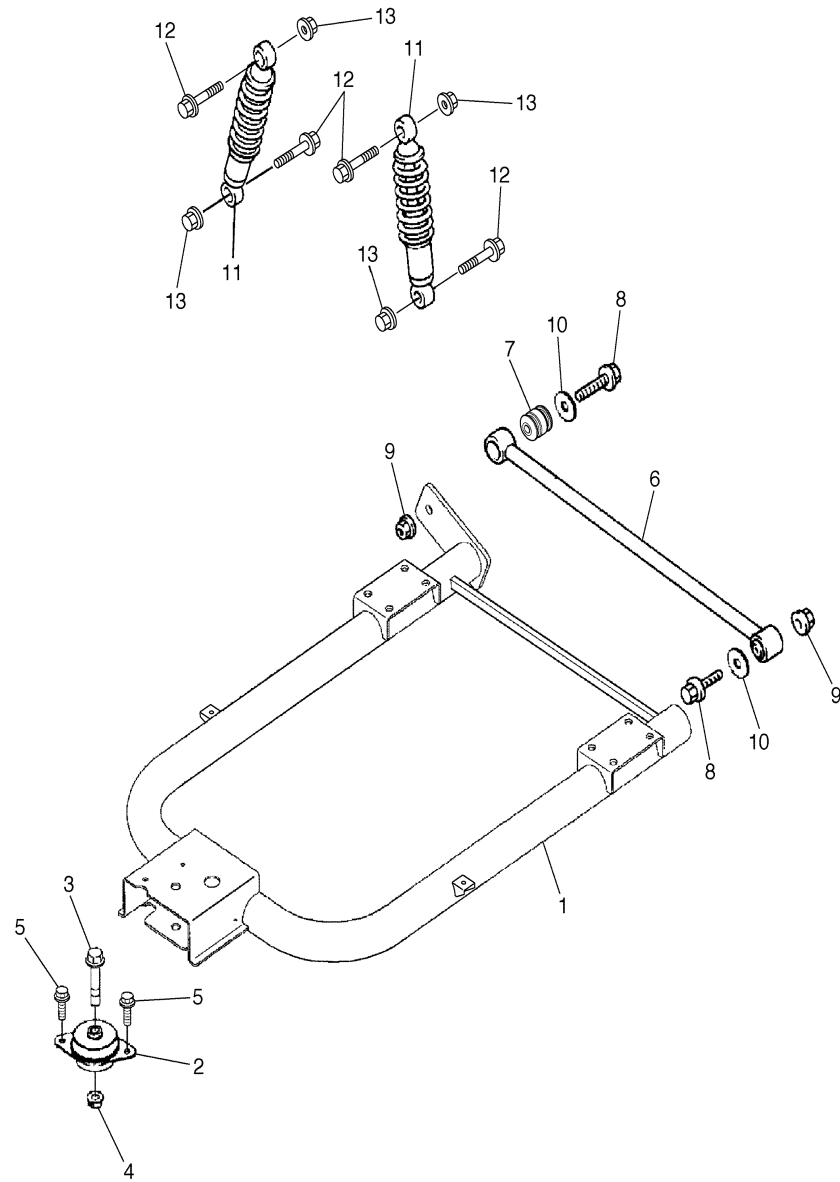


# REAR ARM SUSPENSION

Ref. No.	Part Number	Description	Qty	Remarks
1	JU8-F2110-00-00	REAR ARM COMP. ....	1	
2	JN6-F2123-10-00	BUSH 1 .....	1	
3	90105-13864-00	BOLT, FLANGE .....	1	
4	90179-13878-00	NUT .....	1	
5	9751P-10620-00	BOLT, WITH WASHER .....	2	
6	JN6-F217G-00-00	ROD, CONNECTING .....	1	
7	JN6-F2124-10-00	BUSH 2 .....	2	
8	9581P-12065-00	BOLT, FLANGE .....	2	
9	9560P-12200-00	NUT, FLANGE .....	2	
10	90201-128S4-00	WASHER, PLATE .....	2	
11	JU7-F2210-00-00	SHOCK ABSORBER ASSY, REAR .....	2	
12	95807-10055-00	BOLT, FLANGE .....	4	
13	95607-10200-00	NUT, (RH THREAD) .....	4	

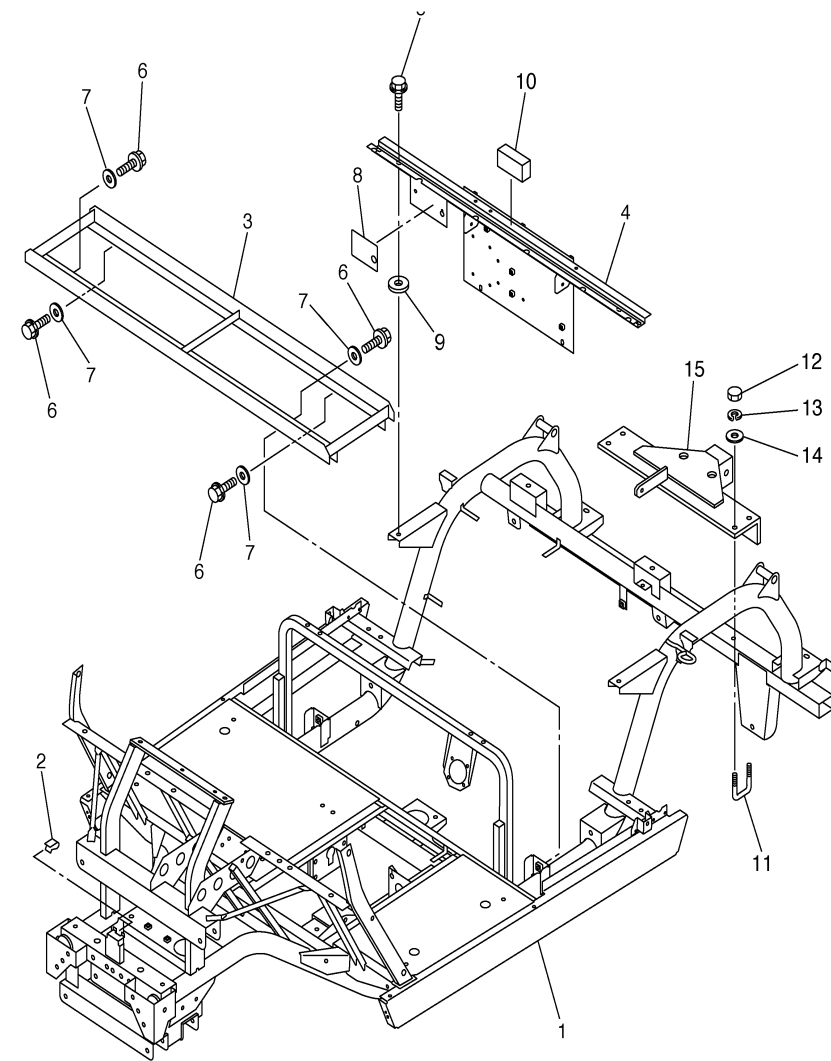
## CONTENTS

ACCELERATOR	B2
BODY 1	B7-8
BODY 2	B9
BODY FITTING	B10
BRAKE 1	A10-11
BRAKE 2	A12
BRAKE 3	B1
BUMPER	B6
CARRIER	B11
CONTROLLER 1	C3-4
ELECTRIC MOTOR	C1
ELECTRICAL 1	C5-7
FRAME	A5
FRONT SUSPENSION WHEEL	A6-7
HEADLIGHT	C2
REAR ARM SUSPENSION	A4
REAR AXLE MOUNT WHEEL	B5
SEAT	B12
STEERING	A8-9
TRANSAXLE	B3-4
-MODELS IN THIS CATALOG	C8



JU81110-C010

# FRAME



**NOTE A: WHEN REPLACING "BRACKET, 3 JU8-F252M-00-00", YOU MUST ALSO REPLACE "PLATE, CAUTION 2 JR1-K8298-00-00".**

Ref. No.	Part Number	Description	Qty	Remarks
1	JU8-F2501-00-00	FRAME COMP. ....	1	
2	JU0-F2567-00-00	SUPPORT 1 ....	1	
3	JU2-F2554-10-00	BASE, BATTERY ....	1	
4	JU8-F252M-00-00	BRACKET, 3 ....	1	SEE NOTE A
5	9582P-08020-00	BOLT, FLANGE ....	2	
6	90105-10881-00	BOLT, FLANGE ....	4	
7	90201-11800-00	WASHER, PLATE ....	4	
8	JR1-K8298-10-00	PLATE, CAUTION 2 ....	1	SEE NOTE A
9	90201-088S1-00	WASHER, PLATE ....	2	
10	JU7-F4145-00-00	DAMPER, SIDE COVER ....	1	
11	90109-10862-00	BOLT ....	2	
12	90170-10847-00	NUT, HEX ....	4	
13	9290P-10100-00	WASHER ....	4	
14	9290P-10200-00	WASHER ....	4	
15	JW4-F722B-00-00	BAR, TOW ....	1	

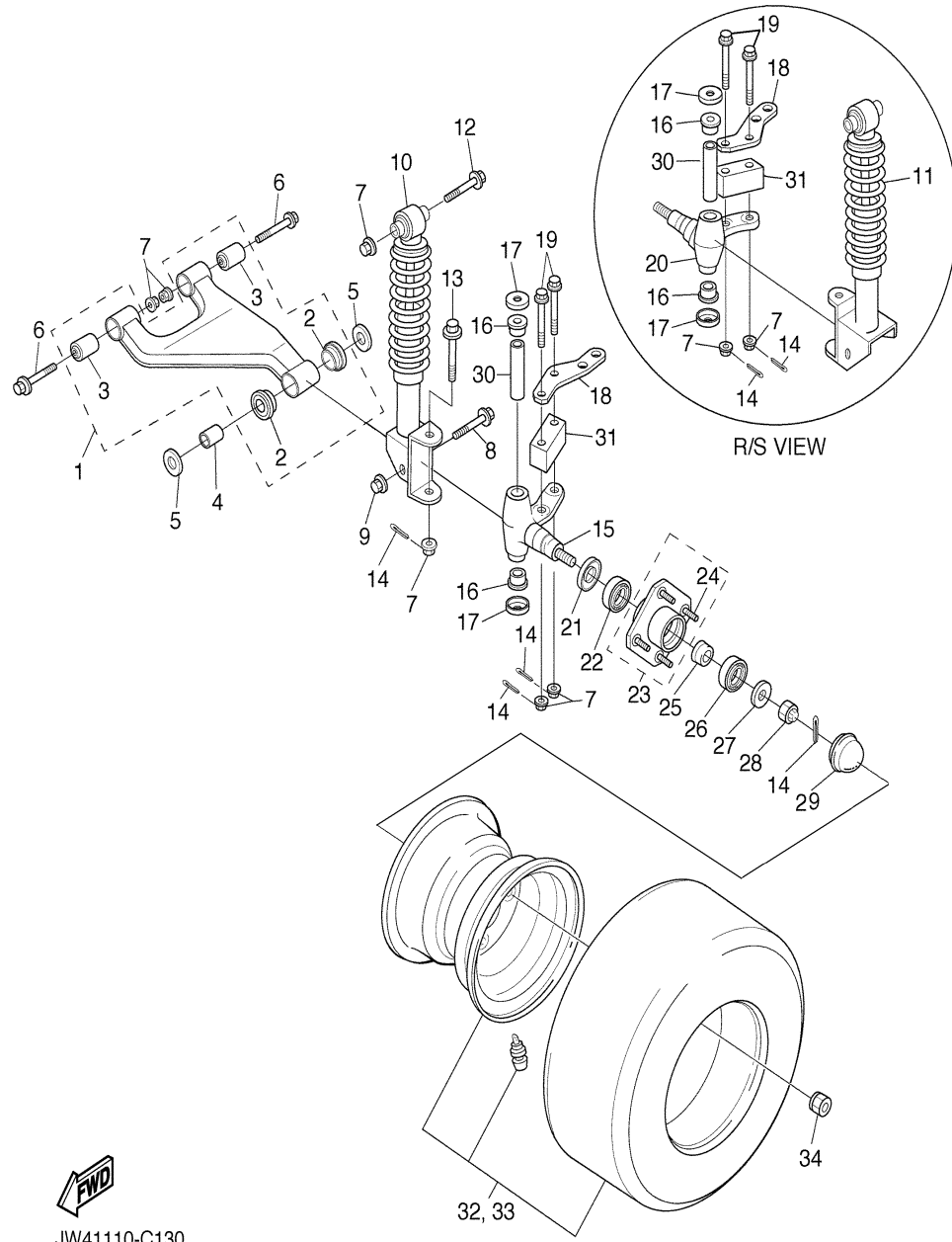
## CONTENTS

ACCELERATOR	B2
BODY 1	B7-8
BODY 2	B9
BODY FITTING	B10
BRAKE 1	A10-11
BRAKE 2	A12
BRAKE 3	B1
BUMPER	B6
CARRIER	B11
CONTROLLER 1	C3-4
ELECTRIC MOTOR	C1
ELECTRICAL 1	C5-7
FRAME	A5
FRONT SUSPENSION WHEEL	A6-7
HEADLIGHT	C2
REAR ARM SUSPENSION	A4
REAR AXLE MOUNT WHEEL	B5
SEAT	B12
STEERING	A8-9
TRANSAXLE	B3-4
-MODELS IN THIS CATALOG	C8



JU81110-C020

# FRONT SUSPENSION WHEEL



JW41110-C130

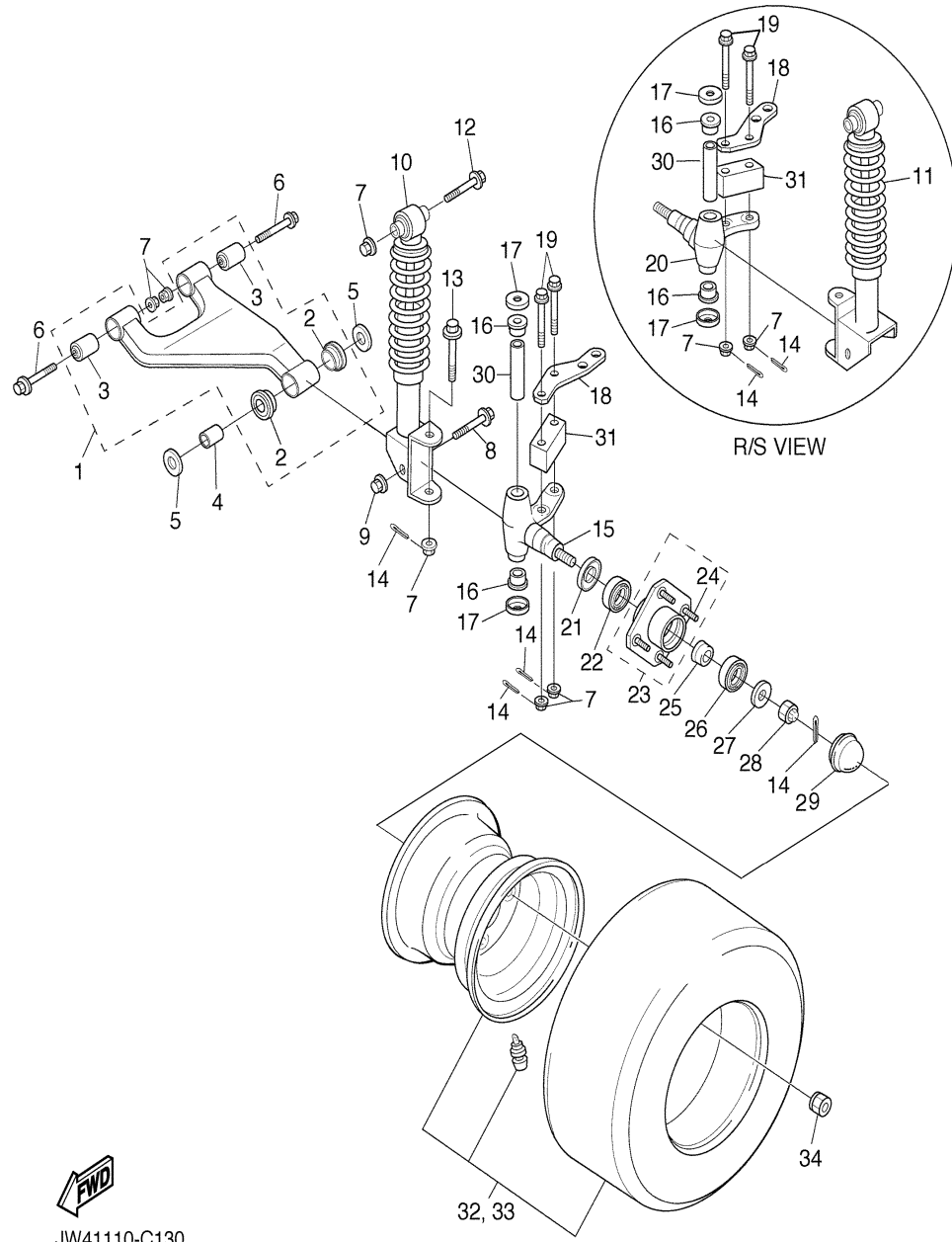
Ref. No.	Part Number	Description	Qty	Remarks
1	JU0-F3570-20-00	FRONT LOWER ARM COMP. . .	2	
2	90381-18001-00	. BUSH, SOLID . . . . .	2	
3	2HR-23526-00-00	. BUSH . . . . .	2	
4	90387-12016-00	COLLAR . . . . .	2	
5	401-22128-01-00	COVER, THRUST 1 . . . . .	4	
6	90105-10890-00	BOLT, FLANGE . . . . .	4	
7	95607-10200-00	NUT, (RH THREAD) . . . . .	12	
8	95817-12080-00	BOLT, FLANGE . . . . .	2	
9	9561P-12100-00	NUT . . . . .	2	
10	JU7-F3350-00-00	SHOCK ABSORBER ASSY . . .	1	LH
11	JU7-F3390-00-00	SHOCK ABSORBER ASSY 2 . .	1	RH
12	95807-10065-00	BOLT, FLANGE . . . . .	2	
13	90105-10064-00	BOLT, FLANGE . . . . .	2	
14	91401-25020-00	PIN, COTTER . . . . .	8	
15	JU0-F3511-00-00	KNUCKLE, STEERING 1 . . . .	1	
16	90381-17067-00	BUSH, SOLID . . . . .	4	
17	2NL-23517-00-00	COVER, THRUST 1 . . . . .	4	
18	JU7-F3512-00-00	ARM, KNUCKLE 1 . . . . .	2	
19	90105-10774-00	BOLT, FLANGE . . . . .	4	
20	JU0-F3521-00-00	KNUCKLE, STEERING 2 . . . .	1	
21	93102-30083-00	OIL SEAL . . . . .	2	
22	93306-204X0-00	BEARING . . . . .	2	
23	JG5-WF511-10-00	HUB, FRONT . . . . .	2	
24	90114-12800-00	. BOLT, RIBBED NECK . . . . .	4	
25	90387-241M7-00	COLLAR . . . . .	2	
26	93306-005Y3-00	BEARING . . . . .	2	
27	90209-32832-00	WASHER . . . . .	2	
28	95607-14100-00	NUT, U . . . . .	2	
29	JN6-F5118-00-00	COVER, HUB DUST . . . . .	2	
30	2NL-23448-00-00	SPACER . . . . .	2	

## CONTENTS

ACCELERATOR	B2
BODY 1	B7-8
BODY 2	B9
BODY FITTING	B10
BRAKE 1	A10-11
BRAKE 2	A12
BRAKE 3	B1
BUMPER	B6
CARRIER	B11
CONTROLLER 1	C3-4
ELECTRIC MOTOR	C1
ELECTRICAL 1	C5-7
FRAME	A5
FRONT SUSPENSION WHEEL	A6-7
HEADLIGHT	C2
REAR ARM SUSPENSION	A4
REAR AXLE MOUNT WHEEL	B5
SEAT	B12
STEERING	A8-9
TRANSAXLE	B3-4
-MODELS IN THIS CATALOG	C8

CONTINUED ON NEXT FRAME ►

# FRONT SUSPENSION WHEEL



Ref. No.	Part Number	Description	Qty	Remarks
31	JU7-F3118-00-00	SPACER .....	2	
32	JU7-F5100-00-00	WHEEL ASSY (20X10-8 4PLY 224) .....	1	UR DURO TURF, LH
	JU7-F5100-10-00	WHEEL ASSY (20X10-8/4/244) .	1	UR DURO DESERT, LH
33	JU7-F5100-00-00	WHEEL ASSY (20X10-8 4PLY 224) .....	1	UR DURO TURF, RH
	JU7-F5109-10-00	WHEEL ASSY, 2 (20X10-8/4/244) .....	1	UR DURO DESERT, RH
34	90179-12262-00	NUT .....	8	

## CONTENTS

ACCELERATOR	B2
BODY 1	B7-8
BODY 2	B9
BODY FITTING	B10
BRAKE 1	A10-11
BRAKE 2	A12
BRAKE 3	B1
BUMPER	B6
CARRIER	B11
CONTROLLER 1	C3-4
ELECTRIC MOTOR	C1
ELECTRICAL 1	C5-7
FRAME	A5
FRONT SUSPENSION WHEEL	A6-7
HEADLIGHT	C2
REAR ARM SUSPENSION	A4
REAR AXLE MOUNT WHEEL	B5
SEAT	B12
STEERING	A8-9
TRANSAXLE	B3-4
-MODELS IN THIS CATALOG	C8



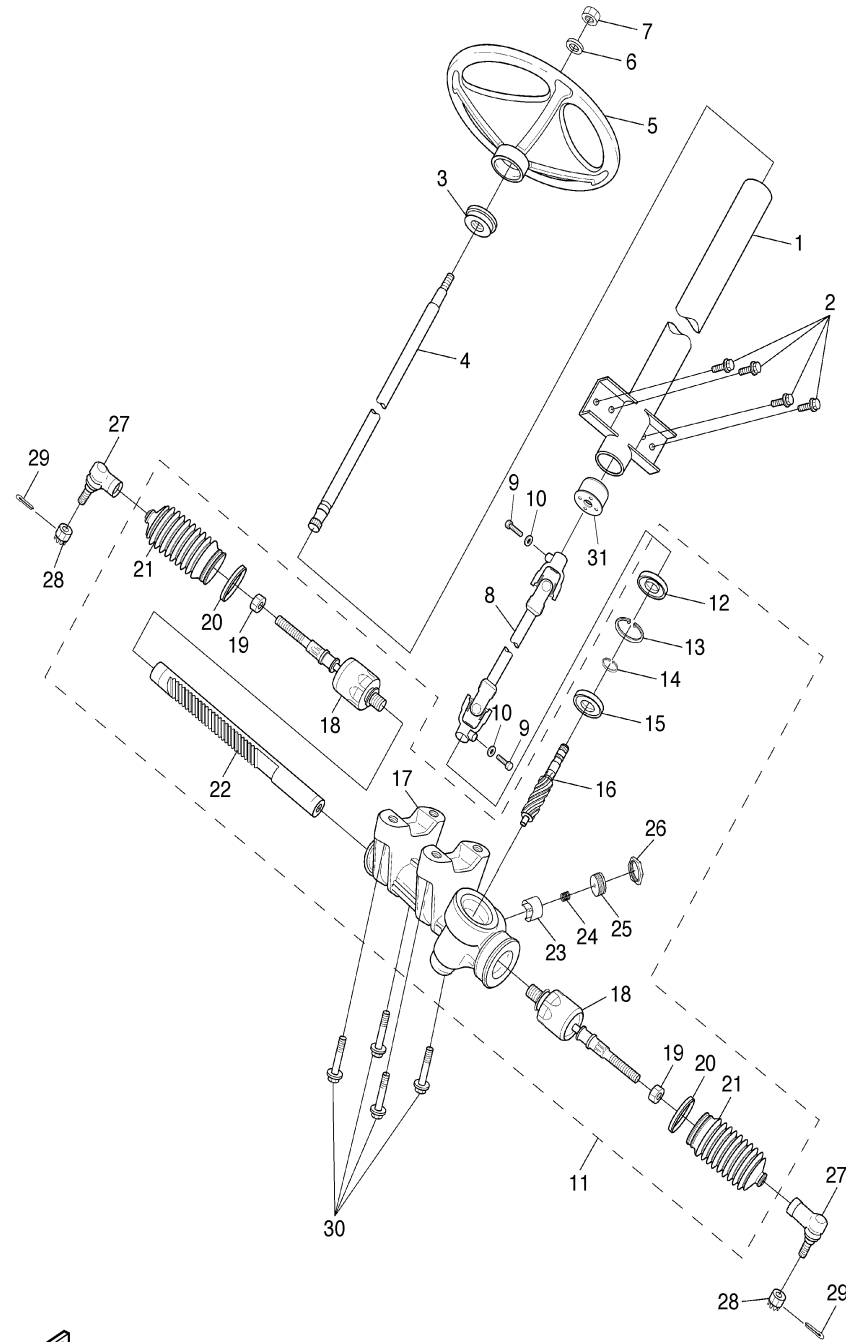
JW41110-C130

# STEERING

Ref. No.	Part Number	Description	Qty	Remarks
1	JU0-F3811-00-00	COLUMN, STEERING	1	
2	9581P-08016-00	BOLT, FLANGE	4	
3	JN3-F3814-00-00	HOLDER, HANDLE	1	
4	JU0-F3828-00-00	ROD, STEERING	1	
5	JN3-F3838-00-00	WHEEL, STEERING	1	
6	9290P-12200-00	WASHER	1	
7	90185-12061-00	NUT, SELF-LOCKING	1	
8	JU0-F3822-00-00	JOINT 1	1	
9	97017-08030-00	BOLT	2	
10	92907-08600-00	WASHER, PLATE	2	
11	JU7-F3400-00-00	STEERING ASSY	1	
12	JU0-F3844-00-00	. SEAL	1	
13	JU0-F387J-00-00	. RING, STOPPER	1	
14	JU0-F3183-00-00	. CIRCLIP	1	
15	JU0-F339Y-00-00	. BEARING	1	
16	JU0-F387A-00-00	. GEAR, PINION	1	
17	JU0-F620A-01-00	. HOUSING COMP.	1	
18	JU7-F3837-00-00	. ROD, TIE 2	2	
19	JU0-F3833-00-00	. NUT 1	2	
20	JU0-F1338-00-00	. CLAMP	2	
21	JU0-F3848-00-00	. BOOT	2	
22	JU0-F387E-00-00	. GEAR, RACK	1	
23	JU0-F387F-00-00	. PAD, PRESSURE	1	
24	JU0-F387K-00-00	. SPRING, PRESSURE	1	
25	JU0-F387G-00-00	. COVER, ADJUST	1	
26	JU0-F3834-00-00	. NUT 2	1	
27	JU0-F3841-00-00	JOINT, UNIVERSAL 1	2	
28	95607-12200-00	NUT, U-FLANGE	2	
29	91401-25020-00	PIN, COTTER	2	
30	90105-10810-00	BOLT, FLANGE	4	

## CONTENTS

ACCELERATOR	B2
BODY 1	B7-8
BODY 2	B9
BODY FITTING	B10
BRAKE 1	A10-11
BRAKE 2	A12
BRAKE 3	B1
BUMPER	B6
CARRIER	B11
CONTROLLER 1	C3-4
ELECTRIC MOTOR	C1
ELECTRICAL 1	C5-7
FRAME	A5
FRONT SUSPENSION WHEEL	A6-7
HEADLIGHT	C2
REAR ARM SUSPENSION	A4
REAR AXLE MOUNT WHEEL	B5
SEAT	B12
STEERING	A8-9
TRANSAXLE	B3-4
-MODELS IN THIS CATALOG	C8



JU71110-C140

CONTINUED ON NEXT FRAME ►

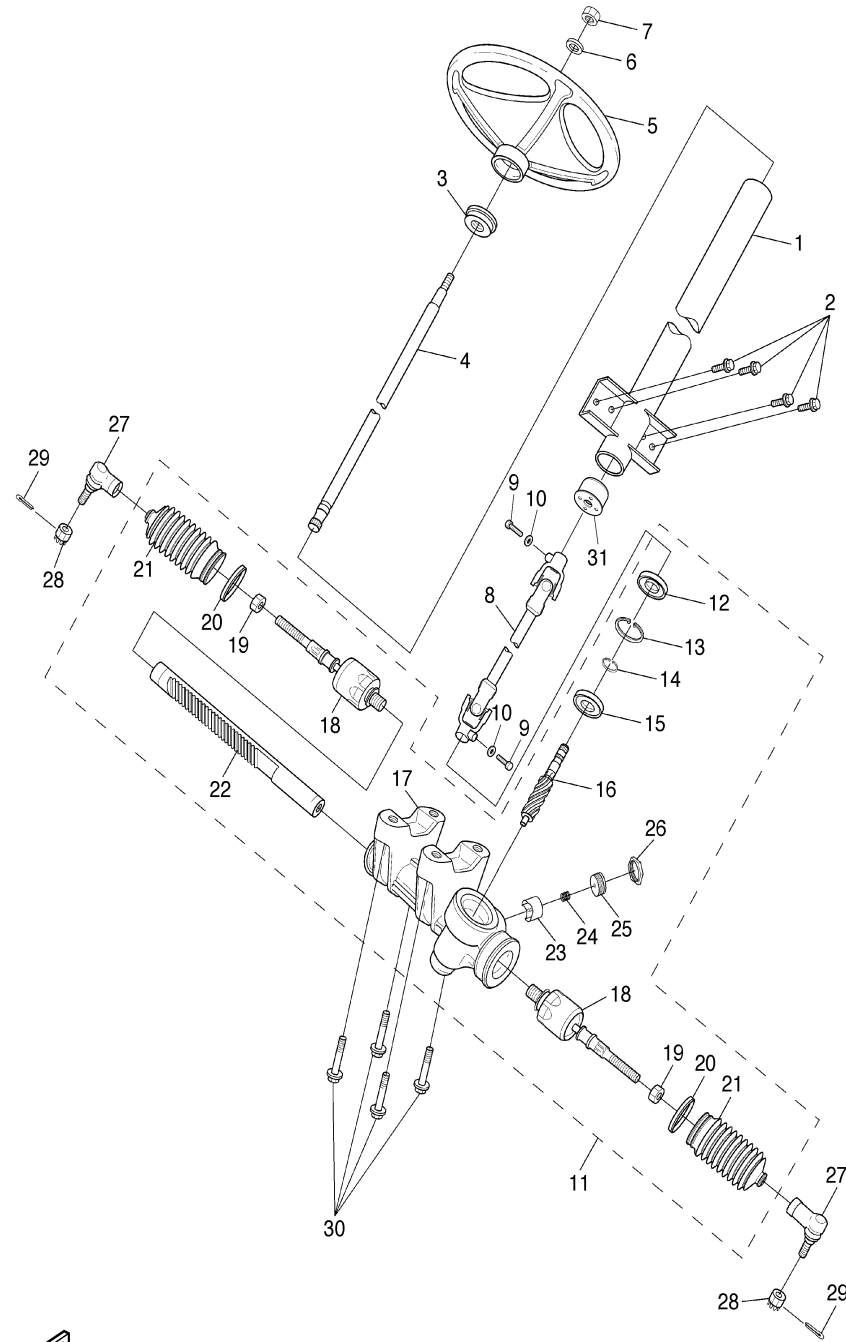


# STEERING

Ref. No.	Part Number	Description	Qty	Remarks
31	JU0-F3857-00-00	HOLDER .....	1	

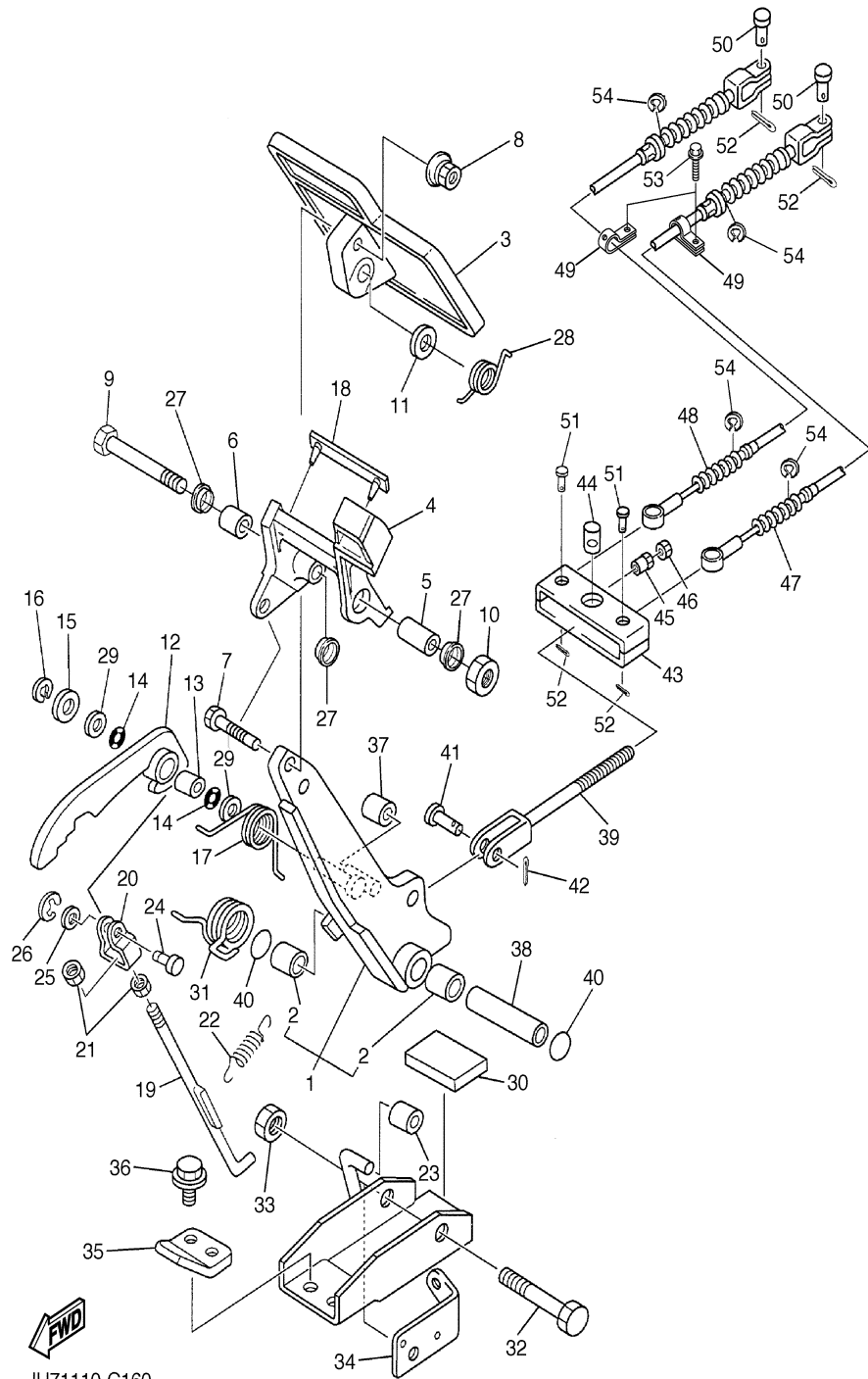
## CONTENTS

ACCELERATOR	B2
BODY 1	B7-8
BODY 2	B9
BODY FITTING	B10
BRAKE 1	A10-11
BRAKE 2	A12
BRAKE 3	B1
BUMPER	B6
CARRIER	B11
CONTROLLER 1	C3-4
ELECTRIC MOTOR	C1
ELECTRICAL 1	C5-7
FRAME	A5
FRONT SUSPENSION WHEEL	A6-7
HEADLIGHT	C2
REAR ARM SUSPENSION	A4
REAR AXLE MOUNT WHEEL	B5
SEAT	B12
STEERING	A8-9
TRANSAXLE	B3-4
-MODELS IN THIS CATALOG	C8



JU71110-C140

# BRAKE 1



JU71110-C160

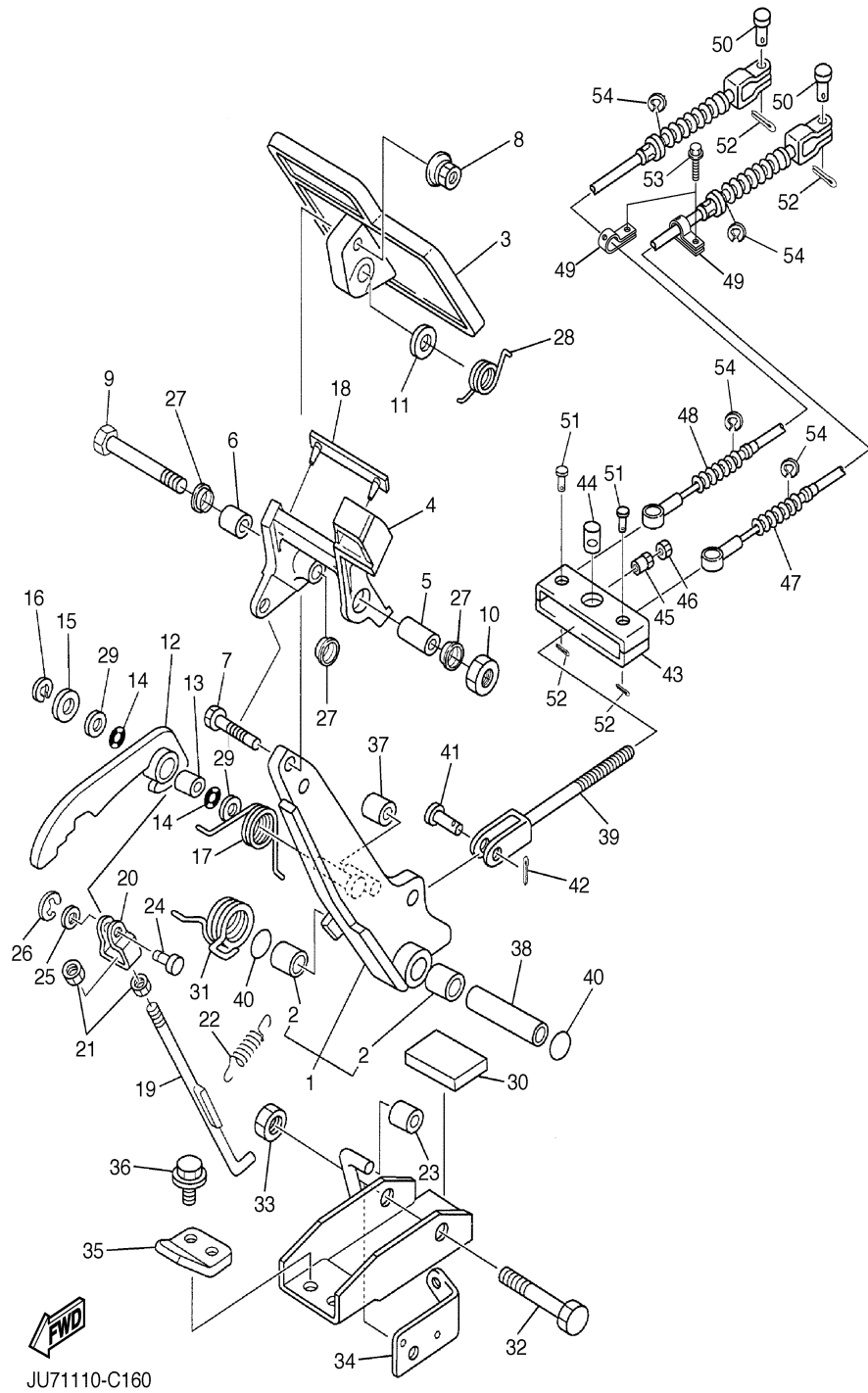
Ref. No.	Part Number	Description	Qty	Remarks
1	J46-27250-03-00	BRAKE ARM COMP. ....	1	
2	90384-14080-00	. BUSH, BIMETAL ....	2	
3	JU0-27211-01-00	PEDAL, BRAKE ....	1	
4	JU0-25671-00-00	PEDAL, PARKING BRAKE ....	1	
5	90387-08014-00	COLLAR ....	1	
6	90387-08013-00	COLLAR ....	1	
7	97027-06035-00	BOLT ....	1	
8	90179-07564-00	NUT ....	1	
9	97027-08100-00	BOLT ....	1	
10	95307-08600-00	NUT ....	1	
11	92907-08200-00	WASHER, PLAIN ....	1	
12	J17-25666-02-00	SECTOR, PARKING BRAKE ..	1	
13	90384-10162-00	BUSH, BIMETAL ....	1	
14	J17-27221-00-00	SEAL, SHAFT ....	2	
15	92907-10600-00	WASHER, PLATE ....	1	
16	99001-07600-00	CIRCLIP ....	1	
17	90508-14548-00	SPRING, TORSION ....	1	
18	J17-25672-01-00	PAD, PARKING ....	1	
19	J17-27231-03-00	ROD, BRAKE ....	1	
20	J17-27232-00-00	END, ROD ....	1	
21	95307-06700-00	NUT ....	2	
22	90506-09001-00	SPRING, TENSION ....	1	
23	J17-25673-00-00	DAMPER, BRAKE ....	1	
24	J17-27228-00-00	PIN, LINK JOINT ....	1	
25	92907-05600-00	WASHER, PLATE ....	1	
26	99001-04600-00	CIRCLIP (E) ....	1	
27	90387-12009-00	COLLAR ....	3	
28	90508-32015-00	SPRING, TORSION ....	1	
29	90201-104G8-00	WASHER, PLAIN ....	2	
30	JN3-F7245-00-00	PAD, BRAKE PEDAL ....	1	

CONTINUED ON NEXT FRAME ►

## CONTENTS

ACCELERATOR	B2
BODY 1	B7-8
BODY 2	B9
BODY FITTING	B10
BRAKE 1	A10-11
BRAKE 2	A12
BRAKE 3	B1
BUMPER	B6
CARRIER	B11
CONTROLLER 1	C3-4
ELECTRIC MOTOR	C1
ELECTRICAL 1	C5-7
FRAME	A5
FRONT SUSPENSION WHEEL	A6-7
HEADLIGHT	C2
REAR ARM SUSPENSION	A4
REAR AXLE MOUNT WHEEL	B5
SEAT	B12
STEERING	A8-9
TRANSAXLE	B3-4
-MODELS IN THIS CATALOG	C8

# BRAKE 1



Ref. No.	Part Number	Description	Qty	Remarks
31	90508-40007-00	SPRING, TORSION	1	
32	90101-10884-00	BOLT	1	
33	95607-10200-00	NUT, (RH THREAD)	1	
34	J55-2252M-00-00	BRACKET	1	
35	J17-27246-00-00	NAIL, BRAKE	1	
36	90105-08878-00	BOLT, FLANGE	2	
37	J17-25673-00-00	DAMPER, BRAKE	1	
38	90387-107F8-00	COLLAR	1	
39	JN6-F5685-00-00	ROD	1	
40	93210-132A8-00	O-RING	2	
41	91701-10022-00	PIN	1	
42	91490-30015-00	PIN, COTTER	1	
43	JN6-F5681-00-00	EQUALIZER, BRAKE	1	
44	90249-14129-00	PIN	1	
45	90179-08894-00	NUT	1	
46	95307-08700-00	NUT, HEX	1	
47	JU7-F6341-00-00	CABLE, BRAKE	1	~JU8-300100
	JU0-F6341-10-00	CABLE, BRAKE	1	JU8-300101~
48	JU7-F6351-00-00	CABLE, BRAKE	1	~JU8-300100
	JU0-F6351-10-00	CABLE, BRAKE	1	JU8-300101~
49	90464-16802-00	. CLAMP	2	INCLUDED WITH JU7 CABLES ONLY
50	91701-08018-00	PIN	2	
51	91701-08026-00	PIN	2	
52	91490-25015-00	PIN, COTTER	4	
53	90105-06876-00	BOLT, FLANGE	2	
54	99001-09600-00	CIRCLIP	4	

## CONTENTS

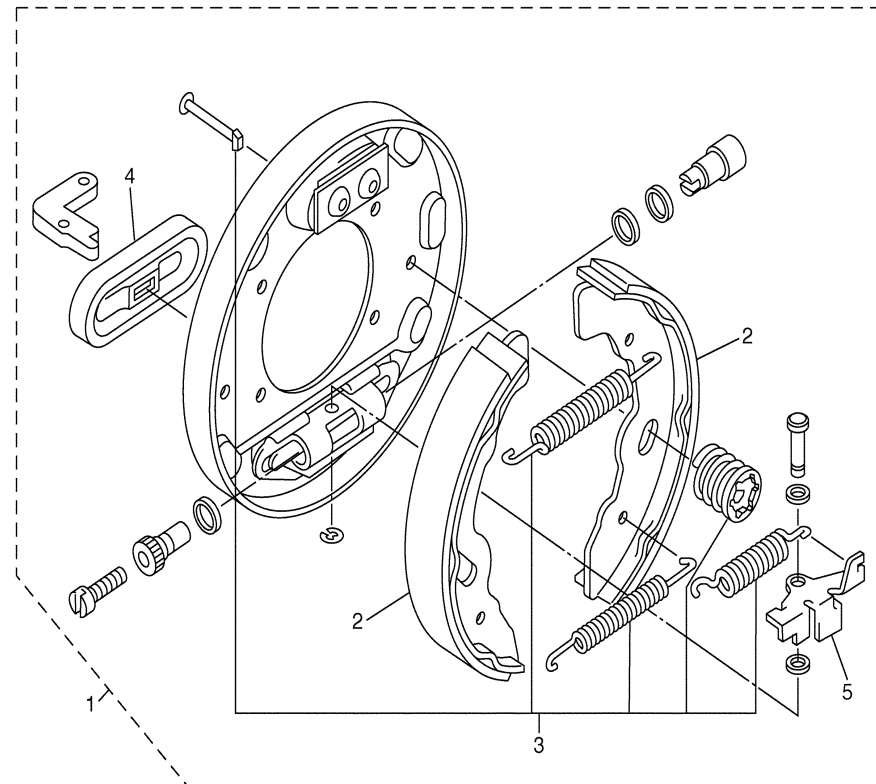
ACCELERATOR	B2
BODY 1	B7-8
BODY 2	B9
BODY FITTING	B10
BRAKE 1	A10-11
BRAKE 2	A12
BRAKE 3	B1
BUMPER	B6
CARRIER	B11
CONTROLLER 1	C3-4
ELECTRIC MOTOR	C1
ELECTRICAL 1	C5-7
FRAME	A5
FRONT SUSPENSION WHEEL	A6-7
HEADLIGHT	C2
REAR ARM SUSPENSION	A4
REAR AXLE MOUNT WHEEL	B5
SEAT	B12
STEERING	A8-9
TRANSAXLE	B3-4
~MODELS IN THIS CATALOG	C8

# BRAKE 2

Ref. No.	Part Number	Description	Qty	Remarks
1	JN6-F7290-03-00	BACKING PLATE, LEFT . . . . .	1	(L.H)
2	JN6-F5331-01-00	. SHOE, BRAKE SET . . . . .	2	(FOR ONE WHEEL)
3	JN6-F819G-00-00	. REPAIR PARTS KIT . . . . .	1	
4	JN6-F7286-00-00	. COVER, DUST . . . . .	1	
5	JN6-F722E-00-00	. LEVER ADJUSTER (LH) . . . . .	1	

## CONTENTS

ACCELERATOR	B2
BODY 1	B7-8
BODY 2	B9
BODY FITTING	B10
BRAKE 1	A10-11
BRAKE 2	A12
BRAKE 3	B1
BUMPER	B6
CARRIER	B11
CONTROLLER 1	C3-4
ELECTRIC MOTOR	C1
ELECTRICAL 1	C5-7
FRAME	A5
FRONT SUSPENSION WHEEL	A6-7
HEADLIGHT	C2
REAR ARM SUSPENSION	A4
REAR AXLE MOUNT WHEEL	B5
SEAT	B12
STEERING	A8-9
TRANSAXLE	B3-4
-MODELS IN THIS CATALOG	C8



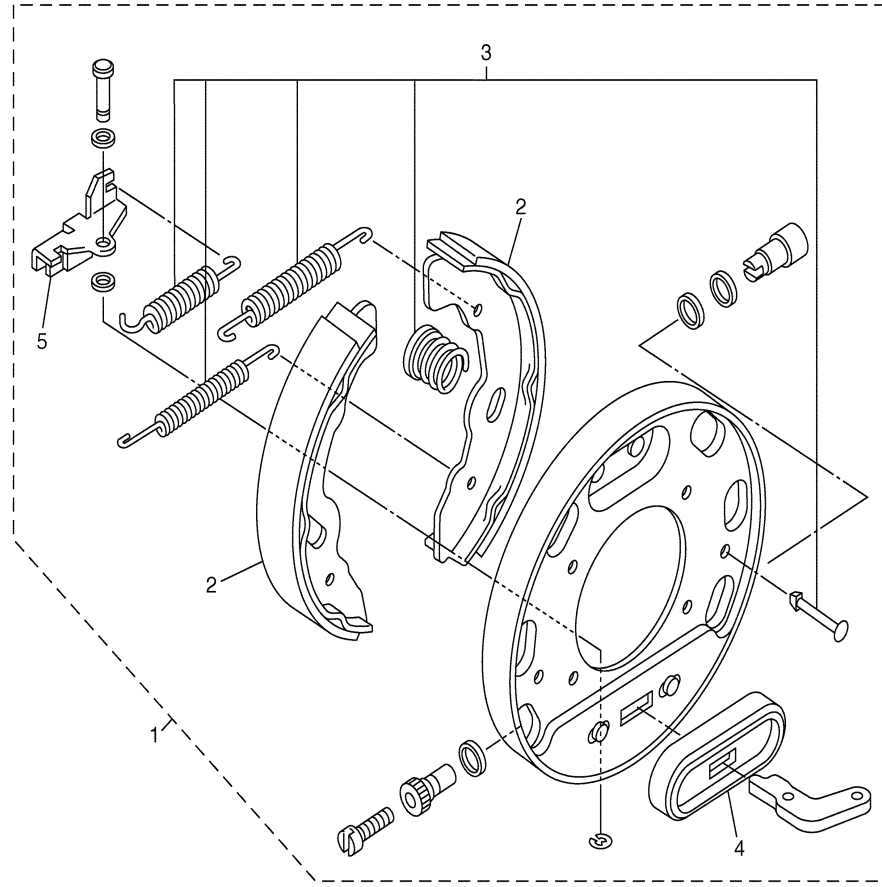
JT71010-B160

# BRAKE 3

Ref. No.	Part Number	Description	Qty	Remarks
1	JN6-F7280-03-00	BACKING PLATE, (RH) . . . . .	1	(R.H)
2	JN6-F5331-01-00	. SHOE, BRAKE SET . . . . .	2	(FOR ONE WHEEL)
3	JN6-F819G-00-00	. REPAIR PARTS KIT . . . . .	1	
4	JN6-F7286-00-00	. COVER, DUST . . . . .	1	
5	JN6-F722F-00-00	. LEVER ADJUSTER (RH) . . . . .	1	

## CONTENTS

ACCELERATOR	B2
BODY 1	B7-8
BODY 2	B9
BODY FITTING	B10
BRAKE 1	A10-11
BRAKE 2	A12
BRAKE 3	B1
BUMPER	B6
CARRIER	B11
CONTROLLER 1	C3-4
ELECTRIC MOTOR	C1
ELECTRICAL 1	C5-7
FRAME	A5
FRONT SUSPENSION WHEEL	A6-7
HEADLIGHT	C2
REAR ARM SUSPENSION	A4
REAR AXLE MOUNT WHEEL	B5
SEAT	B12
STEERING	A8-9
TRANSAXLE	B3-4
-MODELS IN THIS CATALOG	C8



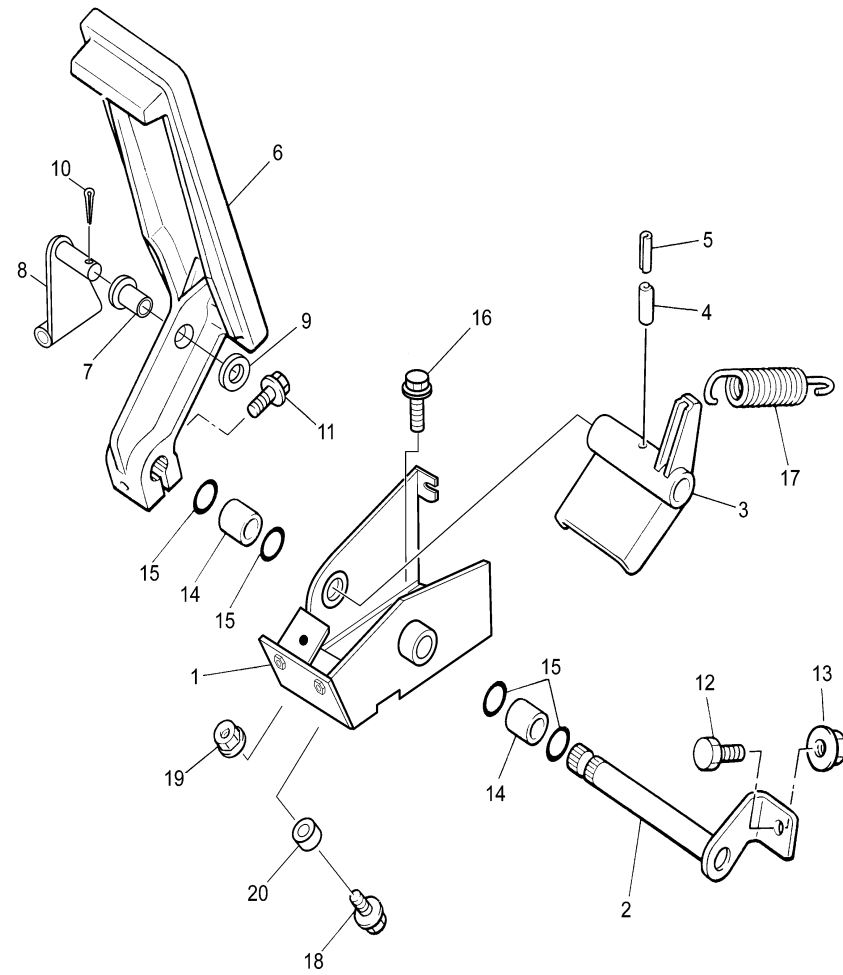
JT71010-B170

# ACCELERATOR

Ref. No.	Part Number	Description	Qty	Remarks
1	JN6-F7874-01-00	BRACKET, PEDAL .....	1	
2	J17-27853-01-00	SHAFT, PEDAL .....	1	
3	J22-27872-00-00	ARM, ACCELERATOR .....	1	
4	91609-60028-00	PIN, SPRING .....	1	
5	91609-35028-00	PIN, SPRING .....	1	
6	JF3-27871-00-00	PEDAL, ACCELERATOR .....	1	
7	90381-06033-00	BUSH, SOLID .....	1	
8	J14-27815-00-00	LEVER, CRANK .....	1	
9	9290P-06600-00	WASHER .....	1	
10	91401-20012-00	PIN, COTTER .....	1	
11	95807-06025-00	BOLT, FLANGE .....	1	
12	90106-08806-00	BOLT .....	1	
13	95707-08500-00	NUT, FLANGE .....	1	
14	90384-14080-00	BUSH, BIMETAL .....	2	
15	93210-14104-00	O-RING .....	4	
16	90105-08878-00	BOLT, FLANGE .....	3	
17	90506-26282-00	SPRING, TENSION .....	1	
18	95807-06025-00	BOLT, FLANGE .....	1	
19	95707-06500-00	NUT, FLANGE .....	1	
20	90387-068T4-00	COLLAR .....	1	

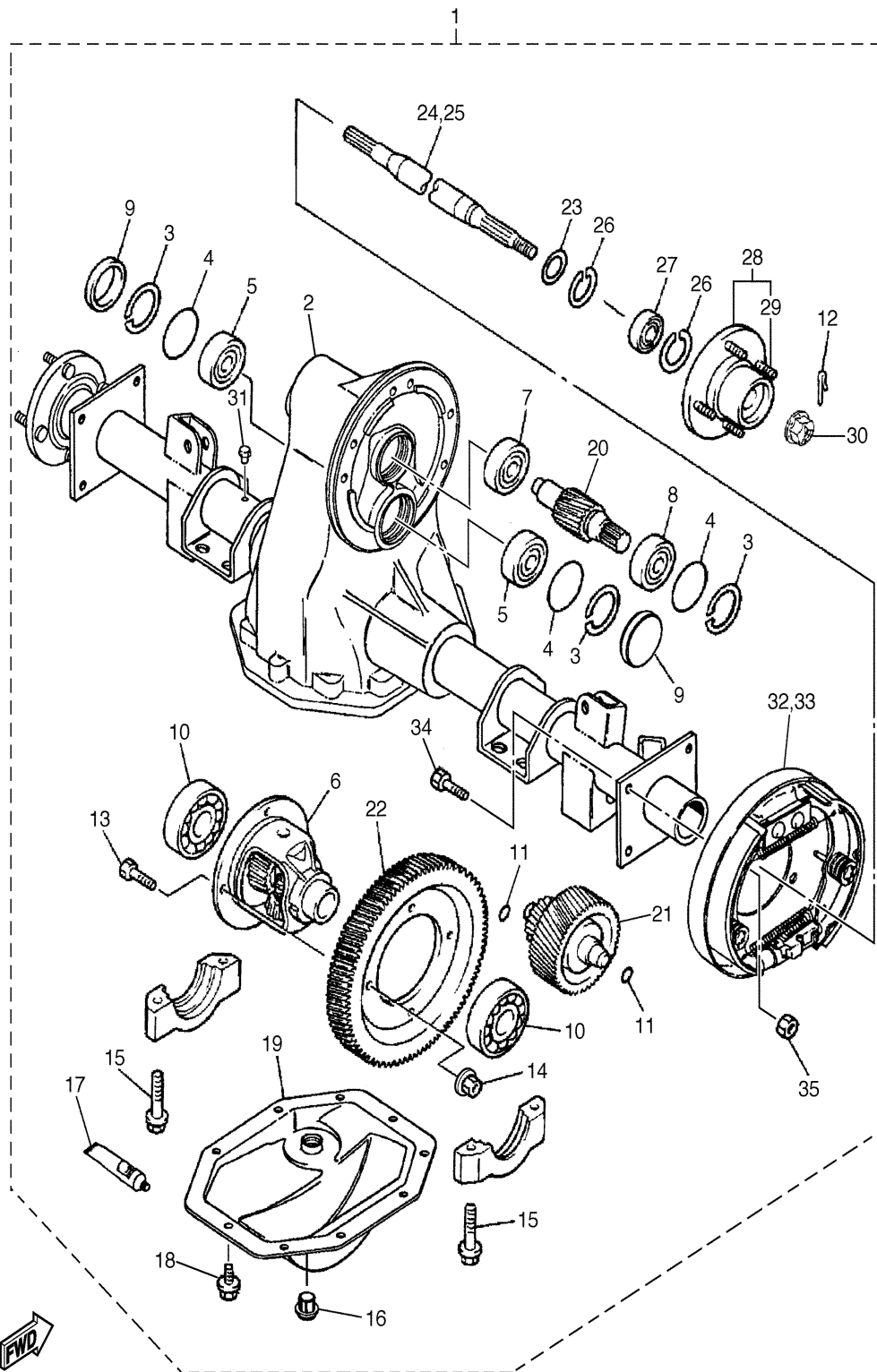
## CONTENTS

ACCELERATOR	B2
BODY 1	B7-8
BODY 2	B9
BODY FITTING	B10
BRAKE 1	A10-11
BRAKE 2	A12
BRAKE 3	B1
BUMPER	B6
CARRIER	B11
CONTROLLER 1	C3-4
ELECTRIC MOTOR	C1
ELECTRICAL 1	C5-7
FRAME	A5
FRONT SUSPENSION WHEEL	A6-7
HEADLIGHT	C2
REAR ARM SUSPENSION	A4
REAR AXLE MOUNT WHEEL	B5
SEAT	B12
STEERING	A8-9
TRANSAXLE	B3-4
~MODELS IN THIS CATALOG	C8



JU2100-5080

# TRANSAXLE



Ref. No.	Part Number	Description	Qty	Remarks
1	JR1-G6300-05-00	TRANSAXLE ASSY	1	
2	JR1-G6310-20-00	. CASE ASSY	1	
3	93420-50804-00	. CIRCLIP	3	
4	93210-478B8-00	. O-RING	3	
5	93306-303Y6-00	. BEARING	2	
6	JN6-G6410-00-00	. DIFFERENTIAL ASSY.	1	
7	93306-203X1-00	. BEARING	1	
8	93306-005Y1-00	. BEARING	1	
9	JH7-G3396-01-00	. PLUG, BLIND	2	
10	93306-007Y0-00	. BEARING	2	
11	93210-148B9-00	. O-RING	2	
12	91490-25025-00	. PIN, COTTER	2	
13	90101-10854-00	. BOLT, HEX	4	
14	90170-10840-00	. NUT, HEX	4	
15	90105-10840-00	. BOLT, FLANGE	4	
16	JN3-G6432-00-00	. STOPPER	1	
17	ACC-11001-05-01	QUICK GASKET	1	NOT INCLUDED WITH TRANSAXLE ASSY
18	90101-08856-00	. BOLT, HEX	10	
19	JR1-G6312-11-00	. CASE, TRANSMISSION 2	1	
20	JH7-G6321-00-00	. SHAFT, INPUT	1	
21	JR1-G6350-00-00	. COUNTER GEAR ASSY	1	
22	JH7-G6421-00-00	. GEAR, RING	1	
23	93101-24822-00	. OIL SEAL	2	
24	JR1-G6512-00-00	. SHAFT, RR. AXLE, RIGHT	1	
25	JR1-G6511-00-00	. SHAFT, RR. AXLE, LEFT	1	
26	93420-44805-00	. CIRCLIP	4	
27	93306-004X5-00	. BEARING	2	
28	JN3-G6514-00-00	. HUB, REAR AXLE	2	
29	90114-12804-00	. BOLT, SERRATION	4	

## CONTENTS

ACCELERATOR	B2
BODY 1	B7-8
BODY 2	B9
BODY FITTING	B10
BRAKE 1	A10-11
BRAKE 2	A12
BRAKE 3	B1
BUMPER	B6
CARRIER	B11
CONTROLLER 1	C3-4
ELECTRIC MOTOR	C1
ELECTRICAL 1	C5-7
FRAME	A5
FRONT SUSPENSION WHEEL	A6-7
HEADLIGHT	C2
REAR ARM SUSPENSION	A4
REAR AXLE MOUNT WHEEL	B5
SEAT	B12
STEERING	A8-9
TRANSAXLE	B3-4
~MODELS IN THIS CATALOG	C8

CONTINUED ON NEXT FRAME ►



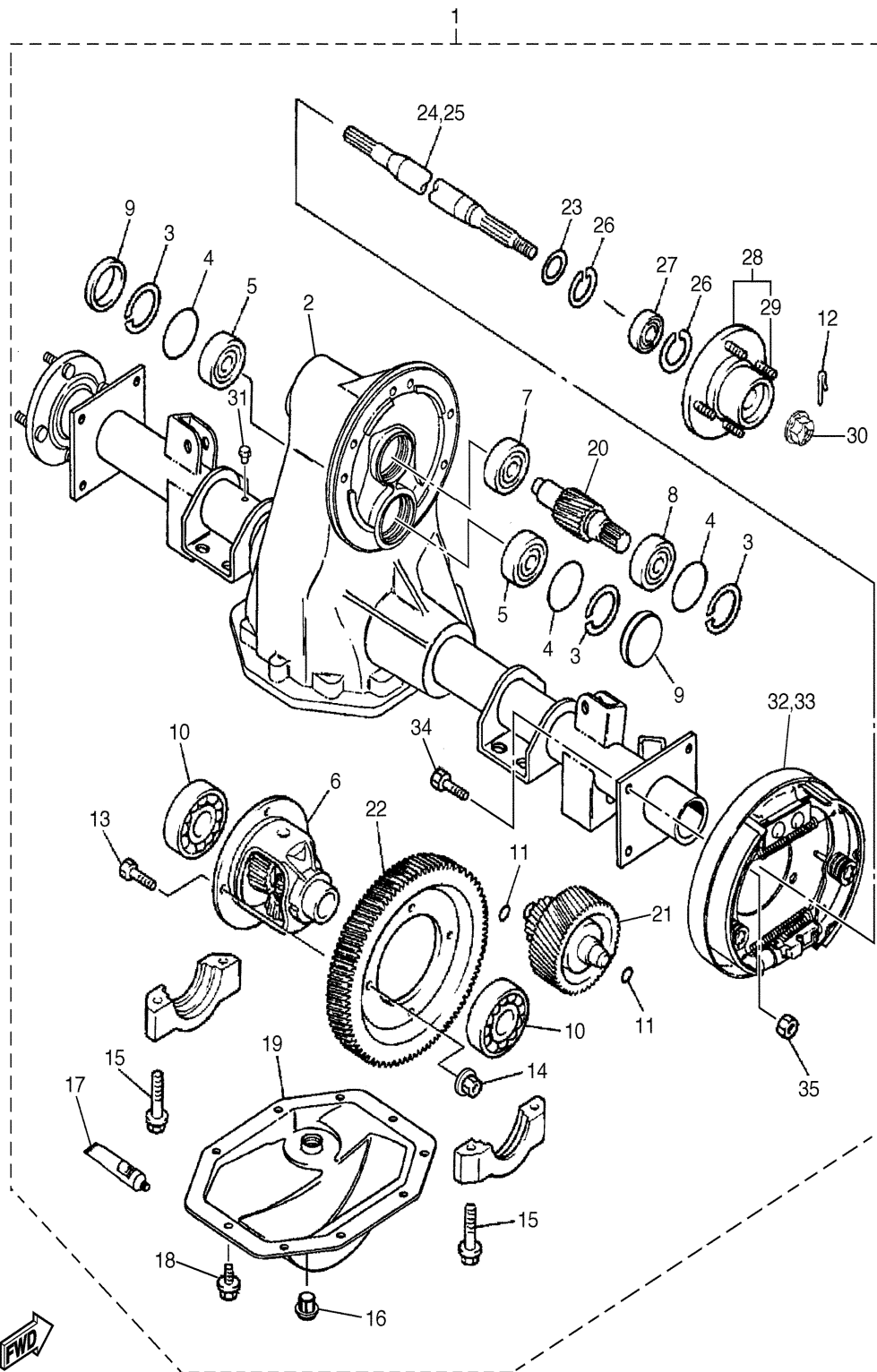
JU81110-C090

# TRANSAXLE

Ref. No.	Part Number	Description	Qty	Remarks
30	90185-16833-00	. NUT, SELF-LOCKING	2	
31	JH7-G5619-00-00	. CAP	1	
32	JN6-F7280-03-00	. BACKING PLATE, (RH)	1	SEE BRAKE 3 (R.H)
33	JN6-F7290-03-00	. BACKING PLATE, LEFT	1	SEE BRAKE 2 (L.H)
34	90101-08855-00	. BOLT, HEX	8	
35	90170-08841-00	. NUT, HEX	8	

## CONTENTS

ACCELERATOR	B2
BODY 1	B7-8
BODY 2	B9
BODY FITTING	B10
BRAKE 1	A10-11
BRAKE 2	A12
BRAKE 3	B1
BUMPER	B6
CARRIER	B11
CONTROLLER 1	C3-4
ELECTRIC MOTOR	C1
ELECTRICAL 1	C5-7
FRAME	A5
FRONT SUSPENSION WHEEL	A6-7
HEADLIGHT	C2
REAR ARM SUSPENSION	A4
REAR AXLE MOUNT WHEEL	B5
SEAT	B12
STEERING	A8-9
TRANSAXLE	B3-4
-MODELS IN THIS CATALOG	C8



JU81110-C090

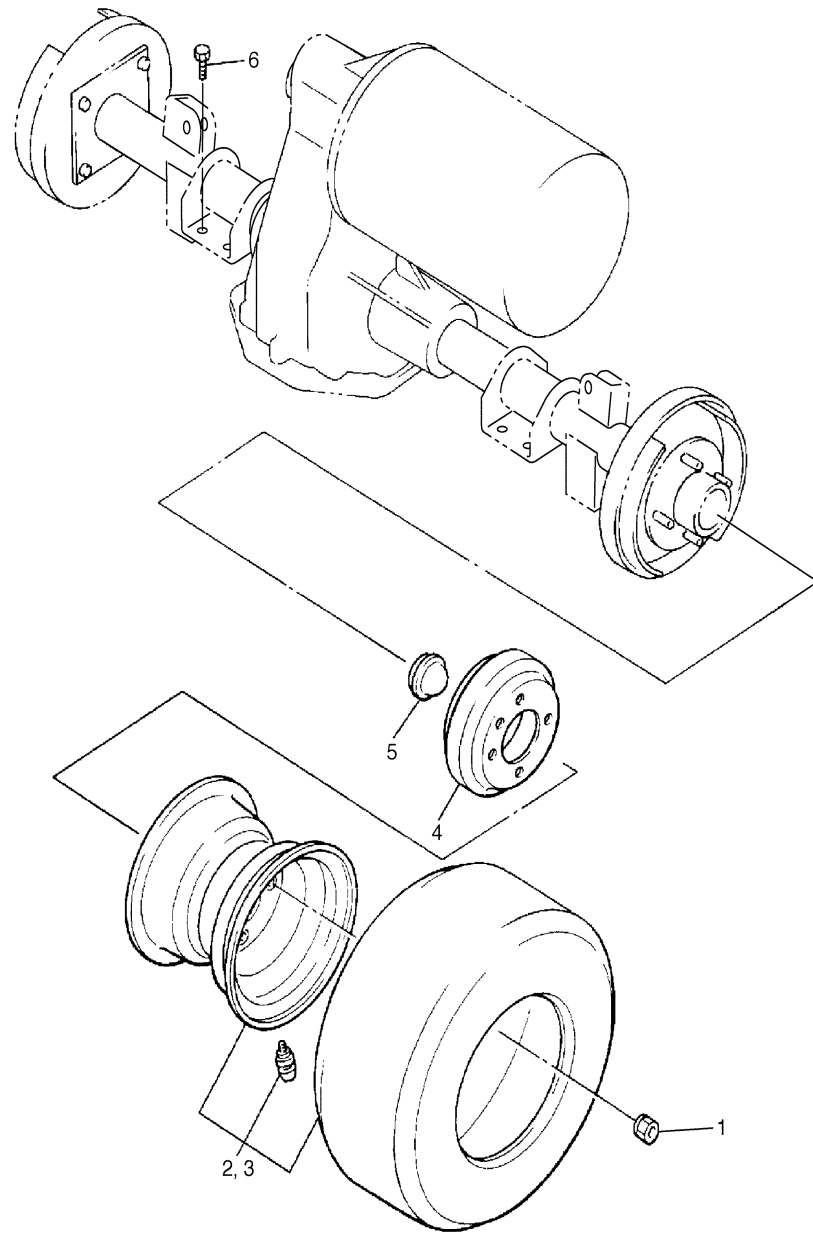


# REAR AXLE MOUNT WHEEL

Ref. No.	Part Number	Description	Qty	Remarks
1	90179-12262-00	NUT .....	8	
2	JU7-F5100-00-00	WHEEL ASSY (20X10-8 4PLY 224) .....	1	UR DURO TURF, LH
	JU7-F5100-10-00	WHEEL ASSY (20X10-8/4/244) .	1	UR DURO DESERT, LH
3	JU7-F5100-00-00	WHEEL ASSY (20X10-8 4PLY 224) .....	1	UR DURO TURF, RH
	JU7-F5109-10-00	WHEEL ASSY, 2 (20X10-8/4/244) .....	1	UR DURO DESERT, RH
4	J55-G6521-10-00	DRUM .....	2	
5	JN6-F5118-00-00	COVER, HUB DUST .....	2	
6	9751P-10620-00	BOLT, WITH WASHER .....	8	

## CONTENTS

ACCELERATOR	B2
BODY 1	B7-8
BODY 2	B9
BODY FITTING	B10
BRAKE 1	A10-11
BRAKE 2	A12
BRAKE 3	B1
BUMPER	B6
CARRIER	B11
CONTROLLER 1	C3-4
ELECTRIC MOTOR	C1
ELECTRICAL 1	C5-7
FRAME	A5
FRONT SUSPENSION WHEEL	A6-7
HEADLIGHT	C2
REAR ARM SUSPENSION	A4
REAR AXLE MOUNT WHEEL	B5
SEAT	B12
STEERING	A8-9
TRANSAXLE	B3-4
-MODELS IN THIS CATALOG	C8



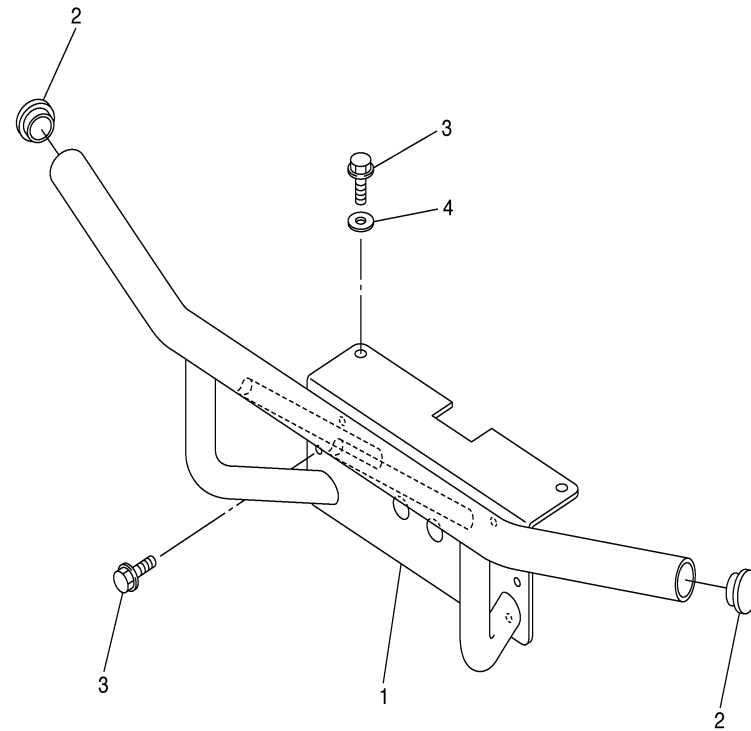
JU81110-C100

# BUMPER

Ref. No.	Part Number	Description	Qty	Remarks
1	JU7-F845N-00-00	BAR, CARRY FRONT .....	1	
2	5UG-F2417-00-00	PLUG .....	2	
3	9581P-08016-00	BOLT, FLANGE .....	6	
4	90201-088P7-00	WASHER, PLATE .....	2	

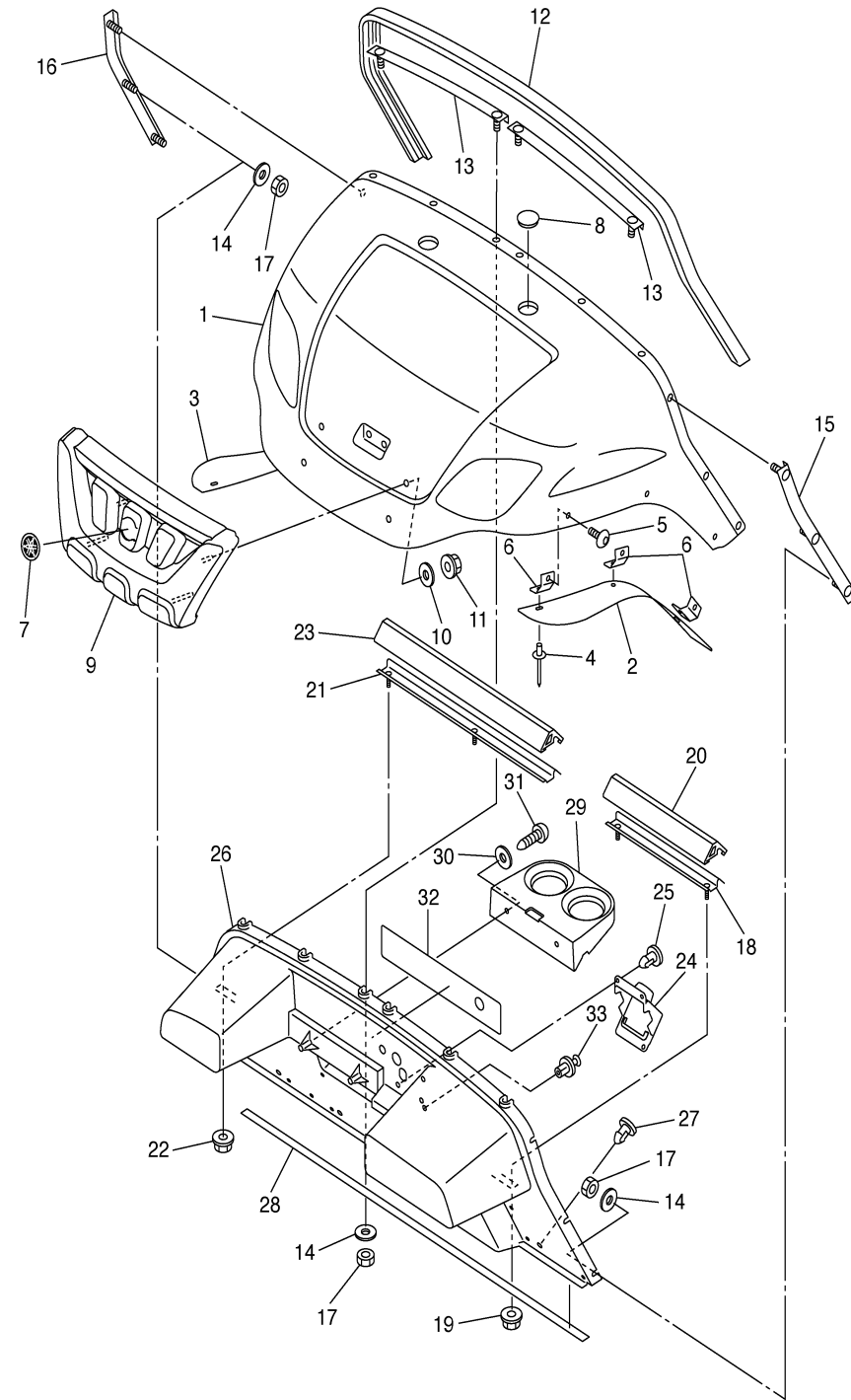
## CONTENTS

ACCELERATOR	B2
BODY 1	B7-8
BODY 2	B9
BODY FITTING	B10
BRAKE 1	A10-11
BRAKE 2	A12
BRAKE 3	B1
BUMPER	B6
CARRIER	B11
CONTROLLER 1	C3-4
ELECTRIC MOTOR	C1
ELECTRICAL 1	C5-7
FRAME	A5
FRONT SUSPENSION WHEEL	A6-7
HEADLIGHT	C2
REAR ARM SUSPENSION	A4
REAR AXLE MOUNT WHEEL	B5
SEAT	B12
STEERING	A8-9
TRANSAXLE	B3-4
-MODELS IN THIS CATALOG	C8



JU71110-C260

# BODY 1



NOTE A: WHEN REPLACING "PANEL, FRONT JU8-K8114-00-00", YOU MUST ALSO REPLACE "LABEL, WARNING 1 JU8-K7761-00-00".

Ref. No.	Part Number	Description	Qty	Remarks
1	JU7-K811A-00-00	COWL, FRONT	1	
2	JR6-F1551-00-00	FENDER, OVER	1	
3	JR6-F1555-00-00	FENDER, OVER 2	1	
4	90267-48831-00	RIVET, BLIND (90267-48101-00)	6	
5	90110-06836-00	BOLT, HEXAGON SOCKET HEAD	6	
6	JR6-F1546-00-00	STAY, FENDER 3	6	
7	5FU-F175B-01-00	TUNING FORK MARK	1	
8	JN3-K818E-00-00	CAP, PROTECTOR	2	
9	JU7-K8217-00-00	GRILLE, FRONT	1	
10	90201-05800-00	WASHER, PLATE	4	
11	95607-05200-00	NUT, U FLANGE	4	
12	JF2-K811V-00-00	PROTECTOR	1	
13	JU0-K8261-00-00	PLATE, BODY PROTECT 1	2	
14	90201-06829-00	WASHER, PLATE	10	
15	JF2-K8262-01-00	PLATE, BODY PROTECTOR	1	
16	JF2-K8263-01-00	PLATE, BODY PROTECTOR	1	
17	90185-06836-00	NUT, SELF-LOCKING	10	
18	JF2-K8264-00-00	PLATE, BODY PROTECTOR	1	
19	9560P-06200-00	NUT, FLANGE	2	
20	JF2-K811W-00-00	PROTECTOR 2	1	
21	JF2-K8265-00-00	PLATE, BODY PROTECTOR 5	1	
22	9560P-06200-00	NUT, FLANGE	2	
23	JF2-K811X-00-00	PROTECTOR 3	1	
24	JF2-78273-01-00	COVER, HOLE	1	
25	90269-11042-00	RIVET	3	
26	JU8-K8114-00-00	PANEL, FRONT	1	SEE NOTE A
27	90269-08066-00	RIVET	3	
28	JN3-K815G-00-00	SEAL, FRONT STORAGE	1	
29	JF2-K835E-00-00	HOLDER, BEVERAGE	1	

## CONTENTS

ACCELERATOR	B2
BODY 1	B7-8
BODY 2	B9
BODY FITTING	B10
BRAKE 1	A10-11
BRAKE 2	A12
BRAKE 3	B1
BUMPER	B6
CARRIER	B11
CONTROLLER 1	C3-4
ELECTRIC MOTOR	C1
ELECTRICAL 1	C5-7
FRAME	A5
FRONT SUSPENSION WHEEL	A6-7
HEADLIGHT	C2
REAR ARM SUSPENSION	A4
REAR AXLE MOUNT WHEEL	B5
SEAT	B12
STEERING	A8-9
TRANSAXLE	B3-4
~MODELS IN THIS CATALOG	C8

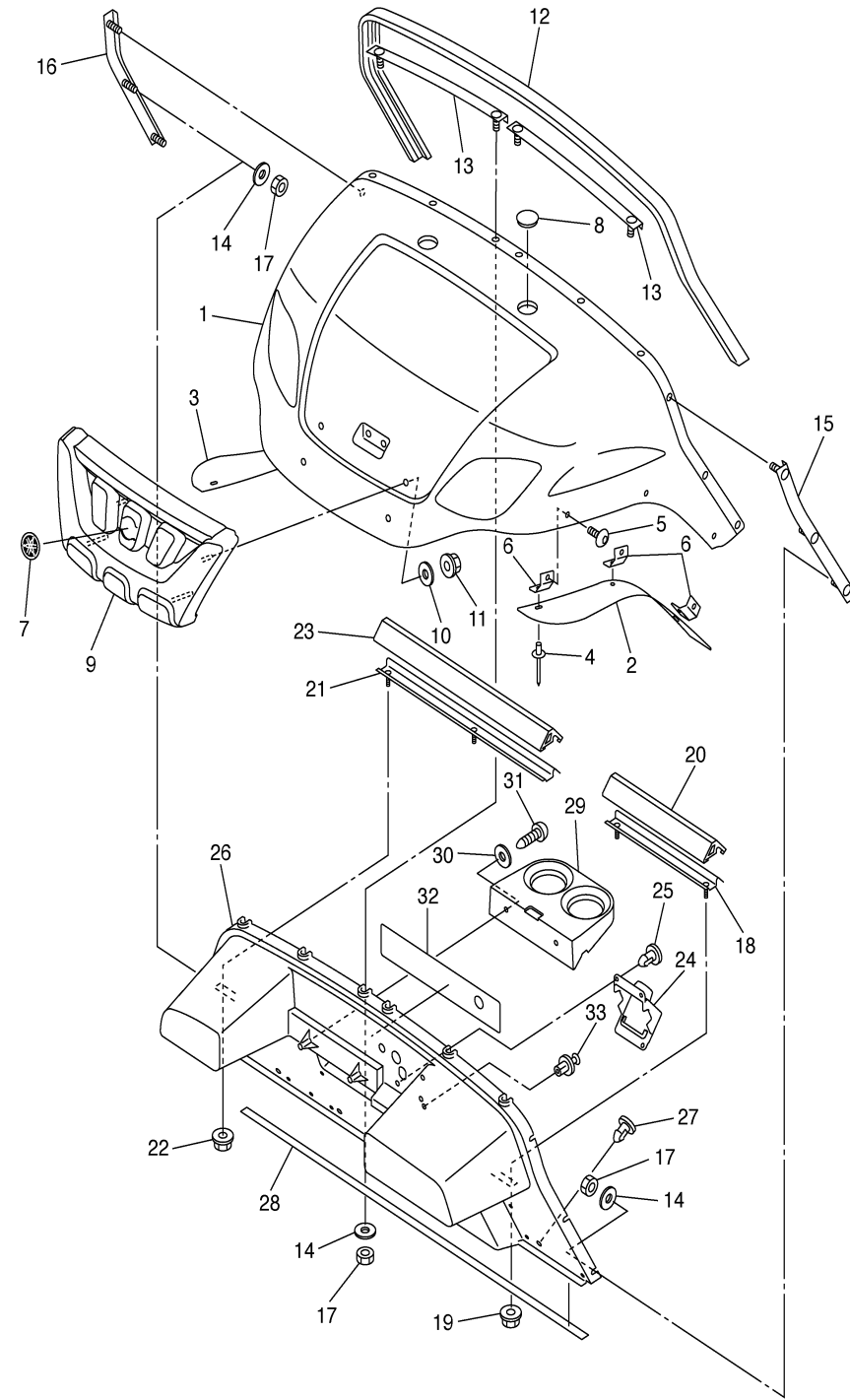
CONTINUED ON NEXT FRAME ►



JU71110-C270

G27EZ\_EZ\_EC

# BODY 1



Ref. No.	Part Number	Description	Qty	Remarks
30	90201-068R6-00	WASHER, PLATE .....	2	
31	9770P-60130-00	SCREW, TAPPING .....	2	
32	JU8-K7761-00-00	LABEL, WARNING 1 .....	1	SEE NOTE A
33	90269-08069-00	RIVET .....	2	

## CONTENTS

ACCELERATOR	B2
BODY 1	B7-8
BODY 2	B9
BODY FITTING	B10
BRAKE 1	A10-11
BRAKE 2	A12
BRAKE 3	B1
BUMPER	B6
CARRIER	B11
CONTROLLER 1	C3-4
ELECTRIC MOTOR	C1
ELECTRICAL 1	C5-7
FRAME	A5
FRONT SUSPENSION WHEEL	A6-7
HEADLIGHT	C2
REAR ARM SUSPENSION	A4
REAR AXLE MOUNT WHEEL	B5
SEAT	B12
STEERING	A8-9
TRANSAXLE	B3-4
-MODELS IN THIS CATALOG	C8

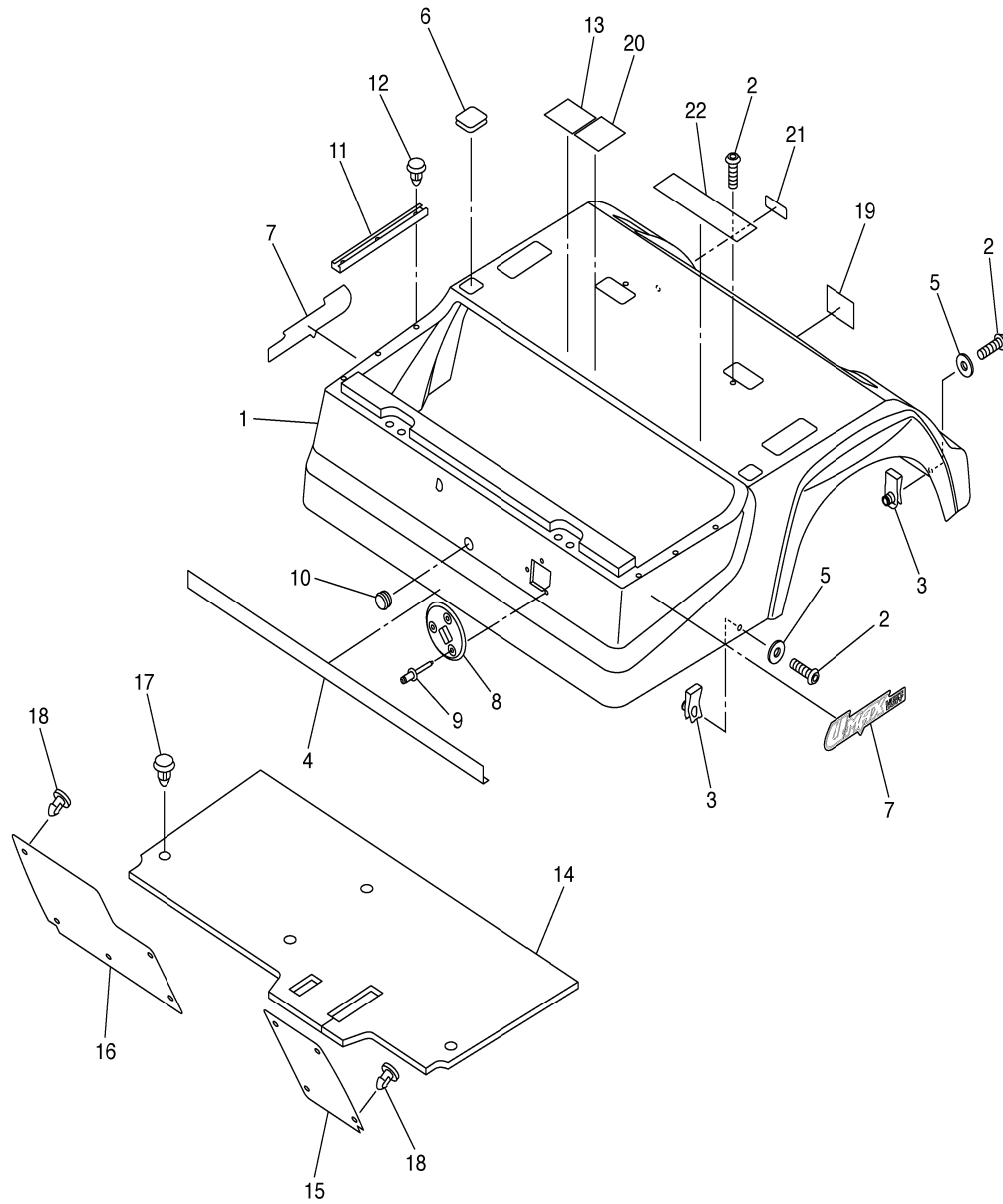
NOTE A: WHEN REPLACING "PANEL, FRONT JU8-K8114-00-00", YOU MUST ALSO REPLACE "LABEL, WARNING 1 JU8-K7761-00-00".



JU71110-C270

G27EZ\_EZ\_EC

# BODY 2



Ref. No.	Part Number	Description	Qty	Remarks
1	JU8-K8142-00-00	PANEL, REAR BODY	1	SEE NOTE A
2	90110-06836-00	BOLT, HEXAGON SOCKET HEAD	6	
3	90183-06811-00	NUT, SPRING	4	
4	JN6-K824E-00-00	TRIM, REAR BODY	1	
5	90201-068R6-00	WASHER, PLATE	4	
6	JU7-K8363-00-00	PROTECTOR	2	
7	JU7-F1781-00-00	EMBLEM 1	2	
8	JN4-K827A-00-00	GUIDE 1	1	
9	90267-60840-00	RIVET, BLIND	3	
10	90338-25836-00	PLUG	1	
11	JU7-K8425-00-00	SEAL, SEAT	2	
12	90338-05834-00	PLUG	6	
13	JU2-K7765-00-00	LABEL, WARNING 5	1	SEE NOTE A
14	JN6-K8233-01-00	MAT, MAIN FLOOR 3	1	
15	JN6-K8231-01-00	MAT, MAIN FLOOR 1	1	
16	JN6-K8232-01-00	MAT, MAIN FLOOR 2	1	
17	90269-08813-00	RIVET	4	
18	90267-63047-00	RIVET, BLIND	9	
19	JU7-K7768-00-00	LABEL, WARNING	1	SEE NOTE A
20	JU7-F1696-00-00	LABEL, CAUTION	1	SEE NOTE A
21	JJ3-K7765-00-00	LABEL, WARNING 5	1	SEE NOTE A
22	JN4-K8297-10-00	PLATE, CAUTION 1	1	SEE NOTE A

## CONTENTS

ACCELERATOR	B2
BODY 1	B7-8
BODY 2	B9
BODY FITTING	B10
BRAKE 1	A10-11
BRAKE 2	A12
BRAKE 3	B1
BUMPER	B6
CARRIER	B11
CONTROLLER 1	C3-4
ELECTRIC MOTOR	C1
ELECTRICAL 1	C5-7
FRAME	A5
FRONT SUSPENSION WHEEL	A6-7
HEADLIGHT	C2
REAR ARM SUSPENSION	A4
REAR AXLE MOUNT WHEEL	B5
SEAT	B12
STEERING	A8-9
TRANSAXLE	B3-4
~MODELS IN THIS CATALOG	C8

NOTE A: WHEN REPLACING "PANEL REAR BODY JU8-K8142-00-00", YOU MUST ALSO REPLACE "LABEL, WARNING 5 JU2-K7765-00-00", "LABEL, WARNING JU7-K7768-00-00", "LABEL, CAUTION JU7-F1696-00-00", "LABEL, WARNING 5 JJ3-K7765-00-00", AND "PLATE, CAUTION 1 JN4-K8297-10-00".



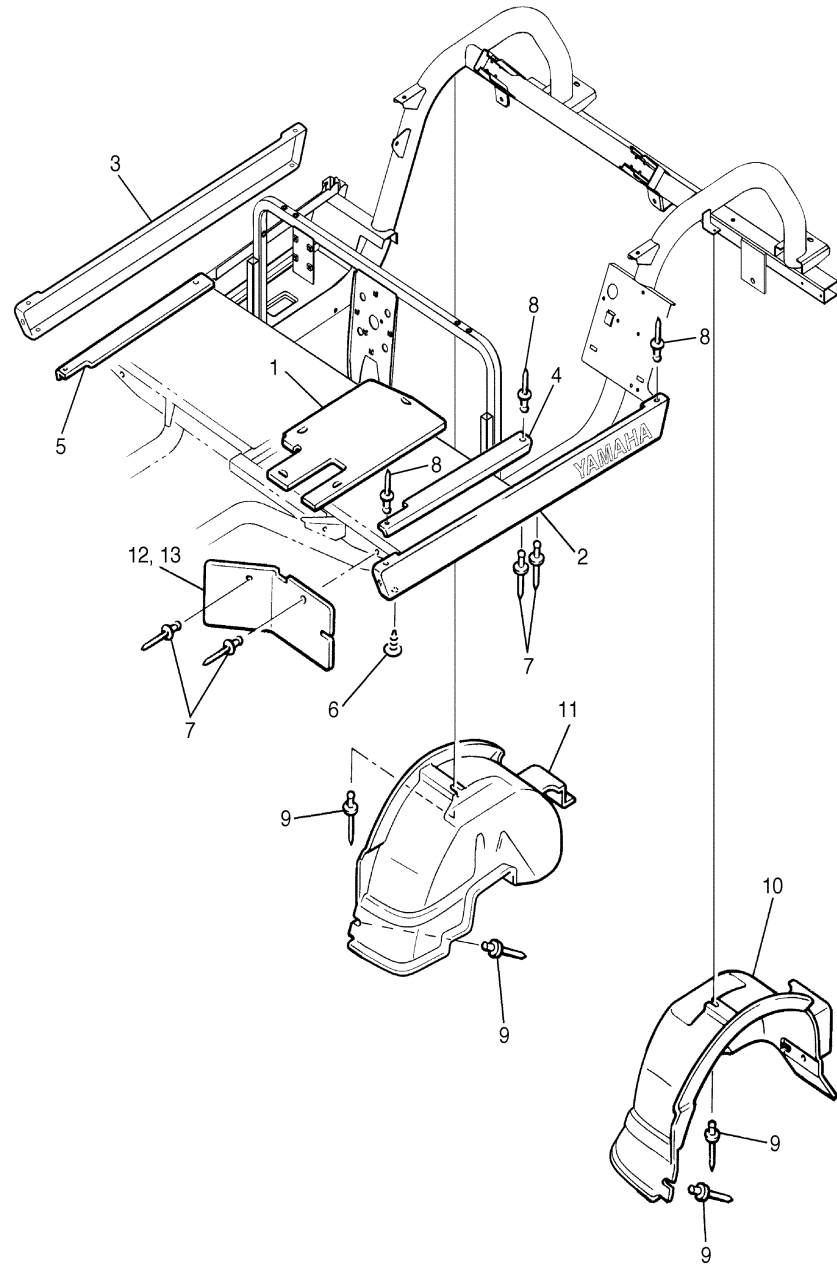
JU81110-C130

# BODY FITTING

Ref. No.	Part Number	Description	Qty	Remarks
1	JN6-K8271-00-00	SERVICE LID	1	
2	JU0-K818A-00-00	PROTECTOR, SIDE PLATE	1	
3	JU0-K818B-00-00	PROTECTOR, SIDE PLATE 2	1	
4	JF2-K8215-10-00	PLATE, SIDE TRIM	1	
5	JF2-K821F-10-00	PLATE, SIDE TRIM	1	
6	90338-05829-00	PLUG	4	
7	90267-48831-00	RIVET, BLIND (90267-48101-00)	8	
8	90267-48154-00	RIVET, BLIND	6	
9	90267-48086-00	RIVET, BLIND	4	
10	JF2-K8191-01-00	PANEL, REAR FENDER 1	1	
11	JF2-K8192-01-00	PANEL, REAR FENDER 2	1	
12	JF2-K8187-00-00	FLAP, FRONT FENDER LEFT	1	
13	JF2-K8189-00-00	FLAP, FRONT FENDER RIGHT	1	

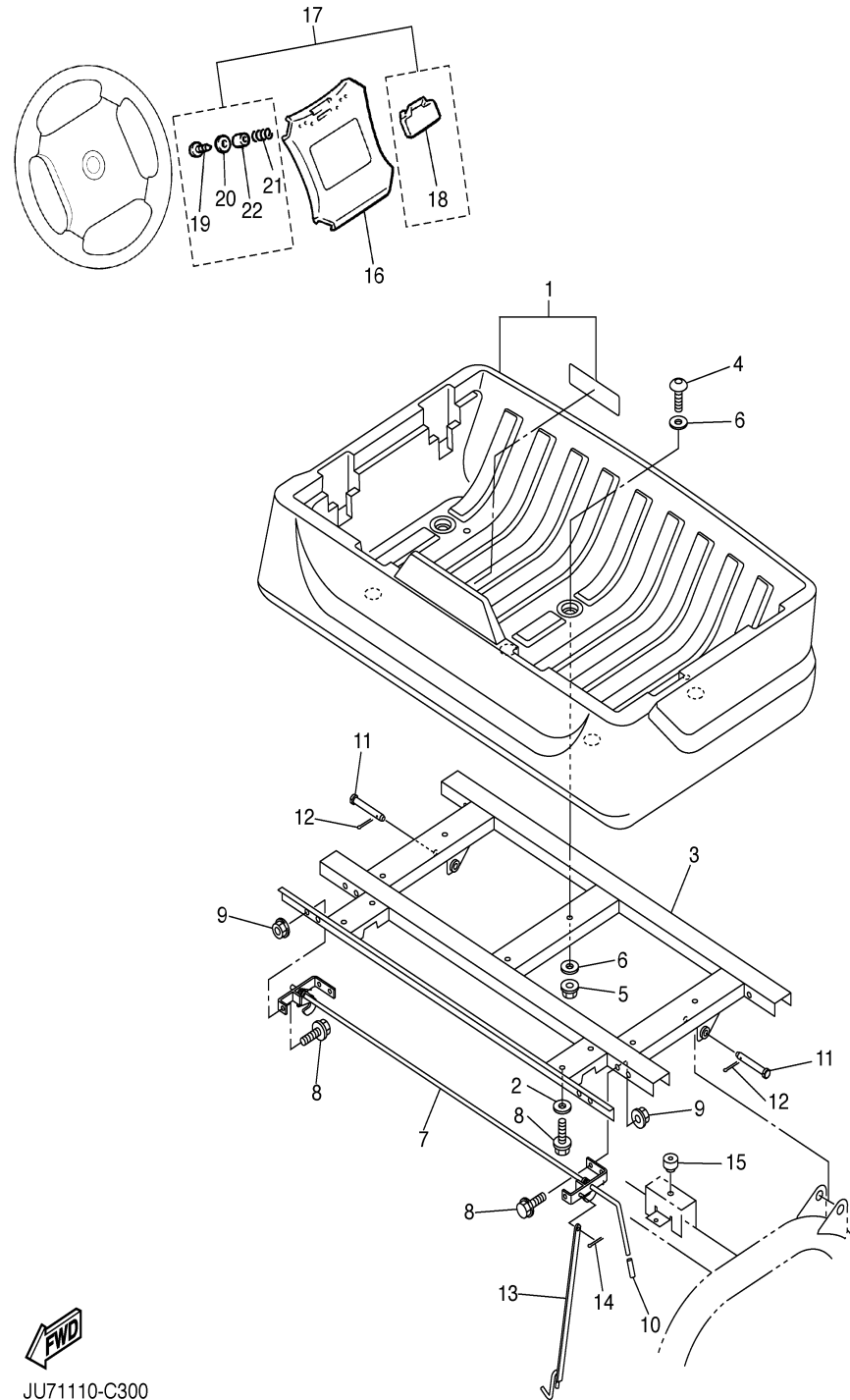
## CONTENTS

ACCELERATOR	B2
BODY 1	B7-8
BODY 2	B9
BODY FITTING	B10
BRAKE 1	A10-11
BRAKE 2	A12
BRAKE 3	B1
BUMPER	B6
CARRIER	B11
CONTROLLER 1	C3-4
ELECTRIC MOTOR	C1
ELECTRICAL 1	C5-7
FRAME	A5
FRONT SUSPENSION WHEEL	A6-7
HEADLIGHT	C2
REAR ARM SUSPENSION	A4
REAR AXLE MOUNT WHEEL	B5
SEAT	B12
STEERING	A8-9
TRANSAXLE	B3-4
-MODELS IN THIS CATALOG	C8



JW41110-C290

# CARRIER



Ref. No.	Part Number	Description	Qty	Remarks
1	JU7-K819J-00-00	SHELL, RR. STORAGE BOX ..	1	
2	90201-088P7-00	WASHER, PLATE .....	2	
3	JU7-K818N-00-00	BED, BOX .....	1	
4	92017-10035-00	BOLT, BUTTON HEAD .....	6	
5	9560P-10200-00	NUT, FLANGE .....	6	
6	90201-10830-00	WASHER, PLATE .....	12	
7	JU7-K8380-00-00	LOCK ASSY .....	1	
8	9582P-08020-00	BOLT, FLANGE .....	8	
9	9560P-08200-00	NUT .....	6	
10	JJ3-K818M-00-00	CAP, PROTECTOR END 4 ....	1	
11	90240-13801-00	PIN, CLEVIS .....	2	
12	91401-30025-00	PIN, SPLIT .....	2	
13	JU7-K8158-00-00	ROD, INSPECTION LID .....	1	
14	91401-20020-00	PIN, COTTER .....	1	
15	4XE-F4747-00-00	DAMPER, SEAT .....	2	
16	JN3-K8357-00-00	HOLDER .....	1	
17	JN6-W001D-00-00	SCORE CARD HOLDER KIT ..	1	
18	JN6-K8358-01-00	. HOLDER, 2 .....	1	
19	97707-40525-00	. SCREW, PAN HEAD .....	2	
20	90201-048R5-00	. WASHER, PLATE .....	2	
21	90502-10013-00	. SPRING, CONICAL .....	2	
22	90387-046N7-00	. COLLAR .....	2	

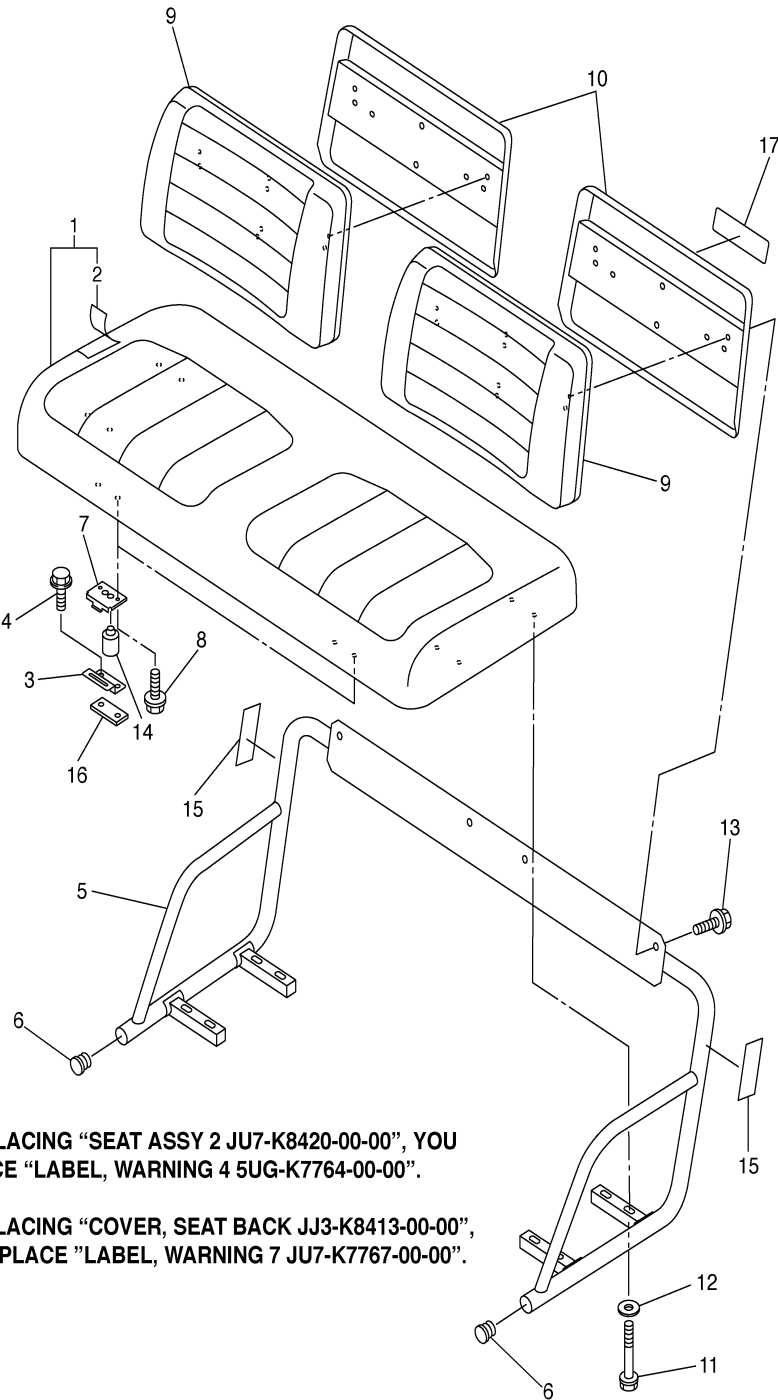
## CONTENTS

ACCELERATOR	B2
BODY 1	B7-8
BODY 2	B9
BODY FITTING	B10
BRAKE 1	A10-11
BRAKE 2	A12
BRAKE 3	B1
BUMPER	B6
CARRIER	B11
CONTROLLER 1	C3-4
ELECTRIC MOTOR	C1
ELECTRICAL 1	C5-7
FRAME	A5
FRONT SUSPENSION WHEEL	A6-7
HEADLIGHT	C2
REAR ARM SUSPENSION	A4
REAR AXLE MOUNT WHEEL	B5
SEAT	B12
STEERING	A8-9
TRANSAXLE	B3-4
-MODELS IN THIS CATALOG	C8



JU71110-C300

# SEAT



NOTE A: WHEN REPLACING "SEAT ASSY 2 JU7-K8420-00-00", YOU MUST ALSO REPLACE "LABEL, WARNING 4 5UG-K7764-00-00".

NOTE B: WHEN REPLACING "COVER, SEAT BACK JJ3-K8413-00-00", YOU MUST ALSO REPLACE "LABEL, WARNING 7 JU7-K7767-00-00".

Ref. No.	Part Number	Description	Qty	Remarks
1	JU7-K8401-10-00	SEAT SUB-ASSY, CUSHION ..	1	
2	JU7-K8404-00-00	. COVER, SEAT .....	1	
3	JF2-K8427-00-00	HINGE, SEAT FEMALE .....	2	
4	90105-06903-00	BOLT, WASHER BASED .....	4	
5	JU7-K8420-00-00	SEAT ASSY 2 .....	1	SEE NOTE A
6	JU7-F111A-00-00	CAP, MAIN PIPE .....	2	
7	JN3-K8426-02-00	HINGE, SEAT 1 .....	2	
8	90119-069UD-00	BOLT, WITH WASHER .....	4	
9	JU7-K8402-00-00	SEAT SUB ASSY, BACK .....	2	
10	JJ3-K8413-10-00	COVER, SEAT BACK .....	2	SEE NOTE B
11	90119-069UW-00	BOLT, WITH WASHER .....	8	
12	90201-068G0-00	WASHER, PLAIN .....	8	
13	90119-06837-00	BOLT, WITH WASHER .....	4	
14	JU7-F4747-00-00	DAMPER, SEAT .....	2	
15	5UG-K7764-00-00	LABEL, WARNING 4 .....	2	SEE NOTE A
16	JU7-K8478-10-00	WASHER, PLATE .....	2	
17	JU7-K7767-00-00	LABEL, WARNING 7 .....	1	SEE NOTE B

## CONTENTS

ACCELERATOR	B2
BODY 1	B7-8
BODY 2	B9
BODY FITTING	B10
BRAKE 1	A10-11
BRAKE 2	A12
BRAKE 3	B1
BUMPER	B6
CARRIER	B11
CONTROLLER 1	C3-4
ELECTRIC MOTOR	C1
ELECTRICAL 1	C5-7
FRAME	A5
FRONT SUSPENSION WHEEL	A6-7
HEADLIGHT	C2
REAR ARM SUSPENSION	A4
REAR AXLE MOUNT WHEEL	B5
SEAT	B12
STEERING	A8-9
TRANSAXLE	B3-4
-MODELS IN THIS CATALOG	C8

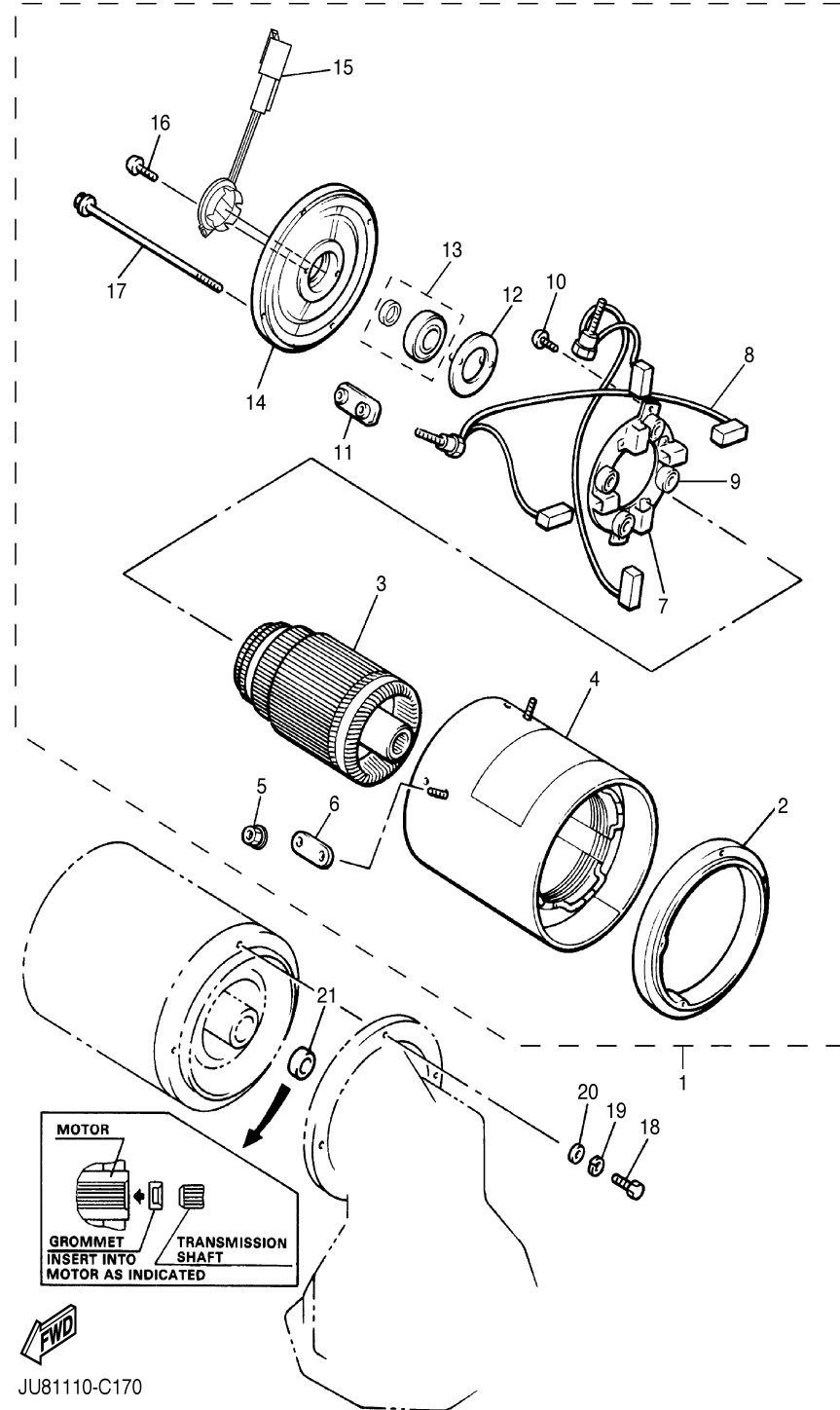


JW41110-C310

G27EZ\_EZ\_EC



# ELECTRIC MOTOR



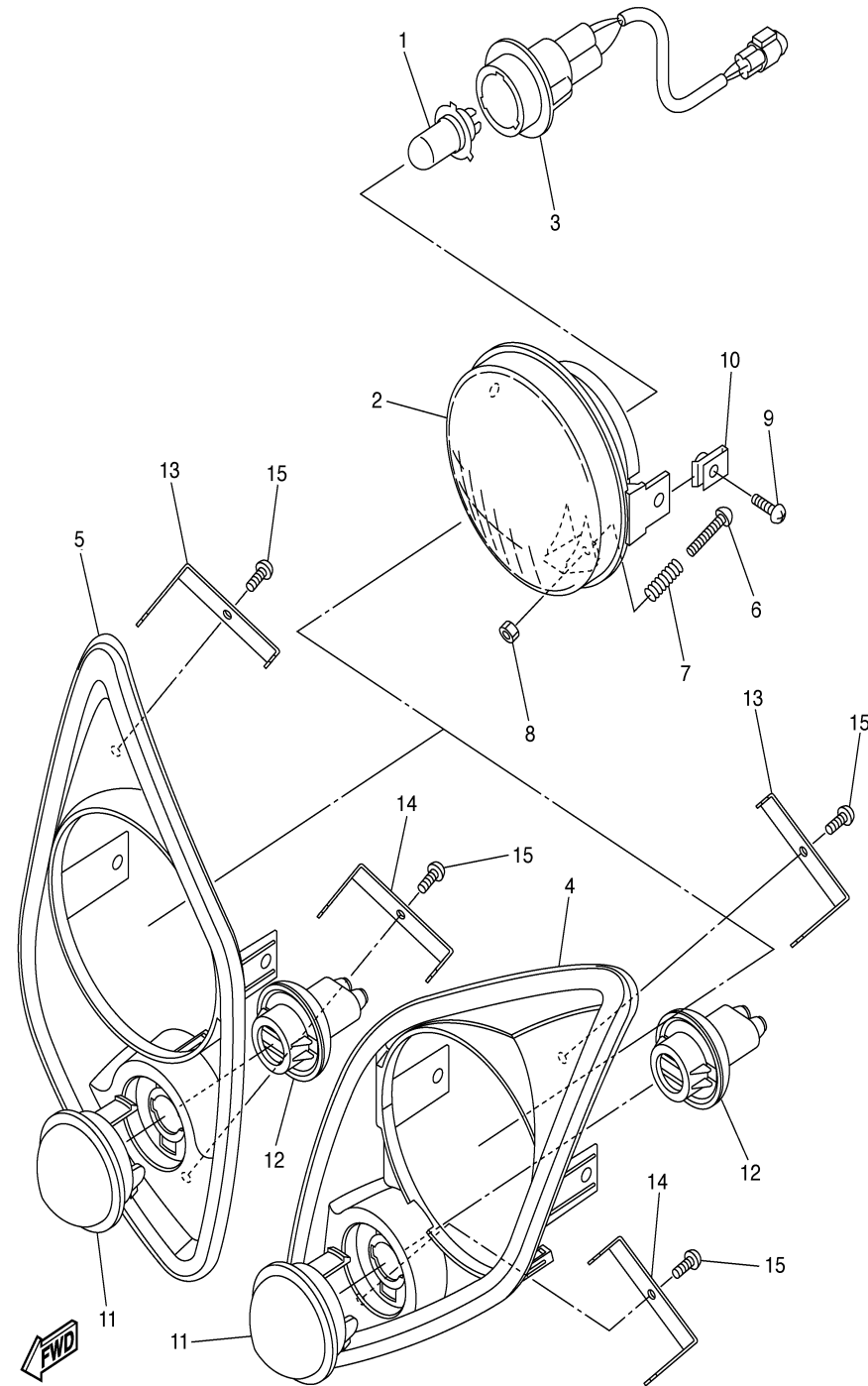
JU81110-C170

Ref. No.	Part Number	Description	Qty	Remarks
1	JU2-H1890-00-00	MOTOR ASSY	1	
2	JH7-H183J-00-00	. BRACKET, FRONT	1	
3	JU2-H1850-00-00	. ARMATURE ASSY	1	
4	JU2-H1160-00-00	. FIELD COIL ASSY	1	
5	JH7-H1872-00-00	. NUT, SPECIAL	4	
6	J51-H1843-00-00	. WASHER 1	2	
7	JU2-H1840-00-00	. BRUSH HOLDER ASSY	1	
8	JU2-H1801-00-00	. BRUSH SET	1	
9	JU2-H1617-00-00	. SPRING, BRUSH	1	
10	JH7-H1848-00-00	. SCREW, BRUSH HOLDER	2	
11	JG6-H1824-00-00	. WASHER 2	2	
12	JH7-H1856-10-00	. RETAINER	1	
13	JU2-H185B-00-00	. BEARING 1, MAGNET KIT	1	W/PICKUP MAGNET
14	JU2-H1822-00-00	. BRACKET, STARTING MOTOR	1	
15	JU2-H1670-00-00	. PICK-UP ASSY	1	
16	JH7-H1846-00-00	. SCREW	2	
17	JR1-H1828-00-00	. BOLT 2	4	
18	90101-06857-00	BOLT	3	
19	90215-06811-00	WASHER, LOCK	3	
20	90201-068E2-00	WASHER, PLATE	2	
21	JH7-H1829-00-00	GROMMET	1	

## CONTENTS

ACCELERATOR	B2
BODY 1	B7-8
BODY 2	B9
BODY FITTING	B10
BRAKE 1	A10-11
BRAKE 2	A12
BRAKE 3	B1
BUMPER	B6
CARRIER	B11
CONTROLLER 1	C3-4
ELECTRIC MOTOR	C1
ELECTRICAL 1	C5-7
FRAME	A5
FRONT SUSPENSION WHEEL	A6-7
HEADLIGHT	C2
REAR ARM SUSPENSION	A4
REAR AXLE MOUNT WHEEL	B5
SEAT	B12
STEERING	A8-9
TRANSAXLE	B3-4
-MODELS IN THIS CATALOG	C8

# HEADLIGHT



JU71110-C330

Ref. No.	Part Number	Description	Qty	Remarks
1	5FU-H4314-00-00	BULB, HEADLIGHT (12V-30/30W)	2	
2	5FU-H4320-00-00	LENS ASSY	2	
3	5FU-H4340-00-00	SOCKET CORD ASSY 1	2	
4	JU7-H411T-00-00	HOLDER, 1	1	LH ~JU8-300100
	JU7-H411T-02-00	HOLDER, 1	1	LH JU8-300101~
5	JU7-H411U-00-00	HOLDER, 2	1	RH ~JU8-300100
	JU7-H411U-02-00	HOLDER, 2	1	RH JU8-300101~
6	98507-03540-00	SCREW, PAN HEAD	2	
7	2GU-84332-00-00	SPRING, SCREW	2	JU8-300101~
	90501-10060-00	SPRING, SCREW	2	~JU8-300100
8	2GU-84334-00-00	NUT, ADJUSTING	2	
9	90150-05802-00	SCREW, ROUND HEAD	4	
10	90183-05008-00	NUT, SPRING	4	
11	JU7-H5415-00-00	MARK, SIGNAL LAMP	2	
12	JU7-H3547-00-00	COVER, SOCKET	2	
13	JU7-H4118-01-00	STAY, HEADLIGHT 1	2	
14	JU7-H4119-01-00	STAY, HEADLIGHT 2	2	
15	97707-40112-00	SCREW, TAPPING	4	

## CONTENTS

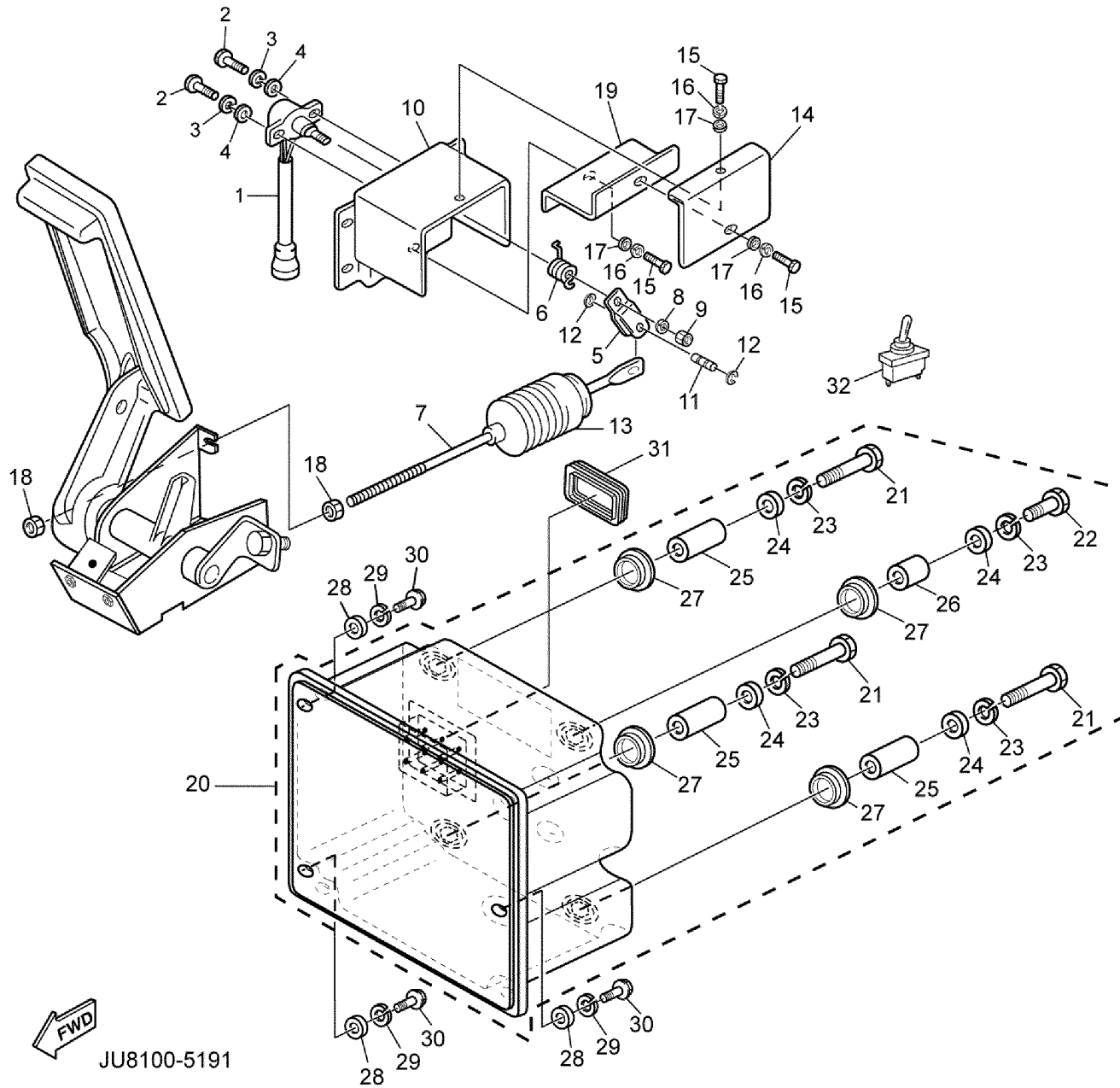
ACCELERATOR	B2
BODY 1	B7-8
BODY 2	B9
BODY FITTING	B10
BRAKE 1	A10-11
BRAKE 2	A12
BRAKE 3	B1
BUMPER	B6
CARRIER	B11
CONTROLLER 1	C3-4
ELECTRIC MOTOR	C1
ELECTRICAL 1	C5-7
FRAME	A5
FRONT SUSPENSION WHEEL	A6-7
HEADLIGHT	C2
REAR ARM SUSPENSION	A4
REAR AXLE MOUNT WHEEL	B5
SEAT	B12
STEERING	A8-9
TRANSAXLE	B3-4
~MODELS IN THIS CATALOG	C8

# CONTROLLER 1

Ref. No.	Part Number	Description	Qty	Remarks
1	JR1-85885-00-00	THROTTLE SENSOR ASSY ...	1	
2	98507-05016-00	SCREW, PAN HEAD .....	3	
3	92907-05100-00	WASHER, LOCK .....	3	
4	92907-05600-00	WASHER, PLATE .....	3	
5	JF3-2625H-00-00	ARM, THROTTLE .....	1	
6	JF3-27825-00-00	SPRING, RETURN .....	1	
7	JU2-F7241-00-00	ROD, JOINT .....	1	
8	9290P-06100-00	WASHER .....	1	
9	95307-06600-00	NUT, HEX .....	1	
10	JF3-27981-00-00	BRACKET, THROTTLE .....	1	
11	JF3-27813-00-00	PIN, PEDAL CRANK .....	1	
12	99001-04600-00	CIRCLIP (E) .....	2	
13	JN4-F7486-00-00	COVER, 1 .....	1	
14	JF3-27487-00-00	COVER 2 .....	1	
15	97007-05016-00	BOLT .....	6	
16	92907-05100-00	WASHER, LOCK .....	6	
17	92907-05600-00	WASHER, PLATE .....	6	
18	95307-08700-00	NUT, HEX .....	2	
19	JF3-27445-00-00	PLATE 1 .....	1	
20	JU2-H6510-00-00	MOTOR CONTROL UNIT ASSY	1	
21	JU2-H332G-00-00	. BOLT, SPECIAL 1 .....	3	
22	JU2-H332H-00-00	. BOLT, SPECIAL 2 .....	1	
23	JU2-H2534-00-00	. WASHER, LOCK .....	4	
24	JU2-H2558-00-00	. WASHER .....	4	
25	JU2-H252S-00-00	SPACER, 1 .....	3	
26	JU2-H253S-00-00	SPACER, 2 .....	1	
27	JU2-H6115-00-00	GROMMET .....	4	
28	92907-06600-00	WASHER, PLAIN .....	3	
29	92907-06100-00	WASHER, SPRING .....	3	
30	97007-06020-00	BOLT .....	3	

## CONTENTS

ACCELERATOR	B2
BODY 1	B7-8
BODY 2	B9
BODY FITTING	B10
BRAKE 1	A10-11
BRAKE 2	A12
BRAKE 3	B1
BUMPER	B6
CARRIER	B11
CONTROLLER 1	C3-4
ELECTRIC MOTOR	C1
ELECTRICAL 1	C5-7
FRAME	A5
FRONT SUSPENSION WHEEL	A6-7
HEADLIGHT	C2
REAR ARM SUSPENSION	A4
REAR AXLE MOUNT WHEEL	B5
SEAT	B12
STEERING	A8-9
TRANSAXLE	B3-4
-MODELS IN THIS CATALOG	C8



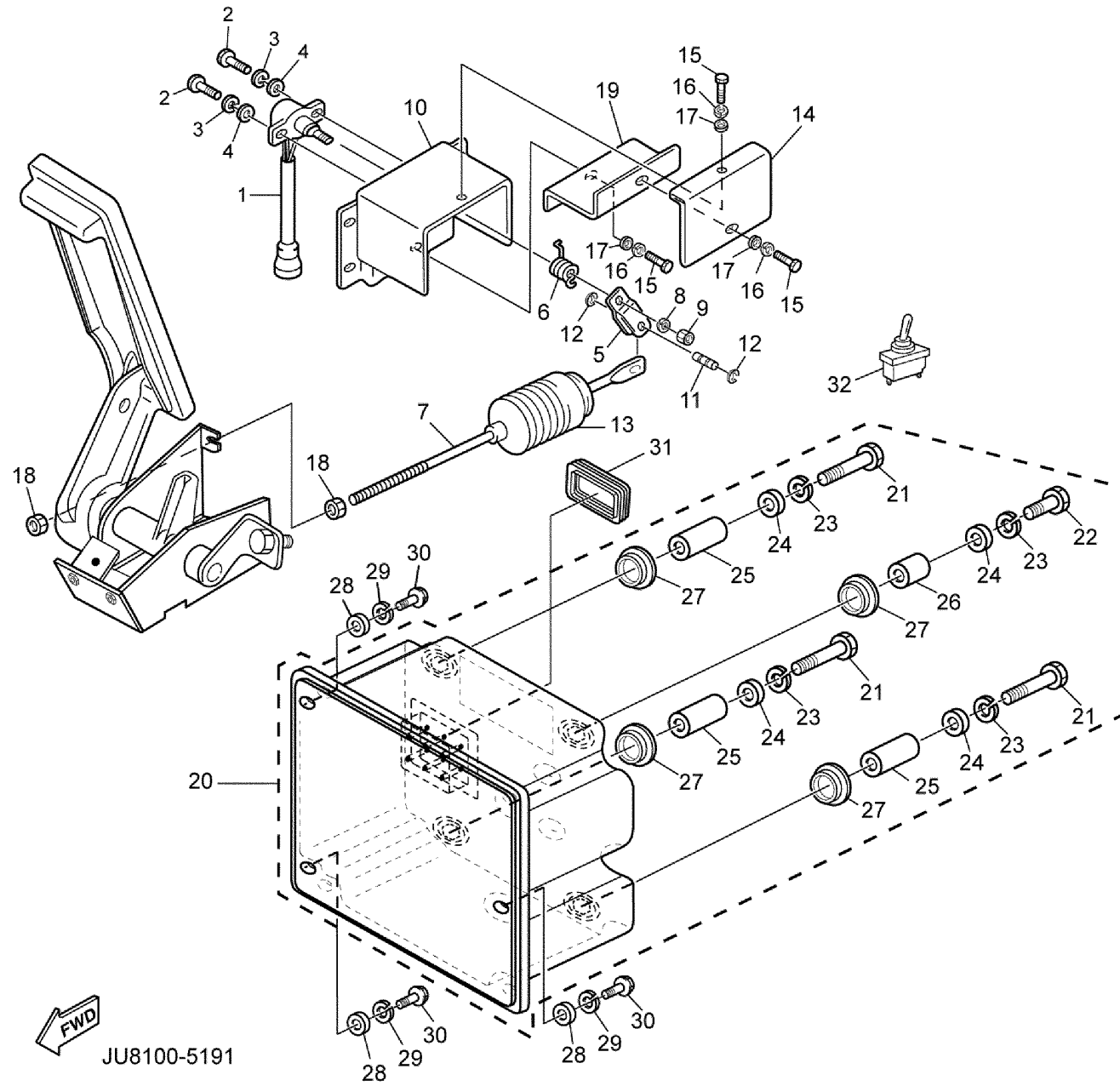
CONTINUED ON NEXT FRAME ►

# CONTROLLER 1

Ref. No.	Part Number	Description	Qty	Remarks
31	JR1-H215D-00-00	SEAL MCU, CANNON PLUG ..	1	
32	JR1-H2727-00-00	SWITCH, TOW/STORAGE ....	1	

## CONTENTS

ACCELERATOR	B2
BODY 1	B7-8
BODY 2	B9
BODY FITTING	B10
BRAKE 1	A10-11
BRAKE 2	A12
BRAKE 3	B1
BUMPER	B6
CARRIER	B11
CONTROLLER 1	C3-4
ELECTRIC MOTOR	C1
ELECTRICAL 1	C5-7
FRAME	A5
FRONT SUSPENSION WHEEL	A6-7
HEADLIGHT	C2
REAR ARM SUSPENSION	A4
REAR AXLE MOUNT WHEEL	B5
SEAT	B12
STEERING	A8-9
TRANSAXLE	B3-4
-MODELS IN THIS CATALOG	C8

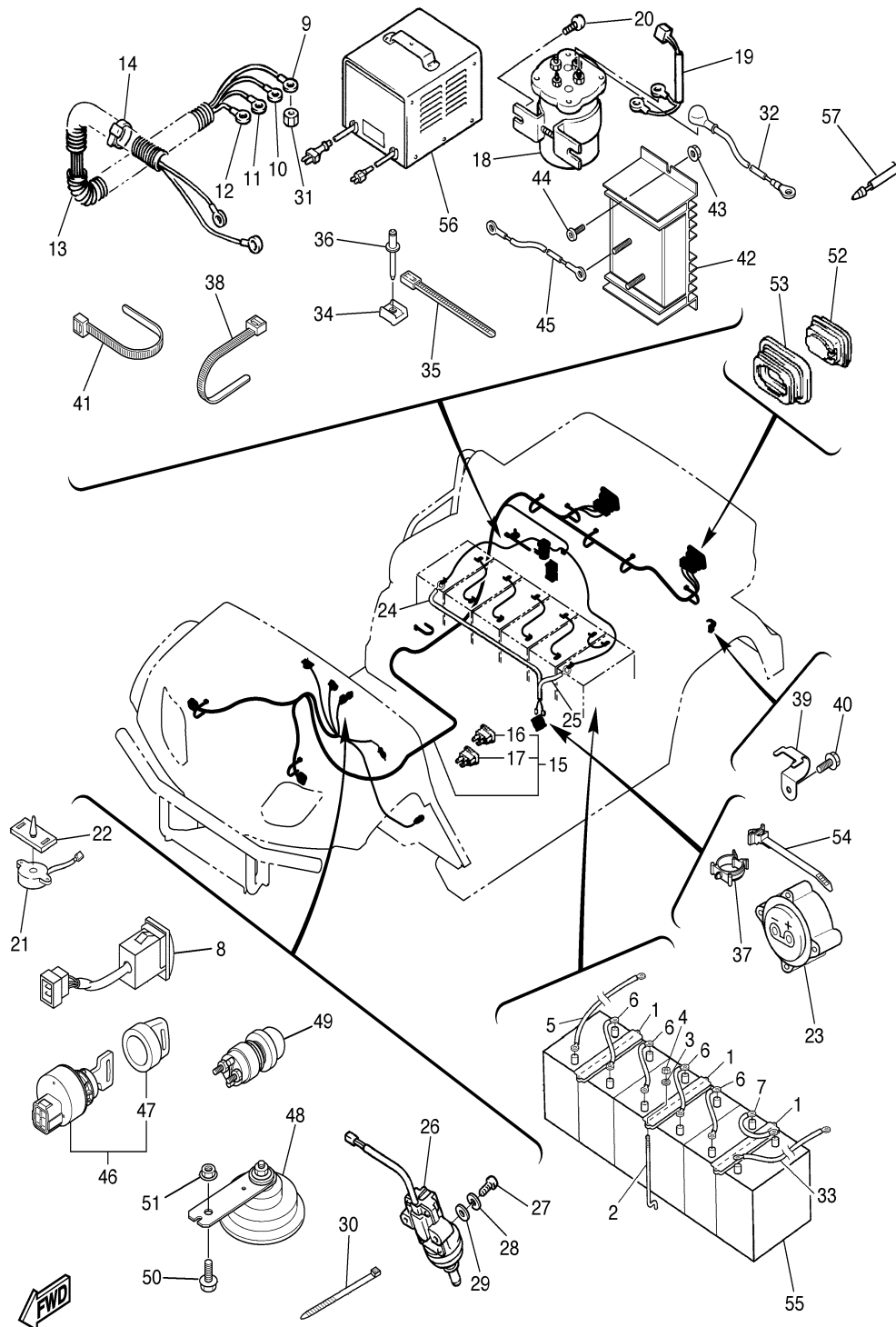


# ELECTRICAL 1

Ref. No.	Part Number	Description	Qty	Remarks
1	JF3-H2136-00-00	PLATE, BATTERY	3	
2	JN3-H2133-00-00	SCREW, FITTING	6	
3	90201-068R7-00	WASHER, PLATE	6	
4	95707-06500-00	NUT, FLANGE	6	
5	JU2-H2115-00-00	WIRE, PLUS LEAD	1	
6	JR1-H2127-01-00	WIRE, LEAD 2	4	
7	JR1-H2149-01-00	WIRE, LEAD 3	1	
8	JR1-H2917-10-00	SWITCH	1	
9	JU2-H2521-00-00	WIRE, LEAD	1	
10	JU2-H2531-00-00	WIRE, LEAD	1	
11	JU2-H6171-00-00	WIRE, LEAD 1	1	
12	JU2-H6172-00-00	WIRE, LEAD 2	1	
13	JU2-H7196-00-00	TUBE 1	1	
14	90465-13152-00	CLAMP	1	
15	JU8-H2590-00-00	WIRE HARNESS ASSY	1	~JU8-000300
	JU8-H2590-01-00	WIRE HARNESS ASSY	1	JU8-000301~
16	JR1-H2151-00-00	. FUSE (3A-BL)	1	
17	JN6-H2151-00-00	. FUSE (10 A)	1	
18	JU6-H1950-00-00	RELAY ASSY	1	
19	JN6-H2105-00-00	WIRE HARNESS	1	
20	90163-06005-00	SCREW, HEX	2	
21	JR1-H3383-01-00	BUZZER	1	
22	JN6-H3386-01-00	STAY, BUZZER	1	
23	JR1-H6181-02-00	RECEPTACLE	1	
24	JU2-H1215-00-00	WIRE, LEAD 1	1	
25	JU2-H1216-00-00	WIRE, LEAD 2	1	
26	JF7-82817-20-00	SWITCH, ACCELERATOR STOP	1	
27	98507-05025-00	SCREW, PAN HEAD	2	
28	92907-05100-00	WASHER, LOCK	2	
29	92907-05600-00	WASHER, PLATE	2	

## CONTENTS

ACCELERATOR	B2
BODY 1	B7-8
BODY 2	B9
BODY FITTING	B10
BRAKE 1	A10-11
BRAKE 2	A12
BRAKE 3	B1
BUMPER	B6
CARRIER	B11
CONTROLLER 1	C3-4
ELECTRIC MOTOR	C1
ELECTRICAL 1	C5-7
FRAME	A5
FRONT SUSPENSION WHEEL	A6-7
HEADLIGHT	C2
REAR ARM SUSPENSION	A4
REAR AXLE MOUNT WHEEL	B5
SEAT	B12
STEERING	A8-9
TRANSAXLE	B3-4
~MODELS IN THIS CATALOG	C8



JU81110-C200

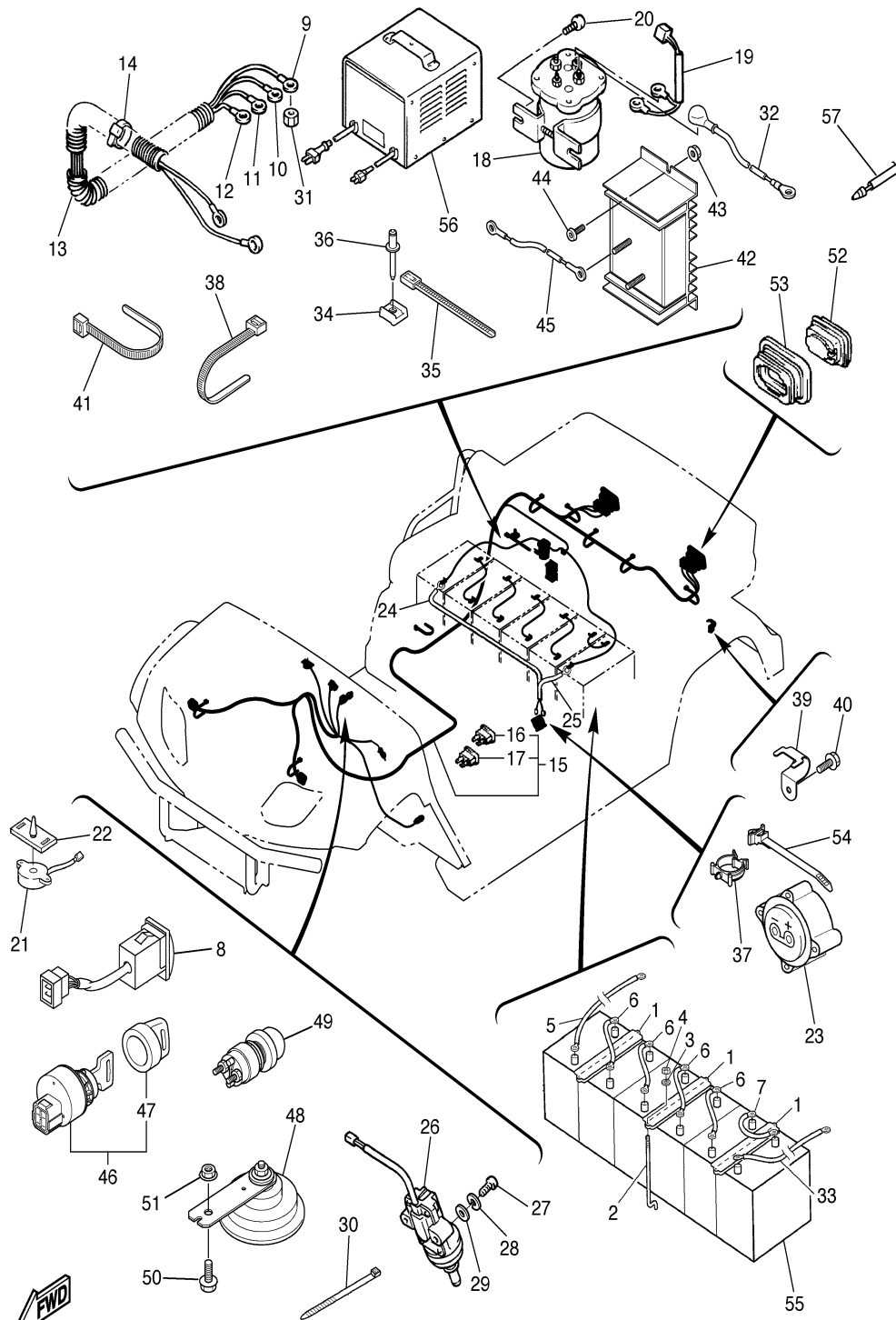
CONTINUED ON NEXT FRAME ►

# ELECTRICAL 1

Ref. No.	Part Number	Description	Qty	Remarks
30	90464-31827-00	CLAMP	5	
31	JG6-H1872-00-00	NUT, SPECIAL	4	
32	JU2-H6527-00-00	WIRE 7	1	
33	JU2-H6521-00-00	WIRE 1	1	
34	90207-05800-00	WASHER, FINISH	1	
35	90464-40825-00	CLAMP	3	
36	90267-489U9-00	RIVET, BLIND	1	
37	90464-25826-00	CLAMP	3	
38	90464-14806-00	CLAMP	7	
39	90462-20186-00	CLAMP	1	
40	90105-06876-00	BOLT, FLANGE	1	
41	90464-14806-00	CLAMP	1	
42	JR1-H1910-00-00	VOLTAGE REGULATOR ASSY	1	
43	95707-05300-00	NUT, FLANGE	2	
44	90111-05801-00	BOLT	2	
45	JR1-H4149-00-00	WIRE, LEAD 2	1	
46	JU6-H2510-00-00	MAIN SWITCH ASSY	1	JU8-000101~300100 RANDOM KEY MAIN SWITCH
	JU6-H2510-10-00	MAIN SWITCH ASSY	1	JU8-300101~ COMMON KEY SW - KEY PN JU6-H2511-10-00
47	5UG-H2579-00-00	. CAP, KEY	1	
48	4LR-83371-10-00	HORN	1	
49	JR6-H270X-00-00	SWITCH	1	
50	9582P-06016-00	BOLT, FLANGE	1	
51	95707-06500-00	NUT, FLANGE	1	
52	JN3-H4700-00-00	TAILLIGHT ASSY	2	JU8-000101~300100
	JU5-H4700-10-00	TAILLIGHT ASSY	1	JU8-300101~ (WIRE LEAD ATTACHED)
53	JN3-H4718-00-00	GROMMET	2	

## CONTENTS

ACCELERATOR	B2
BODY 1	B7-8
BODY 2	B9
BODY FITTING	B10
BRAKE 1	A10-11
BRAKE 2	A12
BRAKE 3	B1
BUMPER	B6
CARRIER	B11
CONTROLLER 1	C3-4
ELECTRIC MOTOR	C1
ELECTRICAL 1	C5-7
FRAME	A5
FRONT SUSPENSION WHEEL	A6-7
HEADLIGHT	C2
REAR ARM SUSPENSION	A4
REAR AXLE MOUNT WHEEL	B5
SEAT	B12
STEERING	A8-9
TRANSAXLE	B3-4
~MODELS IN THIS CATALOG	C8



JU81110-C200

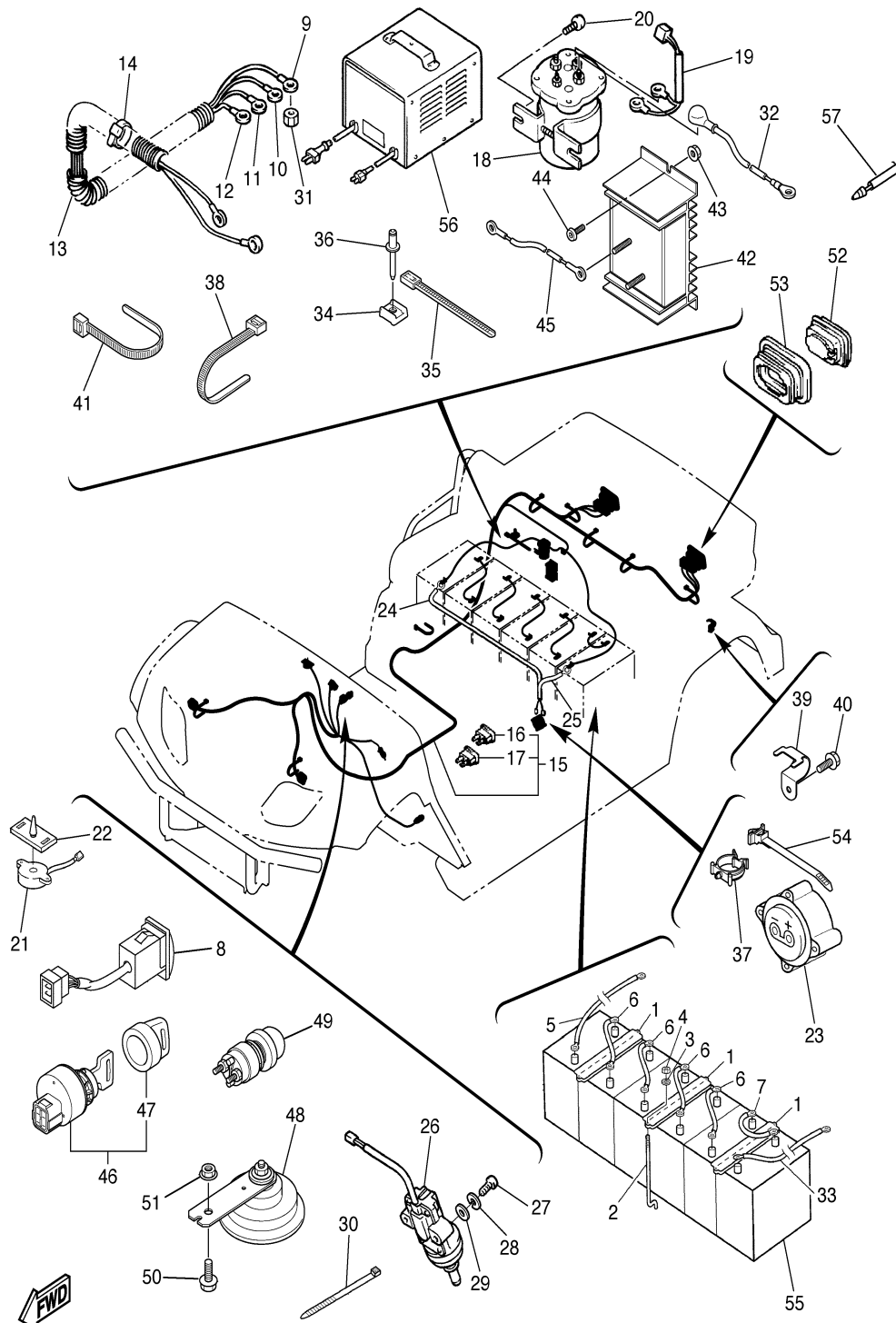
CONTINUED ON NEXT FRAME ►

# ELECTRICAL 1

Ref. No.	Part Number	Description	Qty	Remarks
54	90464-25800-00	CLAMP .....	1	
55	JR1-H2110-20-00	BATTERY (8V BCI GROUP GC-2H) .....	6	LM
56	JR1-H2107-03-00	CHARGER (MAC) .....	1	UR, US BRAND BATTERY EQUIPPED MODELS
	JU6-H2107-00-00	CHARGER (DP1) .....	1	UR, TROJAN BRAND BATTERY EQUIPPED MODELS
57	JU7-H2521-01-00	WIRE, LEAD (TAILLIGHT) ....	1	JU8-000301~300100

## CONTENTS

ACCELERATOR	B2
BODY 1	B7-8
BODY 2	B9
BODY FITTING	B10
BRAKE 1	A10-11
BRAKE 2	A12
BRAKE 3	B1
BUMPER	B6
CARRIER	B11
CONTROLLER 1	C3-4
ELECTRIC MOTOR	C1
ELECTRICAL 1	C5-7
FRAME	A5
FRONT SUSPENSION WHEEL	A6-7
HEADLIGHT	C2
REAR ARM SUSPENSION	A4
REAR AXLE MOUNT WHEEL	B5
SEAT	B12
STEERING	A8-9
TRANSAXLE	B3-4
-MODELS IN THIS CATALOG	C8



JU81110-C200

## ~MODELS IN THIS CATALOG

Ref. No.	Part Number	Description	Qty	Remarks
-------------	----------------	-------------	-----	---------

### CONTENTS

ACCELERATOR	B2
BODY 1	B7-8
BODY 2	B9
BODY FITTING	B10
BRAKE 1	A10-11
BRAKE 2	A12
BRAKE 3	B1
BUMPER	B6
CARRIER	B11
CONTROLLER 1	C3-4
ELECTRIC MOTOR	C1
ELECTRICAL 1	C5-7
FRAME	A5
FRONT SUSPENSION WHEEL	A6-7
HEADLIGHT	C2
REAR ARM SUSPENSION	A4
REAR AXLE MOUNT WHEEL	B5
SEAT	B12
STEERING	A8-9
TRANSAXLE	B3-4
~MODELS IN THIS CATALOG	C8

## 2004 G27EZ (JU81)

STARTING SERIAL NO. (G27EZ): JU8-000101 and following

## 2005 G27EZ (JU81)

STARTING SERIAL NO. (G27EZ): JU8-000101 and following

## 2006 G27EC (JU81)

STARTING SERIAL NO. (G27EC): JU8-300101 and following

ALL THESE MODELS USE THIS SAME PARTS CATALOG.  
BE SURE TO ORDER ONLY THOSE PARTS APPLICABLE  
TO THE DESIRED MODEL.