

# PARTS CATALOGUE

## GOLF CAR

2004 G23EZ (JU61)

2005 G23EZ (JU61)

2006 G23EC (JU61)

### CONTENTS

ACCELERATOR	B2
BODY	B7-8
BODY 2	B9
BODY FITTING	B10
BRAKE	A10-11
BRAKE 2	A12
BRAKE 3	B1
BUMPER	B6
CARRIER JU6-300101-	C1-2
CARRIER ~JU6-300100	B11-12
CONTROLLER 1	C6-7
ELECTRIC MOTOR	C4
ELECTRICAL 1	C8-10
FRAME	A5
FRONT SUSPENSION WHEEL	A6-7
HEADLIGHT	C5
REAR ARM SUSPENSION	A4
REAR AXLE MOUNT WHEEL	B5
SEAT	C3
STEERING	A8-9
TRANSAXLE	B3-4
~MODELS IN THIS CATALOG	C11

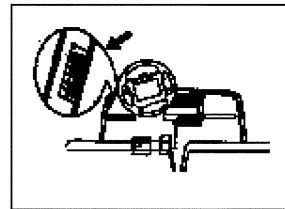
Applicable Serial No.

STARTING SERIAL NO. (G23EZ): JU6-000101 and following

STARTING SERIAL NO. (G23EZ): JU6-000101 and following

STARTING SERIAL NO. (G23EC): JU6-300101 and following

Frame Serial No.



OWNERS	LIT-19626-01-09
ASSEMBLY	LIT-11666-01-09
SERVICE	LIT-11616-01-09

## CONTENTS

ACCELERATOR	B2
BODY	B7-8
BODY 2	B9
BODY FITTING	B10
BRAKE	A10-11
BRAKE 2	A12
BRAKE 3	B1
BUMPER	B6
CARRIER JU6-300101-	C1-2
CARRIER ~JU6-300100	B11-12
CONTROLLER 1	C6-7
ELECTRIC MOTOR	C4
ELECTRICAL 1	C8-10
FRAME	A5
FRONT SUSPENSION WHEEL	A6-7
HEADLIGHT	C5
REAR ARM SUSPENSION	A4
REAR AXLE MOUNT WHEEL	B5
SEAT	C3
STEERING	A8-9
TRANSAXLE	B3-4
~MODELS IN THIS CATALOG	C11

## FOREWORD

This Parts Catalogue is related to the parts for the model(s) on the cover page. When you are ordering replacement parts, please refer to this Parts Catalogue and quote both part numbers and part names correctly.

1. Modifications or additions which have been made after the issue of the Parts Catalogue will be announced in the Parts News.  
It is advisable that you make the necessary corrections to the Parts Catalogue according to the Parts News.

2. Abbreviations  
The following abbreviations are used in this Parts Catalogue.

“UR” Use specified parts number.  
 “UN” Use as many as needed.  
 “AP” Alternate Parts  
 “LM” Locally Made (Parts need to be ordered locally)  
 “F#” Frame No. (Applicable machine No.)  
 “O/S” Over Size

3. The number of components for assembly
  - Parts, which are to be supplied in an assembly, are listed with a dot (.) in front of the part name as shown below.
  - The numeral appearing to the right of each component part indicates the quantity of parts for each assembly unit.

PART NO.	DESCRIPTION	Q'TY	REMARKS
2F5-83310-60	FRONT FLASHER LIGHT ASSY	2	
115-83311-60	.BULB (6V-18W)	1	

4. Applicable colours of graphics are represented in the “REMARKS” as shown below.

PART NO.	DESCRIPTION	Q'TY	REMARKS
2N4-24110-00-X5	FUEL TANK COMP.	2	MXR
3J1-24240-10	.GRAPHIC, FUEL TANK	1	FOR MXR

5. Note that the illustrations for reference in finding parts numbers are not to be used for assembling. When assembling, please use the applicable service manual.

6. The asterisk (\*) before a reference number indicates modified items after the first edition.

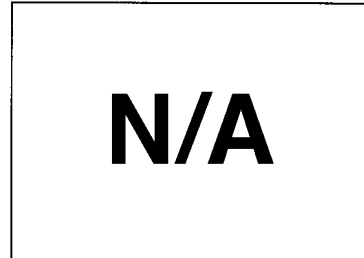
**CONTENTS**

ACCELERATOR	B2
BODY	B7-8
BODY 2	B9
BODY FITTING	B10
BRAKE	A10-11
BRAKE 2	A12
BRAKE 3	B1
BUMPER	B6
CARRIER JU6-300101-	C1-2
CARRIER ~JU6-300100	B11-12
CONTROLLER 1	C6-7
ELECTRIC MOTOR	C4
ELECTRICAL 1	C8-10
FRAME	A5
FRONT SUSPENSION WHEEL	A6-7
HEADLIGHT	C5
REAR ARM SUSPENSION	A4
REAR AXLE MOUNT WHEEL	B5
SEAT	C3
STEERING	A8-9
TRANSAXLE	B3-4
-MODELS IN THIS CATALOG	C11

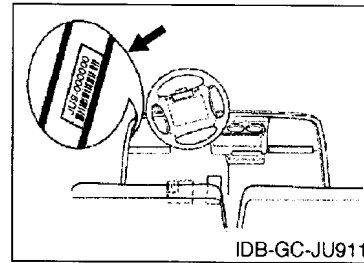
**FOREWORD**

7. Applicable Serial No.

Engine Serial No.



Frame Serial No.



10. Applicable Starting Serial No.

Frame Serial No.

Serial No.	Name Of Q'ty Column	Model Code
<b>JU6-000101</b>	<b>JU61</b>	<b>JU61</b>

8. Applicable Colour Code (The (\*) mark shows Model colour.)

Abbreviation	Colour Name	Colour Code

9. Quantity Column Information

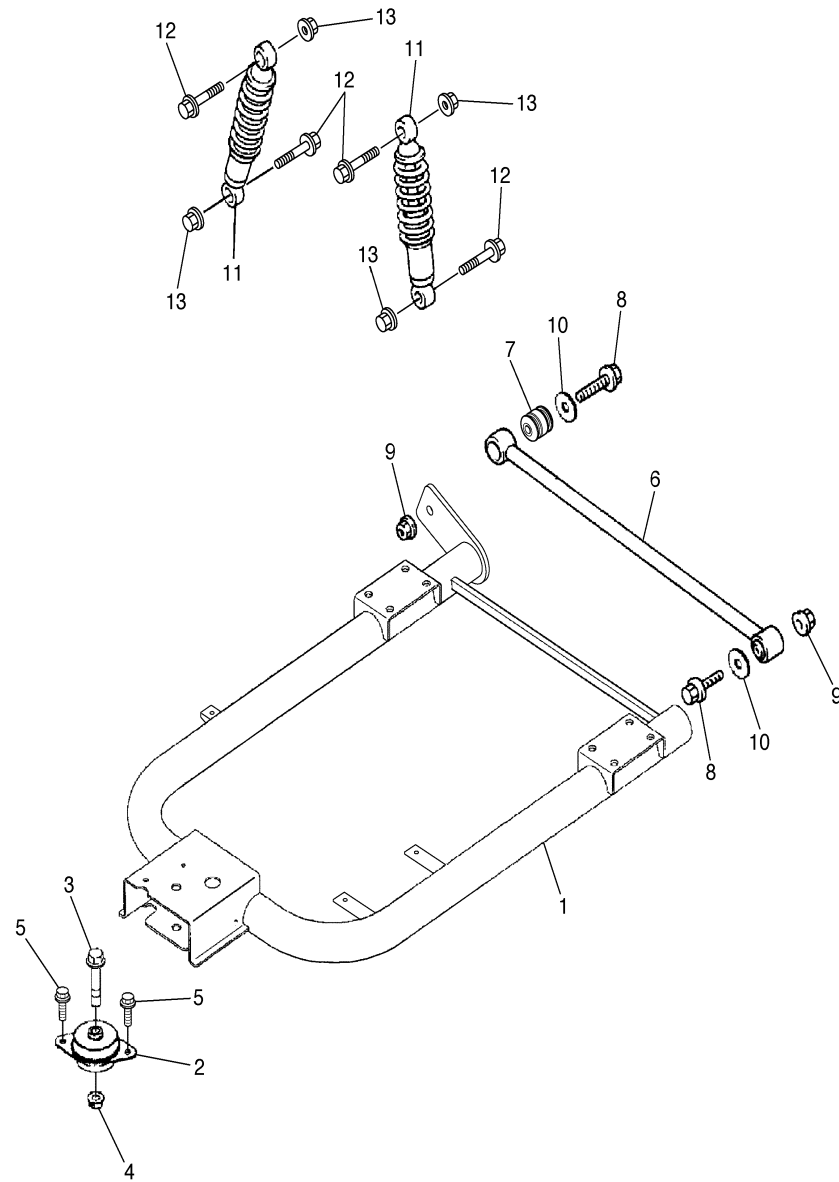
Column No.	Name Of Q'ty Column	Destination
1	<b>JU61</b>	U.S.A

# REAR ARM SUSPENSION

Ref. No.	Part Number	Description	Qty	Remarks
1	JU6-F2110-00-00	REAR ARM COMP. ....	1	
2	JN6-F2123-10-00	BUSH 1 .....	1	
3	90105-13864-00	BOLT, FLANGE .....	1	
4	90179-13878-00	NUT .....	1	
5	9751P-10620-00	BOLT, HEX WITH WASHER (7-FQA) .....	2	
6	JN6-F217G-00-00	ROD, CONNECTING ASSY ...	1	
7	JN6-F2124-10-00	BUSH 2 .....	2	
8	9581P-12065-00	BOLT, FLANGE .....	2	
9	9560P-12200-00	NUT, FLANGE .....	2	
10	90201-128S4-00	WASHER, PLATE .....	2	
11	JR6-F2210-00-00	SHOCK ABSORBER .....	2	
12	9581P-12065-00	BOLT, FLANGE .....	4	
13	90185-12072-00	NUT, SELF-LOCKING .....	4	

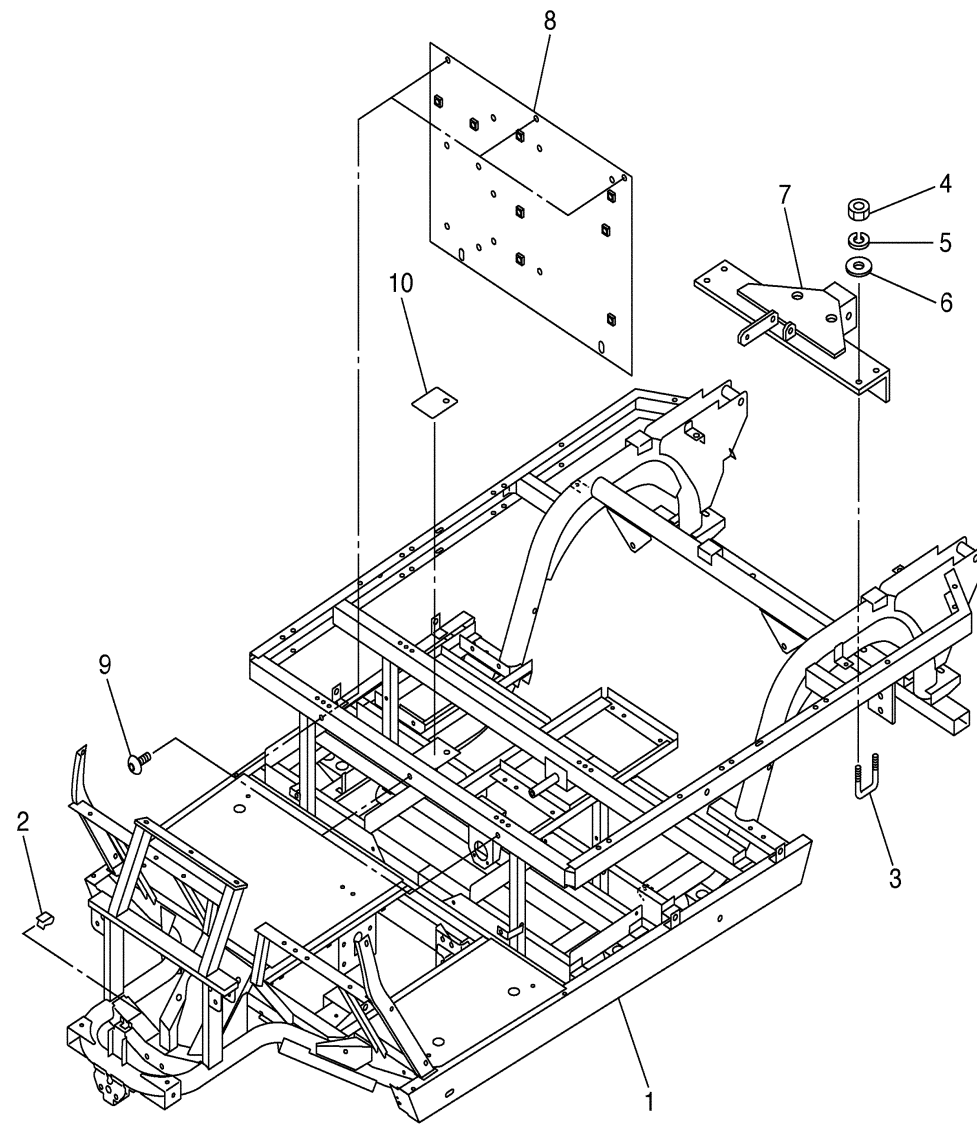
## CONTENTS

ACCELERATOR	B2
BODY	B7-8
BODY 2	B9
BODY FITTING	B10
BRAKE	A10-11
BRAKE 2	A12
BRAKE 3	B1
BUMPER	B6
CARRIER JU6-300101-	C1-2
CARRIER ~JU6-300100	B11-12
CONTROLLER 1	C6-7
ELECTRIC MOTOR	C4
ELECTRICAL 1	C8-10
FRAME	A5
FRONT SUSPENSION WHEEL	A6-7
HEADLIGHT	C5
REAR ARM SUSPENSION	A4
REAR AXLE MOUNT WHEEL	B5
SEAT	C3
STEERING	A8-9
TRANSAXLE	B3-4
-MODELS IN THIS CATALOG	C11



JU61110-C010

# FRAME



Ref. No.	Part Number	Description	Qty	Remarks
1	JU6-F2501-00-00	FRAME COMP. ....	1	SEE NOTE A
2	JU0-F2567-00-00	SUPPORT 1 ....	1	
3	90109-10862-00	BOLT ....	2	
4	90170-10847-00	NUT, HEX ....	4	
5	9290P-10100-00	WASHER ....	4	
6	9290P-10200-00	WASHER ....	4	
7	JW5-F722B-00-00	BAR, TOW ....	1	
8	JU6-F2527-00-00	SUPPORT, MEMBER ....	1	
9	90110-06836-00	BOLT, HEXAGON SOCKET HEAD ....	5	
10	JR1-K8298-10-00	PLATE, CAUTION 2 ....	1	SEE NOTE A

## CONTENTS

ACCELERATOR	B2
BODY	B7-8
BODY 2	B9
BODY FITTING	B10
BRAKE	A10-11
BRAKE 2	A12
BRAKE 3	B1
BUMPER	B6
CARRIER JU6-300101-	C1-2
CARRIER ~JU6-300100	B11-12
CONTROLLER 1	C6-7
ELECTRIC MOTOR	C4
ELECTRICAL 1	C8-10
FRAME	A5
FRONT SUSPENSION WHEEL	A6-7
HEADLIGHT	C5
REAR ARM SUSPENSION	A4
REAR AXLE MOUNT WHEEL	B5
SEAT	C3
STEERING	A8-9
TRANSAXLE	B3-4
-MODELS IN THIS CATALOG	C11

NOTE A: WHEN REPLACING "FRAME COMP. JU6-F2501-00-00",  
YOU MUST ALSO REPLACE "PLATE, CAUTION 2 JR1-K8298-10-00".



JU61110-C020

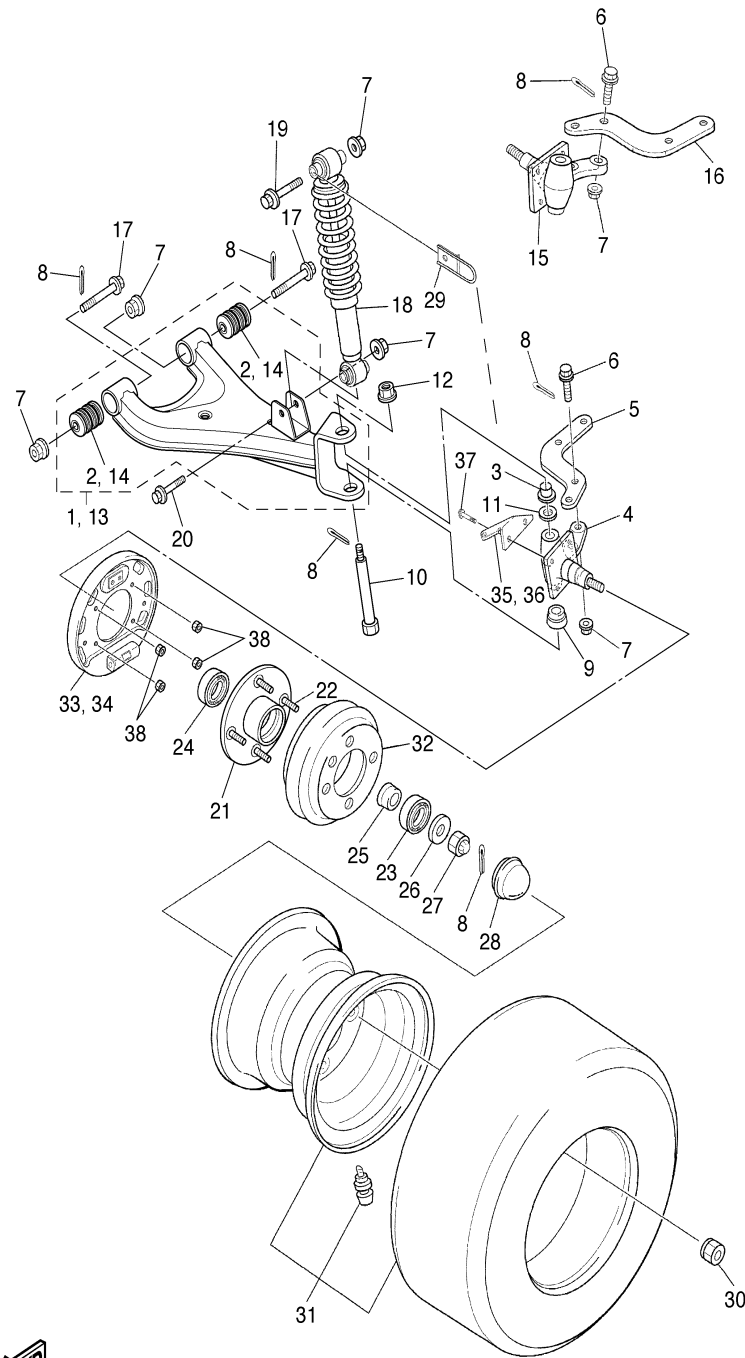
G23EZ\_EC

# FRONT SUSPENSION WHEEL

Ref. No.	Part Number	Description	Qty	Remarks
1	JU5-F3570-10-00	FRONT LOWER ARM COMP. (LEFT)	1	
2	JN6-F3526-00-00	. BUSHING, ARM	2	
3	90384-15825-00	BUSH, BIMETAL	2	
4	JR6-F3501-10-00	STEERING KNUCKLE ASSY (LEFT)	1	
5	JN3-F3512-00-00	ARM, KNUCKLE	1	
6	90105-10895-00	BOLT, FLANGE	4	
7	95607-10200-00	NUT, R.H. THREAD	12	
8	91401-25020-00	PIN, COTTER	12	
9	J38-23527-00-00	SEAL, DUST	2	
10	JR6-F3516-00-00	PIN, STEERING KNUCKLE	2	
11	90201-158S6-00	WASHER, PLATE	2	
12	9560P-10200-00	NUT, U-FLANGE	2	
13	JU5-F3580-10-00	FRONT LOWER ARM COMP. (RIGHT)	1	
14	JN6-F3526-00-00	. BUSHING, ARM	2	
15	JR6-F3502-10-00	STEERING KNUCKLE ASSY (RIGHT)	1	
16	JN3-F3512-00-00	ARM, KNUCKLE	1	
17	90105-10894-00	BOLT, FLANGE	4	
18	JR6-F3350-00-00	SHOCK ABSORBER ASSY	2	
19	95807-10065-00	BOLT, FLANGE	2	
20	95807-10055-00	BOLT, FLANGE	2	
21	JR6-F5110-00-00	HUB ASSY, FRONT	2	
22	90114-12803-00	BOLT, KNURLED	8	
23	93306-204X0-00	BEARING	2	
24	93306-005Y3-00	BEARING	2	
25	90387-241M7-00	COLLAR	2	
26	90209-32832-00	WASHER	2	
27	95607-14100-00	NUT, U	2	

## CONTENTS

ACCELERATOR	B2
BODY	B7-8
BODY 2	B9
BODY FITTING	B10
BRAKE	A10-11
BRAKE 2	A12
BRAKE 3	B1
BUMPER	B6
CARRIER JU6-300101-	C1-2
CARRIER ~JU6-300100	B11-12
CONTROLLER 1	C6-7
ELECTRIC MOTOR	C4
ELECTRICAL 1	C8-10
FRAME	A5
FRONT SUSPENSION WHEEL	A6-7
HEADLIGHT	C5
REAR ARM SUSPENSION	A4
REAR AXLE MOUNT WHEEL	B5
SEAT	C3
STEERING	A8-9
TRANSAXLE	B3-4
-MODELS IN THIS CATALOG	C11



JU51110-C130

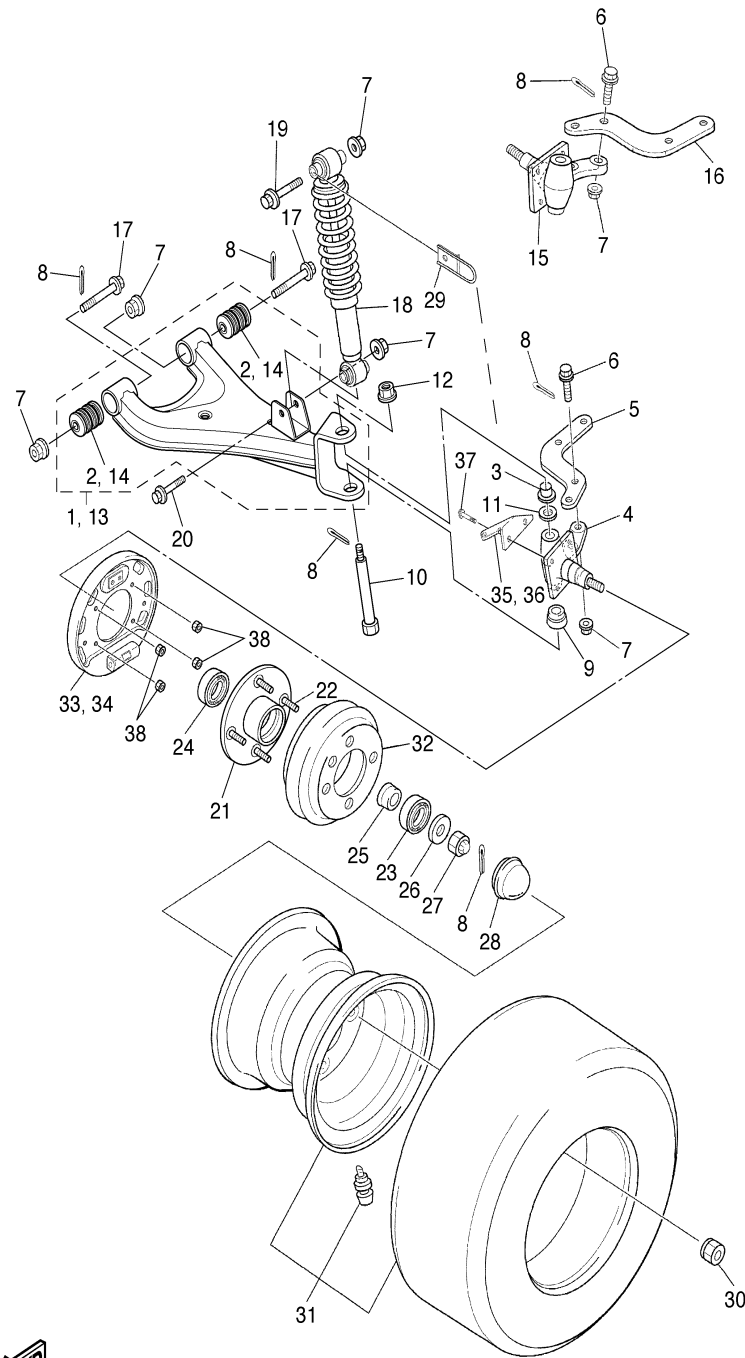
CONTINUED ON NEXT FRAME ►

# FRONT SUSPENSION WHEEL

Ref. No.	Part Number	Description	Qty	Remarks
28	JN6-F5118-00-00	COVER, HUB DUST .....	2	
29	JR6-F1339-00-00	GUIDE, WIRE .....	2	
30	90179-12262-00	NUT .....	8	
31	JN6-F5100-20-00	WHEEL ASSY (18X8.50-8 4PLY)	2	
32	J55-G6521-10-00	DRUM .....	2	
33	JN6-F7290-03-00	BACKING PLATE ASSY L.H. ..	1	SEE BRAKE 2 (L.H)
34	JN6-F7280-03-00	BACKING PLATE ASSY R.H. ..	1	SEE BRAKE 3 (R.H)
35	JR6-F7263-00-00	BRACKET 1, L.H. ....	1	
36	JR6-F7264-00-00	BRACKET 1, R.H. ....	1	
37	9502P-08025-00	BOLT .....	8	
38	9560P-08200-00	NUT, SELF-LOCKING .....	8	

## CONTENTS

ACCELERATOR	B2
BODY	B7-8
BODY 2	B9
BODY FITTING	B10
BRAKE	A10-11
BRAKE 2	A12
BRAKE 3	B1
BUMPER	B6
CARRIER JU6-300101-	C1-2
CARRIER ~JU6-300100	B11-12
CONTROLLER 1	C6-7
ELECTRIC MOTOR	C4
ELECTRICAL 1	C8-10
FRAME	A5
FRONT SUSPENSION WHEEL	A6-7
HEADLIGHT	C5
REAR ARM SUSPENSION	A4
REAR AXLE MOUNT WHEEL	B5
SEAT	C3
STEERING	A8-9
TRANSAXLE	B3-4
-MODELS IN THIS CATALOG	C11



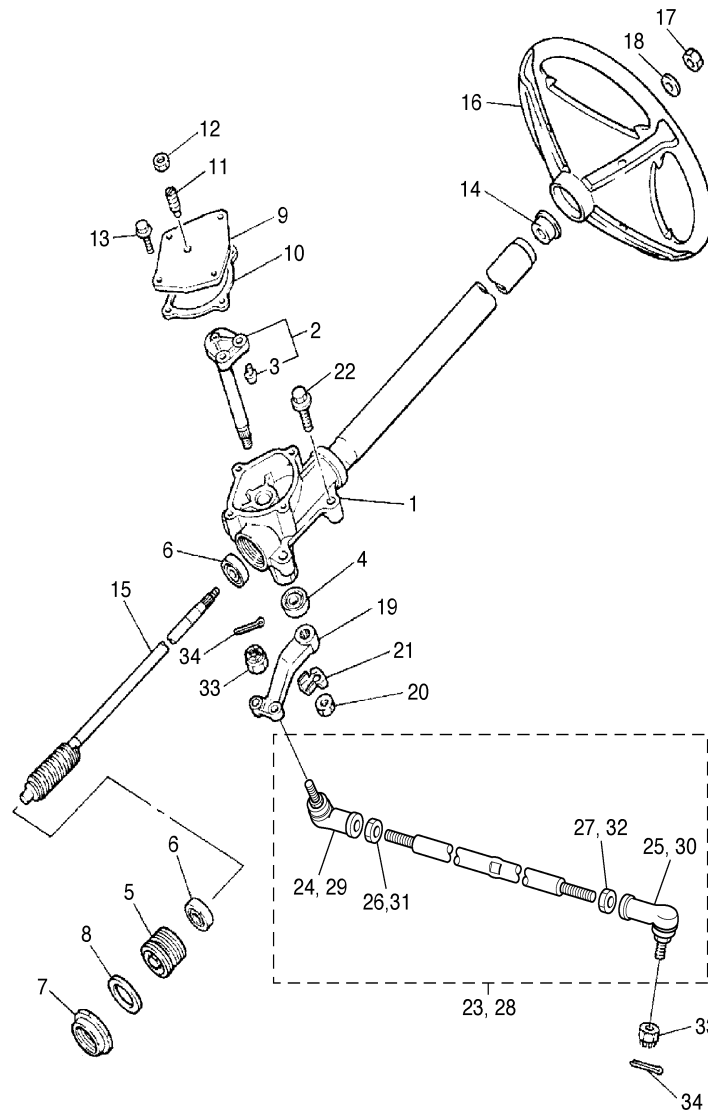
JU51110-C130

# STEERING

Ref. No.	Part Number	Description	Qty	Remarks
1	JG5-F3811-00-00	COLUMN, STEERING .....	1	
2	J38-23816-00-00	ARM, PITMAN .....	1	
3	J38-23836-00-00	. PIN, PITMAN .....	2	
4	93102-22082-00	OIL SEAL .....	1	
5	J55-F3876-00-00	BOLT .....	1	
6	93332-000Y2-00	BEARING .....	2	
7	J10-23877-00-00	NUT .....	1	
8	J10-23444-00-00	WASHER .....	1	
9	JN3-F3818-00-00	COVER, STEERING .....	1	
10	J38-23462-01-00	SEAL, STEERING .....	1	
11	J10-F3459-00-00	BOLT .....	1	
12	90170-08024-00	NUT, HEX .....	1	
13	95807-06020-00	BOLT, FLANGE .....	4	
14	JN3-F3814-00-00	HOLDER, HANDLE .....	1	
15	J10-23840-00-00	STEERING SHAFT .....	1	
16	JN3-F3838-00-00	WHEEL, STEERING .....	1	
17	90185-12061-00	NUT, SELF-LOCKING .....	1	
18	9290P-12200-00	WASHER .....	1	
19	J38-23826-01-00	ARM, IDLER .....	1	
20	95707-16300-00	NUT, NYLON .....	1	
21	90215-16814-00	WASHER, TONGUE .....	1	
22	90105-10880-00	BOLT, FLANGE .....	4	
23	JN6-F3830-11-00	TIE ROD ASSY, LEFT .....	1	
24	JN6-F3841-00-00	. UNIVERSAL JOINT (RH THREAD) .....	1	
25	JN6-F3845-00-00	. UNIVERSAL JOINT (LH THREAD) .....	1	LH THREAD
26	9530N-10600-00	. NUT .....	1	
27	90170-10414-00	. NUT (LH THREAD) .....	1	LH THREAD
28	JN6-F3850-11-00	TIE ROD ASSY, RIGHT .....	1	
29	JN6-F3841-00-00	. UNIVERSAL JOINT (RH THREAD) .....	1	

## CONTENTS

ACCELERATOR	B2
BODY	B7-8
BODY 2	B9
BODY FITTING	B10
BRAKE	A10-11
BRAKE 2	A12
BRAKE 3	B1
BUMPER	B6
CARRIER JU6-300101-	C1-2
CARRIER ~JU6-300100	B11-12
CONTROLLER 1	C6-7
ELECTRIC MOTOR	C4
ELECTRICAL 1	C8-10
FRAME	A5
FRONT SUSPENSION WHEEL	A6-7
HEADLIGHT	C5
REAR ARM SUSPENSION	A4
REAR AXLE MOUNT WHEEL	B5
SEAT	C3
STEERING	A8-9
TRANSAXLE	B3-4
-MODELS IN THIS CATALOG	C11



JU91110-C140

CONTINUED ON NEXT FRAME ►

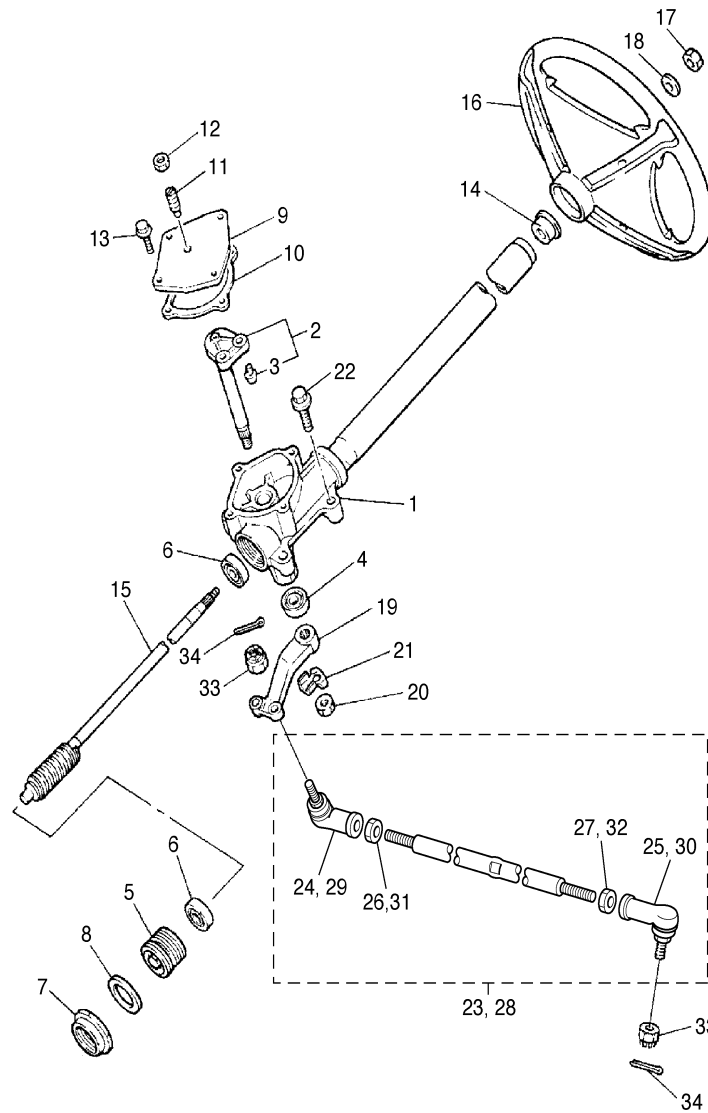


# STEERING

Ref. No.	Part Number	Description	Qty	Remarks
30	JN6-F3845-00-00	. UNIVERSAL JOINT (LH THREAD) .....	1	LH THREAD
31	9530N-10600-00	. NUT .....	1	
32	90170-10414-00	. NUT (LH THREAD) .....	1	LH THREAD
33	95607-10200-00	NUT, R.H. THREAD .....	4	
34	91401-25020-00	PIN, COTTER .....	4	

## CONTENTS

ACCELERATOR	B2
BODY	B7-8
BODY 2	B9
BODY FITTING	B10
BRAKE	A10-11
BRAKE 2	A12
BRAKE 3	B1
BUMPER	B6
CARRIER JU6-300101-	C1-2
CARRIER ~JU6-300100	B11-12
CONTROLLER 1	C6-7
ELECTRIC MOTOR	C4
ELECTRICAL 1	C8-10
FRAME	A5
FRONT SUSPENSION WHEEL	A6-7
HEADLIGHT	C5
REAR ARM SUSPENSION	A4
REAR AXLE MOUNT WHEEL	B5
SEAT	C3
STEERING	A8-9
TRANSAXLE	B3-4
-MODELS IN THIS CATALOG	C11



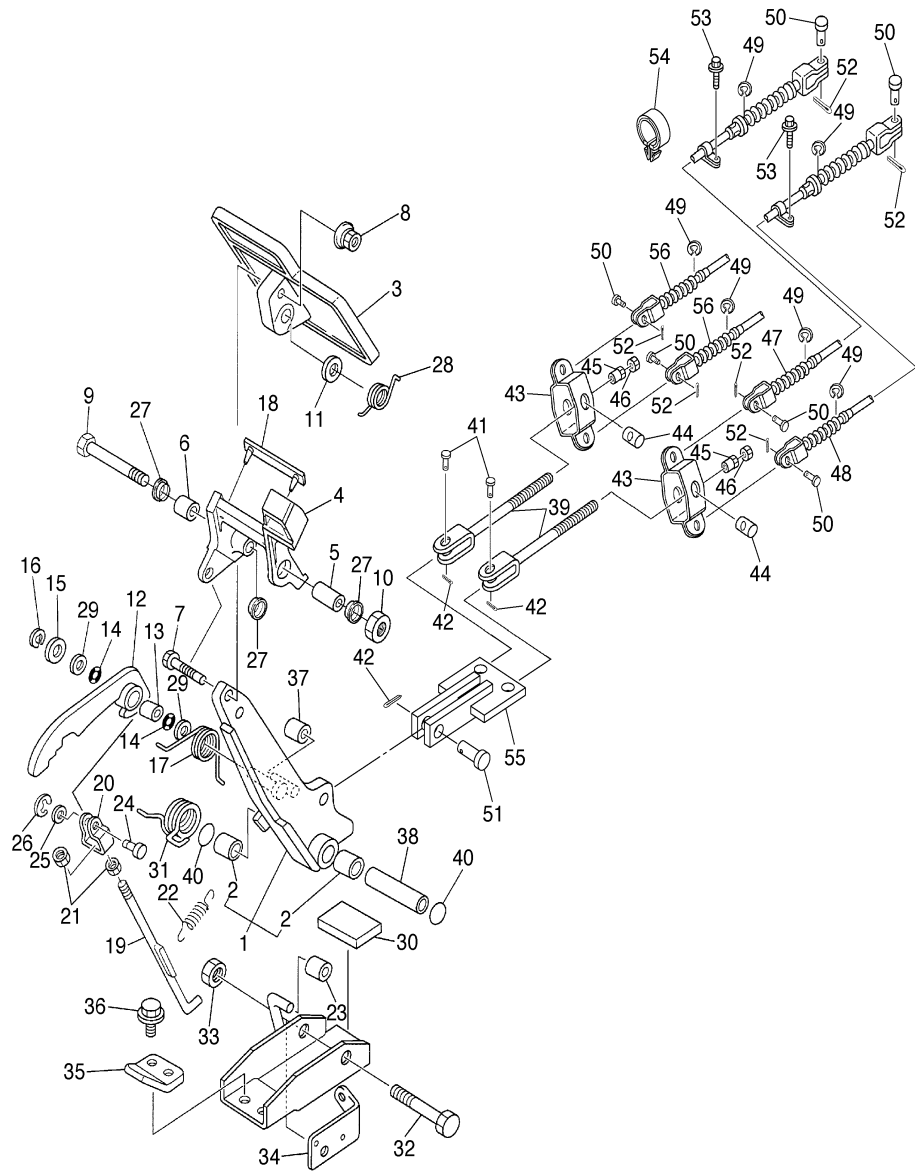
JU91110-C140

# BRAKE

Ref. No.	Part Number	Description	Qty	Remarks
1	J46-27250-03-00	BRAKE ARM COMP. ....	1	
2	90384-14080-00	. BUSH, BIMETAL ....	2	
3	JU0-27211-01-00	PEDAL, BRAKE ....	1	
4	JU0-25671-00-00	PEDAL, PARKING BRAKE ....	1	
5	90387-08014-00	COLLAR ....	1	
6	90387-08013-00	COLLAR ....	1	
7	97027-06035-00	BOLT ....	1	
8	90179-07564-00	NUT ....	1	
9	97027-08100-00	BOLT, HEX ....	1	
10	95307-08600-00	NUT ....	1	
11	92907-08200-00	WASHER, PLAIN ....	1	
12	J17-25666-02-00	SECTOR, PARKING BRAKE ..	1	
13	90384-10162-00	BUSH, BIMETAL ....	1	
14	J17-27221-00-00	SEAL, SHAFT ....	2	
15	92907-10600-00	WASHER, PLAIN ....	1	
16	99001-07600-00	CIRCLIP ....	1	
17	90508-14548-00	SPRING, TORSION ....	1	
18	J17-25672-01-00	PAD, PARKING ....	1	
19	J17-27231-03-00	ROD, BRAKE ....	1	
20	J17-27232-00-00	END, ROD ....	1	
21	95307-06700-00	NUT ....	2	
22	90506-09001-00	SPRING, TENSION ....	1	
23	J17-25673-00-00	DAMPER, BRAKE ....	1	
24	J17-27228-00-00	PIN, LINK JOINT ....	1	
25	92907-05600-00	WASHER, PLATE ....	1	
26	99001-04600-00	CIRCLIP ....	1	
27	90387-12009-00	COLLAR ....	3	
28	90508-32015-00	SPRING, TORSION ....	1	
29	90201-104G8-00	WASHER, PLAIN ....	2	
30	JN3-F7245-00-00	PAD, BRAKE PEDAL ....	1	

## CONTENTS

ACCELERATOR	B2
BODY	B7-8
BODY 2	B9
BODY FITTING	B10
BRAKE	A10-11
BRAKE 2	A12
BRAKE 3	B1
BUMPER	B6
CARRIER JU6-300101-	C1-2
CARRIER ~JU6-300100	B11-12
CONTROLLER 1	C6-7
ELECTRIC MOTOR	C4
ELECTRICAL 1	C8-10
FRAME	A5
FRONT SUSPENSION WHEEL	A6-7
HEADLIGHT	C5
REAR ARM SUSPENSION	A4
REAR AXLE MOUNT WHEEL	B5
SEAT	C3
STEERING	A8-9
TRANSAXLE	B3-4
-MODELS IN THIS CATALOG	C11



JU51110-C160

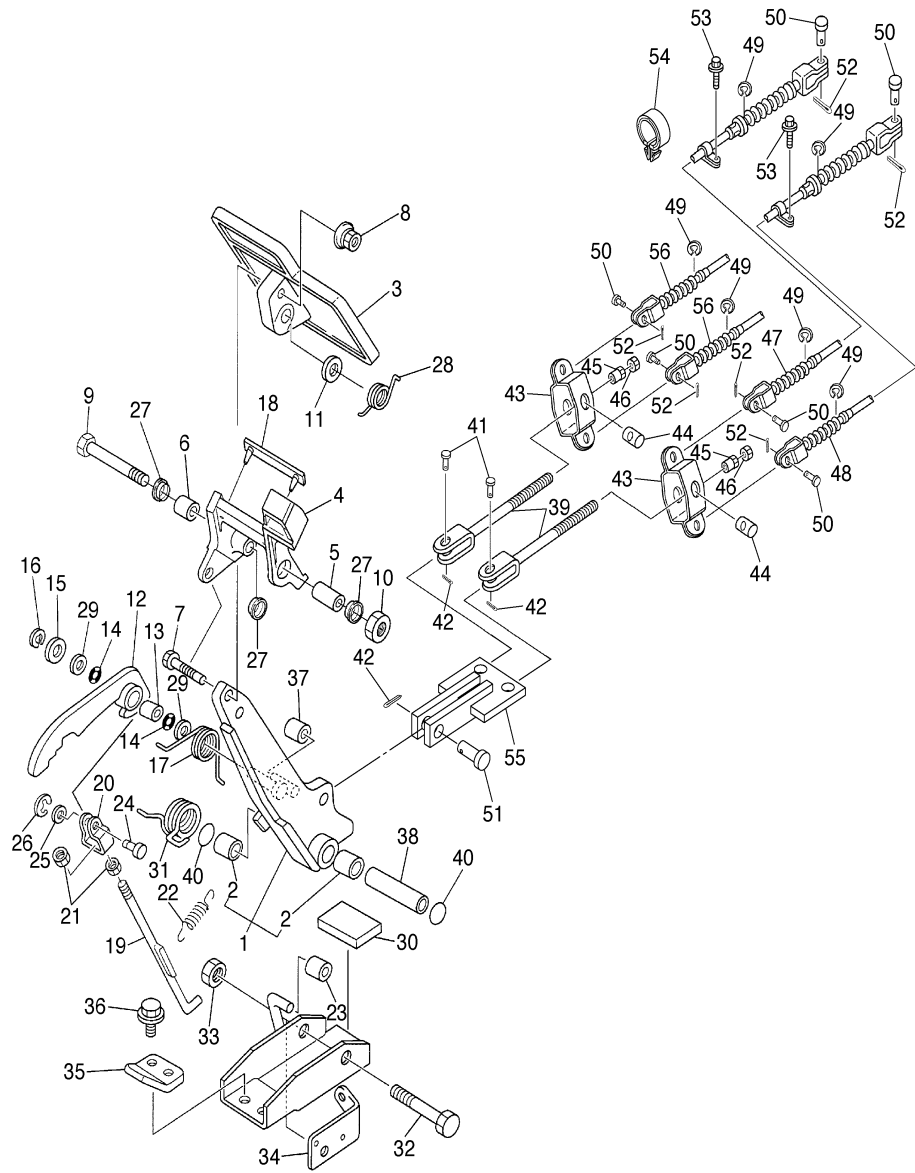
CONTINUED ON NEXT FRAME ►

# BRAKE

Ref. No.	Part Number	Description	Qty	Remarks
31	90508-40007-00	SPRING, TORSION	1	
32	90101-10884-00	BOLT, HEX.	1	
33	95607-10200-00	NUT, R.H. THREAD	1	
34	J55-2252M-00-00	BRACKET	1	
35	J17-27246-00-00	NAIL, BRAKE	1	
36	90105-08878-00	BOLT, FLANGE	2	
37	J17-25673-00-00	DAMPER, BRAKE	1	
38	90387-107F8-00	COLLAR	1	
39	JN6-F5685-00-00	ROD	2	
40	93210-132A8-00	O-RING	2	
41	91701-10022-00	PIN	2	
42	91490-30015-00	PIN, COTTER	3	
43	J10-25681-00-00	EQUALIZER, BRAKE	2	
44	90249-14129-00	PIN	2	
45	90179-08894-00	NUT	2	
46	95307-08700-00	NUT, HEX.	2	
47	JJ3-F6341-01-00	WIRE, BRAKE 1	1	
48	JJ3-F6351-02-00	WIRE, BRAKE 2	1	
49	99001-09600-00	CIRCLIP	8	
50	91701-08018-00	PIN	8	
51	91701-10028-00	PIN, CLEVIS	1	
52	91490-25015-00	PIN, COTTER	8	
53	90105-06876-00	BOLT, FLANGE	2	
54	90464-19815-00	CLAMP	1	
55	JR6-F7215-00-00	LINK	1	
56	JR6-F6361-00-00	WIRE, BRAKE 3	2	

## CONTENTS

ACCELERATOR	B2
BODY	B7-8
BODY 2	B9
BODY FITTING	B10
BRAKE	A10-11
BRAKE 2	A12
BRAKE 3	B1
BUMPER	B6
CARRIER JU6-300101-	C1-2
CARRIER ~JU6-300100	B11-12
CONTROLLER 1	C6-7
ELECTRIC MOTOR	C4
ELECTRICAL 1	C8-10
FRAME	A5
FRONT SUSPENSION WHEEL	A6-7
HEADLIGHT	C5
REAR ARM SUSPENSION	A4
REAR AXLE MOUNT WHEEL	B5
SEAT	C3
STEERING	A8-9
TRANSAXLE	B3-4
-MODELS IN THIS CATALOG	C11



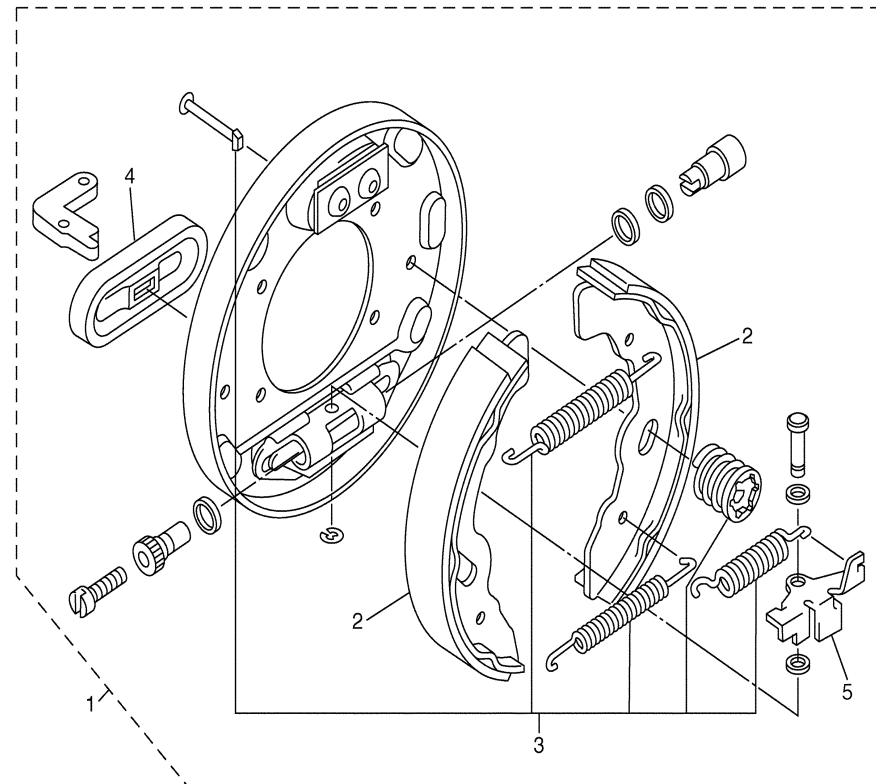
JU51110-C160

# BRAKE 2

Ref. No.	Part Number	Description	Qty	Remarks
1	JN6-F7290-03-00	BACKING PLATE ASSY L.H. . . . .	2	L/S FRONT & REAR
2	JN6-F5331-01-00	. SHOE, BRAKE SET . . . . .	2	(FOR ONE WHEEL)
3	JN6-F819G-00-00	. REPAIR PARTS KIT . . . . .	1	
4	JN6-F7286-00-00	. COVER, DUST . . . . .	1	
5	JN6-F722E-00-00	. LEVER ADJUSTER (LH) . . . . .	1	

## CONTENTS

ACCELERATOR	B2
BODY	B7-8
BODY 2	B9
BODY FITTING	B10
BRAKE	A10-11
BRAKE 2	A12
BRAKE 3	B1
BUMPER	B6
CARRIER JU6-300101-	C1-2
CARRIER ~JU6-300100	B11-12
CONTROLLER 1	C6-7
ELECTRIC MOTOR	C4
ELECTRICAL 1	C8-10
FRAME	A5
FRONT SUSPENSION WHEEL	A6-7
HEADLIGHT	C5
REAR ARM SUSPENSION	A4
REAR AXLE MOUNT WHEEL	B5
SEAT	C3
STEERING	A8-9
TRANSAXLE	B3-4
-MODELS IN THIS CATALOG	C11



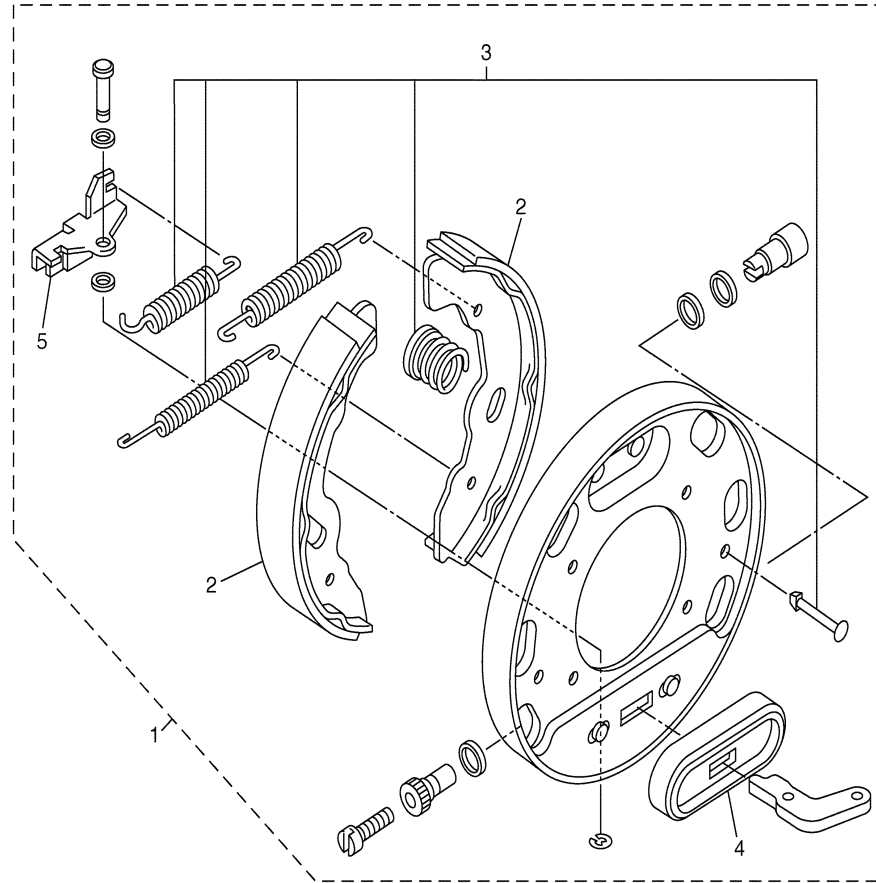
JT71010-B160

# BRAKE 3

Ref. No.	Part Number	Description	Qty	Remarks
1	JN6-F7280-03-00	BACKING PLATE ASSY R.H. . .	2	R/S FRONT & REAR
2	JN6-F5331-01-00	. SHOE, BRAKE SET . . . . .	2	(FOR ONE WHEEL)
3	JN6-F819G-00-00	. REPAIR PARTS KIT . . . . .	1	
4	JN6-F7286-00-00	. COVER, DUST . . . . .	1	
5	JN6-F722F-00-00	. LEVER ADJUSTER (RH) . . . .	1	

## CONTENTS

ACCELERATOR	B2
BODY	B7-8
BODY 2	B9
BODY FITTING	B10
BRAKE	A10-11
BRAKE 2	A12
BRAKE 3	B1
BUMPER	B6
CARRIER JU6-300101-	C1-2
CARRIER ~JU6-300100	B11-12
CONTROLLER 1	C6-7
ELECTRIC MOTOR	C4
ELECTRICAL 1	C8-10
FRAME	A5
FRONT SUSPENSION WHEEL	A6-7
HEADLIGHT	C5
REAR ARM SUSPENSION	A4
REAR AXLE MOUNT WHEEL	B5
SEAT	C3
STEERING	A8-9
TRANSAXLE	B3-4
-MODELS IN THIS CATALOG	C11



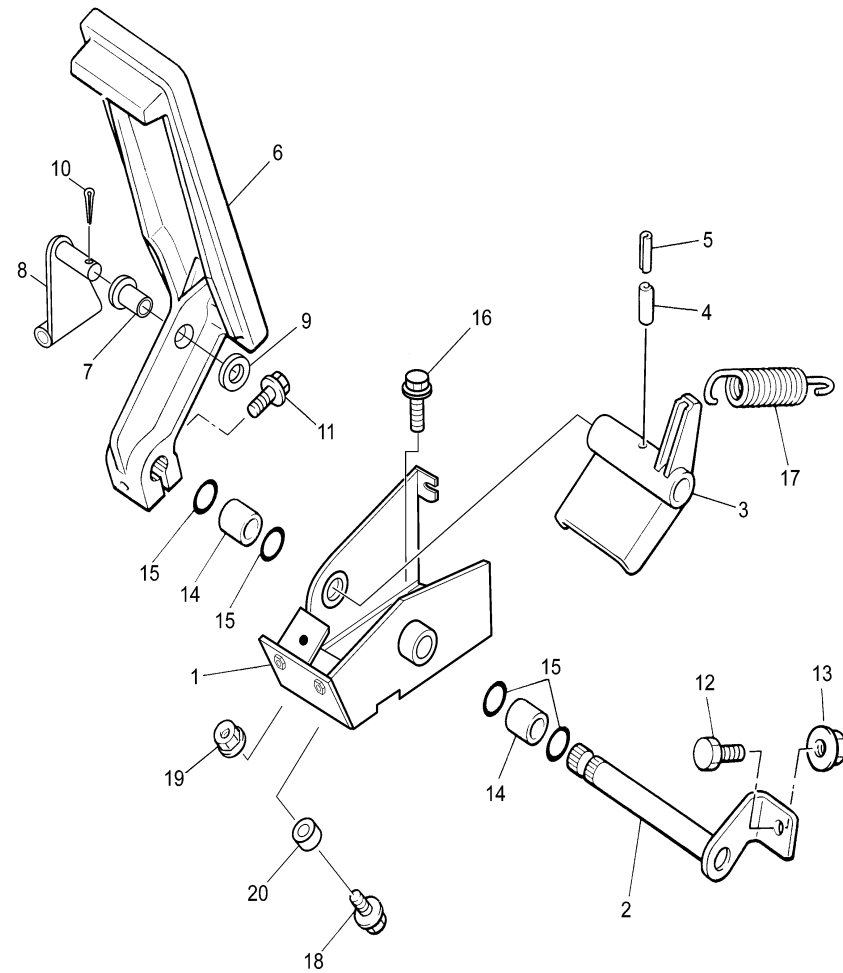
JT71010-B170

# ACCELERATOR

Ref. No.	Part Number	Description	Qty	Remarks
1	JN6-F7874-01-00	BRACKET, PEDAL .....	1	
2	J17-27853-01-00	SHAFT, PEDAL 1 .....	1	
3	J22-27872-00-00	ARM, ACCELERATOR .....	1	
4	91609-60028-00	PIN, SPRING .....	1	
5	91609-35028-00	PIN, SPRING .....	1	
6	JF3-27871-00-00	PEDAL, ACCELERATOR .....	1	
7	90381-06033-00	BUSH, SOLID .....	1	
8	J14-27815-00-00	LEVER, CRANK .....	1	
9	9290P-06600-00	WASHER .....	1	
10	91401-20012-00	PIN, COTTER .....	1	
11	95807-06025-00	BOLT, FLANGE .....	1	
12	90106-08806-00	BOLT, RD. HEX .....	1	
13	95707-08500-00	NUT, FLANGE .....	1	
14	90384-14080-00	BUSH, BIMETAL .....	2	
15	93210-14104-00	O-RING .....	4	
16	90105-08878-00	BOLT, FLANGE .....	3	
17	90506-26282-00	SPRING, TENSION .....	1	
18	95807-06025-00	BOLT, FLANGE .....	1	
19	95707-06500-00	NUT, FLANGE .....	1	
20	90387-068T4-00	COLLAR .....	1	

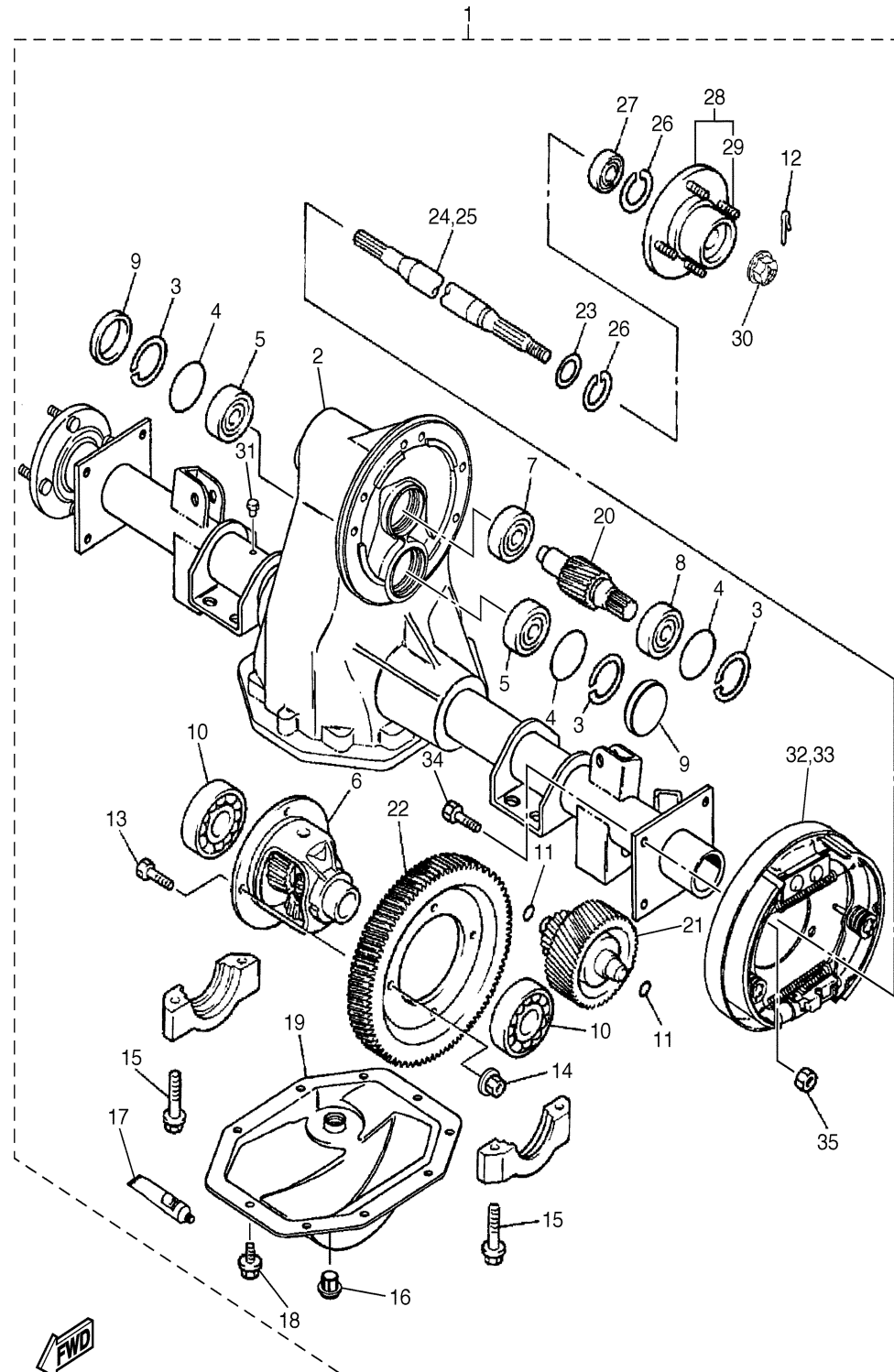
## CONTENTS

ACCELERATOR	B2
BODY	B7-8
BODY 2	B9
BODY FITTING	B10
BRAKE	A10-11
BRAKE 2	A12
BRAKE 3	B1
BUMPER	B6
CARRIER JU6-300101-	C1-2
CARRIER ~JU6-300100	B11-12
CONTROLLER 1	C6-7
ELECTRIC MOTOR	C4
ELECTRICAL 1	C8-10
FRAME	A5
FRONT SUSPENSION WHEEL	A6-7
HEADLIGHT	C5
REAR ARM SUSPENSION	A4
REAR AXLE MOUNT WHEEL	B5
SEAT	C3
STEERING	A8-9
TRANSAXLE	B3-4
~MODELS IN THIS CATALOG	C11



JU2100-5080

# TRANSAXLE



Ref. No.	Part Number	Description	Qty	Remarks
1	JU6-G6300-00-00	TRANS AXLE ASSY .....	1	
2	JU6-G6310-00-00	. CASE ASSY .....	1	
3	93420-50804-00	. CIRCLIP .....	3	
4	93210-478B8-00	. O-RING .....	3	
5	93306-303Y6-00	. BEARING .....	2	
6	JN6-G6410-00-00	. DIFFERENTIAL ASSY. ....	1	
7	93306-203X1-00	. BEARING .....	1	
8	93306-005Y1-00	. BEARING .....	1	
9	JH7-G3396-00-00	. PLUG, BLIND .....	2	
10	93306-007Y0-00	. BEARING .....	2	
11	93210-148B9-00	. O-RING .....	2	
12	91490-25025-00	. PIN, COTTER .....	2	
13	90101-10854-00	. BOLT, HEX. ....	4	
14	90170-10840-00	. NUT, HEX. ....	4	
15	90105-10840-00	. BOLT, FLANGE .....	4	
16	JN3-G6432-00-00	. STOPPER .....	1	
17	ACC-11001-05-01	QUICK GASKET .....	1	NOT INCLUDED WITH TRANSAXLE
18	90101-08856-00	. BOLT, HEX .....	10	
19	JU6-G8314-10-00	. COVER, TRANSMISSION 2 ..	1	
20	JU6-G8321-00-00	. SHAFT, INPUT .....	1	
21	JU6-G6350-00-00	. COUNTER GEAR ASSY .....	1	
22	JU6-G6421-00-00	. GEAR, RING .....	1	
23	93101-31836-00	. SEAL, OIL .....	2	
24	JU6-G6512-00-00	. SHAFT, REAR AXLE 2 (R.H) .	1	
25	JU6-G6511-00-00	. SHAFT, REAR AXLE 1 (L.H) .	1	
26	93420-52806-00	. CIRCLIP .....	4	
27	93306-205X2-00	. BEARING .....	2	
28	JR3-G6514-00-00	. HUB, REAR AXLE .....	2	
29	90114-12804-00	. BOLT, KNURLED .....	8	

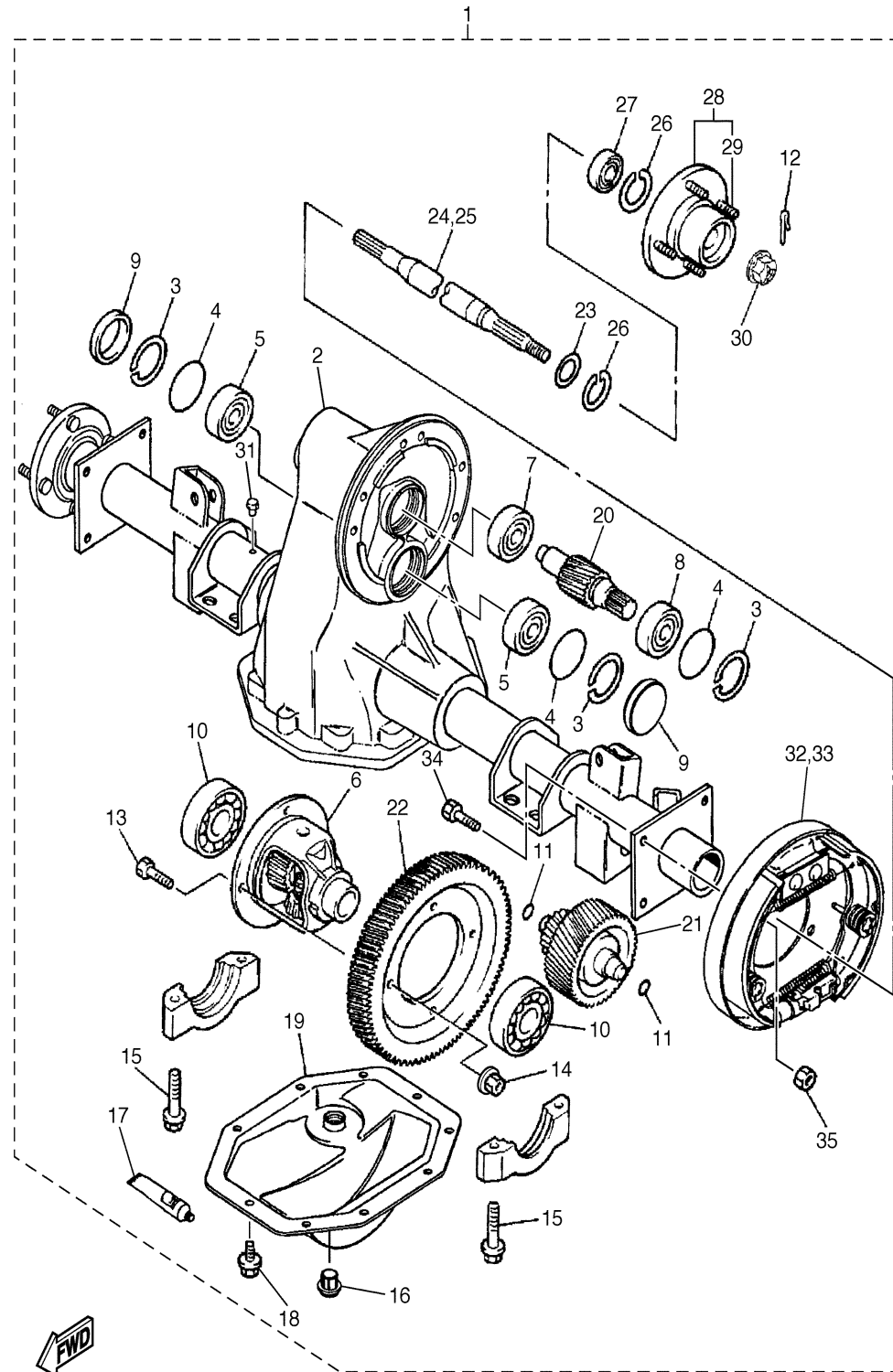
### CONTENTS

ACCELERATOR	B2
BODY	B7-8
BODY 2	B9
BODY FITTING	B10
BRAKE	A10-11
BRAKE 2	A12
BRAKE 3	B1
BUMPER	B6
CARRIER JU6-300101-	C1-2
CARRIER ~JU6-300100	B11-12
CONTROLLER 1	C6-7
ELECTRIC MOTOR	C4
ELECTRICAL 1	C8-10
FRAME	A5
FRONT SUSPENSION WHEEL	A6-7
HEADLIGHT	C5
REAR ARM SUSPENSION	A4
REAR AXLE MOUNT WHEEL	B5
SEAT	C3
STEERING	A8-9
TRANSAXLE	B3-4
-MODELS IN THIS CATALOG	C11

CONTINUED ON NEXT FRAME ►

FWD  
JU61110-C090

# TRANSAXLE



Ref. No.	Part Number	Description	Qty	Remarks
30	90185-19842-00	. NUT, SELF-LOCKING . . . . .	2	
31	JH7-G5619-00-00	. CAP . . . . .	1	
32	JN6-F7280-03-00	. BACKING PLATE ASSY R.H. . . . .	1	SEE BRAKE 3 (R.H)
33	JN6-F7290-03-00	. BACKING PLATE ASSY L.H. . . . .	1	SEE BRAKE 2 (L.H)
34	90101-08855-00	. BOLT, HEX. . . . .	8	
35	90170-08841-00	. NUT, HEX. . . . .	8	

## CONTENTS

ACCELERATOR	B2
BODY	B7-8
BODY 2	B9
BODY FITTING	B10
BRAKE	A10-11
BRAKE 2	A12
BRAKE 3	B1
BUMPER	B6
CARRIER JU6-300101-	C1-2
CARRIER ~JU6-300100	B11-12
CONTROLLER 1	C6-7
ELECTRIC MOTOR	C4
ELECTRICAL 1	C8-10
FRAME	A5
FRONT SUSPENSION WHEEL	A6-7
HEADLIGHT	C5
REAR ARM SUSPENSION	A4
REAR AXLE MOUNT WHEEL	B5
SEAT	C3
STEERING	A8-9
TRANSAXLE	B3-4
-MODELS IN THIS CATALOG	C11



JU61110-C090

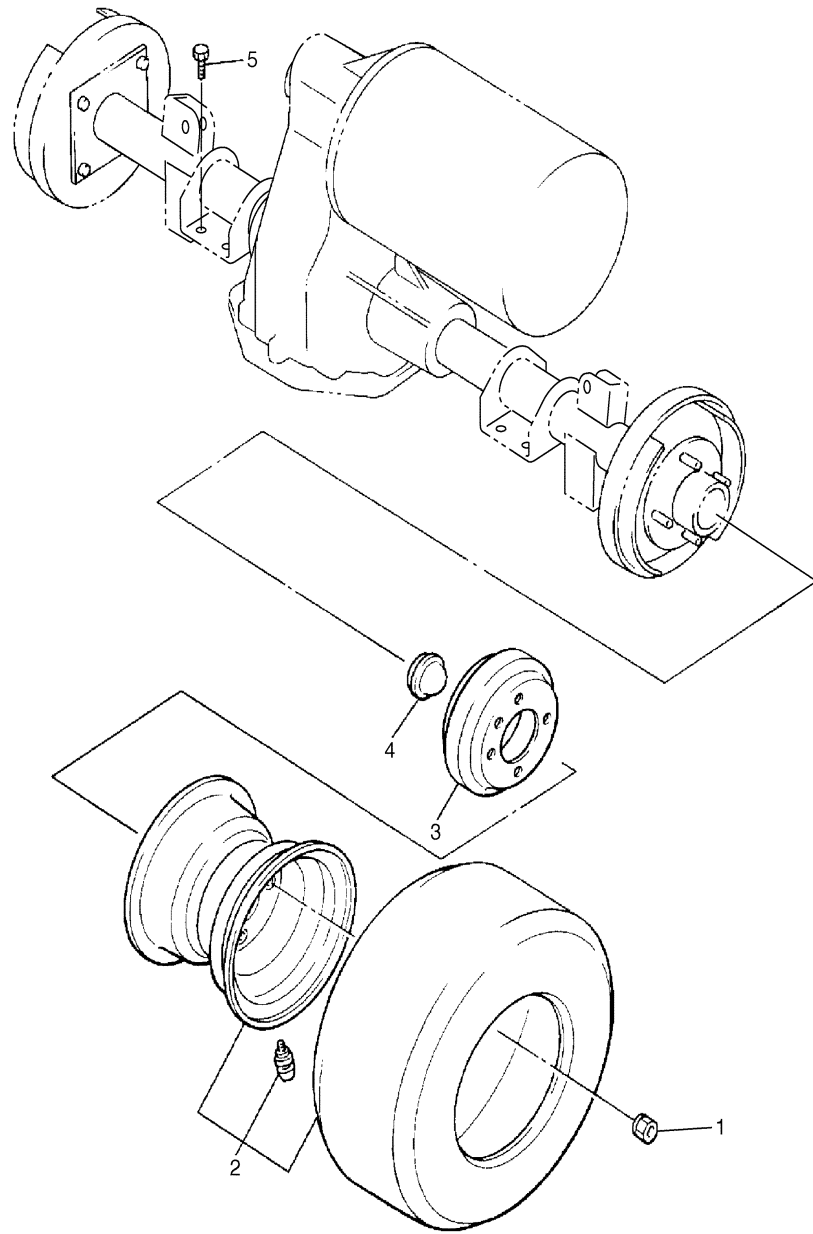


# REAR AXLE MOUNT WHEEL

Ref. No.	Part Number	Description	Qty	Remarks
1	90179-12262-00	NUT .....	8	
2	JR6-F5300-10-00	WHEEL ASSY (18X8.50-8 6PLY)	2	
3	J55-G6521-10-00	DRUM .....	2	
4	JN6-F5118-00-00	COVER, HUB DUST .....	2	
5	9751P-10620-00	BOLT, HEX WITH WASHER (7-FQA) .....	8	

## CONTENTS

ACCELERATOR	B2
BODY	B7-8
BODY 2	B9
BODY FITTING	B10
BRAKE	A10-11
BRAKE 2	A12
BRAKE 3	B1
BUMPER	B6
CARRIER JU6-300101-	C1-2
CARRIER ~JU6-300100	B11-12
CONTROLLER 1	C6-7
ELECTRIC MOTOR	C4
ELECTRICAL 1	C8-10
FRAME	A5
FRONT SUSPENSION WHEEL	A6-7
HEADLIGHT	C5
REAR ARM SUSPENSION	A4
REAR AXLE MOUNT WHEEL	B5
SEAT	C3
STEERING	A8-9
TRANSAXLE	B3-4
-MODELS IN THIS CATALOG	C11



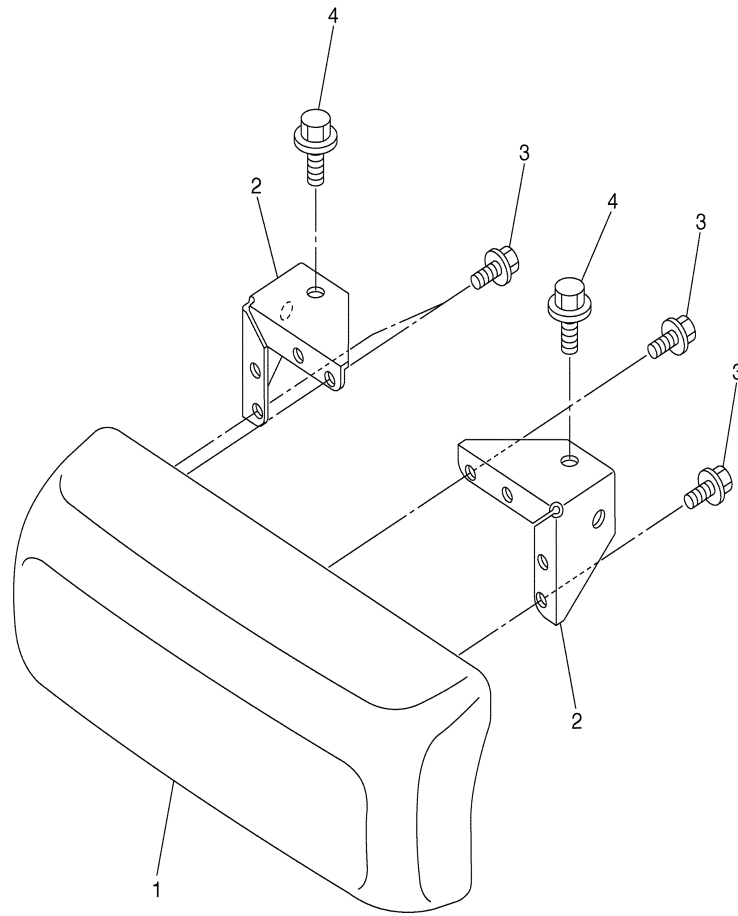
JU61110-C100

# BUMPER

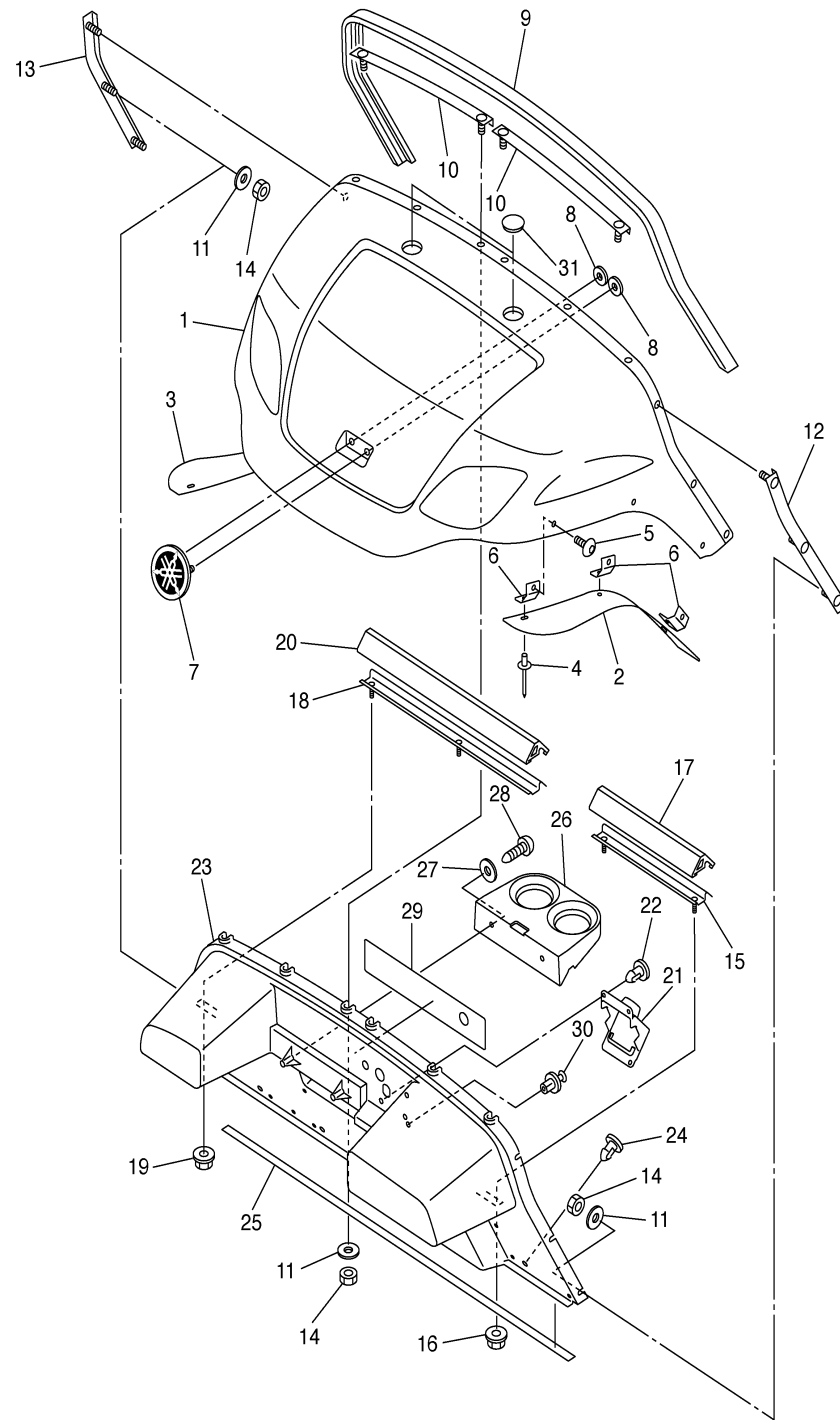
Ref. No.	Part Number	Description	Qty	Remarks
1	JN3-K7510-02-00	FRONT BUMPER COMP. ....	1	
2	JN8-K8164-00-00	STAY, FRONT BUMPER (L.H) .	2	
3	90105-06876-00	BOLT, FLANGE .....	4	
4	9581P-08016-00	BOLT, FLANGE .....	2	

## CONTENTS

ACCELERATOR	B2
BODY	B7-8
BODY 2	B9
BODY FITTING	B10
BRAKE	A10-11
BRAKE 2	A12
BRAKE 3	B1
BUMPER	B6
CARRIER JU6-300101-	C1-2
CARRIER ~JU6-300100	B11-12
CONTROLLER 1	C6-7
ELECTRIC MOTOR	C4
ELECTRICAL 1	C8-10
FRAME	A5
FRONT SUSPENSION WHEEL	A6-7
HEADLIGHT	C5
REAR ARM SUSPENSION	A4
REAR AXLE MOUNT WHEEL	B5
SEAT	C3
STEERING	A8-9
TRANSAXLE	B3-4
~MODELS IN THIS CATALOG	C11



JU51110-C260



NOTE A: WHEN REPLACING "PANEL FRONT JU7-K8114-00-00", YOU SHOULD ALSO REPLACE "LABEL WARNING 1 JU5-K7761-00-00".

# BODY

Ref. No.	Part Number	Description	Qty	Remarks
1	JU6-K811A-00-00	COWL, FRONT .....	1	
2	JR6-F1551-00-00	FENDER, OVER .....	1	
3	JR6-F1555-00-00	FENDER, OVER 2 .....	1	
4	90267-48831-00	RIVET, BLIND .....	6	
5	90110-06836-00	BOLT, HEXAGON SOCKET HEAD .....	6	
6	JR6-F1546-00-00	STAY, FENDER 3 .....	6	
7	JU0-F4161-00-00	EMBLEM 1 .....	1	
8	JU0-K7573-00-00	NUT, SPECIAL .....	2	
9	JF2-K811V-00-00	PROTECTOR 1 .....	1	
10	JU0-K8261-00-00	PLATE, BODY PROTECT 1 ...	2	
11	90201-06829-00	WASHER, PLATE .....	10	
12	JF2-K8262-01-00	PLATE, BODY PROTECT 2 ...	1	
13	JF2-K8263-01-00	PLATE, BODY PROTECT 3 ...	1	
14	90185-06836-00	NUT, SELF-LOCKING .....	10	
15	JF2-K8264-00-00	PLATE, BODY PROTECT 4 ...	1	
16	9560P-06200-00	NUT, U-FLANGE .....	2	
17	JF2-K811W-00-00	PROTECTOR 2 .....	1	
18	JF2-K8265-00-00	PLATE, BODY PROTECT 5 ...	1	
19	9560P-06200-00	NUT, U-FLANGE .....	2	
20	JF2-K811X-00-00	PROTECTOR 3 .....	1	
21	JF2-78273-01-00	COVER, HOLE .....	1	
22	90269-11042-00	RIVET .....	3	
23	JU6-K8114-00-00	PANEL, FRONT .....	1	SEE NOTE A
24	90269-08066-00	RIVET .....	3	
25	JN3-K815G-00-00	SEAL, FRONT STORAGE ....	1	
26	JF2-K835E-00-00	HOLDER, BEVERAGE .....	1	
27	90201-068R6-00	WASHER, PLATE .....	2	
28	9770P-60130-00	SCREW, TAPPING .....	2	
29	JU6-K7761-00-00	LABEL, WARNING 1 .....	1	SEE NOTE A

## CONTENTS

ACCELERATOR	B2
BODY	B7-8
BODY 2	B9
BODY FITTING	B10
BRAKE	A10-11
BRAKE 2	A12
BRAKE 3	B1
BUMPER	B6
CARRIER JU6-300101-	C1-2
CARRIER ~JU6-300100	B11-12
CONTROLLER 1	C6-7
ELECTRIC MOTOR	C4
ELECTRICAL 1	C8-10
FRAME	A5
FRONT SUSPENSION WHEEL	A6-7
HEADLIGHT	C5
REAR ARM SUSPENSION	A4
REAR AXLE MOUNT WHEEL	B5
SEAT	C3
STEERING	A8-9
TRANSAXLE	B3-4
-MODELS IN THIS CATALOG	C11

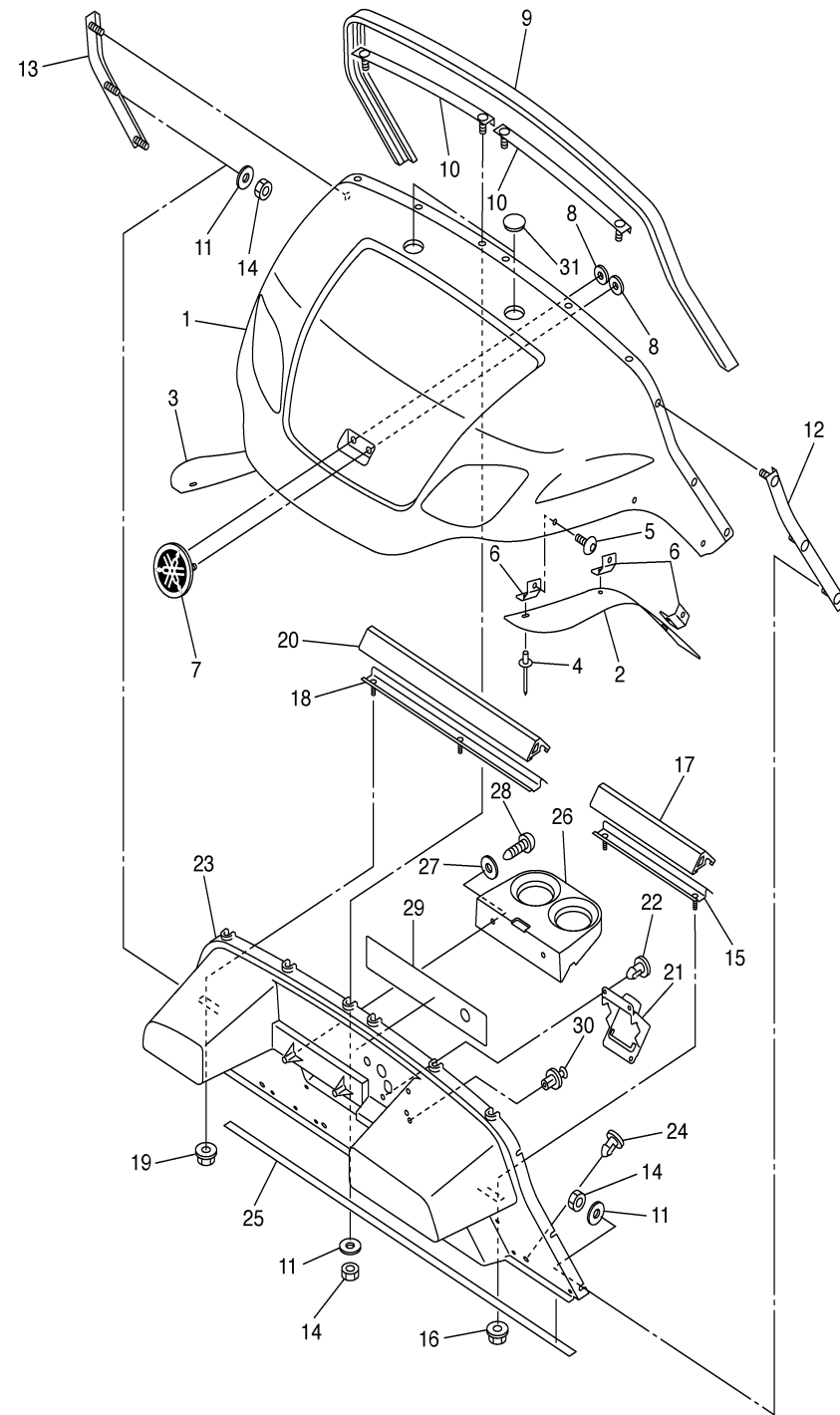
CONTINUED ON NEXT FRAME ➤



JU51110-C270

G23EZ\_EC

# BODY



Ref. No.	Part Number	Description	Qty	Remarks
30	90269-08069-00	RIVET .....	2	
31	JN3-K818E-00-00	CAP, PROTECTOR .....	2	

## CONTENTS

ACCELERATOR	B2
BODY	B7-8
BODY 2	B9
BODY FITTING	B10
BRAKE	A10-11
BRAKE 2	A12
BRAKE 3	B1
BUMPER	B6
CARRIER JU6-300101-	C1-2
CARRIER ~JU6-300100	B11-12
CONTROLLER 1	C6-7
ELECTRIC MOTOR	C4
ELECTRICAL 1	C8-10
FRAME	A5
FRONT SUSPENSION WHEEL	A6-7
HEADLIGHT	C5
REAR ARM SUSPENSION	A4
REAR AXLE MOUNT WHEEL	B5
SEAT	C3
STEERING	A8-9
TRANSAXLE	B3-4
-MODELS IN THIS CATALOG	C11

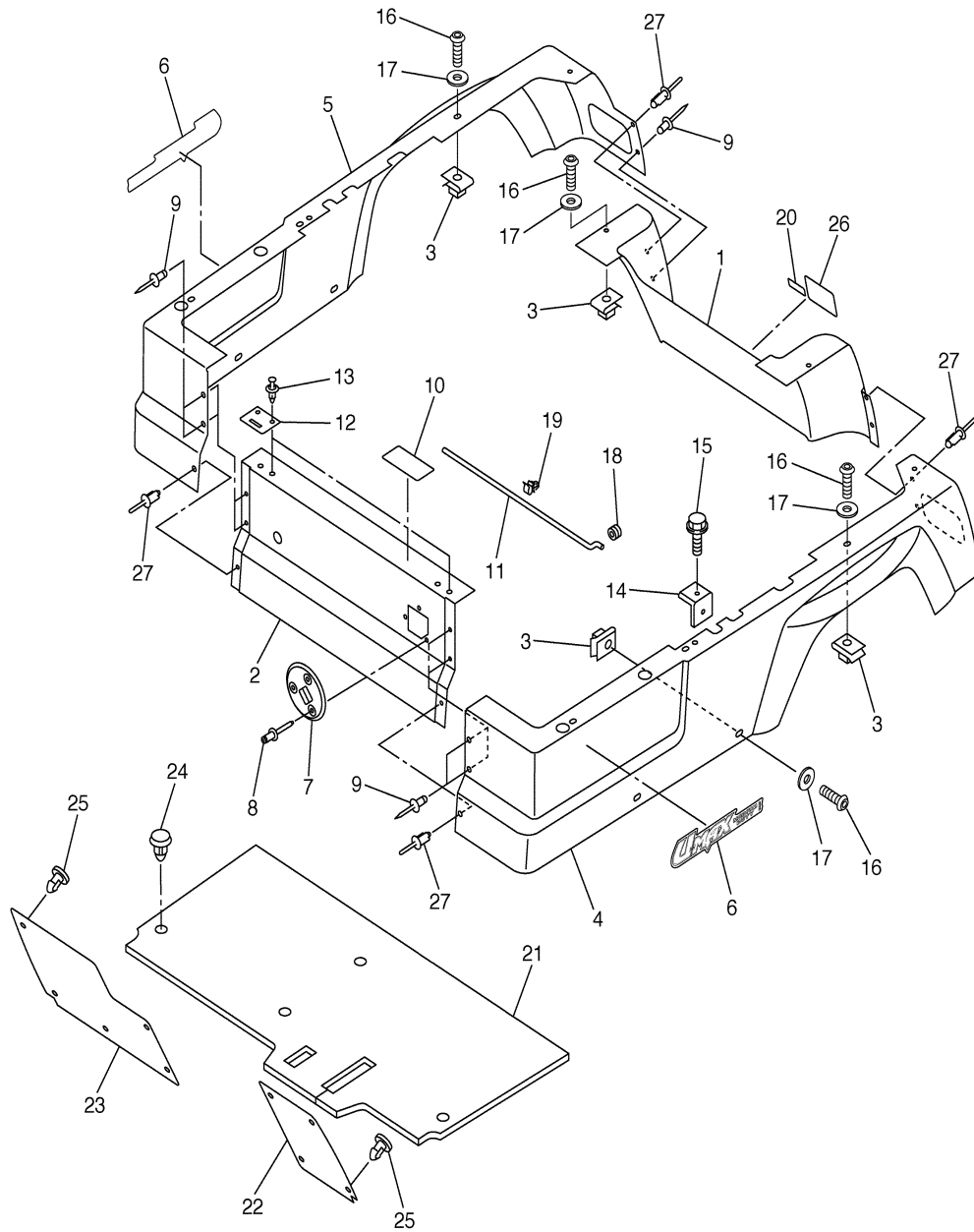
NOTE A: WHEN REPLACING " PANEL FRONT JU7-K8114-00-00", YOU SHOULD ALSO REPLACE "LABEL WARNING 1 JU5-K7761-00-00".



JU51110-C270

G23EZ\_EC

# BODY 2



Ref. No.	Part Number	Description	Qty	Remarks
1	JU9-K8142-00-00	PANEL, REAR BODY .....	1	SEE NOTE A
2	JU6-K8141-00-00	PANEL, INTERMEDIATE BODY	1	SEE NOTE B
3	90183-06811-00	NUT, SPRING .....	14	
4	JU9-K8111-00-00	PANEL, BODY SHELL .....	1	
5	JU9-K8112-00-00	PANEL, BODY SHELL .....	1	
6	JU5-F1781-00-00	EMBLEM 1 .....	2	
7	JN4-K827A-00-00	GUIDE 1 .....	1	
8	90267-60840-00	RIVET, BLIND .....	3	
9	90267-36853-00	RIVET, BLIND .....	6	
10	JU6-K7765-00-00	LABEL, WARNING 5 .....	1	SEE NOTE B
11	JJ3-K8226-00-00	ROD, SEAT STOPPER .....	1	
12	JJ3-K8427-01-00	HINGE, SEAT 2 .....	2	
13	90267-64834-00	RIVET, BLIND .....	4	
14	JU9-K814H-00-00	HOOK, BODY LOCK .....	2	
15	90119-08800-00	BOLT, HEX. WITH WASHER ..	2	
16	90110-06836-00	BOLT, HEXAGON SOCKET HEAD .....	14	
17	90201-068R6-00	WASHER, PLATE .....	14	
18	90480-13018-00	GROMMET .....	1	
19	90464-10814-00	CLAMP .....	1	
20	JJ3-K7765-00-00	LABEL, WARNING 5 .....	1	SEE NOTE A
21	JN6-K8233-01-00	MAT, MAIN FLOOR 3 .....	1	
22	JN6-K8231-01-00	MAT, MAIN FLOOR 1 .....	1	
23	JN6-K8232-01-00	MAT, MAIN FLOOR 2 .....	1	
24	90269-08813-00	RIVET .....	4	
25	90267-63047-00	RIVET, BLIND .....	9	
26	JU5-K7768-00-00	LABEL, WARNING .....	1	SEE NOTE A
27	90267-62841-00	RIVET, BLIND .....	4	

## CONTENTS

ACCELERATOR	B2
BODY	B7-8
BODY 2	B9
BODY FITTING	B10
BRAKE	A10-11
BRAKE 2	A12
BRAKE 3	B1
BUMPER	B6
CARRIER JU6-300101-	C1-2
CARRIER ~JU6-300100	B11-12
CONTROLLER 1	C6-7
ELECTRIC MOTOR	C4
ELECTRICAL 1	C8-10
FRAME	A5
FRONT SUSPENSION WHEEL	A6-7
HEADLIGHT	C5
REAR ARM SUSPENSION	A4
REAR AXLE MOUNT WHEEL	B5
SEAT	C3
STEERING	A8-9
TRANSAXLE	B3-4
-MODELS IN THIS CATALOG	C11

NOTE A: WHEN REPLACING "PANEL REAR BODY JU9-K8142-00-00", YOU MUST ALSO REPLACE "LABEL WARNING 5 JJ3-K7765-00-00", AND "LABEL WARNING JU5-K7768-00-00".

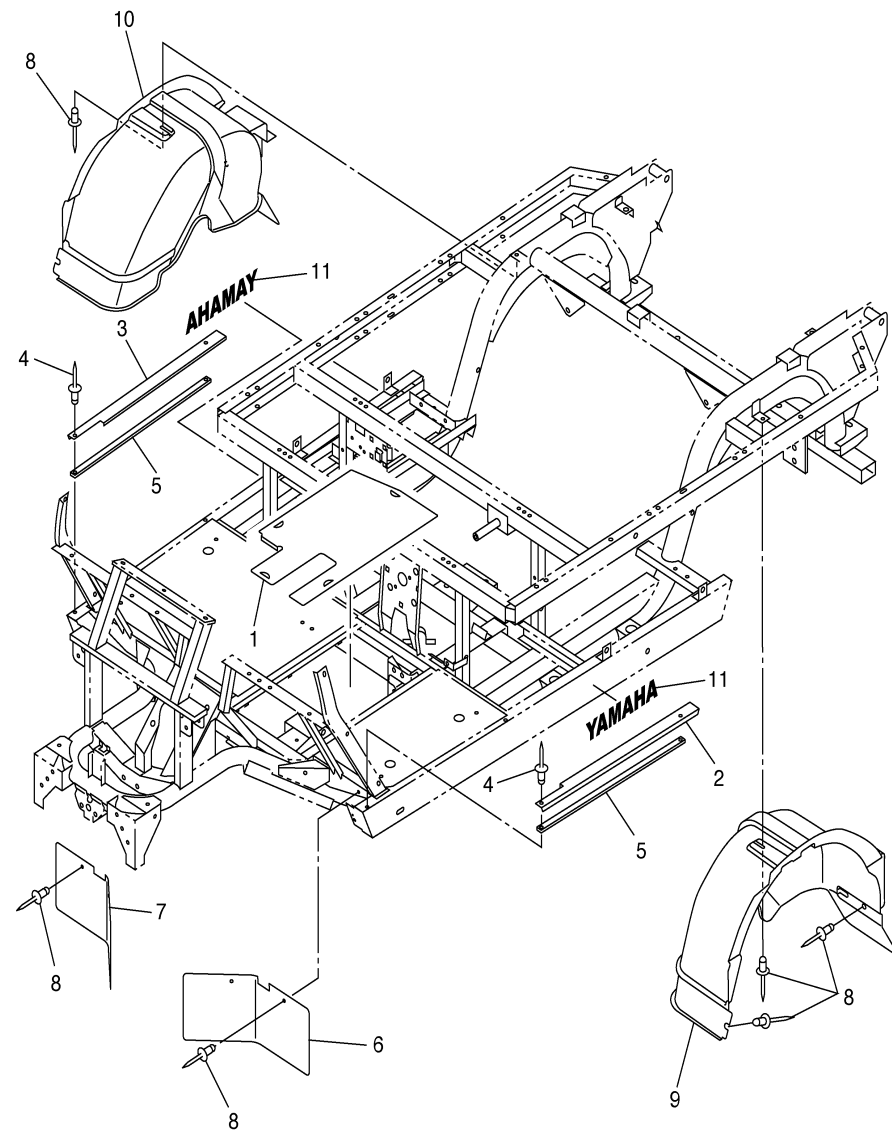
NOTE B: WHEN REPLACING "PANEL INTERMEDIATE BODY JU6-K8141-00-00", YOU MUST ALSO REPLACE "LABEL WARNING 5 JU6-K7765-00-00".



JU61110-C130

G23EZ\_EC

# BODY FITTING



Ref. No.	Part Number	Description	Qty	Remarks
1	JN6-K8271-00-00	SERVICE LID, PEDAL	1	
2	JF2-K8215-10-00	PLATE, SIDE TRIM	1	
3	JF2-K821F-10-00	PLATE, SIDE TRIM	1	
4	90267-48154-00	RIVET, BLIND	4	
5	JJ3-K8124-00-00	REINFORCEMENT 4	2	
6	JF2-K8187-00-00	FLAP, FRONT FENDER LEFT	1	
7	JF2-K8189-00-00	FLAP, FRONT FENDER RIGHT	1	
8	90267-48831-00	RIVET, BLIND	10	
9	JJ3-K8191-00-00	PANEL, REAR FENDER 1	1	
10	JJ3-K8192-00-00	PANEL, REAR FENDER 2	1	
11	JW5-F153A-00-00	EMBLEM, YAMAHA	2	

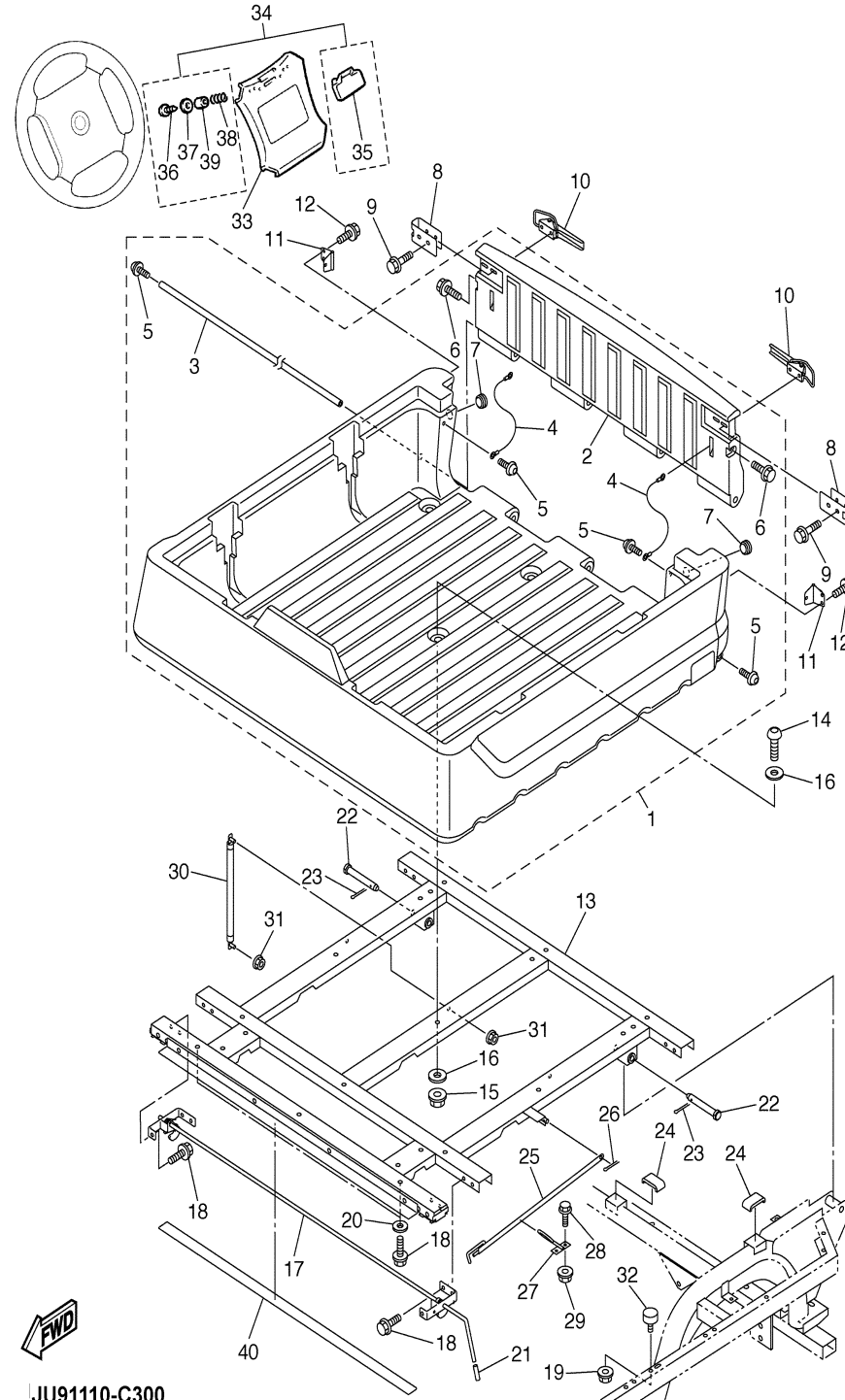
## CONTENTS

ACCELERATOR	B2
BODY	B7-8
BODY 2	B9
BODY FITTING	B10
BRAKE	A10-11
BRAKE 2	A12
BRAKE 3	B1
BUMPER	B6
CARRIER JU6-300101-	C1-2
CARRIER ~JU6-300100	B11-12
CONTROLLER 1	C6-7
ELECTRIC MOTOR	C4
ELECTRICAL 1	C8-10
FRAME	A5
FRONT SUSPENSION WHEEL	A6-7
HEADLIGHT	C5
REAR ARM SUSPENSION	A4
REAR AXLE MOUNT WHEEL	B5
SEAT	C3
STEERING	A8-9
TRANSAXLE	B3-4
-MODELS IN THIS CATALOG	C11



JW51110-C290

# CARRIER ~JU6-300100



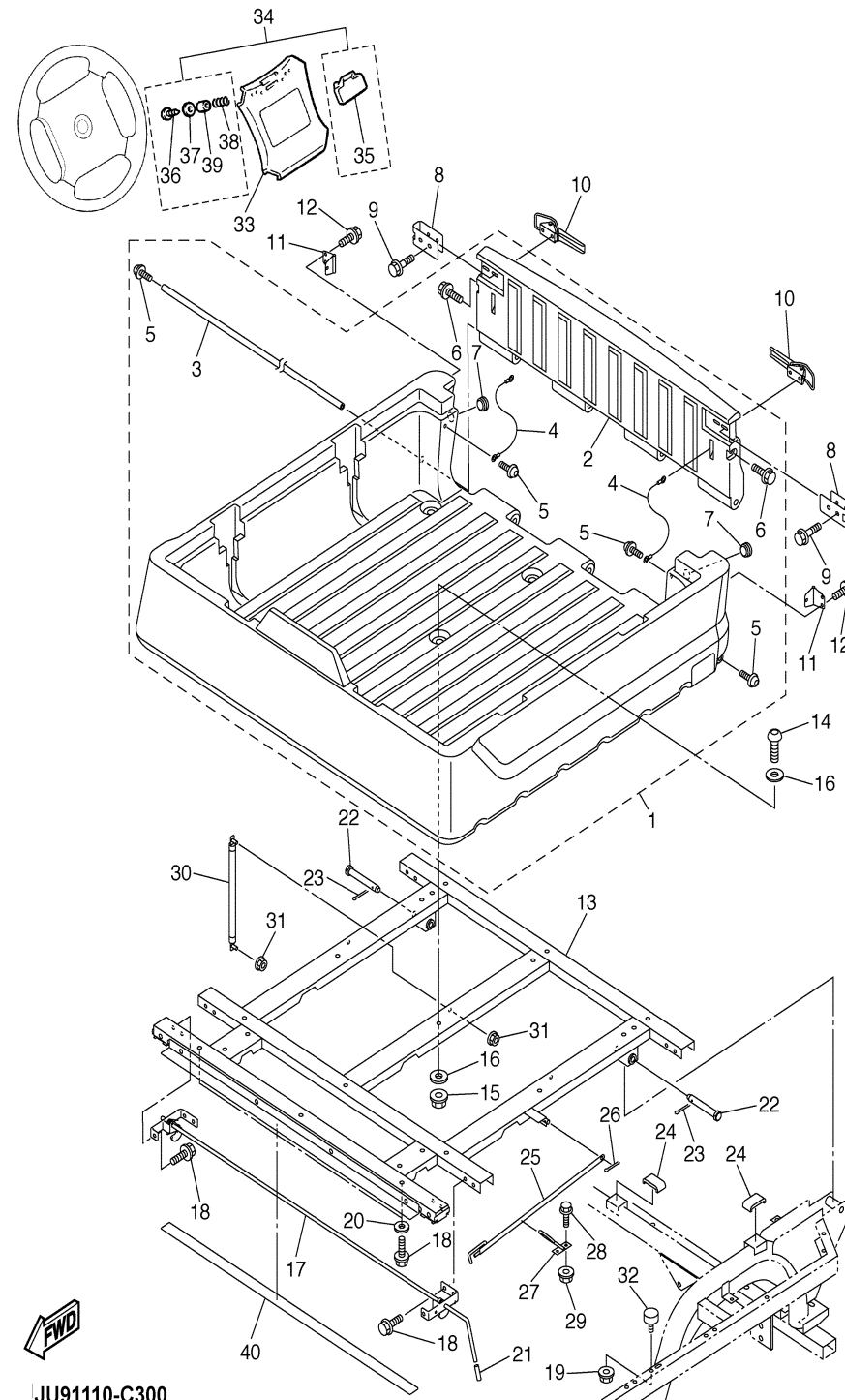
Ref. No.	Part Number	Description	Qty	Remarks
1	JU5-K810M-00-00	REAL STORAGE BOX COMP. . . . .	1	
2	JU9-K819K-00-00	. SHELL, RR. STORAGE LID . . . . .	1	
3	JU9-K8564-00-00	. PIN, HINGE . . . . .	1	
4	JU9-K7195-00-00	. HOLDER, CABLE . . . . .	2	
5	JU9-K6179-00-00	. BOLT, SPECIAL 1 . . . . .	4	
6	JU9-K6189-00-00	. BOLT, SPECIAL 2 . . . . .	2	
7	JU9-K7739-10-00	. DAMPER, LID . . . . .	2	
8	JU9-K7171-00-00	BODY, LATCH 1 . . . . .	2	
9	JU9-K8384-00-00	BOLT . . . . .	4	
10	5UG-F389E-00-00	LATCH . . . . .	2	
11	JU9-K7172-00-00	BODY, LATCH 2 . . . . .	2	
12	90119-06830-00	BOLT, HEX. W/WASHER . . . . .	6	
13	JU9-K818N-00-00	BED, BOX . . . . .	1	
14	90111-10800-00	BOLT, BUTTON HEAD . . . . .	7	
15	9560P-10200-00	NUT, U-FLANGE . . . . .	7	
16	90201-10830-00	WASHER, PLATE . . . . .	12	
17	JU9-K8380-01-00	LOCK ASSY . . . . .	1	
18	9582P-08020-00	BOLT, FLANGE . . . . .	8	
19	9560P-08200-00	NUT, SELF-LOCKING . . . . .	2	
20	90201-088P7-00	WASHER, PLATE . . . . .	2	
21	JJ3-K818M-00-00	CAP, PROTECTOR END 4 . . . . .	1	
22	90240-13801-00	PIN, CLEVIS . . . . .	2	
23	91401-30025-00	PIN, SPLIT . . . . .	2	
24	JJ3-K815H-01-00	DAMPER, LOCK . . . . .	3	
25	JU5-K8158-00-00	ROD, INSPECTION LID . . . . .	1	
26	91401-20020-00	PIN, COTTER . . . . .	1	
27	JJ3-K8369-00-00	PIN, LEVER . . . . .	1	
28	90119-06830-00	BOLT, HEX. W/WASHER . . . . .	2	
29	9560P-06200-00	NUT, U-FLANGE . . . . .	2	
30	JJ3-K7588-00-00	DAMPER 1 . . . . .	1	

## CONTENTS

ACCELERATOR	B2
BODY	B7-8
BODY 2	B9
BODY FITTING	B10
BRAKE	A10-11
BRAKE 2	A12
BRAKE 3	B1
BUMPER	B6
CARRIER JU6-300101-	C1-2
CARRIER ~JU6-300100	B11-12
CONTROLLER 1	C6-7
ELECTRIC MOTOR	C4
ELECTRICAL 1	C8-10
FRAME	A5
FRONT SUSPENSION WHEEL	A6-7
HEADLIGHT	C5
REAR ARM SUSPENSION	A4
REAR AXLE MOUNT WHEEL	B5
SEAT	C3
STEERING	A8-9
TRANSAXLE	B3-4
-MODELS IN THIS CATALOG	C11

CONTINUED ON NEXT FRAME >

# CARRIER ~JU6-300100



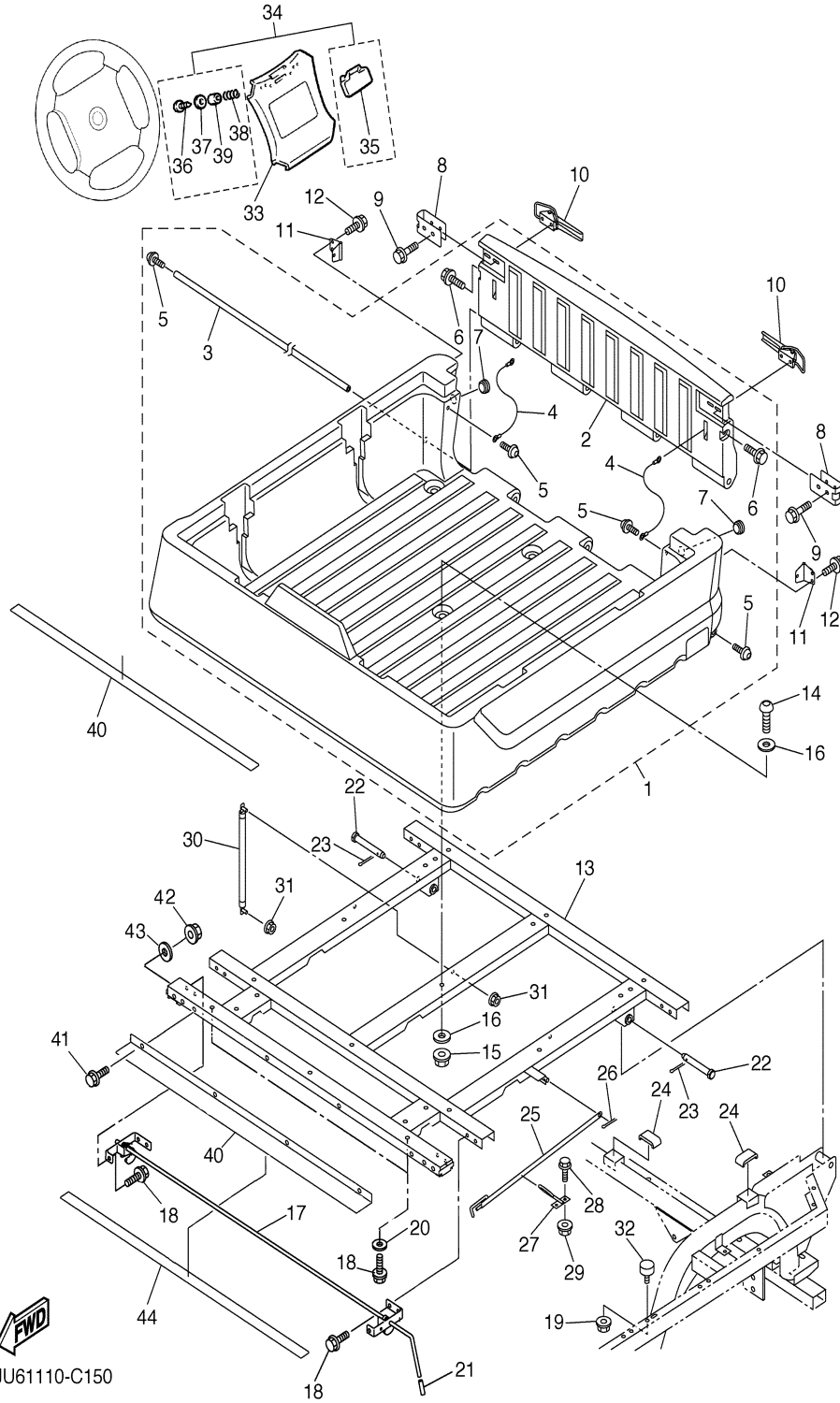
Ref. No.	Part Number	Description	Qty	Remarks
31	9560P-08200-00	NUT, SELF-LOCKING .....	2	
32	JU5-K8167-10-00	BUMPER, RUBBER 1 .....	2	
33	JN3-K8357-00-00	HOLDER 1 .....	1	
34	JN6-W001D-00-00	SCORE CARD HOLDER KIT ..	1	
35	JN6-K8358-01-00	. HOLDER 2 .....	1	
36	97707-40525-00	. SCREW, TAPPING .....	2	
37	90201-048R5-00	. WASHER, PLATE .....	2	
38	90502-10013-00	. SPRING, CONICAL .....	2	
39	90387-046N7-00	. COLLAR .....	2	
40	JU6-K7319-00-00	DAMPER 1 .....	1	

## CONTENTS

ACCELERATOR	B2
BODY	B7-8
BODY 2	B9
BODY FITTING	B10
BRAKE	A10-11
BRAKE 2	A12
BRAKE 3	B1
BUMPER	B6
CARRIER JU6-300101-	C1-2
CARRIER ~JU6-300100	B11-12
CONTROLLER 1	C6-7
ELECTRIC MOTOR	C4
ELECTRICAL 1	C8-10
FRAME	A5
FRONT SUSPENSION WHEEL	A6-7
HEADLIGHT	C5
REAR ARM SUSPENSION	A4
REAR AXLE MOUNT WHEEL	B5
SEAT	C3
STEERING	A8-9
TRANSAXLE	B3-4
-MODELS IN THIS CATALOG	C11



# CARRIER JU6-300101~



JU61110-C150

G23EZ\_EC

Ref. No.	Part Number	Description	Qty	Remarks
1	JU5-F810M-00-00	REAR STORAGE BOX COMP. . .	1	
2	JU9-K819K-00-00	. SHELL, RR. STORAGE LID . .	1	
3	JU9-K8564-00-00	. PIN, HINGE . . . . .	1	
4	JU9-K7195-00-00	. HOLDER, CABLE . . . . .	2	
5	JU9-K6179-00-00	. BOLT, SPECIAL 1 . . . . .	4	
6	JU9-K6189-00-00	. BOLT, SPECIAL 2 . . . . .	2	
7	JU9-K7739-10-00	. DAMPER, LID . . . . .	2	
8	JU9-K7171-00-00	BODY, LATCH 1 . . . . .	2	
9	JU9-K8384-00-00	BOLT . . . . .	4	
10	5UG-F389E-00-00	LATCH . . . . .	2	
11	JU9-K7172-00-00	BODY, LATCH 2 . . . . .	2	
12	90119-06830-00	BOLT, HEX. WWASHER . . . . .	6	
13	JU9-K818N-01-00	BED, BOX . . . . .	1	
14	9011-100800-00	BOLT, BUTTON HEAD . . . . .	7	
15	9560P-10200-00	NUT, U-FLANGE . . . . .	7	
16	90201-10830-00	WASHER, PLATE . . . . .	12	
17	JU9-K8380-01-00	LOCK ASSY . . . . .	1	
18	9582P-08020-00	BOLT, FLANGE . . . . .	8	
19	9560P-08200-00	NUT, SELF-LOCKING . . . . .	2	
20	90201-088P7-00	WASHER, PLATE . . . . .	2	
21	JJ3-K818M-00-00	CAP, PROTECTOR END 4 . . . .	1	
22	90240-13801-00	PIN, CLEVIS . . . . .	2	
23	91401-30025-00	PIN, SPLIT . . . . .	2	
24	JJ3-K815H-01-00	DAMPER, LOCK . . . . .	3	
25	JU5-K8158-00-00	ROD, INSPECTION LID . . . . .	1	
26	91401-20020-00	PIN, COTTER . . . . .	1	
27	JJ3-K8369-00-00	PIN, LEVER . . . . .	1	
28	90119-06830-00	BOLT, HEX. WWASHER . . . . .	2	
29	9560P-06200-00	NUT, U-FLANGE . . . . .	2	
30	JJ3-K7588-00-00	DAMPER 1 . . . . .	1	

CONTINUED ON NEXT FRAME ►

## CONTENTS

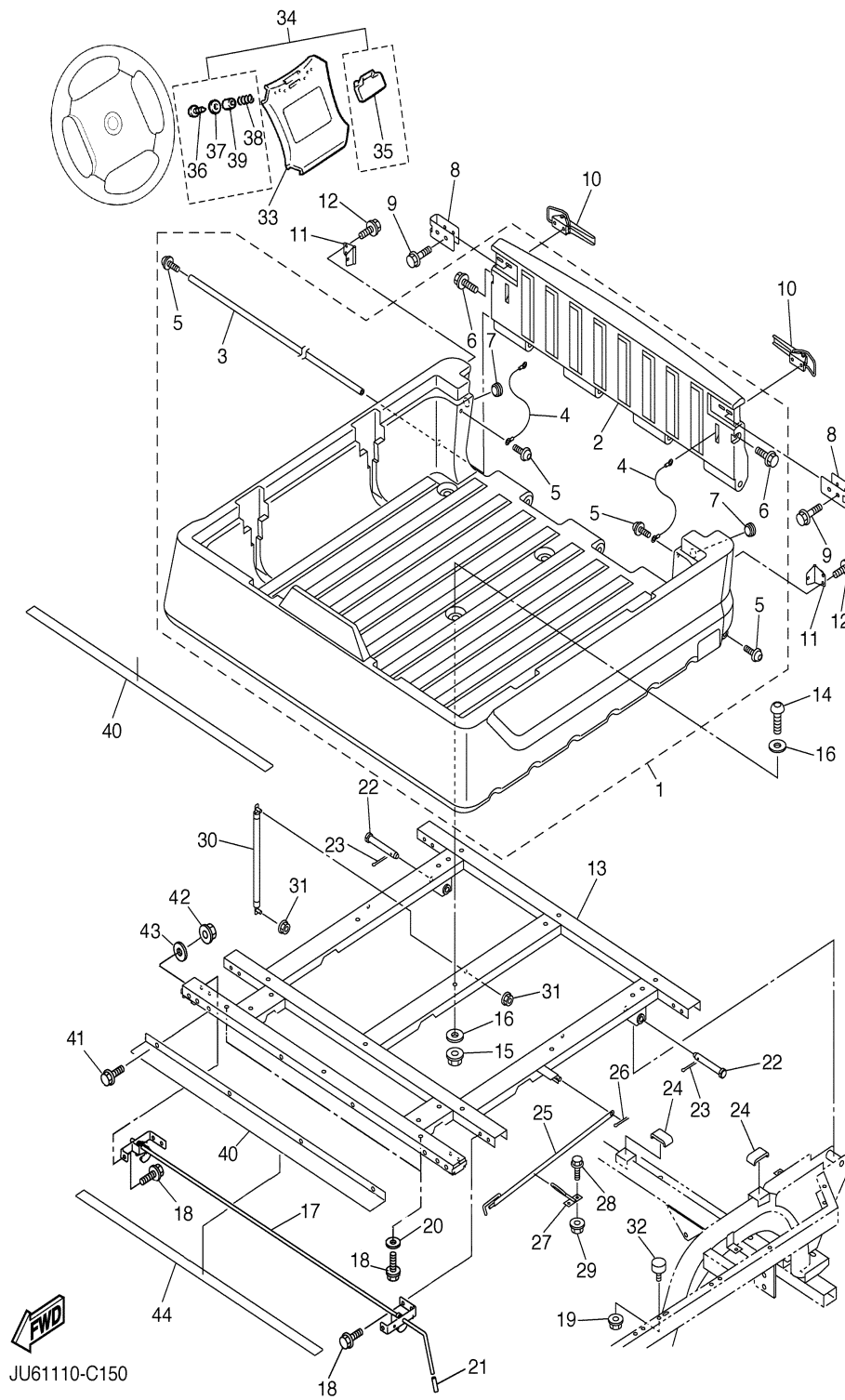
ACCELERATOR	B2
BODY	B7-8
BODY 2	B9
BODY FITTING	B10
BRAKE	A10-11
BRAKE 2	A12
BRAKE 3	B1
BUMPER	B6
CARRIER JU6-300101~	C1-2
CARRIER ~JU6-300100	B11-12
CONTROLLER 1	C6-7
ELECTRIC MOTOR	C4
ELECTRICAL 1	C8-10
FRAME	A5
FRONT SUSPENSION WHEEL	A6-7
HEADLIGHT	C5
REAR ARM SUSPENSION	A4
REAR AXLE MOUNT WHEEL	B5
SEAT	C3
STEERING	A8-9
TRANSAXLE	B3-4
~MODELS IN THIS CATALOG	C11

# CARRIER JU6-300101~

Ref. No.	Part Number	Description	Qty	Remarks
31	9560P-08200-00	NUT, SELF-LOCKING .....	2	
32	JU5-K8167-10-00	BUMPER, RUBBER 1 .....	2	
33	JN3-K8357-00-00	HOLDER 1 .....	1	
34	JN6-W001D-00-00	SCORE CARD HOLDER KIT ..	1	
35	JN6-K8358-01-00	. HOLDER 2 .....	1	
36	97707-40525-00	. SCREW, TAPPING .....	2	
37	90201-048R5-00	. WASHER, PLATE .....	2	
38	90502-10013-00	. SPRING, CONICAL .....	2	
39	90387-046N7-00	. COLLAR .....	2	
40	JU9-K8284-01-00	COVER, 4 .....	1	
41	9582P-06016-00	BOLT, FLANGE .....	4	
42	9560P-06200-00	NUT, U-FLANGE .....	4	
43	90201-068R3-00	WASHER, PLATE .....	4	
44	JU6-K7319-00-00	DAMPER 1 .....	1	

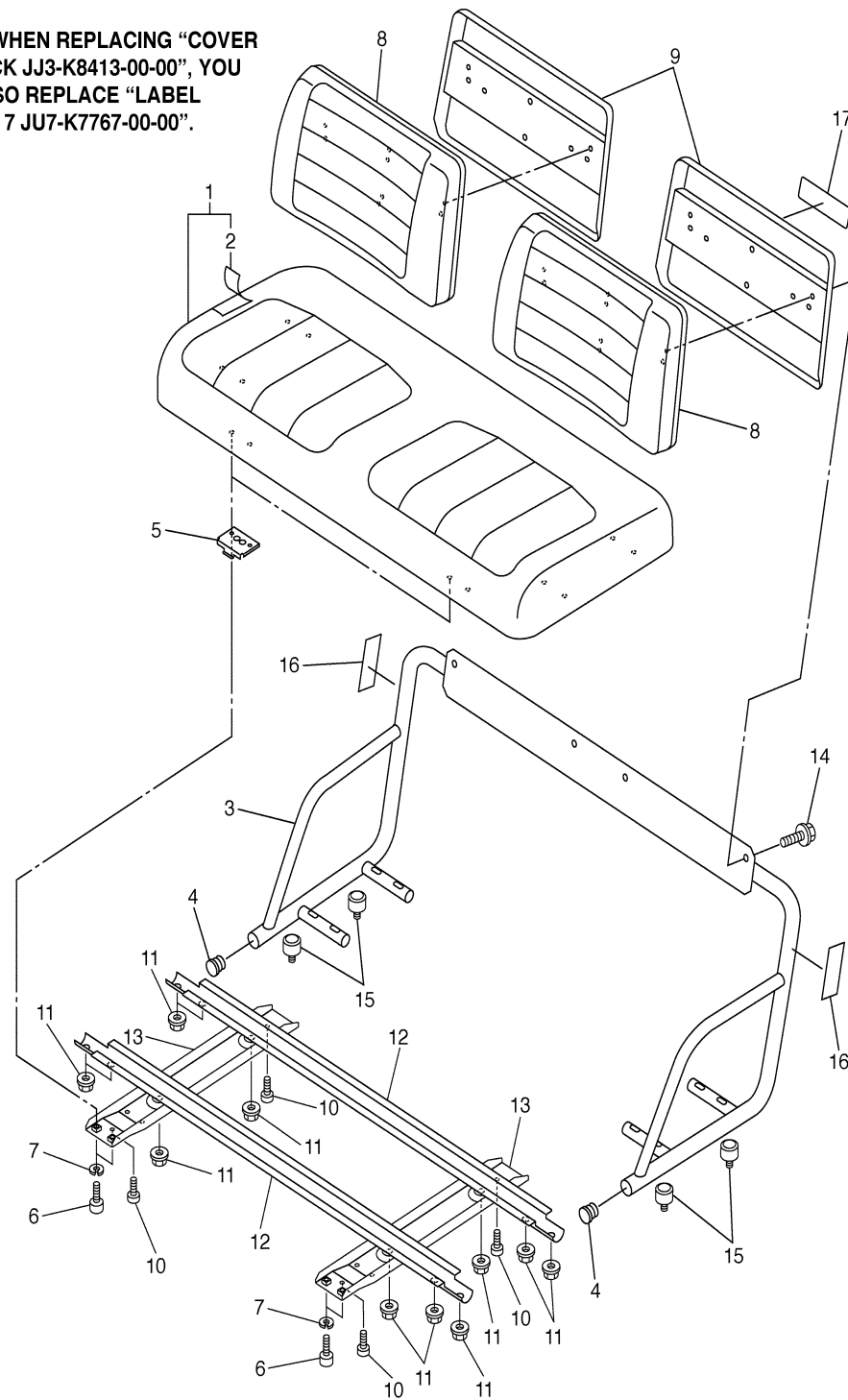
## CONTENTS

ACCELERATOR	B2
BODY	B7-8
BODY 2	B9
BODY FITTING	B10
BRAKE	A10-11
BRAKE 2	A12
BRAKE 3	B1
BUMPER	B6
CARRIER JU6-300101~	C1-2
CARRIER ~JU6-300100	B11-12
CONTROLLER 1	C6-7
ELECTRIC MOTOR	C4
ELECTRICAL 1	C8-10
FRAME	A5
FRONT SUSPENSION WHEEL	A6-7
HEADLIGHT	C5
REAR ARM SUSPENSION	A4
REAR AXLE MOUNT WHEEL	B5
SEAT	C3
STEERING	A8-9
TRANSAXLE	B3-4
~MODELS IN THIS CATALOG	C11



JU61110-C150

NOTE B: WHEN REPLACING "COVER SEAT BACK JJ3-K8413-00-00", YOU MUST ALSO REPLACE "LABEL WARNING 7 JU7-K7767-00-00".



NOTE A: WHEN REPLACING "SEAT ASSY 2 JU9-K8420-00-00", YOU MUST ALSO REPLACE "LABEL WARNING 4 5UG-K7764-00-00".

# SEAT

Ref. No.	Part Number	Description	Qty	Remarks
1	JU9-K8401-00-00	SEAT SUB-ASSY, CUSHION ..	1	
2	JU9-K8404-00-00	. COVER, SEAT .....	1	
3	JU9-K8420-00-00	SEAT ASSY 2 .....	1	SEE NOTE A
4	JU7-F111A-00-00	CAP, MAIN PIPE .....	2	
5	JN3-K8426-01-00	HINGE, SEAT MALE .....	2	
6	90111-06810-00	BOLT, HEX .....	4	
7	90204-06807-00	WASHER, SPRING .....	4	
8	JU7-K8402-00-00	SEAT SUB ASSY, BACK .....	2	
9	JJ3-K8413-10-00	COVER, SEAT BACK .....	2	SEE NOTE B
10	90167-04815-00	SCREW, PAN HEAD TAP .....	4	
11	9560P-08200-00	NUT, SELF-LOCKING .....	12	
12	JN6-K8121-00-00	REINFORCEMENT 1 .....	2	
13	JN6-K8122-02-00	REINFORCEMENT 2 .....	2	
14	90119-06837-00	BOLT, HEX. WITH WASHER ..	4	
15	JU5-K8167-00-00	BUMPER, RUBBER 1 .....	4	
16	5UG-K7764-00-00	LABEL, WARNING 4 .....	2	SEE NOTE A
17	JU7-K7767-00-00	LABEL, WARNING 7 .....	1	SEE NOTE B

## CONTENTS

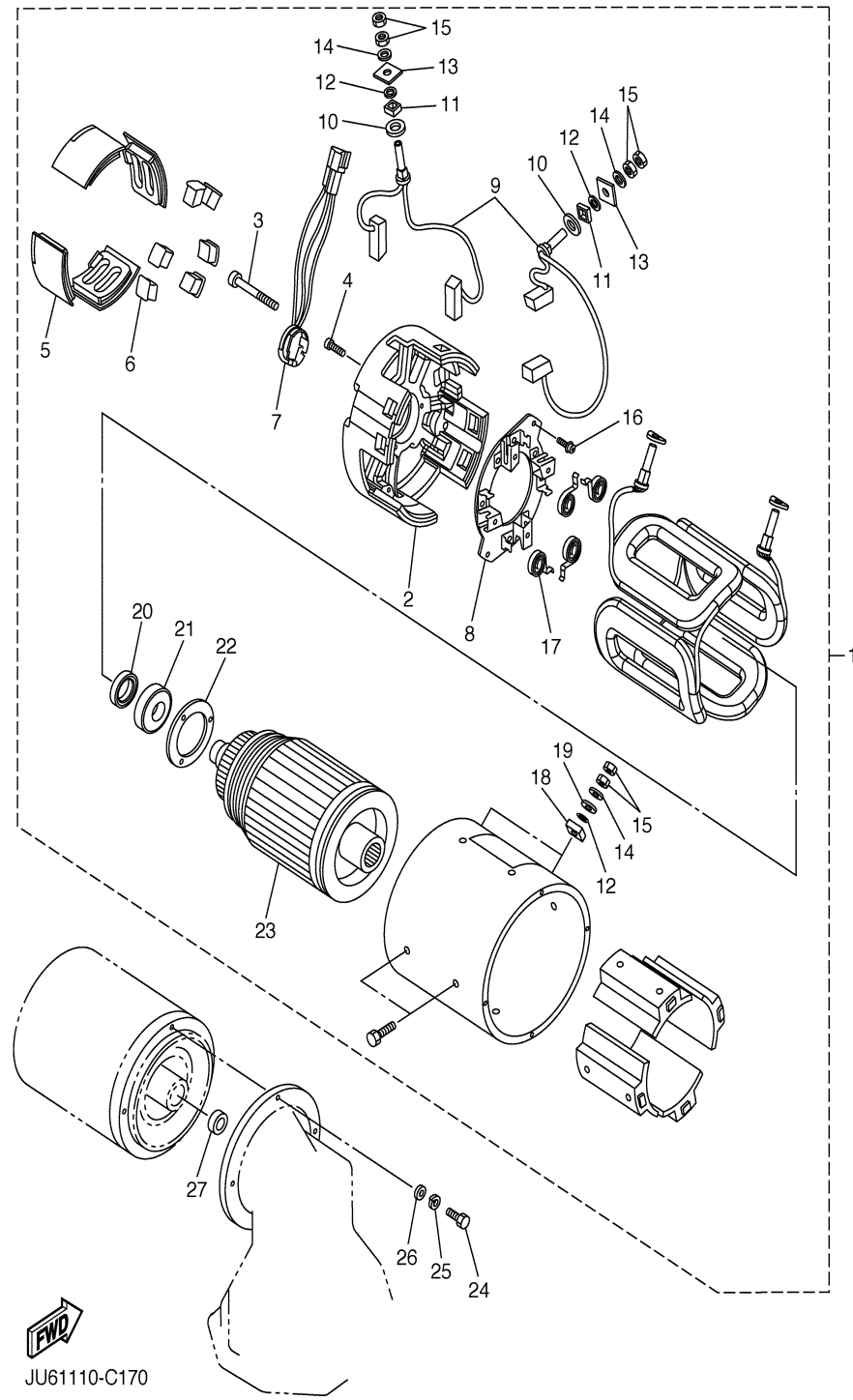
ACCELERATOR	B2
BODY	B7-8
BODY 2	B9
BODY FITTING	B10
BRAKE	A10-11
BRAKE 2	A12
BRAKE 3	B1
BUMPER	B6
CARRIER JU6-300101-	C1-2
CARRIER ~JU6-300100	B11-12
CONTROLLER 1	C6-7
ELECTRIC MOTOR	C4
ELECTRICAL 1	C8-10
FRAME	A5
FRONT SUSPENSION WHEEL	A6-7
HEADLIGHT	C5
REAR ARM SUSPENSION	A4
REAR AXLE MOUNT WHEEL	B5
SEAT	C3
STEERING	A8-9
TRANSAXLE	B3-4
-MODELS IN THIS CATALOG	C11



JW51110-C310

G23EZ\_EC

# ELECTRIC MOTOR



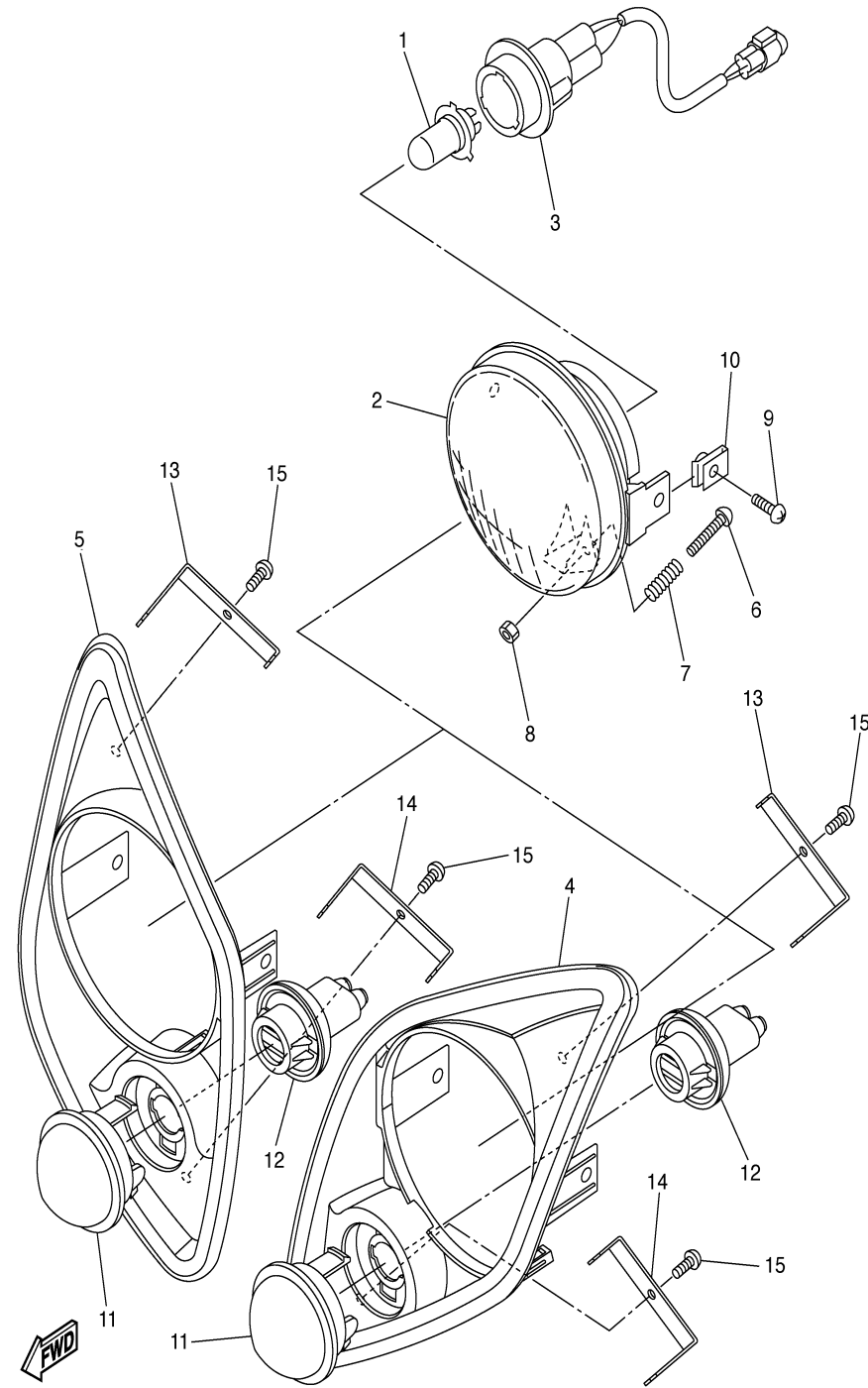
JU61110-C170

Ref. No.	Part Number	Description	Qty	Remarks
1	JU6-H1890-00-00	MOTOR ASSY	1	
2	JU6-H183J-00-00	. BRACKET, FRONT	1	
3	JU6-H1828-00-00	. BOLT 2	2	
4	JU6-H1846-00-00	. SCREW	3	
5	JU6-H1129-00-00	. COVER, BRUSH	4	
6	JU6-H1139-00-00	. COVER, BRUSH 2	6	
7	JU6-H1670-00-00	. PICK-UP ASSY	1	
8	JU6-H1840-00-00	. BRUSH HOLDER ASSY	1	
9	JU6-H1801-00-00	. BRUSH SET	1	
10	J56-H1824-00-00	. WASHER 2	2	
11	J56-H182G-00-00	. BUSH, TERMINAL	2	
12	J56-H1847-00-00	. O-RING	2	
13	J56-H1843-00-00	. WASHER 1	2	
14	J56-H181L-00-00	. WASHER, PLAIN	2	
15	JU6-H1872-00-00	. NUT, SPECIAL	8	
16	JU6-H1848-00-00	. SCREW, BRUSH HOLDER	2	
17	JU2-H1617-00-00	. SPRING, BRUSH	1	
18	JU6-H1824-00-00	. WASHER 2	2	
19	JU6-H1843-00-00	. WASHER 1	2	
20	JU6-H181K-00-00	. MAGNET	1	
21	JU6-H185B-00-00	. BEARING 1	1	
22	JU6-H1856-00-00	. RETAINER	1	
23	JU6-H1850-00-00	. ARMATURE ASSY	1	
24	90101-06857-00	BOLT	3	
25	90215-06811-00	WASHER, LOCK	3	
26	90201-068E2-00	WASHER, PLATE	3	
27	JH7-H1829-00-00	GROMMET	1	

## CONTENTS

ACCELERATOR	B2
BODY	B7-8
BODY 2	B9
BODY FITTING	B10
BRAKE	A10-11
BRAKE 2	A12
BRAKE 3	B1
BUMPER	B6
CARRIER JU6-300101-	C1-2
CARRIER ~JU6-300100	B11-12
CONTROLLER 1	C6-7
ELECTRIC MOTOR	C4
ELECTRICAL 1	C8-10
FRAME	A5
FRONT SUSPENSION WHEEL	A6-7
HEADLIGHT	C5
REAR ARM SUSPENSION	A4
REAR AXLE MOUNT WHEEL	B5
SEAT	C3
STEERING	A8-9
TRANSAXLE	B3-4
-MODELS IN THIS CATALOG	C11

# HEADLIGHT



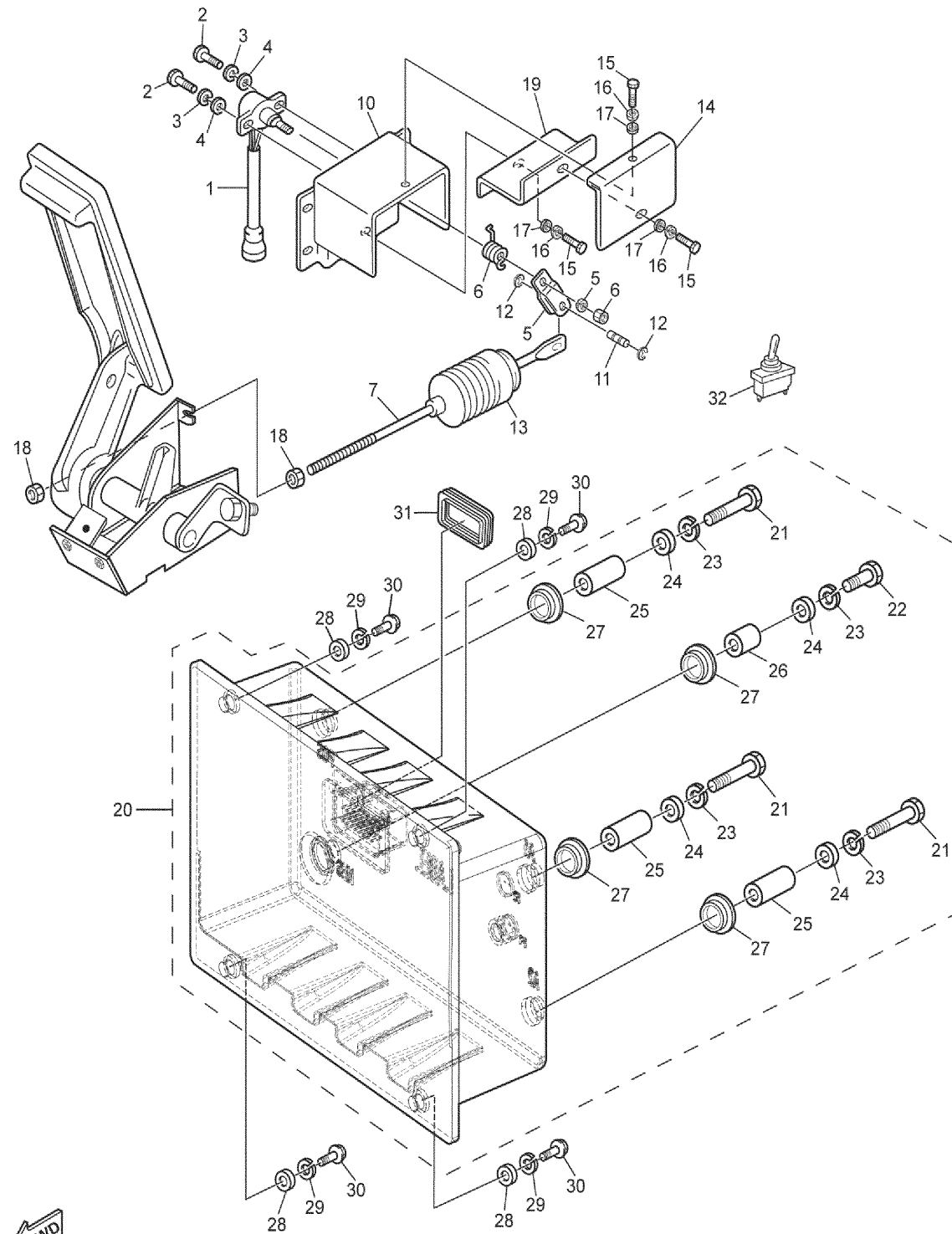
JU71110-C330

Ref. No.	Part Number	Description	Qty	Remarks
1	5FU-H4314-00-00	BULB, HEADLIGHT (12V-30/30W)	2	
2	5FU-H4320-00-00	LENS ASSY	2	
3	5FU-H4340-00-00	SOCKET CORD ASSY 1	2	
4	JU7-H411T-00-00	HOLDER, 1	1	LH ~JU6-300100
	JU7-H411T-02-00	HOLDER, 1	1	JU6-300101~
5	JU7-H411U-00-00	HOLDER, 2	1	RH ~JU6-300100
	JU7-H411U-02-00	HOLDER, 2	1	JU6-300101~
6	98507-03540-00	SCREW, PAN HEAD	2	
7	2GU-84332-00-00	SPRING, COMPRESSION	2	JU6-300101~
	90501-10060-00	SPRING, COMPRESSION	2	~JU6-300100
8	2GU-84334-00-00	NUT, ADJUSTING	2	
9	90150-05802-00	SCREW, ROUND HEAD	4	
10	90183-05008-00	NUT, SPRING	4	
11	JU7-H5415-00-00	MARK, SIGNAL LAMP	2	
12	JU7-H3547-00-00	COVER, SOCKET	2	
13	JU7-H4118-01-00	STAY, HEADLIGHT 1	2	
14	JU7-H4119-01-00	STAY, HEADLIGHT 2	2	
15	97707-40112-00	SCREW, TAPPING	4	

## CONTENTS

ACCELERATOR	B2
BODY	B7-8
BODY 2	B9
BODY FITTING	B10
BRAKE	A10-11
BRAKE 2	A12
BRAKE 3	B1
BUMPER	B6
CARRIER JU6-300101~	C1-2
CARRIER ~JU6-300100	B11-12
CONTROLLER 1	C6-7
ELECTRIC MOTOR	C4
ELECTRICAL 1	C8-10
FRAME	A5
FRONT SUSPENSION WHEEL	A6-7
HEADLIGHT	C5
REAR ARM SUSPENSION	A4
REAR AXLE MOUNT WHEEL	B5
SEAT	C3
STEERING	A8-9
TRANSAXLE	B3-4
~MODELS IN THIS CATALOG	C11

# CONTROLLER 1



JU6100-5191

Ref. No.	Part Number	Description	Qty	Remarks
1	JR1-85885-00-00	THROTTLE SENSOR ASSY ...	1	
2	98507-05016-00	SCREW, PAN HEAD .....	3	
3	92907-05100-00	WASHER, LOCK .....	3	
4	92907-05600-00	WASHER, PLATE .....	3	
5	JF3-2625H-00-00	ARM, THROTTLE .....	1	
6	JF3-27825-00-00	SPRING, RETURN .....	1	
7	JU2-F7241-00-00	ROD, JOINT .....	1	
8	9290P-06100-00	WASHER .....	1	
9	95307-06600-00	NUT .....	1	
10	JF3-27981-00-00	BRACKET, THROTTLE .....	1	
11	JF3-27813-00-00	PIN, PEDAL CRANK .....	1	
12	99001-04600-00	CIRCLIP .....	2	
13	JN4-F7486-00-00	COVER 1 .....	1	
14	JF3-27487-00-00	COVER 2 .....	1	
15	97007-05016-00	BOLT .....	6	
16	92907-05100-00	WASHER, LOCK .....	6	
17	92907-05600-00	WASHER, PLATE .....	6	
18	95307-08700-00	NUT, HEX. ....	2	
19	JF3-27445-00-00	PLATE 1 .....	1	
20	JU6-H6510-00-00	MOTOR CONTROL UNIT ASSY	1	
21	JU2-H332G-00-00	. BOLT, SPECIAL 1 .....	3	
22	JU2-H332H-00-00	. BOLT, SPECIAL 2 .....	1	
23	JU2-H2534-00-00	. WASHER, LOCK .....	4	
24	JU2-H2558-00-00	. WASHER .....	4	
25	JU2-H252S-00-00	SPACER, 1 .....	3	
26	JU2-H253S-00-00	SPACER, 2 .....	1	
27	JU2-H6115-00-00	GROMMET .....	4	
28	92907-06600-00	WASHER, PLAIN .....	4	
29	92907-06100-00	WASHER, SPRING .....	4	
30	97007-06020-00	BOLT .....	4	

## CONTENTS

ACCELERATOR	B2
BODY	B7-8
BODY 2	B9
BODY FITTING	B10
BRAKE	A10-11
BRAKE 2	A12
BRAKE 3	B1
BUMPER	B6
CARRIER JU6-300101-	C1-2
CARRIER ~JU6-300100	B11-12
CONTROLLER 1	C6-7
ELECTRIC MOTOR	C4
ELECTRICAL 1	C8-10
FRAME	A5
FRONT SUSPENSION WHEEL	A6-7
HEADLIGHT	C5
REAR ARM SUSPENSION	A4
REAR AXLE MOUNT WHEEL	B5
SEAT	C3
STEERING	A8-9
TRANSAXLE	B3-4
-MODELS IN THIS CATALOG	C11

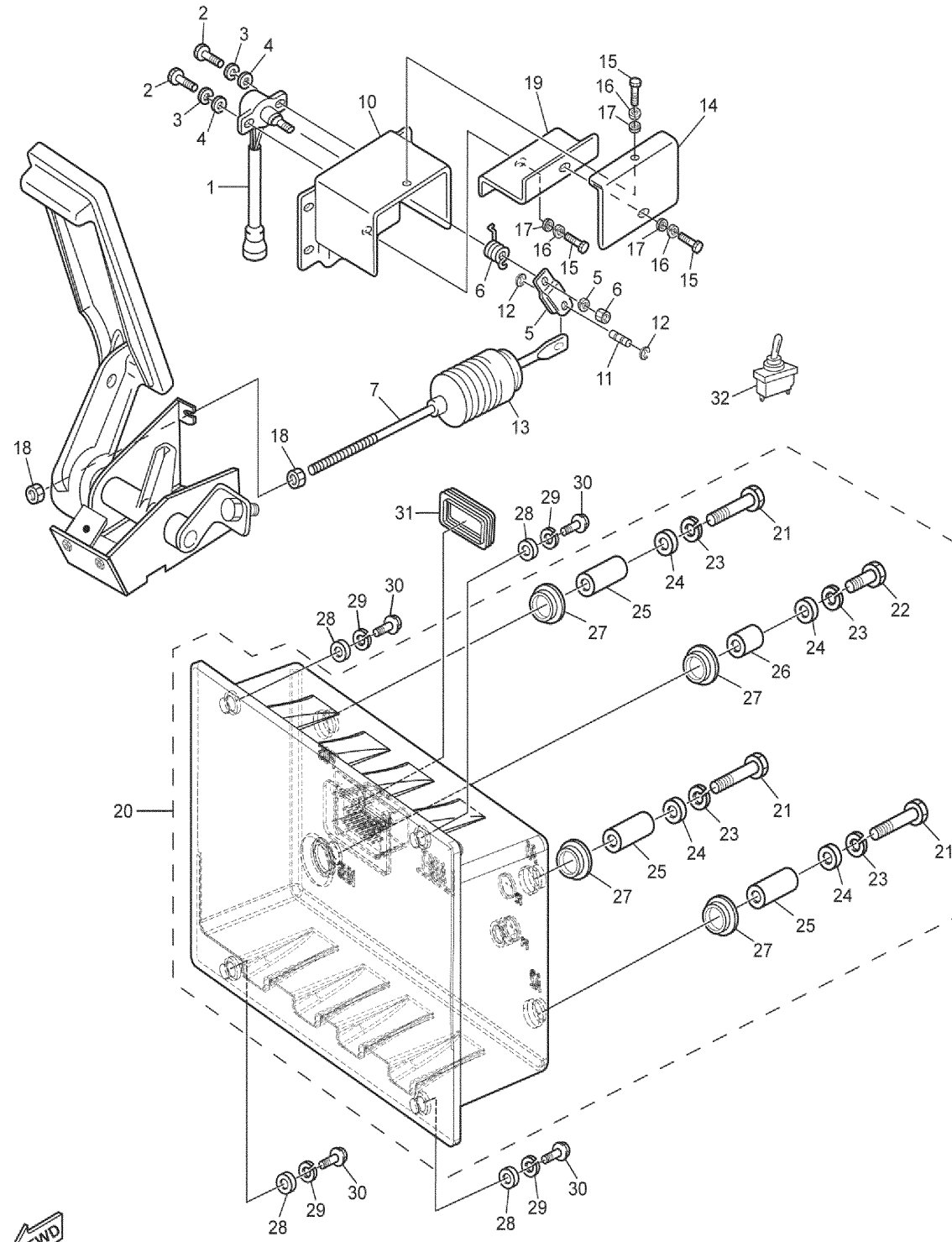
CONTINUED ON NEXT FRAME ►

# CONTROLLER 1

Ref. No.	Part Number	Description	Qty	Remarks
31	JR1-H215D-00-00	SEAL MCU, CANNON PLUG ..	1	
32	JR1-H2727-00-00	SWITCH .....	1	

## CONTENTS

ACCELERATOR	B2
BODY	B7-8
BODY 2	B9
BODY FITTING	B10
BRAKE	A10-11
BRAKE 2	A12
BRAKE 3	B1
BUMPER	B6
CARRIER JU6-300101-	C1-2
CARRIER ~JU6-300100	B11-12
CONTROLLER 1	C6-7
ELECTRIC MOTOR	C4
ELECTRICAL 1	C8-10
FRAME	A5
FRONT SUSPENSION WHEEL	A6-7
HEADLIGHT	C5
REAR ARM SUSPENSION	A4
REAR AXLE MOUNT WHEEL	B5
SEAT	C3
STEERING	A8-9
TRANSAXLE	B3-4
-MODELS IN THIS CATALOG	C11



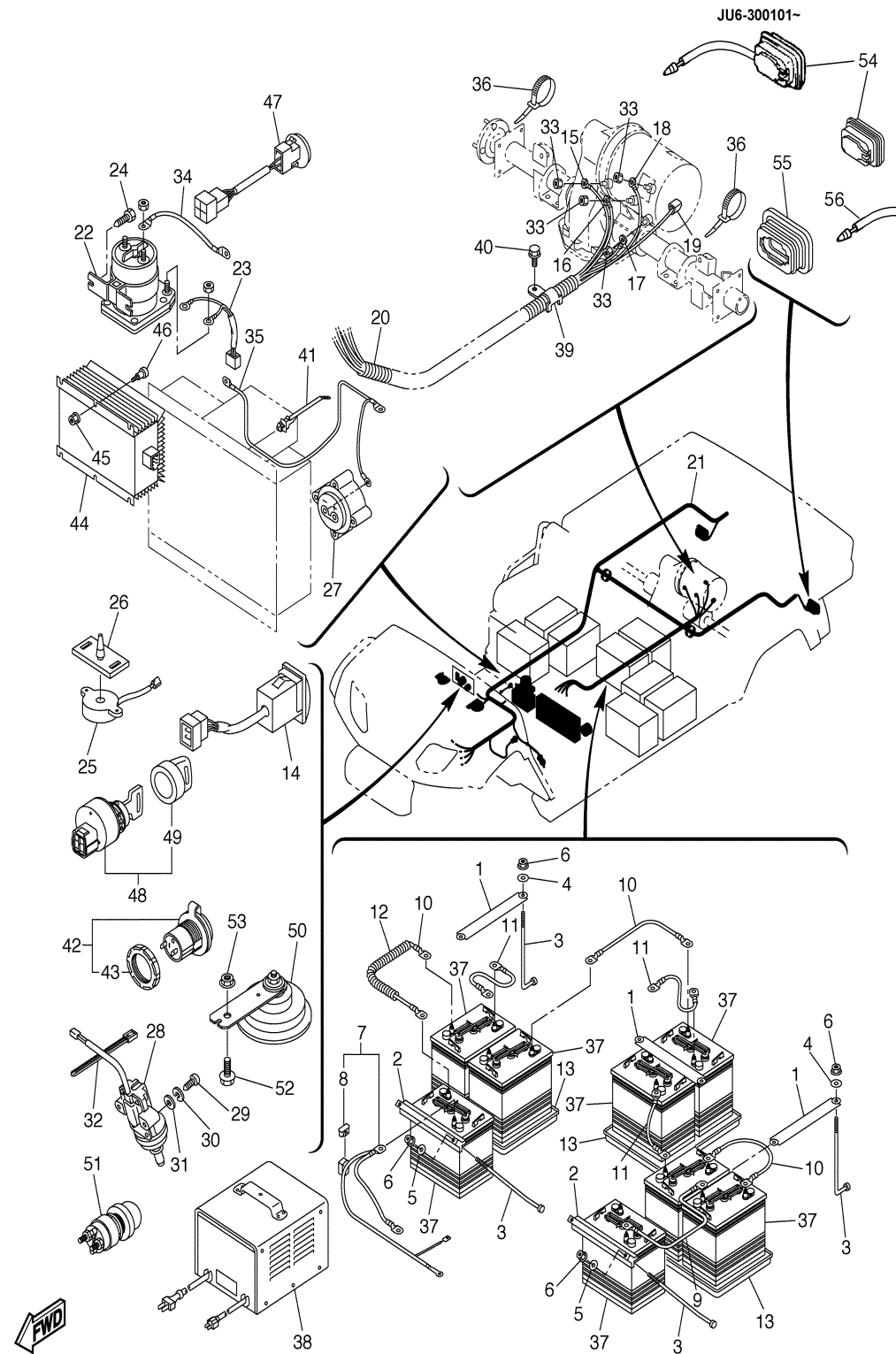
JU6100-5191

# ELECTRICAL 1

Ref. No.	Part Number	Description	Qty	Remarks
1	JF3-H2136-00-00	PLATE, BATTERY FITTING ...	3	
2	J55-H2136-00-00	PLATE, BATTERY .....	2	
3	JN4-H2133-00-00	SCREW, FITTING .....	10	
4	90201-068R7-00	WASHER, PLATE .....	6	
5	9290P-06200-00	WASHER .....	4	
6	95707-06500-00	NUT, FLANGE .....	10	
7	JU6-H2115-00-00	WIRE, PLUS LEAD .....	1	
8	JN6-H2151-00-00	. FUSE (10 A) .....	1	
9	JU6-H2148-00-00	WIRE, LEAD 4 .....	1	
10	JU6-H2127-00-00	WIRE, LEAD 2 .....	3	
11	JU6-H2149-00-00	WIRE, LEAD 3 .....	3	
12	JU6-H7197-00-00	TUBE 2 .....	1	
13	J56-H2123-00-00	SEAT, BATTERY .....	3	
14	JR1-H2917-10-00	SWITCH .....	1	
15	JU6-H2521-00-00	WIRE, LEAD .....	1	
16	JU6-H2531-00-00	WIRE, LEAD .....	1	
17	JU6-H6171-00-00	WIRE, LEAD 1 .....	1	
18	JU6-H6172-00-00	WIRE, LEAD 2 .....	1	
19	JU6-H2386-00-00	EXTENSION, WIRE HARNESS .	1	
20	JU6-H7196-00-00	TUBE 1 .....	1	
21	JU6-H2590-00-00	WIRE HARNESS ASSY .....	1	JU6-000101~000300
	JU6-H2590-01-00	WIRE HARNESS ASSY .....	1	JU6-000301~
22	JU6-H1950-00-00	RELAY ASSY .....	1	
23	JN6-H2105-00-00	HARNESS, WIRE .....	1	
24	90163-06005-00	SCREW, HEX. TAPPING .....	2	
25	JR1-H3383-01-00	BUZZER .....	1	
26	JN6-H3386-01-00	STAY, BUZZER .....	1	
27	JR1-H6181-02-00	RECEPTACLE .....	1	
28	JF7-82817-20-00	SWITCH, ACCELERATOR STOP	1	
29	98507-05025-00	SCREW, PAN HEAD .....	2	

## CONTENTS

ACCELERATOR	B2
BODY	B7-8
BODY 2	B9
BODY FITTING	B10
BRAKE	A10-11
BRAKE 2	A12
BRAKE 3	B1
BUMPER	B6
CARRIER JU6-300101~	C1-2
CARRIER ~JU6-300100	B11-12
CONTROLLER 1	C6-7
ELECTRIC MOTOR	C4
ELECTRICAL 1	C8-10
FRAME	A5
FRONT SUSPENSION WHEEL	A6-7
HEADLIGHT	C5
REAR ARM SUSPENSION	A4
REAR AXLE MOUNT WHEEL	B5
SEAT	C3
STEERING	A8-9
TRANSAXLE	B3-4
~MODELS IN THIS CATALOG	C11

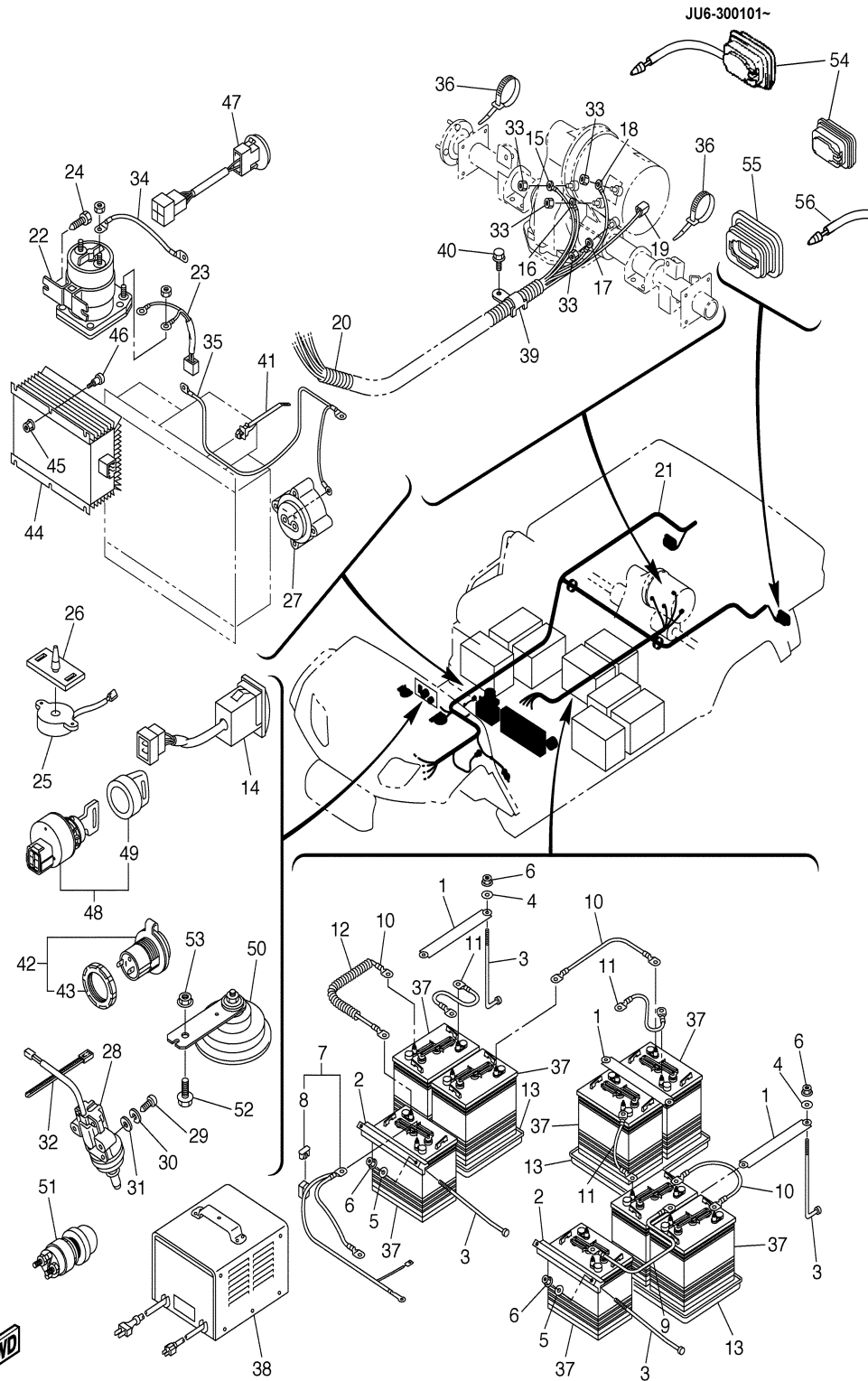


JU61110-C200

CONTINUED ON NEXT FRAME ►



# ELECTRICAL 1



JU61110-C200

Ref. No.	Part Number	Description	Qty	Remarks
30	92907-05100-00	WASHER, LOCK	2	
31	92907-05600-00	WASHER, PLATE	2	
32	90464-40825-00	CLAMP	4	
33	JG6-H1872-00-00	NUT, SPECIAL	4	
34	JU6-H6527-00-00	WIRE 7	1	
35	JU6-H6521-00-00	WIRE 1	1	
36	90464-14806-00	CLAMP	7	
37	JN8-H2110-40-00	BATTERY ASSY	8	LM
38	JR1-H2107-03-00	CHARGER (MAC)	1	UR, US BRAND BATTERY EQUIPPED MODELS
	JU6-H2107-00-00	CHARGER (DP1)	1	UR, TROJAN BRAND BATTERY EQUIPPED MODELS
39	90462-20186-00	CLAMP	3	
40	90105-06876-00	BOLT, FLANGE	3	
41	90464-25800-00	CLAMP	1	
42	5FU-H1920-10-00	TERMINAL ASSY	1	
43	5FU-H191B-10-00	. NUT	1	
44	JU6-H1910-00-00	VOLTAGE REGULATOR ASSY	1	
45	95707-05300-00	NUT, FLANGE	4	
46	90111-05801-00	BOLT	4	
47	JU2-HA2F0-00-00	TRANSMITTER UNIT	1	
48	JU6-H2510-00-00	MAIN SWITCH ASSY	1	~JU6-300100 RANDOM KEY
	JU6-H2510-10-00	MAIN SWITCH ASSY	1	JU6-300101~ COMMON KEY SW, KEY JU6-H2511-10-00
49	5UG-H2579-00-00	. CAP, KEY	1	
50	4LR-83371-10-00	HORN	1	
51	JR6-H270X-00-00	SWITCH	1	
52	9582P-06016-00	BOLT, FLANGE	1	

CONTINUED ON NEXT FRAME ►

## CONTENTS

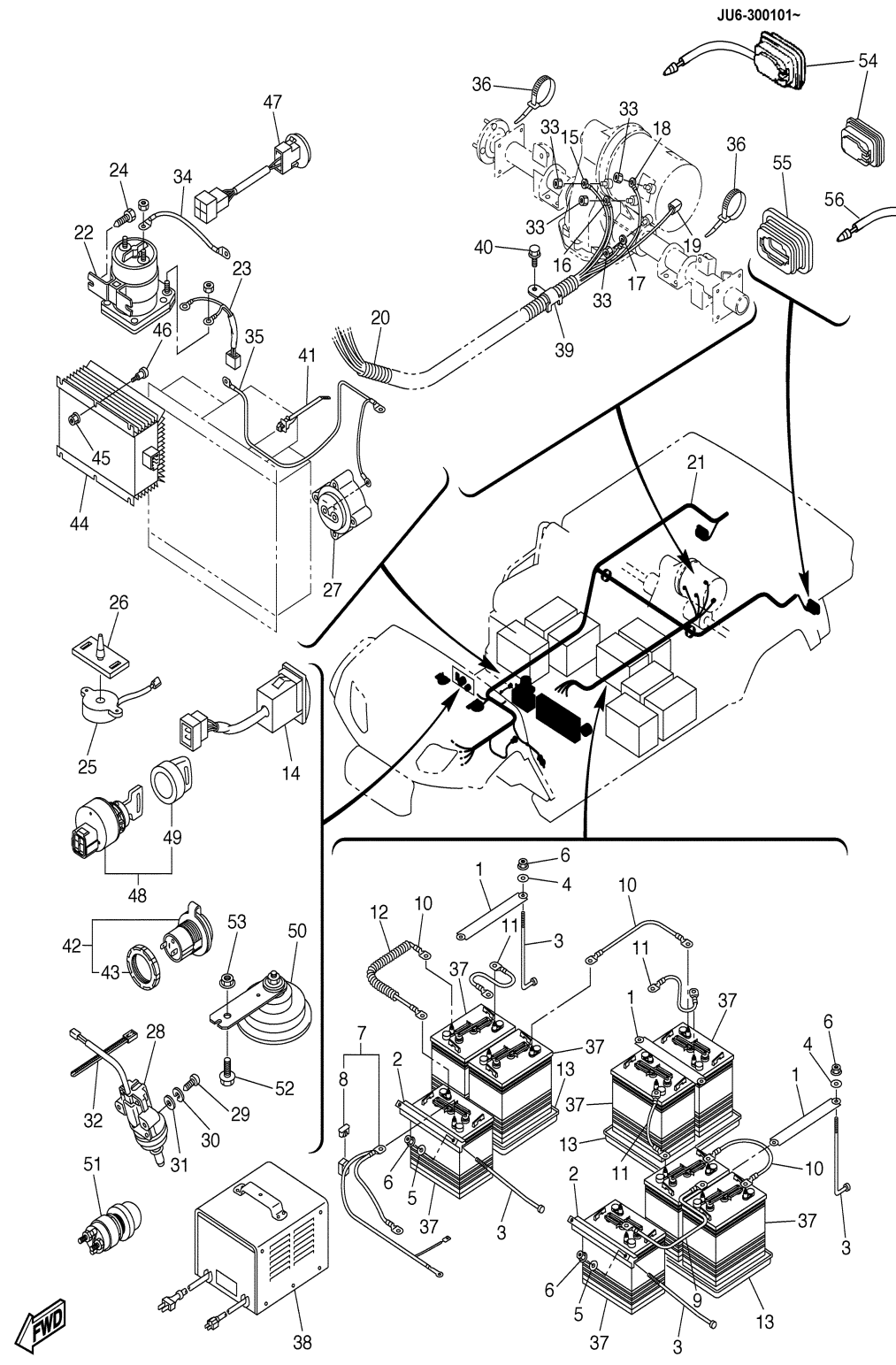
ACCELERATOR	B2
BODY	B7-8
BODY 2	B9
BODY FITTING	B10
BRAKE	A10-11
BRAKE 2	A12
BRAKE 3	B1
BUMPER	B6
CARRIER JU6-300101~	C1-2
CARRIER ~JU6-300100	B11-12
CONTROLLER 1	C6-7
ELECTRIC MOTOR	C4
ELECTRICAL 1	C8-10
FRAME	A5
FRONT SUSPENSION WHEEL	A6-7
HEADLIGHT	C5
REAR ARM SUSPENSION	A4
REAR AXLE MOUNT WHEEL	B5
SEAT	C3
STEERING	A8-9
TRANSAXLE	B3-4
~MODELS IN THIS CATALOG	C11

# ELECTRICAL 1

Ref. No.	Part Number	Description	Qty	Remarks
53	95707-06500-00	NUT, FLANGE .....	1	
54	JN3-H4700-00-00	TAILLIGHT ASSY .....	2	~JU6-300100
	JU5-H4700-10-00	TAILLIGHT ASSY .....	2	JU6-300101~ WIRE LEAD ATTACHED
55	JN3-H4718-00-00	GROMMET .....	2	
56	JU7-H2521-01-00	WIRE, LEAD (TAILLIGHT) ....	2	JU6-000301~300100

## CONTENTS

ACCELERATOR	B2
BODY	B7-8
BODY 2	B9
BODY FITTING	B10
BRAKE	A10-11
BRAKE 2	A12
BRAKE 3	B1
BUMPER	B6
CARRIER JU6-300101~	C1-2
CARRIER ~JU6-300100	B11-12
CONTROLLER 1	C6-7
ELECTRIC MOTOR	C4
ELECTRICAL 1	C8-10
FRAME	A5
FRONT SUSPENSION WHEEL	A6-7
HEADLIGHT	C5
REAR ARM SUSPENSION	A4
REAR AXLE MOUNT WHEEL	B5
SEAT	C3
STEERING	A8-9
TRANSAXLE	B3-4
~MODELS IN THIS CATALOG	C11



JU61110-C200

G23EZ\_EC

## ~MODELS IN THIS CATALOG

Ref. No.	Part Number	Description	Qty	Remarks
----------	-------------	-------------	-----	---------

### CONTENTS

ACCELERATOR	B2
BODY	B7-8
BODY 2	B9
BODY FITTING	B10
BRAKE	A10-11
BRAKE 2	A12
BRAKE 3	B1
BUMPER	B6
CARRIER JU6-300101-	C1-2
CARRIER ~JU6-300100	B11-12
CONTROLLER 1	C6-7
ELECTRIC MOTOR	C4
ELECTRICAL 1	C8-10
FRAME	A5
FRONT SUSPENSION WHEEL	A6-7
HEADLIGHT	C5
REAR ARM SUSPENSION	A4
REAR AXLE MOUNT WHEEL	B5
SEAT	C3
STEERING	A8-9
TRANSAXLE	B3-4
~MODELS IN THIS CATALOG	C11

# 2004 G23EZ (JU61)

STARTING SERIAL NO. (G23EZ): JU6-000101 and following

# 2005 G23EZ (JU61)

STARTING SERIAL NO. (G23EZ): JU6-000101 and following

# 2006 G23EC (JU61)

STARTING SERIAL NO. (G23EC): JU6-300101 and following

ALL THESE MODELS USE THIS SAME PARTS CATALOG.  
BE SURE TO ORDER ONLY THOSE PARTS APPLICABLE  
TO THE DESIRED MODEL.