

PARTS CATALOGUE

GOLF CAR

2004 G23AZ (JU51)

2005 G23AZ (JU51)

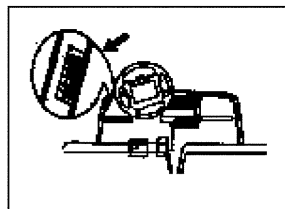
2006 G23AC (JU51)

Applicable Serial No.

STARTING SERIAL NO. (G23AZ): JU5-000101 ~300100 and following

STARTING SERIAL NO. (G23AC): JU5-300101 and following

Frame Serial No.



OWNERS LIT-19626-01-17
ASSEMBLY LIT-11666-01-17
SERVICE LIT-11616-01-09

CONTENTS

ACCELERATOR	C1
AIR SHROUD FAN	A8
BODY	C11-12
BODY 2	D1
BODY FITTING	D2
BRAKE	B9-10
BRAKE 2	B11
BRAKE 3	B12
BUMPER	C10
CAMSHAFT VALVE	A7
CARBURETOR	A10
CARRIER JU5-300101~	D5-6
CARRIER ~JU5-300100	D3-4
CRANKCASE	A12
CRANKSHAFT PISTON	A6
CYLINDER HEAD	A5
ELECTRICAL 1 JU5-300101~	D12
ELECTRICAL 1 ~JU5-300100	D11
ELECTRICAL 2	E1-2
ENGINE ASSEMBLY	A4
ENGINE BRACKET	B1
EXHAUST	A11
FRAME	B3
FRONT SUSPENSION WHEEL	B4-5
FUEL TANK	B8
GOVERNOR	C2
HEADLIGHT	D10
INTAKE	A9
PRIMARY SHEAVE	C3
REAR ARM SUSPENSION	B2
REAR AXLE MOUNT WHEEL	C8
SEAT	D7
SECONDARY SHEAVE	C4
SHIFTER CABLES	C9
STARTING MOTOR	D8-9
STEERING	B6-7
TRANSMISSION 1	C5-7
~MODELS IN THIS CATALOG	E3

CONTENTS

ACCELERATOR	C1
AIR SHROUD FAN	A8
BODY	C11-12
BODY 2	D1
BODY FITTING	D2
BRAKE	B9-10
BRAKE 2	B11
BRAKE 3	B12
BUMPER	C10
CAMSHAFT VALVE	A7
CARBURETOR	A10
CARRIER JU5-300101~	D5-6
CARRIER ~JU5-300100	D3-4
CRANKCASE	A12
CRANKSHAFT PISTON	A6
CYLINDER HEAD	A5
ELECTRICAL 1 JU5-300101~	D12
ELECTRICAL 1 ~JU5-300100	D11
ELECTRICAL 2	E1-2
ENGINE ASSEMBLY	A4
ENGINE BRACKET	B1
EXHAUST	A11
FRAME	B3
FRONT SUSPENSION WHEEL	B4-5
FUEL TANK	B8
GOVERNOR	C2
HEADLIGHT	D10
INTAKE	A9
PRIMARY SHEAVE	C3
REAR ARM SUSPENSION	B2
REAR AXLE MOUNT WHEEL	C8
SEAT	D7
SECONDARY SHEAVE	C4
SHIFTER CABLES	C9
STARTING MOTOR	D8-9
STEERING	B6-7
TRANSMISSION 1	C5-7
~MODELS IN THIS CATALOG	E3

FOREWORD

This Parts Catalogue is related to the parts for the model(s) on the cover page. When you are ordering replacement parts, please refer to this Parts Catalogue and quote both part numbers and part names correctly.

1. Modifications or additions which have been made after the issue of the Parts Catalogue will be announced in the Parts News.
It is advisable that you make the necessary corrections to the Parts Catalogue according to the Parts News.

2. Abbreviations
The following abbreviations are used in this Parts Catalogue.

- "UR" Use specified parts number.
- "UN" Use as many as needed.
- "AP" Alternate Parts
- "LM" Locally Made (Parts need to be ordered locally)
- "F#" Frame No. (Applicable machine No.)
- "O/S" Over Size

3. The number of components for assembly
 - Parts, which are to be supplied in an assembly, are listed with a dot (.) in front of the part name as shown below.
 - The numeral appearing to the right of each component part indicates the quantity of parts for each assembly unit.

PART NO.	DESCRIPTION	Q'TY	REMARKS
2F5-83310-60	FRONT FLASHER LIGHT ASSY	2	
115-83311-60	.BULB (6V-18W)	1	

4. Applicable colours of graphics are represented in the "REMARKS" as shown below.

PART NO.	DESCRIPTION	Q'TY	REMARKS
2N4-24110-00-X5	FUEL TANK COMP.	2	MXR
3J1-24240-10	.GRAPHIC, FUEL TANK	1	FOR MXR

5. Note that the illustrations for reference in finding parts numbers are not to be used for assembling. When assembling, please use the applicable service manual.

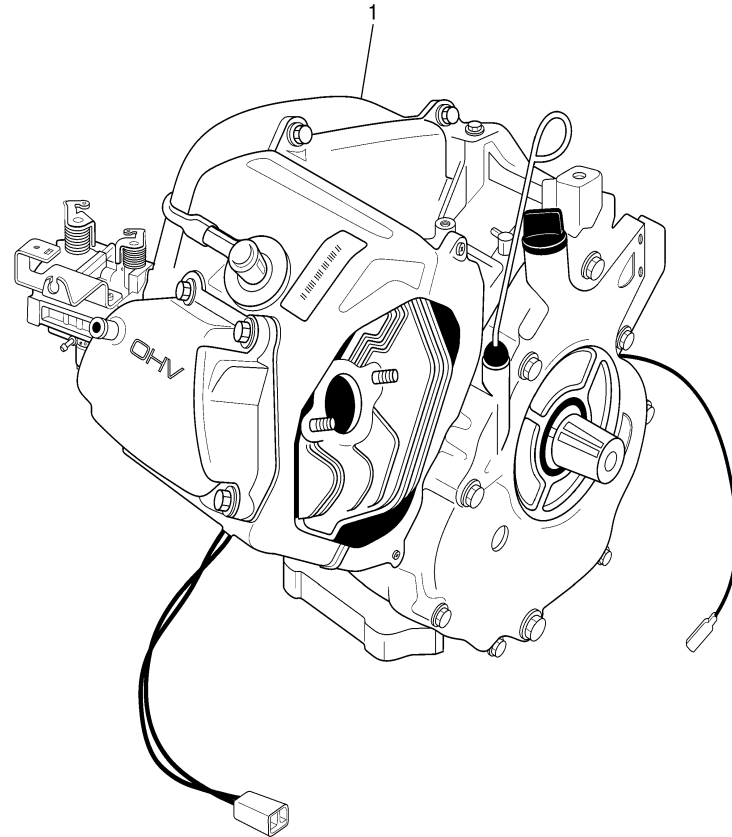
6. The asterisk (*) before a reference number indicates modified items after the first edition.

ENGINE ASSEMBLY

Ref. No.	Part Number	Description	Qty	Remarks
1	JR6-19001-00-00	ENGINE ASSEMBLY	1	

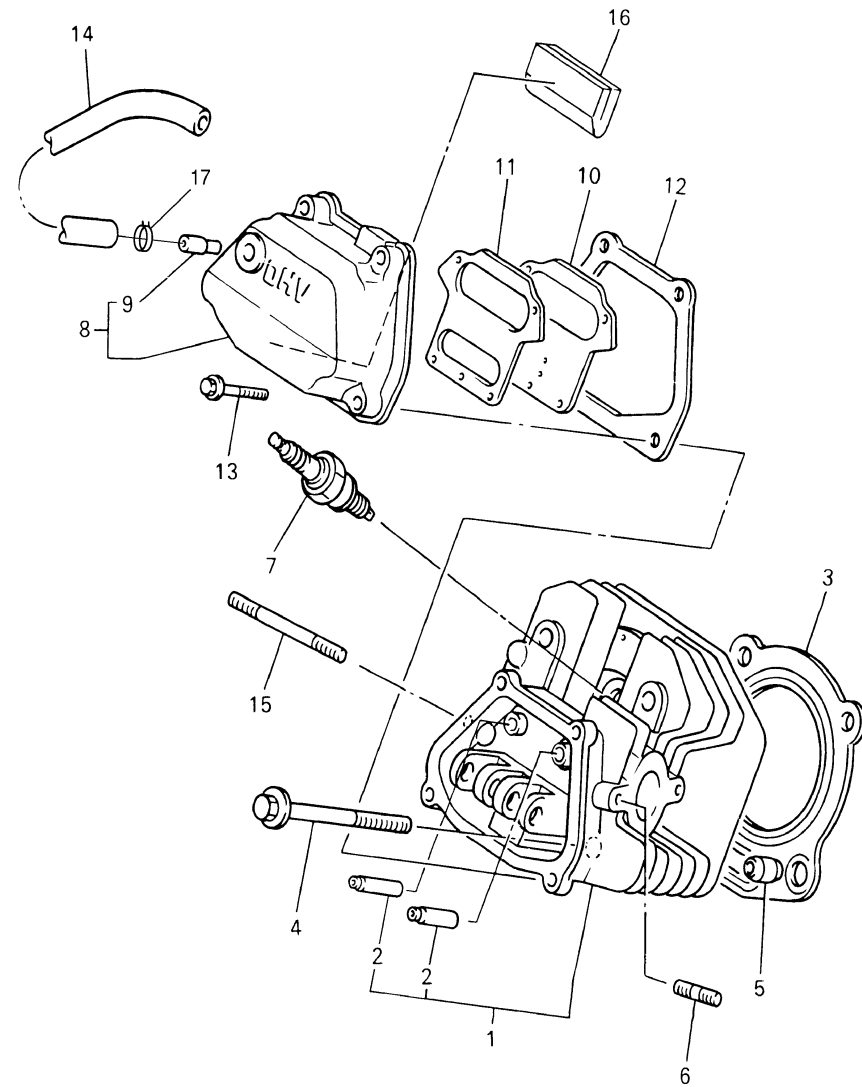
CONTENTS

ACCELERATOR	C1
AIR SHROUD FAN	A8
BODY	C11-12
BODY 2	D1
BODY FITTING	D2
BRAKE	B9-10
BRAKE 2	B11
BRAKE 3	B12
BUMPER	C10
CAMSHAFT VALVE	A7
CARBURETOR	A10
CARRIER JU5-300101~	D5-6
CARRIER ~JU5-300100	D3-4
CRANKCASE	A12
CRANKSHAFT PISTON	A6
CYLINDER HEAD	A5
ELECTRICAL 1 JU5-300101~	D12
ELECTRICAL 1 ~JU5-300100	D11
ELECTRICAL 2	E1-2
ENGINE ASSEMBLY	A4
ENGINE BRACKET	B1
EXHAUST	A11
FRAME	B3
FRONT SUSPENSION WHEEL	B4-5
FUEL TANK	B8
GOVERNOR	C2
HEADLIGHT	D10
INTAKE	A9
PRIMARY SHEAVE	C3
REAR ARM SUSPENSION	B2
REAR AXLE MOUNT WHEEL	C8
SEAT	D7
SECONDARY SHEAVE	C4
SHIFTER CABLES	C9
STARTING MOTOR	D8-9
STEERING	B6-7
TRANSMISSION 1	C5-7
~MODELS IN THIS CATALOG	E3



JW41110-C010

CYLINDER HEAD



Ref. No.	Part Number	Description	Qty	Remarks
1	JT0-11111-00-00	HEAD, CYLINDER 1	1	
2	JN6-11133-10-00	. GUIDE, INTAKE VALVE	2	
3	JT0-11181-00-00	GASKET, CYLINDER HEAD 1 . .	1	
4	95817-10070-00	BOLT, FLANGE	4	
5	99530-14016-00	PIN, DOWEL	2	
6	95627-08618-00	BOLT, STUD	2	
7	94702-00343-00	PLUG, SPARK	1	AP
	94702-00348-00	PLUG, SPARK	1	STD
8	JN6-11191-01-00	COVER, CYLINDER HEAD 1 ..	1	
9	JN6-11116-00-00	. JOINT, BREATHER PIPE	1	
10	JN6-11168-00-00	COVER, BREATHER	1	
11	JN6-11169-00-00	GASKET, BREATHER COVER . .	1	
12	JN6-11193-00-00	GASKET, HEAD COVER 1	1	
13	95827-06030-00	BOLT, FLANGE	4	
14	JN6-E1166-00-00	PIPE, BREATHER 1	1	
15	95607-08710-00	BOLT, STUD	2	
16	JR7-11163-00-00	ELEMENT	1	
17	90467-13847-00	CLAMP	2	

CONTENTS

ACCELERATOR	C1
AIR SHROUD FAN	A8
BODY	C11-12
BODY 2	D1
BODY FITTING	D2
BRAKE	B9-10
BRAKE 2	B11
BRAKE 3	B12
BUMPER	C10
CAMSHAFT VALVE	A7
CARBURETOR	A10
CARRIER JU5-300101~	D5-6
CARRIER ~JU5-300100	D3-4
CRANKCASE	A12
CRANKSHAFT PISTON	A6
CYLINDER HEAD	A5
ELECTRICAL 1 JU5-300101~	D12
ELECTRICAL 1 ~JU5-300100	D11
ELECTRICAL 2	E1-2
ENGINE ASSEMBLY	A4
ENGINE BRACKET	B1
EXHAUST	A11
FRAME	B3
FRONT SUSPENSION WHEEL	B4-5
FUEL TANK	B8
GOVERNOR	C2
HEADLIGHT	D10
INTAKE	A9
PRIMARY SHEAVE	C3
REAR ARM SUSPENSION	B2
REAR AXLE MOUNT WHEEL	C8
SEAT	D7
SECONDARY SHEAVE	C4
SHIFTER CABLES	C9
STARTING MOTOR	D8-9
STEERING	B6-7
TRANSMISSION 1	C5-7
~MODELS IN THIS CATALOG	E3



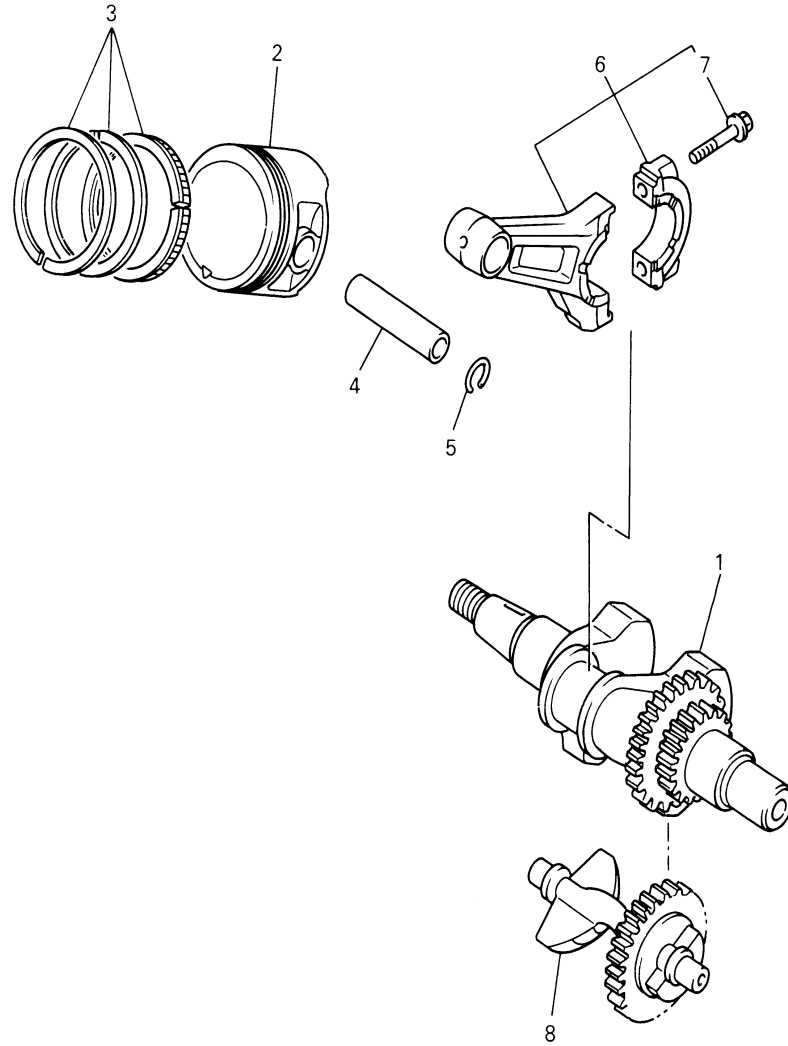
JT01010-0011

CRANKSHAFT PISTON

Ref. No.	Part Number	Description	Qty	Remarks
1	JN6-11400-00-00	CRANKSHAFT ASSY	1	
2	JR7-11631-00-A0	PISTON (STD)	1	
	JR7-11635-00-00	PISTON (0.25MM O/S)	1	AP
	JR7-11636-00-00	PISTON (0.50MM O/S)	1	AP
3	JR7-11610-00-00	PISTON RING SET (STD)	1	
	JR7-11610-10-00	PISTON RING SET (0.25MM O/S)	1	AP
	JR7-11610-20-00	PISTON RING SET (0.50MM O/S)	1	AP
4	583-11633-00-00	PIN, PISTON	1	
5	93450-21053-00	CIRCLIP	2	
6	JN6-11650-00-00	CONNECTING ROD ASSY	1	
7	JN6-11654-00-00	. BOLT, CONNECTING ROD ..	2	
8	JN6-11454-00-00	WEIGHT 1	1	

CONTENTS

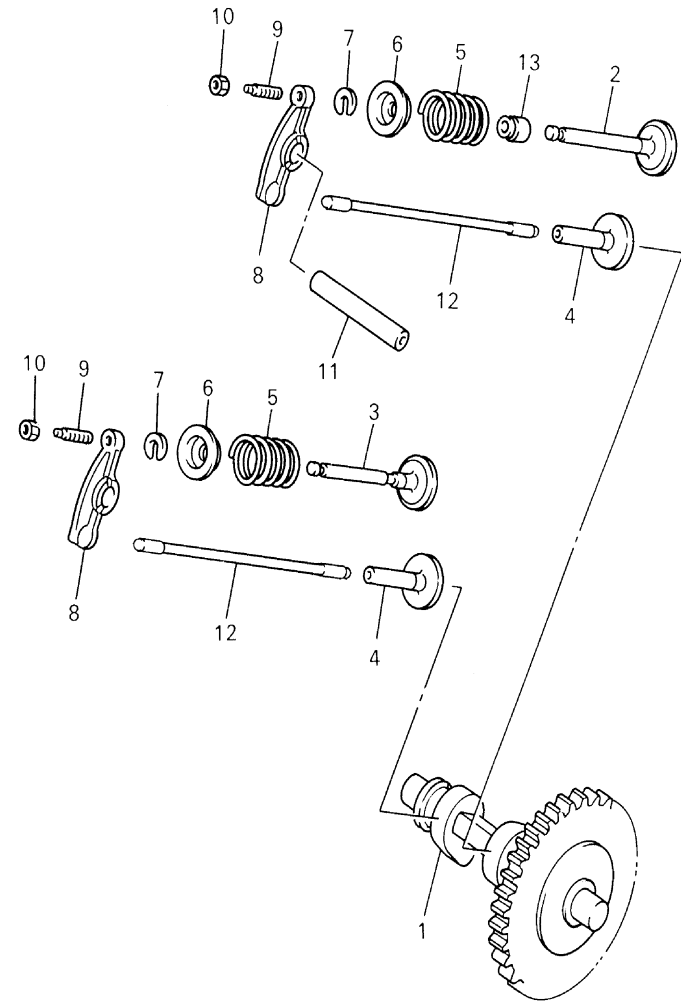
ACCELERATOR	C1
AIR SHROUD FAN	A8
BODY	C11-12
BODY 2	D1
BODY FITTING	D2
BRAKE	B9-10
BRAKE 2	B11
BRAKE 3	B12
BUMPER	C10
CAMSHAFT VALVE	A7
CARBURETOR	A10
CARRIER JU5-300101~	D5-6
CARRIER ~JU5-300100	D3-4
CRANKCASE	A12
CRANKSHAFT PISTON	A6
CYLINDER HEAD	A5
ELECTRICAL 1 JU5-300101~	D12
ELECTRICAL 1 ~JU5-300100	D11
ELECTRICAL 2	E1-2
ENGINE ASSEMBLY	A4
ENGINE BRACKET	B1
EXHAUST	A11
FRAME	B3
FRONT SUSPENSION WHEEL	B4-5
FUEL TANK	B8
GOVERNOR	C2
HEADLIGHT	D10
INTAKE	A9
PRIMARY SHEAVE	C3
REAR ARM SUSPENSION	B2
REAR AXLE MOUNT WHEEL	C8
SEAT	D7
SECONDARY SHEAVE	C4
SHIFTER CABLES	C9
STARTING MOTOR	D8-9
STEERING	B6-7
TRANSMISSION 1	C5-7
~MODELS IN THIS CATALOG	E3



JN7010-6020

CAMSHAFT VALVE

Ref. No.	Part Number	Description	Qty	Remarks
1	JR7-12170-00-00	CAMSHAFT ASSY 1	1	
2	JN6-12111-01-00	VALVE, INTAKE	1	
3	7RH-12121-00-00	VALVE, EXHAUST	1	
4	JN6-12153-00-00	LIFTER, VALVE	2	
5	90501-264A9-00	SPRING, COMPRESSION	2	
6	J38-12117-01-00	RETAINER, VALVE SPRING ..	2	
7	J38-12118-00-00	COTTER, VALVE	2	
8	JN6-12151-00-00	ARM, VALVE ROCKER	2	
9	22F-12159-00-00	SCREW, VALVE ADJUSTING ..	2	
10	90170-05302-00	NUT	2	
11	J38-12156-00-00	SHAFT, ROCKER 2	1	
12	JR7-12154-01-00	ROD, VALVE PUSH	2	
13	4G0-12119-00-00	SEAL, VALVE STEM	1	



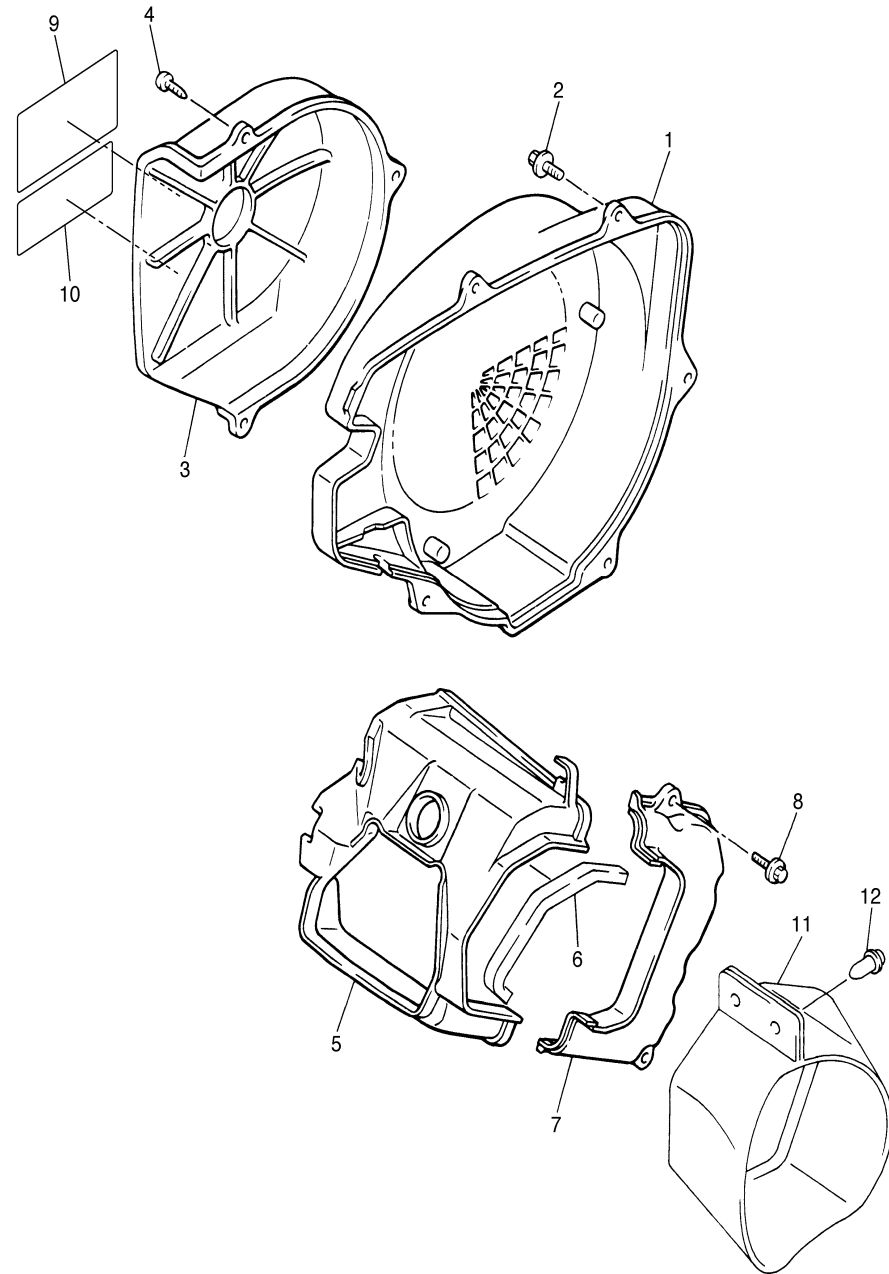
CONTENTS

ACCELERATOR	C1
AIR SHROUD FAN	A8
BODY	C11-12
BODY 2	D1
BODY FITTING	D2
BRAKE	B9-10
BRAKE 2	B11
BRAKE 3	B12
BUMPER	C10
CAMSHAFT VALVE	A7
CARBURETOR	A10
CARRIER JU5-300101~	D5-6
CARRIER ~JU5-300100	D3-4
CRANKCASE	A12
CRANKSHAFT PISTON	A6
CYLINDER HEAD	A5
ELECTRICAL 1 JU5-300101~	D12
ELECTRICAL 1 ~JU5-300100	D11
ELECTRICAL 2	E1-2
ENGINE ASSEMBLY	A4
ENGINE BRACKET	B1
EXHAUST	A11
FRAME	B3
FRONT SUSPENSION WHEEL	B4-5
FUEL TANK	B8
GOVERNOR	C2
HEADLIGHT	D10
INTAKE	A9
PRIMARY SHEAVE	C3
REAR ARM SUSPENSION	B2
REAR AXLE MOUNT WHEEL	C8
SEAT	D7
SECONDARY SHEAVE	C4
SHIFTER CABLES	C9
STARTING MOTOR	D8-9
STEERING	B6-7
TRANSMISSION 1	C5-7
~MODELS IN THIS CATALOG	E3



JT01010-0030

AIR SHROUD FAN



Ref. No.	Part Number	Description	Qty	Remarks
1	JN6-12621-00-00	CASE, FAN	1	
2	95807-06020-00	BOLT, FLANGE	5	
3	JN6-12616-00-00	COVER, FAN CASE	1	
4	97707-60520-00	SCREW, TAPPING	3	
5	JN6-12651-00-00	AIR SHROUD, CYLINDER 1 ...	1	
6	JR7-12658-00-00	DAMPER, AIR SHROUD 1	1	
7	JN6-12652-00-00	AIR SHROUD, CYLINDER 2 ...	1	
8	95807-06020-00	BOLT, FLANGE	2	
9	JR6-2179R-01-00	PLATE, EPA 2 (CALIFORNIA) .	1	
10	7UH-2111F-00-00	LABEL, EMISSION	1	
11	JN6-E2691-00-00	DUCT, 1	1	
12	90269-08813-00	RIVET	2	

CONTENTS

ACCELERATOR	C1
AIR SHROUD FAN	A8
BODY	C11-12
BODY 2	D1
BODY FITTING	D2
BRAKE	B9-10
BRAKE 2	B11
BRAKE 3	B12
BUMPER	C10
CAMSHAFT VALVE	A7
CARBURETOR	A10
CARRIER JU5-300101~	D5-6
CARRIER ~JU5-300100	D3-4
CRANKCASE	A12
CRANKSHAFT PISTON	A6
CYLINDER HEAD	A5
ELECTRICAL 1 JU5-300101~	D12
ELECTRICAL 1 ~JU5-300100	D11
ELECTRICAL 2	E1-2
ENGINE ASSEMBLY	A4
ENGINE BRACKET	B1
EXHAUST	A11
FRAME	B3
FRONT SUSPENSION WHEEL	B4-5
FUEL TANK	B8
GOVERNOR	C2
HEADLIGHT	D10
INTAKE	A9
PRIMARY SHEAVE	C3
REAR ARM SUSPENSION	B2
REAR AXLE MOUNT WHEEL	C8
SEAT	D7
SECONDARY SHEAVE	C4
SHIFTER CABLES	C9
STARTING MOTOR	D8-9
STEERING	B6-7
TRANSMISSION 1	C5-7
~MODELS IN THIS CATALOG	E3



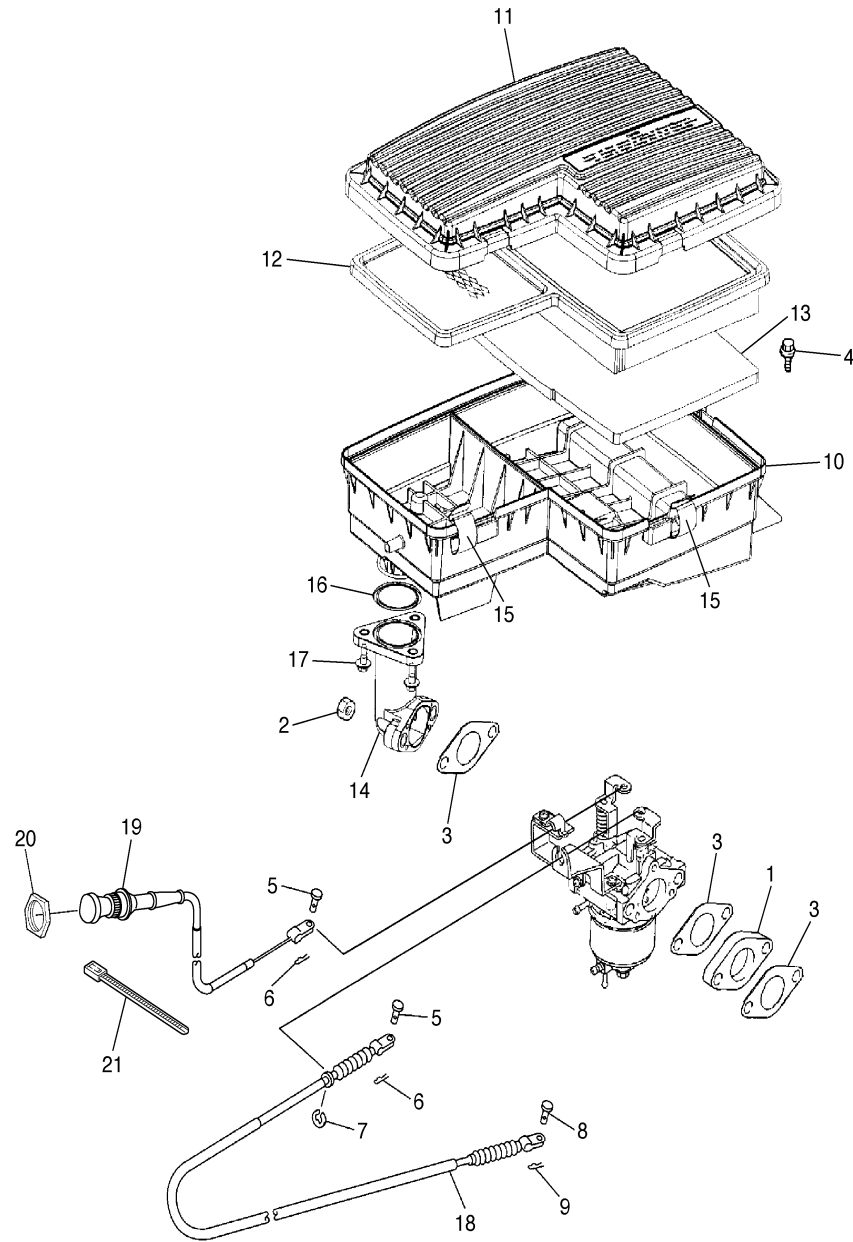
JW41110-C050

INTAKE

Ref. No.	Part Number	Description	Qty	Remarks
1	JN6-13595-00-00	JOINT	1	
2	95707-08500-00	NUT, FLANGE	2	
3	JN6-13567-00-00	GASKET	3	
4	90119-06838-00	BOLT, HEX HEAD WITH WASHER	2	
5	91701-05010-00	PIN, CYLINDER. HEAD	2	
6	90468-10049-00	CLIP	2	
7	99001-07600-00	CIRCLIP	1	
8	91701-05010-00	PIN, CYLINDER. HEAD	1	
9	90468-10049-00	CLIP	1	
10	JN6-E4411-02-00 JU0-E4411-00-00	CASE, AIR FILTER	1	~JU5-300100
11	JN6-E4412-01-00 JU0-E4412-00-00	CAP, CASE 1	1	~JU5-300100
12	JN6-E4450-00-00 JN6-E4450-01-00	ELEMENT ASSY, AIR CLEANER	1	~JU5-300100
13	JN6-E445E-00-00 JU0-E445E-00-00	FILTER 1	1	~JU5-300100
14	JN6-E3586-01-00 JU0-E3586-00-00	JOINT, CARBURETOR 1	1	~JU5-300100
15	JN6-E4424-00-00 5UH-E4424-00-00	CLIP, CAP FITTING	5	~JU5-300100
16	93210-398D6-00	O-RING	1	
17	90105-06862-00	BOLT, FLANGE	3	
18	JN6-F6312-01-00	WIRE, THROTTLE 2	1	
19	J55-F6331-11-00	WIRE, STARTER	1	
20	JN6-F6333-10-00	NUT	1	
21	90464-31827-00	CLAMP	1	

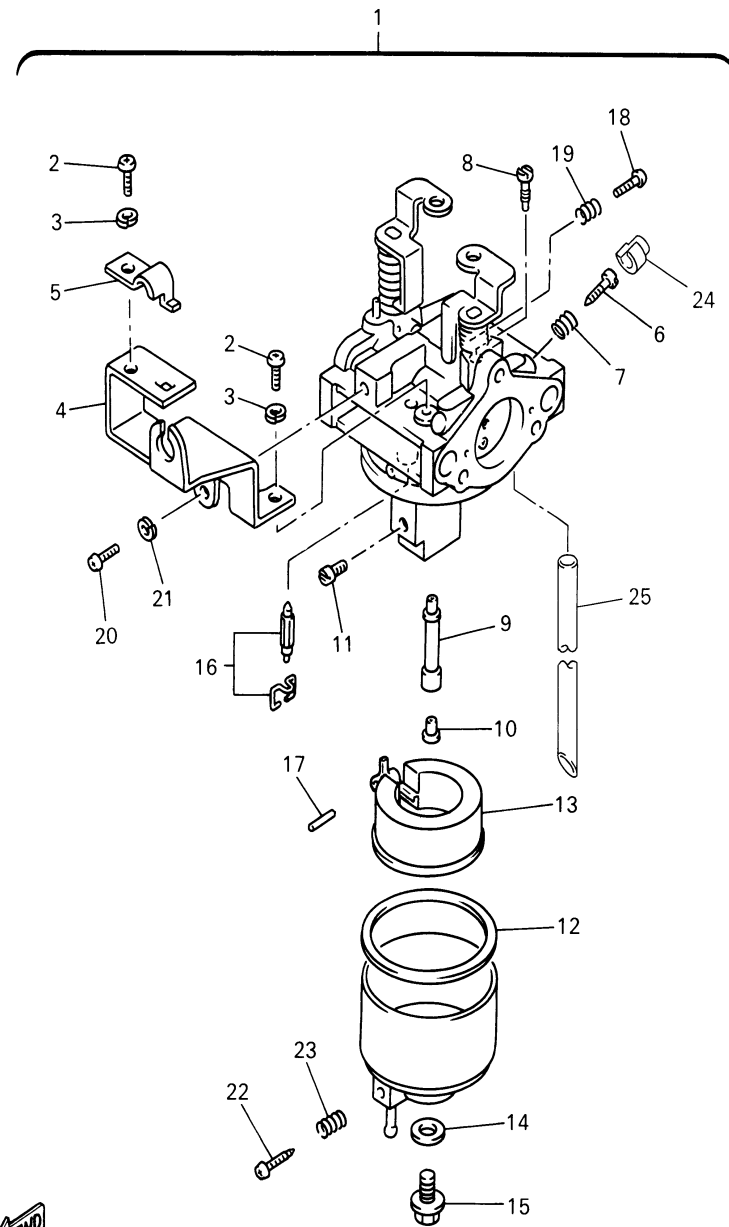
CONTENTS

ACCELERATOR	C1
AIR SHROUD FAN	A8
BODY	C11-12
BODY 2	D1
BODY FITTING	D2
BRAKE	B9-10
BRAKE 2	B11
BRAKE 3	B12
BUMPER	C10
CAMSHAFT VALVE	A7
CARBURETOR	A10
CARRIER JU5-300101~	D5-6
CARRIER ~JU5-300100	D3-4
CRANKCASE	A12
CRANKSHAFT PISTON	A6
CYLINDER HEAD	A5
ELECTRICAL 1 JU5-300101~	D12
ELECTRICAL 1 ~JU5-300100	D11
ELECTRICAL 2	E1-2
ENGINE ASSEMBLY	A4
ENGINE BRACKET	B1
EXHAUST	A11
FRAME	B3
FRONT SUSPENSION WHEEL	B4-5
FUEL TANK	B8
GOVERNOR	C2
HEADLIGHT	D10
INTAKE	A9
PRIMARY SHEAVE	C3
REAR ARM SUSPENSION	B2
REAR AXLE MOUNT WHEEL	C8
SEAT	D7
SECONDARY SHEAVE	C4
SHIFTER CABLES	C9
STARTING MOTOR	D8-9
STEERING	B6-7
TRANSMISSION 1	C5-7
~MODELS IN THIS CATALOG	E3



JW51110-C060

CARBURETOR



JR61100-1060

Ref. No.	Part Number	Description	Qty	Remarks
1	JR6-14101-00-00	CARBURETOR ASSY 1	1	
2	98507-05008-00	. SCREW, PAN HEAD	2	
3	92990-05100-00	. WASHER, SPRING	2	
4	JN6-14291-00-00	. BRACKET 1	1	
5	J10-14227-00-00	. PLATE	1	
6	7NJ-14211-00-00	. SCREW, PILOT ADJUSTING	1	
7	73A-14212-10-00	. SPRING	1	
8	732-14142-65-A0	. JET, PILOT (#65.0)	1	
9	JN6-1495H-3B-00	. NOZZLE, MAIN	1	
10	73A-1414G-00-00	. . PIPE, MAIN BLEED	1	
11	3G2-1423A-67-00	. JET, MAIN (#82.5)	1	AP
	3G2-1423A-68-A0	. JET, MAIN (#87.5)	1	STD
	3G2-1423E-33-A0	. JET, MAIN (#83.8)	1	AP
12	796-14184-00-00	. GASKET, FLOAT CHMBR	1	
13	JN6-14185-00-00	. FLOAT	1	
14	127-14198-00-00	. GASKET	1	
15	7R1-14162-00-00	. BOLT, HOLDING	1	
16	JN5-14150-00-00	. NEEDLE ASSY	1	
17	22F-14186-00-00	. PIN, FLOAT	1	
18	1WG-14922-00-00	. SCREW, THROTTLE	1	
19	73A-14212-10-00	. SPRING	1	
20	98507-04010-00	. SCREW, PAN HEAD	1	
21	92902-04100-00	. WASHER, SPRING	1	
22	7E1-14191-00-00	. PLUG, DRAIN	1	
23	73A-14212-00-00	. SPRING	1	
24	7LV-14118-00-00	. CAP	1	
25	1KT-14197-01-00	. VENT HOSE	1	

CONTENTS

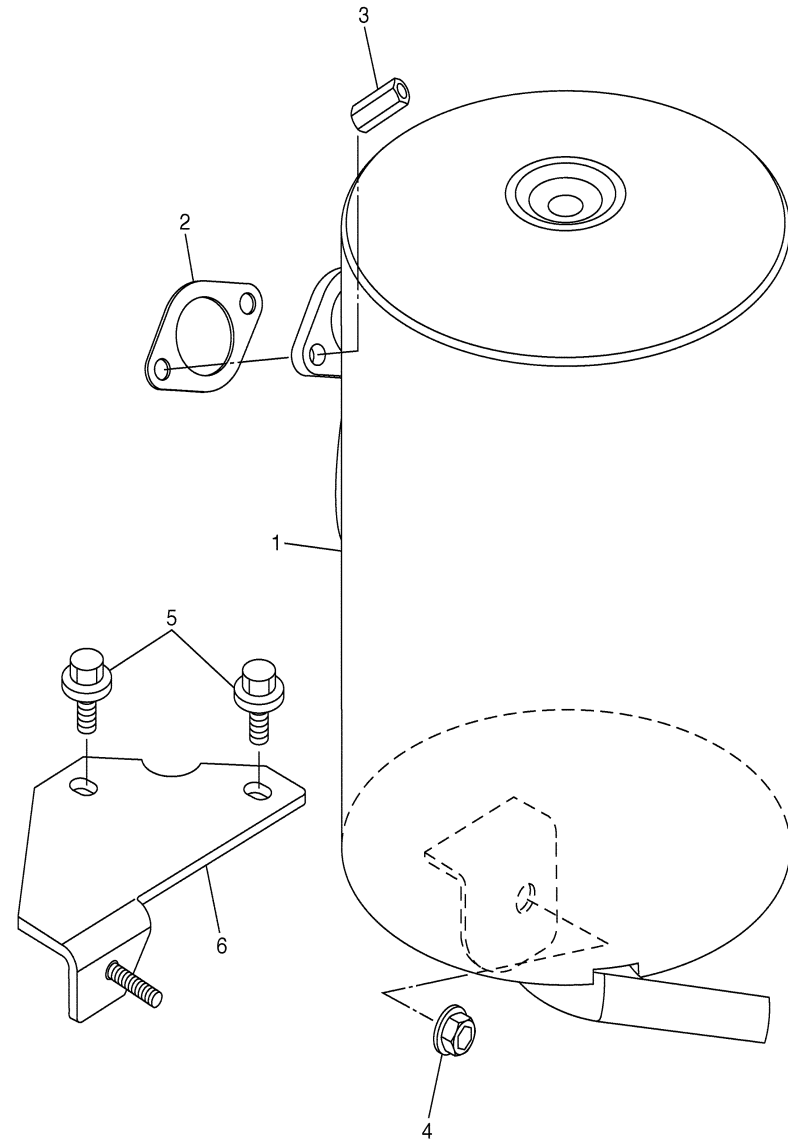
ACCELERATOR	C1
AIR SHROUD FAN	A8
BODY	C11-12
BODY 2	D1
BODY FITTING	D2
BRAKE	B9-10
BRAKE 2	B11
BRAKE 3	B12
BUMPER	C10
CAMSHAFT VALVE	A7
CARBURETOR	A10
CARRIER JU5-300101~	D5-6
CARRIER ~JU5-300100	D3-4
CRANKCASE	A12
CRANKSHAFT PISTON	A6
CYLINDER HEAD	A5
ELECTRICAL 1 JU5-300101~	D12
ELECTRICAL 1 ~JU5-300100	D11
ELECTRICAL 2	E1-2
ENGINE ASSEMBLY	A4
ENGINE BRACKET	B1
EXHAUST	A11
FRAME	B3
FRONT SUSPENSION WHEEL	B4-5
FUEL TANK	B8
GOVERNOR	C2
HEADLIGHT	D10
INTAKE	A9
PRIMARY SHEAVE	C3
REAR ARM SUSPENSION	B2
REAR AXLE MOUNT WHEEL	C8
SEAT	D7
SECONDARY SHEAVE	C4
SHIFTER CABLES	C9
STARTING MOTOR	D8-9
STEERING	B6-7
TRANSMISSION 1	C5-7
~MODELS IN THIS CATALOG	E3

EXHAUST

Ref. No.	Part Number	Description	Qty	Remarks
1	JU0-E4710-10-00	MUFFLER ASSY 1	1	
2	7KY-14613-01-00	GASKET, EXHAUST 1	1	
3	90179-08879-00	NUT	2	
4	90185-08841-00	NUT, SELF-LOCKING	1	
5	90119-08825-00	BOLT, HEX. HEAD WITH WASHER	2	
6	JN6-F1435-10-00	BRACKET, MUFFLER 1	1	

CONTENTS

ACCELERATOR	C1
AIR SHROUD FAN	A8
BODY	C11-12
BODY 2	D1
BODY FITTING	D2
BRAKE	B9-10
BRAKE 2	B11
BRAKE 3	B12
BUMPER	C10
CAMSHAFT VALVE	A7
CARBURETOR	A10
CARRIER JU5-300101~	D5-6
CARRIER ~JU5-300100	D3-4
CRANKCASE	A12
CRANKSHAFT PISTON	A6
CYLINDER HEAD	A5
ELECTRICAL 1 JU5-300101~	D12
ELECTRICAL 1 ~JU5-300100	D11
ELECTRICAL 2	E1-2
ENGINE ASSEMBLY	A4
ENGINE BRACKET	B1
EXHAUST	A11
FRAME	B3
FRONT SUSPENSION WHEEL	B4-5
FUEL TANK	B8
GOVERNOR	C2
HEADLIGHT	D10
INTAKE	A9
PRIMARY SHEAVE	C3
REAR ARM SUSPENSION	B2
REAR AXLE MOUNT WHEEL	C8
SEAT	D7
SECONDARY SHEAVE	C4
SHIFTER CABLES	C9
STARTING MOTOR	D8-9
STEERING	B6-7
TRANSMISSION 1	C5-7
~MODELS IN THIS CATALOG	E3



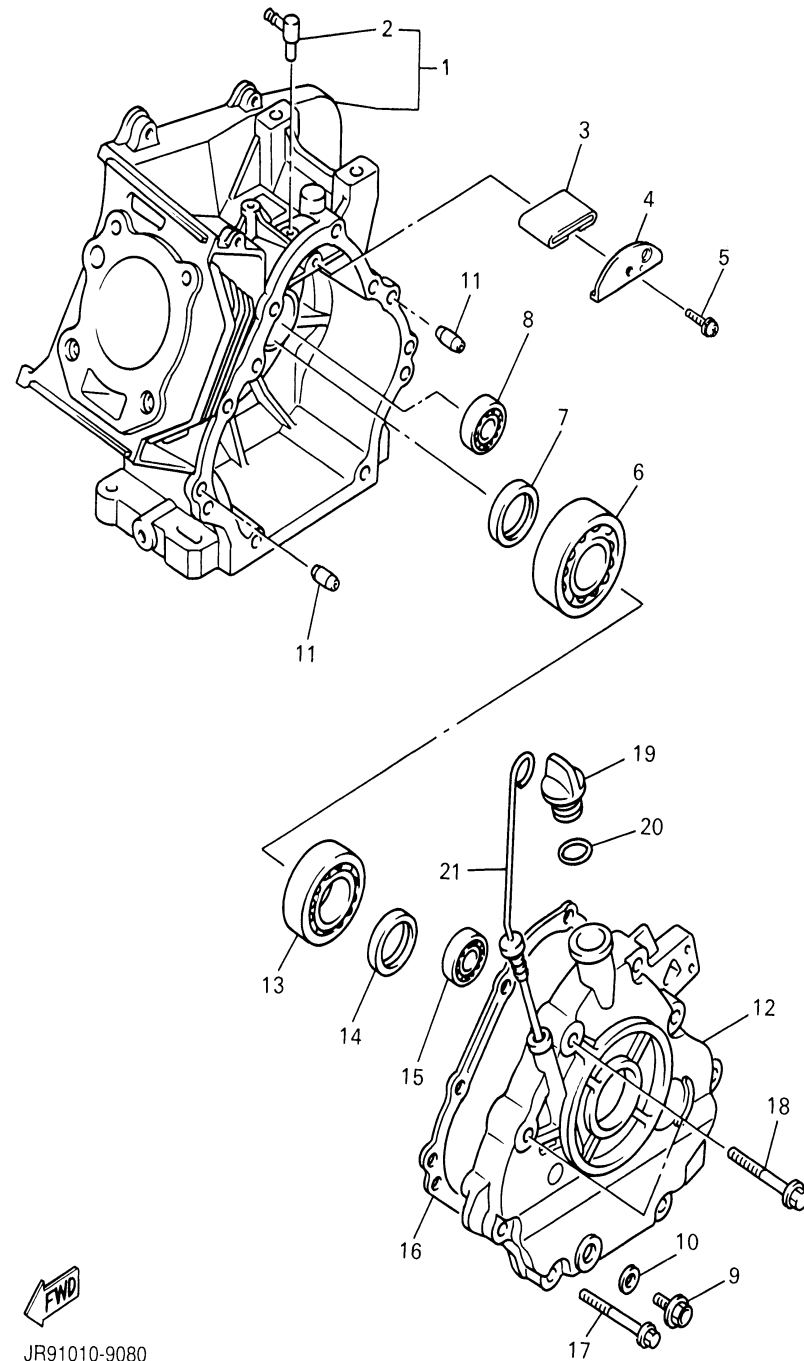
JT71010-B070

CRANKCASE

Ref. No.	Part Number	Description	Qty	Remarks
1	JR7-15100-00-00	CRANKCASE ASSY	1	
2	JN6-15155-00-00	. NOZZLE 3	1	
3	JR7-15407-00-00	ELEMENT 1	1	
4	JR7-15123-00-00	PLATE, BUFFLE 1	1	
5	90159-06107-00	SCREW, W/WASHER	1	
6	93306-30709-00	BEARING	1	
7	93102-35014-00	OIL SEAL	1	
8	93306-20201-00	BEARING (B6202)	1	
9	90340-12097-00	PLUG, STRAIGHT SCREW	1	
10	812-11198-00-00	GASKET	1	
11	99530-08016-00	PIN, DOWEL	2	
12	JN6-15411-00-00	COVER, CRANKCASE 1	1	~JU5-300100
	JN6-15411-01-00	COVER, CRANKCASE 1	1	JU5-300101~
13	93306-20714-00	BEARING	1	
14	93102-35014-00	OIL SEAL	1	
15	93306-20201-00	BEARING (B6202)	1	
16	JN6-15451-02-00	GASKET, CRANKCASE COVER 1	1	
17	95817-08045-00	BOLT, FLANGE	6	
18	95817-10050-00	BOLT, FLANGE	2	
19	796-15363-01-00	PLUG, OIL	1	
20	93210-22344-00	O-RING	1	
21	J38-15361-00-00	GAUGE, LEVEL	1	

CONTENTS

ACCELERATOR	C1
AIR SHROUD FAN	A8
BODY	C11-12
BODY 2	D1
BODY FITTING	D2
BRAKE	B9-10
BRAKE 2	B11
BRAKE 3	B12
BUMPER	C10
CAMSHAFT VALVE	A7
CARBURETOR	A10
CARRIER JU5-300101~	D5-6
CARRIER ~JU5-300100	D3-4
CRANKCASE	A12
CRANKSHAFT PISTON	A6
CYLINDER HEAD	A5
ELECTRICAL 1 JU5-300101~	D12
ELECTRICAL 1 ~JU5-300100	D11
ELECTRICAL 2	E1-2
ENGINE ASSEMBLY	A4
ENGINE BRACKET	B1
EXHAUST	A11
FRAME	B3
FRONT SUSPENSION WHEEL	B4-5
FUEL TANK	B8
GOVERNOR	C2
HEADLIGHT	D10
INTAKE	A9
PRIMARY SHEAVE	C3
REAR ARM SUSPENSION	B2
REAR AXLE MOUNT WHEEL	C8
SEAT	D7
SECONDARY SHEAVE	C4
SHIFTER CABLES	C9
STARTING MOTOR	D8-9
STEERING	B6-7
TRANSMISSION 1	C5-7
~MODELS IN THIS CATALOG	E3



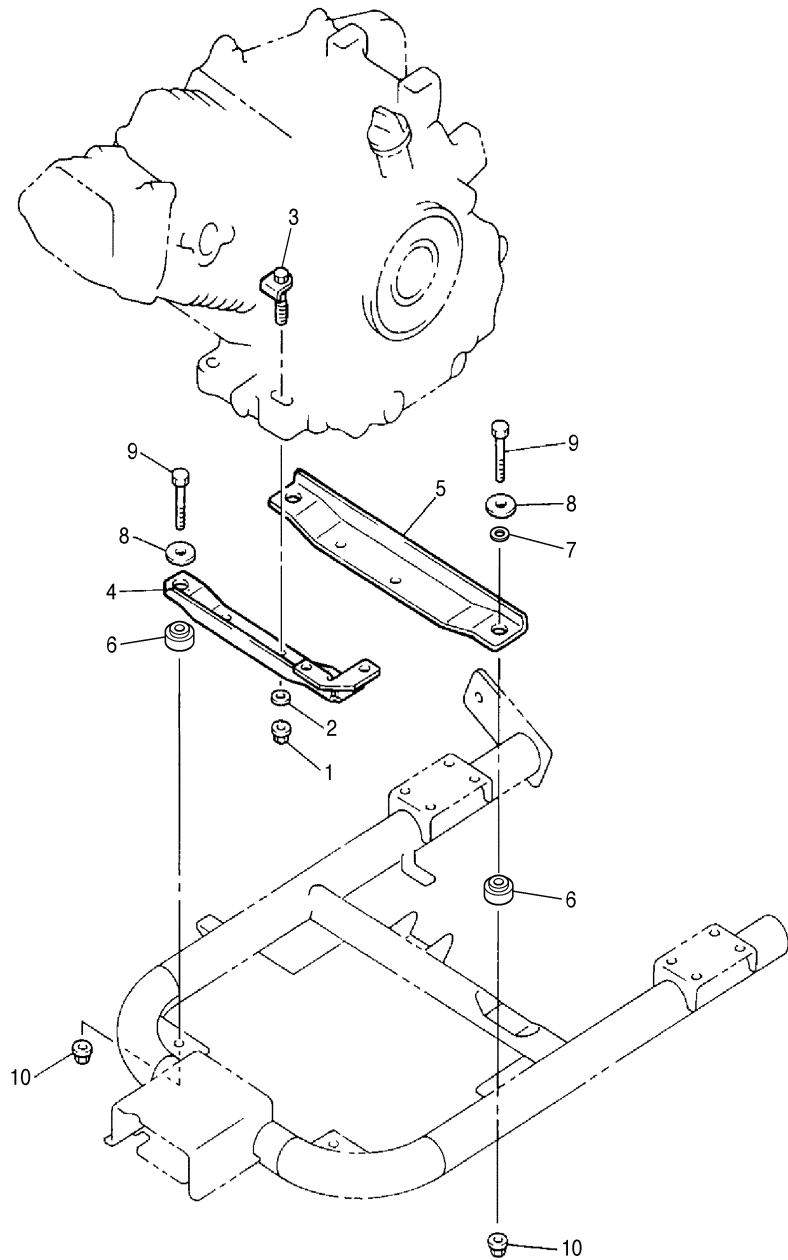
JR91010-9080

ENGINE BRACKET

Ref. No.	Part Number	Description	Qty	Remarks
1	9560P-10200-00	NUT, U-FLANGE	4	
2	9290P-10200-00	WASHER	4	
3	JN6-F1481-00-00	BOLT, ENGINE MOUNTING 1	4	
4	JN6-F1411-00-00	BRACKET, ENGINE 1	1	
5	JN6-F1419-02-00	BRACKET, ENGINE 2	1	
6	JR3-F1459-00-00	SPACER	4	
7	9299R-08200-00	WASHER	2	
8	90201-088K6-00	WASHER, PLATE	4	
9	90101-08880-00	BOLT, HEX	4	
10	90179-08885-00	NUT, U-FLANGE	4	

CONTENTS

ACCELERATOR	C1
AIR SHROUD FAN	A8
BODY	C11-12
BODY 2	D1
BODY FITTING	D2
BRAKE	B9-10
BRAKE 2	B11
BRAKE 3	B12
BUMPER	C10
CAMSHAFT VALVE	A7
CARBURETOR	A10
CARRIER JU5-300101~	D5-6
CARRIER ~JU5-300100	D3-4
CRANKCASE	A12
CRANKSHAFT PISTON	A6
CYLINDER HEAD	A5
ELECTRICAL 1 JU5-300101~	D12
ELECTRICAL 1 ~JU5-300100	D11
ELECTRICAL 2	E1-2
ENGINE ASSEMBLY	A4
ENGINE BRACKET	B1
EXHAUST	A11
FRAME	B3
FRONT SUSPENSION WHEEL	B4-5
FUEL TANK	B8
GOVERNOR	C2
HEADLIGHT	D10
INTAKE	A9
PRIMARY SHEAVE	C3
REAR ARM SUSPENSION	B2
REAR AXLE MOUNT WHEEL	C8
SEAT	D7
SECONDARY SHEAVE	C4
SHIFTER CABLES	C9
STARTING MOTOR	D8-9
STEERING	B6-7
TRANSMISSION 1	C5-7
~MODELS IN THIS CATALOG	E3



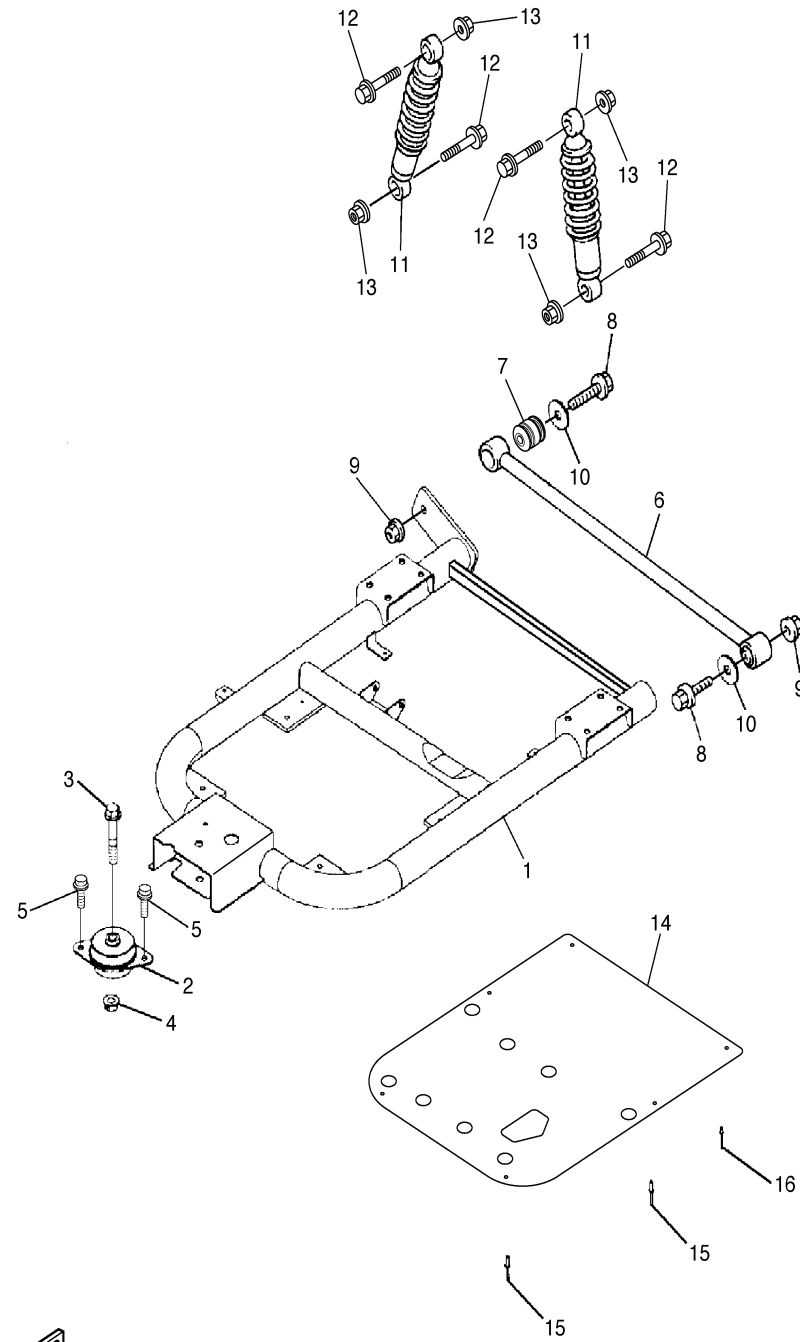
JW51110-C100

REAR ARM SUSPENSION

Ref. No.	Part Number	Description	Qty	Remarks
1	JN6-F2110-02-00	REAR ARM COMP.	1	
2	JN6-F2123-10-00	BUSH 1	1	
3	90105-13864-00	BOLT, FLANGE	1	
4	90179-13878-00	NUT	1	
5	9751P-10620-00	BOLT, HEX WITH WASHER (7-FQA)	2	
6	JN6-F217G-00-00	ROD, CONNECTING ASSY ...	1	
7	JN6-F2124-10-00	BUSH 2	2	
8	9581P-12065-00	BOLT, FLANGE	2	
9	9560P-12200-00	NUT, FLANGE	2	
10	90201-128S4-00	WASHER, PLATE	2	
11	JR6-F2210-00-00	SHOCK ABSORBER	2	
12	9581P-12065-00	BOLT, FLANGE	4	
13	90185-12072-00	NUT, SELF-LOCKING	4	
14	JN6-F2128-01-00	COVER, 1	1	
15	90267-48850-00	RIVET, BLIND	4	
16	90267-40851-00	RIVET, BLIND	2	

CONTENTS

ACCELERATOR	C1
AIR SHROUD FAN	A8
BODY	C11-12
BODY 2	D1
BODY FITTING	D2
BRAKE	B9-10
BRAKE 2	B11
BRAKE 3	B12
BUMPER	C10
CAMSHAFT VALVE	A7
CARBURETOR	A10
CARRIER JU5-300101~	D5-6
CARRIER ~JU5-300100	D3-4
CRANKCASE	A12
CRANKSHAFT PISTON	A6
CYLINDER HEAD	A5
ELECTRICAL 1 JU5-300101~	D12
ELECTRICAL 1 ~JU5-300100	D11
ELECTRICAL 2	E1-2
ENGINE ASSEMBLY	A4
ENGINE BRACKET	B1
EXHAUST	A11
FRAME	B3
FRONT SUSPENSION WHEEL	B4-5
FUEL TANK	B8
GOVERNOR	C2
HEADLIGHT	D10
INTAKE	A9
PRIMARY SHEAVE	C3
REAR ARM SUSPENSION	B2
REAR AXLE MOUNT WHEEL	C8
SEAT	D7
SECONDARY SHEAVE	C4
SHIFTER CABLES	C9
STARTING MOTOR	D8-9
STEERING	B6-7
TRANSMISSION 1	C5-7
~MODELS IN THIS CATALOG	E3



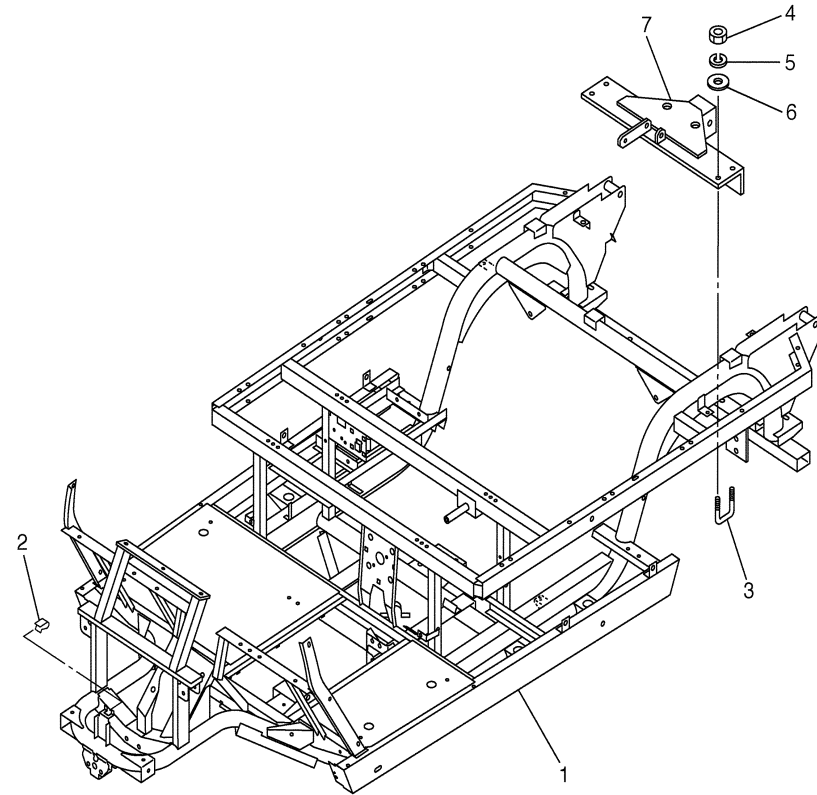
JU51110-C110

FRAME

Ref. No.	Part Number	Description	Qty	Remarks
1	JU5-F2501-01-00	FRAME COMP.	1	
2	JU0-F2567-00-00	SUPPORT 1	1	
3	90109-10862-00	BOLT	2	
4	90170-10847-00	NUT, HEX	4	
5	9290P-10100-00	WASHER	4	
6	9290P-10200-00	WASHER	4	
7	JW5-F722B-00-00	BAR, TOW	1	

CONTENTS

ACCELERATOR	C1
AIR SHROUD FAN	A8
BODY	C11-12
BODY 2	D1
BODY FITTING	D2
BRAKE	B9-10
BRAKE 2	B11
BRAKE 3	B12
BUMPER	C10
CAMSHAFT VALVE	A7
CARBURETOR	A10
CARRIER JU5-300101~	D5-6
CARRIER ~JU5-300100	D3-4
CRANKCASE	A12
CRANKSHAFT PISTON	A6
CYLINDER HEAD	A5
ELECTRICAL 1 JU5-300101~	D12
ELECTRICAL 1 ~JU5-300100	D11
ELECTRICAL 2	E1-2
ENGINE ASSEMBLY	A4
ENGINE BRACKET	B1
EXHAUST	A11
FRAME	B3
FRONT SUSPENSION WHEEL	B4-5
FUEL TANK	B8
GOVERNOR	C2
HEADLIGHT	D10
INTAKE	A9
PRIMARY SHEAVE	C3
REAR ARM SUSPENSION	B2
REAR AXLE MOUNT WHEEL	C8
SEAT	D7
SECONDARY SHEAVE	C4
SHIFTER CABLES	C9
STARTING MOTOR	D8-9
STEERING	B6-7
TRANSMISSION 1	C5-7
~MODELS IN THIS CATALOG	E3



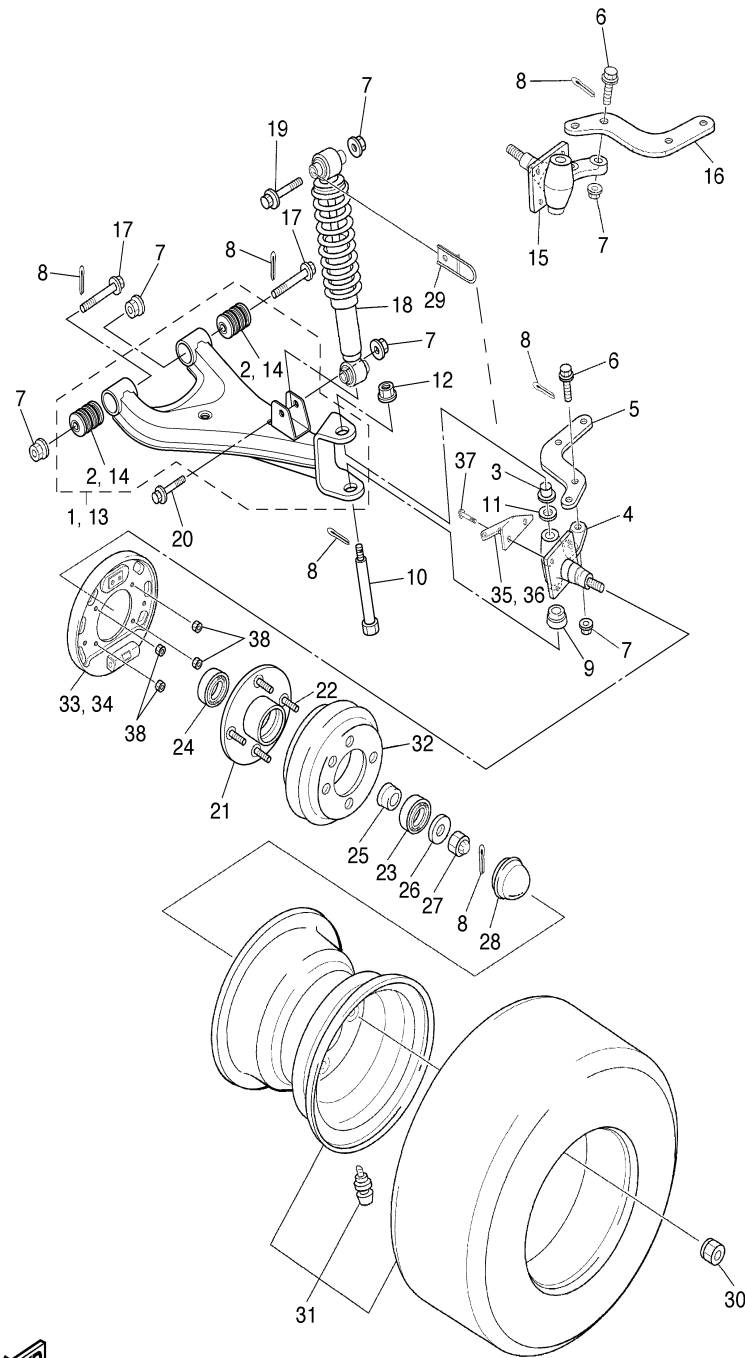
JU51110-C120

FRONT SUSPENSION WHEEL

Ref. No.	Part Number	Description	Qty	Remarks
1	JU5-F3570-10-00	FRONT LOWER ARM COMP. (LEFT)	1	
2	JN6-F3526-00-00	. BUSHING, ARM	2	
3	90384-15825-00	BUSH, BIMETAL	2	
4	JR6-F3501-10-00	STEERING KNUCKLE ASSY (LEFT)	1	
5	JN3-F3512-00-00	ARM, KNUCKLE	1	
6	90105-10895-00	BOLT, FLANGE	4	
7	95607-10200-00	NUT, R.H. THREAD	12	
8	91401-25020-00	PIN, COTTER	12	
9	J38-23527-00-00	SEAL, DUST	2	
10	JR6-F3516-00-00	PIN, STEERING KNUCKLE	2	
11	90201-158S6-00	WASHER, PLATE	2	
12	9560P-10200-00	NUT, U-FLANGE	2	
13	JU5-F3580-10-00	FRONT LOWER ARM COMP. (RIGHT)	1	
14	JN6-F3526-00-00	. BUSHING, ARM	2	
15	JR6-F3502-10-00	STEERING KNUCKLE ASSY (RIGHT)	1	
16	JN3-F3512-00-00	ARM, KNUCKLE	1	
17	90105-10894-00	BOLT, FLANGE	4	
18	JR6-F3350-00-00	SHOCK ABSORBER ASSY	2	
19	95807-10065-00	BOLT, FLANGE	2	
20	95807-10055-00	BOLT, FLANGE	2	
21	JR6-F5110-00-00	HUB ASSY, FRONT	2	
22	90114-12803-00	BOLT, KNURLED	8	
23	93306-204X0-00	BEARING	2	
24	93306-005Y3-00	BEARING	2	
25	90387-241M7-00	COLLAR	2	
26	90209-32832-00	WASHER	2	
27	95607-14100-00	NUT, U	2	

CONTENTS

ACCELERATOR	C1
AIR SHROUD FAN	A8
BODY	C11-12
BODY 2	D1
BODY FITTING	D2
BRAKE	B9-10
BRAKE 2	B11
BRAKE 3	B12
BUMPER	C10
CAMSHAFT VALVE	A7
CARBURETOR	A10
CARRIER JU5-300101~	D5-6
CARRIER ~JU5-300100	D3-4
CRANKCASE	A12
CRANKSHAFT PISTON	A6
CYLINDER HEAD	A5
ELECTRICAL 1 JU5-300101~	D12
ELECTRICAL 1 ~JU5-300100	D11
ELECTRICAL 2	E1-2
ENGINE ASSEMBLY	A4
ENGINE BRACKET	B1
EXHAUST	A11
FRAME	B3
FRONT SUSPENSION WHEEL	B4-5
FUEL TANK	B8
GOVERNOR	C2
HEADLIGHT	D10
INTAKE	A9
PRIMARY SHEAVE	C3
REAR ARM SUSPENSION	B2
REAR AXLE MOUNT WHEEL	C8
SEAT	D7
SECONDARY SHEAVE	C4
SHIFTER CABLES	C9
STARTING MOTOR	D8-9
STEERING	B6-7
TRANSMISSION 1	C5-7
~MODELS IN THIS CATALOG	E3



JU51110-C130

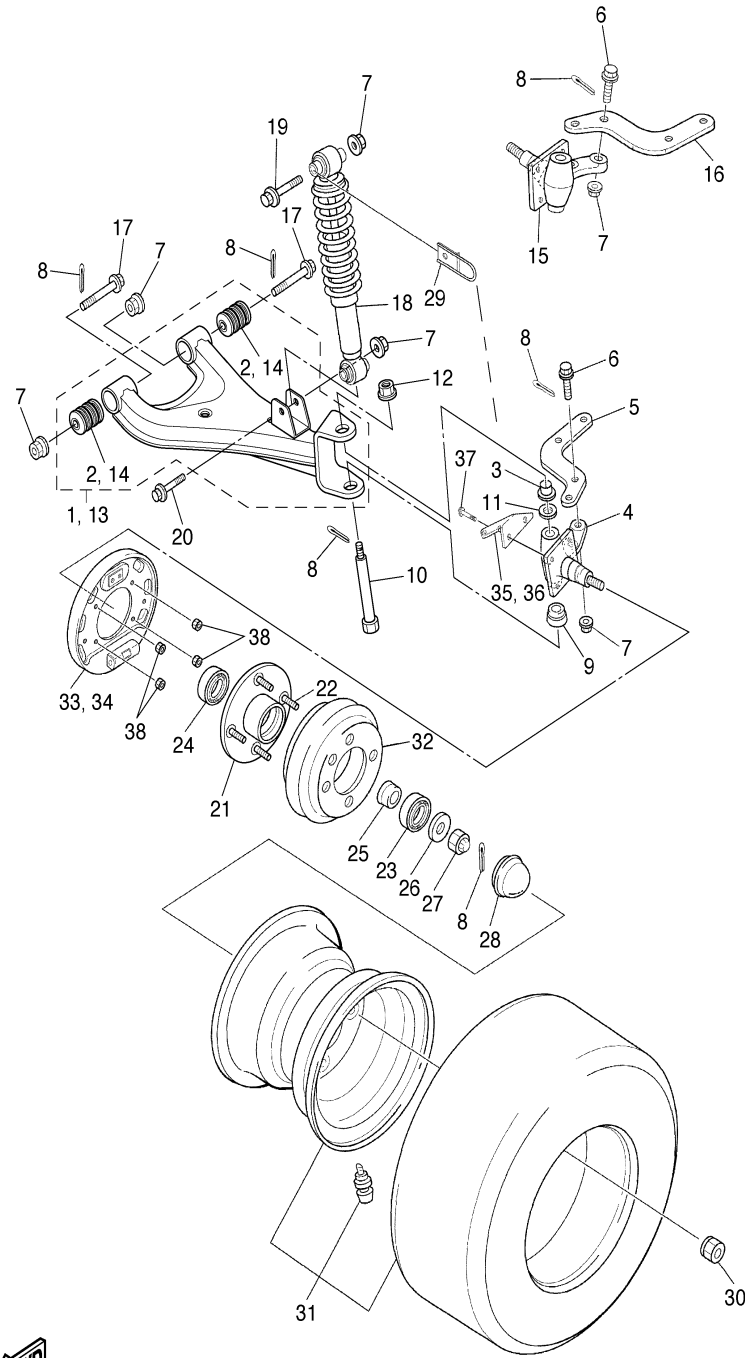
CONTINUED ON NEXT FRAME ►

FRONT SUSPENSION WHEEL

Ref. No.	Part Number	Description	Qty	Remarks
28	JN6-F5118-00-00	COVER, HUB DUST	2	
29	JR6-F1339-00-00	GUIDE, WIRE	2	
30	90179-12262-00	NUT	8	
31	JN6-F5100-20-00	WHEEL ASSY (18X8.50-8 4PLY)	2	
32	J55-G6521-10-00	DRUM	2	
33	JN6-F7290-03-00	BACKING PLATE ASSY L.H. ..	1	SEE BRAKE 2 (L.H)
34	JN6-F7280-03-00	BACKING PLATE ASSY R.H. ..	1	SEE BRAKE 3 (R.H)
35	JR6-F7263-00-00	BRACKET 1, L.H.	1	
36	JR6-F7264-00-00	BRACKET 1, R.H.	1	
37	9502P-08025-00	BOLT	8	
38	9560P-08200-00	NUT, SELF-LOCKING	8	

CONTENTS

ACCELERATOR	C1
AIR SHROUD FAN	A8
BODY	C11-12
BODY 2	D1
BODY FITTING	D2
BRAKE	B9-10
BRAKE 2	B11
BRAKE 3	B12
BUMPER	C10
CAMSHAFT VALVE	A7
CARBURETOR	A10
CARRIER JU5-300101~	D5-6
CARRIER ~JU5-300100	D3-4
CRANKCASE	A12
CRANKSHAFT PISTON	A6
CYLINDER HEAD	A5
ELECTRICAL 1 JU5-300101~	D12
ELECTRICAL 1 ~JU5-300100	D11
ELECTRICAL 2	E1-2
ENGINE ASSEMBLY	A4
ENGINE BRACKET	B1
EXHAUST	A11
FRAME	B3
FRONT SUSPENSION WHEEL	B4-5
FUEL TANK	B8
GOVERNOR	C2
HEADLIGHT	D10
INTAKE	A9
PRIMARY SHEAVE	C3
REAR ARM SUSPENSION	B2
REAR AXLE MOUNT WHEEL	C8
SEAT	D7
SECONDARY SHEAVE	C4
SHIFTER CABLES	C9
STARTING MOTOR	D8-9
STEERING	B6-7
TRANSMISSION 1	C5-7
~MODELS IN THIS CATALOG	E3



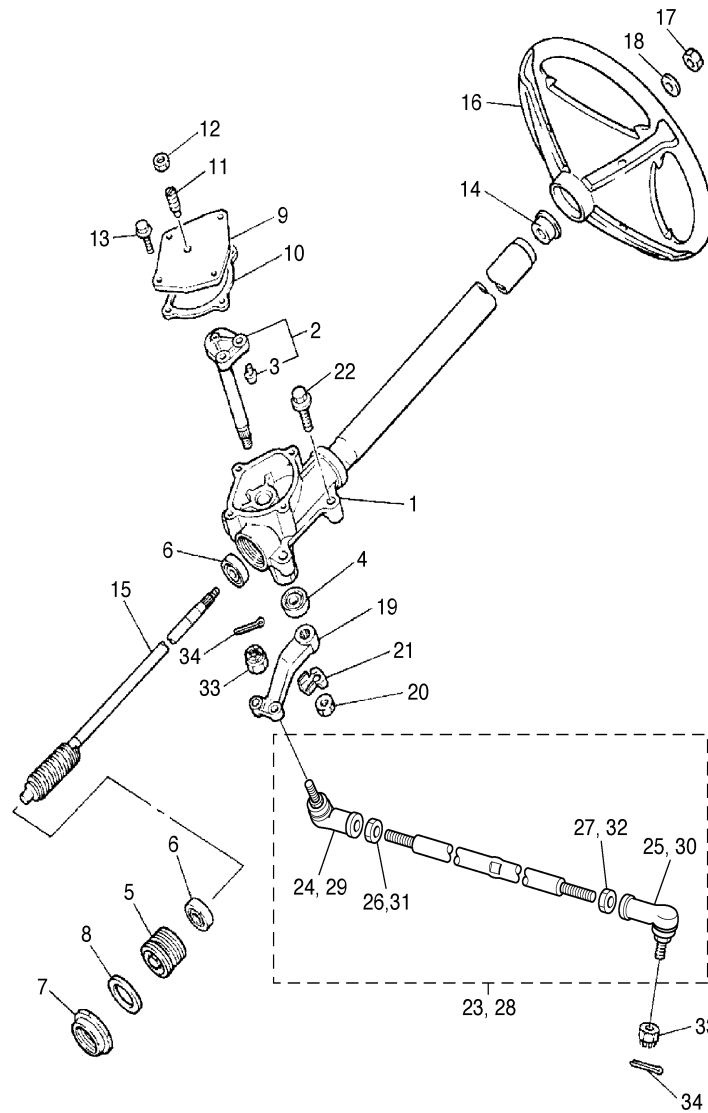
JU51110-C130

STEERING

Ref. No.	Part Number	Description	Qty	Remarks
1	JG5-F3811-00-00	COLUMN, STEERING	1	
2	J38-23816-00-00	ARM, PITMAN	1	
3	J38-23836-00-00	. PIN, PITMAN	2	
4	93102-22082-00	OIL SEAL	1	
5	J55-F3876-00-00	BOLT	1	
6	93332-000Y2-00	BEARING	2	
7	J10-23877-00-00	NUT	1	
8	J10-23444-00-00	WASHER	1	
9	JN3-F3818-00-00	COVER, STEERING	1	
10	J38-23462-01-00	SEAL, STEERING	1	
11	J10-F3459-00-00	BOLT	1	
12	90170-08024-00	NUT, HEX	1	
13	95807-06020-00	BOLT, FLANGE	4	
14	JN3-F3814-00-00	HOLDER, HANDLE	1	
15	J10-23840-00-00	STEERING SHAFT	1	
16	JN3-F3838-00-00	WHEEL, STEERING	1	
17	90185-12061-00	NUT, SELF-LOCKING	1	
18	9290P-12200-00	WASHER	1	
19	J38-23826-01-00	ARM, IDLER	1	
20	95707-16300-00	NUT, NYLON	1	
21	90215-16814-00	WASHER, TONGUE	1	
22	90105-10880-00	BOLT, FLANGE	4	
23	JN6-F3830-11-00	TIE ROD ASSY, LEFT	1	
24	JN6-F3841-00-00	. UNIVERSAL JOINT (RH THREAD)	1	
25	JN6-F3845-00-00	. UNIVERSAL JOINT (LH THREAD)	1	LH THREAD
26	9530N-10600-00	. NUT	1	
27	90170-10414-00	. NUT (LH THREAD)	1	LH THREAD
28	JN6-F3850-11-00	TIE ROD ASSY, RIGHT	1	
29	JN6-F3841-00-00	. UNIVERSAL JOINT (RH THREAD)	1	

CONTENTS

ACCELERATOR	C1
AIR SHROUD FAN	A8
BODY	C11-12
BODY 2	D1
BODY FITTING	D2
BRAKE	B9-10
BRAKE 2	B11
BRAKE 3	B12
BUMPER	C10
CAMSHAFT VALVE	A7
CARBURETOR	A10
CARRIER JU5-300101~	D5-6
CARRIER ~JU5-300100	D3-4
CRANKCASE	A12
CRANKSHAFT PISTON	A6
CYLINDER HEAD	A5
ELECTRICAL 1 JU5-300101~	D12
ELECTRICAL 1 ~JU5-300100	D11
ELECTRICAL 2	E1-2
ENGINE ASSEMBLY	A4
ENGINE BRACKET	B1
EXHAUST	A11
FRAME	B3
FRONT SUSPENSION WHEEL	B4-5
FUEL TANK	B8
GOVERNOR	C2
HEADLIGHT	D10
INTAKE	A9
PRIMARY SHEAVE	C3
REAR ARM SUSPENSION	B2
REAR AXLE MOUNT WHEEL	C8
SEAT	D7
SECONDARY SHEAVE	C4
SHIFTER CABLES	C9
STARTING MOTOR	D8-9
STEERING	B6-7
TRANSMISSION 1	C5-7
~MODELS IN THIS CATALOG	E3



JU91110-C140

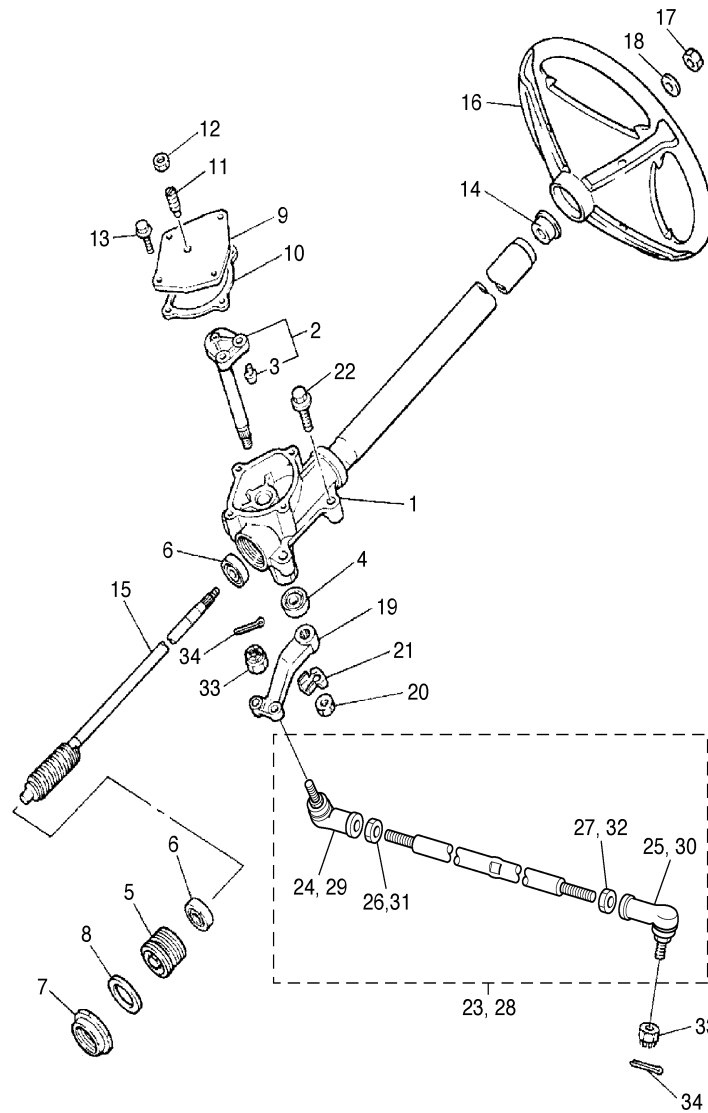
CONTINUED ON NEXT FRAME ►

STEERING

Ref. No.	Part Number	Description	Qty	Remarks
30	JN6-F3845-00-00	. UNIVERSAL JOINT (LH THREAD)	1	LH THREAD
31	9530N-10600-00	. NUT	1	
32	90170-10414-00	. NUT (LH THREAD)	1	LH THREAD
33	95607-10200-00	NUT, R.H. THREAD	4	
34	91401-25020-00	PIN, COTTER	4	

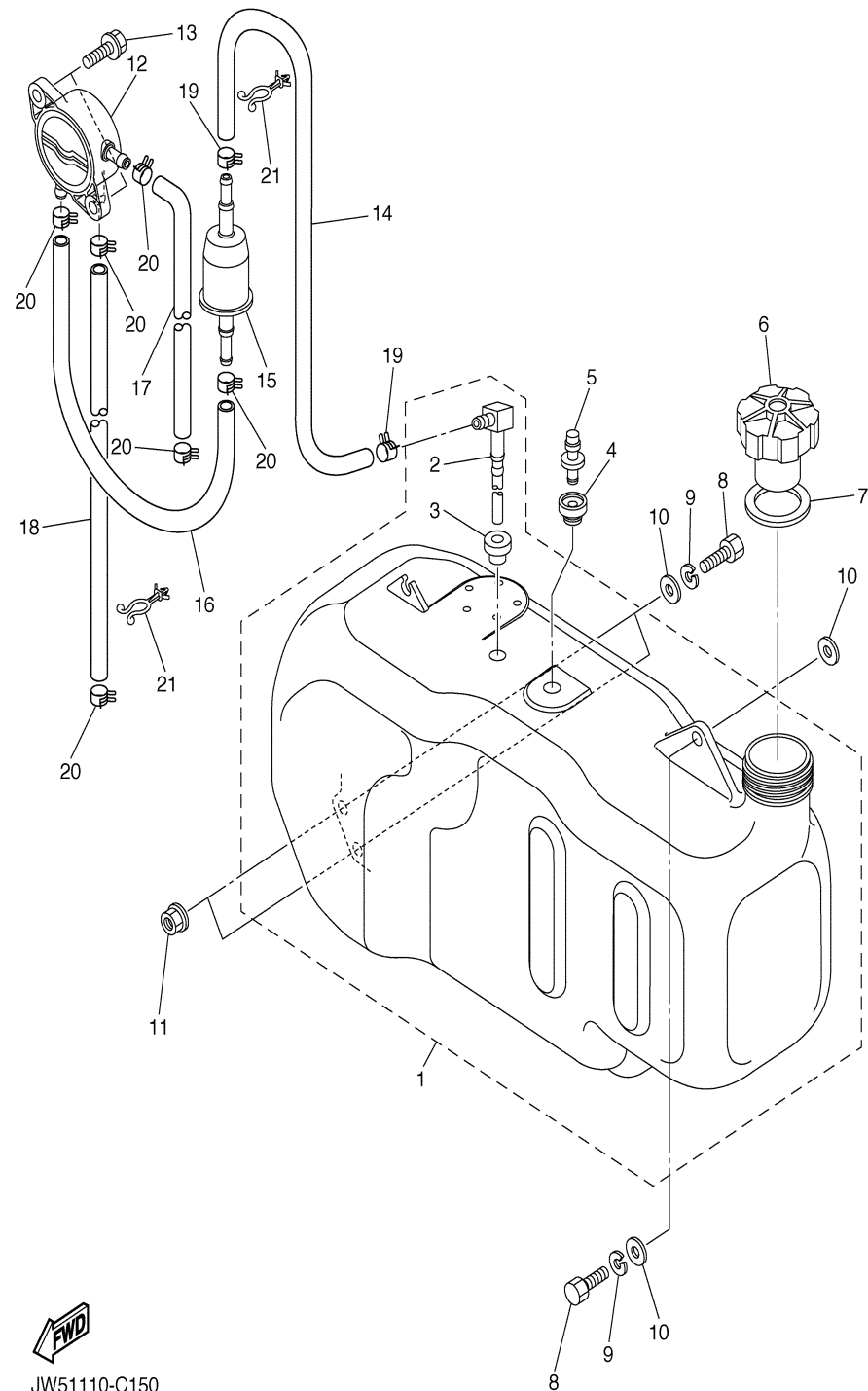
CONTENTS

ACCELERATOR	C1
AIR SHROUD FAN	A8
BODY	C11-12
BODY 2	D1
BODY FITTING	D2
BRAKE	B9-10
BRAKE 2	B11
BRAKE 3	B12
BUMPER	C10
CAMSHAFT VALVE	A7
CARBURETOR	A10
CARRIER JU5-300101~	D5-6
CARRIER ~JU5-300100	D3-4
CRANKCASE	A12
CRANKSHAFT PISTON	A6
CYLINDER HEAD	A5
ELECTRICAL 1 JU5-300101~	D12
ELECTRICAL 1 ~JU5-300100	D11
ELECTRICAL 2	E1-2
ENGINE ASSEMBLY	A4
ENGINE BRACKET	B1
EXHAUST	A11
FRAME	B3
FRONT SUSPENSION WHEEL	B4-5
FUEL TANK	B8
GOVERNOR	C2
HEADLIGHT	D10
INTAKE	A9
PRIMARY SHEAVE	C3
REAR ARM SUSPENSION	B2
REAR AXLE MOUNT WHEEL	C8
SEAT	D7
SECONDARY SHEAVE	C4
SHIFTER CABLES	C9
STARTING MOTOR	D8-9
STEERING	B6-7
TRANSMISSION 1	C5-7
~MODELS IN THIS CATALOG	E3



JU91110-C140

FUEL TANK



Ref. No.	Part Number	Description	Qty	Remarks
1	JU5-F4110-00-00	FUEL TANK COMP.	1	~JU5-300600
	JU5-F4110-01-00	FUEL TANK COMP.	1	JU5-300601~
2	JU5-F4300-00-00	. FUEL PIPE JOINT	1	~JU5-300600
	JU5-F4300-10-00	. FUEL PIPE JOINT	1	JU5-300601~
3	JU5-F4375-00-00	. GROMMET	1	
4	J10-21773-00-00	GROMMET	1	
5	J24-24460-01-00	RELEASE VALVE ASSEMBLY .	1	
6	J24-24620-01-00	BODY CAP ASSEMBLY	1	
7	J10-24612-00-00	GASKET, CAP	1	
8	97007-08025-00	BOLT	3	
9	92907-08100-00	WASHER, SPRING	3	
10	90201-088S2-00	WASHER, PLATE	4	
11	9560P-08200-00	NUT, SELF-LOCKING	2	
12	JN6-F4410-10-00	FUEL PUMP ASSY	1	
13	JN6-F3394-00-00	BOLT, SPECIAL	2	
14	JU5-F4312-00-00	PIPE 2	1	~JU5-300600
	JU5-F4312-10-00	PIPE 2	1	JU5-300601~
15	JN6-F4560-00-00	FILTER ASSY	1	
16	JN6-F4311-20-00	PIPE, FUEL 1	1	~JU5-300600
	JN6-F4311-30-00	PIPE, FUEL 1	1	JU5-300601~
17	JN6-F4313-20-00	PIPE 3	1	~JU5-300600
	JN6-F4313-30-00	PIPE 3	1	JU5-300601~
18	JN6-F4314-20-00	PIPE 4	1	~JU5-300600
	JN6-F4314-21-00	PIPE 4	1	JU5-300601~
19	90467-12845-00	CLIP	2	
20	90467-10846-00	CLIP	6	
21	90464-11816-00	CLAMP	2	

CONTENTS

ACCELERATOR	C1
AIR SHROUD FAN	A8
BODY	C11-12
BODY 2	D1
BODY FITTING	D2
BRAKE	B9-10
BRAKE 2	B11
BRAKE 3	B12
BUMPER	C10
CAMSHAFT VALVE	A7
CARBURETOR	A10
CARRIER JU5-300101~	D5-6
CARRIER ~JU5-300100	D3-4
CRANKCASE	A12
CRANKSHAFT PISTON	A6
CYLINDER HEAD	A5
ELECTRICAL 1 JU5-300101~	D12
ELECTRICAL 1 ~JU5-300100	D11
ELECTRICAL 2	E1-2
ENGINE ASSEMBLY	A4
ENGINE BRACKET	B1
EXHAUST	A11
FRAME	B3
FRONT SUSPENSION WHEEL	B4-5
FUEL TANK	B8
GOVERNOR	C2
HEADLIGHT	D10
INTAKE	A9
PRIMARY SHEAVE	C3
REAR ARM SUSPENSION	B2
REAR AXLE MOUNT WHEEL	C8
SEAT	D7
SECONDARY SHEAVE	C4
SHIFTER CABLES	C9
STARTING MOTOR	D8-9
STEERING	B6-7
TRANSMISSION 1	C5-7
~MODELS IN THIS CATALOG	E3



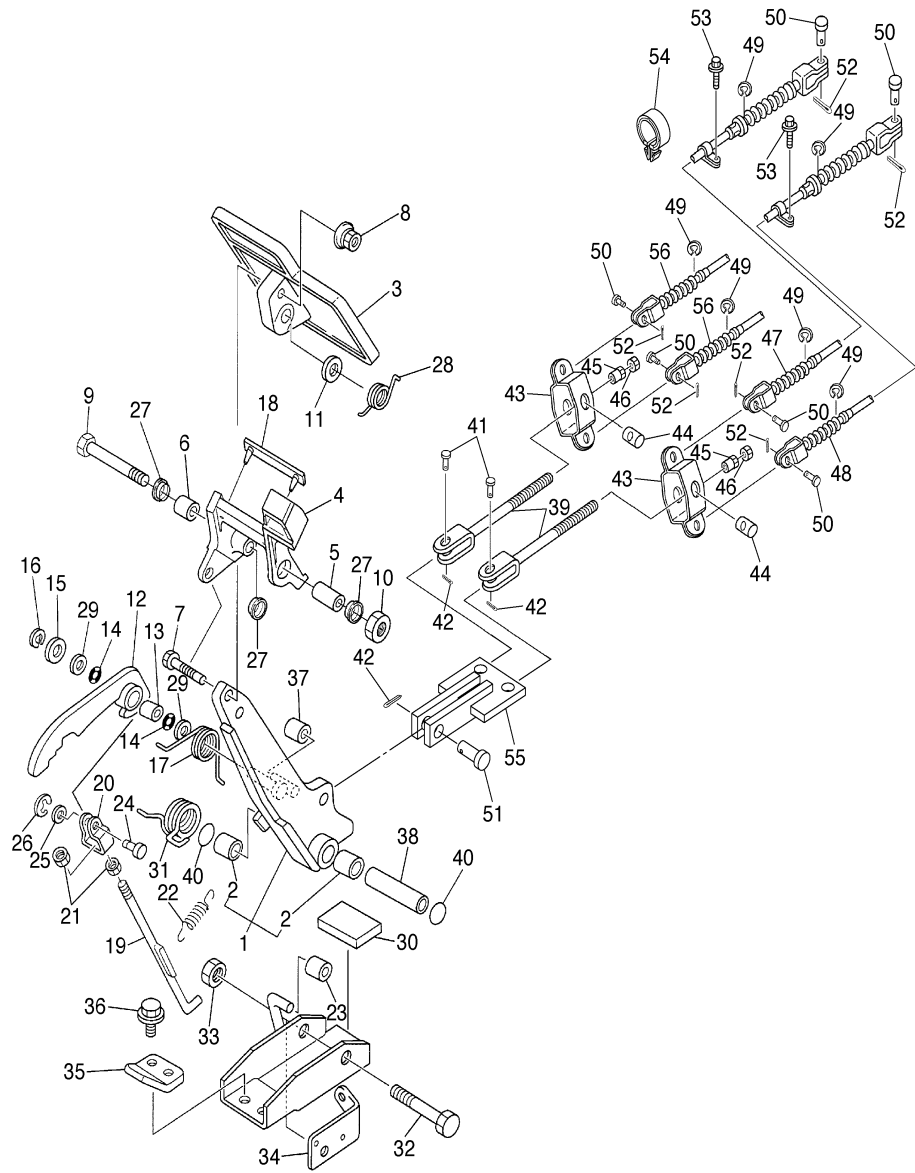
JW51110-C150

BRAKE

Ref. No.	Part Number	Description	Qty	Remarks
1	J46-27250-03-00	BRAKE ARM COMP.	1	
2	90384-14080-00	. BUSH, BIMETAL	2	
3	JU0-27211-01-00	PEDAL, BRAKE	1	
4	JU0-25671-00-00	PEDAL, PARKING BRAKE	1	
5	90387-08014-00	COLLAR	1	
6	90387-08013-00	COLLAR	1	
7	97027-06035-00	BOLT	1	
8	90179-07564-00	NUT	1	
9	97027-08100-00	BOLT, HEX	1	
10	95307-08600-00	NUT	1	
11	92907-08200-00	WASHER, PLAIN	1	
12	J17-25666-02-00	SECTOR, PARKING BRAKE ..	1	
13	90384-10162-00	BUSH, BIMETAL	1	
14	J17-27221-00-00	SEAL, SHAFT	2	
15	92907-10600-00	WASHER, PLAIN	1	
16	99001-07600-00	CIRCLIP	1	
17	90508-14548-00	SPRING, TORSION	1	
18	J17-25672-01-00	PAD, PARKING	1	
19	J17-27231-03-00	ROD, BRAKE	1	
20	J17-27232-00-00	END, ROD	1	
21	95307-06700-00	NUT	2	
22	90506-09001-00	SPRING, TENSION	1	
23	J17-25673-00-00	DAMPER, BRAKE	1	
24	J17-27228-00-00	PIN, LINK JOINT	1	
25	92907-05600-00	WASHER, PLATE	1	
26	99001-04600-00	CIRCLIP	1	
27	90387-12009-00	COLLAR	3	
28	90508-32015-00	SPRING, TORSION	1	
29	90201-104G8-00	WASHER, PLAIN	2	
30	JN3-F7245-00-00	PAD, BRAKE PEDAL	1	

CONTENTS

ACCELERATOR	C1
AIR SHROUD FAN	A8
BODY	C11-12
BODY 2	D1
BODY FITTING	D2
BRAKE	B9-10
BRAKE 2	B11
BRAKE 3	B12
BUMPER	C10
CAMSHAFT VALVE	A7
CARBURETOR	A10
CARRIER JU5-300101~	D5-6
CARRIER ~JU5-300100	D3-4
CRANKCASE	A12
CRANKSHAFT PISTON	A6
CYLINDER HEAD	A5
ELECTRICAL 1 JU5-300101~	D12
ELECTRICAL 1 ~JU5-300100	D11
ELECTRICAL 2	E1-2
ENGINE ASSEMBLY	A4
ENGINE BRACKET	B1
EXHAUST	A11
FRAME	B3
FRONT SUSPENSION WHEEL	B4-5
FUEL TANK	B8
GOVERNOR	C2
HEADLIGHT	D10
INTAKE	A9
PRIMARY SHEAVE	C3
REAR ARM SUSPENSION	B2
REAR AXLE MOUNT WHEEL	C8
SEAT	D7
SECONDARY SHEAVE	C4
SHIFTER CABLES	C9
STARTING MOTOR	D8-9
STEERING	B6-7
TRANSMISSION 1	C5-7
~MODELS IN THIS CATALOG	E3



JU51110-C160

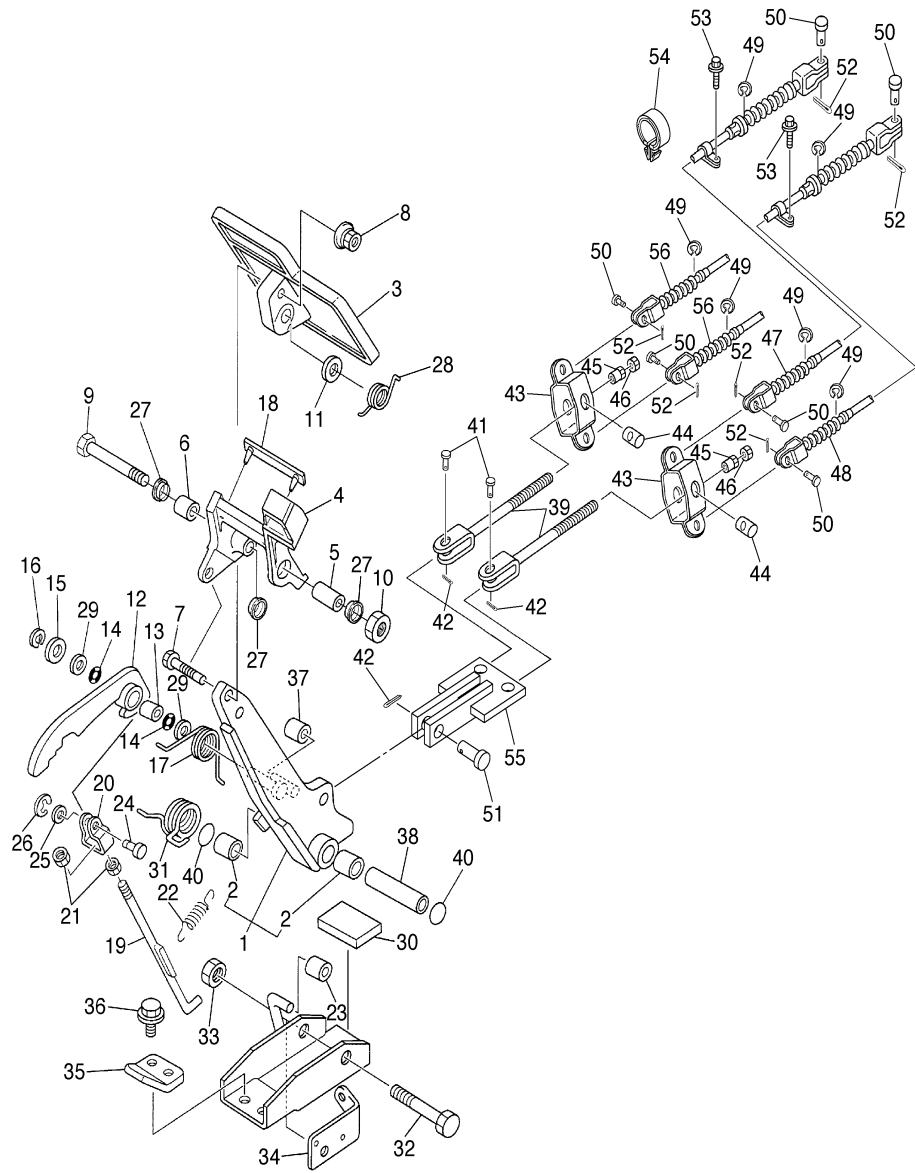
CONTINUED ON NEXT FRAME ►

BRAKE

Ref. No.	Part Number	Description	Qty	Remarks
31	90508-40007-00	SPRING, TORSION	1	
32	90101-10884-00	BOLT, HEX.	1	
33	95607-10200-00	NUT, R.H. THREAD	1	
34	J55-2252M-00-00	BRACKET	1	
35	J17-27246-00-00	NAIL, BRAKE	1	
36	90105-08878-00	BOLT, FLANGE	2	
37	J17-25673-00-00	DAMPER, BRAKE	1	
38	90387-107F8-00	COLLAR	1	
39	JN6-F5685-00-00	ROD	2	
40	93210-132A8-00	O-RING	2	
41	91701-10022-00	PIN	2	
42	91490-30015-00	PIN, COTTER	3	
43	J10-25681-00-00	EQUALIZER, BRAKE	2	
44	90249-14129-00	PIN	2	
45	90179-08894-00	NUT	2	
46	95307-08700-00	NUT, HEX.	2	
47	JJ3-F6341-01-00	WIRE, BRAKE 1	1	
48	JJ3-F6351-02-00	WIRE, BRAKE 2	1	
49	99001-09600-00	CIRCLIP	8	
50	91701-08018-00	PIN	8	
51	91701-10028-00	PIN, CLEVIS	1	
52	91490-25015-00	PIN, COTTER	8	
53	90105-06876-00	BOLT, FLANGE	2	
54	90464-19815-00	CLAMP	1	
55	JR6-F7215-00-00	LINK	1	
56	JR6-F6361-00-00	WIRE, BRAKE 3	2	

CONTENTS

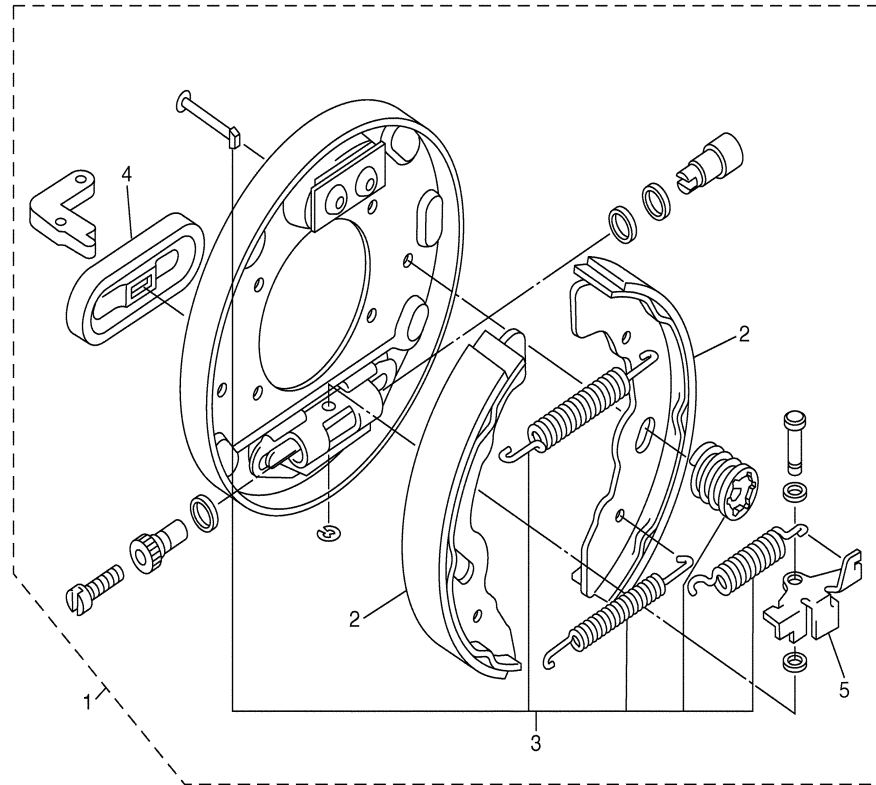
ACCELERATOR	C1
AIR SHROUD FAN	A8
BODY	C11-12
BODY 2	D1
BODY FITTING	D2
BRAKE	B9-10
BRAKE 2	B11
BRAKE 3	B12
BUMPER	C10
CAMSHAFT VALVE	A7
CARBURETOR	A10
CARRIER JU5-300101~	D5-6
CARRIER ~JU5-300100	D3-4
CRANKCASE	A12
CRANKSHAFT PISTON	A6
CYLINDER HEAD	A5
ELECTRICAL 1 JU5-300101~	D12
ELECTRICAL 1 ~JU5-300100	D11
ELECTRICAL 2	E1-2
ENGINE ASSEMBLY	A4
ENGINE BRACKET	B1
EXHAUST	A11
FRAME	B3
FRONT SUSPENSION WHEEL	B4-5
FUEL TANK	B8
GOVERNOR	C2
HEADLIGHT	D10
INTAKE	A9
PRIMARY SHEAVE	C3
REAR ARM SUSPENSION	B2
REAR AXLE MOUNT WHEEL	C8
SEAT	D7
SECONDARY SHEAVE	C4
SHIFTER CABLES	C9
STARTING MOTOR	D8-9
STEERING	B6-7
TRANSMISSION 1	C5-7
~MODELS IN THIS CATALOG	E3



JU51110-C160

BRAKE 2

Ref. No.	Part Number	Description	Qty	Remarks
1	JN6-F7290-03-00	BACKING PLATE ASSY L.H. . . .	2	L/S FRONT & REAR
2	JN6-F5331-01-00	. SHOE, BRAKE SET	2	(FOR ONE WHEEL)
3	JN6-F819G-00-00	. REPAIR PARTS KIT	1	
4	JN6-F7286-00-00	. COVER, DUST	1	
5	JN6-F722E-00-00	. LEVER ADJUSTER (LH)	1	



CONTENTS

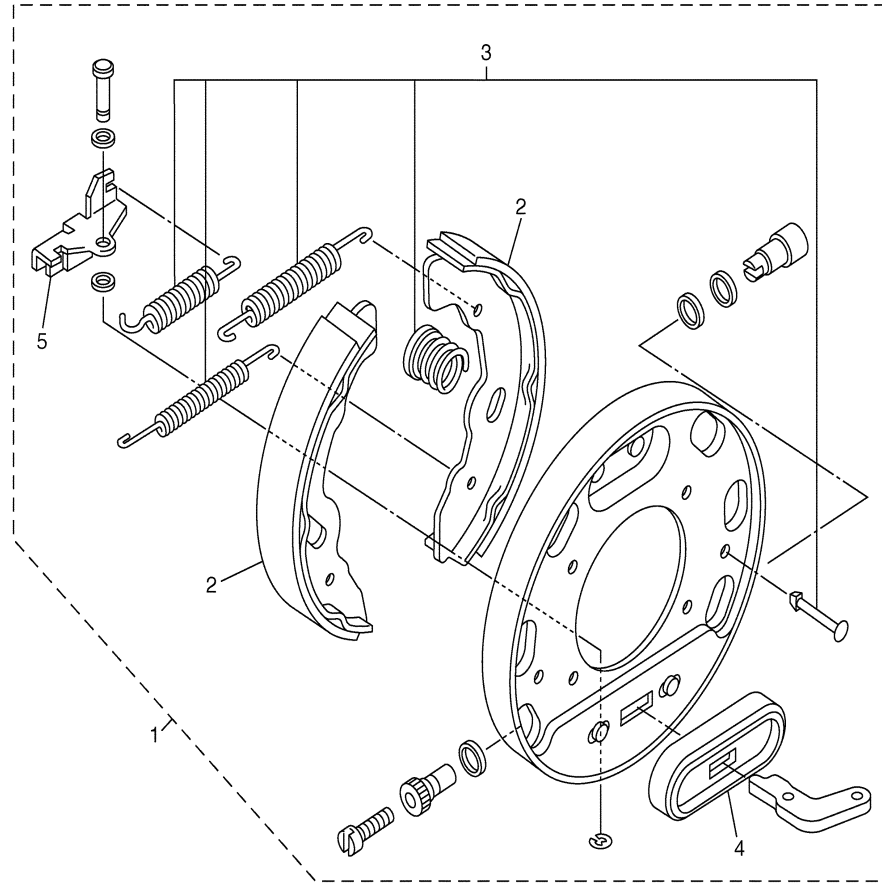
ACCELERATOR	C1
AIR SHROUD FAN	A8
BODY	C11-12
BODY 2	D1
BODY FITTING	D2
BRAKE	B9-10
BRAKE 2	B11
BRAKE 3	B12
BUMPER	C10
CAMSHAFT VALVE	A7
CARBURETOR	A10
CARRIER JU5-300101~	D5-6
CARRIER ~JU5-300100	D3-4
CRANKCASE	A12
CRANKSHAFT PISTON	A6
CYLINDER HEAD	A5
ELECTRICAL 1 JU5-300101~	D12
ELECTRICAL 1 ~JU5-300100	D11
ELECTRICAL 2	E1-2
ENGINE ASSEMBLY	A4
ENGINE BRACKET	B1
EXHAUST	A11
FRAME	B3
FRONT SUSPENSION WHEEL	B4-5
FUEL TANK	B8
GOVERNOR	C2
HEADLIGHT	D10
INTAKE	A9
PRIMARY SHEAVE	C3
REAR ARM SUSPENSION	B2
REAR AXLE MOUNT WHEEL	C8
SEAT	D7
SECONDARY SHEAVE	C4
SHIFTER CABLES	C9
STARTING MOTOR	D8-9
STEERING	B6-7
TRANSMISSION 1	C5-7
~MODELS IN THIS CATALOG	E3



JT71010-B160

BRAKE 3

Ref. No.	Part Number	Description	Qty	Remarks
1	JN6-F7280-03-00	BACKING PLATE ASSY R.H. . . .	2	R/S FRONT & REAR
2	JN6-F5331-01-00	. SHOE, BRAKE SET	2	(FOR ONE WHEEL)
3	JN6-F819G-00-00	. REPAIR PARTS KIT	1	
4	JN6-F7286-00-00	. COVER, DUST	1	
5	JN6-F722F-00-00	. LEVER ADJUSTER (RH)	1	



CONTENTS

ACCELERATOR	C1
AIR SHROUD FAN	A8
BODY	C11-12
BODY 2	D1
BODY FITTING	D2
BRAKE	B9-10
BRAKE 2	B11
BRAKE 3	B12
BUMPER	C10
CAMSHAFT VALVE	A7
CARBURETOR	A10
CARRIER JU5-300101~	D5-6
CARRIER ~JU5-300100	D3-4
CRANKCASE	A12
CRANKSHAFT PISTON	A6
CYLINDER HEAD	A5
ELECTRICAL 1 JU5-300101~	D12
ELECTRICAL 1 ~JU5-300100	D11
ELECTRICAL 2	E1-2
ENGINE ASSEMBLY	A4
ENGINE BRACKET	B1
EXHAUST	A11
FRAME	B3
FRONT SUSPENSION WHEEL	B4-5
FUEL TANK	B8
GOVERNOR	C2
HEADLIGHT	D10
INTAKE	A9
PRIMARY SHEAVE	C3
REAR ARM SUSPENSION	B2
REAR AXLE MOUNT WHEEL	C8
SEAT	D7
SECONDARY SHEAVE	C4
SHIFTER CABLES	C9
STARTING MOTOR	D8-9
STEERING	B6-7
TRANSMISSION 1	C5-7
~MODELS IN THIS CATALOG	E3



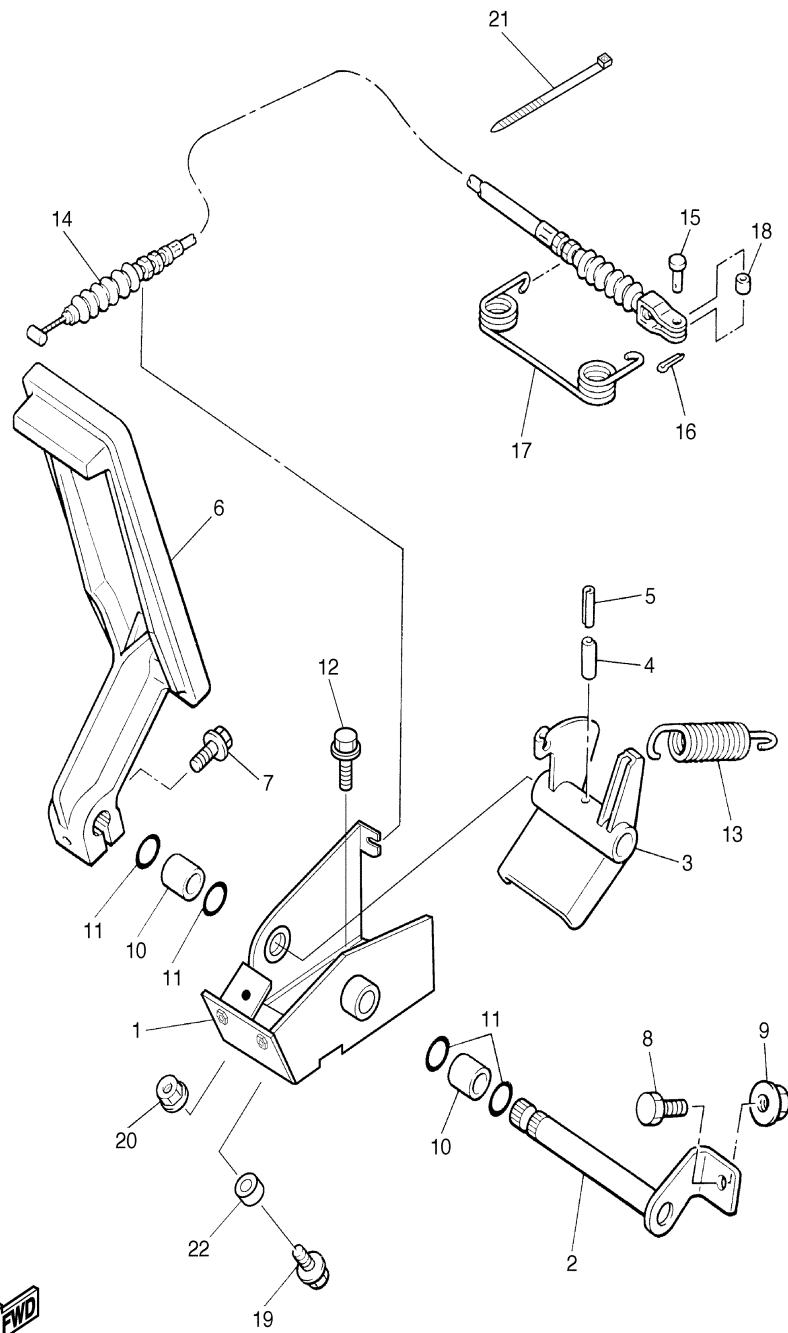
JT71010-B170

ACCELERATOR

Ref. No.	Part Number	Description	Qty	Remarks
1	JN6-F7874-01-00	BRACKET, PEDAL	1	
2	J17-27853-01-00	SHAFT, PEDAL 1	1	
3	J38-27872-00-00	ARM, ACCELERATOR	1	
4	91609-60028-00	PIN, SPRING	1	
5	91609-35028-00	PIN, SPRING	1	
6	J10-27871-01-00	PEDAL, ACCELERATOR	1	
7	95807-06025-00	BOLT, FLANGE	1	
8	90106-08806-00	BOLT, RD. HEX	1	
9	95707-08500-00	NUT, FLANGE	1	
10	90384-14080-00	BUSH, BIMETAL	2	
11	93210-14104-00	O-RING	4	
12	90105-08878-00	BOLT, FLANGE	3	
13	90506-26282-00	SPRING, TENSION	1	
14	JJ3-F6311-00-00	CABLE, THROTTLE 1	1	
15	91701-05012-00	PIN, CLEVIS	1	
16	90468-10049-00	CLIP	1	
17	90508-16460-00	SPRING, TORSION	1	
18	90560-05001-00	SPACER	1	
19	95807-06025-00	BOLT, FLANGE	1	
20	95707-06500-00	NUT, FLANGE	1	
21	90464-40825-00	CLAMP	2	
22	90387-068T4-00	COLLAR	1	

CONTENTS

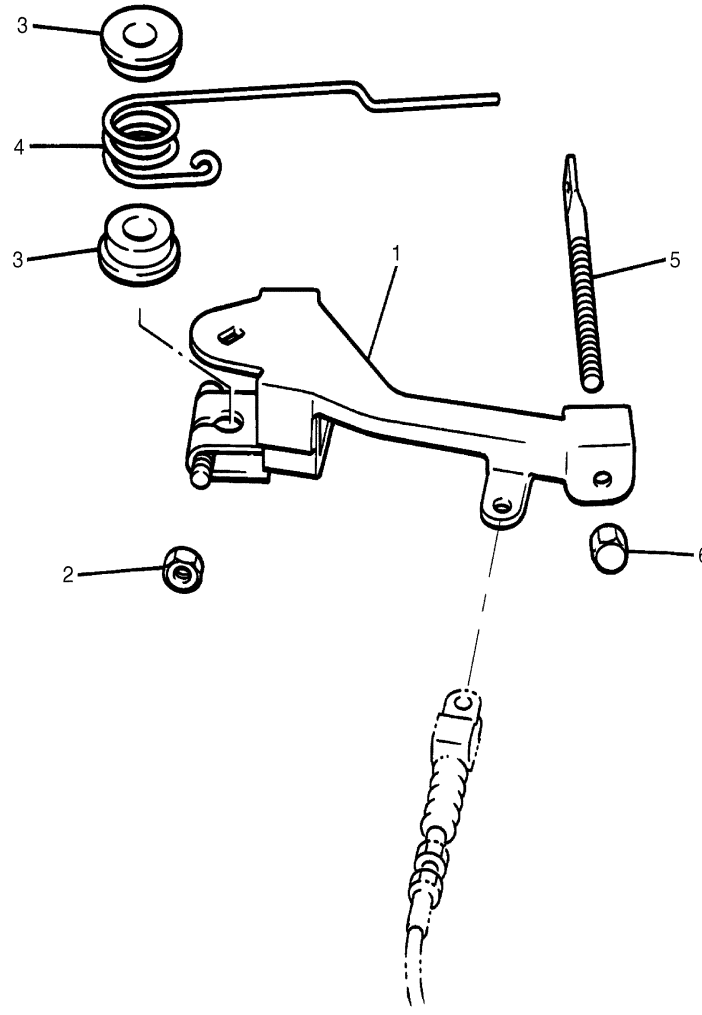
ACCELERATOR	C1
AIR SHROUD FAN	A8
BODY	C11-12
BODY 2	D1
BODY FITTING	D2
BRAKE	B9-10
BRAKE 2	B11
BRAKE 3	B12
BUMPER	C10
CAMSHAFT VALVE	A7
CARBURETOR	A10
CARRIER JU5-300101~	D5-6
CARRIER ~JU5-300100	D3-4
CRANKCASE	A12
CRANKSHAFT PISTON	A6
CYLINDER HEAD	A5
ELECTRICAL 1 JU5-300101~	D12
ELECTRICAL 1 ~JU5-300100	D11
ELECTRICAL 2	E1-2
ENGINE ASSEMBLY	A4
ENGINE BRACKET	B1
EXHAUST	A11
FRAME	B3
FRONT SUSPENSION WHEEL	B4-5
FUEL TANK	B8
GOVERNOR	C2
HEADLIGHT	D10
INTAKE	A9
PRIMARY SHEAVE	C3
REAR ARM SUSPENSION	B2
REAR AXLE MOUNT WHEEL	C8
SEAT	D7
SECONDARY SHEAVE	C4
SHIFTER CABLES	C9
STARTING MOTOR	D8-9
STEERING	B6-7
TRANSMISSION 1	C5-7
-MODELS IN THIS CATALOG	E3



JT71010-B180

GOVERNOR

Ref. No.	Part Number	Description	Qty	Remarks
1	J38-27951-00-00	LEVER, SPEED	1	
2	95307-06600-00	NUT	1	
3	90386-08141-00	BUSH	2	
4	90508-40678-00	SPRING, TORSION	1	
5	J38-27959-00-00	SCREW, ADJUSTING	1	
6	9560P-06200-00	NUT, U-FLANGE	1	



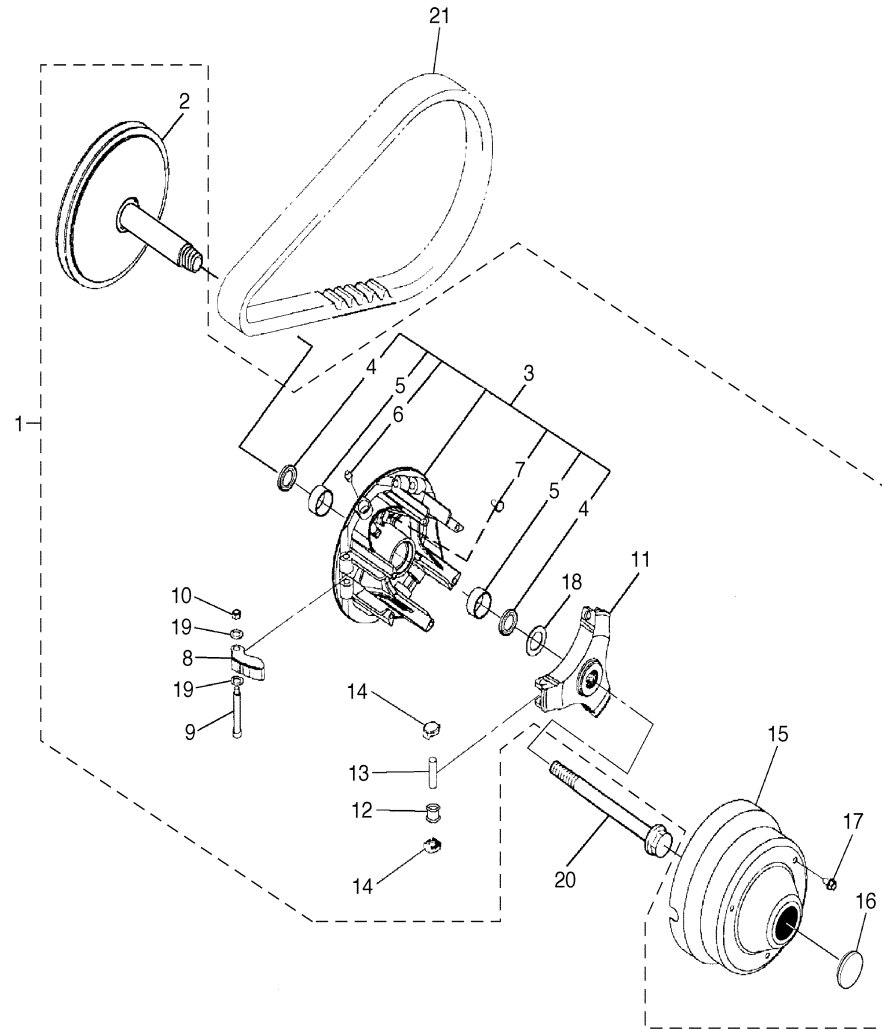
CONTENTS

ACCELERATOR	C1
AIR SHROUD FAN	A8
BODY	C11-12
BODY 2	D1
BODY FITTING	D2
BRAKE	B9-10
BRAKE 2	B11
BRAKE 3	B12
BUMPER	C10
CAMSHAFT VALVE	A7
CARBURETOR	A10
CARRIER JU5-300101~	D5-6
CARRIER ~JU5-300100	D3-4
CRANKCASE	A12
CRANKSHAFT PISTON	A6
CYLINDER HEAD	A5
ELECTRICAL 1 JU5-300101~	D12
ELECTRICAL 1 ~JU5-300100	D11
ELECTRICAL 2	E1-2
ENGINE ASSEMBLY	A4
ENGINE BRACKET	B1
EXHAUST	A11
FRAME	B3
FRONT SUSPENSION WHEEL	B4-5
FUEL TANK	B8
GOVERNOR	C2
HEADLIGHT	D10
INTAKE	A9
PRIMARY SHEAVE	C3
REAR ARM SUSPENSION	B2
REAR AXLE MOUNT WHEEL	C8
SEAT	D7
SECONDARY SHEAVE	C4
SHIFTER CABLES	C9
STARTING MOTOR	D8-9
STEERING	B6-7
TRANSMISSION 1	C5-7
~MODELS IN THIS CATALOG	E3



JT71010-B190

PRIMARY SHEAVE



Ref. No.	Part Number	Description	Qty	Remarks
1	JN6-G6201-04-00	PRIMARY FIXED SHEAVE ASSY	1	
2	JN6-G6210-00-00	. PRIMARY FIXED SHEAVE ...	1	
3	JN6-G6220-00-00	. PRIMARY SLIDING SHEAVE .	1	
4	93101-28831-00	.. OIL, SEAL	2	
5	90384-27823-00	.. BUSH, BIMETAL FORMED ..	2	
6	93700-06810-00	.. NIPPLE, GREASE	1	
7	90338-04840-00	.. PLUG	3	
8	JN6-G6232-01-00	. WEIGHT 1	3	
9	90109-06860-00	. BOLT	3	
10	90185-06834-00	. NUT, SELF-LOCKING	3	
11	JN6-G6251-01-00	. SPIDER	1	
12	JN6-G6258-02-00	. ROLLER	3	
13	93610-358A3-00	. PIN, DOWEL	3	
14	JN6-G6253-00-00	. SLIDER	6	
15	JU0-G6231-00-00	. CAP	1	
16	JU0-G6297-00-00	. COVER, DUST	1	
17	90105-06861-00	. BOLT, FLANGE	3	
18	90201-228K5-00	. WASHER, PLATE	1	
19	JN6-G621F-00-00	. SHIM, THRUST	6	
20	JN6-G6249-00-00	BOLT	1	
21	J55-G6241-00-00	BELT	1	

CONTENTS

ACCELERATOR	C1
AIR SHROUD FAN	A8
BODY	C11-12
BODY 2	D1
BODY FITTING	D2
BRAKE	B9-10
BRAKE 2	B11
BRAKE 3	B12
BUMPER	C10
CAMSHAFT VALVE	A7
CARBURETOR	A10
CARRIER JU5-300101~	D5-6
CARRIER ~JU5-300100	D3-4
CRANKCASE	A12
CRANKSHAFT PISTON	A6
CYLINDER HEAD	A5
ELECTRICAL 1 JU5-300101~	D12
ELECTRICAL 1 ~JU5-300100	D11
ELECTRICAL 2	E1-2
ENGINE ASSEMBLY	A4
ENGINE BRACKET	B1
EXHAUST	A11
FRAME	B3
FRONT SUSPENSION WHEEL	B4-5
FUEL TANK	B8
GOVERNOR	C2
HEADLIGHT	D10
INTAKE	A9
PRIMARY SHEAVE	C3
REAR ARM SUSPENSION	B2
REAR AXLE MOUNT WHEEL	C8
SEAT	D7
SECONDARY SHEAVE	C4
SHIFTER CABLES	C9
STARTING MOTOR	D8-9
STEERING	B6-7
TRANSMISSION 1	C5-7
~MODELS IN THIS CATALOG	E3



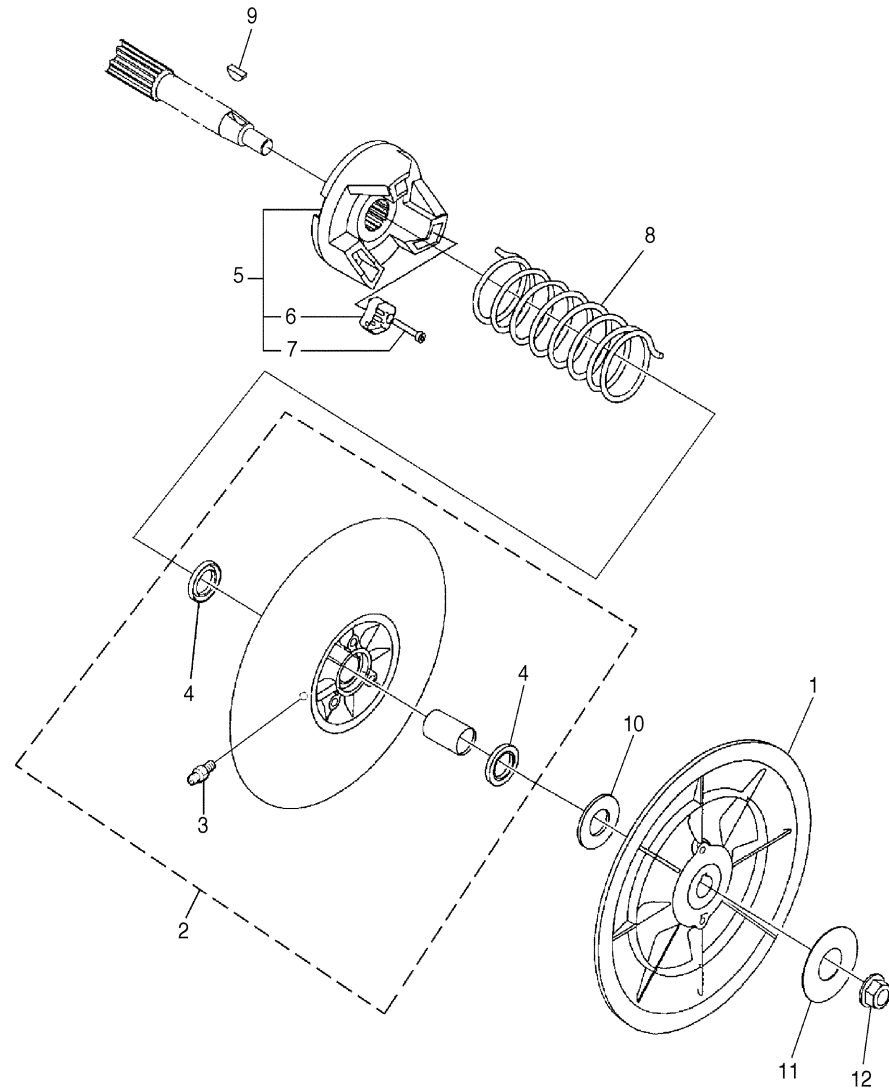
JT71010-B200

SECONDARY SHEAVE

Ref. No.	Part Number	Description	Qty	Remarks
1	JN6-G6260-00-00	SEC FIXED SHEAVE	1	
2	JN6-G6270-01-KT	SECONDARY SLIDING SHEAVE KIT	1	INCLUDES BUSHING
3	93700-06809-00	. NIPPLE, GREASE	1	
4	93109-20069-00	. SEAL, OIL	2	
5	JN6-G6280-00-00	SECONDARY SPRING SEAT COMP.	1	
6	JN6-E7688-00-00	. SHOE, RAMP	3	
7	90110-04834-00	. BOLT, HEXAGON SOCKET ..	3	
8	90508-45849-00	SPRING, TORSION (L=135MM +/- 1.5)	1	
9	90280-05022-00	KEY, WOODRUFF	1	
10	90202-20130-00	WASHER, PLAIN	1	
11	90201-128S5-00	WASHER, PLATE	1	
12	95607-12200-00	NUT, U-FLANGE	1	

CONTENTS

ACCELERATOR	C1
AIR SHROUD FAN	A8
BODY	C11-12
BODY 2	D1
BODY FITTING	D2
BRAKE	B9-10
BRAKE 2	B11
BRAKE 3	B12
BUMPER	C10
CAMSHAFT VALVE	A7
CARBURETOR	A10
CARRIER JU5-300101~	D5-6
CARRIER ~JU5-300100	D3-4
CRANKCASE	A12
CRANKSHAFT PISTON	A6
CYLINDER HEAD	A5
ELECTRICAL 1 JU5-300101~	D12
ELECTRICAL 1 ~JU5-300100	D11
ELECTRICAL 2	E1-2
ENGINE ASSEMBLY	A4
ENGINE BRACKET	B1
EXHAUST	A11
FRAME	B3
FRONT SUSPENSION WHEEL	B4-5
FUEL TANK	B8
GOVERNOR	C2
HEADLIGHT	D10
INTAKE	A9
PRIMARY SHEAVE	C3
REAR ARM SUSPENSION	B2
REAR AXLE MOUNT WHEEL	C8
SEAT	D7
SECONDARY SHEAVE	C4
SHIFTER CABLES	C9
STARTING MOTOR	D8-9
STEERING	B6-7
TRANSMISSION 1	C5-7
~MODELS IN THIS CATALOG	E3



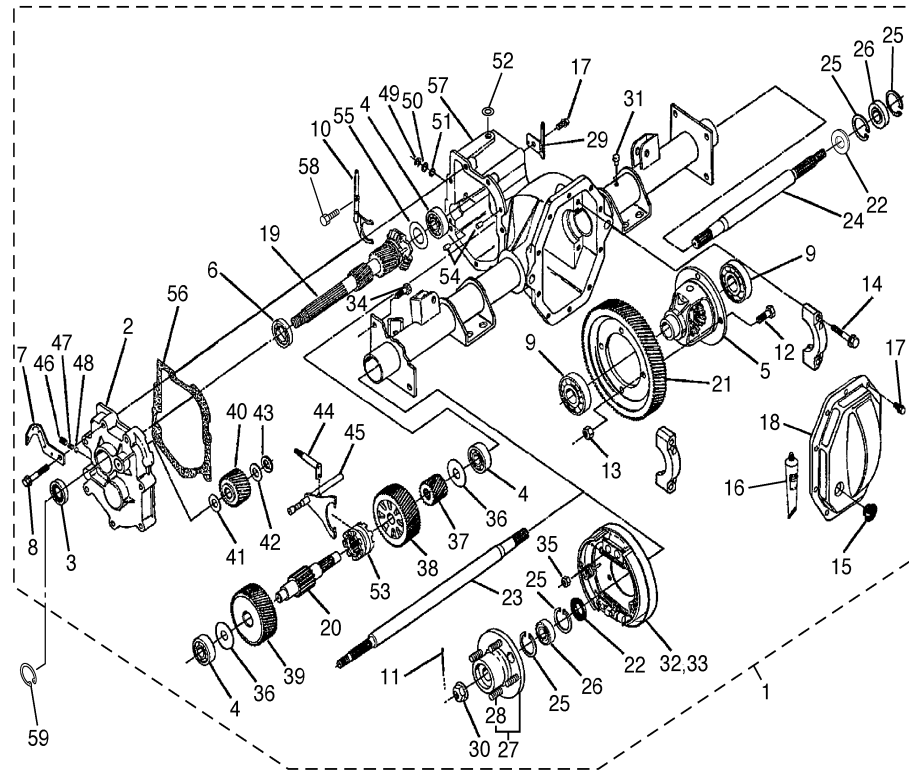
JT71010-B210

TRANSMISSION 1

Ref. No.	Part Number	Description	Qty	Remarks
1	JR6-G6300-02-00	TRANSAXLE ASSEMBLY	1	
2	JN3-G6313-00-00	. COVER, TRANSMISSION	1	
3	93102-25868-00	. SEAL, OIL	1	
4	93306-303Y6-00	. BEARING	3	
5	JN6-G6410-00-00	. DIFFERENTIAL ASSY.	1	
6	93306-005Y4-00	. BEARING	1	
7	JN6-G6555-00-00	. BRACKET 2	1	
8	90105-08859-00	. BOLT, FLANGE	7	
9	93306-007Y0-00	. BEARING	2	
10	JN3-G633E-01-00	. BAR 1	1	
11	90252-36801-00	. PIN, COTTER	2	
12	90101-10854-00	. BOLT, HEX.	4	
13	90170-10840-00	. NUT, HEX.	4	
14	90105-10840-00	. BOLT, FLANGE	4	
15	JN3-G6432-00-00	. STOPPER	1	
16	ACC-11001-05-01	QUICK GASKET	1	NOT INCLUDED WITH TRANSAXLE
17	90101-08856-00	. BOLT, HEX	11	
18	JN3-G6314-00-00	. COVER, TRANSMISSION	1	
19	JR6-G6320-01-00	. SHAFT, INPUT ASSY	1	
20	JN3-G633G-00-00	. SHAFT	1	
21	JN3-G6355-00-00	. GEAR, PRIMARY	1	
22	93101-31836-00	. SEAL, OIL	2	
23	JR3-G6511-00-00	. SHAFT, REAR AXLE 1 (L.H)	1	
24	JR3-G6512-00-00	. SHAFT, REAR AXLE 2 (R.H)	1	
25	93420-52806-00	. CIRCLIP	4	
26	93306-205X2-00	. BEARING	2	
27	JR3-G6514-00-00	. HUB, REAR AXLE	2	
28	90114-10804-00	. . BOLT, SERRATION	4	
29	JN3-G6556-00-00	. BRACKET 3	1	

CONTENTS

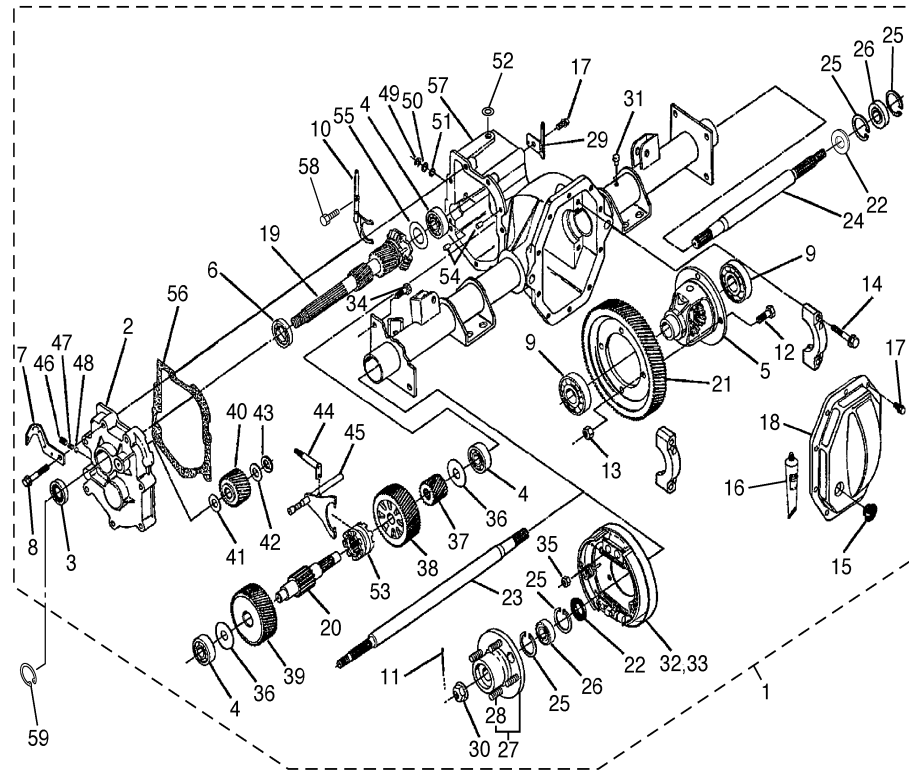
ACCELERATOR	C1
AIR SHROUD FAN	A8
BODY	C11-12
BODY 2	D1
BODY FITTING	D2
BRAKE	B9-10
BRAKE 2	B11
BRAKE 3	B12
BUMPER	C10
CAMSHAFT VALVE	A7
CARBURETOR	A10
CARRIER JU5-300101~	D5-6
CARRIER ~JU5-300100	D3-4
CRANKCASE	A12
CRANKSHAFT PISTON	A6
CYLINDER HEAD	A5
ELECTRICAL 1 JU5-300101~	D12
ELECTRICAL 1 ~JU5-300100	D11
ELECTRICAL 2	E1-2
ENGINE ASSEMBLY	A4
ENGINE BRACKET	B1
EXHAUST	A11
FRAME	B3
FRONT SUSPENSION WHEEL	B4-5
FUEL TANK	B8
GOVERNOR	C2
HEADLIGHT	D10
INTAKE	A9
PRIMARY SHEAVE	C3
REAR ARM SUSPENSION	B2
REAR AXLE MOUNT WHEEL	C8
SEAT	D7
SECONDARY SHEAVE	C4
SHIFTER CABLES	C9
STARTING MOTOR	D8-9
STEERING	B6-7
TRANSMISSION 1	C5-7
~MODELS IN THIS CATALOG	E3



JU51110-C230

CONTINUED ON NEXT FRAME ►

TRANSMISSION 1



Ref. No.	Part Number	Description	Qty	Remarks
30	90185-19842-00	. NUT, SELF-LOCKING	2	
31	JH7-G5619-00-00	. CAP	1	
32	JN6-F7290-03-00	. BACKING PLATE ASSY L.H.	1	SEE BRAKE 2 (L.H)
33	JN6-F7280-03-00	. BACKING PLATE ASSY R.H.	1	SEE BRAKE 3 (R.H)
34	90101-08855-00	. BOLT, HEX.	8	
35	90170-08841-00	. NUT, HEX.	8	
36	90201-178H8-00	. WASHER, PLATE	2	
37	JN3-G6316-00-00	. GEAR, PINION 1	1	
38	JR6-G6326-00-00	. GEAR, WHEEL 1	1	
39	JN3-G6327-00-00	. GEAR, WHEEL 2	1	
40	JN3-G6356-00-00	. GEAR, IDLER	1	
41	90201-208H9-00	. WASHER, PLAIN	1	
42	90201-208J0-00	. WASHER, PLAIN	1	
43	93440-20813-00	. CIRCLIP	1	
44	JN3-G638A-00-00	. BAR, SHIFT 1	1	
45	JN6-G638E-00-00	. BAR, SHIFT 2	1	
46	90113-08803-00	. BOLT, SET	1	
47	90501-10852-00	. SPRING, COMPRESSION	1	
48	93500-06826-00	. BALL	1	
49	93410-12822-00	. CIRCLIP	1	
50	90202-12807-00	. WASHER, PLAIN	1	
51	93104-11829-00	. SEAL, OIL	1	
52	93109-10820-00	. SEAL, OIL	1	
53	JN3-G6153-00-00	. COLLAR, GUIDE	1	
54	93606-10842-00	. PIN, DOWEL	2	
55	JN3-G6344-00-00	. SHIM, 0.76MM (0.030IN)	1	UR
	JN3-G6344-10-00	. SHIM, 0.90MM (0.035IN)	1	UR
	JN3-G6344-20-00	. SHIM, 1.00MM (0.040IN)	1	UR
	JN3-G6344-30-00	. SHIM, 1.14MM (0.045IN)	1	UR
	JN3-G6344-40-00	. SHIM, 1.27MM (0.050IN)	1	UR

CONTENTS

ACCELERATOR	C1
AIR SHROUD FAN	A8
BODY	C11-12
BODY 2	D1
BODY FITTING	D2
BRAKE	B9-10
BRAKE 2	B11
BRAKE 3	B12
BUMPER	C10
CAMSHAFT VALVE	A7
CARBURETOR	A10
CARRIER JU5-300101~	D5-6
CARRIER ~JU5-300100	D3-4
CRANKCASE	A12
CRANKSHAFT PISTON	A6
CYLINDER HEAD	A5
ELECTRICAL 1 JU5-300101~	D12
ELECTRICAL 1 ~JU5-300100	D11
ELECTRICAL 2	E1-2
ENGINE ASSEMBLY	A4
ENGINE BRACKET	B1
EXHAUST	A11
FRAME	B3
FRONT SUSPENSION WHEEL	B4-5
FUEL TANK	B8
GOVERNOR	C2
HEADLIGHT	D10
INTAKE	A9
PRIMARY SHEAVE	C3
REAR ARM SUSPENSION	B2
REAR AXLE MOUNT WHEEL	C8
SEAT	D7
SECONDARY SHEAVE	C4
SHIFTER CABLES	C9
STARTING MOTOR	D8-9
STEERING	B6-7
TRANSMISSION 1	C5-7
~MODELS IN THIS CATALOG	E3

CONTINUED ON NEXT FRAME ►

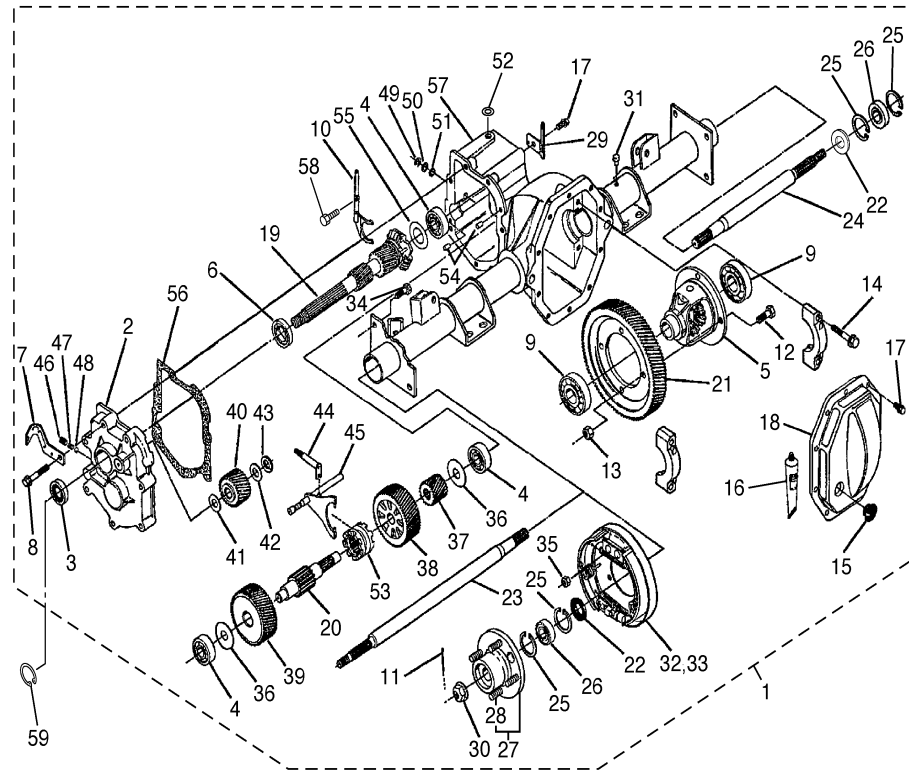


TRANSMISSION 1

Ref. No.	Part Number	Description	Qty	Remarks
55	JN3-G6344-50-00	. SHIM, 1.39MM (0.055IN)	1	UR
	JN3-G6344-60-00	. SHIM, 1.52MM (0.060IN)	1	UR
	JN3-G6344-70-00	. SHIM, 1.65MM (0.065IN)	1	UR
	JN3-G6344-80-00	. SHIM, 0.38MM (0.015IN)	1	UR
	JN3-G6344-90-00	. SHIM, 1.78MM (0.070IN)	1	UR
	JN3-G6344-A0-00	. SHIM, 1.92MM (0.075IN)	1	UR
	JN3-G6344-B0-00	. SHIM, 2.03MM (0.080IN)	1	UR
	JN3-G6344-C0-00	. SHIM, 2.12MM (0.085IN)	1	UR
	JN3-G6344-D0-00	. SHIM, 2.29MM (0.090IN)	1	UR
56	JN3-G6319-00-00	. GASKET	1	
57	JR3-G6290-02-00	. CASE ASSY	1	
58	JN3-G6249-00-00	. BOLT	1	
59	93410-25017-00	CIRCLIP	1	

CONTENTS

ACCELERATOR	C1
AIR SHROUD FAN	A8
BODY	C11-12
BODY 2	D1
BODY FITTING	D2
BRAKE	B9-10
BRAKE 2	B11
BRAKE 3	B12
BUMPER	C10
CAMSHAFT VALVE	A7
CARBURETOR	A10
CARRIER JU5-300101~	D5-6
CARRIER ~JU5-300100	D3-4
CRANKCASE	A12
CRANKSHAFT PISTON	A6
CYLINDER HEAD	A5
ELECTRICAL 1 JU5-300101~	D12
ELECTRICAL 1 ~JU5-300100	D11
ELECTRICAL 2	E1-2
ENGINE ASSEMBLY	A4
ENGINE BRACKET	B1
EXHAUST	A11
FRAME	B3
FRONT SUSPENSION WHEEL	B4-5
FUEL TANK	B8
GOVERNOR	C2
HEADLIGHT	D10
INTAKE	A9
PRIMARY SHEAVE	C3
REAR ARM SUSPENSION	B2
REAR AXLE MOUNT WHEEL	C8
SEAT	D7
SECONDARY SHEAVE	C4
SHIFTER CABLES	C9
STARTING MOTOR	D8-9
STEERING	B6-7
TRANSMISSION 1	C5-7
-MODELS IN THIS CATALOG	E3



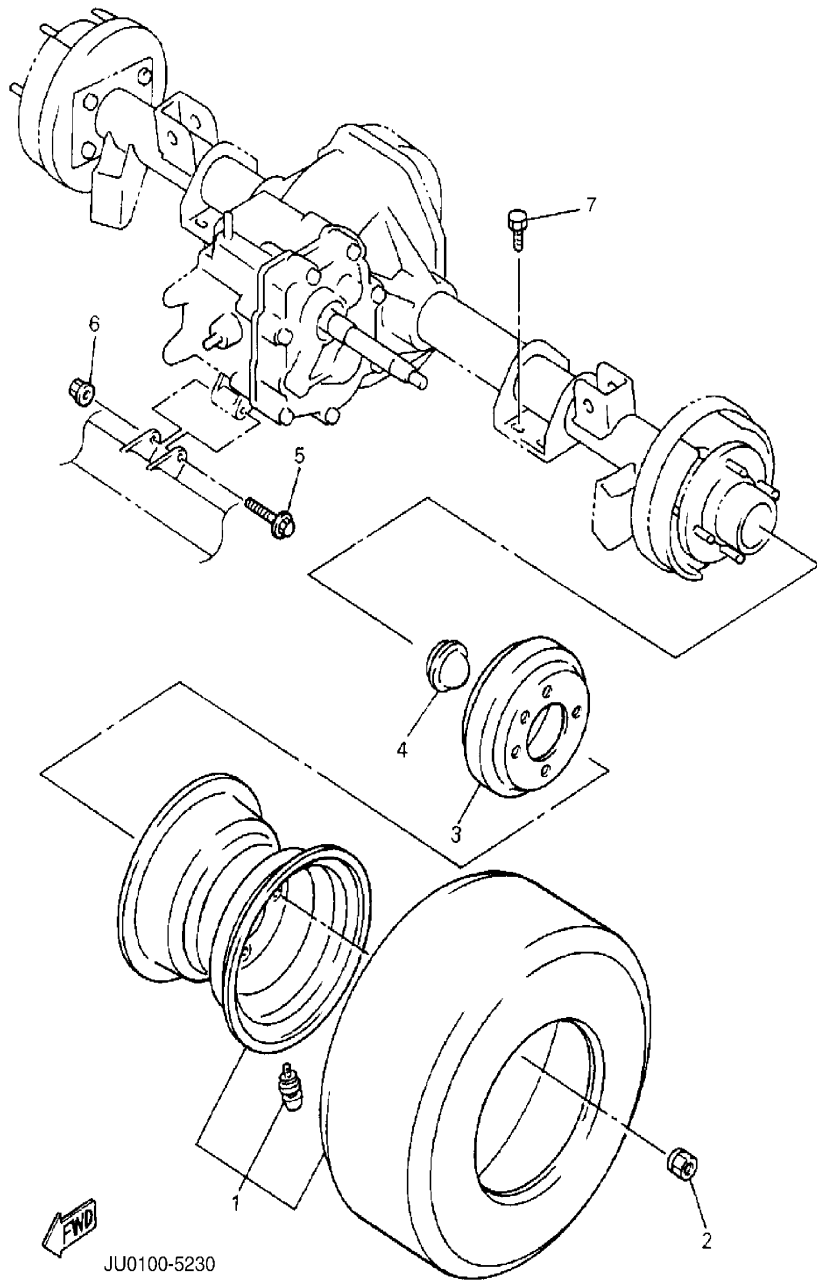
JU51110-C230

REAR AXLE MOUNT WHEEL

Ref. No.	Part Number	Description	Qty	Remarks
1	JR6-F5300-10-00	WHEEL ASSY (18X8.50-8 6PLY)	2	
2	90179-12262-00	NUT	8	
3	J55-G6521-10-00	DRUM	2	
4	JN6-F5118-00-00	COVER, HUB DUST	2	
5	9581P-08075-00	BOLT, FLANGE	1	
6	95707-08500-00	NUT, FLANGE	1	
7	9751P-10620-00	BOLT, HEX WITH WASHER (7-FQA)	8	

CONTENTS

ACCELERATOR	C1
AIR SHROUD FAN	A8
BODY	C11-12
BODY 2	D1
BODY FITTING	D2
BRAKE	B9-10
BRAKE 2	B11
BRAKE 3	B12
BUMPER	C10
CAMSHAFT VALVE	A7
CARBURETOR	A10
CARRIER JU5-300101~	D5-6
CARRIER ~JU5-300100	D3-4
CRANKCASE	A12
CRANKSHAFT PISTON	A6
CYLINDER HEAD	A5
ELECTRICAL 1 JU5-300101~	D12
ELECTRICAL 1 ~JU5-300100	D11
ELECTRICAL 2	E1-2
ENGINE ASSEMBLY	A4
ENGINE BRACKET	B1
EXHAUST	A11
FRAME	B3
FRONT SUSPENSION WHEEL	B4-5
FUEL TANK	B8
GOVERNOR	C2
HEADLIGHT	D10
INTAKE	A9
PRIMARY SHEAVE	C3
REAR ARM SUSPENSION	B2
REAR AXLE MOUNT WHEEL	C8
SEAT	D7
SECONDARY SHEAVE	C4
SHIFTER CABLES	C9
STARTING MOTOR	D8-9
STEERING	B6-7
TRANSMISSION 1	C5-7
~MODELS IN THIS CATALOG	E3

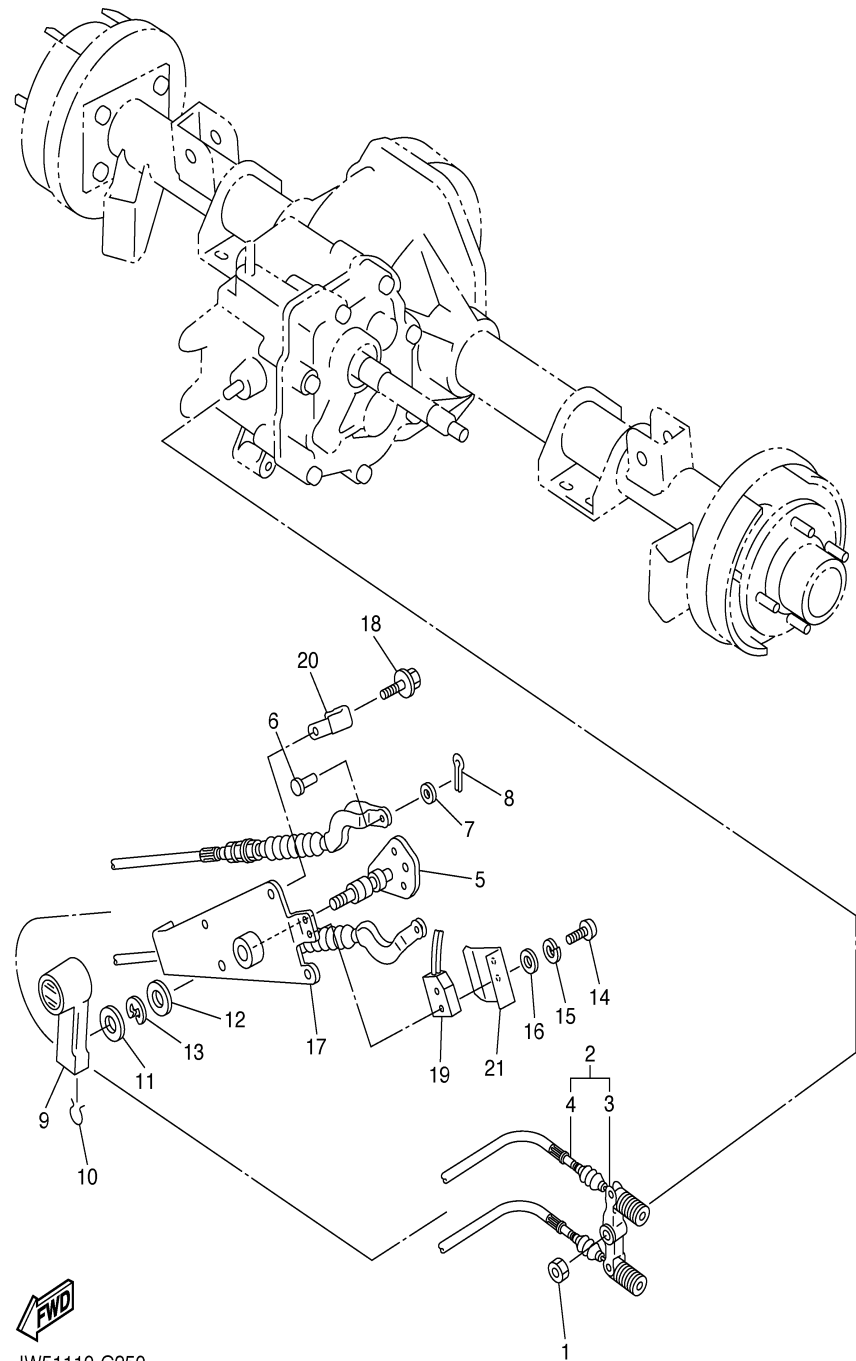


SHIFTER CABLES

Ref. No.	Part Number	Description	Qty	Remarks
1	95607-08100-00	NUT, U	1	
2	JJ3-G8330-01-00	SHIFT CABLE END ASSY	1	
3	J55-G6383-00-00	. LEVER, SHIFT	1	
4	JJ3-G6371-01-00	. WIRE, SHIFT	2	
5	JF2-46382-00-00	LEVER, SHIFT 1	1	
6	91701-06014-00	PIN	2	
7	9290P-06600-00	WASHER	2	
8	91401-20012-00	PIN, COTTER	2	
9	JN3-G6381-00-00	KNOB, SHIFT	1	
10	JN3-G6376-00-00	SPRING SET	1	
11	90201-208S8-00	WASHER, PLATE	1	
12	90201-198S7-00	WASHER, PLATE	1	
13	99009-19400-00	CIRCLIP (S)	1	
14	98507-04025-00	SCREW, PAN HEAD	2	
15	92907-04100-00	WASHER, SPRING	2	
16	92907-04600-00	WASHER	2	
17	JN3-G6372-00-00	BRACKET, SHIFT WIRE	1	
18	90105-06876-00	BOLT, FLANGE	4	
19	JN3-82617-01-00	SWITCH	1	
20	90465-06038-00	CLAMP	1	
21	JJ3-G6394-00-00	JOINT	1	

CONTENTS

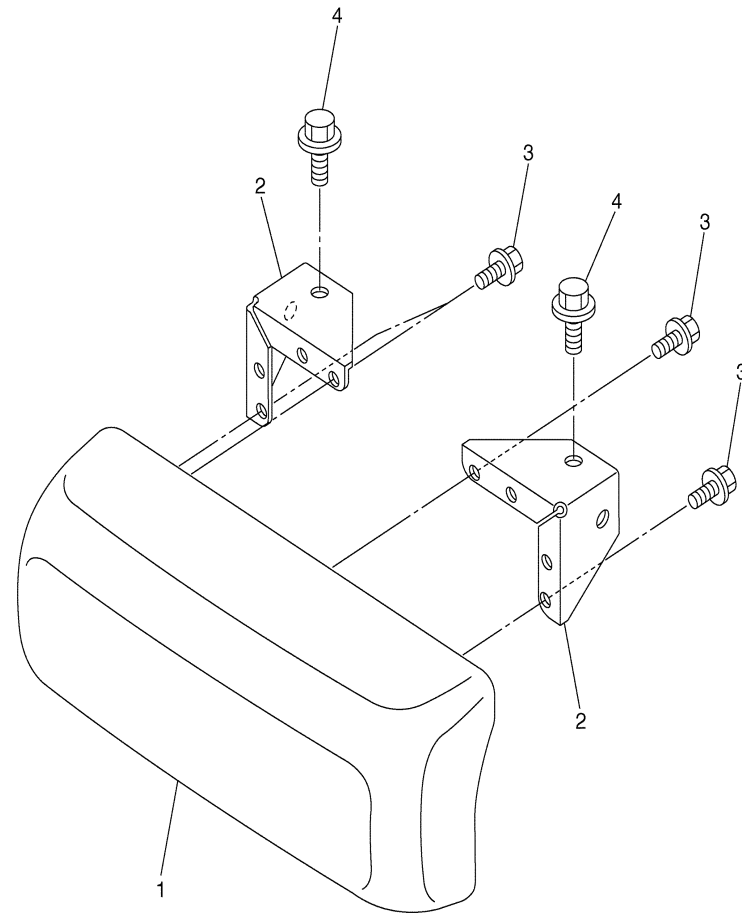
ACCELERATOR	C1
AIR SHROUD FAN	A8
BODY	C11-12
BODY 2	D1
BODY FITTING	D2
BRAKE	B9-10
BRAKE 2	B11
BRAKE 3	B12
BUMPER	C10
CAMSHAFT VALVE	A7
CARBURETOR	A10
CARRIER JU5-300101~	D5-6
CARRIER ~JU5-300100	D3-4
CRANKCASE	A12
CRANKSHAFT PISTON	A6
CYLINDER HEAD	A5
ELECTRICAL 1 JU5-300101~	D12
ELECTRICAL 1 ~JU5-300100	D11
ELECTRICAL 2	E1-2
ENGINE ASSEMBLY	A4
ENGINE BRACKET	B1
EXHAUST	A11
FRAME	B3
FRONT SUSPENSION WHEEL	B4-5
FUEL TANK	B8
GOVERNOR	C2
HEADLIGHT	D10
INTAKE	A9
PRIMARY SHEAVE	C3
REAR ARM SUSPENSION	B2
REAR AXLE MOUNT WHEEL	C8
SEAT	D7
SECONDARY SHEAVE	C4
SHIFTER CABLES	C9
STARTING MOTOR	D8-9
STEERING	B6-7
TRANSMISSION 1	C5-7
~MODELS IN THIS CATALOG	E3



JW51110-C250

BUMPER

Ref. No.	Part Number	Description	Qty	Remarks
1	JN3-K7510-02-00	FRONT BUMPER COMP.	1	
2	JN8-K8164-00-00	STAY, FRONT BUMPER (L.H) .	2	
3	90105-06876-00	BOLT, FLANGE	4	
4	9581P-08016-00	BOLT, FLANGE	2	

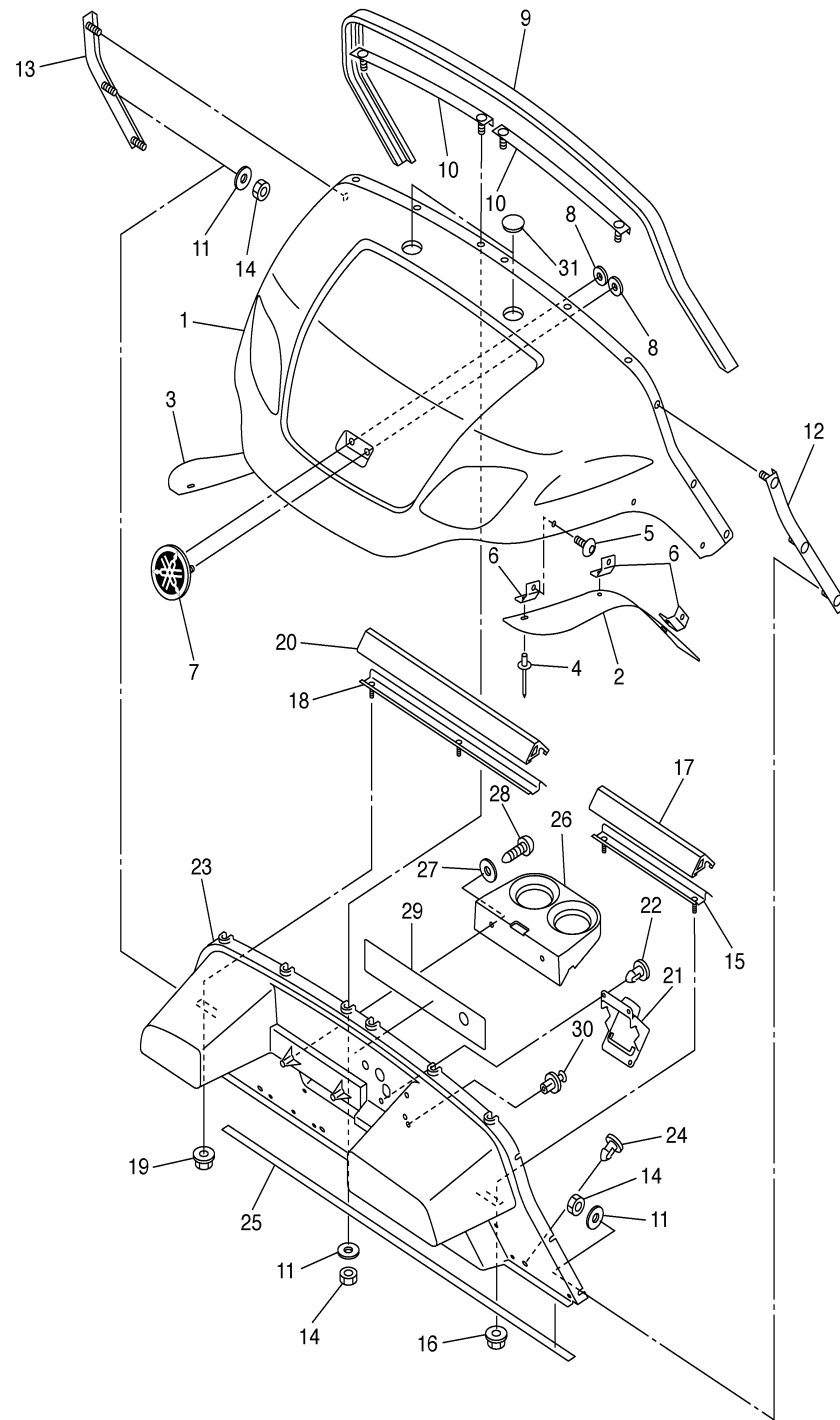


CONTENTS

ACCELERATOR	C1
AIR SHROUD FAN	A8
BODY	C11-12
BODY 2	D1
BODY FITTING	D2
BRAKE	B9-10
BRAKE 2	B11
BRAKE 3	B12
BUMPER	C10
CAMSHAFT VALVE	A7
CARBURETOR	A10
CARRIER JU5-300101~	D5-6
CARRIER ~JU5-300100	D3-4
CRANKCASE	A12
CRANKSHAFT PISTON	A6
CYLINDER HEAD	A5
ELECTRICAL 1 JU5-300101~	D12
ELECTRICAL 1 ~JU5-300100	D11
ELECTRICAL 2	E1-2
ENGINE ASSEMBLY	A4
ENGINE BRACKET	B1
EXHAUST	A11
FRAME	B3
FRONT SUSPENSION WHEEL	B4-5
FUEL TANK	B8
GOVERNOR	C2
HEADLIGHT	D10
INTAKE	A9
PRIMARY SHEAVE	C3
REAR ARM SUSPENSION	B2
REAR AXLE MOUNT WHEEL	C8
SEAT	D7
SECONDARY SHEAVE	C4
SHIFTER CABLES	C9
STARTING MOTOR	D8-9
STEERING	B6-7
TRANSMISSION 1	C5-7
~MODELS IN THIS CATALOG	E3



JU51110-C260



NOTE A: WHEN REPLACING "PANEL FRONT JU7-K8114-00-00", YOU SHOULD ALSO REPLACE "LABEL WARNING 1 JU5-K7761-00-00".

BODY

Ref. No.	Part Number	Description	Qty	Remarks
1	JU6-K811A-00-00	COWL, FRONT	1	
2	JR6-F1551-00-00	FENDER, OVER	1	
3	JR6-F1555-00-00	FENDER, OVER 2	1	
4	90267-48831-00	RIVET, BLIND	6	
5	90110-06836-00	BOLT, HEXAGON SOCKET HEAD	6	
6	JR6-F1546-00-00	STAY, FENDER 3	6	
7	JU0-F4161-00-00	EMBLEM 1	1	
8	JU0-K7573-00-00	NUT, SPECIAL	2	
9	JF2-K811V-00-00	PROTECTOR 1	1	
10	JU0-K8261-00-00	PLATE, BODY PROTECT 1 ...	2	
11	90201-06829-00	WASHER, PLATE	10	
12	JF2-K8262-01-00	PLATE, BODY PROTECT 2 ...	1	
13	JF2-K8263-01-00	PLATE, BODY PROTECT 3 ...	1	
14	90185-06836-00	NUT, SELF-LOCKING	10	
15	JF2-K8264-00-00	PLATE, BODY PROTECT 4 ...	1	
16	9560P-06200-00	NUT, U-FLANGE	2	
17	JF2-K811W-00-00	PROTECTOR 2	1	
18	JF2-K8265-00-00	PLATE, BODY PROTECT 5 ...	1	
19	9560P-06200-00	NUT, U-FLANGE	2	
20	JF2-K811X-00-00	PROTECTOR 3	1	
21	JF2-78273-01-00	COVER, HOLE	1	
22	90269-11042-00	RIVET	3	
23	JU7-K8114-00-00	PANEL, FRONT	1	SEE NOTE A
24	90269-08066-00	RIVET	3	
25	JN3-K815G-00-00	SEAL, FRONT STORAGE	1	
26	JF2-K835E-00-00	HOLDER, BEVERAGE	1	
27	90201-068R6-00	WASHER, PLATE	2	
28	9770P-60130-00	SCREW, TAPPING	2	
29	JU5-K7761-00-00	LABEL, WARNING 1	1	SEE NOTE A

CONTENTS

ACCELERATOR	C1
AIR SHROUD FAN	A8
BODY	C11-12
BODY 2	D1
BODY FITTING	D2
BRAKE	B9-10
BRAKE 2	B11
BRAKE 3	B12
BUMPER	C10
CAMSHAFT VALVE	A7
CARBURETOR	A10
CARRIER JU5-300101~	D5-6
CARRIER ~JU5-300100	D3-4
CRANKCASE	A12
CRANKSHAFT PISTON	A6
CYLINDER HEAD	A5
ELECTRICAL 1 JU5-300101~	D12
ELECTRICAL 1 ~JU5-300100	D11
ELECTRICAL 2	E1-2
ENGINE ASSEMBLY	A4
ENGINE BRACKET	B1
EXHAUST	A11
FRAME	B3
FRONT SUSPENSION WHEEL	B4-5
FUEL TANK	B8
GOVERNOR	C2
HEADLIGHT	D10
INTAKE	A9
PRIMARY SHEAVE	C3
REAR ARM SUSPENSION	B2
REAR AXLE MOUNT WHEEL	C8
SEAT	D7
SECONDARY SHEAVE	C4
SHIFTER CABLES	C9
STARTING MOTOR	D8-9
STEERING	B6-7
TRANSMISSION 1	C5-7
~MODELS IN THIS CATALOG	E3

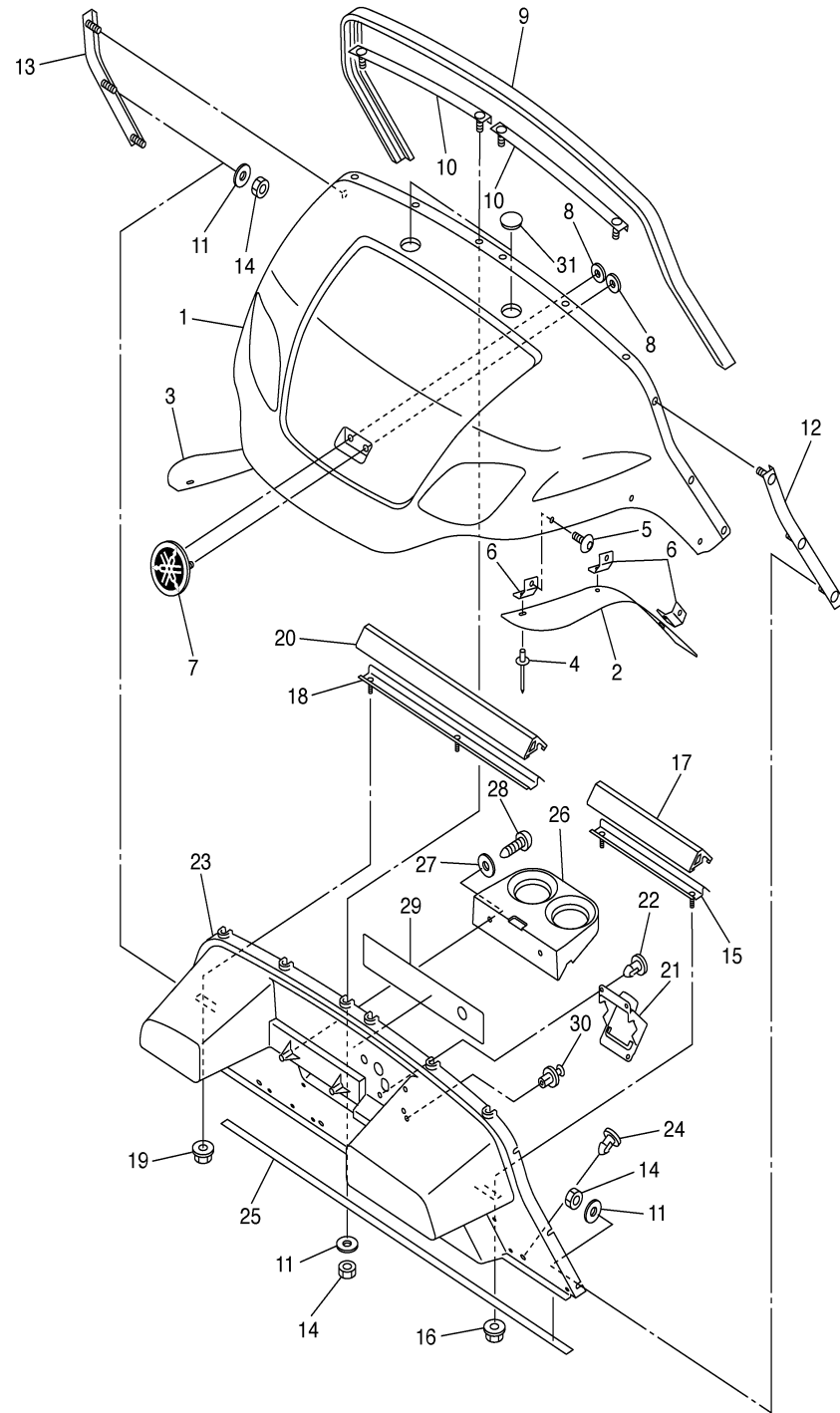
CONTINUED ON NEXT FRAME ►



JU51110-C270

G23AZ_AC

BODY



Ref. No.	Part Number	Description	Qty	Remarks
30	90269-08069-00	RIVET	2	
31	JN3-K818E-00-00	CAP, PROTECTOR	2	

CONTENTS

ACCELERATOR	C1
AIR SHROUD FAN	A8
BODY	C11-12
BODY 2	D1
BODY FITTING	D2
BRAKE	B9-10
BRAKE 2	B11
BRAKE 3	B12
BUMPER	C10
CAMSHAFT VALVE	A7
CARBURETOR	A10
CARRIER JU5-300101~	D5-6
CARRIER ~JU5-300100	D3-4
CRANKCASE	A12
CRANKSHAFT PISTON	A6
CYLINDER HEAD	A5
ELECTRICAL 1 JU5-300101~	D12
ELECTRICAL 1 ~JU5-300100	D11
ELECTRICAL 2	E1-2
ENGINE ASSEMBLY	A4
ENGINE BRACKET	B1
EXHAUST	A11
FRAME	B3
FRONT SUSPENSION WHEEL	B4-5
FUEL TANK	B8
GOVERNOR	C2
HEADLIGHT	D10
INTAKE	A9
PRIMARY SHEAVE	C3
REAR ARM SUSPENSION	B2
REAR AXLE MOUNT WHEEL	C8
SEAT	D7
SECONDARY SHEAVE	C4
SHIFTER CABLES	C9
STARTING MOTOR	D8-9
STEERING	B6-7
TRANSMISSION 1	C5-7
~MODELS IN THIS CATALOG	E3

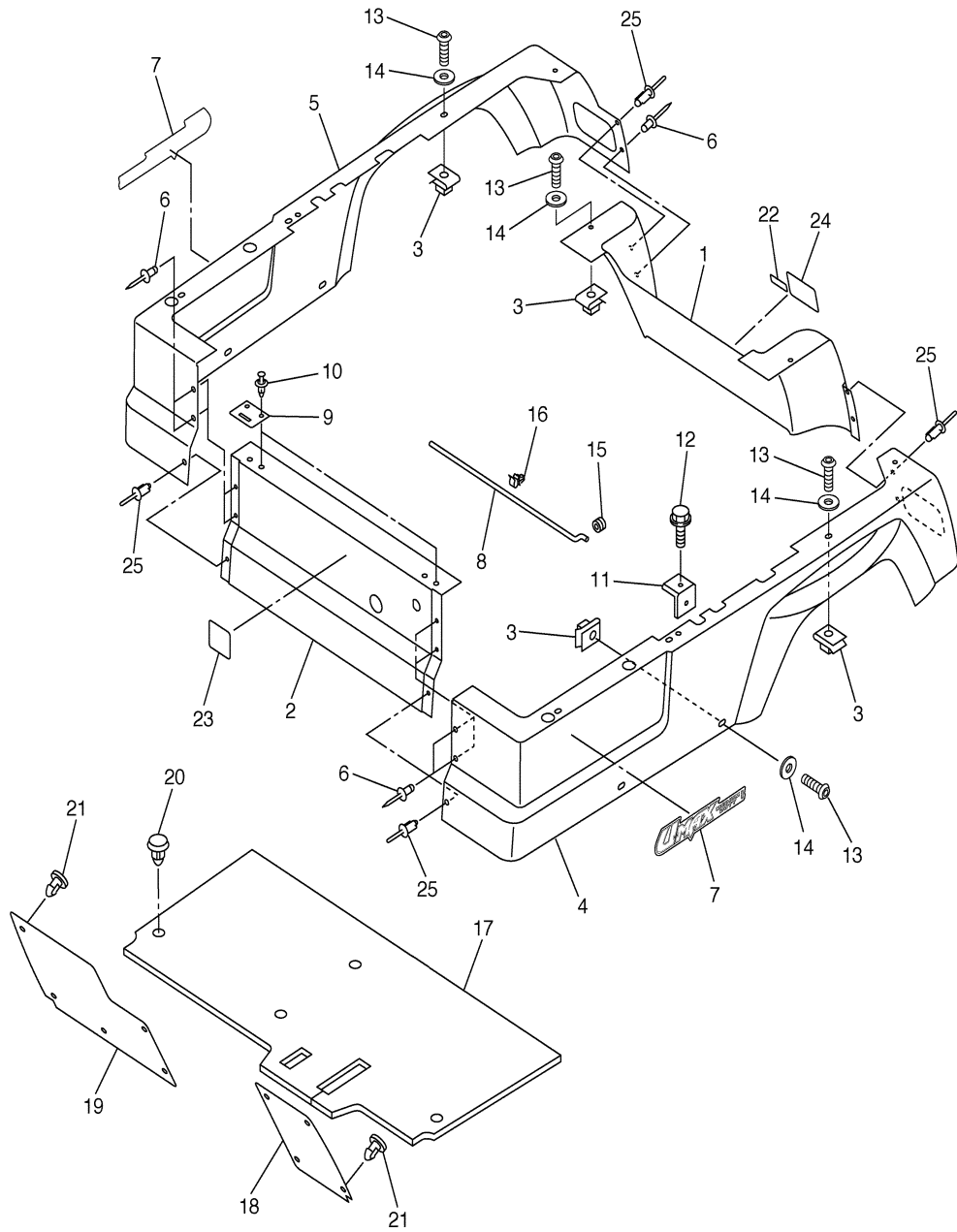
NOTE A: WHEN REPLACING "PANEL FRONT JU7-K8114-00-00", YOU SHOULD ALSO REPLACE "LABEL WARNING 1 JU5-K7761-00-00".



JU51110-C270

G23AZ_AC

BODY 2



Ref. No.	Part Number	Description	Qty	Remarks
1	JU9-K8142-00-00	PANEL, REAR BODY	1	SEE NOTE A
2	JU9-K8141-00-00	PANEL, INTERMEDIATE BODY	1	SEE NOTE B
3	90183-06811-00	NUT, SPRING	14	
4	JU9-K8111-00-00	PANEL, BODY SHELL	1	
5	JU9-K8112-00-00	PANEL, BODY SHELL	1	
6	90267-36853-00	RIVET, BLIND	6	
7	JU5-F1781-00-00	EMBLEM 1	2	
8	JJ3-K8226-00-00	ROD, SEAT STOPPER	1	
9	JJ3-K8427-01-00	HINGE, SEAT 2	2	
10	90267-64834-00	RIVET, BLIND	4	
11	JJ3-K814H-00-00	HOOK, BODY LOCK	2	
12	90119-08800-00	BOLT, HEX. WITH WASHER ..	2	
13	90110-06836-00	BOLT, HEXAGON SOCKET HEAD	14	
14	90201-068R6-00	WASHER, PLATE	14	
15	90480-13018-00	GROMMET	1	
16	90464-10814-00	CLAMP	1	
17	JN6-K8233-01-00	MAT, MAIN FLOOR 3	1	
18	JN6-K8231-01-00	MAT, MAIN FLOOR 1	1	
19	JN6-K8232-01-00	MAT, MAIN FLOOR 2	1	
20	90269-08813-00	RIVET	4	
21	90267-63047-00	RIVET, BLIND	9	
22	JJ3-K7765-00-00	LABEL, WARNING 5	1	SEE NOTE A
23	JN3-K7741-00-00	INDICATOR 1	1	SEE NOTE B
24	JU5-K7768-00-00	LABEL, WARNING	1	SEE NOTE A
25	90267-62841-00	RIVET, BLIND	4	

CONTENTS

ACCELERATOR	C1
AIR SHROUD FAN	A8
BODY	C11-12
BODY 2	D1
BODY FITTING	D2
BRAKE	B9-10
BRAKE 2	B11
BRAKE 3	B12
BUMPER	C10
CAMSHAFT VALVE	A7
CARBURETOR	A10
CARRIER JU5-300101~	D5-6
CARRIER ~JU5-300100	D3-4
CRANKCASE	A12
CRANKSHAFT PISTON	A6
CYLINDER HEAD	A5
ELECTRICAL 1 JU5-300101~	D12
ELECTRICAL 1 ~JU5-300100	D11
ELECTRICAL 2	E1-2
ENGINE ASSEMBLY	A4
ENGINE BRACKET	B1
EXHAUST	A11
FRAME	B3
FRONT SUSPENSION WHEEL	B4-5
FUEL TANK	B8
GOVERNOR	C2
HEADLIGHT	D10
INTAKE	A9
PRIMARY SHEAVE	C3
REAR ARM SUSPENSION	B2
REAR AXLE MOUNT WHEEL	C8
SEAT	D7
SECONDARY SHEAVE	C4
SHIFTER CABLES	C9
STARTING MOTOR	D8-9
STEERING	B6-7
TRANSMISSION 1	C5-7
~MODELS IN THIS CATALOG	E3

NOTE A: WHEN REPLACING "PANEL REAR BODY JU9-K8142-00-00". YOU MUST ALSO REPLACE "LABEL WARNING 5 JJ3-K7765-00-00", AND "LABEL WARNING JU5-K7768-00-00".

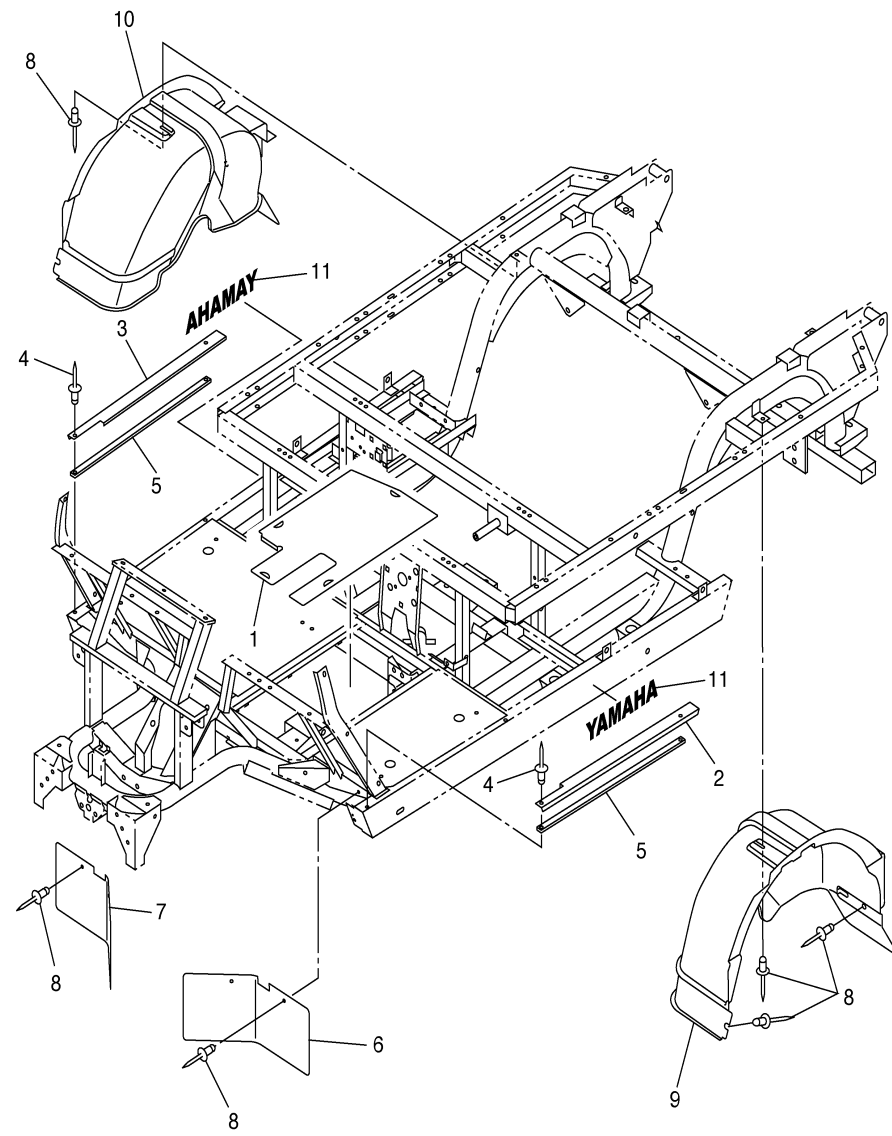
NOTE B: WHEN REPLACING "PANEL INTERMEDIATE BODY JU9-K8141-00-00", YOU MUST ALSO REPLACE "INDICATOR 1 JN3-K7741-00-00".



JU51110-C280

G23AZ_AC

BODY FITTING



Ref. No.	Part Number	Description	Qty	Remarks
1	JN6-K8271-00-00	SERVICE LID, PEDAL	1	
2	JF2-K8215-10-00	PLATE, SIDE TRIM	1	
3	JF2-K821F-10-00	PLATE, SIDE TRIM	1	
4	90267-48154-00	RIVET, BLIND	4	
5	JJ3-K8124-00-00	REINFORCEMENT 4	2	
6	JF2-K8187-00-00	FLAP, FRONT FENDER LEFT	1	
7	JF2-K8189-00-00	FLAP, FRONT FENDER RIGHT	1	
8	90267-48831-00	RIVET, BLIND	10	
9	JJ3-K8191-00-00	PANEL, REAR FENDER 1	1	
10	JJ3-K8192-00-00	PANEL, REAR FENDER 2	1	
11	JW5-F153A-00-00	EMBLEM, YAMAHA	2	

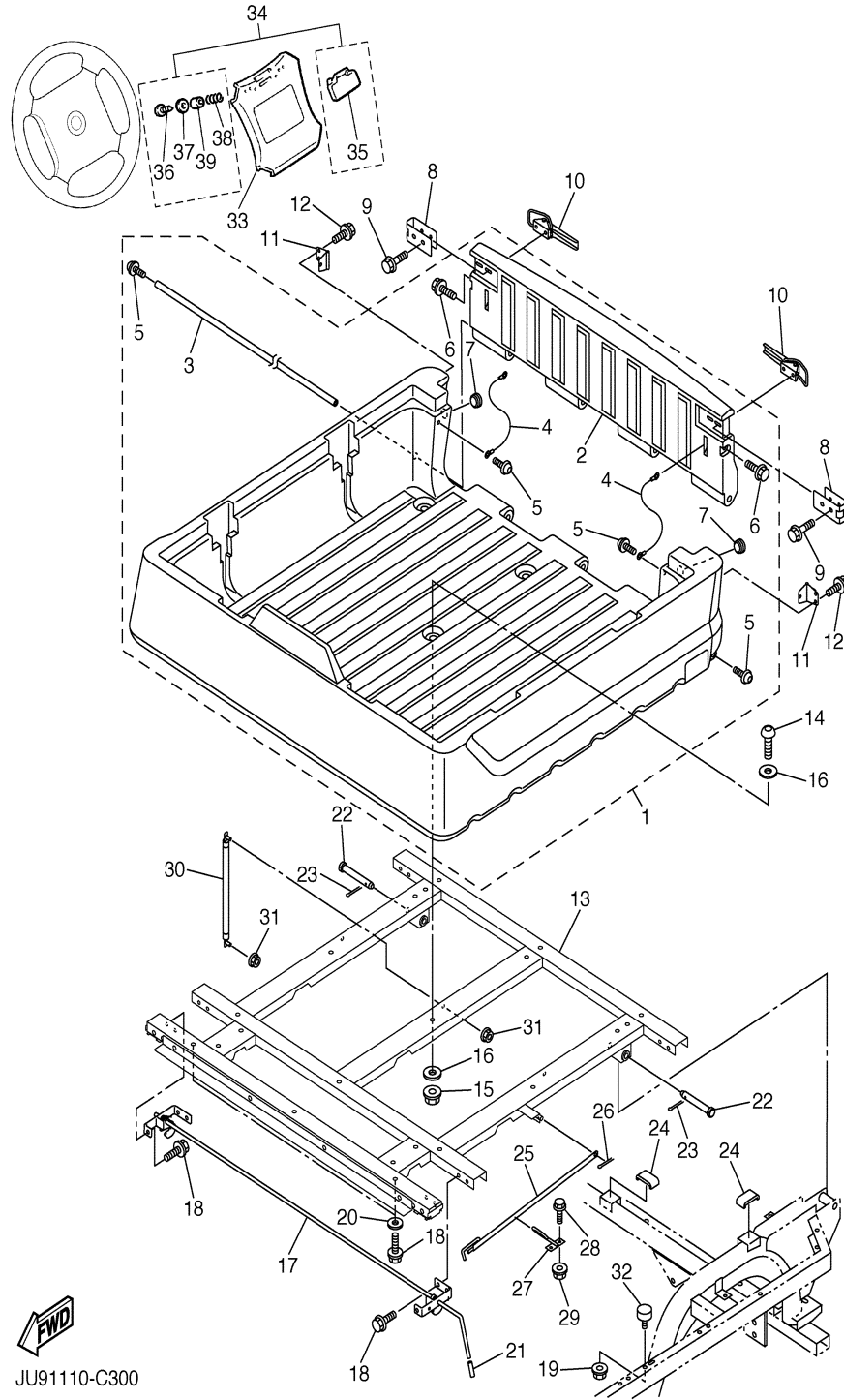
CONTENTS

ACCELERATOR	C1
AIR SHROUD FAN	A8
BODY	C11-12
BODY 2	D1
BODY FITTING	D2
BRAKE	B9-10
BRAKE 2	B11
BRAKE 3	B12
BUMPER	C10
CAMSHAFT VALVE	A7
CARBURETOR	A10
CARRIER JU5-300101~	D5-6
CARRIER ~JU5-300100	D3-4
CRANKCASE	A12
CRANKSHAFT PISTON	A6
CYLINDER HEAD	A5
ELECTRICAL 1 JU5-300101~	D12
ELECTRICAL 1 ~JU5-300100	D11
ELECTRICAL 2	E1-2
ENGINE ASSEMBLY	A4
ENGINE BRACKET	B1
EXHAUST	A11
FRAME	B3
FRONT SUSPENSION WHEEL	B4-5
FUEL TANK	B8
GOVERNOR	C2
HEADLIGHT	D10
INTAKE	A9
PRIMARY SHEAVE	C3
REAR ARM SUSPENSION	B2
REAR AXLE MOUNT WHEEL	C8
SEAT	D7
SECONDARY SHEAVE	C4
SHIFTER CABLES	C9
STARTING MOTOR	D8-9
STEERING	B6-7
TRANSMISSION 1	C5-7
~MODELS IN THIS CATALOG	E3



JW51110-C290

CARRIER ~JU5-300100



Ref. No.	Part Number	Description	Qty	Remarks
1	JU5-K810M-00-00	REAR STORAGE BOX COMP. . .	1	
2	JU9-K819K-00-00	. SHELL, RR. STORAGE LID . .	1	
3	JU9-K8564-00-00	. PIN, HINGE	1	
4	JU9-K7195-00-00	. HOLDER, CABLE	2	
5	JU9-K6179-00-00	. BOLT, SPECIAL 1	4	
6	JU9-K6189-00-00	. BOLT, SPECIAL 2	2	
7	JU9-K7739-10-00	. DAMPER, LID	2	
8	JU9-K7171-00-00	BODY, LATCH 1	2	
9	JU9-K8384-00-00	BOLT	4	
10	5UG-F389E-00-00	LATCH	2	
11	JU9-K7172-00-00	BODY, LATCH 2	2	
12	90119-06830-00	BOLT, HEX. W/WASHER	6	
13	JU9-K818N-00-00	BED, BOX	1	
14	90111-10800-00	BOLT, BUTTON HEAD	7	
15	9560P-10200-00	NUT, U-FLANGE	7	
16	90201-10830-00	WASHER, PLATE	12	
17	JU9-K8380-01-00	LOCK ASSY	1	
18	9582P-08020-00	BOLT, FLANGE	8	
19	9560P-08200-00	NUT, SELF-LOCKING	2	
20	90201-088P7-00	WASHER, PLATE	2	
21	JJ3-K818M-00-00	CAP, PROTECTOR END 4	1	
22	90240-13801-00	PIN, CLEVIS	2	
23	91401-30025-00	PIN, SPLIT	2	
24	JJ3-K815H-01-00	DAMPER, LOCK	3	
25	JU5-K8158-00-00	ROD, INSPECTION LID	1	
26	91401-20020-00	PIN, COTTER	1	
27	JJ3-K8369-00-00	PIN, LEVER	1	
28	90119-06830-00	BOLT, HEX. W/WASHER	2	
29	9560P-06200-00	NUT, U-FLANGE	2	
30	JJ3-K7588-00-00	DAMPER 1	1	

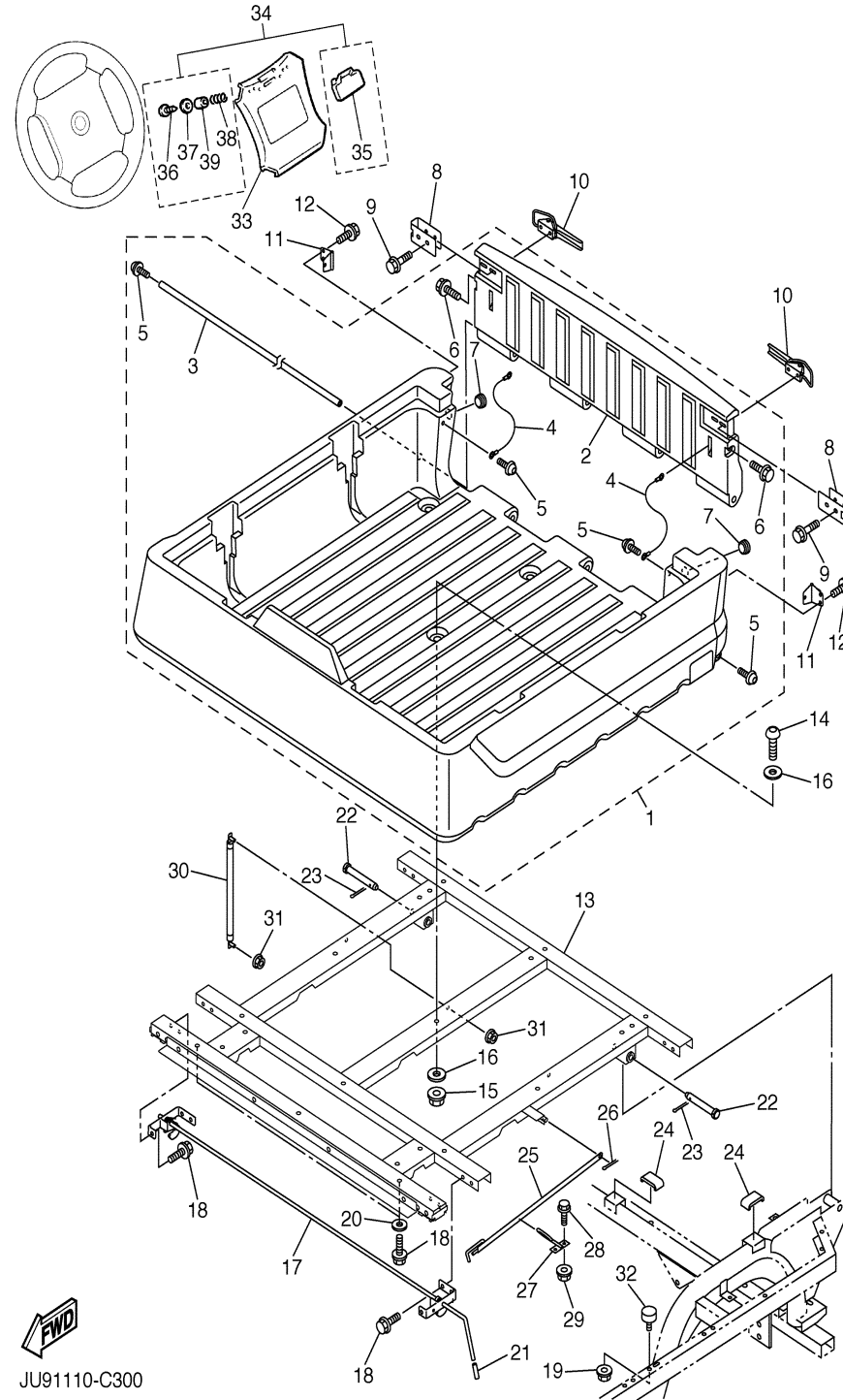
CONTENTS

ACCELERATOR	C1
AIR SHROUD FAN	A8
BODY	C11-12
BODY 2	D1
BODY FITTING	D2
BRAKE	B9-10
BRAKE 2	B11
BRAKE 3	B12
BUMPER	C10
CAMSHAFT VALVE	A7
CARBURETOR	A10
CARRIER JU5-300101~	D5-6
CARRIER ~JU5-300100	D3-4
CRANKCASE	A12
CRANKSHAFT PISTON	A6
CYLINDER HEAD	A5
ELECTRICAL 1 JU5-300101~	D12
ELECTRICAL 1 ~JU5-300100	D11
ELECTRICAL 2	E1-2
ENGINE ASSEMBLY	A4
ENGINE BRACKET	B1
EXHAUST	A11
FRAME	B3
FRONT SUSPENSION WHEEL	B4-5
FUEL TANK	B8
GOVERNOR	C2
HEADLIGHT	D10
INTAKE	A9
PRIMARY SHEAVE	C3
REAR ARM SUSPENSION	B2
REAR AXLE MOUNT WHEEL	C8
SEAT	D7
SECONDARY SHEAVE	C4
SHIFTER CABLES	C9
STARTING MOTOR	D8-9
STEERING	B6-7
TRANSMISSION 1	C5-7
~MODELS IN THIS CATALOG	E3

CONTINUED ON NEXT FRAME ►

FWD
JU91110-C300

CARRIER ~JU5-300100



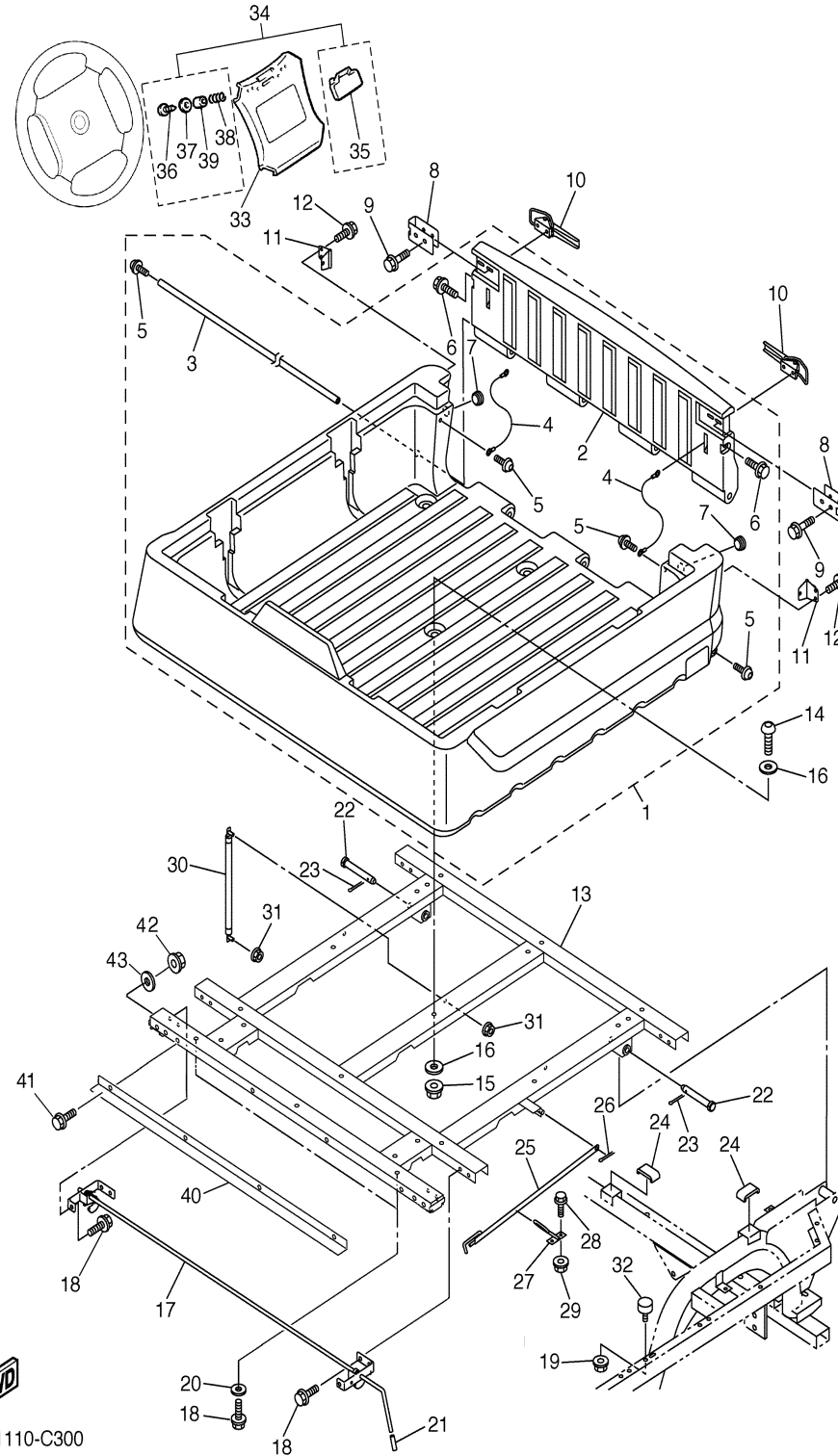
JU91110-C300

Ref. No.	Part Number	Description	Qty	Remarks
31	9560P-08200-00	NUT, SELF-LOCKING	2	
32	JU5-K8167-00-00	BUMPER, RUBBER 1	2	
33	JN3-K8357-00-00	HOLDER 1	1	
34	JN6-W001D-00-00	SCORE CARD HOLDER KIT ..	1	
35	JN6-K8358-01-00	. HOLDER 2	1	
36	97707-40525-00	. SCREW, TAPPING	2	
37	90201-048R5-00	. WASHER, PLATE	2	
38	90502-10013-00	. SPRING, CONICAL	2	
39	90387-046N7-00	. COLLAR	2	

CONTENTS

ACCELERATOR	C1
AIR SHROUD FAN	A8
BODY	C11-12
BODY 2	D1
BODY FITTING	D2
BRAKE	B9-10
BRAKE 2	B11
BRAKE 3	B12
BUMPER	C10
CAMSHAFT VALVE	A7
CARBURETOR	A10
CARRIER JU5-300101~	D5-6
CARRIER ~JU5-300100	D3-4
CRANKCASE	A12
CRANKSHAFT PISTON	A6
CYLINDER HEAD	A5
ELECTRICAL 1 JU5-300101~	D12
ELECTRICAL 1 ~JU5-300100	D11
ELECTRICAL 2	E1-2
ENGINE ASSEMBLY	A4
ENGINE BRACKET	B1
EXHAUST	A11
FRAME	B3
FRONT SUSPENSION WHEEL	B4-5
FUEL TANK	B8
GOVERNOR	C2
HEADLIGHT	D10
INTAKE	A9
PRIMARY SHEAVE	C3
REAR ARM SUSPENSION	B2
REAR AXLE MOUNT WHEEL	C8
SEAT	D7
SECONDARY SHEAVE	C4
SHIFTER CABLES	C9
STARTING MOTOR	D8-9
STEERING	B6-7
TRANSMISSION 1	C5-7
~MODELS IN THIS CATALOG	E3

CARRIER JU5-300101~



JU91110-C300

G23AZ_AC

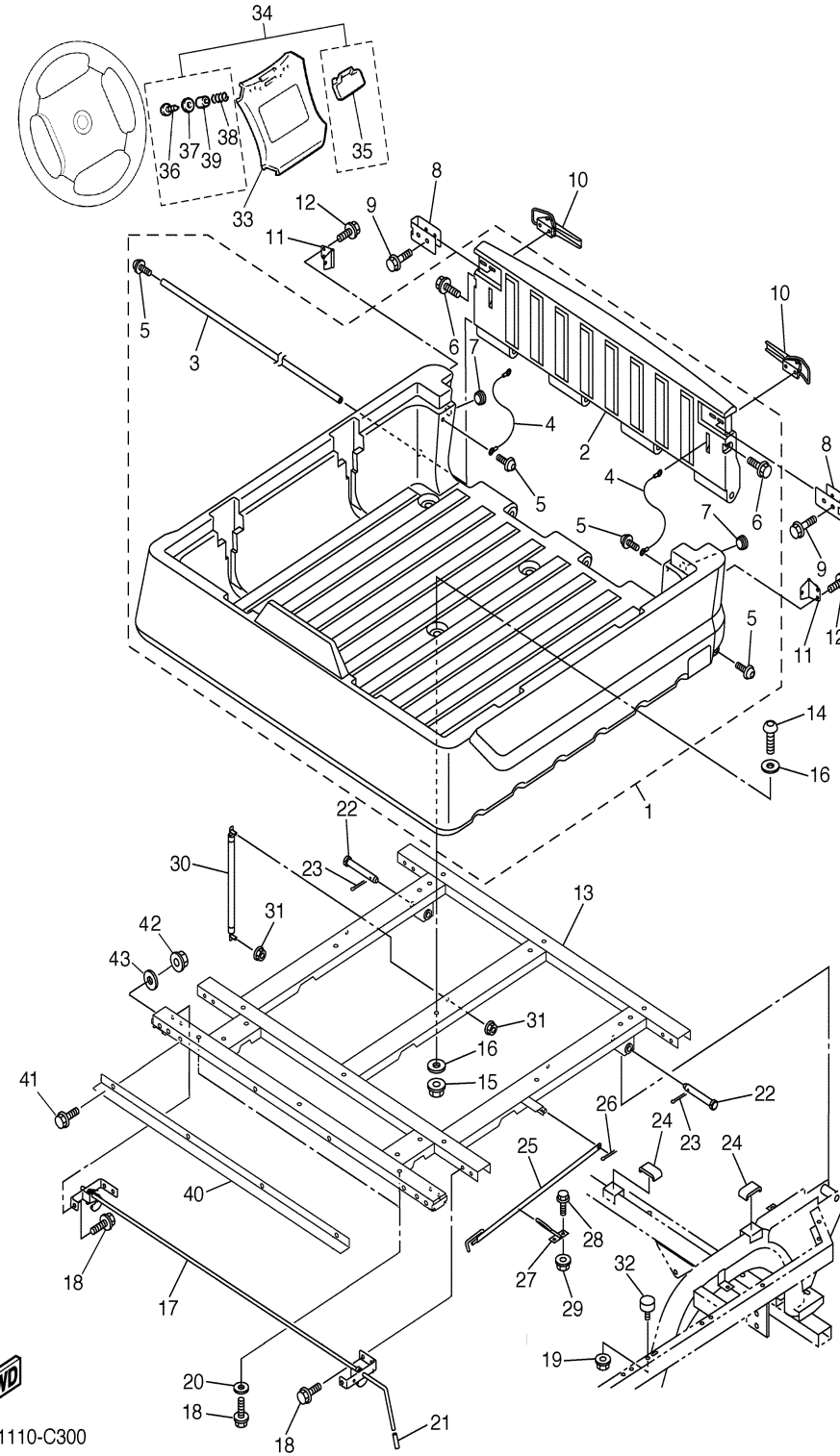
Ref. No.	Part Number	Description	Qty	Remarks
1	JU5-K810M-00-00	REAR STORAGE BOX COMP.	1	
2	JU9-K819K-00-00	. SHELL, RR. STORAGE LID	1	
3	JU9-K8564-00-00	. PIN, HINGE	1	
4	JU9-K7195-00-00	. HOLDER, CABLE	2	
5	JU9-K6179-00-00	. BOLT, SPECIAL 1	4	
6	JU9-K6189-00-00	. BOLT, SPECIAL 2	2	
7	JU9-K7739-10-00	. DAMPER, LID	2	
8	JU9-K7171-00-00	BODY, LATCH 1	2	
9	JU9-K8384-00-00	BOLT	4	
10	5UG-F389E-00-00	LATCH	2	
11	JU9-K7172-00-00	BODY, LATCH 2	2	
12	90119-06830-00	BOLT, HEX. W/WASHER	6	
13	JU9-K818N-01-00	BED, BOX	1	
14	90111-10800-00	BOLT, BUTTON HEAD	7	
15	9560P-10200-00	NUT, U-FLANGE	7	
16	90201-10830-00	WASHER, PLATE	12	
17	JU9-K8380-01-00	LOCK ASSY	1	
18	9582P-08020-00	BOLT, FLANGE	8	
19	9560P-08200-00	NUT, SELF-LOCKING	2	
20	90201-088P7-00	WASHER, PLATE	2	
21	JJ3-K818M-00-00	CAP, PROTECTOR END 4	1	
22	90240-13801-00	PIN, CLEVIS	2	
23	91401-30025-00	PIN, SPLIT	2	
24	JJ3-K815H-01-00	DAMPER, LOCK	3	
25	JU5-K8158-00-00	ROD, INSPECTION LID	1	
26	91401-20020-00	PIN, COTTER	1	
27	JJ3-K8369-00-00	PIN, LEVER	1	
28	90119-06830-00	BOLT, HEX. W/WASHER	2	
29	9560P-06200-00	NUT, U-FLANGE	2	
30	JJ3-K7588-00-00	DAMPER 1	1	

CONTENTS

ACCELERATOR	C1
AIR SHROUD FAN	A8
BODY	C11-12
BODY 2	D1
BODY FITTING	D2
BRAKE	B9-10
BRAKE 2	B11
BRAKE 3	B12
BUMPER	C10
CAMSHAFT VALVE	A7
CARBURETOR	A10
CARRIER JU5-300101~	D5-6
CARRIER ~JU5-300100	D3-4
CRANKCASE	A12
CRANKSHAFT PISTON	A6
CYLINDER HEAD	A5
ELECTRICAL 1 JU5-300101~	D12
ELECTRICAL 1 ~JU5-300100	D11
ELECTRICAL 2	E1-2
ENGINE ASSEMBLY	A4
ENGINE BRACKET	B1
EXHAUST	A11
FRAME	B3
FRONT SUSPENSION WHEEL	B4-5
FUEL TANK	B8
GOVERNOR	C2
HEADLIGHT	D10
INTAKE	A9
PRIMARY SHEAVE	C3
REAR ARM SUSPENSION	B2
REAR AXLE MOUNT WHEEL	C8
SEAT	D7
SECONDARY SHEAVE	C4
SHIFTER CABLES	C9
STARTING MOTOR	D8-9
STEERING	B6-7
TRANSMISSION 1	C5-7
~MODELS IN THIS CATALOG	E3

CONTINUED ON NEXT FRAME ►

CARRIER JU5-300101~



JU91110-C300

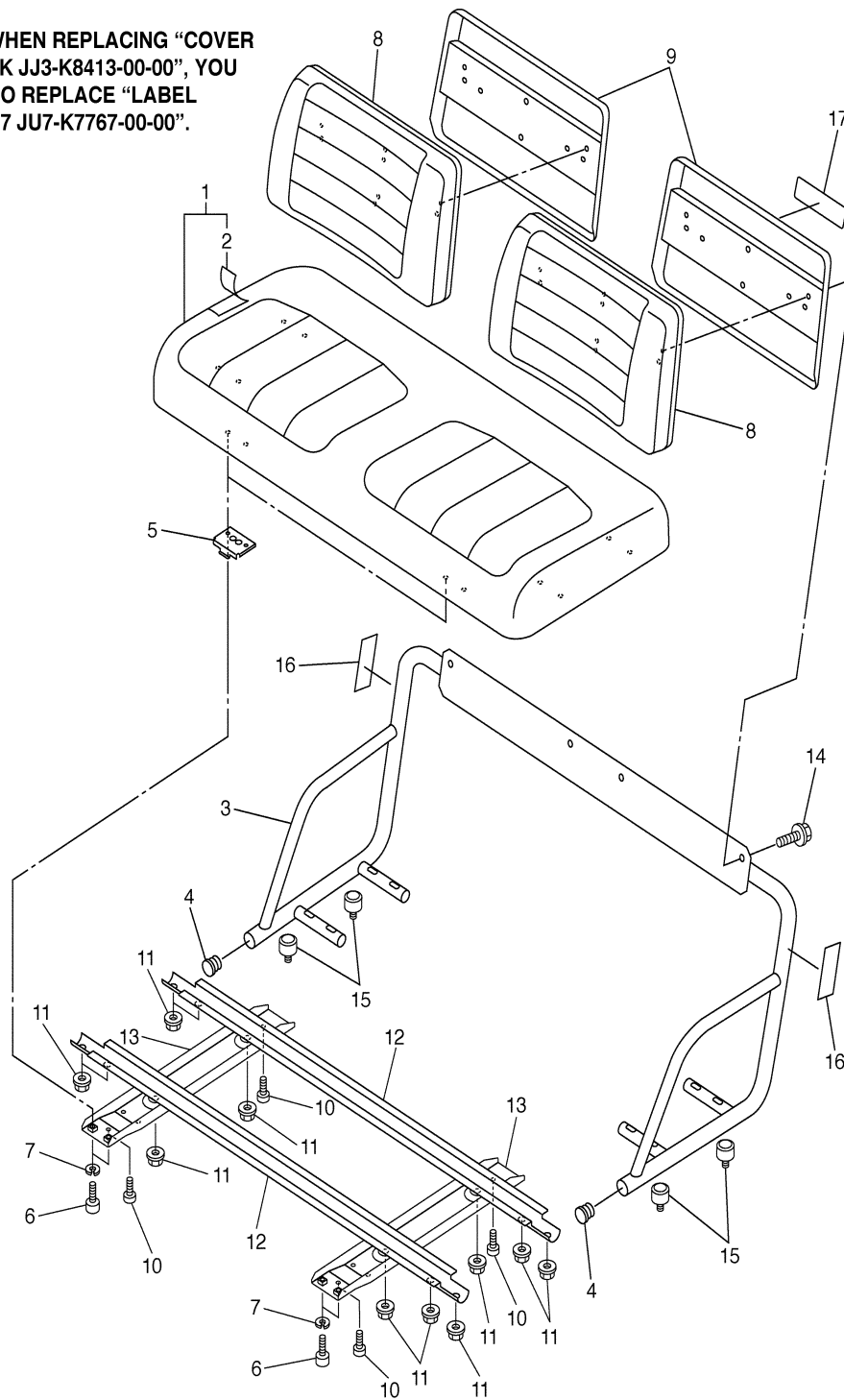
G23AZ_AC

Ref. No.	Part Number	Description	Qty	Remarks
31	9560P-08200-00	NUT, SELF-LOCKING	2	
32	JU5-K8167-10-00	BUMPER, RUBBER 1	2	
33	JN3-K8357-00-00	HOLDER 1	1	
34	JN6-W001D-00-00	SCORE CARD HOLDER KIT ..	1	
35	JN6-K8358-01-00	. HOLDER 2	1	
36	97707-40525-00	. SCREW, TAPPING	2	
37	90201-048R5-00	. WASHER, PLATE	2	
38	90502-10013-00	. SPRING, CONICAL	2	
39	90387-046N7-00	. COLLAR	2	
40	JU9-K8284-01-00	COVER, 4	1	
41	9582P-06016-00	BOLT, FLANGE	4	
42	9560P-06200-00	NUT, U-FLANGE	4	
43	90201-068R3-00	WASHER, PLATE	4	

CONTENTS

ACCELERATOR	C1
AIR SHROUD FAN	A8
BODY	C11-12
BODY 2	D1
BODY FITTING	D2
BRAKE	B9-10
BRAKE 2	B11
BRAKE 3	B12
BUMPER	C10
CAMSHAFT VALVE	A7
CARBURETOR	A10
CARRIER JU5-300101~	D5-6
CARRIER ~JU5-300100	D3-4
CRANKCASE	A12
CRANKSHAFT PISTON	A6
CYLINDER HEAD	A5
ELECTRICAL 1 JU5-300101~	D12
ELECTRICAL 1 ~JU5-300100	D11
ELECTRICAL 2	E1-2
ENGINE ASSEMBLY	A4
ENGINE BRACKET	B1
EXHAUST	A11
FRAME	B3
FRONT SUSPENSION WHEEL	B4-5
FUEL TANK	B8
GOVERNOR	C2
HEADLIGHT	D10
INTAKE	A9
PRIMARY SHEAVE	C3
REAR ARM SUSPENSION	B2
REAR AXLE MOUNT WHEEL	C8
SEAT	D7
SECONDARY SHEAVE	C4
SHIFTER CABLES	C9
STARTING MOTOR	D8-9
STEERING	B6-7
TRANSMISSION 1	C5-7
~MODELS IN THIS CATALOG	E3

NOTE B: WHEN REPLACING "COVER SEAT BACK JJ3-K8413-00-00", YOU MUST ALSO REPLACE "LABEL WARNING 7 JU7-K7767-00-00".



NOTE A: WHEN REPLACING "SEAT ASSY 2 JU9-K8420-00-00", YOU MUST ALSO REPLACE "LABEL WARNING 4 5UG-K7764-00-00".



JW51110-C310

G23AZ_AC

SEAT

Ref. No.	Part Number	Description	Qty	Remarks
1	JU9-K8401-00-00	SEAT SUB-ASSY, CUSHION	1	
2	JU9-K8404-00-00	. COVER, SEAT	1	
3	JU9-K8420-00-00	SEAT ASSY 2	1	SEE NOTE A
4	JU7-F111A-00-00	CAP, MAIN PIPE	2	
5	JN3-K8426-01-00	HINGE, SEAT MALE	2	
6	90111-06810-00	BOLT, HEX	4	
7	90204-06807-00	WASHER, SPRING	4	
8	JU7-K8402-00-00	SEAT SUB ASSY, BACK	2	
9	JJ3-K8413-10-00	COVER, SEAT BACK	2	SEE NOTE B
10	90167-04815-00	SCREW, PAN HEAD TAP	4	
11	9560P-08200-00	NUT, SELF-LOCKING	12	
12	JN6-K8121-00-00	REINFORCEMENT 1	2	
13	JN6-K8122-02-00	REINFORCEMENT 2	2	
14	90119-06837-00	BOLT, HEX. WITH WASHER	4	
15	JU5-K8167-00-00	BUMPER, RUBBER 1	4	
16	5UG-K7764-00-00	LABEL, WARNING 4	2	SEE NOTE A
17	JU7-K7767-00-00	LABEL, WARNING 7	1	SEE NOTE B

CONTENTS

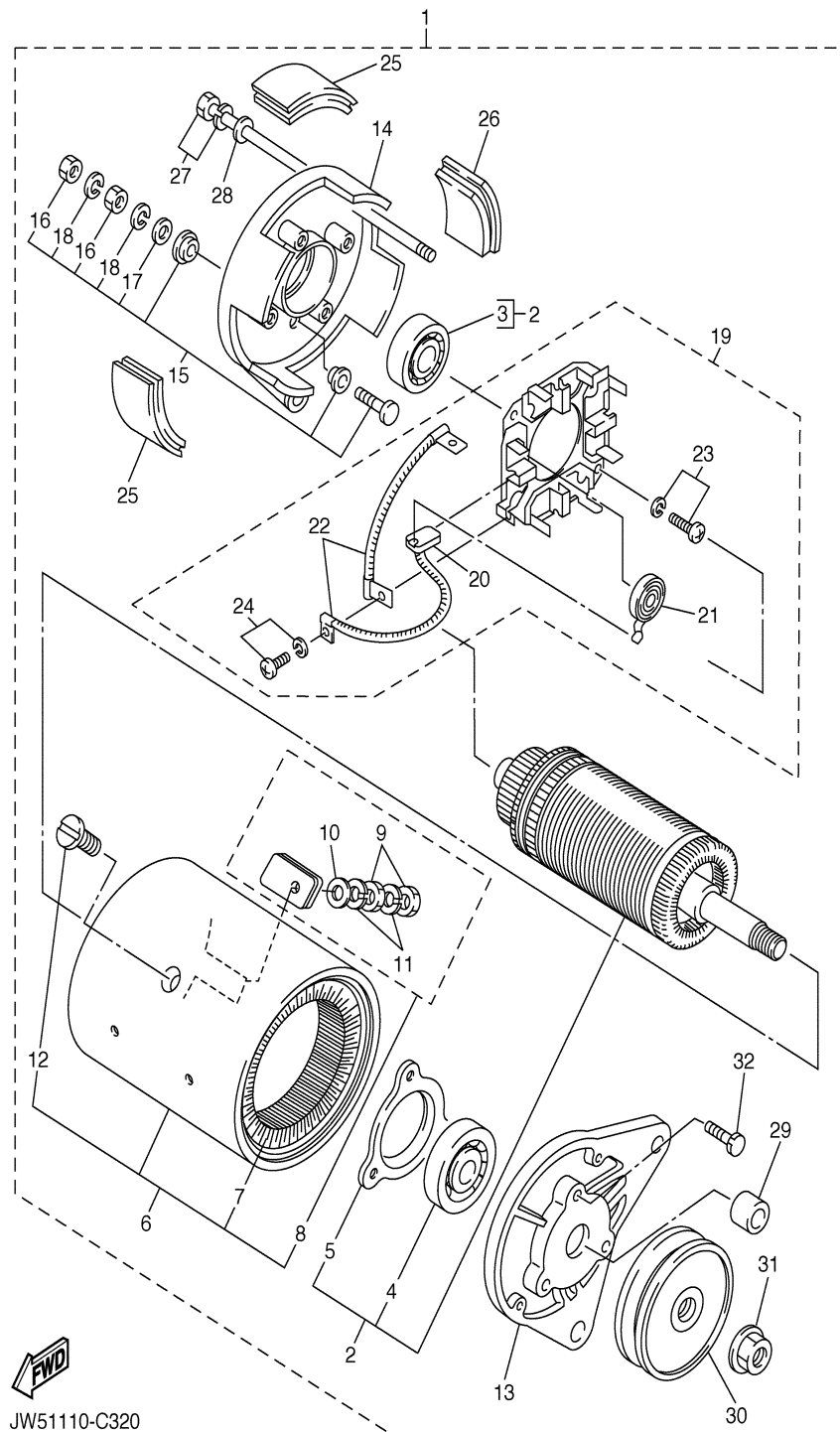
ACCELERATOR	C1
AIR SHROUD FAN	A8
BODY	C11-12
BODY 2	D1
BODY FITTING	D2
BRAKE	B9-10
BRAKE 2	B11
BRAKE 3	B12
BUMPER	C10
CAMSHAFT VALVE	A7
CARBURETOR	A10
CARRIER JU5-300101~	D5-6
CARRIER ~JU5-300100	D3-4
CRANKCASE	A12
CRANKSHAFT PISTON	A6
CYLINDER HEAD	A5
ELECTRICAL 1 JU5-300101~	D12
ELECTRICAL 1 ~JU5-300100	D11
ELECTRICAL 2	E1-2
ENGINE ASSEMBLY	A4
ENGINE BRACKET	B1
EXHAUST	A11
FRAME	B3
FRONT SUSPENSION WHEEL	B4-5
FUEL TANK	B8
GOVERNOR	C2
HEADLIGHT	D10
INTAKE	A9
PRIMARY SHEAVE	C3
REAR ARM SUSPENSION	B2
REAR AXLE MOUNT WHEEL	C8
SEAT	D7
SECONDARY SHEAVE	C4
SHIFTER CABLES	C9
STARTING MOTOR	D8-9
STEERING	B6-7
TRANSMISSION 1	C5-7
~MODELS IN THIS CATALOG	E3

STARTING MOTOR

Ref. No.	Part Number	Description	Qty	Remarks
1	JN6-H1100-03-00	STARTER GENERATOR	1	
2	JN3-H1150-00-00	. ARMATURE ASSY	1	
3	J10-H1157-10-00	.. BEARING 1 (6202 SD)	1	
4	J10-H1158-10-00	.. BEARING 2 (6203 SD)	1	
5	J10-H1159-10-00	.. HOLDER, BEARING	1	
6	JN6-H1110-10-00	. STATOR ASSY	1	
7	JN6-H1160-10-00	.. FIELD COIL ASSY	1	
8	J10-81148-10-00	.. SCREW	2	
9	9530N-06600-00	.. NUT	2	
10	9290N-06600-00	... WASHER	1	
11	9290N-06100-00	... WASHER, SPRING	2	
12	J10-81146-10-00	.. SCREW	4	
13	J38-H1165-10-00	. BRACKET, STARTER GENERATOR 1	1	
14	J10-H1166-10-00	. BRACKET, STARTER GENERATOR 2	1	
15	J10-H1147-10-00	. SCREW 3	2	
16	9530N-06600-00	.. NUT	2	
17	9290N-06600-00	.. WASHER	1	
18	9290N-06100-00	.. WASHER, SPRING	2	
19	JN6-H1119-00-00	. BRUSH HOLDER ASSY	1	
20	JF2-H1111-00-00	.. BRUSH	4	
21	JN6-H1113-00-00	.. SPRING, BRUSH	4	
22	J10-H1115-10-00	.. WIRE, LEAD	2	
23	9850N-05016-00	.. SCREW, PAN HEAD	2	
24	9850N-04010-00	.. SCREW, PAN HEAD	4	
25	J10-H1129-10-00	. COVER, BRUSH	3	
26	J10-H1139-10-00	. COVER, BRUSH 2	1	
27	J10-81145-10-00	. SCREW	2	
28	9290N-06600-00	. WASHER	2	
29	JN3-H1661-00-00	. SPACER	1	

CONTENTS

ACCELERATOR	C1
AIR SHROUD FAN	A8
BODY	C11-12
BODY 2	D1
BODY FITTING	D2
BRAKE	B9-10
BRAKE 2	B11
BRAKE 3	B12
BUMPER	C10
CAMSHAFT VALVE	A7
CARBURETOR	A10
CARRIER JU5-300101~	D5-6
CARRIER ~JU5-300100	D3-4
CRANKCASE	A12
CRANKSHAFT PISTON	A6
CYLINDER HEAD	A5
ELECTRICAL 1 JU5-300101~	D12
ELECTRICAL 1 ~JU5-300100	D11
ELECTRICAL 2	E1-2
ENGINE ASSEMBLY	A4
ENGINE BRACKET	B1
EXHAUST	A11
FRAME	B3
FRONT SUSPENSION WHEEL	B4-5
FUEL TANK	B8
GOVERNOR	C2
HEADLIGHT	D10
INTAKE	A9
PRIMARY SHEAVE	C3
REAR ARM SUSPENSION	B2
REAR AXLE MOUNT WHEEL	C8
SEAT	D7
SECONDARY SHEAVE	C4
SHIFTER CABLES	C9
STARTING MOTOR	D8-9
STEERING	B6-7
TRANSMISSION 1	C5-7
~MODELS IN THIS CATALOG	E3



JW51110-C320

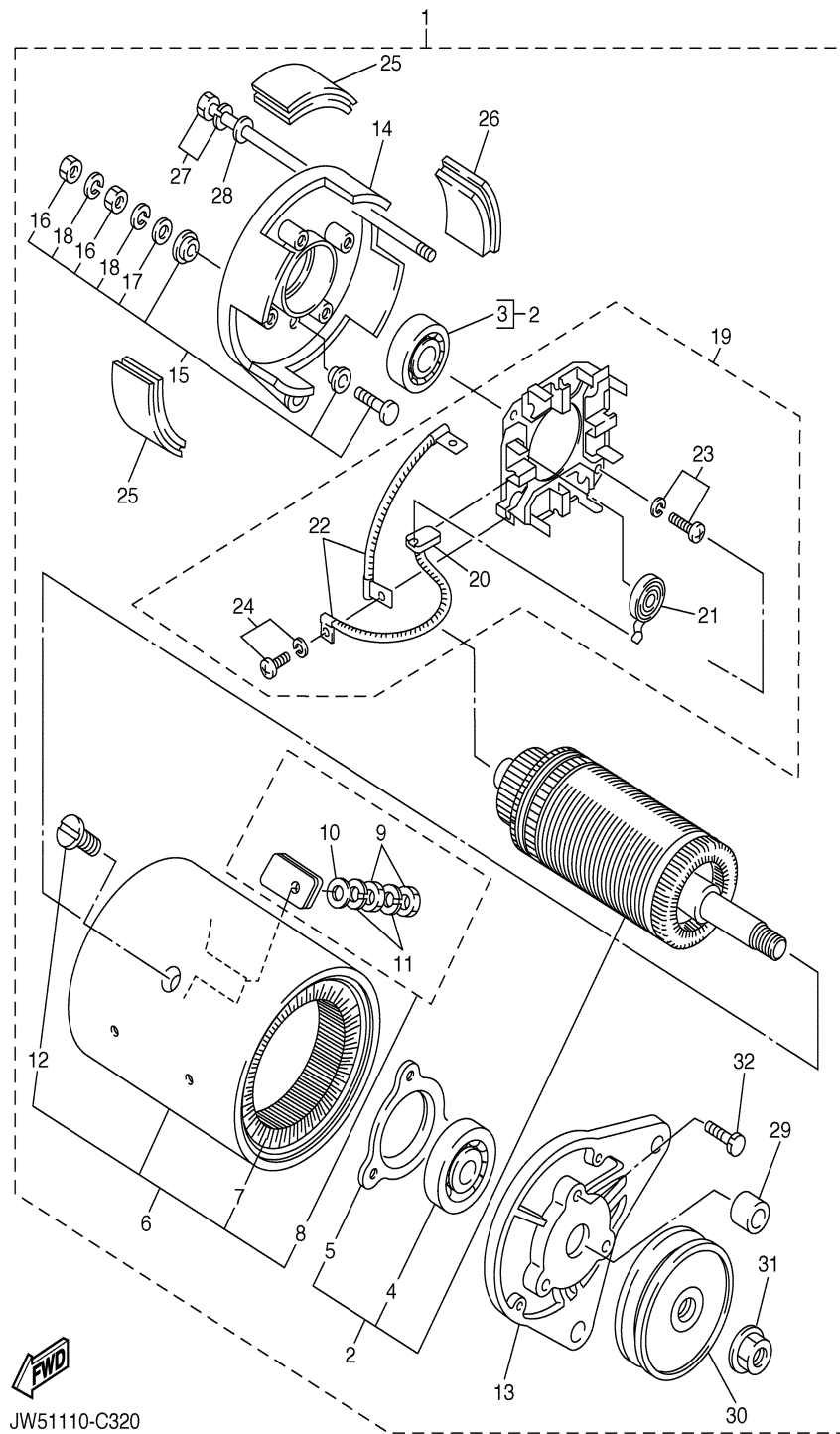
CONTINUED ON NEXT FRAME ►

STARTING MOTOR

Ref. No.	Part Number	Description	Qty	Remarks
30	JN6-H1161-00-00	. PULLEY	1	
31	90179-16889-00	. NUT, FLANGE	1	
32	9850N-05018-00	. SCREW, PAN HEAD	3	

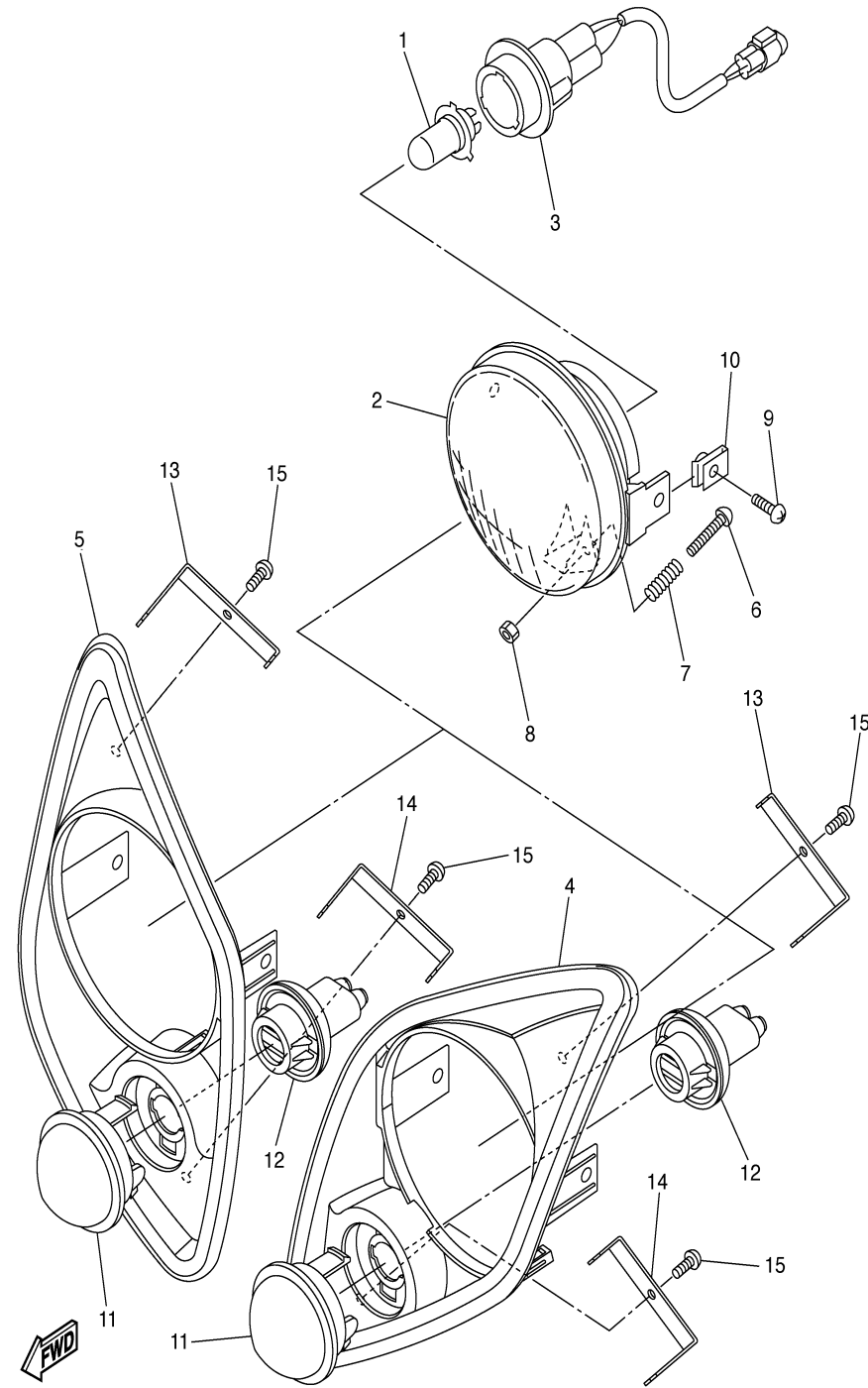
CONTENTS

ACCELERATOR	C1
AIR SHROUD FAN	A8
BODY	C11-12
BODY 2	D1
BODY FITTING	D2
BRAKE	B9-10
BRAKE 2	B11
BRAKE 3	B12
BUMPER	C10
CAMSHAFT VALVE	A7
CARBURETOR	A10
CARRIER JU5-300101~	D5-6
CARRIER ~JU5-300100	D3-4
CRANKCASE	A12
CRANKSHAFT PISTON	A6
CYLINDER HEAD	A5
ELECTRICAL 1 JU5-300101~	D12
ELECTRICAL 1 ~JU5-300100	D11
ELECTRICAL 2	E1-2
ENGINE ASSEMBLY	A4
ENGINE BRACKET	B1
EXHAUST	A11
FRAME	B3
FRONT SUSPENSION WHEEL	B4-5
FUEL TANK	B8
GOVERNOR	C2
HEADLIGHT	D10
INTAKE	A9
PRIMARY SHEAVE	C3
REAR ARM SUSPENSION	B2
REAR AXLE MOUNT WHEEL	C8
SEAT	D7
SECONDARY SHEAVE	C4
SHIFTER CABLES	C9
STARTING MOTOR	D8-9
STEERING	B6-7
TRANSMISSION 1	C5-7
~MODELS IN THIS CATALOG	E3



JW51110-C320

HEADLIGHT



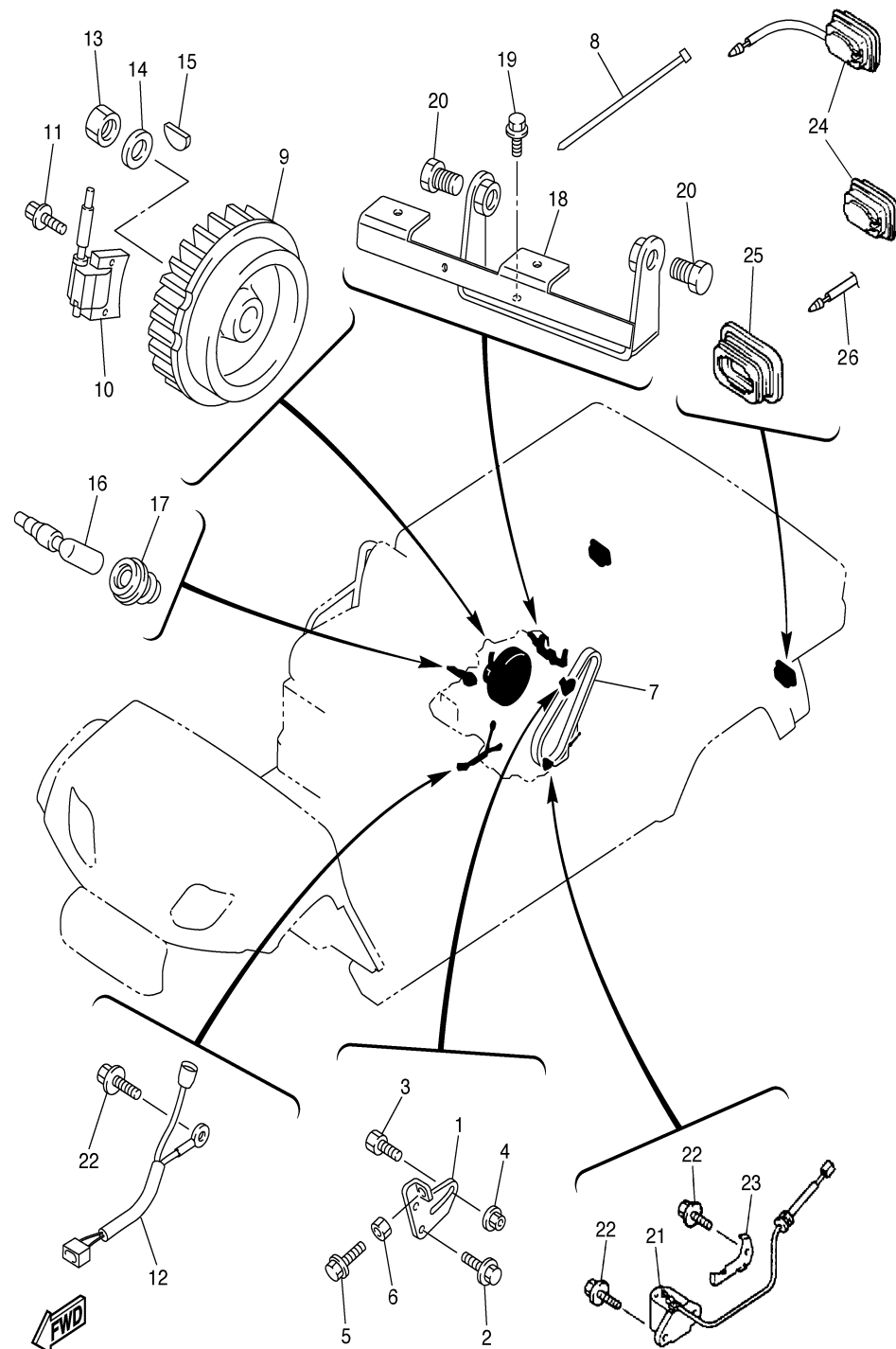
JU71110-C330

Ref. No.	Part Number	Description	Qty	Remarks
1	5FU-H4314-00-00	BULB, HEADLIGHT (12V-30/30W)	2	
2	5FU-H4320-00-00	LENS ASSY	2	
3	5FU-H4340-00-00	SOCKET CORD ASSY 1	2	
4	JU7-H411T-00-00	HOLDER, 1	1	LH ~JU5-000900
	JU7-H411T-02-00	HOLDER, 1	1	JU5-000901~
5	JU7-H411U-00-00	HOLDER, 2	1	RH ~JU5-000900
	JU7-H411U-02-00	HOLDER, 2	1	JU5-000901~
6	98507-03540-00	SCREW, PAN HEAD	2	
7	2GU-84332-00-00	SPRING, COMPRESSION	2	JU5-000901~
	90501-10060-00	SPRING, COMPRESSION	2	~JU5-000900
8	2GU-84334-00-00	NUT, ADJUSTING	2	
9	90150-05802-00	SCREW, ROUND HEAD	4	
10	90183-05008-00	NUT, SPRING	4	
11	JU7-H5415-00-00	MARK, SIGNAL LAMP	2	
12	JU7-H3547-00-00	COVER, SOCKET	2	
13	JU7-H4118-01-00	STAY, HEADLIGHT 1	2	
14	JU7-H4119-01-00	STAY, HEADLIGHT 2	2	
15	97707-40112-00	SCREW, TAPPING	4	

CONTENTS

ACCELERATOR	C1
AIR SHROUD FAN	A8
BODY	C11-12
BODY 2	D1
BODY FITTING	D2
BRAKE	B9-10
BRAKE 2	B11
BRAKE 3	B12
BUMPER	C10
CAMSHAFT VALVE	A7
CARBURETOR	A10
CARRIER JU5-300101~	D5-6
CARRIER ~JU5-300100	D3-4
CRANKCASE	A12
CRANKSHAFT PISTON	A6
CYLINDER HEAD	A5
ELECTRICAL 1 JU5-300101~	D12
ELECTRICAL 1 ~JU5-300100	D11
ELECTRICAL 2	E1-2
ENGINE ASSEMBLY	A4
ENGINE BRACKET	B1
EXHAUST	A11
FRAME	B3
FRONT SUSPENSION WHEEL	B4-5
FUEL TANK	B8
GOVERNOR	C2
HEADLIGHT	D10
INTAKE	A9
PRIMARY SHEAVE	C3
REAR ARM SUSPENSION	B2
REAR AXLE MOUNT WHEEL	C8
SEAT	D7
SECONDARY SHEAVE	C4
SHIFTER CABLES	C9
STARTING MOTOR	D8-9
STEERING	B6-7
TRANSMISSION 1	C5-7
~MODELS IN THIS CATALOG	E3

ELECTRICAL 1 ~JU5-300100



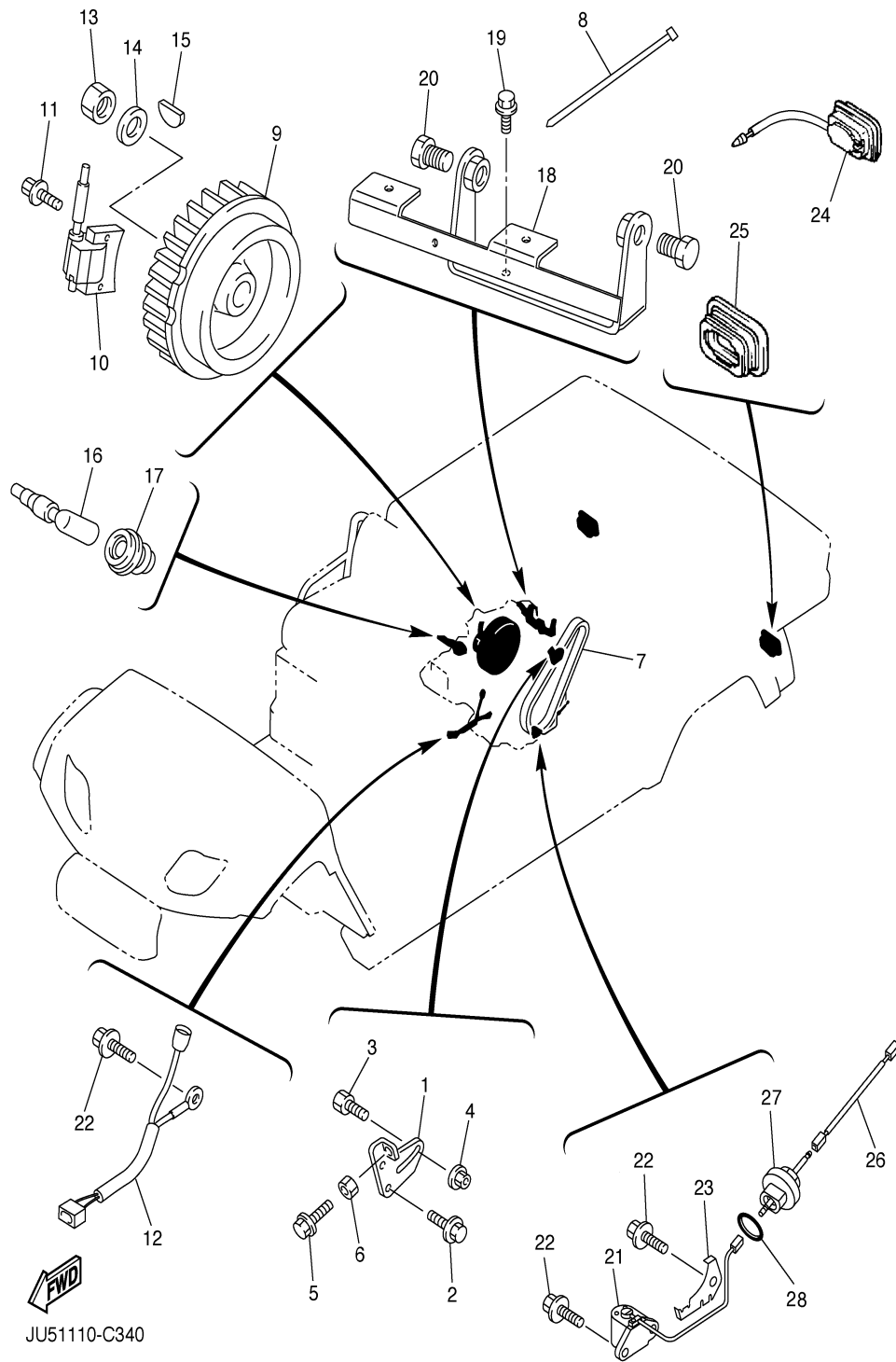
JU51110-C340

Ref. No.	Part Number	Description	Qty	Remarks
1	JN6-H1170-00-00	TENSIONER ASSEMBLY	1	
2	9582P-08020-00	BOLT, FLANGE	2	
3	90109-08875-00	BOLT	1	
4	95707-08500-00	NUT, FLANGE	1	
5	90101-06478-00	BOLT, HEX.	1	
6	95307-06600-00	NUT	1	
7	JN6-H1173-00-00	BELT	1	
8	90464-09823-00	CLAMP	1	
9	JR7-85650-00-00	ROTOR ASSY	1	
10	JN6-85640-01-00	T.C.I. UNIT ASSY	1	
11	95827-06025-00	BOLT, FLANGE	2	
12	JN6-82318-00-00	WIRE, SUB-LEAD	1	
13	95307-18600-00	NUT, HEX.	1	
14	90201-18620-00	WASHER, PLAIN	1	
15	90280-04052-00	KEY, WOODRUFF	1	
16	JN6-82370-00-00	PLUG CAP ASSY	1	
17	JE8-82372-00-00	SEAL, PLUG CAP	1	
18	JN6-H1171-00-00	BRACKET, STARTER GENERATOR	1	
19	9582P-08020-00	BOLT, FLANGE	2	
20	9581P-12025-00	BOLT, FLANGE	2	
21	JN6-85720-12-00	OIL LEVEL GAUGE	1	
22	95827-06012-00	BOLT, FLANGE	4	
23	JN6-85724-00-00	CLAMP, OIL LEVEL	1	
24	JN3-H4700-00-00	TAILLIGHT ASSY	2	JU5-00101~000900
	JU5-H4700-10-00	TAILLIGHT ASSY	2	JU5-000901~300100 WIRE LEAD ATTACHED
25	JN3-H4718-00-00	GROMMET	2	
26	JU7-H2521-01-00	WIRE, LEAD (TAILLIGHT)	1	JU5-00101~000900

CONTENTS

ACCELERATOR	C1
AIR SHROUD FAN	A8
BODY	C11-12
BODY 2	D1
BODY FITTING	D2
BRAKE	B9-10
BRAKE 2	B11
BRAKE 3	B12
BUMPER	C10
CAMSHAFT VALVE	A7
CARBURETOR	A10
CARRIER JU5-300101~	D5-6
CARRIER ~JU5-300100	D3-4
CRANKCASE	A12
CRANKSHAFT PISTON	A6
CYLINDER HEAD	A5
ELECTRICAL 1 JU5-300101~	D12
ELECTRICAL 1 ~JU5-300100	D11
ELECTRICAL 2	E1-2
ENGINE ASSEMBLY	A4
ENGINE BRACKET	B1
EXHAUST	A11
FRAME	B3
FRONT SUSPENSION WHEEL	B4-5
FUEL TANK	B8
GOVERNOR	C2
HEADLIGHT	D10
INTAKE	A9
PRIMARY SHEAVE	C3
REAR ARM SUSPENSION	B2
REAR AXLE MOUNT WHEEL	C8
SEAT	D7
SECONDARY SHEAVE	C4
SHIFTER CABLES	C9
STARTING MOTOR	D8-9
STEERING	B6-7
TRANSMISSION 1	C5-7
~MODELS IN THIS CATALOG	E3

ELECTRICAL 1 JU5-300101~



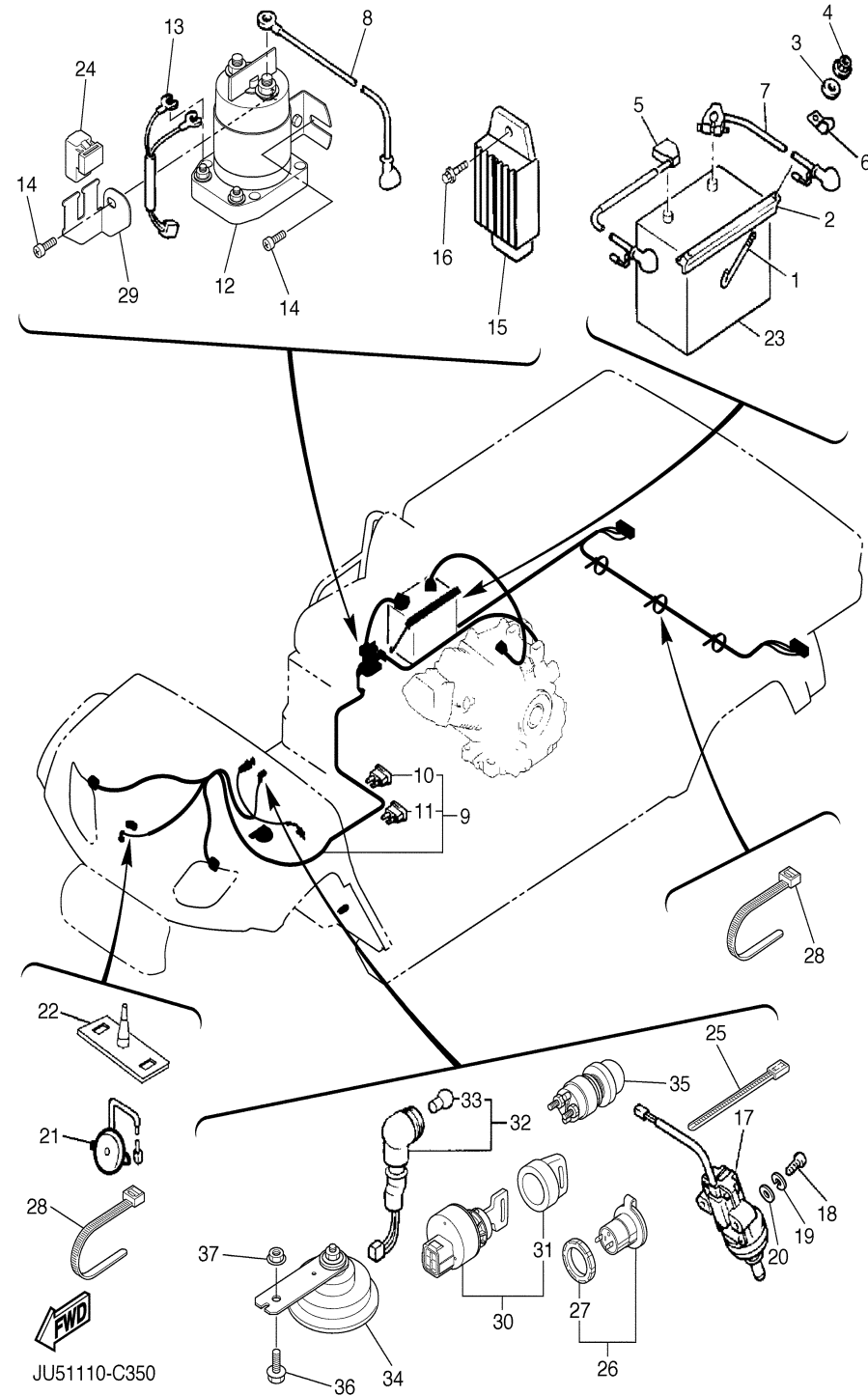
JU51110-C340

Ref. No.	Part Number	Description	Qty	Remarks
1	JN6-H1170-00-00	TENSIONER ASSEMBLY	1	
2	9582P-08020-00	BOLT, FLANGE	2	
3	90109-08875-00	BOLT	1	
4	95707-08500-00	NUT, FLANGE	1	
5	90101-06478-00	BOLT, HEX.	1	
6	95307-06600-00	NUT	1	
7	JN6-H1173-00-00	BELT	1	
8	90464-09823-00	CLAMP	1	
9	JR7-85650-00-00	ROTOR ASSY	1	
10	JN6-85640-01-00	T.C.I. UNIT ASSY	1	
11	95827-06025-00	BOLT, FLANGE	2	
12	JN6-82318-00-00	WIRE, SUB-LEAD	1	
13	95307-18600-00	NUT, HEX.	1	
14	90201-18620-00	WASHER, PLAIN	1	
15	90280-04052-00	KEY, WOODRUFF	1	
16	JN6-82370-00-00	PLUG CAP ASSY	1	
17	JE8-82372-00-00	SEAL, PLUG CAP	1	
18	JN6-H1171-00-00	BRACKET, STARTER GENERATOR	1	
19	9582P-08020-00	BOLT, FLANGE	2	
20	9581P-12025-00	BOLT, FLANGE	2	
21	JT0-85720-00-00	OIL LEVEL GAUGE ASSY	1	
22	95827-06012-00	BOLT, FLANGE	4	
23	JT0-85724-00-00	CLAMP	1	
24	JU5-H4700-10-00	TAILLIGHT ASSY	2	
25	JU5-H4718-00-00	GROMMET	2	
26	JT0-8231Y-00-00	WIRE, LEAD	1	
27	JT0-15362-00-00	PLUG, OIL LEVEL	1	
28	93210-15414-00	O-RING	1	

CONTENTS

ACCELERATOR	C1
AIR SHROUD FAN	A8
BODY	C11-12
BODY 2	D1
BODY FITTING	D2
BRAKE	B9-10
BRAKE 2	B11
BRAKE 3	B12
BUMPER	C10
CAMSHAFT VALVE	A7
CARBURETOR	A10
CARRIER JU5-300101~	D5-6
CARRIER ~JU5-300100	D3-4
CRANKCASE	A12
CRANKSHAFT PISTON	A6
CYLINDER HEAD	A5
ELECTRICAL 1 JU5-300101~	D12
ELECTRICAL 1 ~JU5-300100	D11
ELECTRICAL 2	E1-2
ENGINE ASSEMBLY	A4
ENGINE BRACKET	B1
EXHAUST	A11
FRAME	B3
FRONT SUSPENSION WHEEL	B4-5
FUEL TANK	B8
GOVERNOR	C2
HEADLIGHT	D10
INTAKE	A9
PRIMARY SHEAVE	C3
REAR ARM SUSPENSION	B2
REAR AXLE MOUNT WHEEL	C8
SEAT	D7
SECONDARY SHEAVE	C4
SHIFTER CABLES	C9
STARTING MOTOR	D8-9
STEERING	B6-7
TRANSMISSION 1	C5-7
~MODELS IN THIS CATALOG	E3

ELECTRICAL 2



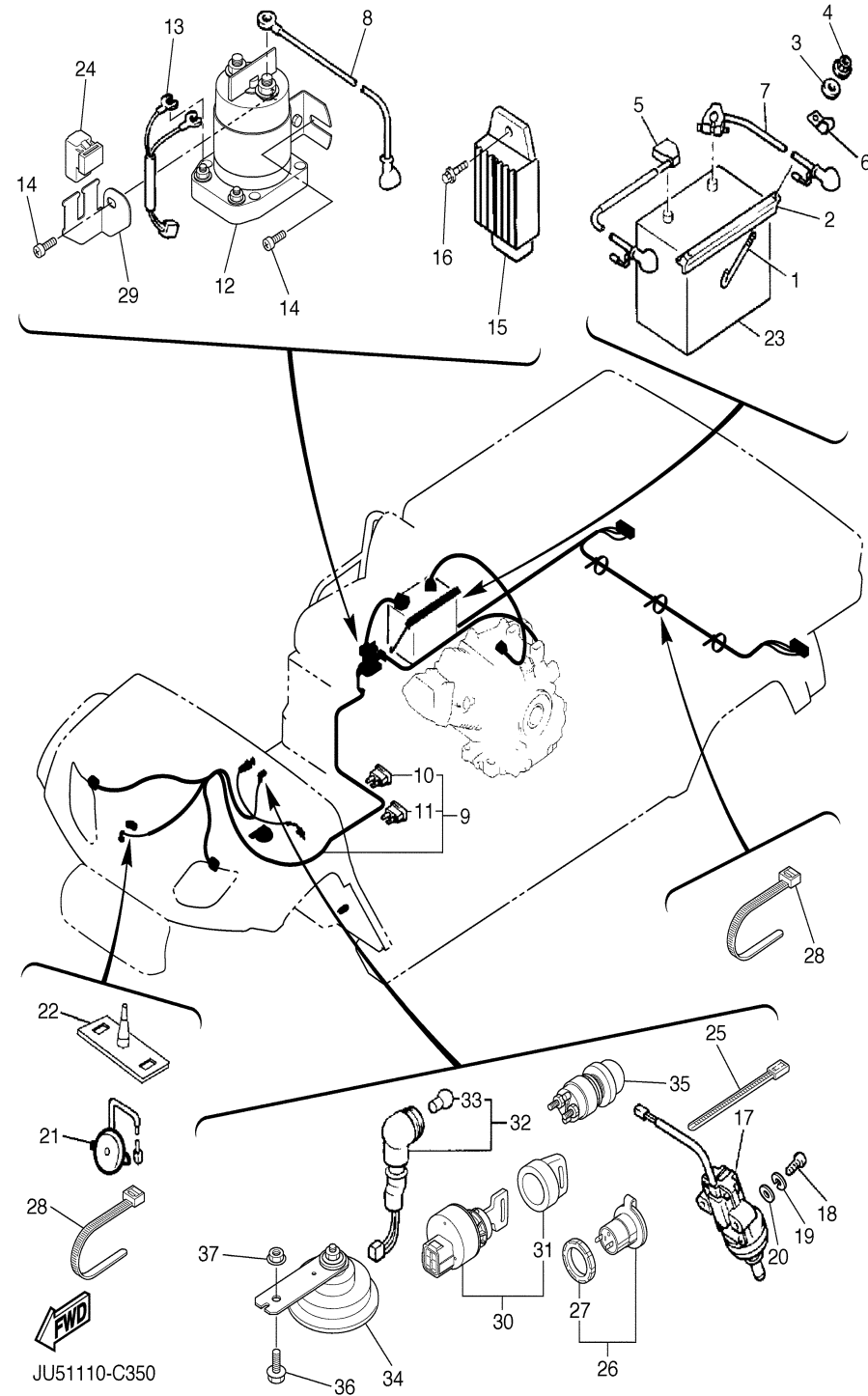
Ref. No.	Part Number	Description	Qty	Remarks
1	JN3-H2133-00-00	SCREW, FITTING	2	
2	J55-H2136-00-00	PLATE, BATTERY	1	
3	9290P-06200-00	WASHER	2	
4	95707-06500-00	NUT, FLANGE	2	
5	JU9-H2115-00-00	WIRE, PLUS LEAD	1	
6	90461-08031-00	CLAMP	2	
7	JR3-H2116-00-00	WIRE, MINUS LEAD	1	
8	JR3-H2117-00-00	WIRE, LEAD	1	
9	JU9-H2590-00-00	WIRE HARNESS ASSY	1	JU5-000101~000300
	JU9-H2590-01-00	WIRE HARNESS ASSY	1	JU5-000301~
10	JN6-H2151-00-00	. FUSE (10 A)	2	
11	JU7-H2151-00-00	. FUSE (20 A)	1	
12	JR3-H1950-00-00	RELAY ASSY	1	
13	JN6-H2105-00-00	HARNESS, WIRE	1	
14	90163-06005-00	SCREW, HEX. T	2	
15	JF2-81910-01-00	VOLTAGE REGULATOR	1	
16	90105-06876-00	BOLT, FLANGE	1	
17	JF7-82817-20-00	SWITCH, ACCELERATOR STOP	1	
18	98507-05025-00	SCREW, PAN HEAD	2	
19	92907-05100-00	WASHER, LOCK	2	
20	92907-05600-00	WASHER, PLATE	2	
21	JR1-H3383-01-00	BUZZER	1	
22	JN6-H3386-01-00	STAY, BUZZER	1	
23	JG5-H2110-01-00	BATTERY (GRP 24, 12V 400CCA)	1	LM (12 V, BCI GROUP 24, CCA: MIN 400A)
24	4U8-81950-02-00	RELAY ASSY	1	
25	90464-40825-00	CLAMP	5	
26	5FU-H1920-10-00	TERMINAL ASSY	1	
27	5FU-H191B-10-00	. NUT	1	
28	90464-14806-00	CLAMP	5	

CONTENTS

ACCELERATOR	C1
AIR SHROUD FAN	A8
BODY	C11-12
BODY 2	D1
BODY FITTING	D2
BRAKE	B9-10
BRAKE 2	B11
BRAKE 3	B12
BUMPER	C10
CAMSHAFT VALVE	A7
CARBURETOR	A10
CARRIER JU5-300101~	D5-6
CARRIER ~JU5-300100	D3-4
CRANKCASE	A12
CRANKSHAFT PISTON	A6
CYLINDER HEAD	A5
ELECTRICAL 1 JU5-300101~	D12
ELECTRICAL 1 ~JU5-300100	D11
ELECTRICAL 2	E1-2
ENGINE ASSEMBLY	A4
ENGINE BRACKET	B1
EXHAUST	A11
FRAME	B3
FRONT SUSPENSION WHEEL	B4-5
FUEL TANK	B8
GOVERNOR	C2
HEADLIGHT	D10
INTAKE	A9
PRIMARY SHEAVE	C3
REAR ARM SUSPENSION	B2
REAR AXLE MOUNT WHEEL	C8
SEAT	D7
SECONDARY SHEAVE	C4
SHIFTER CABLES	C9
STARTING MOTOR	D8-9
STEERING	B6-7
TRANSMISSION 1	C5-7
~MODELS IN THIS CATALOG	E3

CONTINUED ON NEXT FRAME ►

ELECTRICAL 2



Ref. No.	Part Number	Description	Qty	Remarks
29	JU7-F253B-00-00	STAY, RELAY	1	
30	JU7-H2510-00-00	MAIN SWITCH ASSY	1	JU5-000101~300100 RANDOM KEY SW
	JU6-H2510-10-00	MAIN SWITCH ASSY	1	JU5-300101~ COMMON SW KEY PN JU6-H2511-10-00
31	5UG-H2579-00-00	. CAP, KEY	1	
32	JN6-83530-00-00	PILOT LIGHT ASSY	1	
33	123-83516-21-00	. BULB (12V-3.4W)	1	US MARKET ONLY
34	4LR-83371-10-00	HORN	1	
35	JR6-H270X-00-00	SWITCH	1	
36	9582P-06016-00	BOLT, FLANGE	1	
37	95707-06500-00	NUT, FLANGE	1	

CONTENTS

ACCELERATOR	C1
AIR SHROUD FAN	A8
BODY	C11-12
BODY 2	D1
BODY FITTING	D2
BRAKE	B9-10
BRAKE 2	B11
BRAKE 3	B12
BUMPER	C10
CAMSHAFT VALVE	A7
CARBURETOR	A10
CARRIER JU5-300101~	D5-6
CARRIER ~JU5-300100	D3-4
CRANKCASE	A12
CRANKSHAFT PISTON	A6
CYLINDER HEAD	A5
ELECTRICAL 1 JU5-300101~	D12
ELECTRICAL 1 ~JU5-300100	D11
ELECTRICAL 2	E1-2
ENGINE ASSEMBLY	A4
ENGINE BRACKET	B1
EXHAUST	A11
FRAME	B3
FRONT SUSPENSION WHEEL	B4-5
FUEL TANK	B8
GOVERNOR	C2
HEADLIGHT	D10
INTAKE	A9
PRIMARY SHEAVE	C3
REAR ARM SUSPENSION	B2
REAR AXLE MOUNT WHEEL	C8
SEAT	D7
SECONDARY SHEAVE	C4
SHIFTER CABLES	C9
STARTING MOTOR	D8-9
STEERING	B6-7
TRANSMISSION 1	C5-7
~MODELS IN THIS CATALOG	E3

~MODELS IN THIS CATALOG

Ref. No.	Part Number	Description	Qty	Remarks
----------	-------------	-------------	-----	---------

CONTENTS

ACCELERATOR	C1
AIR SHROUD FAN	A8
BODY	C11-12
BODY 2	D1
BODY FITTING	D2
BRAKE	B9-10
BRAKE 2	B11
BRAKE 3	B12
BUMPER	C10
CAMSHAFT VALVE	A7
CARBURETOR	A10
CARRIER JU5-300101~	D5-6
CARRIER ~JU5-300100	D3-4
CRANKCASE	A12
CRANKSHAFT PISTON	A6
CYLINDER HEAD	A5
ELECTRICAL 1 JU5-300101~	D12
ELECTRICAL 1 ~JU5-300100	D11
ELECTRICAL 2	E1-2
ENGINE ASSEMBLY	A4
ENGINE BRACKET	B1
EXHAUST	A11
FRAME	B3
FRONT SUSPENSION WHEEL	B4-5
FUEL TANK	B8
GOVERNOR	C2
HEADLIGHT	D10
INTAKE	A9
PRIMARY SHEAVE	C3
REAR ARM SUSPENSION	B2
REAR AXLE MOUNT WHEEL	C8
SEAT	D7
SECONDARY SHEAVE	C4
SHIFTER CABLES	C9
STARTING MOTOR	D8-9
STEERING	B6-7
TRANSMISSION 1	C5-7
~MODELS IN THIS CATALOG	E3

2004 G23AZ (JU51)

2005 G23AZ (JU51)

STARTING SERIAL NO. (G23AZ): JU5-000101 ~300100 and
following

2006 G23AC (JU51)

STARTING SERIAL NO. (G23AC): JU5-300101 and following

ALL THESE MODELS USE THIS SAME PARTS CATALOG.
BE SURE TO ORDER ONLY THOSE PARTS APPLICABLE
TO THE DESIRED MODEL.