

PARTS CATALOGUE GOLF CAR *G-MAX GAS*

2003 G22AY (JU01)
2004 G22AZ (JU01)
2005 G22AA (JU02)
2005 G22AB (JU02)
2006 G22AC (JU02)
2006 G22AD (JU03)

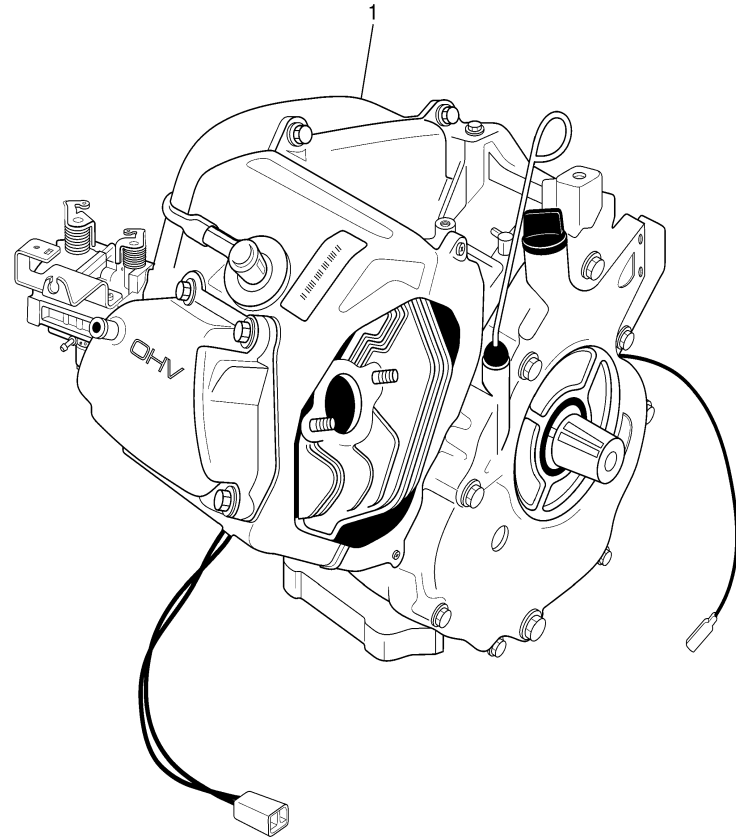
STARTING FRAME (G22AY): JU0-000101 and following
STARTING FRAME (G22AZ): JU0-100101 and following
STARTING FRAME (G22AA): JU0-200101 and following
STARTING FRAME (G22AB): JU0-209201 and following
STARTING FRAME (G22AC): JU0-300101 and following
STARTING FRAME (G22AD): JU0-310101 and following

CONTENTS

ACCELERATOR	C2
AIR SHROUD FAN	A6
BODY 1	D1-2
BODY 2	D3-4
BODY FITTING	D5
BRAKE 1	B10-11
BRAKE 2	B12
BRAKE 3	C1
BUMPER	C12
CAMSHAFT VALVE	A5
CARBURETOR	A8
CARRIER	D6
CRANKCASE	A10
CRANKSHAFT PISTON	A4
CYLINDER HEAD	A3
ELECTRICAL 1	D10
ELECTRICAL 2	D11-12
ENGINE ASSEMBLY	A2
ENGINE BRACKET 209201~	A12
ENGINE MOUNT ~209200	A11
EXHAUST	A9
FRAME	B3
FRONT SUSPENSION WHEEL	B4-5
FUEL TANK 209201~	B9
FUEL TANK ~209200	B8
GOVERNOR	C3
INTAKE	A7
OPTIONAL LIGHT KIT	E3
OPTIONAL LIGHT KIT STREAMLINE JU0	E4-5
OPTIONAL SUN ROOF	E2
OPTIONAL WINDSHIELD	E1
PRIMARY SHEAVE JU0-102249~	C5
PRIMARY SHEAVE ~JU0-102248	C4
REAR ARM SUSPENSION 209201~	B2
REAR ARM SUSPENSION ~209200	B1
REAR AXLE MOUNT WHEEL	C10
SEAT	D7
SECONDARY SHEAVE	C6
SHIFTER CABLES	C11
STARTING MOTOR	D8-9
STEERING	B6-7
TRANSMISSION 1	C7-9
~MODELS IN THIS CATALOG	E6

ENGINE ASSEMBLY

Ref. No.	Part Number	Description	Qty	Remarks
1	JR6-19001-00-00	ENGINE ASSEMBLY	1	



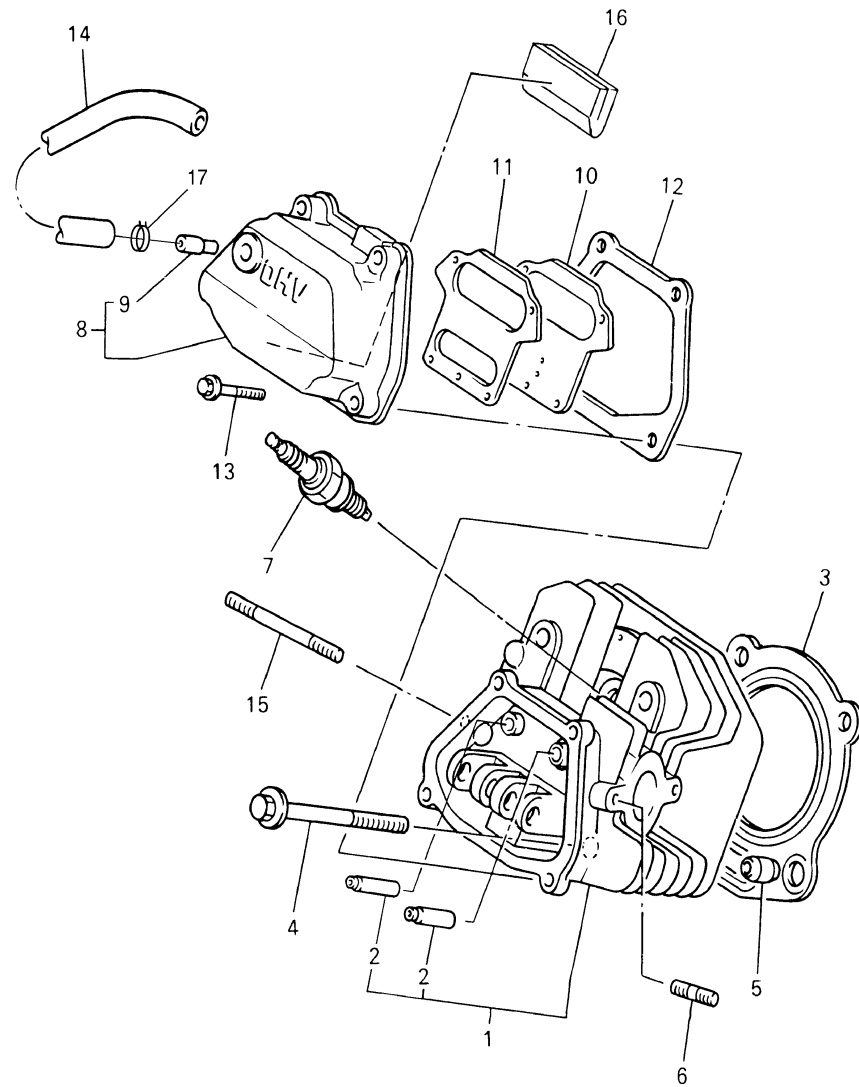
CONTENTS

ACCELERATOR	C2
AIR SHROUD FAN	A6
BODY 1	D1-2
BODY 2	D3-4
BODY FITTING	D5
BRAKE 1	B10-11
BRAKE 2	B12
BRAKE 3	C1
BUMPER	C12
CAMSHAFT VALVE	A5
CARBURETOR	A8
CARRIER	D6
CRANKCASE	A10
CRANKSHAFT PISTON	A4
CYLINDER HEAD	A3
ELECTRICAL 1	D10
ELECTRICAL 2	D11-12
ENGINE ASSEMBLY	A2
ENGINE BRACKET 209201~	A12
ENGINE MOUNT ~209200	A11
EXHAUST	A9
FRAME	B3
FRONT SUSPENSION WHEEL	B4-5
FUEL TANK 209201~	B9
FUEL TANK ~209200	B8
GOVERNOR	C3
INTAKE	A7
OPTIONAL LIGHT KIT	E3
OPTIONAL LIGHT KIT STREAMLINE JU0	E4-5
OPTIONAL SUN ROOF	E2
OPTIONAL WINDSHIELD	E1
PRIMARY SHEAVE JU0-102249~	C5
PRIMARY SHEAVE ~JU0-102248	C4
REAR ARM SUSPENSION 209201~	B2
REAR ARM SUSPENSION ~209200	B1
REAR AXLE MOUNT WHEEL	C10
SEAT	D7
SECONDARY SHEAVE	C6
SHIFTER CABLES	C11
STARTING MOTOR	D8-9
STEERING	B6-7
TRANSMISSION 1	C7-9
~MODELS IN THIS CATALOG	E6



JW41110-C010

CYLINDER HEAD



Ref. No.	Part Number	Description	Qty	Remarks
1	JT0-11111-00-00	HEAD, CYLINDER 1	1	
2	JN6-11133-10-00	. GUIDE, VALVE 1	2	
3	JT0-11181-00-00	GASKET, CYLINDER HEAD 1	1	
4	95817-10070-00	BOLT, FLANGE	4	
5	99530-14016-00	PIN, DOWEL	2	
6	95627-08618-00	BOLT, STUD	2	
7	NGK-BPR4E-S0-00	PLUG, SPARK (NGK BPR4ES)	1	AP, U.S.
	94702-00343-00	PLUG, SPARK (NGK BPR4ES)	1	AP, EUROPE
	94702-00348-00	PLUG, SPARK (NGK BPR2ES)	1	STD, EUROPE
	NGK-BPR2E-S0-00	PLUG, SPARK (NGK BPR2ES)	1	STD, U.S.
8	JN6-11191-01-00	COVER, CYLINDER HEAD 1	1	
9	JN6-11116-00-00	. JOINT, BREATHER	1	
10	JN6-11168-00-00	COVER, BREATHER	1	
11	JN6-11169-00-00	GASKET, BREATHER COVER	1	
12	JN6-11193-00-00	GASKET, HEAD COVER 1	1	
13	95827-06030-00	BOLT, FLANGE	4	
14	JN6-E1166-00-00	PIPE, BREATHER 1	1	
15	95607-08710-00	BOLT, STUD	2	
16	JR7-11163-00-00	ELEMENT	1	
17	90467-13847-00	CLAMP	2	

CONTENTS

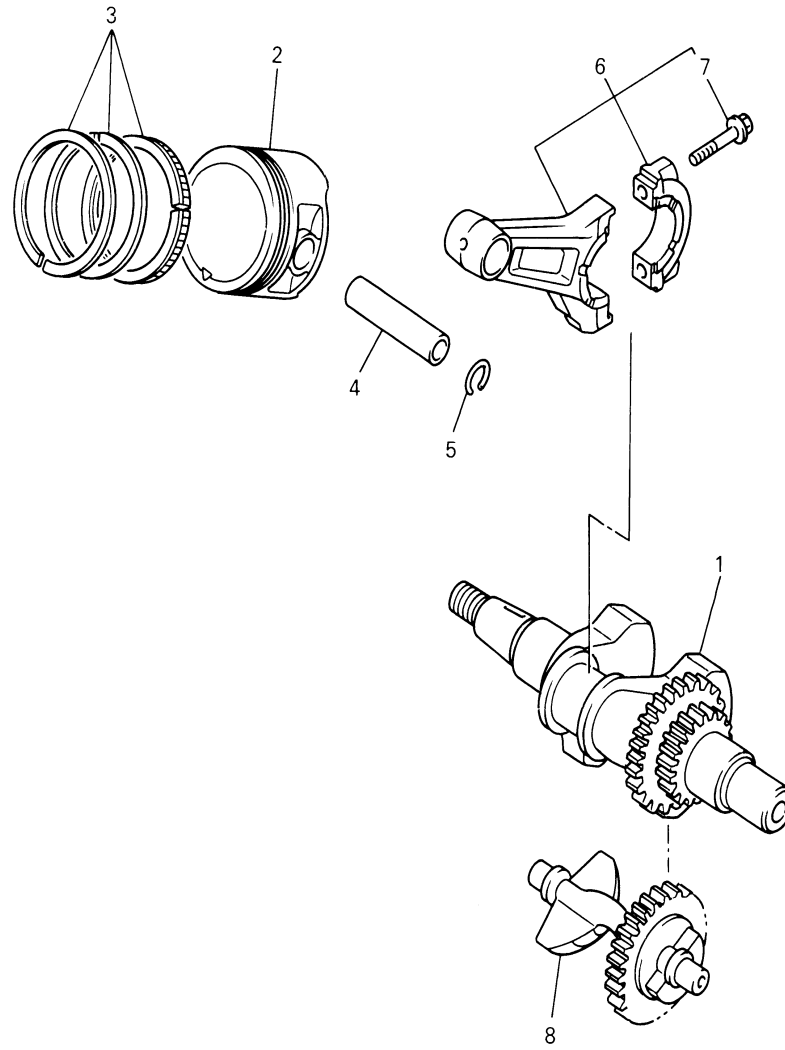
ACCELERATOR	C2
AIR SHROUD FAN	A6
BODY 1	D1-2
BODY 2	D3-4
BODY FITTING	D5
BRAKE 1	B10-11
BRAKE 2	B12
BRAKE 3	C1
BUMPER	C12
CAMSHAFT VALVE	A5
CARBURETOR	A8
CARRIER	D6
CRANKCASE	A10
CRANKSHAFT PISTON	A4
CYLINDER HEAD	A3
ELECTRICAL 1	D10
ELECTRICAL 2	D11-12
ENGINE ASSEMBLY	A2
ENGINE BRACKET 209201~	A12
ENGINE MOUNT ~209200	A11
EXHAUST	A9
FRAME	B3
FRONT SUSPENSION WHEEL	B4-5
FUEL TANK 209201~	B9
FUEL TANK ~209200	B8
GOVERNOR	C3
INTAKE	A7
OPTIONAL LIGHT KIT	E3
OPTIONAL LIGHT KIT	
STREAMLINE JU0	E4-5
OPTIONAL SUN ROOF	E2
OPTIONAL WINDSHIELD	E1
PRIMARY SHEAVE	
JU0-102249~	C5
PRIMARY SHEAVE	
~JU0-102248	C4
REAR ARM SUSPENSION	
209201~	B2
REAR ARM SUSPENSION	
~209200	B1
REAR AXLE MOUNT WHEEL	C10
SEAT	D7
SECONDARY SHEAVE	C6
SHIFTER CABLES	C11
STARTING MOTOR	D8-9
STEERING	B6-7
TRANSMISSION 1	C7-9
~MODELS IN THIS CATALOG	E6



JT01010-0011

CRANKSHAFT PISTON

Ref. No.	Part Number	Description	Qty	Remarks
1	JN6-11400-00-00	CRANKSHAFT ASSY	1	
2	JR7-11631-00-A0	PISTON (STD)	1	
	JR7-11635-00-00	PISTON (0.25MM O/S)	1	AP
	JR7-11636-00-00	PISTON (0.50MM O/S)	1	AP
3	JR7-11610-00-00	PISTON RING SET (STD)	1	
	JR7-11610-10-00	PISTON RING SET (0.25MM O/S)	1	AP
	JR7-11610-20-00	PISTON RING SET (0.50MM O/S)	1	AP
4	583-11633-00-00	PIN, PISTON	1	
5	93450-21053-00	CIRCLIP	2	
6	JN6-11650-00-00	CONNECTING ROD ASSY	1	
7	JN6-11654-00-00	. BOLT, CONNECTING ROD ..	2	
8	JN6-11454-00-00	WEIGHT 1	1	



CONTENTS

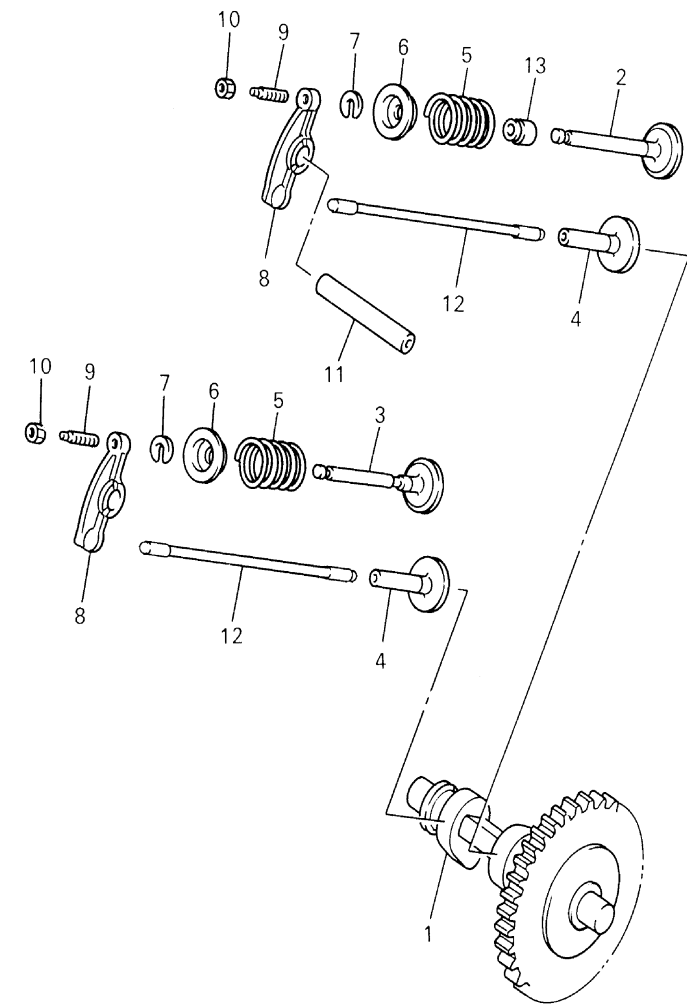
ACCELERATOR	C2
AIR SHROUD FAN	A6
BODY 1	D1-2
BODY 2	D3-4
BODY FITTING	D5
BRAKE 1	B10-11
BRAKE 2	B12
BRAKE 3	C1
BUMPER	C12
CAMSHAFT VALVE	A5
CARBURETOR	A8
CARRIER	D6
CRANKCASE	A10
CRANKSHAFT PISTON	A4
CYLINDER HEAD	A3
ELECTRICAL 1	D10
ELECTRICAL 2	D11-12
ENGINE ASSEMBLY	A2
ENGINE BRACKET 209201~	A12
ENGINE MOUNT ~209200	A11
EXHAUST	A9
FRAME	B3
FRONT SUSPENSION WHEEL	B4-5
FUEL TANK 209201~	B9
FUEL TANK ~209200	B8
GOVERNOR	C3
INTAKE	A7
OPTIONAL LIGHT KIT	E3
OPTIONAL LIGHT KIT	
STREAMLINE JU0	E4-5
OPTIONAL SUN ROOF	E2
OPTIONAL WINDSHIELD	E1
PRIMARY SHEAVE	
JU0-102249~	C5
PRIMARY SHEAVE	
~JU0-102248	C4
REAR ARM SUSPENSION	
209201~	B2
REAR ARM SUSPENSION	
~209200	B1
REAR AXLE MOUNT WHEEL	C10
SEAT	D7
SECONDARY SHEAVE	C6
SHIFTER CABLES	C11
STARTING MOTOR	D8-9
STEERING	B6-7
TRANSMISSION 1	C7-9
~MODELS IN THIS CATALOG	E6



JN7010-6020

CAMSHAFT VALVE

Ref. No.	Part Number	Description	Qty	Remarks
1	JR7-12170-00-00	CAMSHAFT ASSY 1	1	
2	JN6-12111-01-00	VALVE, INTAKE	1	
3	7RH-12121-00-00	VALVE, EXHAUST	1	
4	JN6-12153-00-00	LIFTER, VALVE	2	
5	90501-264A9-00	SPRING, COMPRESSION	2	
6	J38-12117-01-00	RETAINER, VALVE SPRING ..	2	
7	J38-12118-00-00	COTTER, VALVE	2	
8	JN6-12151-00-00	ARM, VALVE ROCKER	2	
9	22F-12159-00-00	SCREW, VALVE ADJUSTING ..	2	
10	90170-05302-00	NUT	2	
11	J38-12156-00-00	SHAFT, ROCKER 2	1	
12	JR7-12154-01-00	ROD, VALVE PUSH	2	
13	4G0-12119-00-00	SEAL, VALVE STEM	1	



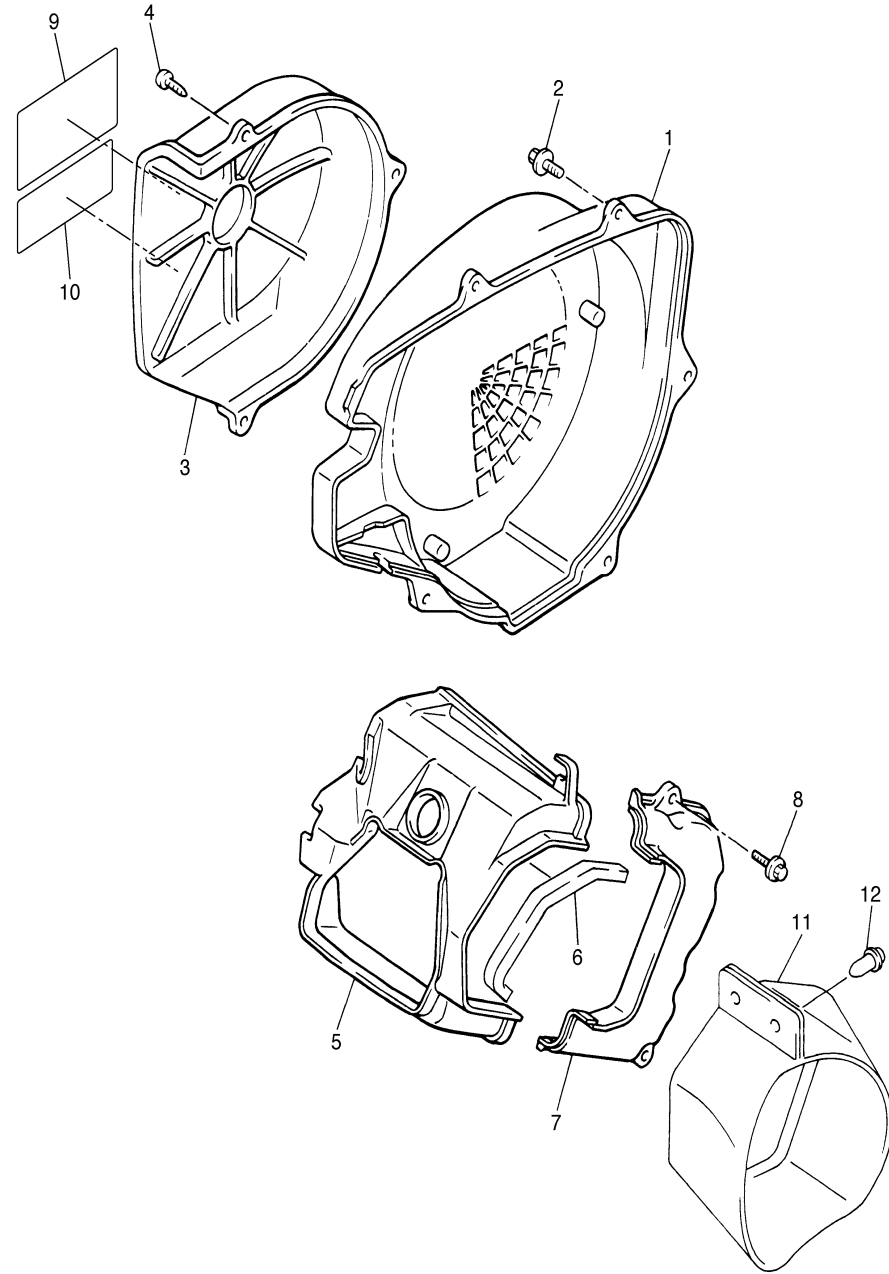
CONTENTS

ACCELERATOR	C2
AIR SHROUD FAN	A6
BODY 1	D1-2
BODY 2	D3-4
BODY FITTING	D5
BRAKE 1	B10-11
BRAKE 2	B12
BRAKE 3	C1
BUMPER	C12
CAMSHAFT VALVE	A5
CARBURETOR	A8
CARRIER	D6
CRANKCASE	A10
CRANKSHAFT PISTON	A4
CYLINDER HEAD	A3
ELECTRICAL 1	D10
ELECTRICAL 2	D11-12
ENGINE ASSEMBLY	A2
ENGINE BRACKET 209201~	A12
ENGINE MOUNT ~209200	A11
EXHAUST	A9
FRAME	B3
FRONT SUSPENSION WHEEL	B4-5
FUEL TANK 209201~	B9
FUEL TANK ~209200	B8
GOVERNOR	C3
INTAKE	A7
OPTIONAL LIGHT KIT	E3
OPTIONAL LIGHT KIT	E3
STREAMLINE JU0	E4-5
OPTIONAL SUN ROOF	E2
OPTIONAL WINDSHIELD	E1
PRIMARY SHEAVE	
JU0-102249~	C5
PRIMARY SHEAVE	
~JU0-102248	C4
REAR ARM SUSPENSION	
209201~	B2
REAR ARM SUSPENSION	
~209200	B1
REAR AXLE MOUNT WHEEL	C10
SEAT	D7
SECONDARY SHEAVE	C6
SHIFTER CABLES	C11
STARTING MOTOR	D8-9
STEERING	B6-7
TRANSMISSION 1	C7-9
~MODELS IN THIS CATALOG	E6



JT01010-0030

AIR SHROUD FAN



Ref. No.	Part Number	Description	Qty	Remarks
1	JN6-12621-02-00	CASE, FAN	1	
2	95807-06020-00	BOLT, FLANGE	5	
3	JN6-12616-00-00	COVER, FAN CASE	1	
4	97707-60520-00	SCREW, TAPPING	3	
5	JN6-12651-00-00	AIR SHROUD, CYLINDER 1 ...	1	
6	JR7-12658-00-00	DAMPER, AIR SHROUD 1	1	
7	JN6-12652-00-00	AIR SHROUD, CYLINDER 2 ...	1	
8	95807-06020-00	BOLT, FLANGE	2	
9	JR6-2179R-01-00	PLATE, EPA 2 (CALIFORNIA) .	1	
10	7UH-2111F-00-00	LABEL, EMISSION	1	
11	JN6-E2691-00-00	DUCT, 1	1	
12	90269-08813-00	RIVET	2	

CONTENTS

ACCELERATOR	C2
AIR SHROUD FAN	A6
BODY 1	D1-2
BODY 2	D3-4
BODY FITTING	D5
BRAKE 1	B10-11
BRAKE 2	B12
BRAKE 3	C1
BUMPER	C12
CAMSHAFT VALVE	A5
CARBURETOR	A8
CARRIER	D6
CRANKCASE	A10
CRANKSHAFT PISTON	A4
CYLINDER HEAD	A3
ELECTRICAL 1	D10
ELECTRICAL 2	D11-12
ENGINE ASSEMBLY	A2
ENGINE BRACKET 209201~	A12
ENGINE MOUNT ~209200	A11
EXHAUST	A9
FRAME	B3
FRONT SUSPENSION WHEEL	B4-5
FUEL TANK 209201~	B9
FUEL TANK ~209200	B8
GOVERNOR	C3
INTAKE	A7
OPTIONAL LIGHT KIT	E3
OPTIONAL LIGHT KIT	
STREAMLINE JU0	E4-5
OPTIONAL SUN ROOF	E2
OPTIONAL WINDSHIELD	E1
PRIMARY SHEAVE	
JU0-102249~	C5
PRIMARY SHEAVE	
~JU0-102248	C4
REAR ARM SUSPENSION	
209201~	B2
REAR ARM SUSPENSION	
~209200	B1
REAR AXLE MOUNT WHEEL	C10
SEAT	D7
SECONDARY SHEAVE	C6
SHIFTER CABLES	C11
STARTING MOTOR	D8-9
STEERING	B6-7
TRANSMISSION 1	C7-9
~MODELS IN THIS CATALOG	E6



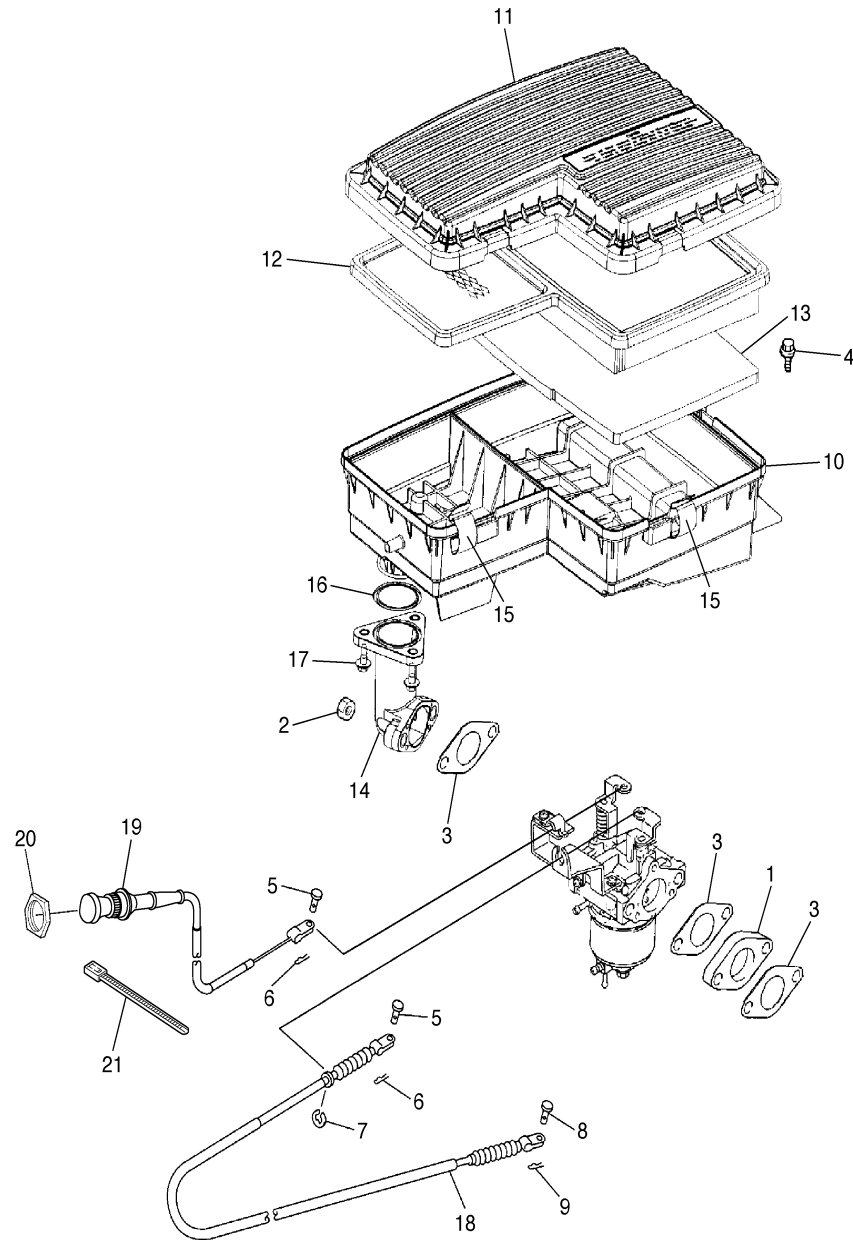
JW41110-C050

INTAKE

Ref. No.	Part Number	Description	Qty	Remarks
1	JN6-13595-00-00	JOINT	1	
2	95707-08500-00	NUT, FLANGE	2	
3	JN6-13567-00-00	GASKET	3	
4	90119-06838-00	BOLT, WITH WASHER	2	
5	91701-05010-00	PIN, CLEVIS	2	
6	90468-10049-00	CLIP	2	
7	99001-07600-00	CIRCLIP	1	
8	91701-05010-00	PIN, CLEVIS	1	
9	90468-10050-00	CLIP	1	
10	JN6-E4411-02-00	CASE, AIR CLEANER 1	1	~JU0-209200
	JU0-E4411-00-00	CASE, AIR CLEANER 1	1	JU0-202901~
11	JN6-E4412-01-00	CAP, CLEANER CASE 1	1	~JU0-209200
	JU0-E4412-00-00	CAP, CLEANER CASE 1	1	JU0-209201~
12	JN6-E4450-01-00	ELEMENT ASSY, AIR CLEANER	1	~JU0-209200
	JU0-E4450-00-00	ELEMENT ASSY, AIR CLEANER	1	JU0-209201~
13	JN6-E445E-00-00	FILTER 1	1	~JU0-209200
	JU0-E445E-00-00	FILTER 1	1	JU0-209201~
14	JN6-E3586-01-00	JOINT, CARBURETOR 1	1	~JU0-209200
	JU0-E3586-00-00	JOINT, CARBURETOR 1	1	JU0-209201~
15	JN6-E4424-00-00	CLIP, CAP FITTING	5	~JU0-209200
	5UH-E4424-00-00	CLIP, CAP FITTING	5	JU0-209201~
16	93210-398D6-00	O-RING	1	
17	90105-06862-00	BOLT, FLANGE	3	
18	JN6-F6312-01-00	CABLE, THROTTLE 2	1	~JU0-209200
	JU0-F6312-00-00	CABLE, THROTTLE 2	1	JU0-209201~
19	JN6-F6331-11-00	CABLE, STARTER 1	1	~JU0-209200
	JU0-F6331-00-00	CABLE, STARTER 1	1	JU0-202901
20	JN6-F6333-10-00	NUT	1	
21	90464-31827-00	CLAMP	1	

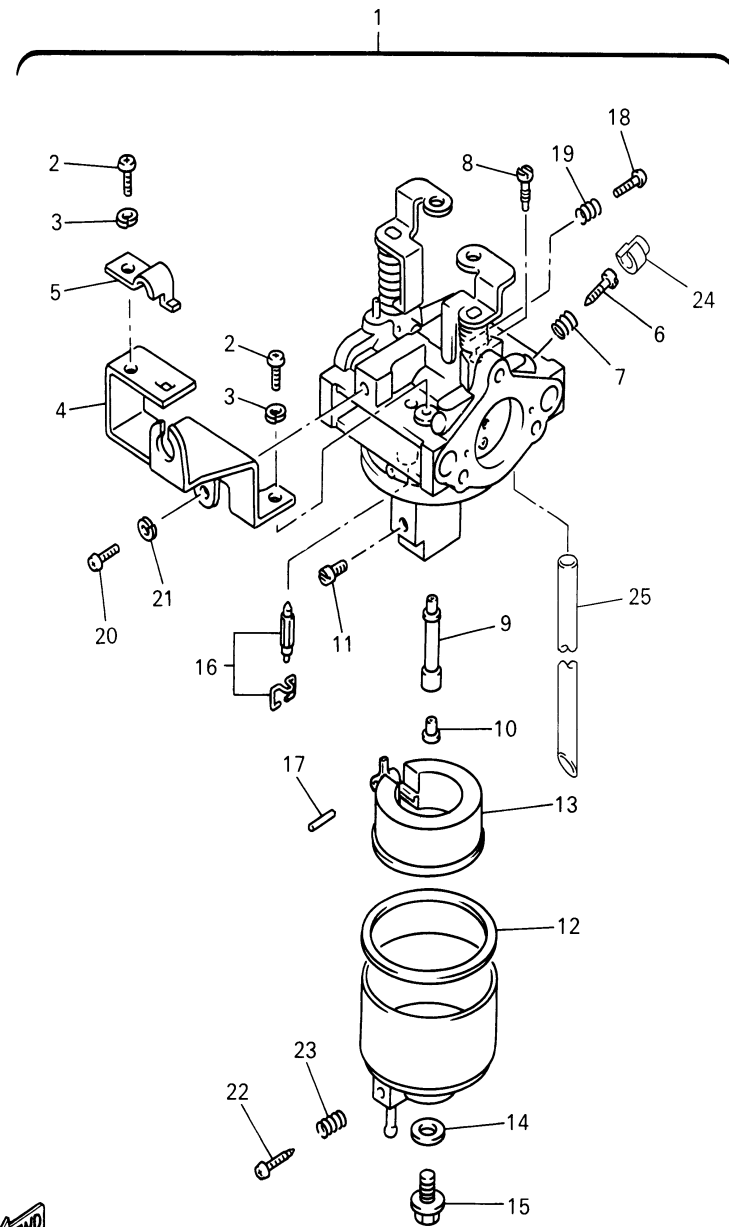
CONTENTS

ACCELERATOR	C2
AIR SHROUD FAN	A6
BODY 1	D1-2
BODY 2	D3-4
BODY FITTING	D5
BRAKE 1	B10-11
BRAKE 2	B12
BRAKE 3	C1
BUMPER	C12
CAMSHAFT VALVE	A5
CARBURETOR	A8
CARRIER	D6
CRANKCASE	A10
CRANKSHAFT PISTON	A4
CYLINDER HEAD	A3
ELECTRICAL 1	D10
ELECTRICAL 2	D11-12
ENGINE ASSEMBLY	A2
ENGINE BRACKET 209201~	A12
ENGINE MOUNT ~209200	A11
EXHAUST	A9
FRAME	B3
FRONT SUSPENSION WHEEL	B4-5
FUEL TANK 209201~	B9
FUEL TANK ~209200	B8
GOVERNOR	C3
INTAKE	A7
OPTIONAL LIGHT KIT	E3
OPTIONAL LIGHT KIT	E4-5
STREAMLINE JU0	
OPTIONAL SUN ROOF	E2
OPTIONAL WINDSHIELD	E1
PRIMARY SHEAVE	
JU0-102249~	C5
PRIMARY SHEAVE	
~JU0-102248	C4
REAR ARM SUSPENSION	
209201~	B2
REAR ARM SUSPENSION	
~209200	B1
REAR AXLE MOUNT WHEEL	C10
SEAT	D7
SECONDARY SHEAVE	C6
SHIFTER CABLES	C11
STARTING MOTOR	D8-9
STEERING	B6-7
TRANSMISSION 1	C7-9
~MODELS IN THIS CATALOG	E6



JW51110-C060

CARBURETOR



JR61100-1060

Ref. No.	Part Number	Description	Qty	Remarks
1	JR6-14101-00-00	CARBURETOR ASSY 1	1	
2	98507-05008-00	. SCREW, PAN HEAD	2	
3	92990-05100-00	. WASHER, SPRING	2	
4	JN6-14291-00-00	. BRACKET 1	1	
5	J10-14227-00-00	. PLATE	1	
6	7NJ-14211-00-00	. SCREW, PILOT ADJUSTING	1	
7	73A-14212-10-00	. SPRING	1	
8	732-14142-65-A0	. JET, PILOT (# 65)	1	
9	JN6-1495H-3B-00	. NOZZLE, MAIN	1	
10	73A-1414G-00-00	. PIPE, MAIN BLEED	1	
11	3G2-1423A-67-00	. JET, MAIN (# 82.5)	1	AP
	3G2-1423A-68-A0	. JET, MAIN (# 87.5)	1	STD
	3G2-1423E-33-A0	. JET, MAIN (# 83.8)	1	AP
12	796-14184-00-00	. GASKET, FLOAT CHAMBER	1	
13	JN6-14185-00-00	. FLOAT	1	
14	127-14198-00-00	. GASKET	1	
15	7R1-14162-00-00	. BOLT, HOLDING	1	
16	JN5-14150-00-00	. NEEDLE ASSY (WITH CLIP)	1	
17	22F-14186-00-00	. PIN, FLOAT	1	
18	1WG-14922-00-00	. SCREW, THROTTLE	1	
19	73A-14212-10-00	. SPRING	1	
20	98507-04010-00	. SCREW, PAN HEAD	1	
21	92902-04100-00	. WASHER, SPRING	1	
22	7E1-14191-00-00	. PLUG, DRAIN	1	
23	73A-14212-00-00	. SPRING	1	
24	7LV-14118-00-00	. CAP	1	
25	1KT-14197-01-00	. PIPE	1	

CONTENTS

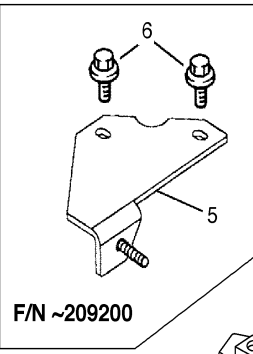
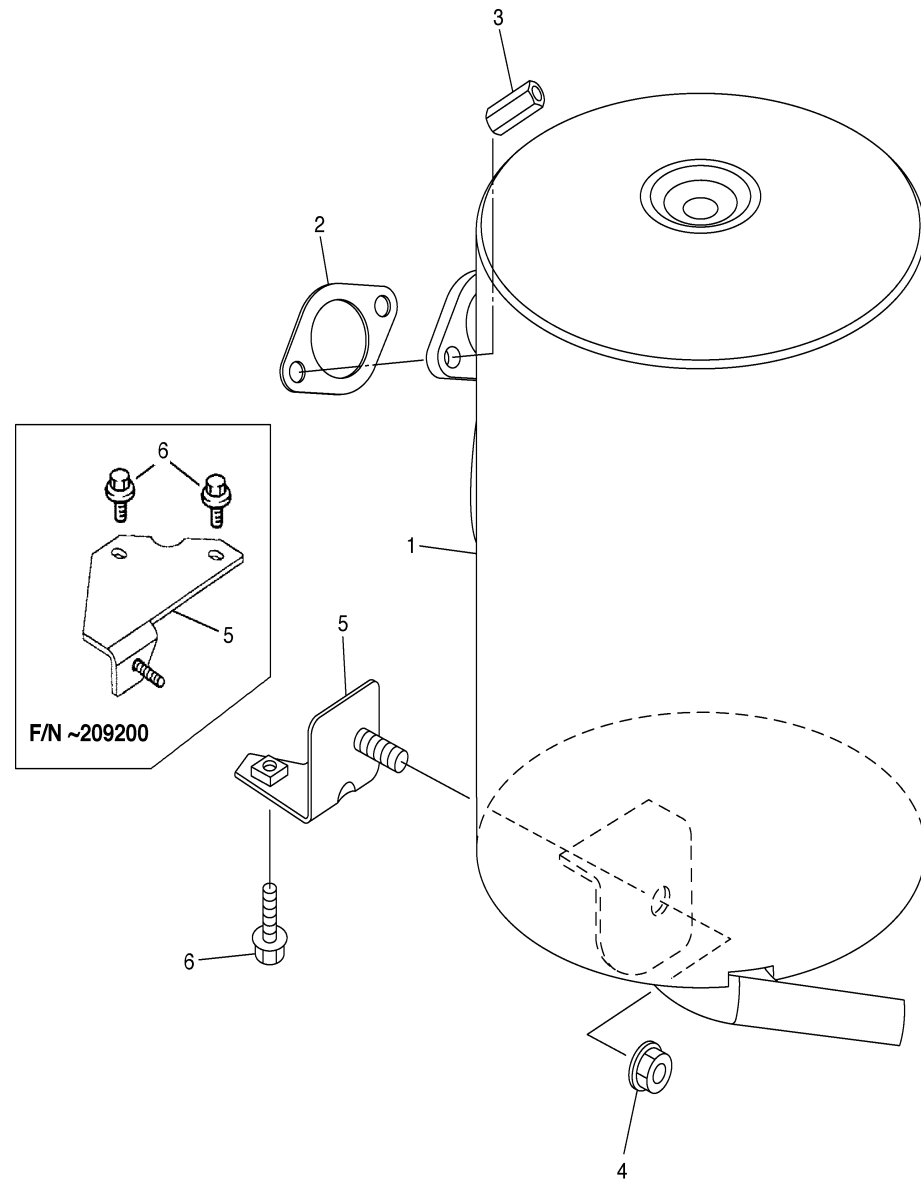
ACCELERATOR	C2
AIR SHROUD FAN	A6
BODY 1	D1-2
BODY 2	D3-4
BODY FITTING	D5
BRAKE 1	B10-11
BRAKE 2	B12
BRAKE 3	C1
BUMPER	C12
CAMSHAFT VALVE	A5
CARBURETOR	A8
CARRIER	D6
CRANKCASE	A10
CRANKSHAFT PISTON	A4
CYLINDER HEAD	A3
ELECTRICAL 1	D10
ELECTRICAL 2	D11-12
ENGINE ASSEMBLY	A2
ENGINE BRACKET 209201~	A12
ENGINE MOUNT ~209200	A11
EXHAUST	A9
FRAME	B3
FRONT SUSPENSION WHEEL	B4-5
FUEL TANK 209201~	B9
FUEL TANK ~209200	B8
GOVERNOR	C3
INTAKE	A7
OPTIONAL LIGHT KIT	E3
OPTIONAL LIGHT KIT	
STREAMLINE JU0	E4-5
OPTIONAL SUN ROOF	E2
OPTIONAL WINDSHIELD	E1
PRIMARY SHEAVE	
JU0-102249~	C5
PRIMARY SHEAVE	
~JU0-102248	C4
REAR ARM SUSPENSION	
209201~	B2
REAR ARM SUSPENSION	
~209200	B1
REAR AXLE MOUNT WHEEL	C10
SEAT	D7
SECONDARY SHEAVE	C6
SHIFTER CABLES	C11
STARTING MOTOR	D8-9
STEERING	B6-7
TRANSMISSION 1	C7-9
~MODELS IN THIS CATALOG	E6

EXHAUST

Ref. No.	Part Number	Description	Qty	Remarks
1	JN6-E4710-00-00	MUFFLER ASSY 1	1	~209200
	JU0-E4710-10-00	MUFFLER ASSY 1	1	209201~
2	7KY-14613-01-00	GASKET, EXHAUST 1	1	
3	90179-08879-00	NUT	2	
4	90185-08841-00	NUT, SELF-LOCKING	1	
5	JN6-F1435-10-00	BRACKET, MUFLER 2	1	~209200
	JU0-F1436-00-00	BRACKET, MUFLER 2	1	209201~
6	90119-08825-00	BOLT, WITH WASHER	1	209201~
	90119-08825-00	BOLT, WITH WASHER	2	~209200

CONTENTS

ACCELERATOR	C2
AIR SHROUD FAN	A6
BODY 1	D1-2
BODY 2	D3-4
BODY FITTING	D5
BRAKE 1	B10-11
BRAKE 2	B12
BRAKE 3	C1
BUMPER	C12
CAMSHAFT VALVE	A5
CARBURETOR	A8
CARRIER	D6
CRANKCASE	A10
CRANKSHAFT PISTON	A4
CYLINDER HEAD	A3
ELECTRICAL 1	D10
ELECTRICAL 2	D11-12
ENGINE ASSEMBLY	A2
ENGINE BRACKET 209201~	A12
ENGINE MOUNT ~209200	A11
EXHAUST	A9
FRAME	B3
FRONT SUSPENSION WHEEL	B4-5
FUEL TANK 209201~	B9
FUEL TANK ~209200	B8
GOVERNOR	C3
INTAKE	A7
OPTIONAL LIGHT KIT	E3
OPTIONAL LIGHT KIT	
STREAMLINE JU0	E4-5
OPTIONAL SUN ROOF	E2
OPTIONAL WINDSHIELD	E1
PRIMARY SHEAVE	
JU0-102249~	C5
~JU0-102248	C4
REAR ARM SUSPENSION	
209201~	B2
~209200	B1
REAR AXLE MOUNT WHEEL	C10
SEAT	D7
SECONDARY SHEAVE	C6
SHIFTER CABLES	C11
STARTING MOTOR	D8-9
STEERING	B6-7
TRANSMISSION 1	C7-9
~MODELS IN THIS CATALOG	E6



F/N ~209200



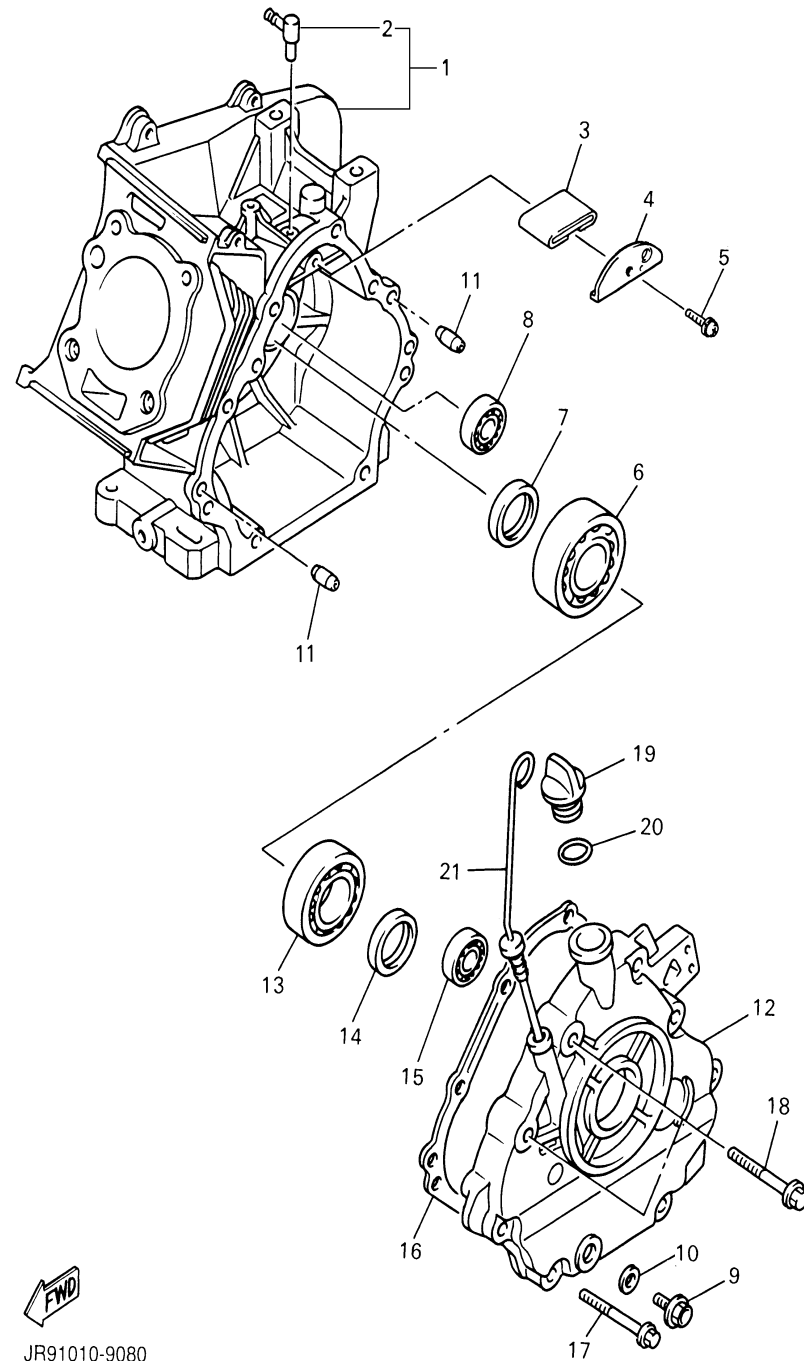
JU02100-D080

CRANKCASE

Ref. No.	Part Number	Description	Qty	Remarks
1	JR7-15100-00-00	CRANKCASE ASSY	1	
2	JN6-15155-00-00	. NOZZLE 3	1	
3	JR7-15407-00-00	ELEMENT 1	1	
4	JR7-15123-00-00	PLATE, BAFFLE 1	1	
5	90159-06107-00	SCREW, WITH WASHER	1	
6	93306-30709-00	BEARING	1	
7	93102-35014-00	OIL SEAL	1	
8	93306-20201-00	BEARING	1	
9	90340-12097-00	PLUG, STRAIGHT SCREW	1	
10	812-11198-00-00	GASKET	1	
11	99530-08016-00	PIN, DOWEL	2	
12	JN6-15411-00-00	COVER, CRANKCASE 1	1	~JU0-290200
	JN6-15411-01-00	COVER, CRANKCASE 1	1	JU0-290201~
13	93306-20714-00	BEARING	1	
14	93102-35014-00	OIL SEAL	1	
15	93306-20201-00	BEARING	1	
16	JN6-15451-02-00	GASKET, CRANKCASE COVER 1	1	
17	95817-08045-00	BOLT, FLANGE	6	
18	95817-10050-00	BOLT, FLANGE	2	
19	796-15363-01-00	PLUG, OIL	1	
20	93210-22344-00	O-RING	1	
21	J38-15361-00-00	GAUGE, LEVEL	1	

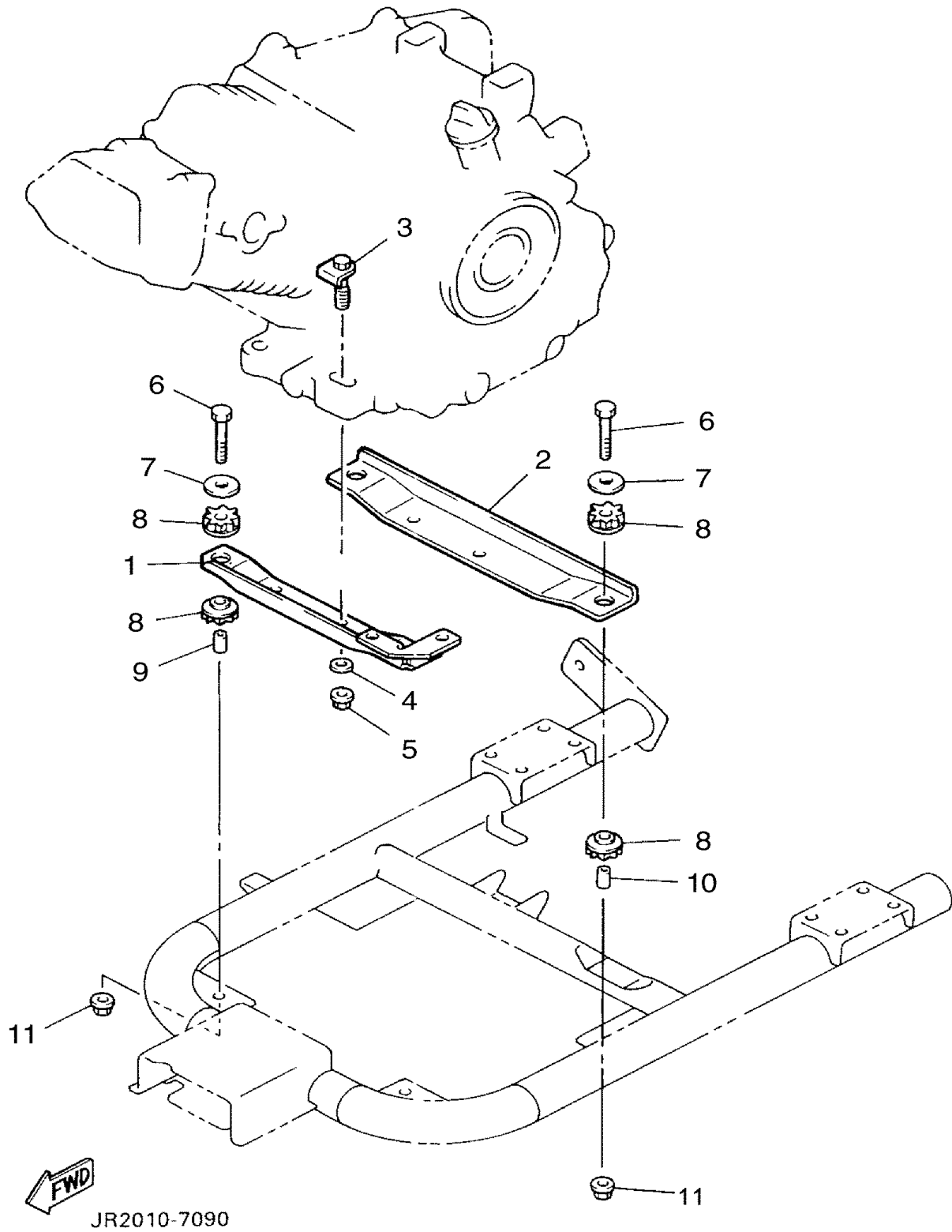
CONTENTS

ACCELERATOR	C2
AIR SHROUD FAN	A6
BODY 1	D1-2
BODY 2	D3-4
BODY FITTING	D5
BRAKE 1	B10-11
BRAKE 2	B12
BRAKE 3	C1
BUMPER	C12
CAMSHAFT VALVE	A5
CARBURETOR	A8
CARRIER	D6
CRANKCASE	A10
CRANKSHAFT PISTON	A4
CYLINDER HEAD	A3
ELECTRICAL 1	D10
ELECTRICAL 2	D11-12
ENGINE ASSEMBLY	A2
ENGINE BRACKET 209201~	A12
ENGINE MOUNT ~209200	A11
EXHAUST	A9
FRAME	B3
FRONT SUSPENSION WHEEL	B4-5
FUEL TANK 209201~	B9
FUEL TANK ~209200	B8
GOVERNOR	C3
INTAKE	A7
OPTIONAL LIGHT KIT	E3
OPTIONAL LIGHT KIT STREAMLINE JU0	E4-5
OPTIONAL SUN ROOF	E2
OPTIONAL WINDSHIELD	E1
PRIMARY SHEAVE JU0-102249~	C5
PRIMARY SHEAVE ~JU0-102248	C4
REAR ARM SUSPENSION 209201~	B2
REAR ARM SUSPENSION ~209200	B1
REAR AXLE MOUNT WHEEL	C10
SEAT	D7
SECONDARY SHEAVE	C6
SHIFTER CABLES	C11
STARTING MOTOR	D8-9
STEERING	B6-7
TRANSMISSION 1	C7-9
~MODELS IN THIS CATALOG	E6



JR91010-9080

ENGINE MOUNT ~209200



Ref. No.	Part Number	Description	Qty	Remarks
1	JN6-F1411-00-00	BRACKET, ENGINE 1	1	
2	JN6-F1419-02-00	BRACKET, ENGINE 2	1	
3	JN6-F1481-00-00	BOLT, ENGINE MOUNTING 1	4	
4	92907-10200-00	WASHER, PLAIN	4	
5	95607-10200-00	NUT, U FLANGE	4	
6	90101-08870-00	BOLT	4	
7	90201-088K6-00	WASHER, PLATE	4	
8	JN6-F1486-00-00	DAMPER, 2	8	
9	JN6-F1459-00-00	SPACER	2	
10	JN6-F1459-10-00	SPACER	2	
11	90185-08169-00	NUT, SELF-LOCKING	4	

CONTENTS

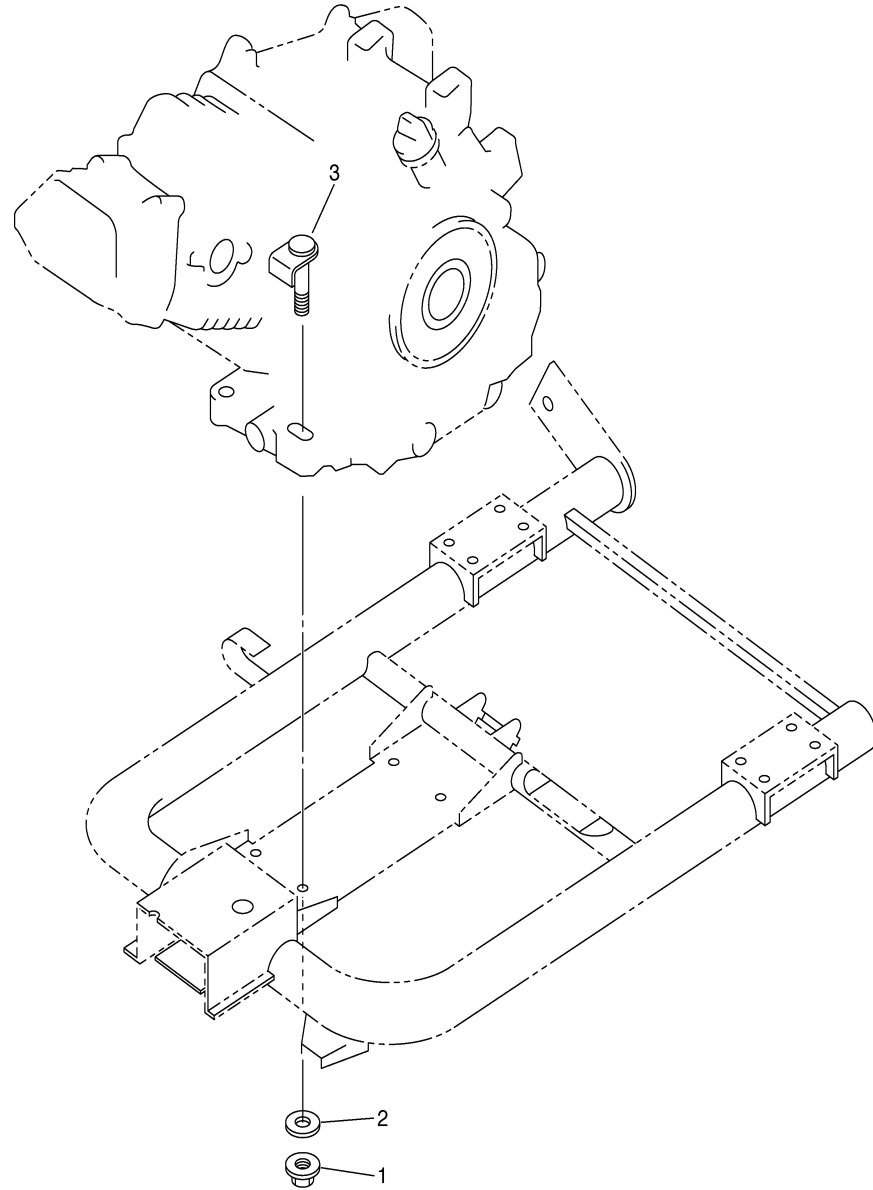
ACCELERATOR	C2
AIR SHROUD FAN	A6
BODY 1	D1-2
BODY 2	D3-4
BODY FITTING	D5
BRAKE 1	B10-11
BRAKE 2	B12
BRAKE 3	C1
BUMPER	C12
CAMSHAFT VALVE	A5
CARBURETOR	A8
CARRIER	D6
CRANKCASE	A10
CRANKSHAFT PISTON	A4
CYLINDER HEAD	A3
ELECTRICAL 1	D10
ELECTRICAL 2	D11-12
ENGINE ASSEMBLY	A2
ENGINE BRACKET 209201~	A12
ENGINE MOUNT ~209200	A11
EXHAUST	A9
FRAME	B3
FRONT SUSPENSION WHEEL	B4-5
FUEL TANK 209201~	B9
FUEL TANK ~209200	B8
GOVERNOR	C3
INTAKE	A7
OPTIONAL LIGHT KIT	E3
OPTIONAL LIGHT KIT	
STREAMLINE JU0	E4-5
OPTIONAL SUN ROOF	E2
OPTIONAL WINDSHIELD	E1
PRIMARY SHEAVE	
JU0-102249~	C5
PRIMARY SHEAVE	
~JU0-102248	C4
REAR ARM SUSPENSION	
209201~	B2
REAR ARM SUSPENSION	
~209200	B1
REAR AXLE MOUNT WHEEL	C10
SEAT	D7
SECONDARY SHEAVE	C6
SHIFTER CABLES	C11
STARTING MOTOR	D8-9
STEERING	B6-7
TRANSMISSION 1	C7-9
~MODELS IN THIS CATALOG	E6

ENGINE BRACKET 209201~

Ref. No.	Part Number	Description	Qty	Remarks
1	9560P-10200-00	NUT, FLANGE	4	
2	9290P-10200-00	WASHER	4	
3	JT0-21481-00-00	BOLT, ENGINE MOUNTING 1 .	4	

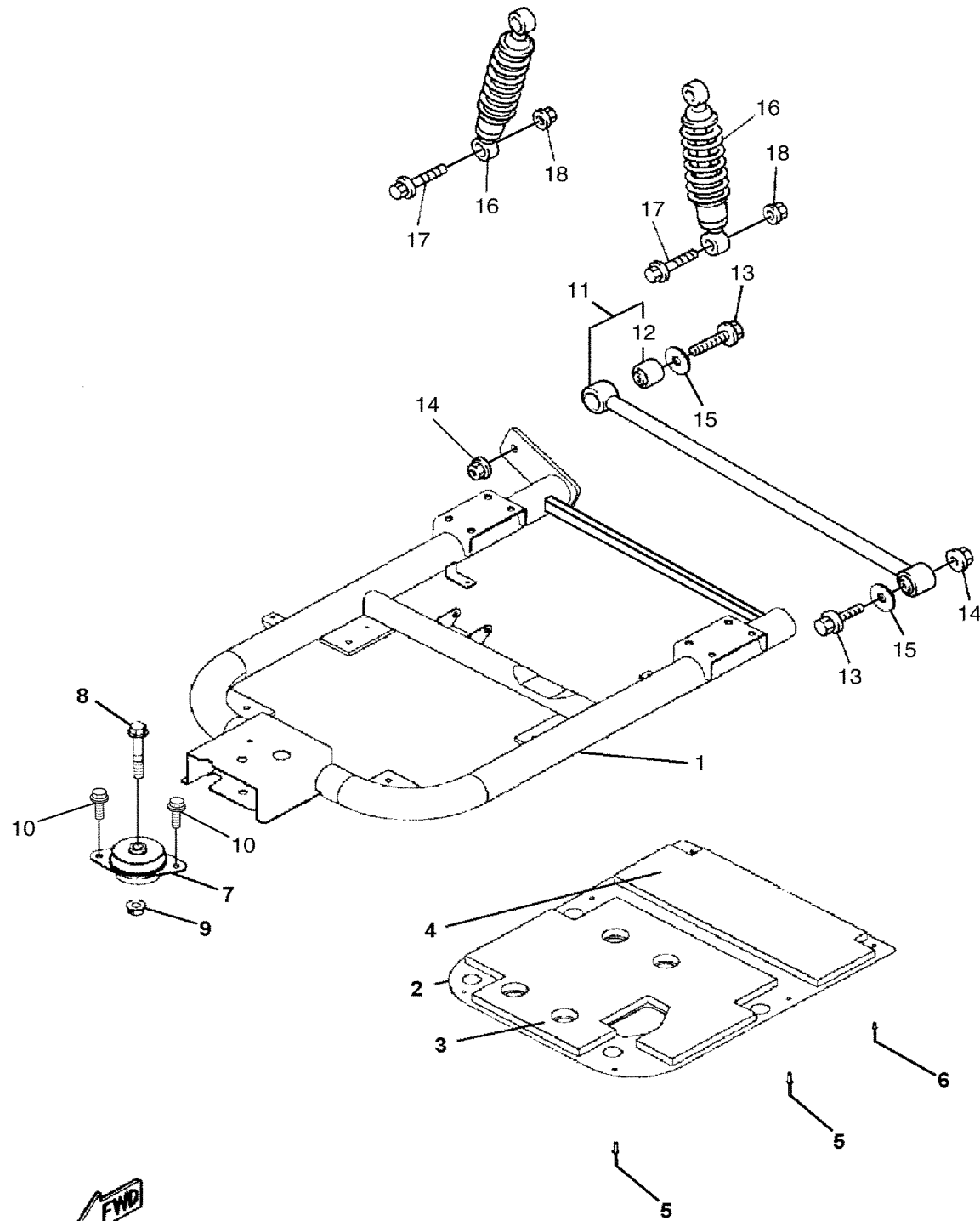
CONTENTS

ACCELERATOR	C2
AIR SHROUD FAN	A6
BODY 1	D1-2
BODY 2	D3-4
BODY FITTING	D5
BRAKE 1	B10-11
BRAKE 2	B12
BRAKE 3	C1
BUMPER	C12
CAMSHAFT VALVE	A5
CARBURETOR	A8
CARRIER	D6
CRANKCASE	A10
CRANKSHAFT PISTON	A4
CYLINDER HEAD	A3
ELECTRICAL 1	D10
ELECTRICAL 2	D11-12
ENGINE ASSEMBLY	A2
ENGINE BRACKET 209201~	A12
ENGINE MOUNT ~209200	A11
EXHAUST	A9
FRAME	B3
FRONT SUSPENSION WHEEL	B4-5
FUEL TANK 209201~	B9
FUEL TANK ~209200	B8
GOVERNOR	C3
INTAKE	A7
OPTIONAL LIGHT KIT	E3
OPTIONAL LIGHT KIT	E3
STREAMLINE JU0	E4-5
OPTIONAL SUN ROOF	E2
OPTIONAL WINDSHIELD	E1
PRIMARY SHEAVE	
JU0-102249~	C5
PRIMARY SHEAVE	
~JU0-102248	C4
REAR ARM SUSPENSION	
209201~	B2
REAR ARM SUSPENSION	
~209200	B1
REAR AXLE MOUNT WHEEL	C10
SEAT	D7
SECONDARY SHEAVE	C6
SHIFTER CABLES	C11
STARTING MOTOR	D8-9
STEERING	B6-7
TRANSMISSION 1	C7-9
~MODELS IN THIS CATALOG	E6



JU02100-D100

REAR ARM SUSPENSION ~209200



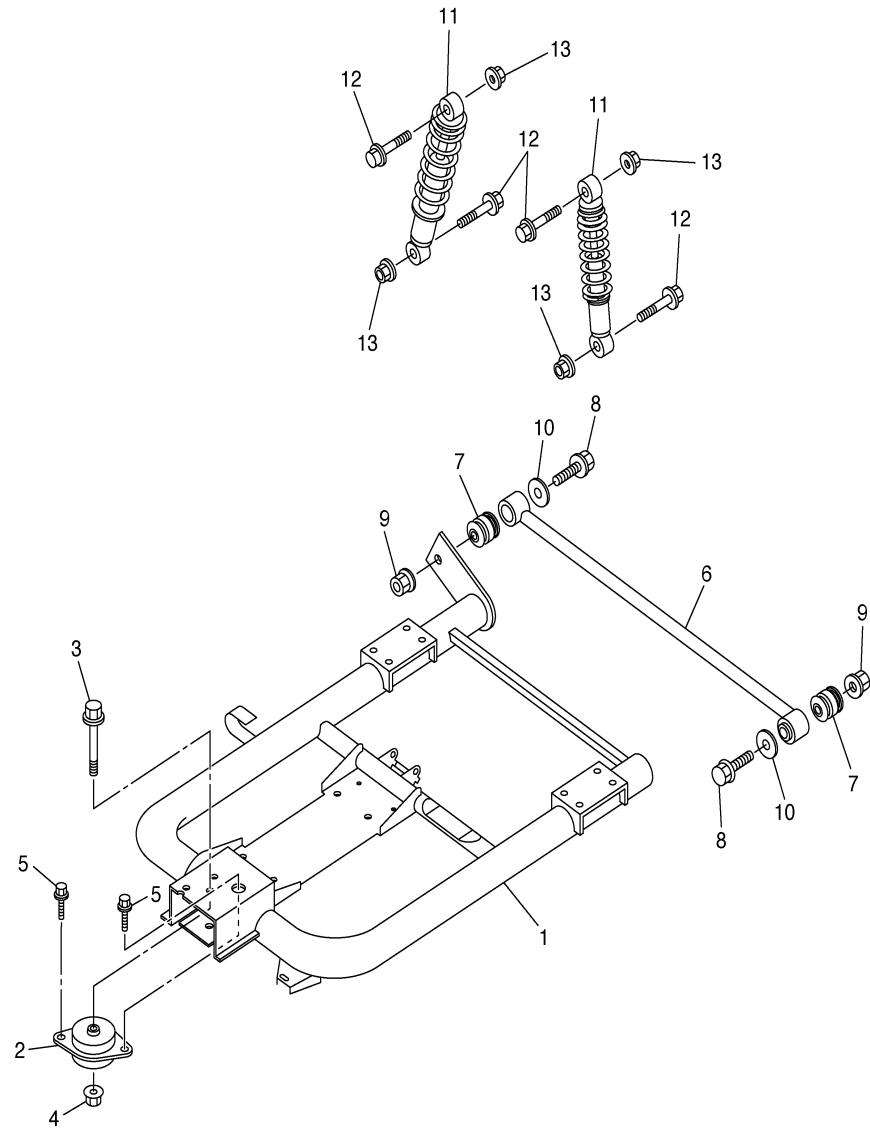
Ref. No.	Part Number	Description	Qty	Remarks
1	JU0-F2110-00-00	REAR ARM COMP.	1	
2	JN6-F2128-01-00	COVER, THRUST 1	1	
3	JN6-F211E-01-00	PANEL, INNER 1	1	
4	JN6-F211G-01-00	PANEL, INNER 2	1	
5	90267-48850-00	RIVET, BLIND	4	
6	90267-40851-00	RIVET, BLIND	2	
7	JN6-F2123-01-00	BUSH 1	1	
8	90105-13864-00	BOLT, FLANGE	1	
9	90179-13878-00	NUT	1	
10	9751P-10620-00	BOLT, WITH WASHER	2	
11	JN6-F217G-00-00	ROD, CONNECTING 2	1	
12	JN6-F2124-00-00	BUSHING 2	2	
13	95817-12055-00	BOLT, FLANGE	2	
14	95617-12200-00	NUT, SELF-LOCKING	2	
15	90201-12426-00	WASHER, PLATE	2	
16	JN4-F2210-00-00	SHOCK ABSORBER ASSY, REAR	2	
17	95817-10055-00	BOLT, FLANGE	4	
18	95607-10200-00	NUT, U FLANGE	4	

CONTENTS

ACCELERATOR	C2
AIR SHROUD FAN	A6
BODY 1	D1-2
BODY 2	D3-4
BODY FITTING	D5
BRAKE 1	B10-11
BRAKE 2	B12
BRAKE 3	C1
BUMPER	C12
CAMSHAFT VALVE	A5
CARBURETOR	A8
CARRIER	D6
CRANKCASE	A10
CRANKSHAFT PISTON	A4
CYLINDER HEAD	A3
ELECTRICAL 1	D10
ELECTRICAL 2	D11-12
ENGINE ASSEMBLY	A2
ENGINE BRACKET 209201~	A12
ENGINE MOUNT ~209200	A11
EXHAUST	A9
FRAME	B3
FRONT SUSPENSION WHEEL	B4-5
FUEL TANK 209201~	B9
FUEL TANK ~209200	B8
GOVERNOR	C3
INTAKE	A7
OPTIONAL LIGHT KIT	E3
OPTIONAL LIGHT KIT	
STREAMLINE JU0	E4-5
OPTIONAL SUN ROOF	E2
OPTIONAL WINDSHIELD	E1
PRIMARY SHEAVE	
JU0-102249~	C5
PRIMARY SHEAVE	
~JU0-102248	C4
REAR ARM SUSPENSION	
209201~	B2
REAR ARM SUSPENSION	
~209200	B1
REAR AXLE MOUNT WHEEL	C10
SEAT	D7
SECONDARY SHEAVE	C6
SHIFTER CABLES	C11
STARTING MOTOR	D8-9
STEERING	B6-7
TRANSMISSION 1	C7-9
~MODELS IN THIS CATALOG	E6

B1

REAR ARM SUSPENSION 209201~



JU02100-D110

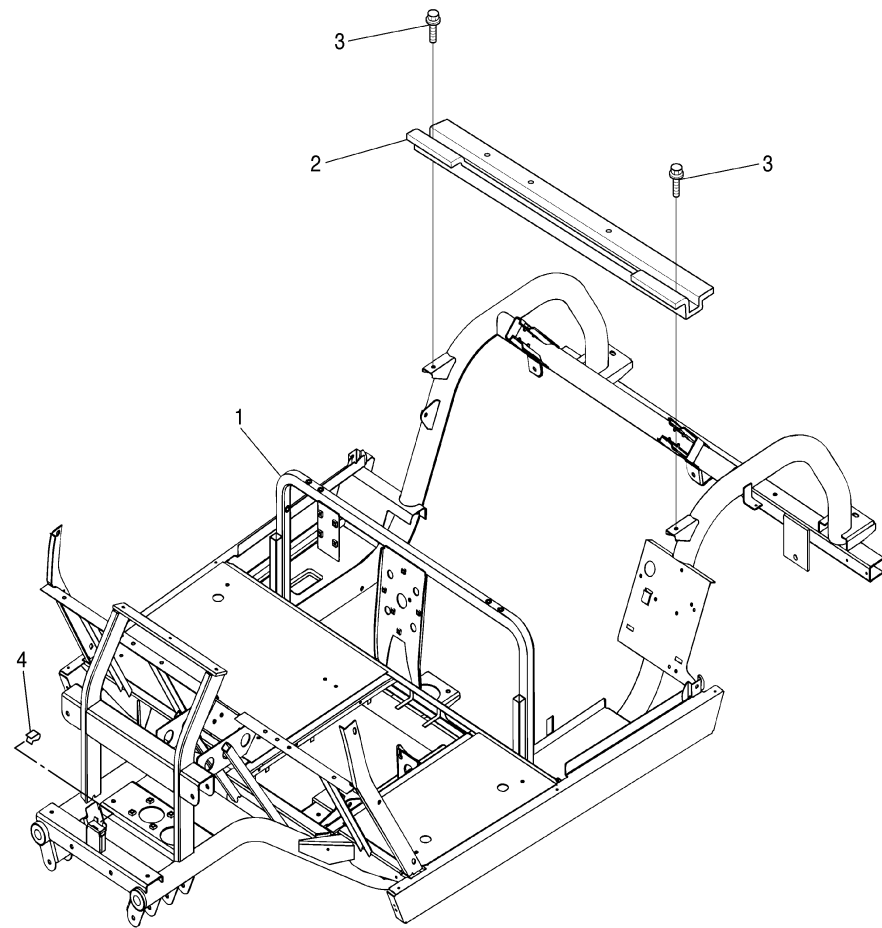
Ref. No.	Part Number	Description	Qty	Remarks
1	JU0-F2110-10-00	REAR ARM COMP.	1	
2	JN6-F2123-10-00	BUSH 1	1	
3	90105-13864-00	BOLT, FLANGE	1	
4	90179-13878-00	NUT	1	
5	9751P-10620-00	BOLT, WITH WASHER	2	
6	JN6-F2172-00-00	ROD, CONNECTING 2	1	
7	JN6-F2124-10-00	. BUSH 2	2	
8	9581P-12065-00	BOLT, FLANGE	2	
9	9560P-12200-00	NUT, FLANGE	2	
10	90201-128S4-00	WASHER, PLATE	2	
11	JN4-F2210-00-00	SHOCK ABSORBER ASSY, REAR	2	
12	95807-10055-00	BOLT, FLANGE	4	
13	95607-10200-00	NUT, U FLANGE	4	

CONTENTS

ACCELERATOR	C2
AIR SHROUD FAN	A6
BODY 1	D1-2
BODY 2	D3-4
BODY FITTING	D5
BRAKE 1	B10-11
BRAKE 2	B12
BRAKE 3	C1
BUMPER	C12
CAMSHAFT VALVE	A5
CARBURETOR	A8
CARRIER	D6
CRANKCASE	A10
CRANKSHAFT PISTON	A4
CYLINDER HEAD	A3
ELECTRICAL 1	D10
ELECTRICAL 2	D11-12
ENGINE ASSEMBLY	A2
ENGINE BRACKET 209201~	A12
ENGINE MOUNT ~209200	A11
EXHAUST	A9
FRAME	B3
FRONT SUSPENSION WHEEL	B4-5
FUEL TANK 209201~	B9
FUEL TANK ~209200	B8
GOVERNOR	C3
INTAKE	A7
OPTIONAL LIGHT KIT	E3
OPTIONAL LIGHT KIT STREAMLINE JU0	E4-5
OPTIONAL SUN ROOF	E2
OPTIONAL WINDSHIELD	E1
PRIMARY SHEAVE JU0-102249~	C5
PRIMARY SHEAVE ~JU0-102248	C4
REAR ARM SUSPENSION 209201~	B2
REAR ARM SUSPENSION ~209200	B1
REAR AXLE MOUNT WHEEL	C10
SEAT	D7
SECONDARY SHEAVE	C6
SHIFTER CABLES	C11
STARTING MOTOR	D8-9
STEERING	B6-7
TRANSMISSION 1	C7-9
~MODELS IN THIS CATALOG	E6

FRAME

Ref. No.	Part Number	Description	Qty	Remarks
1	JU0-F2501-00-00	FRAME COMP.	1	
2	JU0-F254R-00-00	SUPPORT, BODY MOUNTING .	1	
3	95807-08016-00	BOLT, FLANGE	2	
4	JU0-F2567-00-00	SUPPORT 1	1	



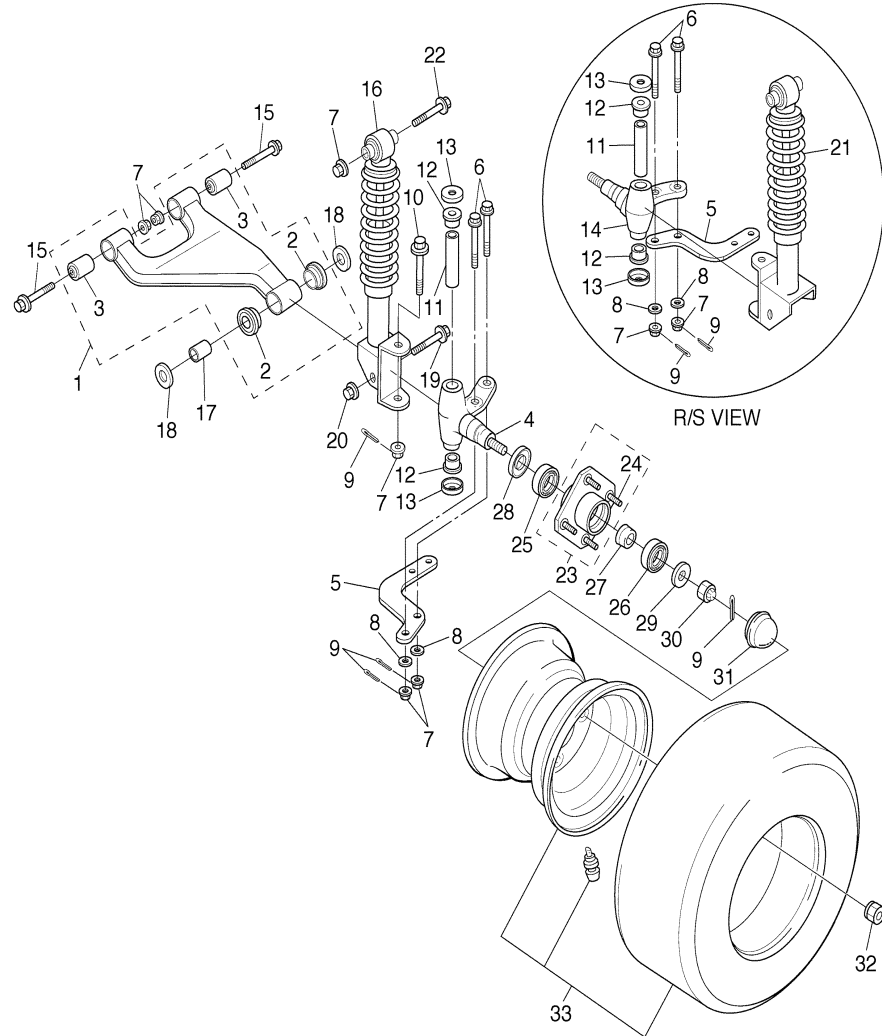
CONTENTS

ACCELERATOR	C2
AIR SHROUD FAN	A6
BODY 1	D1-2
BODY 2	D3-4
BODY FITTING	D5
BRAKE 1	B10-11
BRAKE 2	B12
BRAKE 3	C1
BUMPER	C12
CAMSHAFT VALVE	A5
CARBURETOR	A8
CARRIER	D6
CRANKCASE	A10
CRANKSHAFT PISTON	A4
CYLINDER HEAD	A3
ELECTRICAL 1	D10
ELECTRICAL 2	D11-12
ENGINE ASSEMBLY	A2
ENGINE BRACKET 209201~	A12
ENGINE MOUNT ~209200	A11
EXHAUST	A9
FRAME	B3
FRONT SUSPENSION WHEEL	B4-5
FUEL TANK 209201~	B9
FUEL TANK ~209200	B8
GOVERNOR	C3
INTAKE	A7
OPTIONAL LIGHT KIT	E3
OPTIONAL LIGHT KIT	E3
STREAMLINE JU0	E4-5
OPTIONAL SUN ROOF	E2
OPTIONAL WINDSHIELD	E1
PRIMARY SHEAVE	
JU0-102249~	C5
PRIMARY SHEAVE	
~JU0-102248	C4
REAR ARM SUSPENSION	
209201~	B2
REAR ARM SUSPENSION	
~209200	B1
REAR AXLE MOUNT WHEEL	C10
SEAT	D7
SECONDARY SHEAVE	C6
SHIFTER CABLES	C11
STARTING MOTOR	D8-9
STEERING	B6-7
TRANSMISSION 1	C7-9
~MODELS IN THIS CATALOG	E6



JU02100-D120

FRONT SUSPENSION WHEEL



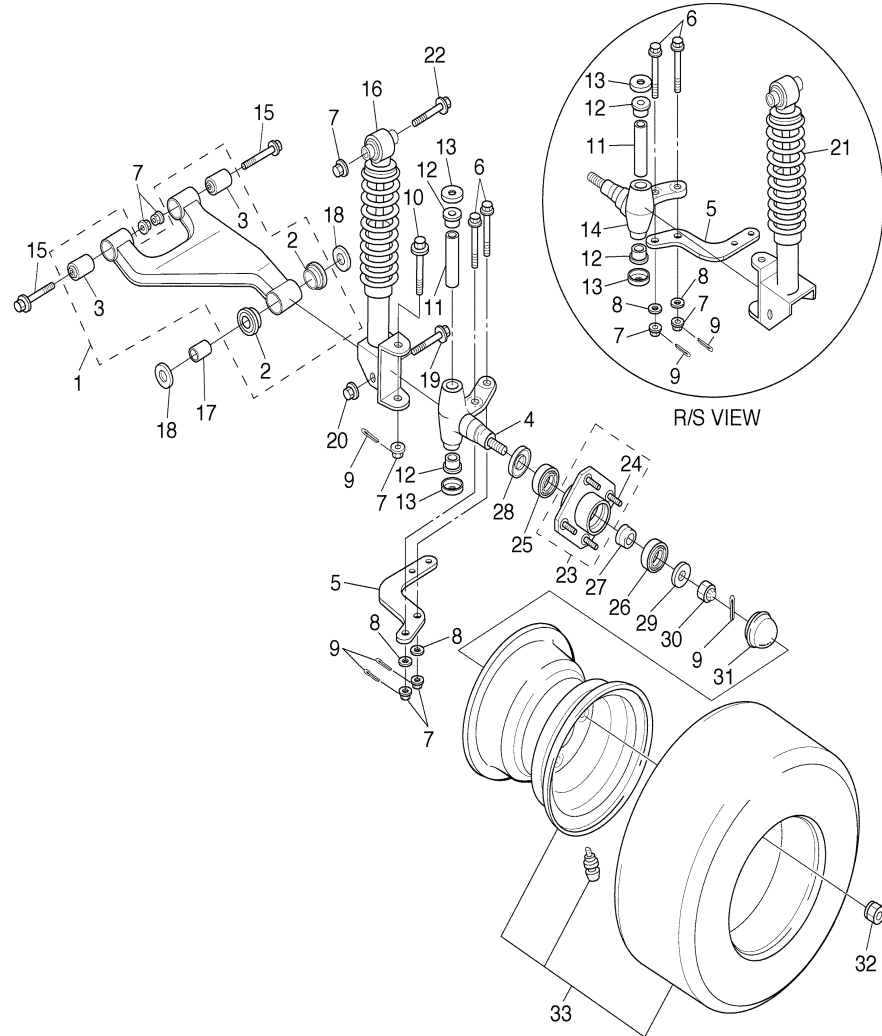
Ref. No.	Part Number	Description	Qty	Remarks
1	JU0-F3570-20-00	FRONT LOWER ARM COMP. . .	2	
2	90381-18001-00	. BUSH, SOLID	2	
3	2HR-23526-00-00	. BUSH	2	
4	JU0-F3511-00-00	KNUCKLE, STEERING 1	1	
5	JU0-F3512-01-00	ARM, KNUCKLE 1	2	UR ~JU0-307651
	JU0-F3512-02-00	ARM, KNUCKLE 1	2	UR JU0-307650~
6	90105-10728-00	BOLT, FLANGE	4	
7	95607-10200-00	NUT, U FLANGE	12	
8	90201-108P8-00	WASHER, PLATE	4	UR ~JU0-307651
9	91401-25020-00	PIN, COTTER	8	
10	90105-10064-00	BOLT, FLANGE	2	
11	2NL-23448-00-00	SPACER	2	
12	90381-17067-00	BUSH, SOLID	4	
13	2NL-23517-00-00	COVER, THRUST 1	4	
14	JU0-F3521-00-00	KNUCKLE, STEERING 2	1	
15	90105-10890-00	BOLT, FLANGE	4	
16	JU0-F3350-20-00	SHOCK ABSORBER ASSY . . .	1	
17	90387-12016-00	COLLAR	2	
18	401-22128-01-00	COVER, THRUST 1	4	
19	95817-12080-00	BOLT, FLANGE	2	
20	9561P-12100-00	NUT	2	
21	JU0-F3390-20-00	SHOCK ABSORBER ASSY 2 . .	1	
22	95807-10065-00	BOLT, FLANGE	2	
23	JG5-WF511-10-00	HUB, FRONT	2	
24	90114-12800-00	. BOLT, SERRATION	4	
25	93306-204X0-00	BEARING	2	
26	93306-005Y3-00	BEARING	2	
27	90387-241M7-00	COLLAR	2	
28	93102-30083-00	OIL SEAL	2	
29	90209-32832-00	WASHER	2	

CONTENTS

ACCELERATOR	C2
AIR SHROUD FAN	A6
BODY 1	D1-2
BODY 2	D3-4
BODY FITTING	D5
BRAKE 1	B10-11
BRAKE 2	B12
BRAKE 3	C1
BUMPER	C12
CAMSHAFT VALVE	A5
CARBURETOR	A8
CARRIER	D6
CRANKCASE	A10
CRANKSHAFT PISTON	A4
CYLINDER HEAD	A3
ELECTRICAL 1	D10
ELECTRICAL 2	D11-12
ENGINE ASSEMBLY	A2
ENGINE BRACKET 209201~	A12
ENGINE MOUNT ~209200	A11
EXHAUST	A9
FRAME	B3
FRONT SUSPENSION WHEEL	B4-5
FUEL TANK 209201~	B9
FUEL TANK ~209200	B8
GOVERNOR	C3
INTAKE	A7
OPTIONAL LIGHT KIT	E3
OPTIONAL LIGHT KIT STREAMLINE JU0	E4-5
OPTIONAL SUN ROOF	E2
OPTIONAL WINDSHIELD	E1
PRIMARY SHEAVE JU0-102249~	C5
PRIMARY SHEAVE ~JU0-102248	C4
REAR ARM SUSPENSION 209201~	B2
REAR ARM SUSPENSION ~209200	B1
REAR AXLE MOUNT WHEEL	C10
SEAT	D7
SECONDARY SHEAVE	C6
SHIFTER CABLES	C11
STARTING MOTOR	D8-9
STEERING	B6-7
TRANSMISSION 1	C7-9
~MODELS IN THIS CATALOG	E6

CONTINUED ON NEXT FRAME ►

FRONT SUSPENSION WHEEL



Ref. No.	Part Number	Description	Qty	Remarks
30	95607-14100-00	NUT, U	2	
31	JN6-F5118-00-00	COVER, HUB DUST	2	
32	90179-12262-00	NUT	8	
33	JN6-F5100-11-00	WHEEL ASSY (18X8.5-8 4PR) .	2	UR KENDA
	JU0-F5100-00-00	WHEEL ASSY (18X8.5-8 4PR) .	2	UR MAXXIS PRORIDE
	JN6-F5100-30-00	WHEEL ASSY (18X8.5-8 4PR) .	2	CHROME WHEEL FOR LE

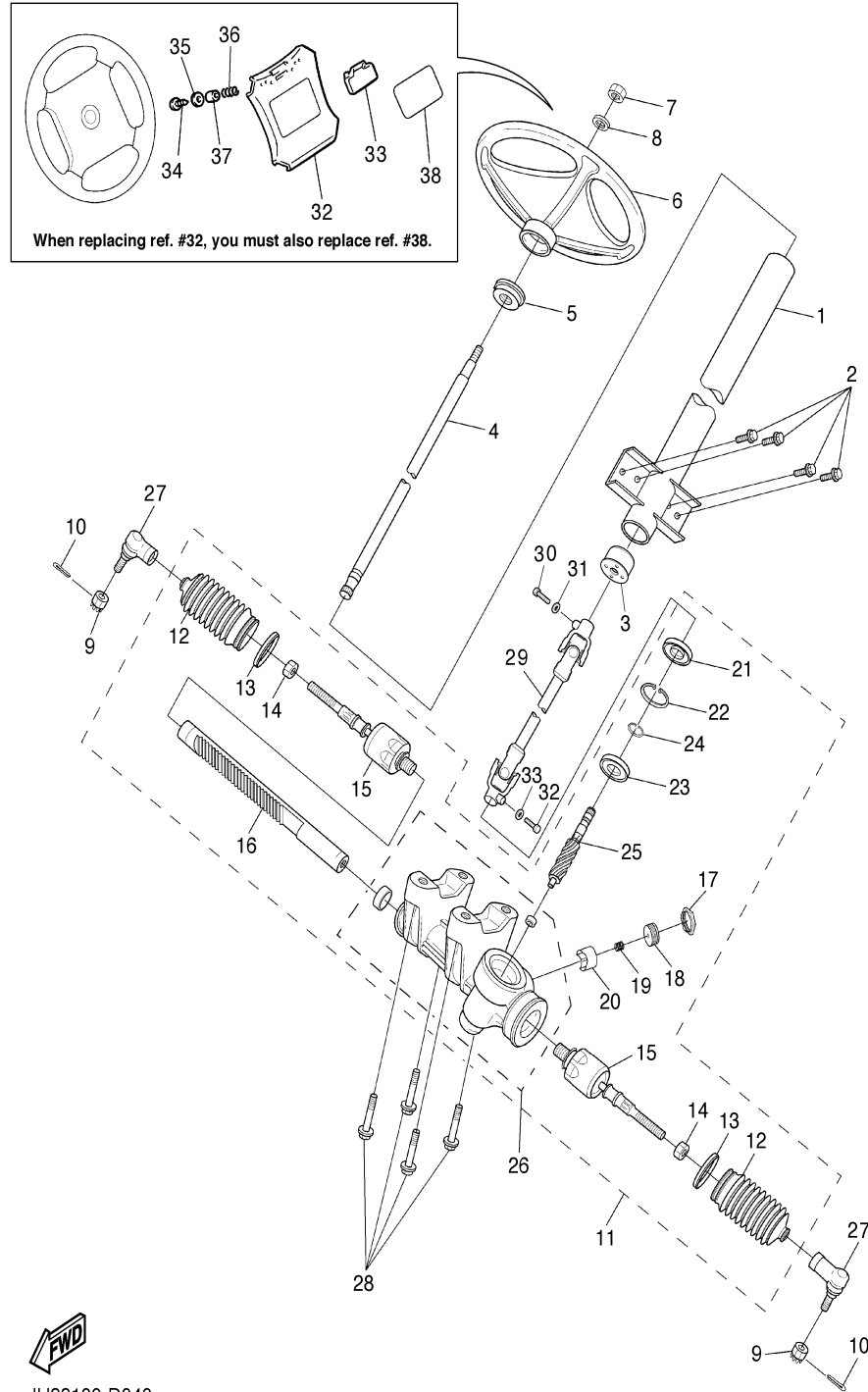
CONTENTS

ACCELERATOR	C2
AIR SHROUD FAN	A6
BODY 1	D1-2
BODY 2	D3-4
BODY FITTING	D5
BRAKE 1	B10-11
BRAKE 2	B12
BRAKE 3	C1
BUMPER	C12
CAMSHAFT VALVE	A5
CARBURETOR	A8
CARRIER	D6
CRANKCASE	A10
CRANKSHAFT PISTON	A4
CYLINDER HEAD	A3
ELECTRICAL 1	D10
ELECTRICAL 2	D11-12
ENGINE ASSEMBLY	A2
ENGINE BRACKET 209201~	A12
ENGINE MOUNT ~209200	A11
EXHAUST	A9
FRAME	B3
FRONT SUSPENSION WHEEL	B4-5
FUEL TANK 209201~	B9
FUEL TANK ~209200	B8
GOVERNOR	C3
INTAKE	A7
OPTIONAL LIGHT KIT	E3
OPTIONAL LIGHT KIT	E4-5
STREAMLINE JU0	E2
OPTIONAL SUN ROOF	E1
OPTIONAL WINDSHIELD	E1
PRIMARY SHEAVE	C5
JU0-102249~	C5
PRIMARY SHEAVE	C4
~JU0-102248	C4
REAR ARM SUSPENSION	B2
209201~	B2
REAR ARM SUSPENSION	B1
~209200	B1
REAR AXLE MOUNT WHEEL	C10
SEAT	D7
SECONDARY SHEAVE	C6
SHIFTER CABLES	C11
STARTING MOTOR	D8-9
STEERING	B6-7
TRANSMISSION 1	C7-9
~MODELS IN THIS CATALOG	E6



JT73010-C120

STEERING



JU22100-D040

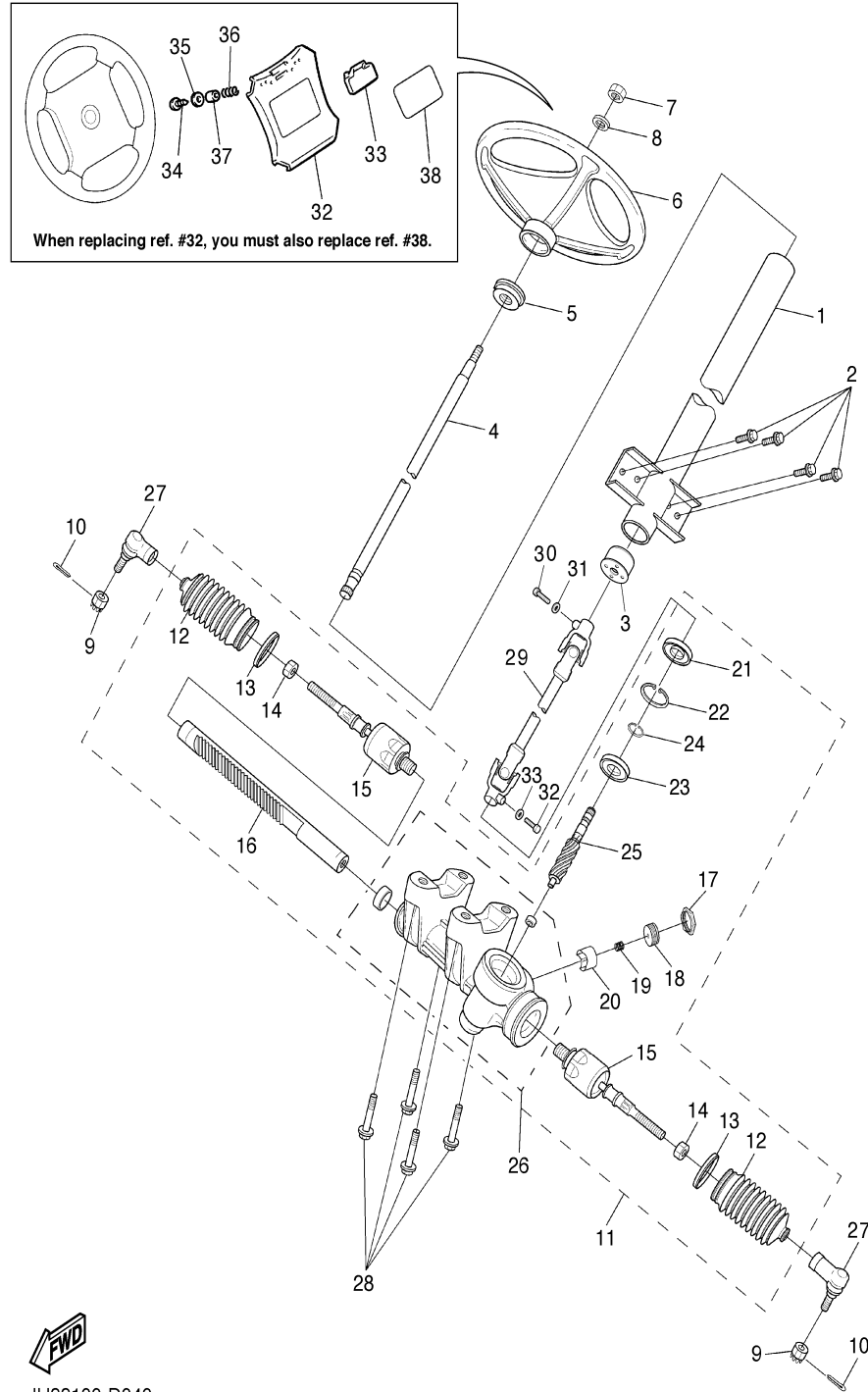
Ref. No.	Part Number	Description	Qty	Remarks
1	JU0-F3811-00-00	COLUMN, STEERING	1	
2	9581P-08016-00	BOLT, FLANGE	4	
3	JU0-F3857-00-00	HOLDER	1	
4	JU0-F3828-00-00	ROD, STEERING	1	
5	JN3-F3814-00-00	HOLDER, HANDLE UPPER	1	
6	JN3-F3838-00-00	WHEEL, STEERING	1	
7	90185-12061-00	NUT, SELF-LOCKING	1	
8	9290P-12200-00	WASHER	1	
9	95607-12200-00	NUT, SELF-LOCKING	2	
10	91401-25020-00	PIN, COTTER	2	
11	JU0-F3400-00-00	STEERING ASSY	1	
12	JU0-F3848-00-00	. BOOT	2	
13	JU0-F1338-00-00	. CLAMP	2	
14	JU0-F3833-00-00	. NUT 1	2	
15	JU0-F3837-00-00	. ROD, TIE 2	2	
16	JU0-F387E-00-00	. GEAR, RACK	1	
17	JU0-F3834-00-00	. NUT 2	1	
18	JU0-F387G-00-00	. COVER, ADJUST	1	
19	JU0-F387K-00-00	. SPRING, PRESSURE	1	
20	JU0-F387F-00-00	. PAD, PRESSURE	1	
21	JU0-F3844-00-00	. SEAL	1	
22	JU0-F387J-00-00	. RING, STOPPER	1	
23	JU0-F339Y-00-00	. BEARING	1	
24	JU0-F3183-00-00	. CIRCLIP	1	
25	JU0-F387A-00-00	. GEAR, PINION	1	
26	JU0-F620A-00-00	. HOUSING, MAIN 1	1	
27	JU0-F3841-00-00	JOINT, UNIVERSAL 1	2	
28	90105-10810-00	BOLT, FLANGE	4	
29	JU0-F3822-00-00	JOINT 1	1	
30	97017-08030-00	BOLT	2	

CONTENTS

ACCELERATOR	C2
AIR SHROUD FAN	A6
BODY 1	D1-2
BODY 2	D3-4
BODY FITTING	D5
BRAKE 1	B10-11
BRAKE 2	B12
BRAKE 3	C1
BUMPER	C12
CAMSHAFT VALVE	A5
CARBURETOR	A8
CARRIER	D6
CRANKCASE	A10
CRANKSHAFT PISTON	A4
CYLINDER HEAD	A3
ELECTRICAL 1	D10
ELECTRICAL 2	D11-12
ENGINE ASSEMBLY	A2
ENGINE BRACKET 209201~	A12
ENGINE MOUNT ~209200	A11
EXHAUST	A9
FRAME	B3
FRONT SUSPENSION WHEEL	B4-5
FUEL TANK 209201~	B9
FUEL TANK ~209200	B8
GOVERNOR	C3
INTAKE	A7
OPTIONAL LIGHT KIT	E3
OPTIONAL LIGHT KIT	E4-5
STREAMLINE JU0	E2
OPTIONAL SUN ROOF	E1
OPTIONAL WINDSHIELD	E1
PRIMARY SHEAVE	C5
JU0-102249~	C5
PRIMARY SHEAVE	C4
~JU0-102248	C4
REAR ARM SUSPENSION	B2
209201~	B2
REAR ARM SUSPENSION	B1
~209200	B1
REAR AXLE MOUNT WHEEL	C10
SEAT	D7
SECONDARY SHEAVE	C6
SHIFTER CABLES	C11
STARTING MOTOR	D8-9
STEERING	B6-7
TRANSMISSION 1	C7-9
~MODELS IN THIS CATALOG	E6

CONTINUED ON NEXT FRAME ►

STEERING



Ref. No.	Part Number	Description	Qty	Remarks
31	92907-08600-00	WASHER, PLATE	2	
32	JN3-K8357-00-00	HOLDER 1	1	
33	JN6-K8358-01-00	HOLDER 2	1	
34	97707-40525-00	SCREW, TAPPING	2	
35	90201-048R5-00	WASHER, PLATE	2	
36	90502-10013-00	SPRING, CONICAL	2	
37	90387-046N7-00	COLLAR	2	
38	JU0-K7762-00-00	LABEL, WARNING 2 (USA)	1	UR, FOR USA
	JU0-K7762-10-00	LABEL, WARNING 2 (CAN)	1	UR, FOR CANADA
	JU0-K7762-20-00	LABEL, WARNING 2 (EUR)	1	UR, FOR EUROPE

CONTENTS

ACCELERATOR	C2
AIR SHROUD FAN	A6
BODY 1	D1-2
BODY 2	D3-4
BODY FITTING	D5
BRAKE 1	B10-11
BRAKE 2	B12
BRAKE 3	C1
BUMPER	C12
CAMSHAFT VALVE	A5
CARBURETOR	A8
CARRIER	D6
CRANKCASE	A10
CRANKSHAFT PISTON	A4
CYLINDER HEAD	A3
ELECTRICAL 1	D10
ELECTRICAL 2	D11-12
ENGINE ASSEMBLY	A2
ENGINE BRACKET 209201~	A12
ENGINE MOUNT ~209200	A11
EXHAUST	A9
FRAME	B3
FRONT SUSPENSION WHEEL	B4-5
FUEL TANK 209201~	B9
FUEL TANK ~209200	B8
GOVERNOR	C3
INTAKE	A7
OPTIONAL LIGHT KIT	E3
OPTIONAL LIGHT KIT STREAMLINE JU0	E4-5
OPTIONAL SUN ROOF	E2
OPTIONAL WINDSHIELD	E1
PRIMARY SHEAVE JU0-102249~	C5
PRIMARY SHEAVE ~JU0-102248	C4
REAR ARM SUSPENSION 209201~	B2
REAR ARM SUSPENSION ~209200	B1
REAR AXLE MOUNT WHEEL	C10
SEAT	D7
SECONDARY SHEAVE	C6
SHIFTER CABLES	C11
STARTING MOTOR	D8-9
STEERING	B6-7
TRANSMISSION 1	C7-9
-MODELS IN THIS CATALOG	E6



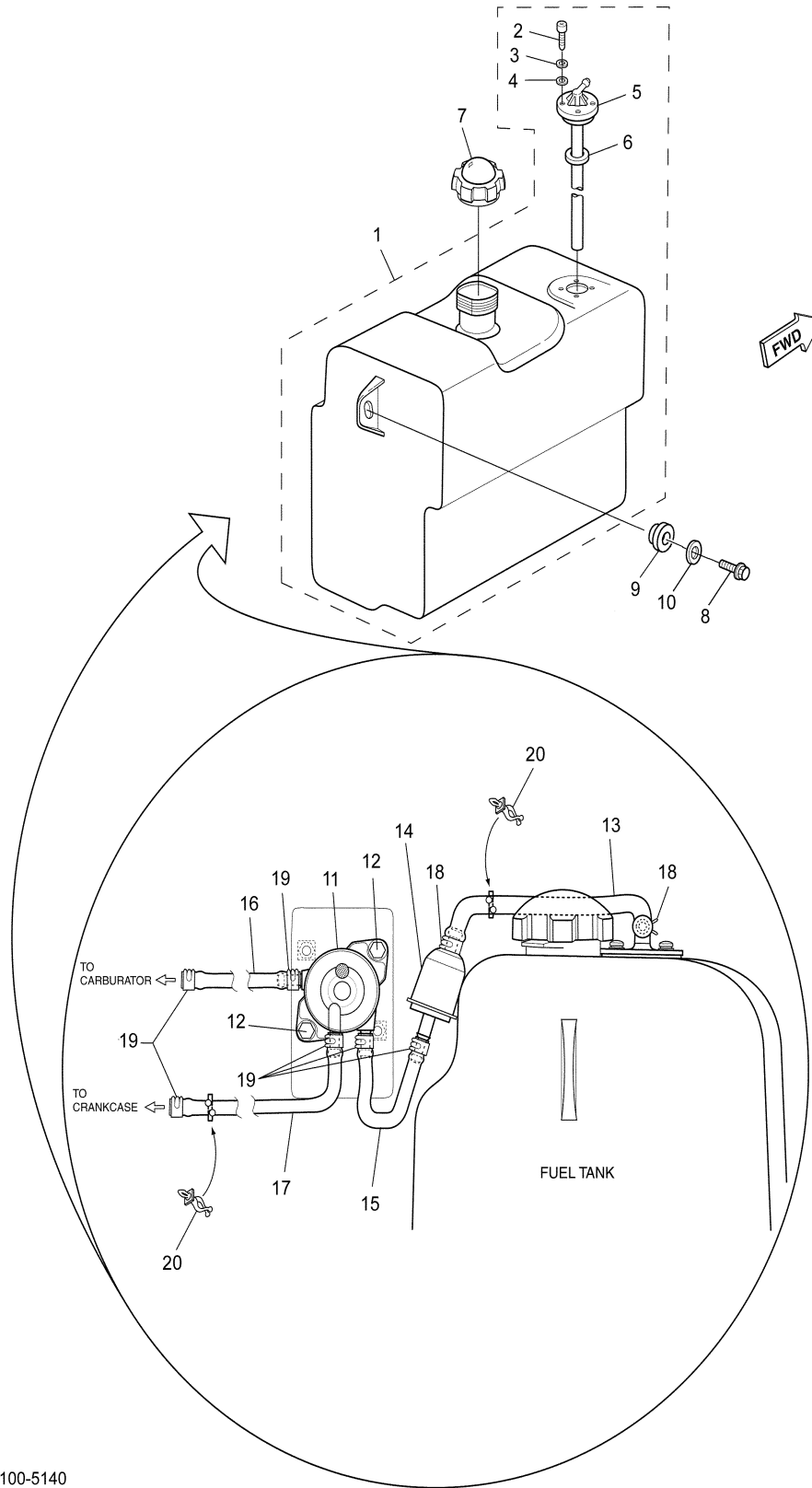
JU22100-D040

FUEL TANK ~209200

Ref. No.	Part Number	Description	Qty	Remarks
1	JN6-F4111-01-00	TANK, FUEL	1	~JU0-209200
2	98507-05014-00	. SCREW, PAN HEAD	4	
3	92907-05100-00	. WASHER, LOCK	4	
4	92907-05600-00	. WASHER, PLATE	4	
5	JN3-F4300-02-00	. FUEL PIPE JOINT	1	
6	93210-228C4-00	. O-RING	1	
7	JN6-F4610-00-00	CAP ASSY	1	
8	90105-08878-00	BOLT, FLANGE	2	
9	90560-08251-00	SPACER	2	
10	90201-088S2-00	WASHER, PLATE	2	
11	JN6-F4410-10-00	FUEL PUMP ASSY	1	
12	JN6-F3394-00-00	BOLT, SPECIAL	2	
13	JN6-F4312-20-00	PIPE 2	1	
14	JN6-F4560-00-00	FILTER ASSY	1	
15	JN6-F4311-20-00	PIPE, FUEL 1	1	
16	JN6-F4313-20-00	PIPE 3	1	
17	JN6-F4314-20-00	PIPE 4	1	
18	90467-12845-00	CLIP	2	
19	90467-10846-00	CLIP	6	
20	90464-11816-00	CLAMP	2	

CONTENTS

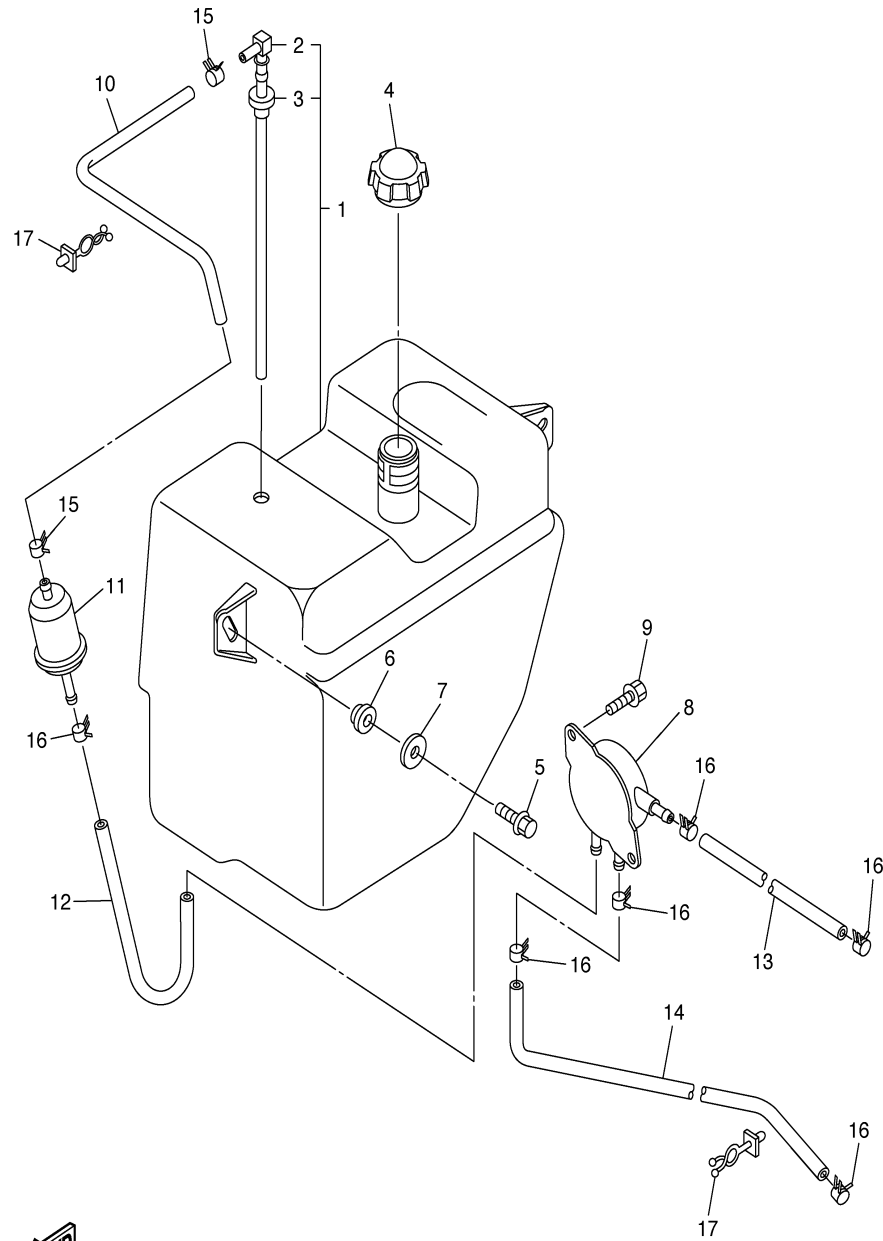
ACCELERATOR	C2
AIR SHROUD FAN	A6
BODY 1	D1-2
BODY 2	D3-4
BODY FITTING	D5
BRAKE 1	B10-11
BRAKE 2	B12
BRAKE 3	C1
BUMPER	C12
CAMSHAFT VALVE	A5
CARBURETOR	A8
CARRIER	D6
CRANKCASE	A10
CRANKSHAFT PISTON	A4
CYLINDER HEAD	A3
ELECTRICAL 1	D10
ELECTRICAL 2	D11-12
ENGINE ASSEMBLY	A2
ENGINE BRACKET 209201~	A12
ENGINE MOUNT ~209200	A11
EXHAUST	A9
FRAME	B3
FRONT SUSPENSION WHEEL	B4-5
FUEL TANK 209201~	B9
FUEL TANK ~209200	B8
GOVERNOR	C3
INTAKE	A7
OPTIONAL LIGHT KIT	E3
OPTIONAL LIGHT KIT STREAMLINE JU0	E4-5
OPTIONAL SUN ROOF	E2
OPTIONAL WINDSHIELD	E1
PRIMARY SHEAVE JU0-102249~	C5
PRIMARY SHEAVE ~JU0-102248	C4
REAR ARM SUSPENSION 209201~	B2
REAR ARM SUSPENSION ~209200	B1
REAR AXLE MOUNT WHEEL	C10
SEAT	D7
SECONDARY SHEAVE	C6
SHIFTER CABLES	C11
STARTING MOTOR	D8-9
STEERING	B6-7
TRANSMISSION 1	C7-9
~MODELS IN THIS CATALOG	E6



JU0100-5140

G22AY_AZ_AA_AB_AC_AD

FUEL TANK 209201~



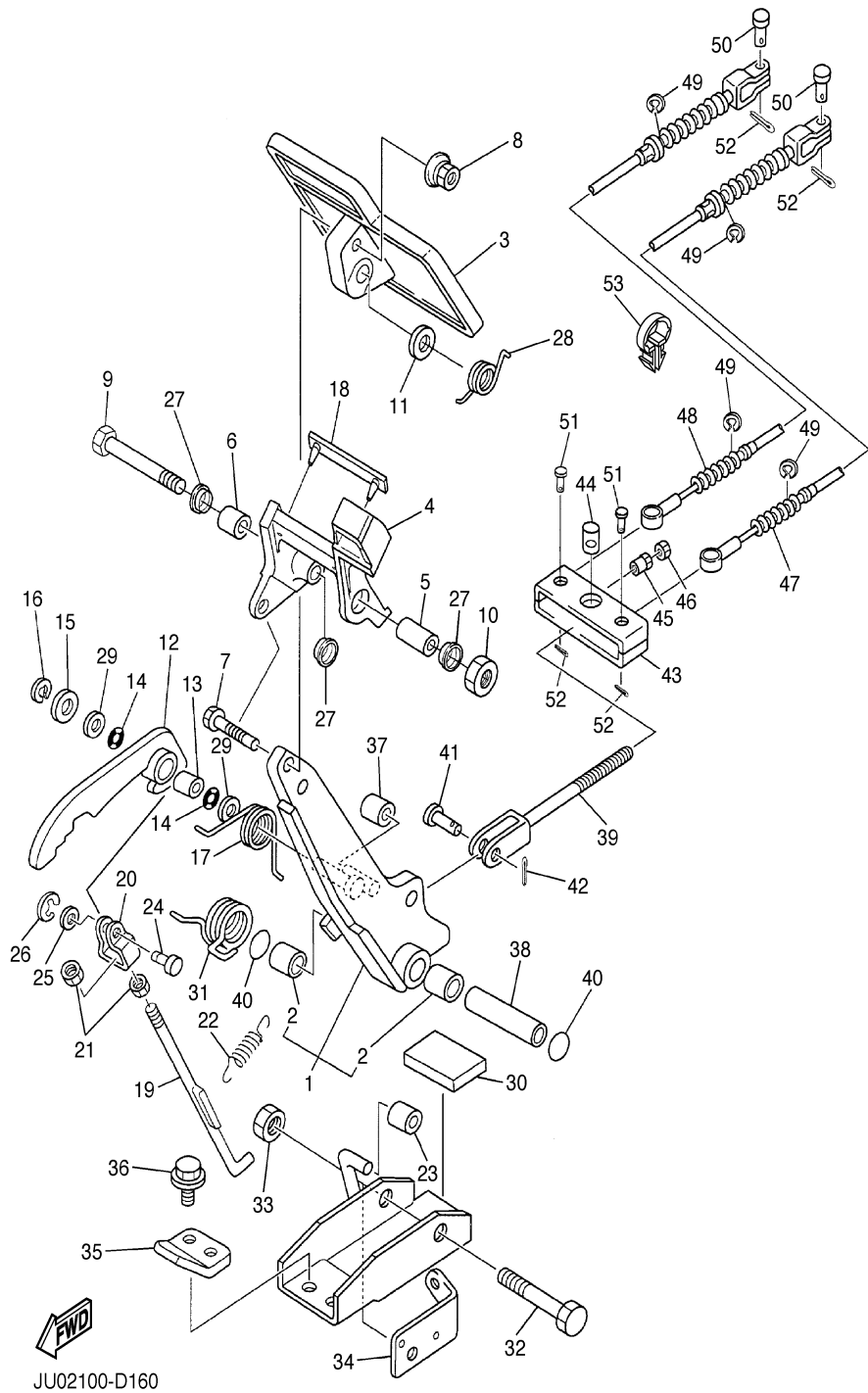
FWD
JU02100-D150

Ref. No.	Part Number	Description	Qty	Remarks
1	JU0-F4111-00-00	TANK, FUEL	1	JU0-209201~310100
	JU0-F4111-01-00	TANK, FUEL	1	JU0-310101~, WITH SHUT-OFF
2	JU0-F4300-00-00	. FUEL PIPE JOINT	1	JU0-209201~310100
	JU0-F4300-10-00	. FUEL PIPE JOINT	1	JU0-310101~, WITH SHUT-OFF
3	JU5-F4375-00-00	. GROMMET	1	
4	JN6-F4610-00-00	CAP ASSY	1	
5	90105-08878-00	BOLT, FLANGE	2	
6	90560-08251-00	SPACER	2	
7	90201-088S2-00	WASHER, PLATE	2	
8	JN6-F4410-10-00	FUEL PUMP ASSY	1	
9	JN6-F3394-00-00	BOLT, SPECIAL	2	
10	JN6-F4312-20-00	PIPE 2	1	JU0-209201~310100
	JN6-F4312-30-00	PIPE 2	1	JU0-310101~
11	JN6-F4560-00-00	FILTER ASSY	1	
12	JN6-F4311-20-00	PIPE, FUEL 1	1	JU0-209201~310100
	JN6-F4311-30-00	PIPE, FUEL 1	1	JU0-310101~
13	JN6-F4313-20-00	PIPE 3	1	JU0-209201~310100
	JN6-F4313-30-00	PIPE 3	1	JU0-310101~
14	JN6-F4314-20-00	PIPE 4	1	JU0-209201~310100
	JN6-F4314-21-00	PIPE 4	1	JU0-310101~
15	90467-12845-00	CLIP	2	
16	90467-10846-00	CLIP	6	
17	90464-11816-00	CLAMP	2	

CONTENTS

ACCELERATOR	C2
AIR SHROUD FAN	A6
BODY 1	D1-2
BODY 2	D3-4
BODY FITTING	D5
BRAKE 1	B10-11
BRAKE 2	B12
BRAKE 3	C1
BUMPER	C12
CAMSHAFT VALVE	A5
CARBURETOR	A8
CARRIER	D6
CRANKCASE	A10
CRANKSHAFT PISTON	A4
CYLINDER HEAD	A3
ELECTRICAL 1	D10
ELECTRICAL 2	D11-12
ENGINE ASSEMBLY	A2
ENGINE BRACKET 209201~	A12
ENGINE MOUNT ~209200	A11
EXHAUST	A9
FRAME	B3
FRONT SUSPENSION WHEEL	B4-5
FUEL TANK 209201~	B9
FUEL TANK ~209200	B8
GOVERNOR	C3
INTAKE	A7
OPTIONAL LIGHT KIT	E3
OPTIONAL LIGHT KIT	E4-5
STREAMLINE JU0	E2
OPTIONAL SUN ROOF	E1
OPTIONAL WINDSHIELD	E1
PRIMARY SHEAVE	C5
JU0-102249~	C5
PRIMARY SHEAVE	C4
~JU0-102248	C4
REAR ARM SUSPENSION	B2
209201~	B2
REAR ARM SUSPENSION	B1
~209200	B1
REAR AXLE MOUNT WHEEL	C10
SEAT	D7
SECONDARY SHEAVE	C6
SHIFTER CABLES	C11
STARTING MOTOR	D8-9
STEERING	B6-7
TRANSMISSION 1	C7-9
~MODELS IN THIS CATALOG	E6

BRAKE 1



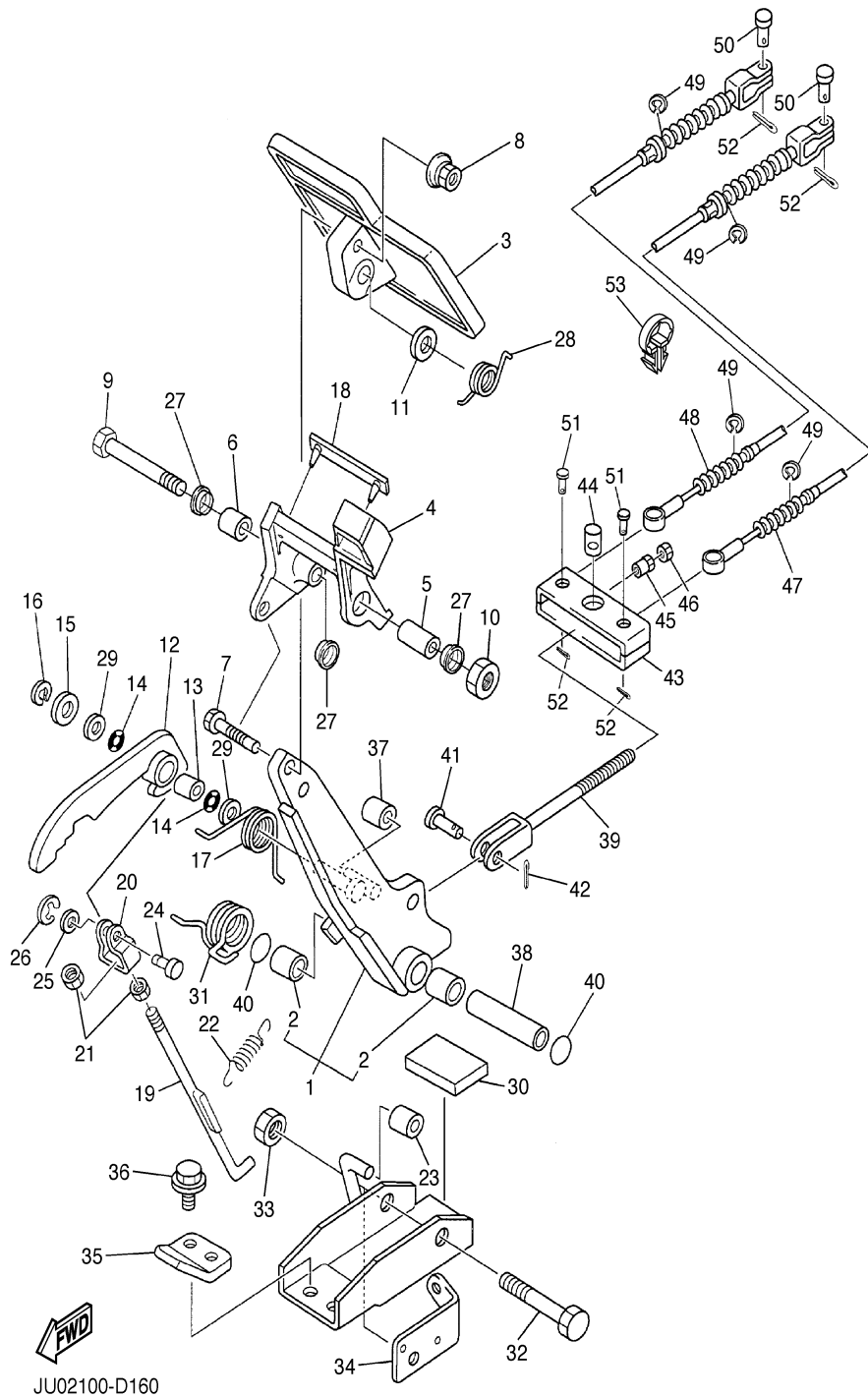
Ref. No.	Part Number	Description	Qty	Remarks
1	J46-27250-03-00	BRAKE ARM COMP.	1	
2	90384-14080-00	. BUSH, BIMETAL FORMED ...	2	
3	JU0-27211-01-00	PEDAL, BRAKE	1	
4	JU0-25671-00-00	PEDAL, PARKING BRAKE	1	
5	90387-08014-00	COLLAR	1	
6	90387-08013-00	COLLAR	1	
7	97027-06035-00	BOLT	1	
8	90179-07564-00	NUT	1	
9	97027-08100-00	BOLT	1	
10	95307-08600-00	NUT	1	
11	92907-08200-00	WASHER	1	
12	J17-25666-02-00	SECTOR, PARKING BRAKE ..	1	
13	90384-10162-00	BUSH, BIMETAL FORMED	1	
14	J17-27221-00-00	SEAL, SHAFT	2	
15	92907-10600-00	WASHER, PLATE	1	
16	99001-07600-00	CIRCLIP	1	
17	90508-14548-00	SPRING, TORSION	1	
18	J17-25672-01-00	PAD, PARKING PEDAL	1	
19	J17-27231-03-00	ROD, BRAKE	1	
20	J17-27232-00-00	END, ROD 2	1	
21	95307-06700-00	NUT	2	
22	90506-09001-00	SPRING, TENSION	1	
23	J17-25673-00-00	DAMPER, BRAKE	1	
24	J17-27228-00-00	PIN, JOINT	1	
25	92907-05600-00	WASHER, PLATE	1	
26	99002-04600-00	CIRCLIP	1	
27	90387-12009-00	COLLAR	3	
28	90508-32015-00	SPRING, TORSION	1	
29	90201-104G8-00	WASHER, PLATE	2	
30	JN3-F7245-00-00	PAD, BRAKE PEDAL	1	

CONTENTS

ACCELERATOR	C2
AIR SHROUD FAN	A6
BODY 1	D1-2
BODY 2	D3-4
BODY FITTING	D5
BRAKE 1	B10-11
BRAKE 2	B12
BRAKE 3	C1
BUMPER	C12
CAMSHAFT VALVE	A5
CARBURETOR	A8
CARRIER	D6
CRANKCASE	A10
CRANKSHAFT PISTON	A4
CYLINDER HEAD	A3
ELECTRICAL 1	D10
ELECTRICAL 2	D11-12
ENGINE ASSEMBLY	A2
ENGINE BRACKET 209201~	A12
ENGINE MOUNT ~209200	A11
EXHAUST	A9
FRAME	B3
FRONT SUSPENSION WHEEL	B4-5
FUEL TANK 209201~	B9
FUEL TANK ~209200	B8
GOVERNOR	C3
INTAKE	A7
OPTIONAL LIGHT KIT	E3
OPTIONAL LIGHT KIT	E3
STREAMLINE JU0	E4-5
OPTIONAL SUN ROOF	E2
OPTIONAL WINDSHIELD	E1
PRIMARY SHEAVE	
JU0-102249~	C5
PRIMARY SHEAVE	
~JU0-102248	C4
REAR ARM SUSPENSION	
209201~	B2
REAR ARM SUSPENSION	
~209200	B1
REAR AXLE MOUNT WHEEL	C10
SEAT	D7
SECONDARY SHEAVE	C6
SHIFTER CABLES	C11
STARTING MOTOR	D8-9
STEERING	B6-7
TRANSMISSION 1	C7-9
~MODELS IN THIS CATALOG	E6

CONTINUED ON NEXT FRAME ►

BRAKE 1



JU02100-D160

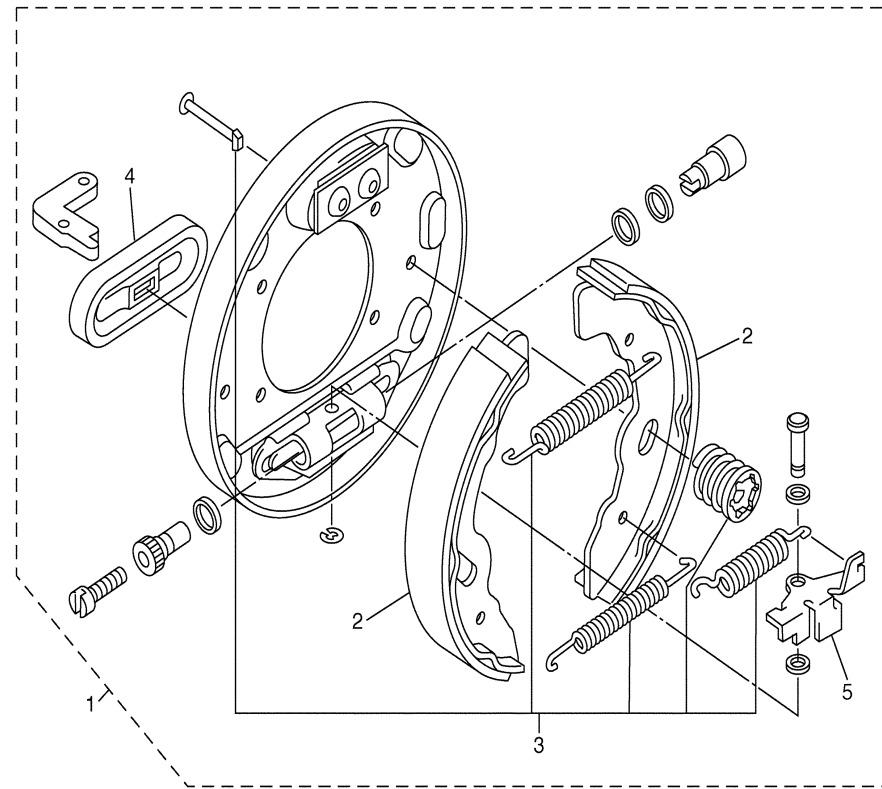
Ref. No.	Part Number	Description	Qty	Remarks
31	90508-40007-00	SPRING, TORSION	1	
32	90101-10884-00	BOLT	1	
33	95607-10200-00	NUT, U FLANGE	1	
34	J55-2252M-00-00	BRACKET, 3	1	
35	J17-27246-00-00	NAIL, BRAKE	1	
36	90105-08878-00	BOLT, FLANGE	2	
37	J17-25673-00-00	DAMPER, BRAKE	1	
38	90387-107F8-00	COLLAR	1	
39	JN6-F5685-00-00	ROD	1	
40	93210-132A8-00	O-RING	2	
41	91701-10022-00	PIN, CLEVIS	1	
42	91490-30015-00	PIN, COTTER	1	
43	JN6-F5681-00-00	EQUALIZER, BRAKE	1	
44	90249-14129-00	PIN	1	
45	90179-08894-00	NUT	1	
46	95307-08700-00	NUT	1	
47	JU0-F6341-00-00	CABLE, BRAKE	1	
48	JU0-F6351-00-00	CABLE, BRAKE	1	
49	99001-09600-00	CIRCLIP	4	
50	91701-08018-00	PIN, CLEVIS	2	
51	91701-08026-00	PIN, CLEVIS	2	
52	91490-25015-00	PIN, COTTER	4	
53	90464-19815-00	CLAMP	1	

CONTENTS

ACCELERATOR	C2
AIR SHROUD FAN	A6
BODY 1	D1-2
BODY 2	D3-4
BODY FITTING	D5
BRAKE 1	B10-11
BRAKE 2	B12
BRAKE 3	C1
BUMPER	C12
CAMSHAFT VALVE	A5
CARBURETOR	A8
CARRIER	D6
CRANKCASE	A10
CRANKSHAFT PISTON	A4
CYLINDER HEAD	A3
ELECTRICAL 1	D10
ELECTRICAL 2	D11-12
ENGINE ASSEMBLY	A2
ENGINE BRACKET 209201~	A12
ENGINE MOUNT ~209200	A11
EXHAUST	A9
FRAME	B3
FRONT SUSPENSION WHEEL	B4-5
FUEL TANK 209201~	B9
FUEL TANK ~209200	B8
GOVERNOR	C3
INTAKE	A7
OPTIONAL LIGHT KIT	E3
OPTIONAL LIGHT KIT STREAMLINE JU0	E4-5
OPTIONAL SUN ROOF	E2
OPTIONAL WINDSHIELD	E1
PRIMARY SHEAVE JU0-102249~	C5
PRIMARY SHEAVE ~JU0-102248	C4
REAR ARM SUSPENSION 209201~	B2
REAR ARM SUSPENSION ~209200	B1
REAR AXLE MOUNT WHEEL	C10
SEAT	D7
SECONDARY SHEAVE	C6
SHIFTER CABLES	C11
STARTING MOTOR	D8-9
STEERING	B6-7
TRANSMISSION 1	C7-9
~MODELS IN THIS CATALOG	E6

BRAKE 2

Ref. No.	Part Number	Description	Qty	Remarks
1	JN6-F7290-03-00	BACKING PLATE ASSY 2	1	(L.H)
2	JN6-F5331-01-00	. BRAKE SHOE SET	1	1 EACH SIDE
3	JG5-F819G-00-00	. REPAIR PARTS KIT	1	
4	JN6-F7286-00-00	. COVER, DUST	1	
5	JN6-F722E-00-00	. LEVER ADJUSTER (LH)	1	



CONTENTS

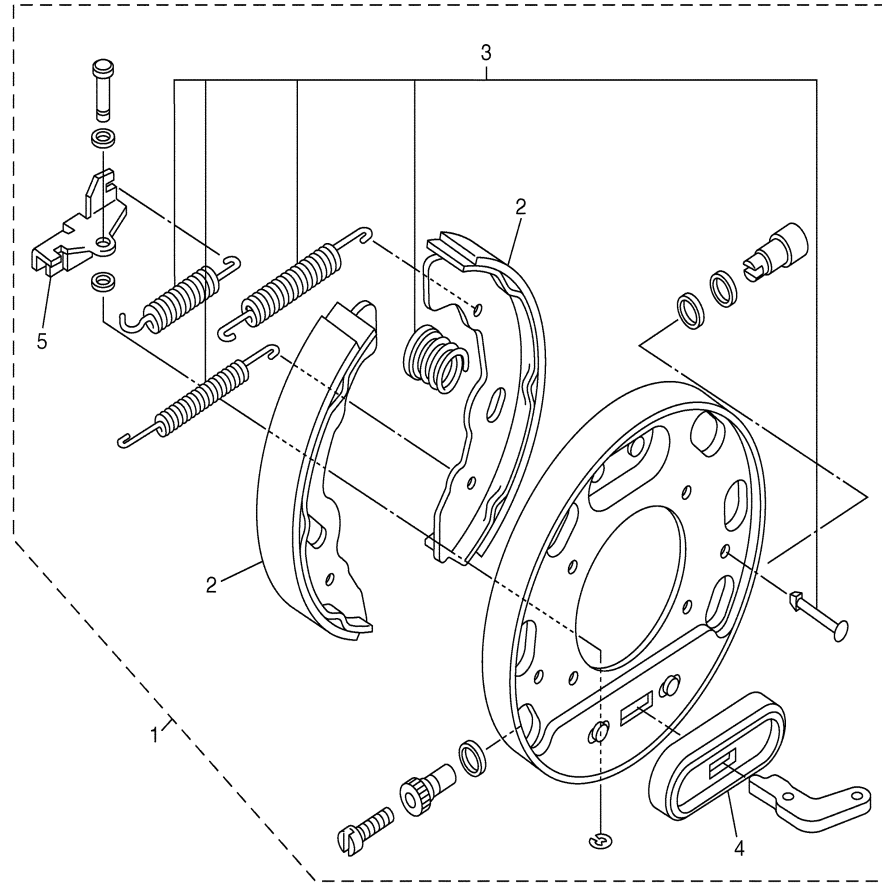
ACCELERATOR	C2
AIR SHROUD FAN	A6
BODY 1	D1-2
BODY 2	D3-4
BODY FITTING	D5
BRAKE 1	B10-11
BRAKE 2	B12
BRAKE 3	C1
BUMPER	C12
CAMSHAFT VALVE	A5
CARBURETOR	A8
CARRIER	D6
CRANKCASE	A10
CRANKSHAFT PISTON	A4
CYLINDER HEAD	A3
ELECTRICAL 1	D10
ELECTRICAL 2	D11-12
ENGINE ASSEMBLY	A2
ENGINE BRACKET 209201~	A12
ENGINE MOUNT ~209200	A11
EXHAUST	A9
FRAME	B3
FRONT SUSPENSION WHEEL	B4-5
FUEL TANK 209201~	B9
FUEL TANK ~209200	B8
GOVERNOR	C3
INTAKE	A7
OPTIONAL LIGHT KIT	E3
OPTIONAL LIGHT KIT	
STREAMLINE JU0	E4-5
OPTIONAL SUN ROOF	E2
OPTIONAL WINDSHIELD	E1
PRIMARY SHEAVE	
JU0-102249~	C5
PRIMARY SHEAVE	
~JU0-102248	C4
REAR ARM SUSPENSION	
209201~	B2
REAR ARM SUSPENSION	
~209200	B1
REAR AXLE MOUNT WHEEL	C10
SEAT	D7
SECONDARY SHEAVE	C6
SHIFTER CABLES	C11
STARTING MOTOR	D8-9
STEERING	B6-7
TRANSMISSION 1	C7-9
-MODELS IN THIS CATALOG	E6



JT71010-B160

BRAKE 3

Ref. No.	Part Number	Description	Qty	Remarks
1	JN6-F7280-03-00	BACKING PLATE ASSY 1	1	(R.H.)
2	JN6-F5331-01-00	. BRAKE SHOE SET	1	1 EACH SIDE
3	JG5-F819G-00-00	. REPAIR PARTS KIT	1	
4	JN6-F7286-00-00	. COVER, DUST	1	
5	JN6-F722F-00-00	. LEVER ADJUSTER (RH)	1	



CONTENTS

ACCELERATOR	C2
AIR SHROUD FAN	A6
BODY 1	D1-2
BODY 2	D3-4
BODY FITTING	D5
BRAKE 1	B10-11
BRAKE 2	B12
BRAKE 3	C1
BUMPER	C12
CAMSHAFT VALVE	A5
CARBURETOR	A8
CARRIER	D6
CRANKCASE	A10
CRANKSHAFT PISTON	A4
CYLINDER HEAD	A3
ELECTRICAL 1	D10
ELECTRICAL 2	D11-12
ENGINE ASSEMBLY	A2
ENGINE BRACKET 209201~	A12
ENGINE MOUNT ~209200	A11
EXHAUST	A9
FRAME	B3
FRONT SUSPENSION WHEEL	B4-5
FUEL TANK 209201~	B9
FUEL TANK ~209200	B8
GOVERNOR	C3
INTAKE	A7
OPTIONAL LIGHT KIT	E3
OPTIONAL LIGHT KIT	
STREAMLINE JU0	E4-5
OPTIONAL SUN ROOF	E2
OPTIONAL WINDSHIELD	E1
PRIMARY SHEAVE	
JU0-102249~	C5
PRIMARY SHEAVE	
~JU0-102248	C4
REAR ARM SUSPENSION	
209201~	B2
REAR ARM SUSPENSION	
~209200	B1
REAR AXLE MOUNT WHEEL	C10
SEAT	D7
SECONDARY SHEAVE	C6
SHIFTER CABLES	C11
STARTING MOTOR	D8-9
STEERING	B6-7
TRANSMISSION 1	C7-9
-MODELS IN THIS CATALOG	E6



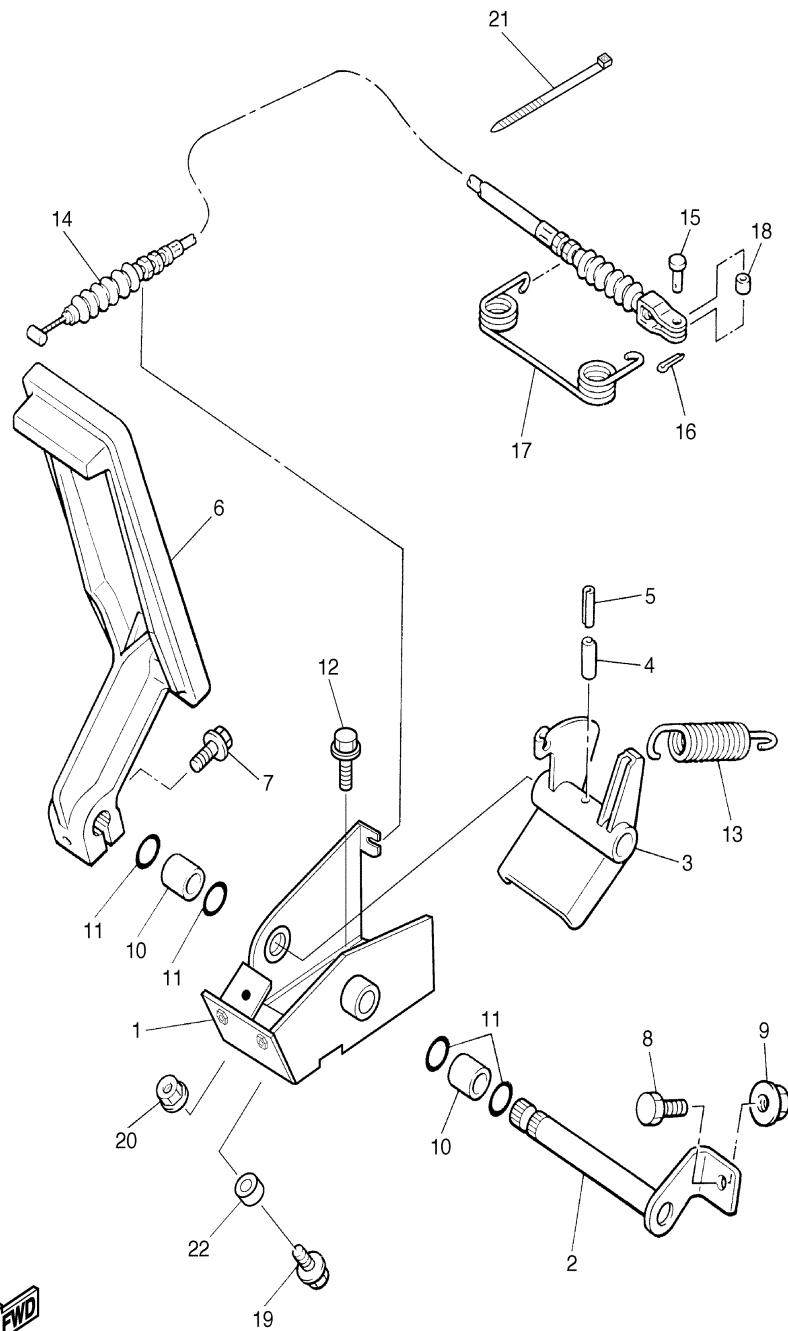
JT71010-B170

ACCELERATOR

Ref. No.	Part Number	Description	Qty	Remarks
1	JN6-F7874-01-00	BRACKET, ACCELERATOR PEDAL	1	
2	J17-27853-01-00	SHAFT, PEDAL 1	1	
3	J38-27872-00-00	ARM, ACCELERATOR PEDAL .	1	
4	91609-60028-00	PIN, SPRING	1	
5	91609-35028-00	PIN, SPRING	1	
6	J10-27871-01-00	PEDAL, ACCELERATOR	1	
7	95807-06025-00	BOLT, FLANGE	1	
8	90106-08040-00	BOLT	1	
9	95707-08500-00	NUT, FLANGE	1	
10	90384-14080-00	BUSH, BIMETAL FORMED	2	
11	93210-14104-00	O-RING	4	
12	90105-08878-00	BOLT, FLANGE	3	
13	90506-26282-00	SPRING, TENSION	1	
14	JN3-F6311-00-00	CABLE, THROTTLE 1	1	UR ~JU0-209200
	JU0-F6311-00-00	CABLE, THROTTLE 1	1	UR JU0-209201~ SEE TECHNICAL BULLETIN #G06-004
15	91701-05014-00	PIN, CLEVIS	1	
16	90468-10049-00	CLIP	1	
17	90508-16460-00	SPRING, TORSION	1	
18	90560-05001-00	SPACER	1	
19	95807-06025-00	BOLT, FLANGE	1	
20	95707-06500-00	NUT, FLANGE	1	
21	90464-40825-00	CLAMP	2	
22	90387-068T4-00	COLLAR	1	

CONTENTS

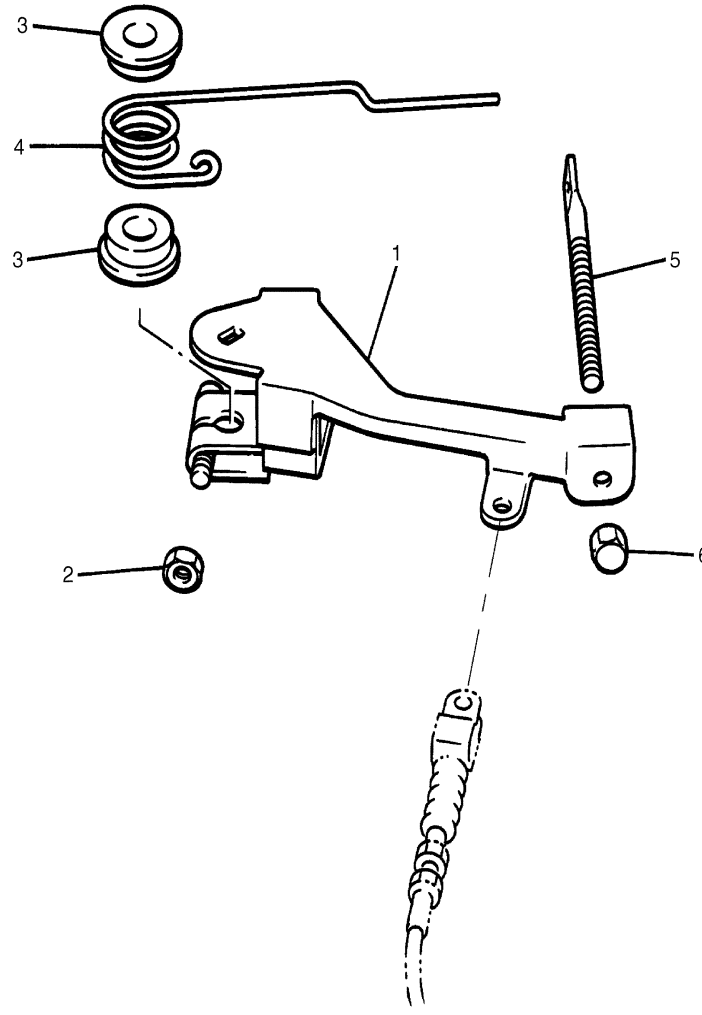
ACCELERATOR	C2
AIR SHROUD FAN	A6
BODY 1	D1-2
BODY 2	D3-4
BODY FITTING	D5
BRAKE 1	B10-11
BRAKE 2	B12
BRAKE 3	C1
BUMPER	C12
CAMSHAFT VALVE	A5
CARBURETOR	A8
CARRIER	D6
CRANKCASE	A10
CRANKSHAFT PISTON	A4
CYLINDER HEAD	A3
ELECTRICAL 1	D10
ELECTRICAL 2	D11-12
ENGINE ASSEMBLY	A2
ENGINE BRACKET 209201~	A12
ENGINE MOUNT ~209200	A11
EXHAUST	A9
FRAME	B3
FRONT SUSPENSION WHEEL	B4-5
FUEL TANK 209201~	B9
FUEL TANK ~209200	B8
GOVERNOR	C3
INTAKE	A7
OPTIONAL LIGHT KIT	E3
OPTIONAL LIGHT KIT	
STREAMLINE JU0	E4-5
OPTIONAL SUN ROOF	E2
OPTIONAL WINDSHIELD	E1
PRIMARY SHEAVE	
JU0-102249~	C5
PRIMARY SHEAVE	
~JU0-102248	C4
REAR ARM SUSPENSION	
209201~	B2
REAR ARM SUSPENSION	
~209200	B1
REAR AXLE MOUNT WHEEL	C10
SEAT	D7
SECONDARY SHEAVE	C6
SHIFTER CABLES	C11
STARTING MOTOR	D8-9
STEERING	B6-7
TRANSMISSION 1	C7-9
~MODELS IN THIS CATALOG	E6



JT71010-B180

GOVERNOR

Ref. No.	Part Number	Description	Qty	Remarks
1	J38-27951-00-00	LEVER, SPEED LIMITER	1	
2	95307-06600-00	NUT	1	
3	90386-08141-00	BUSH	2	
4	90508-40678-00	SPRING, TORSION	1	
5	J38-27959-00-00	SCREW, ADJUSTING	1	
6	9560P-06200-00	NUT, FLANGE	1	



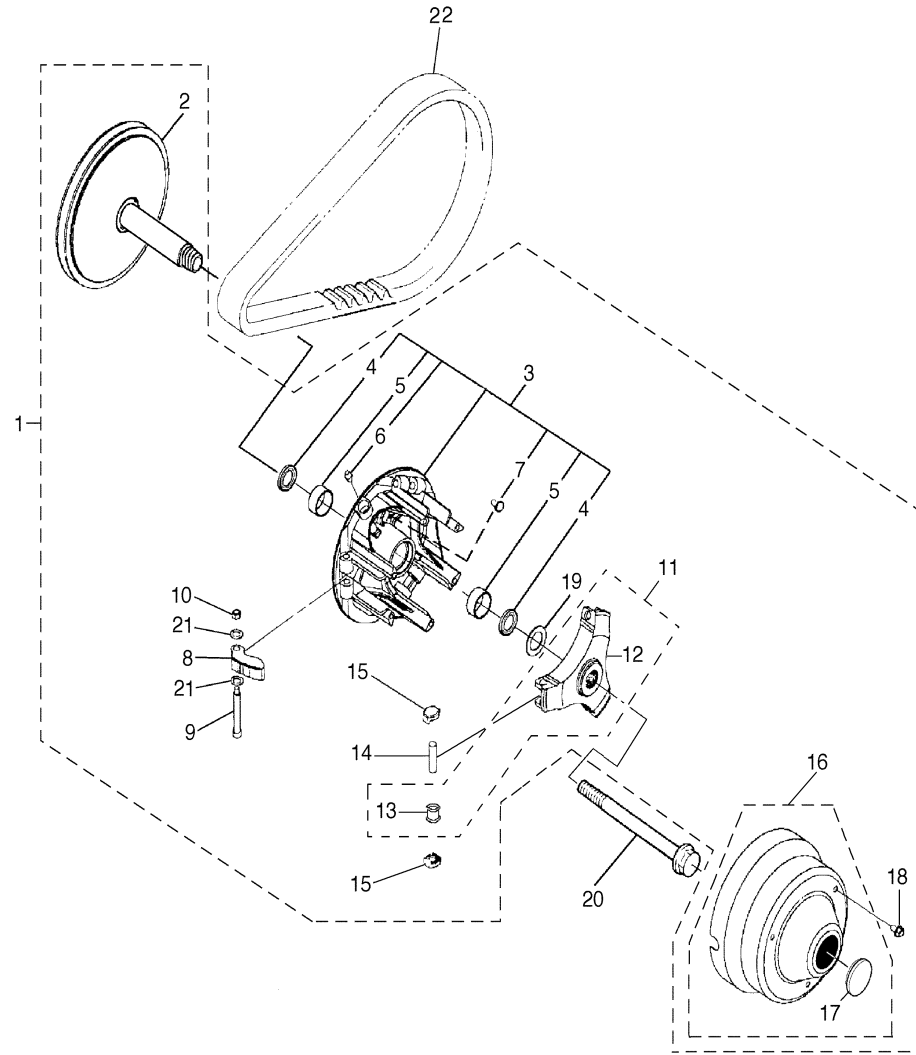
CONTENTS

ACCELERATOR	C2
AIR SHROUD FAN	A6
BODY 1	D1-2
BODY 2	D3-4
BODY FITTING	D5
BRAKE 1	B10-11
BRAKE 2	B12
BRAKE 3	C1
BUMPER	C12
CAMSHAFT VALVE	A5
CARBURETOR	A8
CARRIER	D6
CRANKCASE	A10
CRANKSHAFT PISTON	A4
CYLINDER HEAD	A3
ELECTRICAL 1	D10
ELECTRICAL 2	D11-12
ENGINE ASSEMBLY	A2
ENGINE BRACKET 209201~	A12
ENGINE MOUNT ~209200	A11
EXHAUST	A9
FRAME	B3
FRONT SUSPENSION WHEEL	B4-5
FUEL TANK 209201~	B9
FUEL TANK ~209200	B8
GOVERNOR	C3
INTAKE	A7
OPTIONAL LIGHT KIT	E3
OPTIONAL LIGHT KIT	E3
STREAMLINE JU0	E4-5
OPTIONAL SUN ROOF	E2
OPTIONAL WINDSHIELD	E1
PRIMARY SHEAVE	
JU0-102249~	C5
PRIMARY SHEAVE	
~JU0-102248	C4
REAR ARM SUSPENSION	
209201~	B2
REAR ARM SUSPENSION	
~209200	B1
REAR AXLE MOUNT WHEEL	C10
SEAT	D7
SECONDARY SHEAVE	C6
SHIFTER CABLES	C11
STARTING MOTOR	D8-9
STEERING	B6-7
TRANSMISSION 1	C7-9
~MODELS IN THIS CATALOG	E6



JT71010-B190

PRIMARY SHEAVE ~JU0-102248



Ref. No.	Part Number	Description	Qty	Remarks
1	JN6-G6201-00-00	PRIMARY CLUTCH ASSEMBLY	1	
2	JN6-G6210-00-00	. PRIMARY FIXED SHEAVE ...	1	
3	JN6-G6220-00-00	. PRIMARY SLIDING SHEAVE .	1	
4	93101-28831-00	. SEAL, OIL	2	
5	90384-27823-00	. BUSH, BIMETAL FORMED ...	2	
6	93700-06810-00	. NIPPLE, GREASE	1	
7	90338-04840-00	. PLUG	3	
8	JN6-G6232-00-00	. WEIGHT, 1	3	
9	90109-06860-00	. BOLT	3	
10	90185-06834-00	. NUT, SELF-LOCKING	3	
11	JU0-G6430-00-00	. SPIDER/ROLLER KIT	1	
12	JN6-G6251-01-00	.. SPIDER	1	USE AS SET WITH ROLLER
13	JN6-G6258-02-00	.. COLLAR, ROLLER	3	USE AS SET WITH SPIDER
14	93610-358A3-00	. PIN, DOWEL	3	
15	JN6-G6253-00-00	. SLIDER	6	
16	JU0-G6231-00-KT	. CAP	1	
17	JU0-G6297-00-00	.. COVER, DUST	1	
18	90105-06861-00	BOLT, FLANGE	3	
19	90201-228K5-00	WASHER, PLATE	1	
20	JN6-G6249-00-00	BOLT	1	
21	JN6-G621F-00-00	SHIM, THRUST	6	
22	J55-G6241-00-00	V-BELT	1	

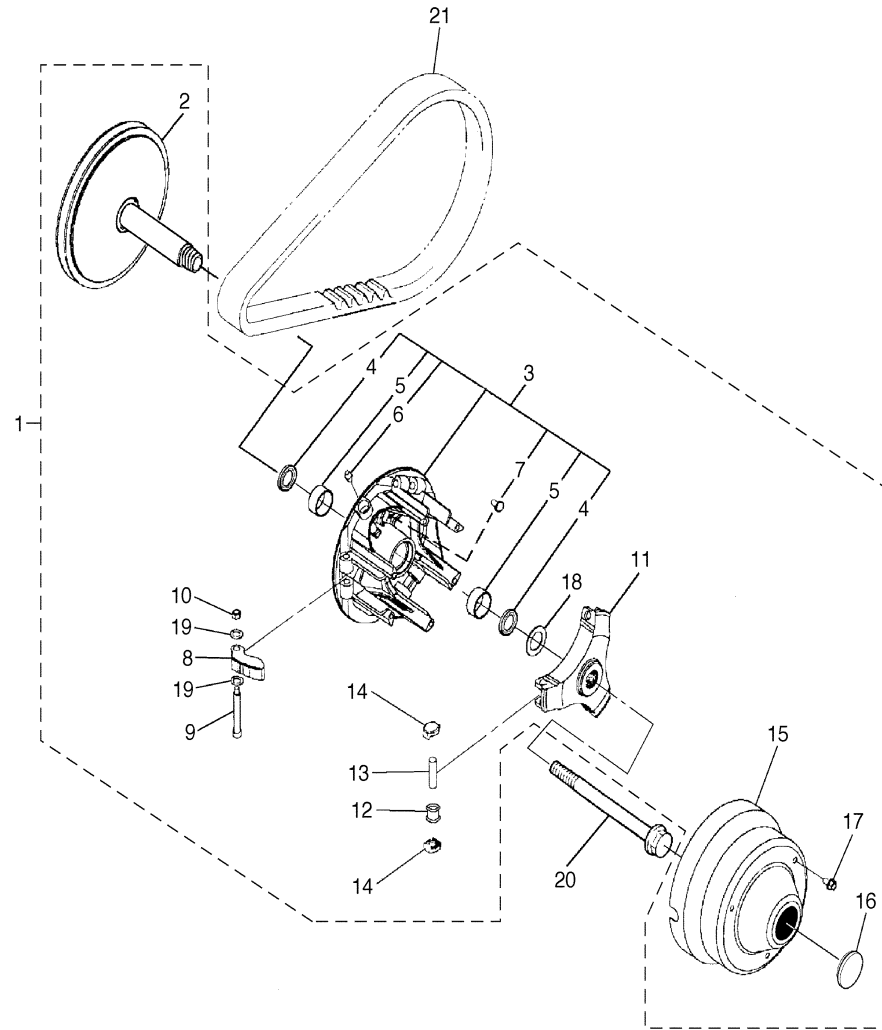
CONTENTS

ACCELERATOR	C2
AIR SHROUD FAN	A6
BODY 1	D1-2
BODY 2	D3-4
BODY FITTING	D5
BRAKE 1	B10-11
BRAKE 2	B12
BRAKE 3	C1
BUMPER	C12
CAMSHAFT VALVE	A5
CARBURETOR	A8
CARRIER	D6
CRANKCASE	A10
CRANKSHAFT PISTON	A4
CYLINDER HEAD	A3
ELECTRICAL 1	D10
ELECTRICAL 2	D11-12
ENGINE ASSEMBLY	A2
ENGINE BRACKET 209201~	A12
ENGINE MOUNT ~209200	A11
EXHAUST	A9
FRAME	B3
FRONT SUSPENSION WHEEL	B4-5
FUEL TANK 209201~	B9
FUEL TANK ~209200	B8
GOVERNOR	C3
INTAKE	A7
OPTIONAL LIGHT KIT	E3
OPTIONAL LIGHT KIT	E4-5
STREAMLINE JU0	E2
OPTIONAL SUN ROOF	E1
OPTIONAL WINDSHIELD	E1
PRIMARY SHEAVE	C5
JU0-102249~	C4
PRIMARY SHEAVE	C4
~JU0-102248	C4
REAR ARM SUSPENSION	B2
209201~	B2
REAR ARM SUSPENSION	B1
~209200	B1
REAR AXLE MOUNT WHEEL	C10
SEAT	D7
SECONDARY SHEAVE	C6
SHIFTER CABLES	C11
STARTING MOTOR	D8-9
STEERING	B6-7
TRANSMISSION 1	C7-9
~MODELS IN THIS CATALOG	E6



JT71010-B200

PRIMARY SHEAVE JU0-102249~



Ref. No.	Part Number	Description	Qty	Remarks
1	JN6-G6201-04-00	PRIMARY FIXED SHEAVE ASSY	1	
2	JN6-G6210-00-00	. PRIMARY FIXED SHEAVE ...	1	
3	JN6-G6220-00-00	. PRIMARY SLIDING SHEAVE .	1	
4	93101-28831-00	.. SEAL, OIL	2	
5	90384-27823-00	.. BUSH, BIMETAL FORMED ..	2	
6	93700-06810-00	.. NIPPLE, GREASE	1	
7	90338-04840-00	.. PLUG	3	
8	JN6-G6232-01-00	. WEIGHT 1	3	
9	90109-06860-00	. BOLT	3	
10	90185-06834-00	. NUT, SELF-LOCKING	3	
11	JN6-G6251-01-00	. SPIDER	1	
12	JN6-G6258-02-00	. COLLAR, ROLLER	3	
13	93610-358A3-00	. PIN, DOWEL	3	
14	JN6-G6253-00-00	. SLIDER	6	
15	JU0-G6231-00-00	. CAP	1	
16	JU0-G6297-00-00	. COVER, DUST	1	
17	90105-06861-00	. BOLT, FLANGE	3	
18	90201-228K5-00	. WASHER, PLATE	1	
19	JN6-G621F-00-00	. SHIM, THRUST	6	
20	JN6-G6249-00-00	BOLT	1	
21	J55-G6241-00-00	V-BELT	1	

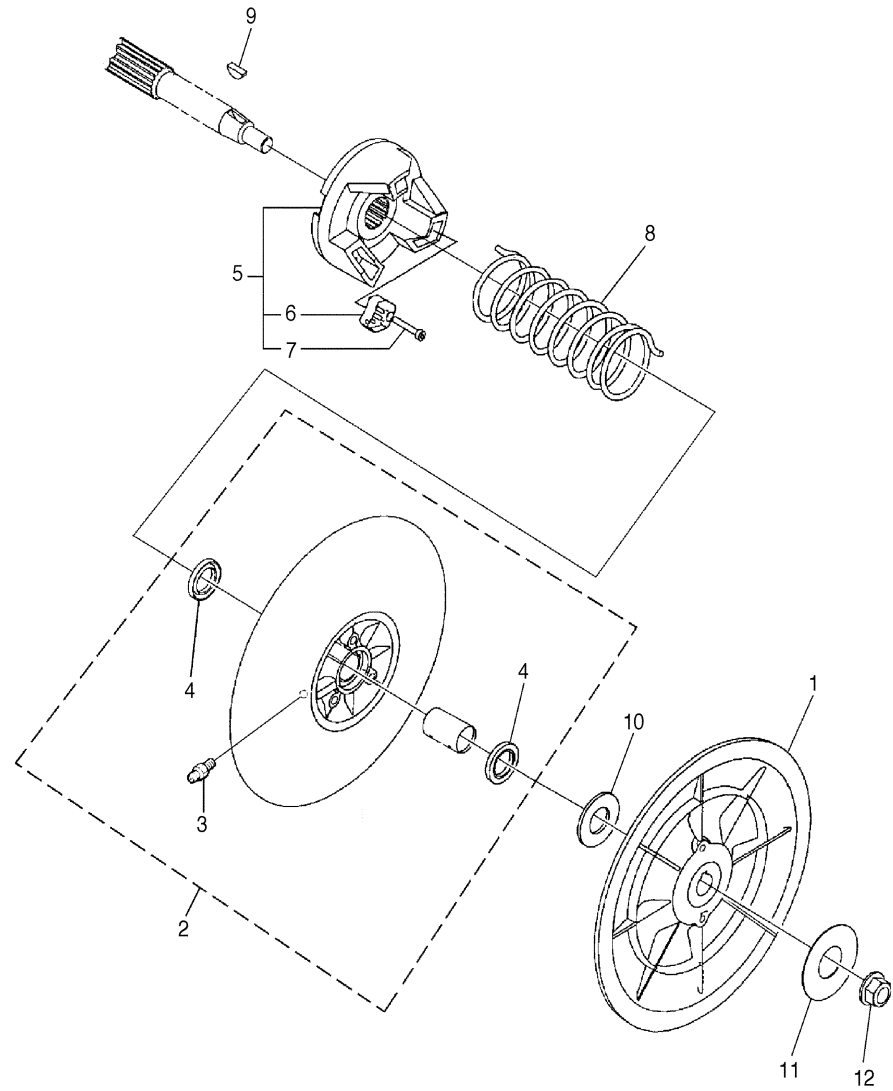
CONTENTS

ACCELERATOR	C2
AIR SHROUD FAN	A6
BODY 1	D1-2
BODY 2	D3-4
BODY FITTING	D5
BRAKE 1	B10-11
BRAKE 2	B12
BRAKE 3	C1
BUMPER	C12
CAMSHAFT VALVE	A5
CARBURETOR	A8
CARRIER	D6
CRANKCASE	A10
CRANKSHAFT PISTON	A4
CYLINDER HEAD	A3
ELECTRICAL 1	D10
ELECTRICAL 2	D11-12
ENGINE ASSEMBLY	A2
ENGINE BRACKET 209201~	A12
ENGINE MOUNT ~209200	A11
EXHAUST	A9
FRAME	B3
FRONT SUSPENSION WHEEL	B4-5
FUEL TANK 209201~	B9
FUEL TANK ~209200	B8
GOVERNOR	C3
INTAKE	A7
OPTIONAL LIGHT KIT	E3
OPTIONAL LIGHT KIT	E3
STREAMLINE JU0	E4-5
OPTIONAL SUN ROOF	E2
OPTIONAL WINDSHIELD	E1
PRIMARY SHEAVE	
JU0-102249~	C5
~JU0-102248	C4
REAR ARM SUSPENSION	
209201~	B2
~209200	B1
REAR AXLE MOUNT WHEEL	C10
SEAT	D7
SECONDARY SHEAVE	C6
SHIFTER CABLES	C11
STARTING MOTOR	D8-9
STEERING	B6-7
TRANSMISSION 1	C7-9
~MODELS IN THIS CATALOG	E6



JT71010-B200

SECONDARY SHEAVE



Ref. No.	Part Number	Description	Qty	Remarks
1	JN6-G6260-00-00	SECONDARY FIXED SHEAVE COMP	1	
2	JN6-G6270-01-KT	SECONDARY SLIDING SHEAVE COMP.	1	
3	93700-06809-00	. NIPPLE, GREASE	1	
4	93109-20069-00	. OIL SEAL	2	
5	JN6-G6280-00-00	SECONDARY SPRING SEAT COMP.	1	
6	JN6-E7688-00-00	. SHOE, RAMP	3	
7	90110-04834-00	. BOLT, HEXAGON SOCKET HEAD	3	
8	90508-45849-00	SPRING, TORSION	1	
9	90280-05022-00	KEY, WOODRUFF	1	
10	90202-20130-00	WASHER, PLATE	1	
11	90201-128S5-00	WASHER, PLATE	1	
12	95607-12200-00	NUT, SELF-LOCKING	1	

CONTENTS

ACCELERATOR	C2
AIR SHROUD FAN	A6
BODY 1	D1-2
BODY 2	D3-4
BODY FITTING	D5
BRAKE 1	B10-11
BRAKE 2	B12
BRAKE 3	C1
BUMPER	C12
CAMSHAFT VALVE	A5
CARBURETOR	A8
CARRIER	D6
CRANKCASE	A10
CRANKSHAFT PISTON	A4
CYLINDER HEAD	A3
ELECTRICAL 1	D10
ELECTRICAL 2	D11-12
ENGINE ASSEMBLY	A2
ENGINE BRACKET 209201~	A12
ENGINE MOUNT ~209200	A11
EXHAUST	A9
FRAME	B3
FRONT SUSPENSION WHEEL	B4-5
FUEL TANK 209201~	B9
FUEL TANK ~209200	B8
GOVERNOR	C3
INTAKE	A7
OPTIONAL LIGHT KIT	E3
OPTIONAL LIGHT KIT STREAMLINE JU0	E4-5
OPTIONAL SUN ROOF	E2
OPTIONAL WINDSHIELD	E1
PRIMARY SHEAVE JU0-102249~	C5
PRIMARY SHEAVE ~JU0-102248	C4
REAR ARM SUSPENSION 209201~	B2
REAR ARM SUSPENSION ~209200	B1
REAR AXLE MOUNT WHEEL SEAT	C10 D7
SECONDARY SHEAVE	C6
SHIFTER CABLES	C11
STARTING MOTOR	D8-9
STEERING	B6-7
TRANSMISSION 1	C7-9
~MODELS IN THIS CATALOG	E6



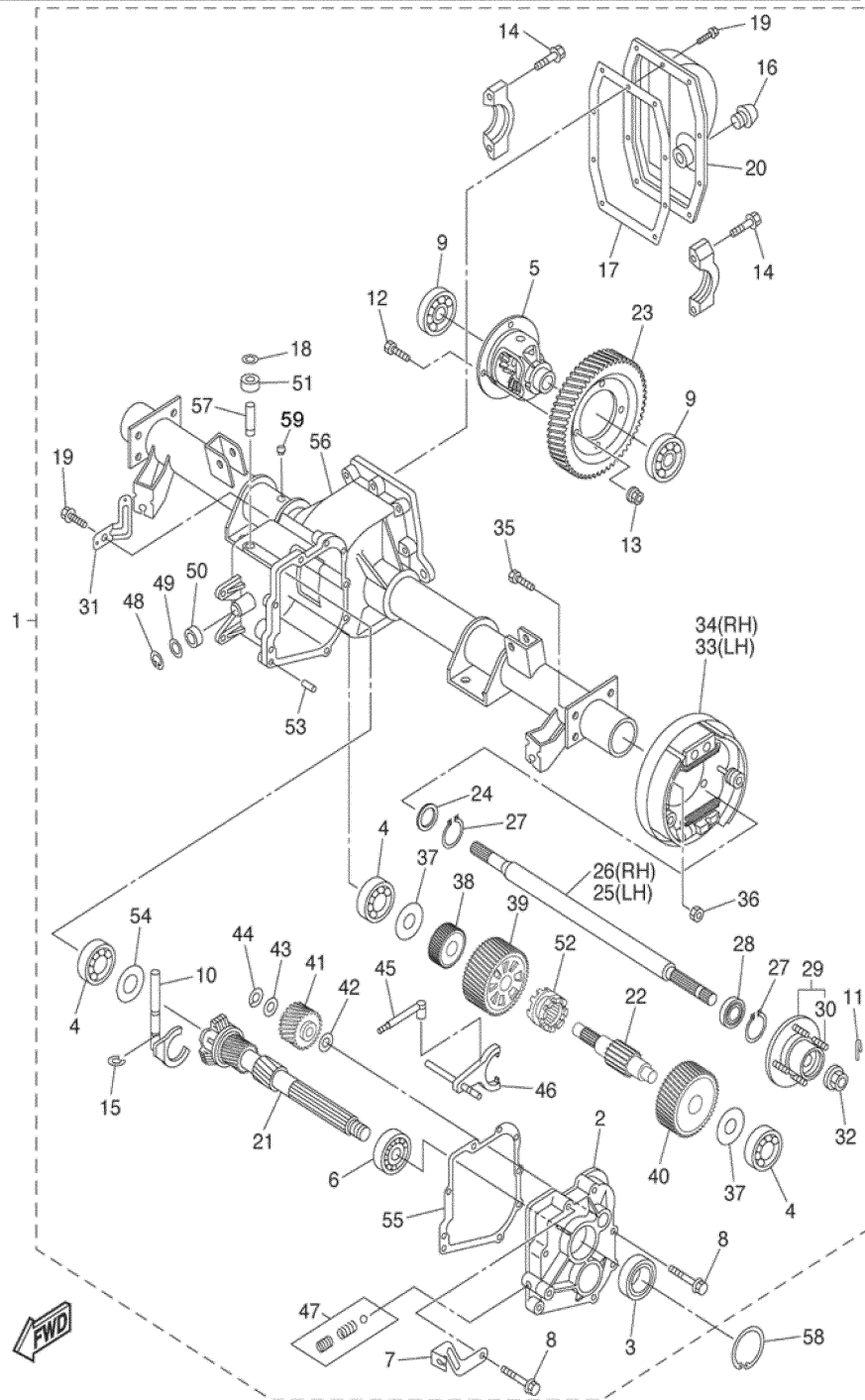
JT71010-B210

TRANSMISSION 1

Ref. No.	Part Number	Description	Qty	Remarks
1	JN6-G6300-04-00	TRANS AXLE ASSY	1	UR ~JU0-200100
	JU0-G6300-10-00	TRANS AXLE ASSY	1	UR JU0-200101~209200
	JU0-G6300-11-00	TRANS AXLE ASSY	1	UR JU0-209201~
2	JN3-G6313-00-00	. COVER, TRANSMISSION	1	
3	93102-25868-00	. OIL SEAL	1	
4	93306-303Y6-00	. BEARING	3	
5	JN6-G6410-00-00	. DIFFERENTIAL ASSY	1	
6	93306-005Y4-00	. BEARING	1	
7	JN6-G6555-00-00	. BRACKET 2	1	
8	90105-08859-00	. BOLT, FLANGE	7	
9	93306-007Y0-00	. BEARING	2	
10	JN3-G633E-01-00	. BAR 1	1	
11	91490-25025-00	. PIN, COTTER	2	
12	90101-10854-00	. BOLT	4	
13	90170-10840-00	. NUT	4	
14	90105-10840-00	. BOLT, FLANGE	4	
15	JU0-F722H-00-00	. RETAINER	1	
16	JN3-G6432-00-00	. STOPPER	1	
17	JU0-G631A-00-00	. GASKET, CASE	1	
18	JU0-F723F-00-00	. WASHER, SPECIAL	1	
19	90101-08856-00	. BOLT	11	
20	JN3-G6314-00-00	. COVER, TRANSMISSION	1	
21	JN3-G6320-01-00	. INPUT SHAFT ASSY	1	
22	JN3-G633G-00-00	. SHAFT	1	
23	JN3-G6355-00-00	. GEAR, PRIMARY	1	
24	93101-24822-00	. OIL SEAL	2	
25	JN3-G6511-00-00	. SHAFT, REAR AXLE 1 (L.H.)	1	
26	JN3-G6512-00-00	. SHAFT, REAR AXLE 2 (R.H.)	1	
27	93420-44805-00	. CIRCLIP	4	

CONTENTS

ACCELERATOR	C2
AIR SHROUD FAN	A6
BODY 1	D1-2
BODY 2	D3-4
BODY FITTING	D5
BRAKE 1	B10-11
BRAKE 2	B12
BRAKE 3	C1
BUMPER	C12
CAMSHAFT VALVE	A5
CARBURETOR	A8
CARRIER	D6
CRANKCASE	A10
CRANKSHAFT PISTON	A4
CYLINDER HEAD	A3
ELECTRICAL 1	D10
ELECTRICAL 2	D11-12
ENGINE ASSEMBLY	A2
ENGINE BRACKET 209201~	A12
ENGINE MOUNT ~209200	A11
EXHAUST	A9
FRAME	B3
FRONT SUSPENSION WHEEL	B4-5
FUEL TANK 209201~	B9
FUEL TANK ~209200	B8
GOVERNOR	C3
INTAKE	A7
OPTIONAL LIGHT KIT	E3
OPTIONAL LIGHT KIT STREAMLINE JU0	E4-5
OPTIONAL SUN ROOF	E2
OPTIONAL WINDSHIELD	E1
PRIMARY SHEAVE JU0-102249~	C5
PRIMARY SHEAVE ~JU0-102248	C4
REAR ARM SUSPENSION 209201~	B2
REAR ARM SUSPENSION ~209200	B1
REAR AXLE MOUNT WHEEL SEAT	C10 D7
SECONDARY SHEAVE	C6
SHIFTER CABLES	C11
STARTING MOTOR	D8-9
STEERING	B6-7
TRANSMISSION 1	C7-9
~MODELS IN THIS CATALOG	E6



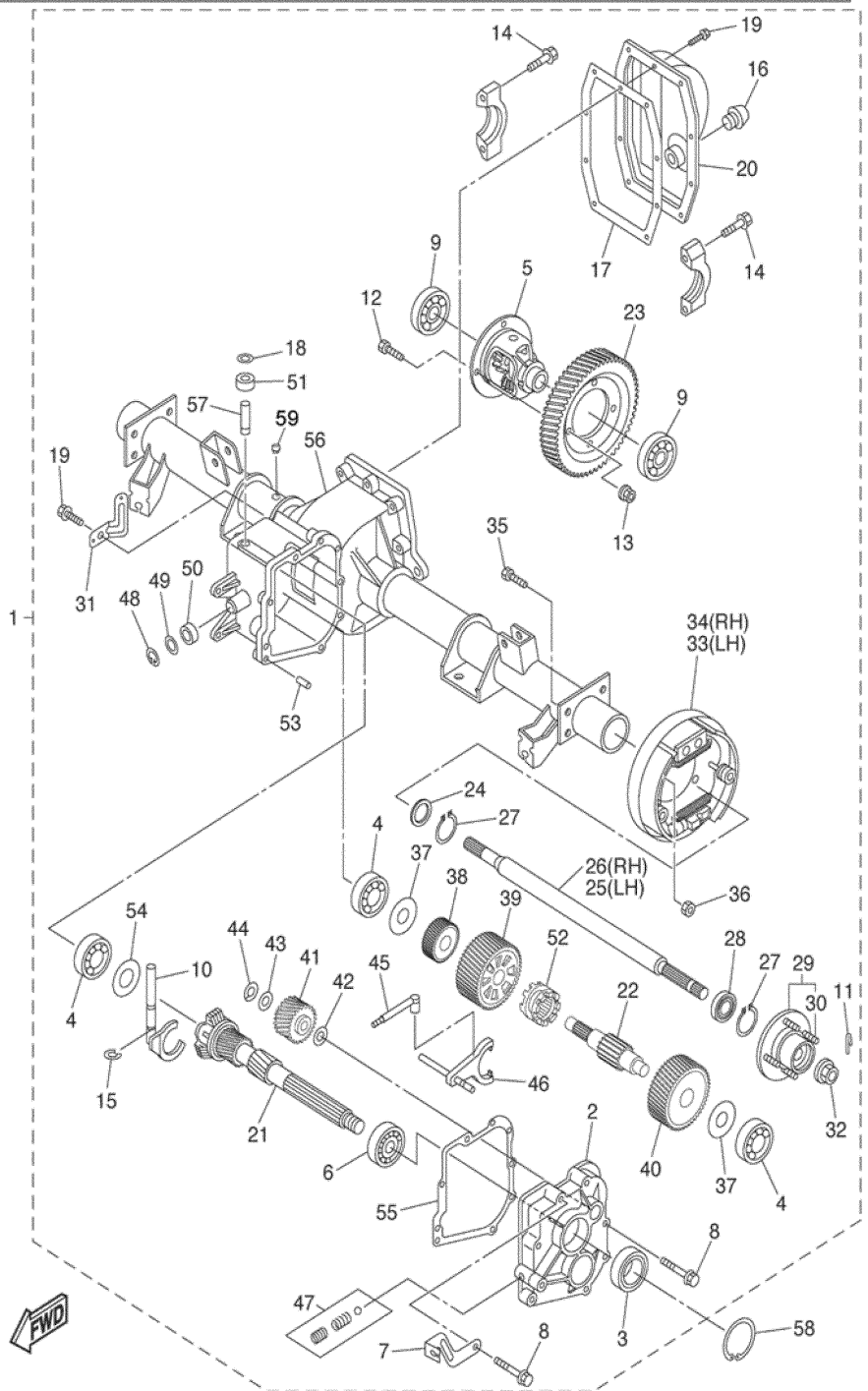
CONTINUED ON NEXT FRAME ►

TRANSMISSION 1

Ref. No.	Part Number	Description	Qty	Remarks
28	93306-004X5-00	. BEARING	2	
29	JN3-G6514-00-00	. HUB, REAR AXLE	2	
30	90114-12804-00	. . BOLT, SERRATION	4	
31	JN3-G6556-00-00	. BRACKET 3	1	
32	90185-16833-00	. NUT, SELF-LOCKING	2	
33	JN6-F7290-03-00	. BACKING PLATE ASSY 2 ...	1	SEE BRAKE 2
34	JN6-F7280-03-00	. BACKING PLATE ASSY 1 ...	1	SEE BRAKE 3
35	90101-08855-00	. BOLT	8	
36	90170-08841-00	. NUT	8	
37	90201-178H8-00	. WASHER, PLATE	2	
38	JN3-G6316-00-00	. GEAR, PINION 1	1	
39	JN3-G6326-00-00	. GEAR, WHEEL 1	1	
40	JN3-G6327-00-00	. GEAR, WHEEL 1	1	
41	JN3-G6356-00-00	. GEAR, IDLER	1	
42	90201-208H9-00	. WASHER, PLATE	1	
43	90201-208J0-00	. WASHER, PLATE	1	
44	93440-20813-00	. CIRCLIP	1	
45	JN3-G638A-00-00	. BAR, SHIFT 1	1	
46	JN6-G638E-00-00	. BAR, SHIFT 2	1	
47	JU0-G6376-00-00	. SPRING SET	1	
48	93410-12822-00	. CIRCLIP	1	
49	90202-12807-00	. WASHER, PLATE	1	
50	93104-11829-00	. OIL SEAL	1	
51	93109-10820-00	. OIL SEAL	1	
52	JN3-G6153-00-00	. COLLAR, GUIDE	1	
53	93606-10842-00	. PIN, DOWEL	2	
54	JN3-G6344-00-00	. SHIM, 0.76MM (0.030IN)	1	UR
	JN3-G6344-10-00	. SHIM, 0.90MM (0.035IN)	1	UR
	JN3-G6344-20-00	. SHIM, 1.00MM (0.040IN)	1	UR
	JN3-G6344-30-00	. SHIM, 1.14MM (0.045IN)	1	UR

CONTENTS

ACCELERATOR	C2
AIR SHROUD FAN	A6
BODY 1	D1-2
BODY 2	D3-4
BODY FITTING	D5
BRAKE 1	B10-11
BRAKE 2	B12
BRAKE 3	C1
BUMPER	C12
CAMSHAFT VALVE	A5
CARBURETOR	A8
CARRIER	D6
CRANKCASE	A10
CRANKSHAFT PISTON	A4
CYLINDER HEAD	A3
ELECTRICAL 1	D10
ELECTRICAL 2	D11-12
ENGINE ASSEMBLY	A2
ENGINE BRACKET 209201~	A12
ENGINE MOUNT ~209200	A11
EXHAUST	A9
FRAME	B3
FRONT SUSPENSION WHEEL	B4-5
FUEL TANK 209201~	B9
FUEL TANK ~209200	B8
GOVERNOR	C3
INTAKE	A7
OPTIONAL LIGHT KIT	E3
OPTIONAL LIGHT KIT STREAMLINE JU0	E4-5
OPTIONAL SUN ROOF	E2
OPTIONAL WINDSHIELD	E1
PRIMARY SHEAVE JU0-102249~	C5
PRIMARY SHEAVE ~JU0-102248	C4
REAR ARM SUSPENSION 209201~	B2
REAR ARM SUSPENSION ~209200	B1
REAR AXLE MOUNT WHEEL	C10
SEAT	D7
SECONDARY SHEAVE	C6
SHIFTER CABLES	C11
STARTING MOTOR	D8-9
STEERING	B6-7
TRANSMISSION 1 ~MODELS IN THIS CATALOG	C7-9 E6



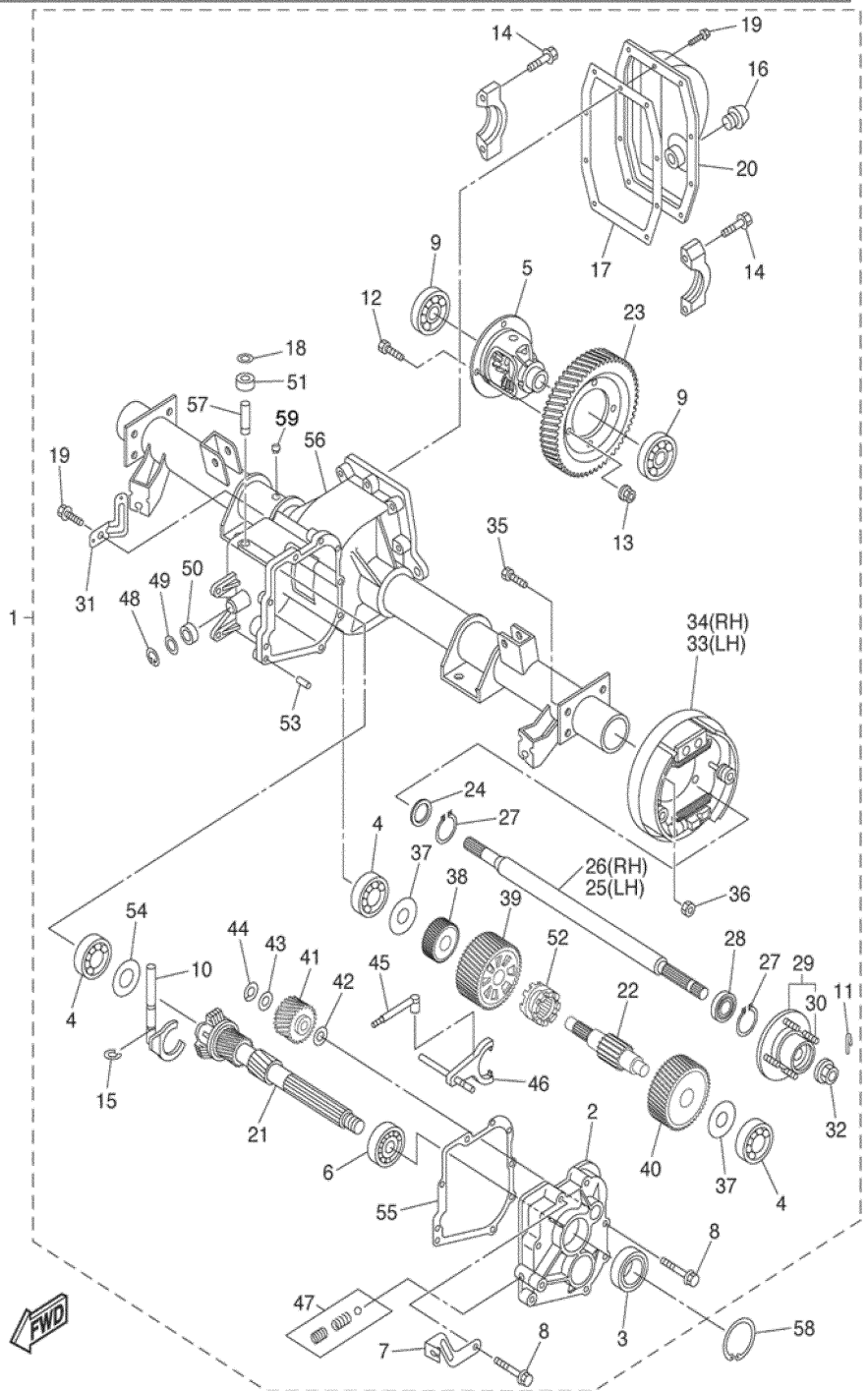
CONTINUED ON NEXT FRAME ►

TRANSMISSION 1

Ref. No.	Part Number	Description	Qty	Remarks
54	JN3-G6344-40-00	. SHIM, 1.27MM (0.050IN)	1	UR
	JN3-G6344-50-00	. SHIM, 1.39MM (0.055IN)	1	UR
	JN3-G6344-60-00	. SHIM, 1.52MM (0.060IN)	1	UR
	JN3-G6344-70-00	. SHIM, 1.65MM (0.065IN)	1	UR
	JN3-G6344-80-00	. SHIM, 0.38MM (0.015IN)	1	UR
	JN3-G6344-90-00	. SHIM, 1.78MM (0.070IN)	1	UR
	JN3-G6344-A0-00	. SHIM, 1.92MM (0.075IN)	1	UR
	JN3-G6344-B0-00	. SHIM, 2.03MM (0.080IN)	1	UR
	JN3-G6344-C0-00	. SHIM, 2.12MM (0.085IN)	1	UR
	JN3-G6344-D0-00	. SHIM, 2.29MM (0.090IN)	1	UR
55	JN3-G6319-00-00	. GASKET	1	
56	JN3-G6290-01-00	. CASE ASSY	1	UR ~JU0-200100
	JU0-G6290-00-00	. CASE ASSY	1	UR JU0-200101~
57	JU0-G6164-00-00	. BEARING 1	1	
58	93410-25017-00	CIRCLIP	1	
59	JH7-G5619-00-00	CAP	1	

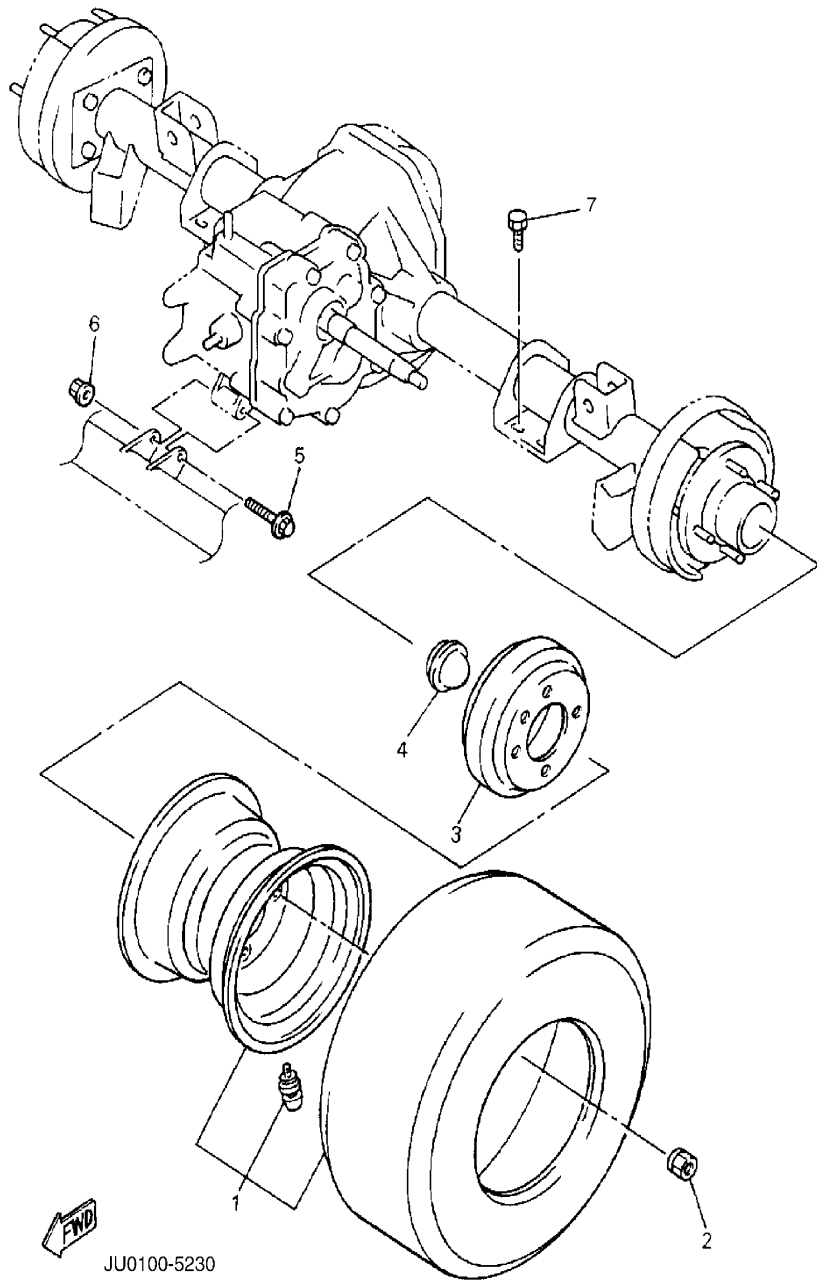
CONTENTS

ACCELERATOR	C2
AIR SHROUD FAN	A6
BODY 1	D1-2
BODY 2	D3-4
BODY FITTING	D5
BRAKE 1	B10-11
BRAKE 2	B12
BRAKE 3	C1
BUMPER	C12
CAMSHAFT VALVE	A5
CARBURETOR	A8
CARRIER	D6
CRANKCASE	A10
CRANKSHAFT PISTON	A4
CYLINDER HEAD	A3
ELECTRICAL 1	D10
ELECTRICAL 2	D11-12
ENGINE ASSEMBLY	A2
ENGINE BRACKET 209201~	A12
ENGINE MOUNT ~209200	A11
EXHAUST	A9
FRAME	B3
FRONT SUSPENSION WHEEL	B4-5
FUEL TANK 209201~	B9
FUEL TANK ~209200	B8
GOVERNOR	C3
INTAKE	A7
OPTIONAL LIGHT KIT	E3
OPTIONAL LIGHT KIT	E4-5
STREAMLINE JU0	E2
OPTIONAL SUN ROOF	E1
OPTIONAL WINDSHIELD	E1
PRIMARY SHEAVE	C5
JU0-102249~	C5
PRIMARY SHEAVE	C4
~JU0-102248	C4
REAR ARM SUSPENSION	B2
209201~	B2
REAR ARM SUSPENSION	B1
~209200	B1
REAR AXLE MOUNT WHEEL	C10
SEAT	D7
SECONDARY SHEAVE	C6
SHIFTER CABLES	C11
STARTING MOTOR	D8-9
STEERING	B6-7
TRANSMISSION 1	C7-9
~MODELS IN THIS CATALOG	E6



REAR AXLE MOUNT WHEEL

Ref. No.	Part Number	Description	Qty	Remarks
1	JN6-F5100-11-00	WHEEL ASSY (18X8.5-8 4PR)	2	UR KENDA
	JU0-F5100-00-00	WHEEL ASSY (18X8.5-8 4PR)	2	UR MAXXIS PRORIDE
	JN6-F5100-30-00	WHEEL ASSY (18X8.5-8 4PR)	2	CHROME WHEEL FOR LE
2	90179-12262-00	NUT	8	
3	J55-G6521-10-00	DRUM	2	UR ~JU0-209201
	JU0-G6521-00-00	DRUM	2	UR JU0-209200~
4	JN6-F5118-00-00	COVER, HUB DUST	2	
5	9581P-08075-00	BOLT, FLANGE	1	
6	95707-08500-00	NUT, FLANGE	1	
7	9751P-10620-00	BOLT, WITH WASHER	8	



CONTENTS

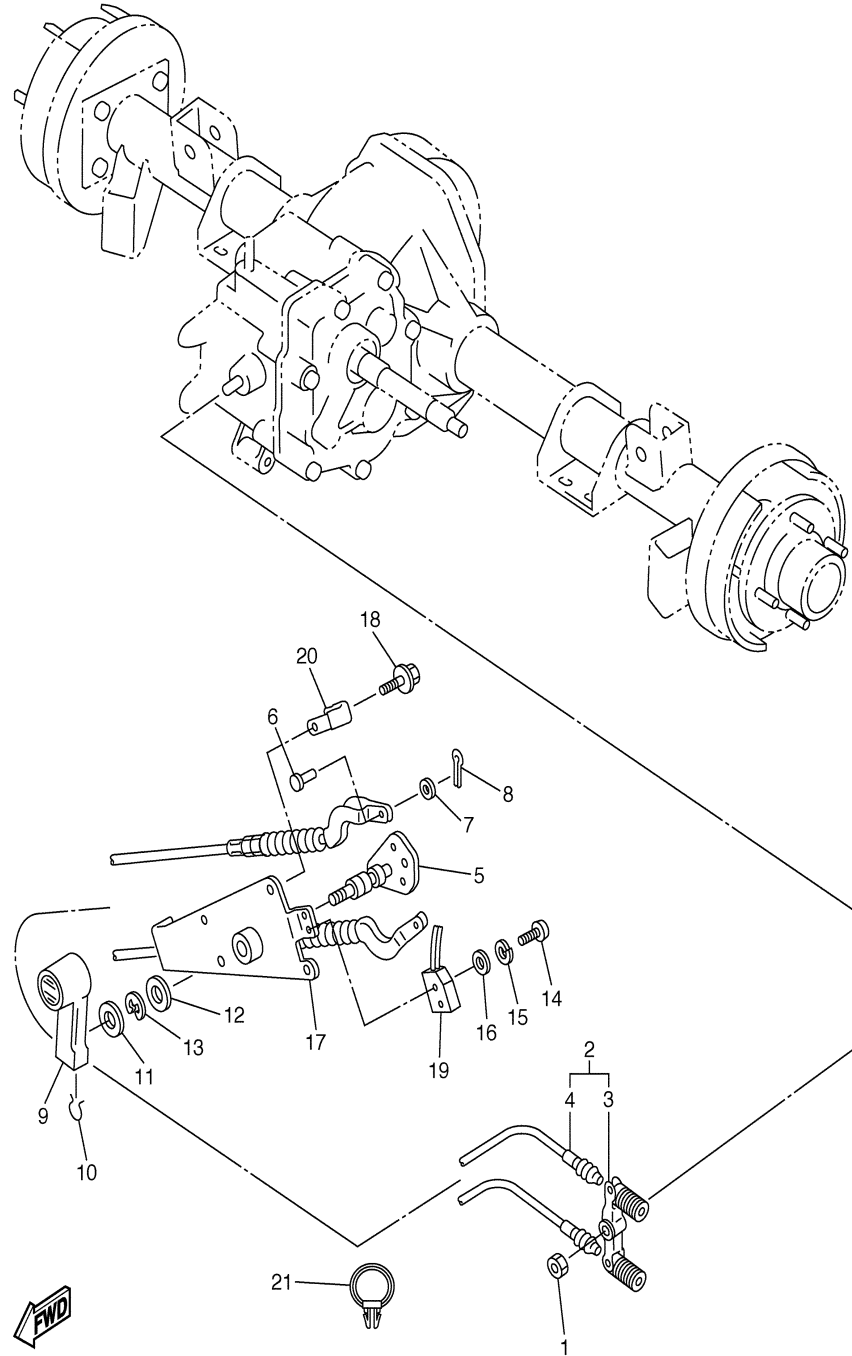
ACCELERATOR	C2
AIR SHROUD FAN	A6
BODY 1	D1-2
BODY 2	D3-4
BODY FITTING	D5
BRAKE 1	B10-11
BRAKE 2	B12
BRAKE 3	C1
BUMPER	C12
CAMSHAFT VALVE	A5
CARBURETOR	A8
CARRIER	D6
CRANKCASE	A10
CRANKSHAFT PISTON	A4
CYLINDER HEAD	A3
ELECTRICAL 1	D10
ELECTRICAL 2	D11-12
ENGINE ASSEMBLY	A2
ENGINE BRACKET 209201~	A12
ENGINE MOUNT ~209200	A11
EXHAUST	A9
FRAME	B3
FRONT SUSPENSION WHEEL	B4-5
FUEL TANK 209201~	B9
FUEL TANK ~209200	B8
GOVERNOR	C3
INTAKE	A7
OPTIONAL LIGHT KIT	E3
OPTIONAL LIGHT KIT STREAMLINE JU0	E4-5
OPTIONAL SUN ROOF	E2
OPTIONAL WINDSHIELD	E1
PRIMARY SHEAVE JU0-102249~	C5
PRIMARY SHEAVE ~JU0-102248	C4
REAR ARM SUSPENSION 209201~	B2
REAR ARM SUSPENSION ~209200	B1
REAR AXLE MOUNT WHEEL	C10
SEAT	D7
SECONDARY SHEAVE	C6
SHIFTER CABLES	C11
STARTING MOTOR	D8-9
STEERING	B6-7
TRANSMISSION 1	C7-9
~MODELS IN THIS CATALOG	E6

SHIFTER CABLES

Ref. No.	Part Number	Description	Qty	Remarks
1	95617-08100-00	NUT, U	1	
2	JN3-G8330-00-00	CABLE END ASSY	1	
3	J55-G6383-00-00	. LEVER, SHIFT 2	1	
4	JN3-G6371-00-00	. WIRE, SHIFT	2	
5	JF2-46382-00-00	LEVER, SHIFT 1	1	
6	91701-06014-00	PIN, CLEVIS	2	
7	9290P-06600-00	WASHER	2	
8	91401-20012-00	PIN, COTTER	2	
9	JN3-G6381-00-00	KNOB, SHIFT	1	
10	JN3-G6376-00-00	SPRING, SET	1	
11	90201-208S8-00	WASHER, PLATE	1	
12	90201-198S7-00	WASHER, PLATE	1	
13	99009-19400-00	CIRCLIP	1	
14	98507-04016-00	SCREW, PAN HEAD	2	
15	92907-04100-00	WASHER, SPRING	2	
16	92907-04600-00	WASHER	2	
17	JN3-G6372-00-00	BRACKET, SHIFT WIRE	1	
18	90105-06876-00	BOLT, FLANGE	4	
19	JN3-82617-01-00	SWITCH	1	
20	90465-06038-00	CLAMP	1	
21	90464-19815-00	CLAMP	1	

CONTENTS

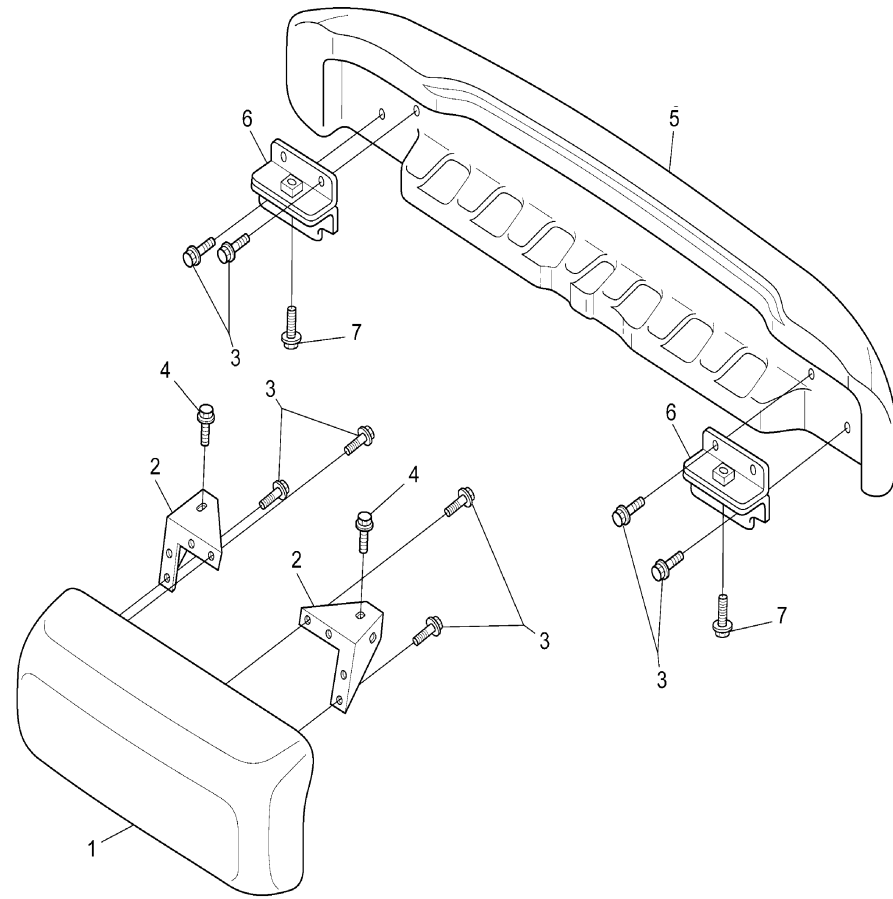
ACCELERATOR	C2
AIR SHROUD FAN	A6
BODY 1	D1-2
BODY 2	D3-4
BODY FITTING	D5
BRAKE 1	B10-11
BRAKE 2	B12
BRAKE 3	C1
BUMPER	C12
CAMSHAFT VALVE	A5
CARBURETOR	A8
CARRIER	D6
CRANKCASE	A10
CRANKSHAFT PISTON	A4
CYLINDER HEAD	A3
ELECTRICAL 1	D10
ELECTRICAL 2	D11-12
ENGINE ASSEMBLY	A2
ENGINE BRACKET 209201~	A12
ENGINE MOUNT ~209200	A11
EXHAUST	A9
FRAME	B3
FRONT SUSPENSION WHEEL	B4-5
FUEL TANK 209201~	B9
FUEL TANK ~209200	B8
GOVERNOR	C3
INTAKE	A7
OPTIONAL LIGHT KIT	E3
OPTIONAL LIGHT KIT	
STREAMLINE JU0	E4-5
OPTIONAL SUN ROOF	E2
OPTIONAL WINDSHIELD	E1
PRIMARY SHEAVE	
JU0-102249~	C5
PRIMARY SHEAVE	
~JU0-102248	C4
REAR ARM SUSPENSION	
209201~	B2
REAR ARM SUSPENSION	
~209200	B1
REAR AXLE MOUNT WHEEL	C10
SEAT	D7
SECONDARY SHEAVE	C6
SHIFTER CABLES	C11
STARTING MOTOR	D8-9
STEERING	B6-7
TRANSMISSION 1	C7-9
~MODELS IN THIS CATALOG	E6



JT71010-B240

BUMPER

Ref. No.	Part Number	Description	Qty	Remarks
1	JN3-K7510-02-00	FRONT BUMPER COMP.	1	
2	JU0-K8164-00-00	STAY, FRONT BUMPER	2	
3	90105-06876-00	BOLT, FLANGE	8	
4	9581P-08012-00	BOLT, FLANGE	2	
5	JN6-K7540-00-00	REAR BUMPER COMP.	1	
6	JN3-K8174-00-00	STAY, REAR BUMPER	2	
7	90105-10881-00	BOLT, FLANGE	2	



JU0100-5240

CONTENTS

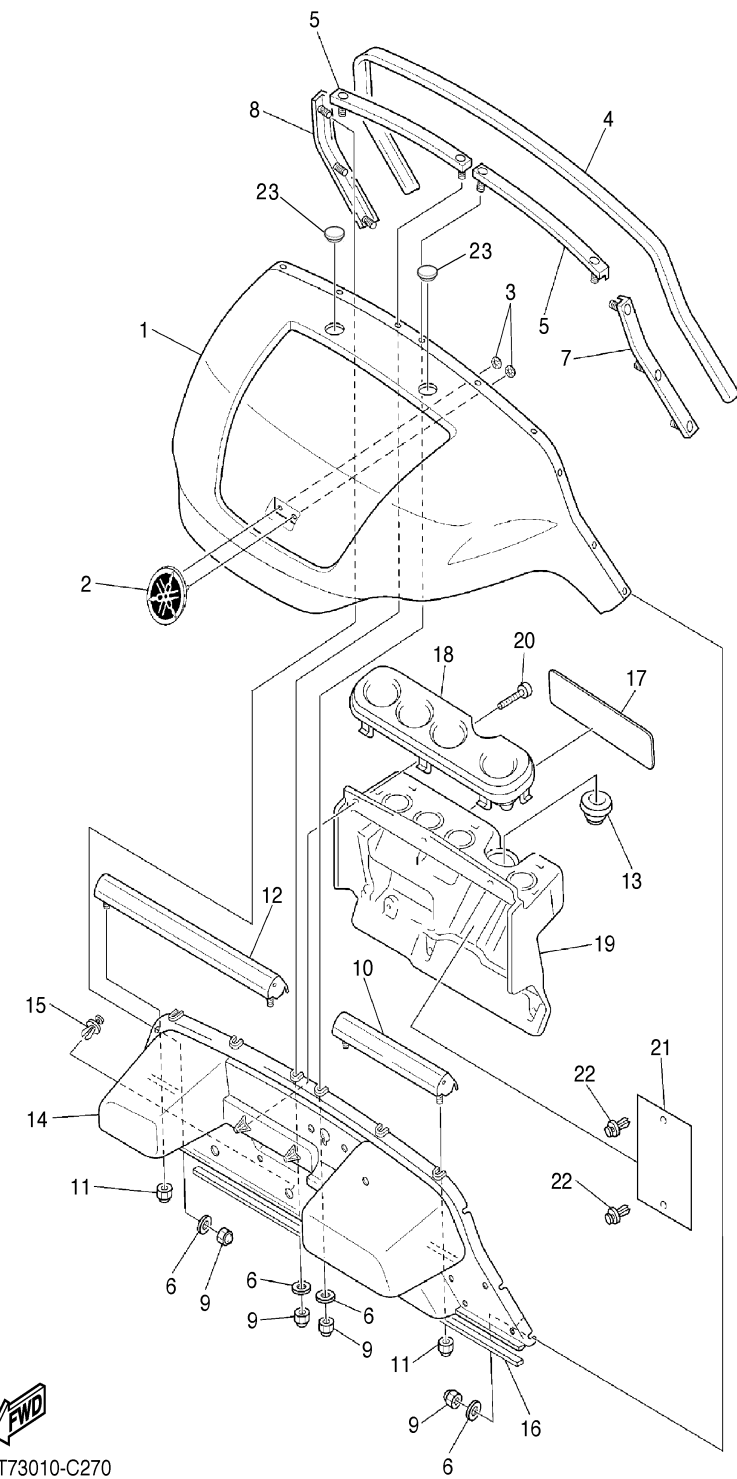
ACCELERATOR	C2
AIR SHROUD FAN	A6
BODY 1	D1-2
BODY 2	D3-4
BODY FITTING	D5
BRAKE 1	B10-11
BRAKE 2	B12
BRAKE 3	C1
BUMPER	C12
CAMSHAFT VALVE	A5
CARBURETOR	A8
CARRIER	D6
CRANKCASE	A10
CRANKSHAFT PISTON	A4
CYLINDER HEAD	A3
ELECTRICAL 1	D10
ELECTRICAL 2	D11-12
ENGINE ASSEMBLY	A2
ENGINE BRACKET 209201~	A12
ENGINE MOUNT ~209200	A11
EXHAUST	A9
FRAME	B3
FRONT SUSPENSION WHEEL	B4-5
FUEL TANK 209201~	B9
FUEL TANK ~209200	B8
GOVERNOR	C3
INTAKE	A7
OPTIONAL LIGHT KIT	E3
OPTIONAL LIGHT KIT	
STREAMLINE JU0	E4-5
OPTIONAL SUN ROOF	E2
OPTIONAL WINDSHIELD	E1
PRIMARY SHEAVE	
JU0-102249~	C5
PRIMARY SHEAVE	
~JU0-102248	C4
REAR ARM SUSPENSION	
209201~	B2
REAR ARM SUSPENSION	
~209200	B1
REAR AXLE MOUNT WHEEL	C10
SEAT	D7
SECONDARY SHEAVE	C6
SHIFTER CABLES	C11
STARTING MOTOR	D8-9
STEERING	B6-7
TRANSMISSION 1	C7-9
~MODELS IN THIS CATALOG	E6

BODY 1

Ref. No.	Part Number	Description	Qty	Remarks
1	JU0-K8115-00-00	COWL, FRONT	1	IVORY
	JU0-K8115-30-00	COWL, FRONT	1	BURGUNDY
	JU0-K8115-50-00	COWL, FRONT	1	HUNTER GREEN
	JU0-K8115-60-00	COWL, FRONT	1	CANDY APPLE RED
	JU0-K8115-70-00	COWL, FRONT	1	BRILLIANT BLUE MET.
	JU0-K8115-80-00	COWL, FRONT	1	BRIGHT BLUE MET.
	JU0-K8115-90-00	COWL, FRONT	1	PURE WHITE
2	JU0-F4161-00-00	EMBLEM 1	1	
3	JU0-K7573-00-00	NUT, SPECIAL	2	
4	JF2-K811V-00-00	PROTECTOR 1	1	
5	JU0-K8261-00-00	PLATE, BODY PROTECT 1 ...	2	
6	90201-06829-00	WASHER, PLATE	10	
7	JF2-K8262-01-00	PLATE, BODY PROTECT 2 ...	1	
8	JF2-K8263-01-00	PLATE, BODY PROTECT 3 ...	1	
9	90185-06836-00	NUT, SELF-LOCKING	10	
10	JN6-K8264-00-00	PLATE, BODY PROTECTOR ..	1	
11	9560P-06200-00	NUT, FLANGE	4	
12	JN6-K8265-00-00	PLATE, BODY PROTECT 5 ...	1	
13	JN3-K8273-00-00	COVER, HOLE	1	
14	JF2-K8114-03-00	PANEL, FRONT	1	
15	90269-08069-00	RIVET	3	
16	JN3-K815G-00-00	SEAL, FRONT STORAGE	1	
17	JN3-K7768-00-00	LABEL, WARNING	1	UR FOR USA
	JN3-K7768-10-00	LABEL, WARNING 8	1	UR FOR CANADA
	JN3-K7768-20-00	LABEL, WARNING	1	UR FOR EUROPE
18	JN6-K835E-00-00	HOLDER, BEVERAGE	1	
19	JN3-K835G-00-00	HOUSING, HOLDER	1	ALSO REPLACE WARNING LABEL 8
20	9770P-60130-00	SCREW, TAPPING	6	
21	JN6-K8182-00-00	PLATE 2	1	

CONTENTS

ACCELERATOR	C2
AIR SHROUD FAN	A6
BODY 1	D1-2
BODY 2	D3-4
BODY FITTING	D5
BRAKE 1	B10-11
BRAKE 2	B12
BRAKE 3	C1
BUMPER	C12
CAMSHAFT VALVE	A5
CARBURETOR	A8
CARRIER	D6
CRANKCASE	A10
CRANKSHAFT PISTON	A4
CYLINDER HEAD	A3
ELECTRICAL 1	D10
ELECTRICAL 2	D11-12
ENGINE ASSEMBLY	A2
ENGINE BRACKET 209201~	A12
ENGINE MOUNT ~209200	A11
EXHAUST	A9
FRAME	B3
FRONT SUSPENSION WHEEL	B4-5
FUEL TANK 209201~	B9
FUEL TANK ~209200	B8
GOVERNOR	C3
INTAKE	A7
OPTIONAL LIGHT KIT	E3
OPTIONAL LIGHT KIT STREAMLINE JU0	E4-5
OPTIONAL SUN ROOF	E2
OPTIONAL WINDSHIELD	E1
PRIMARY SHEAVE JU0-102249~	C5
PRIMARY SHEAVE ~JU0-102248	C4
REAR ARM SUSPENSION 209201~	B2
REAR ARM SUSPENSION ~209200	B1
REAR AXLE MOUNT WHEEL	C10
SEAT	D7
SECONDARY SHEAVE	C6
SHIFTER CABLES	C11
STARTING MOTOR	D8-9
STEERING	B6-7
TRANSMISSION 1	C7-9
~MODELS IN THIS CATALOG	E6



 JT73010-C270

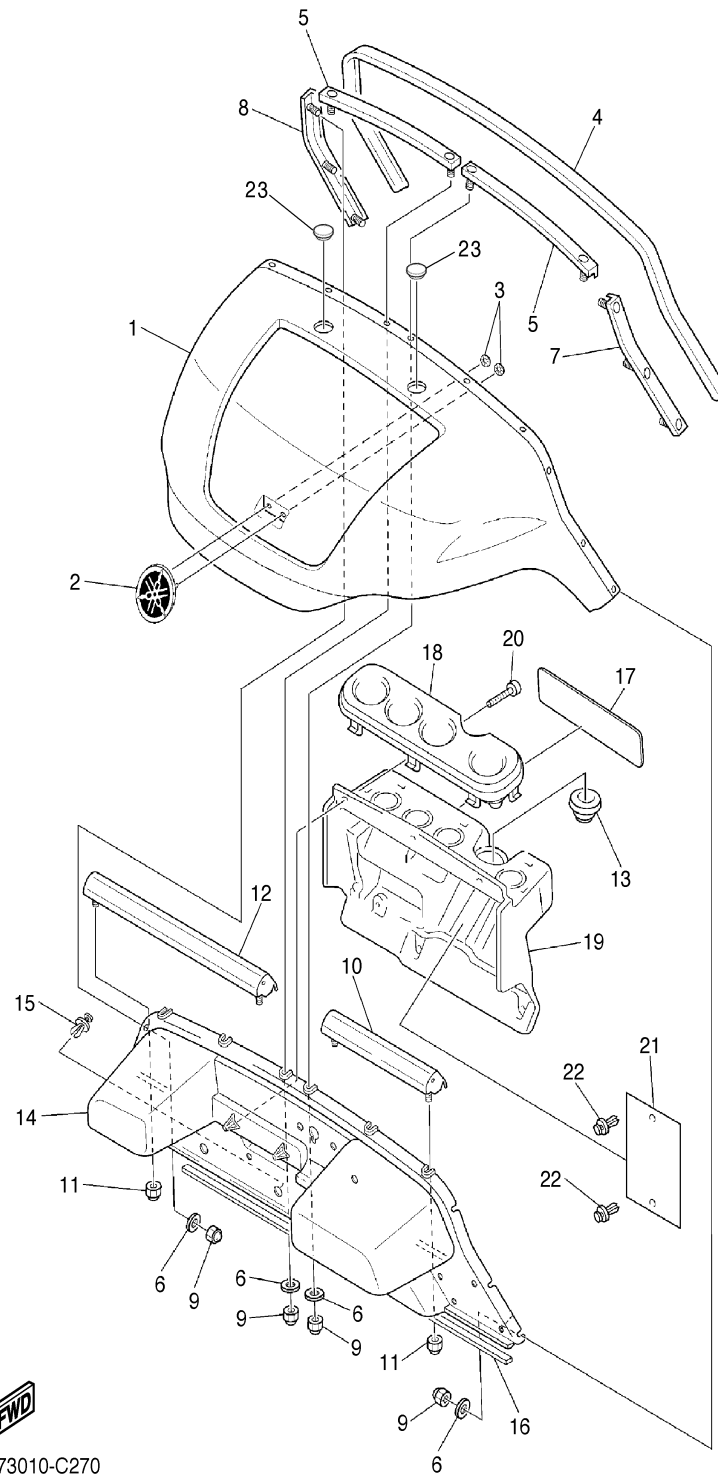
CONTINUED ON NEXT FRAME ➤

BODY 1

Ref. No.	Part Number	Description	Qty	Remarks
22	90267-63047-00	RIVET, BLIND	2	
23	JN3-K818E-00-00	CAP, PROTECTOR	2	WITHOUT SUNTOP

CONTENTS

ACCELERATOR	C2
AIR SHROUD FAN	A6
BODY 1	D1-2
BODY 2	D3-4
BODY FITTING	D5
BRAKE 1	B10-11
BRAKE 2	B12
BRAKE 3	C1
BUMPER	C12
CAMSHAFT VALVE	A5
CARBURETOR	A8
CARRIER	D6
CRANKCASE	A10
CRANKSHAFT PISTON	A4
CYLINDER HEAD	A3
ELECTRICAL 1	D10
ELECTRICAL 2	D11-12
ENGINE ASSEMBLY	A2
ENGINE BRACKET 209201~	A12
ENGINE MOUNT ~209200	A11
EXHAUST	A9
FRAME	B3
FRONT SUSPENSION WHEEL	B4-5
FUEL TANK 209201~	B9
FUEL TANK ~209200	B8
GOVERNOR	C3
INTAKE	A7
OPTIONAL LIGHT KIT	E3
OPTIONAL LIGHT KIT	E3
STREAMLINE JU0	E4-5
OPTIONAL SUN ROOF	E2
OPTIONAL WINDSHIELD	E1
PRIMARY SHEAVE	
JU0-102249~	C5
PRIMARY SHEAVE	
~JU0-102248	C4
REAR ARM SUSPENSION	
209201~	B2
REAR ARM SUSPENSION	
~209200	B1
REAR AXLE MOUNT WHEEL	C10
SEAT	D7
SECONDARY SHEAVE	C6
SHIFTER CABLES	C11
STARTING MOTOR	D8-9
STEERING	B6-7
TRANSMISSION 1	C7-9
~MODELS IN THIS CATALOG	E6



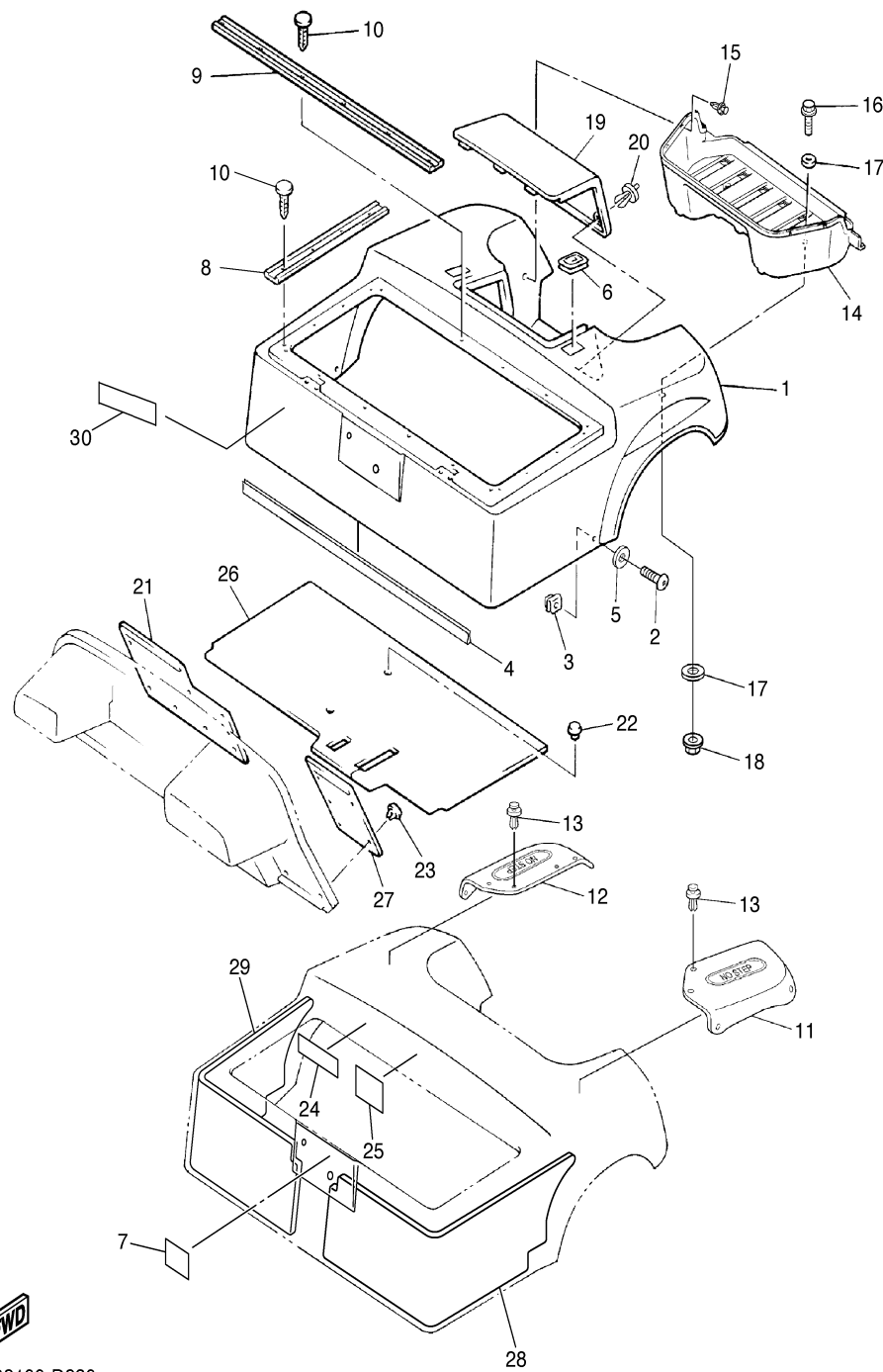
JT73010-C270

BODY 2

Ref. No.	Part Number	Description	Qty	Remarks
1	JN6-K8142-02-00	PANEL, REAR BODY	1	IVORY
	JN6-K8142-52-00	PANEL, REAR BODY	1	HUNTER GREEN
	JU0-K8142-32-00	PANEL, REAR BODY	1	BURGUNDY
	JU0-K8142-62-00	PANEL, REAR BODY	1	CANDY APPLE RED
	JU0-K8142-82-00	PANEL, REAR BODY	1	BRIGHT BLUE MET.
	JU0-K8142-90-00	PANEL, REAR BODY	1	PURE WHITE
	JU0-K8142-72-00	PANEL, REAR BODY	1	BRILLIANT BLUE MET.
2	90110-06200-00	BOLT, HEX SOCKET HD	2	
3	90183-06811-00	NUT, SPRING	2	
4	JN6-K824E-00-00	TRIM, REAR BODY 1	1	
5	90201-068H0-00	WASHER, PLATE	2	
6	JN3-K8363-00-00	PROTECTOR	2	
7	JN3-K7741-00-00	INDICATOR 1	1	SEE NOTE
8	JN3-K8425-00-00	SEAL, SEAT	2	
9	JN3-K842A-00-00	SEAL, SEAT 2	1	
10	90338-05834-00	PLUG	20	
11	JN3-K8243-00-00	MAT, REAR BODY SIDE (LH) .	1	
12	JN3-K8244-00-00	MAT, REAR BODY SIDE (RH) .	1	
13	90269-07810-00	RIVET	10	
14	JF2-K8237-00-00	COVER, REAR FLOOR	1	
15	90269-08813-00	RIVET	7	
16	90101-06876-00	BOLT	2	
17	90201-068G7-00	WASHER, PLATE	4	
18	9572R-06300-00	NUT, NYLON	2	
19	JU0-K8151-00-00	PANEL, INSTRUCTION LID 1 ..	1	
20	90269-06804-00	RIVET	2	
21	JN6-K8232-01-00	MAT, MAIN FLOOR 2	1	
22	90269-08813-00	RIVET	4	
23	90267-63047-00	RIVET, BLIND	9	

CONTENTS

ACCELERATOR	C2
AIR SHROUD FAN	A6
BODY 1	D1-2
BODY 2	D3-4
BODY FITTING	D5
BRAKE 1	B10-11
BRAKE 2	B12
BRAKE 3	C1
BUMPER	C12
CAMSHAFT VALVE	A5
CARBURETOR	A8
CARRIER	D6
CRANKCASE	A10
CRANKSHAFT PISTON	A4
CYLINDER HEAD	A3
ELECTRICAL 1	D10
ELECTRICAL 2	D11-12
ENGINE ASSEMBLY	A2
ENGINE BRACKET 209201~	A12
ENGINE MOUNT ~209200	A11
EXHAUST	A9
FRAME	B3
FRONT SUSPENSION WHEEL	B4-5
FUEL TANK 209201~	B9
FUEL TANK ~209200	B8
GOVERNOR	C3
INTAKE	A7
OPTIONAL LIGHT KIT	E3
OPTIONAL LIGHT KIT	E4-5
STREAMLINE JU0	E2
OPTIONAL SUN ROOF	E1
OPTIONAL WINDSHIELD	E1
PRIMARY SHEAVE	C5
JU0-102249~	C5
PRIMARY SHEAVE	C4
~JU0-102248	C4
REAR ARM SUSPENSION	B2
209201~	B2
REAR ARM SUSPENSION	B1
~209200	B1
REAR AXLE MOUNT WHEEL	C10
SEAT	D7
SECONDARY SHEAVE	C6
SHIFTER CABLES	C11
STARTING MOTOR	D8-9
STEERING	B6-7
TRANSMISSION 1	C7-9
~MODELS IN THIS CATALOG	E6



JU02100-D280

NOTE: WHEN REPLACING REAR BODY PANEL,
REPLACE REF #S 7, 24 AND 25 AS WELL.

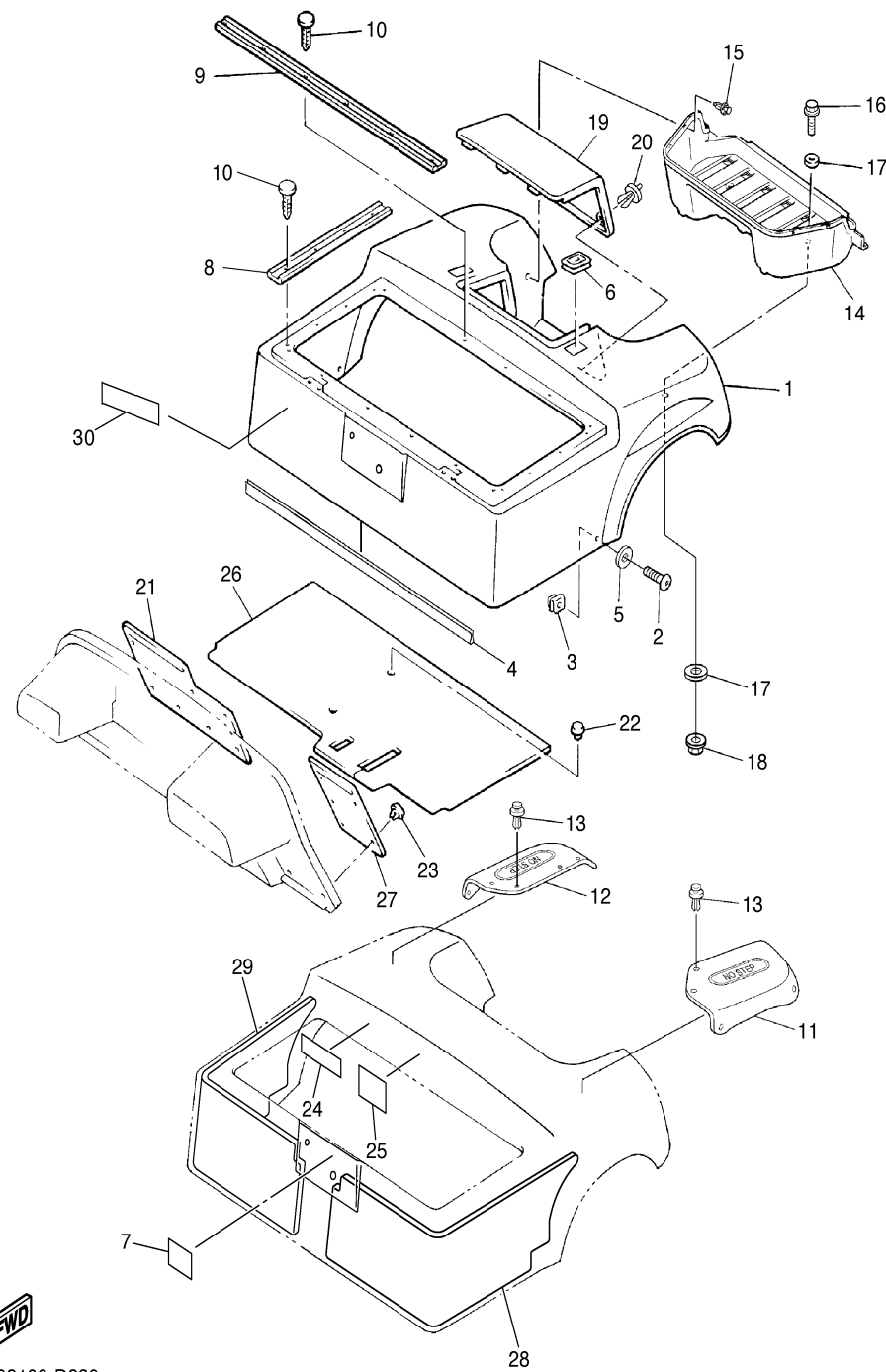
CONTINUED ON NEXT FRAME ►

BODY 2

Ref. No.	Part Number	Description	Qty	Remarks
24	JN3-K8297-10-00	PLATE, CAUTION 1	1	SEE NOTE
25	JN3-K8299-10-00	PLATE, CAUTION	1	SEE NOTE
26	JN6-K8233-01-00	MAT, MAIN FLOOR 3	1	
27	JN6-K8231-01-00	MAT, MAIN FLOOR 1	1	
28	JN6-K8251-01-00	PAD, SILENCER 1	1	UR ~JU0-209200
	JU0-K8251-00-00	PAD, SILENCER 1	1	UR JU0-209201~
29	JN6-K8252-01-00	PAD, SILENCER 2	1	UR ~JU0-209200
	JU0-K8252-00-00	PAD, SILENCER 2	1	UR JU0-209201~
30	JU0-F1781-00-00	EMBLEM 1	1	"LIMITED EDITION"

CONTENTS

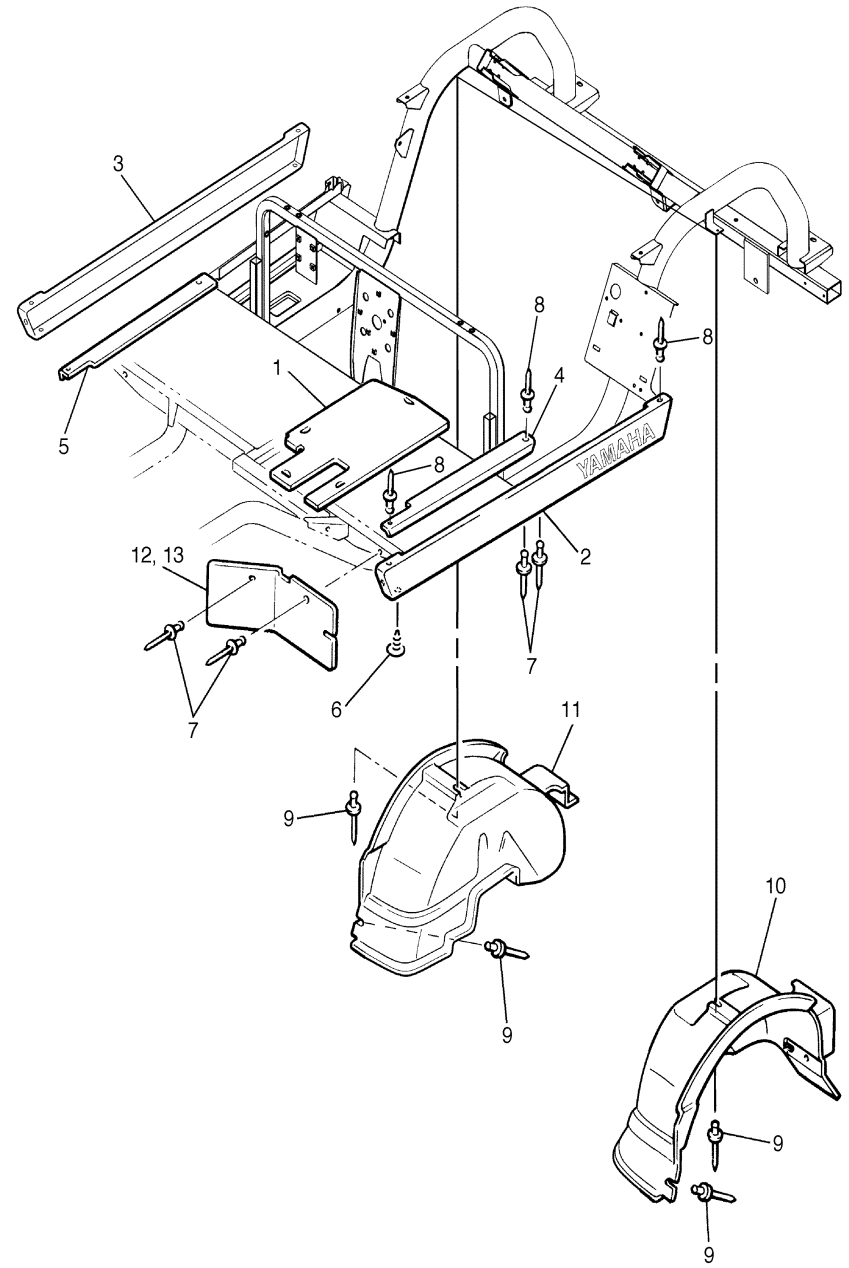
ACCELERATOR	C2
AIR SHROUD FAN	A6
BODY 1	D1-2
BODY 2	D3-4
BODY FITTING	D5
BRAKE 1	B10-11
BRAKE 2	B12
BRAKE 3	C1
BUMPER	C12
CAMSHAFT VALVE	A5
CARBURETOR	A8
CARRIER	D6
CRANKCASE	A10
CRANKSHAFT PISTON	A4
CYLINDER HEAD	A3
ELECTRICAL 1	D10
ELECTRICAL 2	D11-12
ENGINE ASSEMBLY	A2
ENGINE BRACKET 209201~	A12
ENGINE MOUNT ~209200	A11
EXHAUST	A9
FRAME	B3
FRONT SUSPENSION WHEEL	B4-5
FUEL TANK 209201~	B9
FUEL TANK ~209200	B8
GOVERNOR	C3
INTAKE	A7
OPTIONAL LIGHT KIT	E3
OPTIONAL LIGHT KIT STREAMLINE JU0	E4-5
OPTIONAL SUN ROOF	E2
OPTIONAL WINDSHIELD	E1
PRIMARY SHEAVE JU0-102249~	C5
PRIMARY SHEAVE ~JU0-102248	C4
REAR ARM SUSPENSION 209201~	B2
REAR ARM SUSPENSION ~209200	B1
REAR AXLE MOUNT WHEEL	C10
SEAT	D7
SECONDARY SHEAVE	C6
SHIFTER CABLES	C11
STARTING MOTOR	D8-9
STEERING	B6-7
TRANSMISSION 1	C7-9
-MODELS IN THIS CATALOG	E6



NOTE: WHEN REPLACING REAR BODY PANEL,
REPLACE REF #S 7, 24 AND 25 AS WELL.

BODY FITTING

Ref. No.	Part Number	Description	Qty	Remarks
1	JN6-K8271-00-00	SERVICE LID, PEDAL	1	
2	JU0-K818A-00-00	PROTECTOR, SIDE PLATE 1 ..	1	
3	JU0-K818B-00-00	PROTECTOR, SIDE PLATE 2 ..	1	
4	JF2-K8215-10-00	PLATE, SIDE TRIM 1	1	
5	JF2-K821F-10-00	PLATE, SIDE TRIM 2	1	
6	90338-05829-00	PLUG	4	
7	90267-48831-00	RIVET, BLIND	8	
8	90267-48154-00	RIVET, BLIND	6	
9	90267-48086-00	RIVET, BLIND	4	
10	JF2-K8191-00-00	PANEL, REAR FENDER 1	1	
11	JF2-K8192-00-00	PANEL, REAR FENDER 2	1	
12	JF2-K8187-00-00	FLAP, FRONT FENDER (L.H.) .	1	
13	JF2-K8189-00-00	FLAP, FRONT FENDER (R.H.) .	1	



CONTENTS

ACCELERATOR	C2
AIR SHROUD FAN	A6
BODY 1	D1-2
BODY 2	D3-4
BODY FITTING	D5
BRAKE 1	B10-11
BRAKE 2	B12
BRAKE 3	C1
BUMPER	C12
CAMSHAFT VALVE	A5
CARBURETOR	A8
CARRIER	D6
CRANKCASE	A10
CRANKSHAFT PISTON	A4
CYLINDER HEAD	A3
ELECTRICAL 1	D10
ELECTRICAL 2	D11-12
ENGINE ASSEMBLY	A2
ENGINE BRACKET 209201~	A12
ENGINE MOUNT ~209200	A11
EXHAUST	A9
FRAME	B3
FRONT SUSPENSION WHEEL	B4-5
FUEL TANK 209201~	B9
FUEL TANK ~209200	B8
GOVERNOR	C3
INTAKE	A7
OPTIONAL LIGHT KIT	E3
OPTIONAL LIGHT KIT STREAMLINE JU0	E4-5
OPTIONAL SUN ROOF	E2
OPTIONAL WINDSHIELD	E1
PRIMARY SHEAVE	
JU0-102249~	C5
PRIMARY SHEAVE ~JU0-102248	C4
REAR ARM SUSPENSION 209201~	B2
REAR ARM SUSPENSION ~209200	B1
REAR AXLE MOUNT WHEEL	C10
SEAT	D7
SECONDARY SHEAVE	C6
SHIFTER CABLES	C11
STARTING MOTOR	D8-9
STEERING	B6-7
TRANSMISSION 1	C7-9
~MODELS IN THIS CATALOG	E6



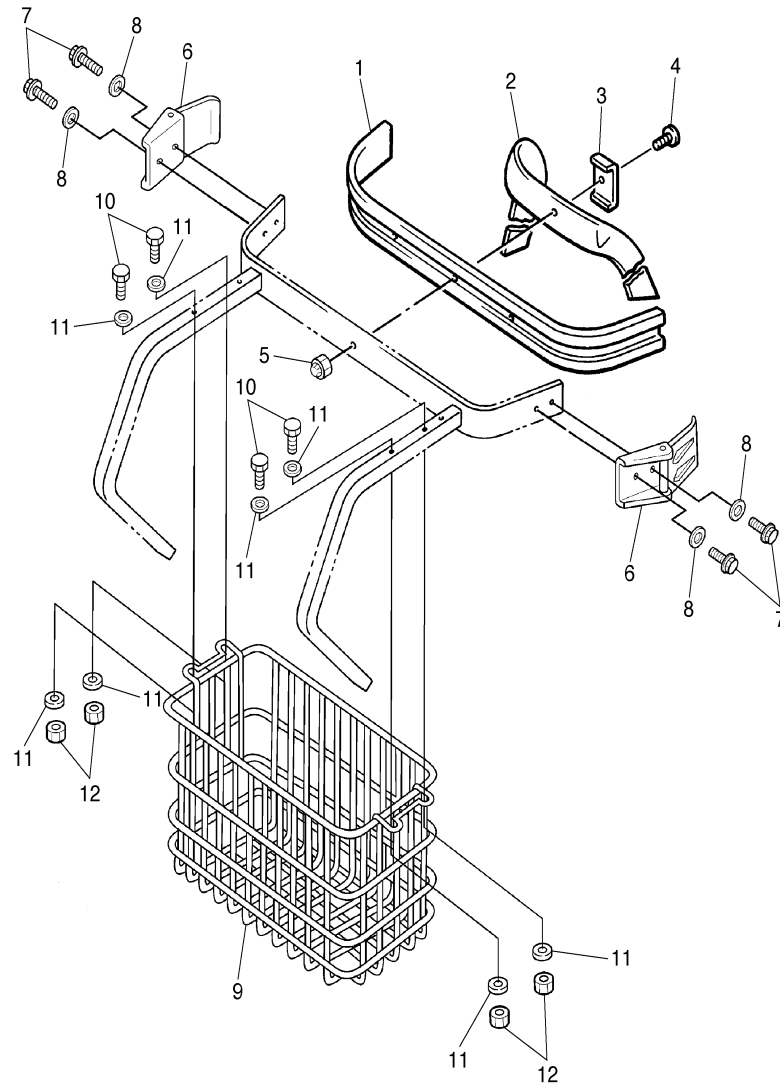
JW41110-C290

CARRIER

Ref. No.	Part Number	Description	Qty	Remarks
1	JF2-K8356-00-00	PAD, BAG SUPPORT	1	
2	JN6-K8355-00-00	BAND	1	
3	J38-78367-00-00	PLATE, ANCHOR	1	
4	90101-06865-00	BOLT	1	
5	90185-06836-00	NUT, SELF-LOCKING	1	
6	JN6-K8380-00-00	LOCK ASSY	2	
7	90159-06845-00	SCREW, WITH WASHER	4	
8	9299R-06200-00	WASHER	4	
9	JN6-K8340-00-00	LUGGAGE RACK ASSY., REAR	1	
10	90111-08803-00	BOLT	4	
11	90201-088R9-00	WASHER, PLATE	8	
12	90185-08832-00	NUT, SELF-Locking	4	

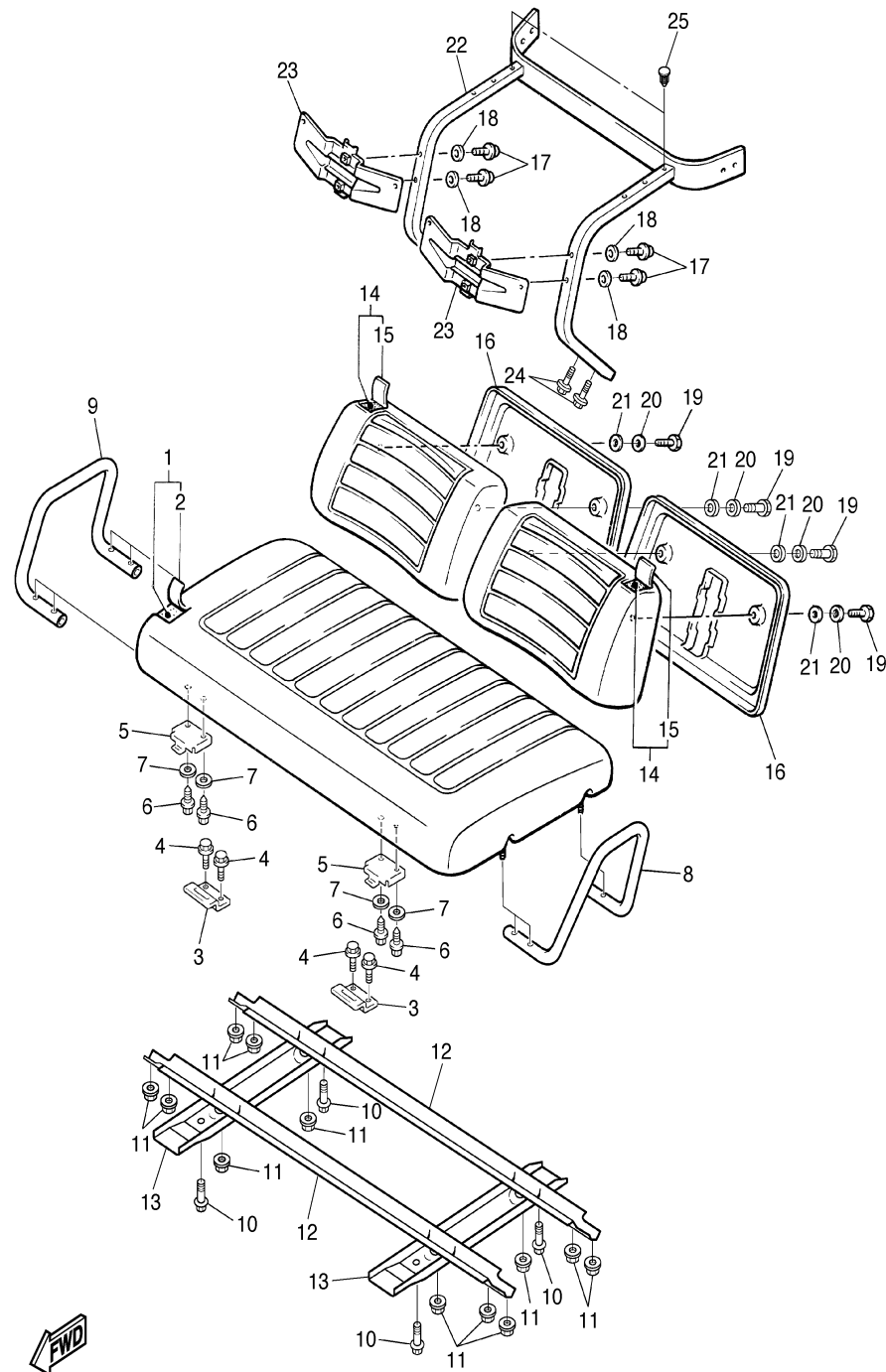
CONTENTS

ACCELERATOR	C2
AIR SHROUD FAN	A6
BODY 1	D1-2
BODY 2	D3-4
BODY FITTING	D5
BRAKE 1	B10-11
BRAKE 2	B12
BRAKE 3	C1
BUMPER	C12
CAMSHAFT VALVE	A5
CARBURETOR	A8
CARRIER	D6
CRANKCASE	A10
CRANKSHAFT PISTON	A4
CYLINDER HEAD	A3
ELECTRICAL 1	D10
ELECTRICAL 2	D11-12
ENGINE ASSEMBLY	A2
ENGINE BRACKET 209201~	A12
ENGINE MOUNT ~209200	A11
EXHAUST	A9
FRAME	B3
FRONT SUSPENSION WHEEL	B4-5
FUEL TANK 209201~	B9
FUEL TANK ~209200	B8
GOVERNOR	C3
INTAKE	A7
OPTIONAL LIGHT KIT	E3
OPTIONAL LIGHT KIT	
STREAMLINE JU0	E4-5
OPTIONAL SUN ROOF	E2
OPTIONAL WINDSHIELD	E1
PRIMARY SHEAVE	
JU0-102249~	C5
PRIMARY SHEAVE	
~JU0-102248	C4
REAR ARM SUSPENSION	
209201~	B2
REAR ARM SUSPENSION	
~209200	B1
REAR AXLE MOUNT WHEEL	C10
SEAT	D7
SECONDARY SHEAVE	C6
SHIFTER CABLES	C11
STARTING MOTOR	D8-9
STEERING	B6-7
TRANSMISSION 1	C7-9
~MODELS IN THIS CATALOG	E6



JT73010-C310

SEAT



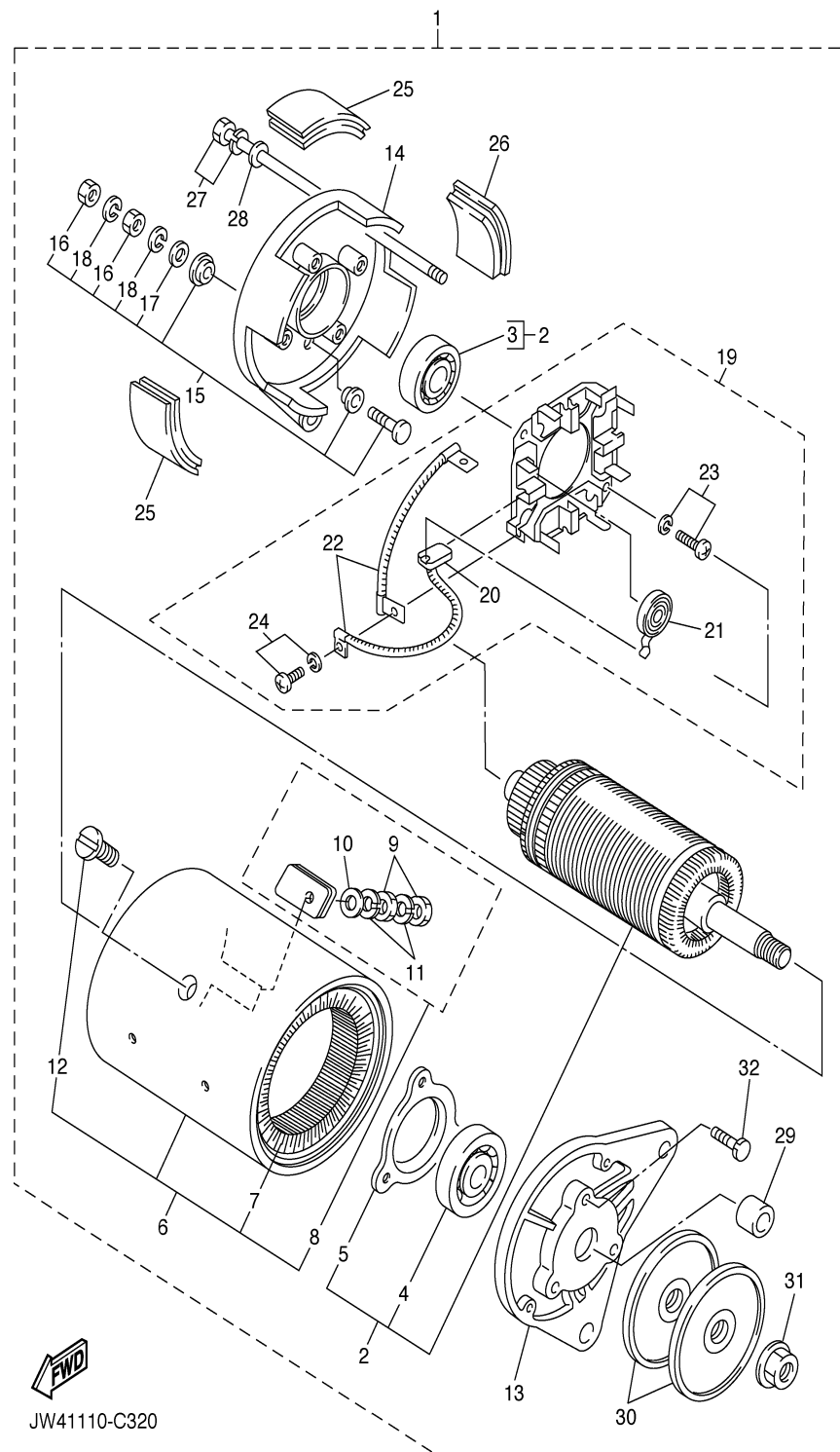
JT73010-C320

Ref. No.	Part Number	Description	Qty	Remarks
1	JN6-K8401-10-00	SEAT SUB-ASSY, CUSHION ..	1	UR IVORY WHITE
	JU0-K8401-00-00	SEAT SUB-ASSY, CUSHION ..	1	UR TAN
2	JN6-K8404-10-00	. COVER, SEAT 2	1	UR IVORY WHITE
	JU0-K8404-00-00	. COVER, SEAT	1	UR TAN
3	JF2-K8427-00-00	HINGE, SEAT 2	2	
4	90105-06903-00	BOLT, FLANGE	4	
5	JN3-K8426-01-00	HINGE, SEAT 1	2	
6	90111-06810-00	BOLT	4	
7	90204-06807-00	WASHER, SPRING	4	
8	JN6-K8361-00-00	ARM REST 1	1	
9	JU0-K8362-00-00	ARM REST 2	1	
10	90167-04815-00	SCREW, TAPPING	4	
11	9560P-08200-00	NUT	12	
12	JN6-K8121-00-00	REINFORCEMENT 1	2	
13	JN6-K8122-02-00	REINFORCEMENT 2	2	
14	JN3-K8402-00-00	SEAT SUB ASSY, BACK	2	UR IVORY WHITE
	JU0-K8402-00-00	SEAT SUB ASSY, BACK	2	UR TAN
15	JN3-K841G-09-00	. COVER, SEAT BACK 2	1	UR IVORY WHITE
	JU0-K841G-09-00	. COVER, SEAT BACK	1	UR TAN
16	JN3-K8413-00-00	COVER, SEAT BACK	2	
17	90119-08820-00	BOLT, WITH WASHER	4	
18	90201-098J4-00	WASHER, PLATE	4	
19	95880-06025-00	BOLT, FLANGE	4	
20	90201-068G0-00	WASHER, PLATE	4	
21	90201-068G6-00	WASHER, PLATE	4	
22	JU0-K8423-00-00	SUPPORT, SEAT BACK	1	
23	JN3-K842H-00-00	RETAINER, SEAT	2	
24	90105-08871-00	BOLT, FLANGE	4	
25	90338-09828-00	PLUG	2	

CONTENTS

ACCELERATOR	C2
AIR SHROUD FAN	A6
BODY 1	D1-2
BODY 2	D3-4
BODY FITTING	D5
BRAKE 1	B10-11
BRAKE 2	B12
BRAKE 3	C1
BUMPER	C12
CAMSHAFT VALVE	A5
CARBURETOR	A8
CARRIER	D6
CRANKCASE	A10
CRANKSHAFT PISTON	A4
CYLINDER HEAD	A3
ELECTRICAL 1	D10
ELECTRICAL 2	D11-12
ENGINE ASSEMBLY	A2
ENGINE BRACKET 209201~	A12
ENGINE MOUNT ~209200	A11
EXHAUST	A9
FRAME	B3
FRONT SUSPENSION WHEEL	B4-5
FUEL TANK 209201~	B9
FUEL TANK ~209200	B8
GOVERNOR	C3
INTAKE	A7
OPTIONAL LIGHT KIT	E3
OPTIONAL LIGHT KIT	
STREAMLINE JU0	E4-5
OPTIONAL SUN ROOF	E2
OPTIONAL WINDSHIELD	E1
PRIMARY SHEAVE	
JU0-102249~	C5
PRIMARY SHEAVE	
~JU0-102248	C4
REAR ARM SUSPENSION	
209201~	B2
REAR ARM SUSPENSION	
~209200	B1
REAR AXLE MOUNT WHEEL	C10
SEAT	D7
SECONDARY SHEAVE	C6
SHIFTER CABLES	C11
STARTING MOTOR	D8-9
STEERING	B6-7
TRANSMISSION 1	C7-9
~MODELS IN THIS CATALOG	E6

STARTING MOTOR



JW41110-C320

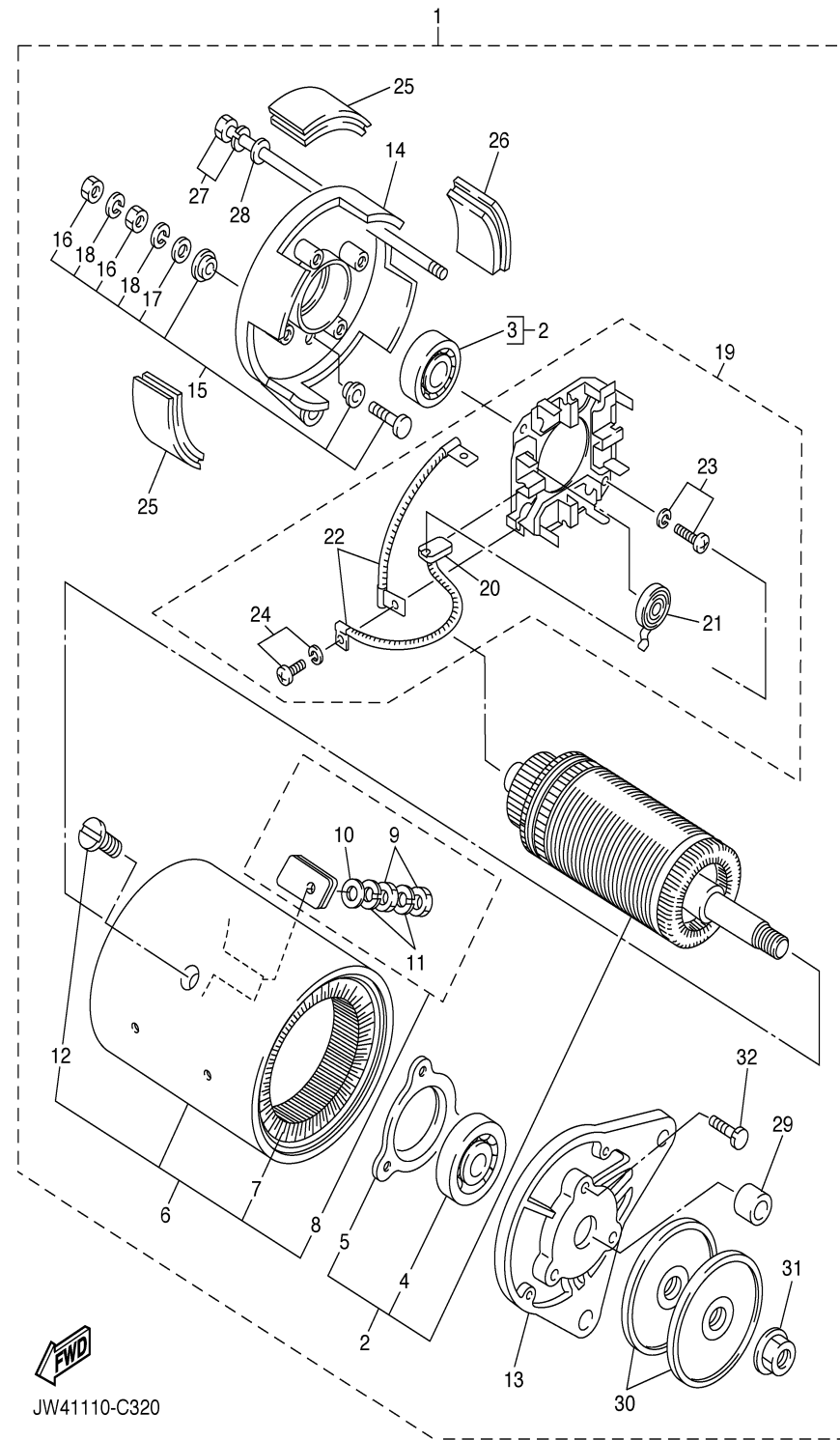
Ref. No.	Part Number	Description	Qty	Remarks
1	JN6-H1100-03-00	STARTER GENERATOR ASSY	1	
2	JN3-H1150-00-00	. ARMATURE ASSY	1	
3	J10-H1157-10-00	.. BEARING 1 (6202 SD)	1	
4	J10-H1158-10-00	.. BEARING 2 (6203 SD)	1	
5	J10-H1159-10-00	.. HOLDER, BEARING	1	
6	JN6-H1110-10-00	. STATOR ASSY	1	
7	JN6-H1160-10-00	.. FIELD COIL ASSY	1	
8	J10-81148-10-00	.. SCREW SET 4	2	
9	9530N-06600-00	... NUT	2	
10	9290N-06600-00	... WASHER	1	
11	9290N-06100-00	... WASHER, SPRING	2	
12	J10-H1146-10-00	.. SCREW 2	4	
13	JN6-H1165-00-00	. BRACKET, STARTER GENERATOR 1	1	
14	J10-H1166-10-00	. BRACKET, STARTER GENERATOR 2	1	
15	J10-H1147-10-00	. SCREW 3	2	
16	9530N-06600-00	.. NUT	2	
17	9290N-06600-00	.. WASHER	1	
18	9290N-06100-00	.. WASHER, SPRING	2	
19	JN6-H1119-00-00	. BRUSH HOLDER ASSY	1	
20	JF2-H1111-00-00	.. BRUSH	4	
21	JN6-H1113-00-00	.. SPRING, BRUSH	4	
22	J10-H1115-10-00	.. WIRE, LEAD	2	
23	9850N-05016-00	.. SCREW, PAN HEAD	2	
24	9850N-04010-00	.. SCREW, PAN HEAD	4	
25	J10-H1129-10-00	. COVER, BRUSH	3	
26	J10-H1139-10-00	. COVER, BRUSH 2	1	
27	J10-81145-10-00	. SCREW 1	2	
28	9290N-06600-00	. WASHER	2	
29	JN3-H1661-00-00	. SPACER	1	

CONTENTS

ACCELERATOR	C2
AIR SHROUD FAN	A6
BODY 1	D1-2
BODY 2	D3-4
BODY FITTING	D5
BRAKE 1	B10-11
BRAKE 2	B12
BRAKE 3	C1
BUMPER	C12
CAMSHAFT VALVE	A5
CARBURETOR	A8
CARRIER	D6
CRANKCASE	A10
CRANKSHAFT PISTON	A4
CYLINDER HEAD	A3
ELECTRICAL 1	D10
ELECTRICAL 2	D11-12
ENGINE ASSEMBLY	A2
ENGINE BRACKET 209201~	A12
ENGINE MOUNT ~209200	A11
EXHAUST	A9
FRAME	B3
FRONT SUSPENSION WHEEL	B4-5
FUEL TANK 209201~	B9
FUEL TANK ~209200	B8
GOVERNOR	C3
INTAKE	A7
OPTIONAL LIGHT KIT	E3
OPTIONAL LIGHT KIT	E4-5
STREAMLINE JU0	E2
OPTIONAL SUN ROOF	E1
OPTIONAL WINDSHIELD	E1
PRIMARY SHEAVE	C5
JU0-102249~	C5
PRIMARY SHEAVE	C4
~JU0-102248	C4
REAR ARM SUSPENSION	B2
209201~	B2
REAR ARM SUSPENSION	B1
~209200	B1
REAR AXLE MOUNT WHEEL	C10
SEAT	D7
SECONDARY SHEAVE	C6
SHIFTER CABLES	C11
STARTING MOTOR	D8-9
STEERING	B6-7
TRANSMISSION 1	C7-9
~MODELS IN THIS CATALOG	E6

CONTINUED ON NEXT FRAME ►

STARTING MOTOR



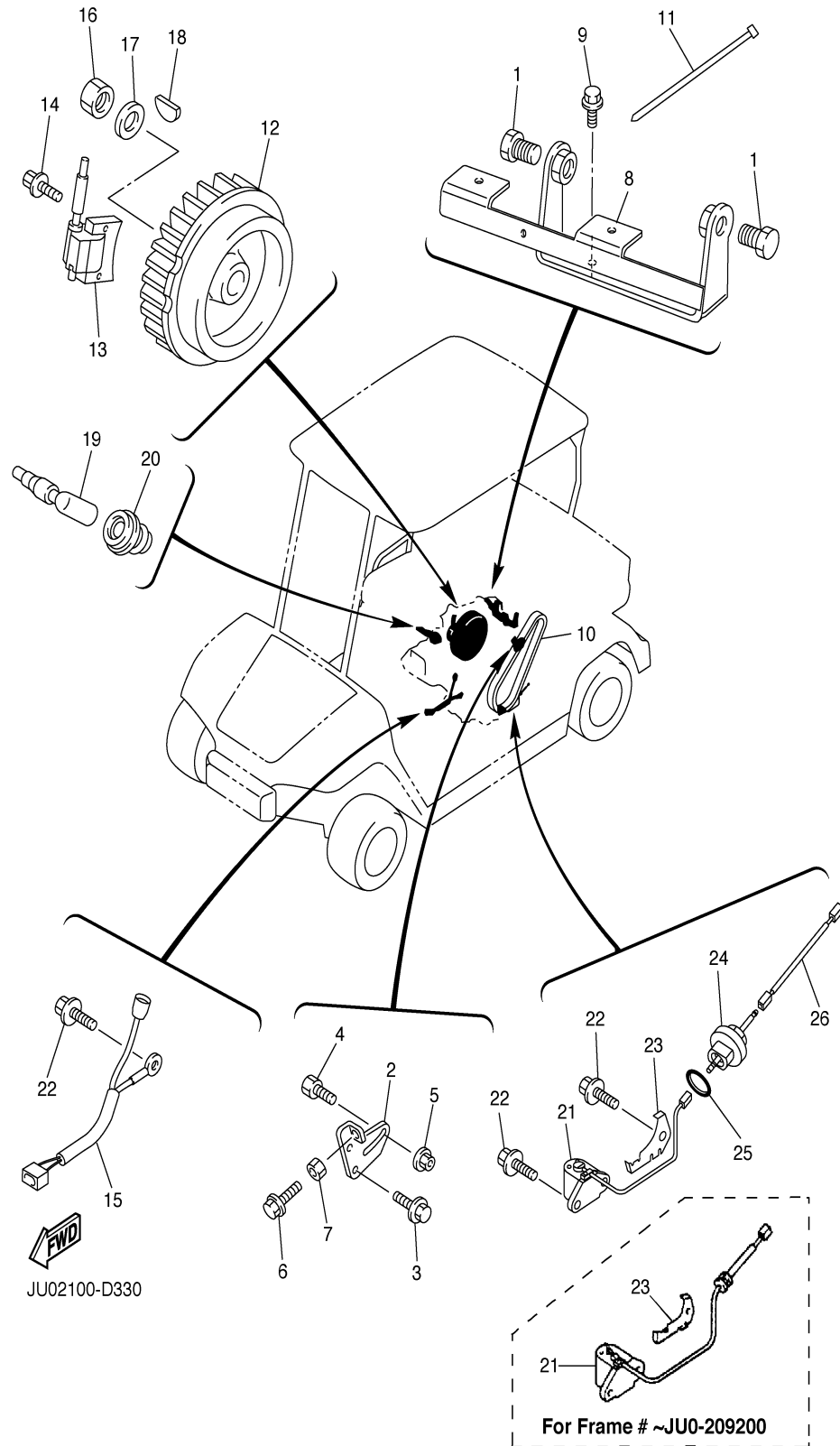
JW41110-C320

Ref. No.	Part Number	Description	Qty	Remarks
30	JN6-H1161-00-00	. PULLEY	2	
31	90179-16889-00	. NUT	1	
32	9850N-05018-00	. SCREW, PAN HEAD	3	

CONTENTS

ACCELERATOR	C2
AIR SHROUD FAN	A6
BODY 1	D1-2
BODY 2	D3-4
BODY FITTING	D5
BRAKE 1	B10-11
BRAKE 2	B12
BRAKE 3	C1
BUMPER	C12
CAMSHAFT VALVE	A5
CARBURETOR	A8
CARRIER	D6
CRANKCASE	A10
CRANKSHAFT PISTON	A4
CYLINDER HEAD	A3
ELECTRICAL 1	D10
ELECTRICAL 2	D11-12
ENGINE ASSEMBLY	A2
ENGINE BRACKET 209201~	A12
ENGINE MOUNT ~209200	A11
EXHAUST	A9
FRAME	B3
FRONT SUSPENSION WHEEL	B4-5
FUEL TANK 209201~	B9
FUEL TANK ~209200	B8
GOVERNOR	C3
INTAKE	A7
OPTIONAL LIGHT KIT	E3
OPTIONAL LIGHT KIT	E3
STREAMLINE JU0	E4-5
OPTIONAL SUN ROOF	E2
OPTIONAL WINDSHIELD	E1
PRIMARY SHEAVE	
JU0-102249~	C5
PRIMARY SHEAVE	
~JU0-102248	C4
REAR ARM SUSPENSION	
209201~	B2
REAR ARM SUSPENSION	
~209200	B1
REAR AXLE MOUNT WHEEL	C10
SEAT	D7
SECONDARY SHEAVE	C6
SHIFTER CABLES	C11
STARTING MOTOR	D8-9
STEERING	B6-7
TRANSMISSION 1	C7-9
-MODELS IN THIS CATALOG	E6

ELECTRICAL 1



Ref. No.	Part Number	Description	Qty	Remarks
1	9581P-12025-00	BOLT, FLANGE	2	
2	JN6-H1170-00-00	TENSIONER ASSY	1	
3	9582P-08020-00	BOLT, FLANGE	2	
4	90109-08875-00	BOLT	1	
5	95707-08500-00	NUT, FLANGE	1	
6	90101-06478-00	BOLT	1	
7	95307-06600-00	NUT	1	
8	JN6-H1171-00-00	BRACKET, STARTER GENERATOR	1	
9	9582P-08020-00	BOLT, FLANGE	2	
10	JN6-H1173-00-00	BELT	1	
11	90464-09823-00	CLAMP	1	
12	JR7-85650-00-00	ROTOR ASSY	1	
13	JN6-85640-01-00	T.C.I. UNIT ASSY	1	
14	95827-06025-00	BOLT, FLANGE	2	
15	JN6-82318-00-00	WIRE, SUB-LEAD	1	
16	95307-18600-00	NUT	1	
17	90201-18620-00	WASHER, PLATE	1	
18	90280-04052-00	KEY, WOODRUFF	1	
19	JN6-82370-00-00	PLUG CAP ASSY	1	
20	JE8-82372-00-00	SEAL, PLUG CAP	1	
21	JN6-85720-12-00	OIL LEVEL GAUGE ASSY	1	UR ~JU0-209200
	JT0-85720-00-00	OIL LEVEL GAUGE ASSY	1	UR JU0-209201~
22	95827-06012-00	BOLT, FLANGE	4	
23	JN6-85724-00-00	CLAMP	1	UR ~JU0-209201
	JT0-85724-00-00	CLAMP	1	UR JU0-209201~
24	JT0-15362-00-00	PLUG, OIL LEVEL	1	UR JU0-209201~
25	93210-15414-00	O-RING	1	UR JU0-209201~
26	JT0-8231Y-00-00	WIRE, LEAD	1	UR JU0-209201~

CONTENTS

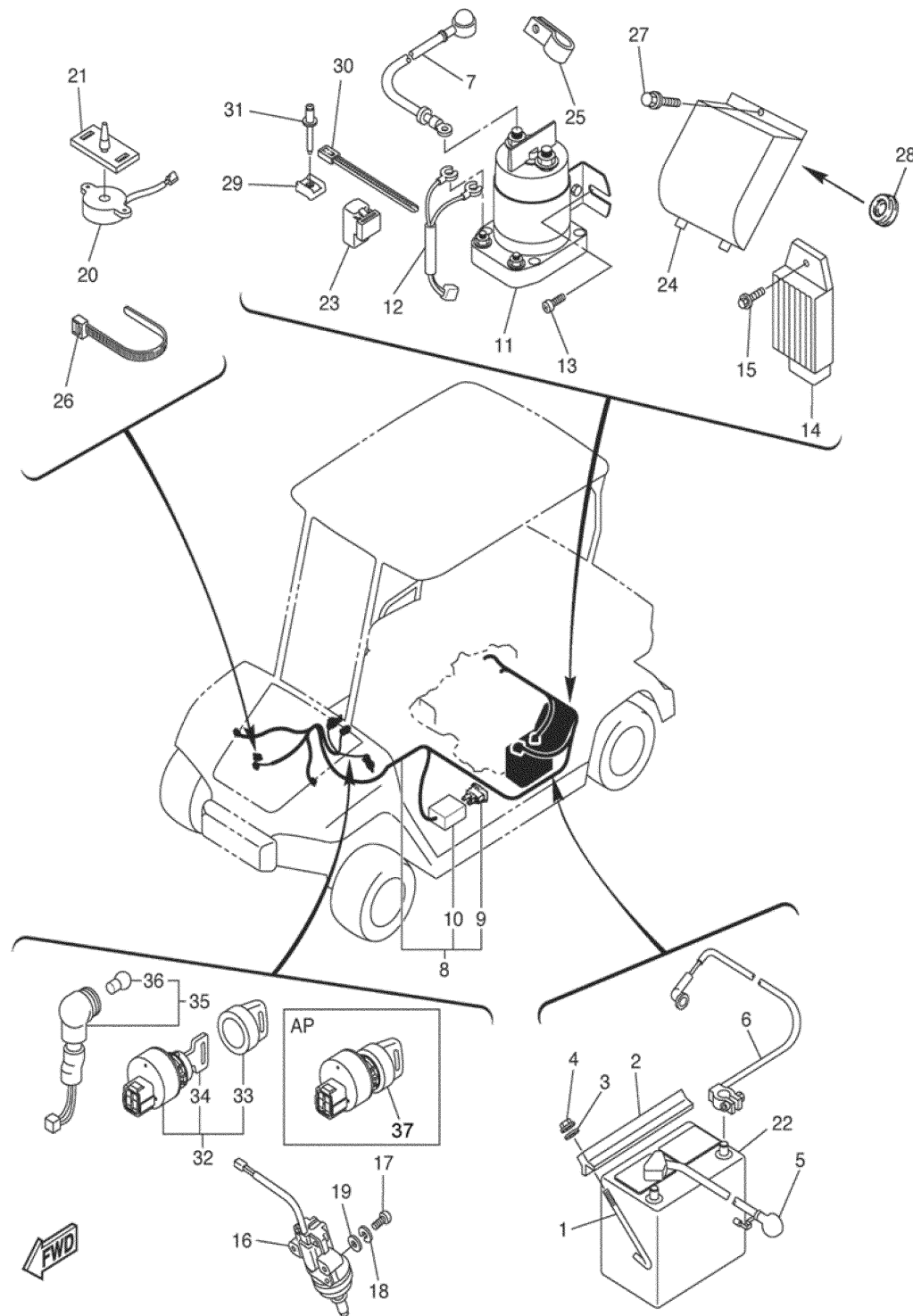
ACCELERATOR	C2
AIR SHROUD FAN	A6
BODY 1	D1-2
BODY 2	D3-4
BODY FITTING	D5
BRAKE 1	B10-11
BRAKE 2	B12
BRAKE 3	C1
BUMPER	C12
CAMSHAFT VALVE	A5
CARBURETOR	A8
CARRIER	D6
CRANKCASE	A10
CRANKSHAFT PISTON	A4
CYLINDER HEAD	A3
ELECTRICAL 1	D10
ELECTRICAL 2	D11-12
ENGINE ASSEMBLY	A2
ENGINE BRACKET 209201~	A12
ENGINE MOUNT ~209200	A11
EXHAUST	A9
FRAME	B3
FRONT SUSPENSION WHEEL	B4-5
FUEL TANK 209201~	B9
FUEL TANK ~209200	B8
GOVERNOR	C3
INTAKE	A7
OPTIONAL LIGHT KIT	E3
OPTIONAL LIGHT KIT	
STREAMLINE JU0	E4-5
OPTIONAL SUN ROOF	E2
OPTIONAL WINDSHIELD	E1
PRIMARY SHEAVE	
JU0-102249~	C5
PRIMARY SHEAVE	
~JU0-102248	C4
REAR ARM SUSPENSION	
209201~	B2
REAR ARM SUSPENSION	
~209200	B1
REAR AXLE MOUNT WHEEL	C10
SEAT	D7
SECONDARY SHEAVE	C6
SHIFTER CABLES	C11
STARTING MOTOR	D8-9
STEERING	B6-7
TRANSMISSION 1	C7-9
~MODELS IN THIS CATALOG	E6

ELECTRICAL 2

Ref. No.	Part Number	Description	Qty	Remarks
1	JN3-H2133-00-00	SCREW, FITTING	2	
2	J55-H2136-00-00	PLATE, BATTERY FITTING	1	
3	9290P-06200-00	WASHER	2	
4	95707-06500-00	NUT, FLANGE	2	
5	JN6-H2115-01-00	WIRE, PLUS LEAD	1	
6	JN6-H2116-01-00	WIRE, MINUS LEAD	1	
7	JN6-H2117-10-00	WIRE, LEAD	1	
8	JN6-H2590-00-00	WIRE HARNESS ASSY	1	UR F/N ~JU0-200100
	JU0-H2590-00-00	WIRE HARNESS ASSY	1	UR F/N JU0-200101~
9	JN6-H2151-00-00	. FUSE (10 A)	1	
10	JR1-H2150-00-00	. FUSE HOLDER ASSY	1	
11	JR3-H1950-00-00	RELAY ASSY	1	
12	JN6-H2105-00-00	WIRE HARNESS	1	
13	90163-06005-00	SCREW, TAPPING	2	
14	JF2-81910-01-00	VOLTAGE REGULATOR ASSY	1	
15	90105-06876-00	BOLT, FLANGE	1	
16	JF7-82817-20-00	SWITCH	1	
17	98507-05025-00	SCREW, PAN HEAD	2	
18	92907-05100-00	WASHER, LOCK	2	
19	92907-05600-00	WASHER, PLATE	2	
20	JR1-H3383-01-00	BUZZER	1	
21	JN6-H3386-01-00	STAY, BUZZER	1	
22	JG5-H2110-01-00	BATTERY (GRP 24, 12V, 400CCA)	1	OBTAIN LOCALLY
23	4U8-81950-02-00	RELAY ASSY	1	
24	JN6-H1942-00-00	COVER	1	
25	90461-16802-00	CLAMP	1	
26	90464-40825-00	CLAMP	4	
27	90105-06876-00	BOLT, FLANGE	2	
28	90480-25856-00	GROMMET	1	

CONTENTS

ACCELERATOR	C2
AIR SHROUD FAN	A6
BODY 1	D1-2
BODY 2	D3-4
BODY FITTING	D5
BRAKE 1	B10-11
BRAKE 2	B12
BRAKE 3	C1
BUMPER	C12
CAMSHAFT VALVE	A5
CARBURETOR	A8
CARRIER	D6
CRANKCASE	A10
CRANKSHAFT PISTON	A4
CYLINDER HEAD	A3
ELECTRICAL 1	D10
ELECTRICAL 2	D11-12
ENGINE ASSEMBLY	A2
ENGINE BRACKET 209201~	A12
ENGINE MOUNT ~209200	A11
EXHAUST	A9
FRAME	B3
FRONT SUSPENSION WHEEL	B4-5
FUEL TANK 209201~	B9
FUEL TANK ~209200	B8
GOVERNOR	C3
INTAKE	A7
OPTIONAL LIGHT KIT	E3
OPTIONAL LIGHT KIT STREAMLINE JU0	E4-5
OPTIONAL SUN ROOF	E2
OPTIONAL WINDSHIELD	E1
PRIMARY SHEAVE JU0-102249~	C5
PRIMARY SHEAVE ~JU0-102248	C4
REAR ARM SUSPENSION 209201~	B2
REAR ARM SUSPENSION ~209200	B1
REAR AXLE MOUNT WHEEL	C10
SEAT	D7
SECONDARY SHEAVE	C6
SHIFTER CABLES	C11
STARTING MOTOR	D8-9
STEERING	B6-7
TRANSMISSION 1	C7-9
~MODELS IN THIS CATALOG	E6



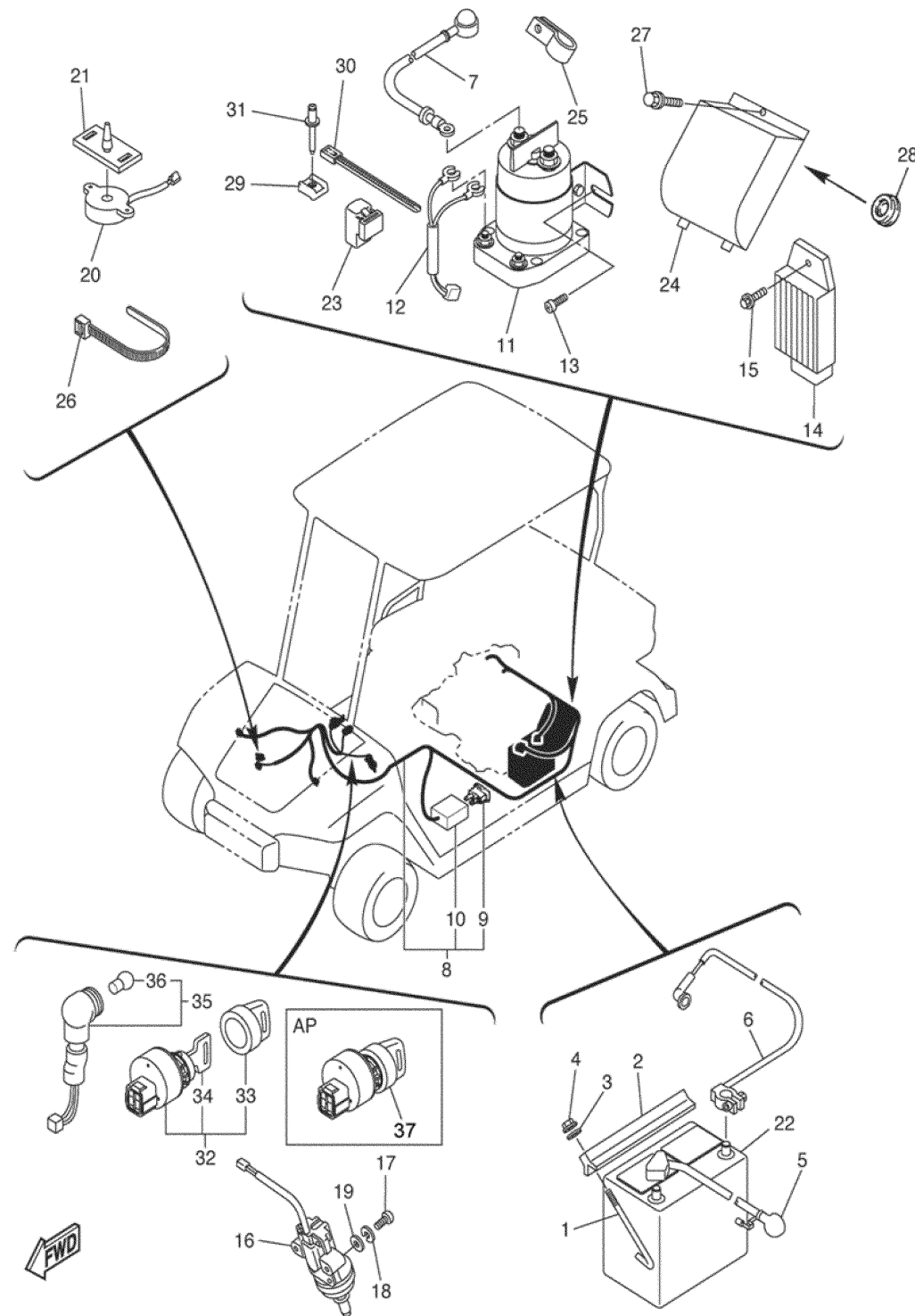
CONTINUED ON NEXT FRAME ►

ELECTRICAL 2

Ref. No.	Part Number	Description	Qty	Remarks
29	90207-05800-00	WASHER, FINISH	1	
30	90464-40825-00	CLAMP	3	
31	90267-489U9-00	RIVET, BLIND	1	
32	JN8-82510-02-00	MAIN SWITCH ASSY	1	UR ~JU0-200100 COMMON KEY
	JU2-H2510-10-00	MAIN SWITCH ASSY	1	UR JU0-200101~ COMMON KEY
33	5UG-H2579-00-00	. CAP, KEY	1	
34	JU2-H2511-00-00	. KEY, MAIN SWITCH	1	COMMON ONLY
35	JN6-83530-00-00	PILOT LIGHT ASSY	1	
36	123-83516-21-00	. BULB (12V-3.4W)	1	
37	JU2-H2510-20-00	MAIN SWITCH ASSY	1	AP JU0-200101~ RANDOM KEY
	JN8-82510-10-00	MAIN SWITCH ASSY	1	AP ~JU0-200100 RANDOM KEY

CONTENTS

ACCELERATOR	C2
AIR SHROUD FAN	A6
BODY 1	D1-2
BODY 2	D3-4
BODY FITTING	D5
BRAKE 1	B10-11
BRAKE 2	B12
BRAKE 3	C1
BUMPER	C12
CAMSHAFT VALVE	A5
CARBURETOR	A8
CARRIER	D6
CRANKCASE	A10
CRANKSHAFT PISTON	A4
CYLINDER HEAD	A3
ELECTRICAL 1	D10
ELECTRICAL 2	D11-12
ENGINE ASSEMBLY	A2
ENGINE BRACKET 209201~	A12
ENGINE MOUNT ~209200	A11
EXHAUST	A9
FRAME	B3
FRONT SUSPENSION WHEEL	B4-5
FUEL TANK 209201~	B9
FUEL TANK ~209200	B8
GOVERNOR	C3
INTAKE	A7
OPTIONAL LIGHT KIT	E3
OPTIONAL LIGHT KIT STREAMLINE JU0	E4-5
OPTIONAL SUN ROOF	E2
OPTIONAL WINDSHIELD	E1
PRIMARY SHEAVE JU0-102249~	C5
PRIMARY SHEAVE ~JU0-102248	C4
REAR ARM SUSPENSION 209201~	B2
REAR ARM SUSPENSION ~209200	B1
REAR AXLE MOUNT WHEEL	C10
SEAT	D7
SECONDARY SHEAVE	C6
SHIFTER CABLES	C11
STARTING MOTOR	D8-9
STEERING	B6-7
TRANSMISSION 1	C7-9
-MODELS IN THIS CATALOG	E6

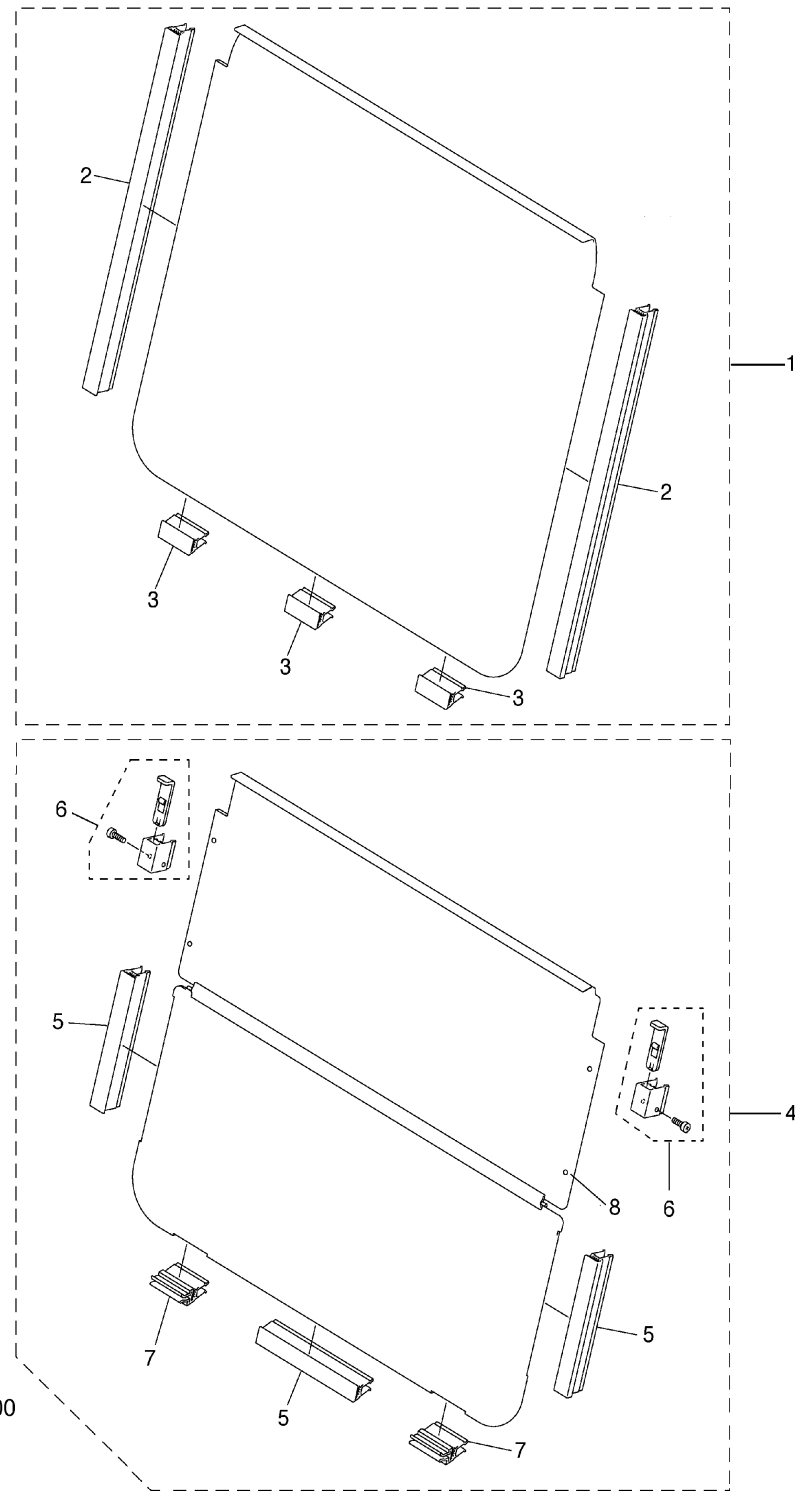


OPTIONAL WINDSHIELD

Ref. No.	Part Number	Description	Qty	Remarks
1	JU0-K7200-03-00	WINDSHIELD ASSY, SOLID (CLEAR)	1	UR AP
	JU0-K7200-13-00	WINDSHIELD ASSY, SOLID (TINTED)	1	UR AP
2	JU0-K838A-20-00	. RETAINER 1	2	
3	JU0-K838A-10-00	. RETAINER 1	3	
4	JU0-K7200-22-00	WINDSHIELD ASSY, HINGED (CLEAR)	1	UR AP
	JU0-K7200-32-00	WINDSHIELD ASSY, HINGED (TINTED)	1	UR AP
5	JU0-K838B-00-00	. RETAINER 2	3	
6	GCA-WSUPP-ER-KT	. UPPER, LATCH 2	2	
7	JU0-K7222-01-00	. BRACKET, WINDSHIELD (R.H)	2	
8	JN3-K7238-00-00	. DAMPER, WINDSHIELD	4	

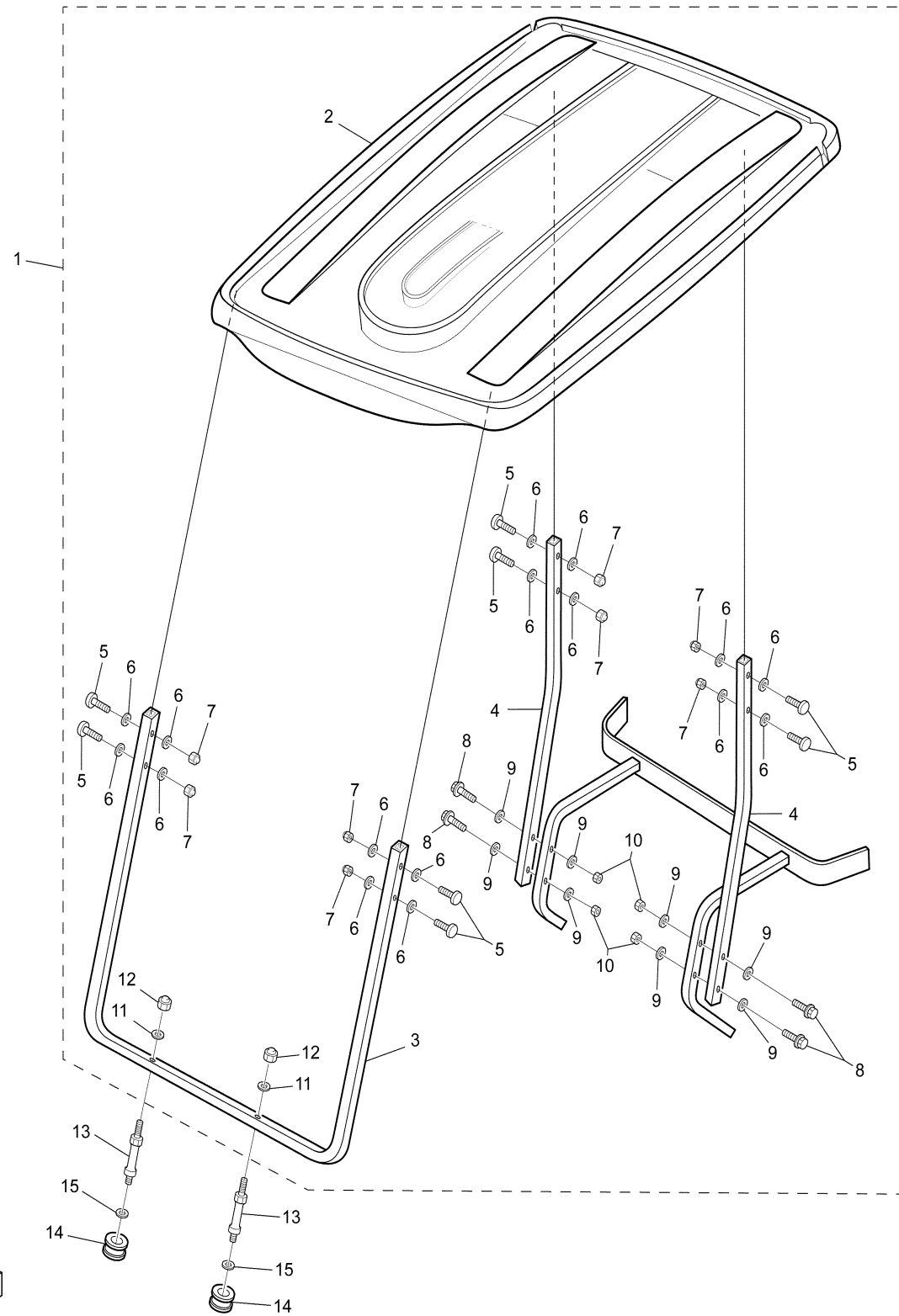
CONTENTS

ACCELERATOR	C2
AIR SHROUD FAN	A6
BODY 1	D1-2
BODY 2	D3-4
BODY FITTING	D5
BRAKE 1	B10-11
BRAKE 2	B12
BRAKE 3	C1
BUMPER	C12
CAMSHAFT VALVE	A5
CARBURETOR	A8
CARRIER	D6
CRANKCASE	A10
CRANKSHAFT PISTON	A4
CYLINDER HEAD	A3
ELECTRICAL 1	D10
ELECTRICAL 2	D11-12
ENGINE ASSEMBLY	A2
ENGINE BRACKET 209201~	A12
ENGINE MOUNT ~209200	A11
EXHAUST	A9
FRAME	B3
FRONT SUSPENSION WHEEL	B4-5
FUEL TANK 209201~	B9
FUEL TANK ~209200	B8
GOVERNOR	C3
INTAKE	A7
OPTIONAL LIGHT KIT	E3
OPTIONAL LIGHT KIT STREAMLINE JU0	E4-5
OPTIONAL SUN ROOF	E2
OPTIONAL WINDSHIELD	E1
PRIMARY SHEAVE JU0-102249~	C5
PRIMARY SHEAVE ~JU0-102248	C4
REAR ARM SUSPENSION 209201~	B2
REAR ARM SUSPENSION ~209200	B1
REAR AXLE MOUNT WHEEL	C10
SEAT	D7
SECONDARY SHEAVE	C6
SHIFTER CABLES	C11
STARTING MOTOR	D8-9
STEERING	B6-7
TRANSMISSION 1	C7-9
~MODELS IN THIS CATALOG	E6



FWD
JU22100-D200

OPTIONAL SUN ROOF



JU0100-5370

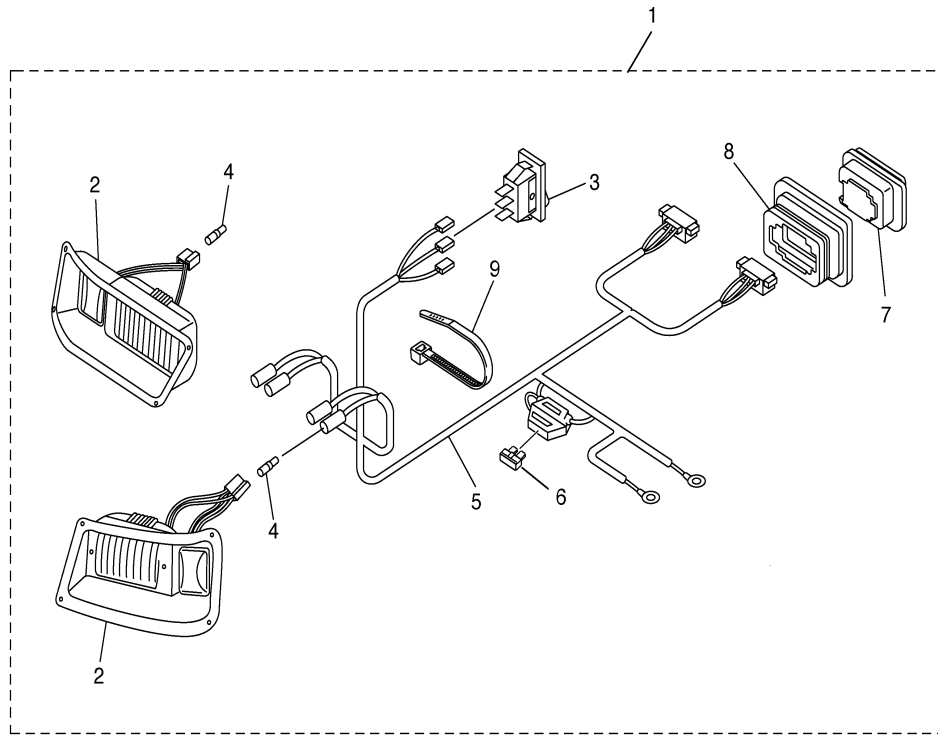
Ref. No.	Part Number	Description	Qty	Remarks
1	JU0-K8310-00-00	SUN ROOF ASSY	1	UR IVORY
	JU0-K8310-10-00	SUN ROOF ASSY	1	UR TAN
	JU0-K8310-20-00	SUN ROOF ASSY	1	FOR LE MODEL
2	JU0-K8314-00-00	. COVER, SUN ROOF	1	UR IVORY
	JU0-K8314-10-00	. COVER, SUN ROOF	1	UR TAN
3	JU0-K8312-01-00	. SUPPORT, SUN ROOF 1	1	
	JU0-K8312-10-00	. SUPPORT, SUN ROOF 1	1	BLACK, FOR LE
4	JU0-K8313-01-00	. SUPPORT, SUN ROOF 2	2	
	JU0-K8313-10-00	. SUPPORT, SUN ROOF 2	2	BLACK, FOR LE
5	JU0-K8388-00-00	. BOLT, ROOF 1	8	
6	90201-088T2-00	. WASHER, PLATE	16	
7	JU0-K8398-00-00	. NUT, ROOF 1	8	
8	90101-22864-00	. BOLT	4	
9	90201-088J3-00	. WASHER, PLATE	8	
10	90185-12835-00	. NUT, SELF-LOCKING	4	
11	90201-098J4-00	. WASHER, PLATE	2	
12	90176-08801-00	. NUT, CROWN	2	
13	JU0-K834A-00-00	. REINF., HOLDER	2	FOR SUN ROOF
14	JN3-K832F-00-00	. GROMMET, ROOF SUPPORT	2	FOR SUN ROOF
15	90201-11800-00	. WASHER, PLATE	2	FOR SUN ROOF

CONTENTS

ACCELERATOR	C2
AIR SHROUD FAN	A6
BODY 1	D1-2
BODY 2	D3-4
BODY FITTING	D5
BRAKE 1	B10-11
BRAKE 2	B12
BRAKE 3	C1
BUMPER	C12
CAMSHAFT VALVE	A5
CARBURETOR	A8
CARRIER	D6
CRANKCASE	A10
CRANKSHAFT PISTON	A4
CYLINDER HEAD	A3
ELECTRICAL 1	D10
ELECTRICAL 2	D11-12
ENGINE ASSEMBLY	A2
ENGINE BRACKET 209201~	A12
ENGINE MOUNT ~209200	A11
EXHAUST	A9
FRAME	B3
FRONT SUSPENSION WHEEL	B4-5
FUEL TANK 209201~	B9
FUEL TANK ~209200	B8
GOVERNOR	C3
INTAKE	A7
OPTIONAL LIGHT KIT	E3
OPTIONAL LIGHT KIT	
STREAMLINE JU0	E4-5
OPTIONAL SUN ROOF	E2
OPTIONAL WINDSHIELD	E1
PRIMARY SHEAVE	
JU0-102249~	C5
PRIMARY SHEAVE	
~JU0-102248	C4
REAR ARM SUSPENSION	
209201~	B2
REAR ARM SUSPENSION	
~209200	B1
REAR AXLE MOUNT WHEEL	C10
SEAT	D7
SECONDARY SHEAVE	C6
SHIFTER CABLES	C11
STARTING MOTOR	D8-9
STEERING	B6-7
TRANSMISSION 1	C7-9
~MODELS IN THIS CATALOG	E6

OPTIONAL LIGHT KIT

Ref. No.	Part Number	Description	Qty	Remarks
1	JN6-H430A-20-00	HEADLIGHT UNIT ASSEMBLY .	1	
2	JN3-H4303-20-00	. HEADLIGHT UNIT ASSY	1	SOLD AS R & L SET
3	JN3-H3976-20-00	. SWITCH, HANDLE 1	1	
4	9E212-10401-00	. TERMINAL	2	
5	JN6-H4159-00-00	. CORD, HEADLIGHT	1	
6	42X-82151-00-00	. . FUSE (10A-BL)	1	
7	JN3-H4700-00-00	. TAILLIGHT ASSY	2	
8	JN3-H4718-00-00	. GROMMET	2	
9	GCA-JU012-51-00	. CLAMP	20	



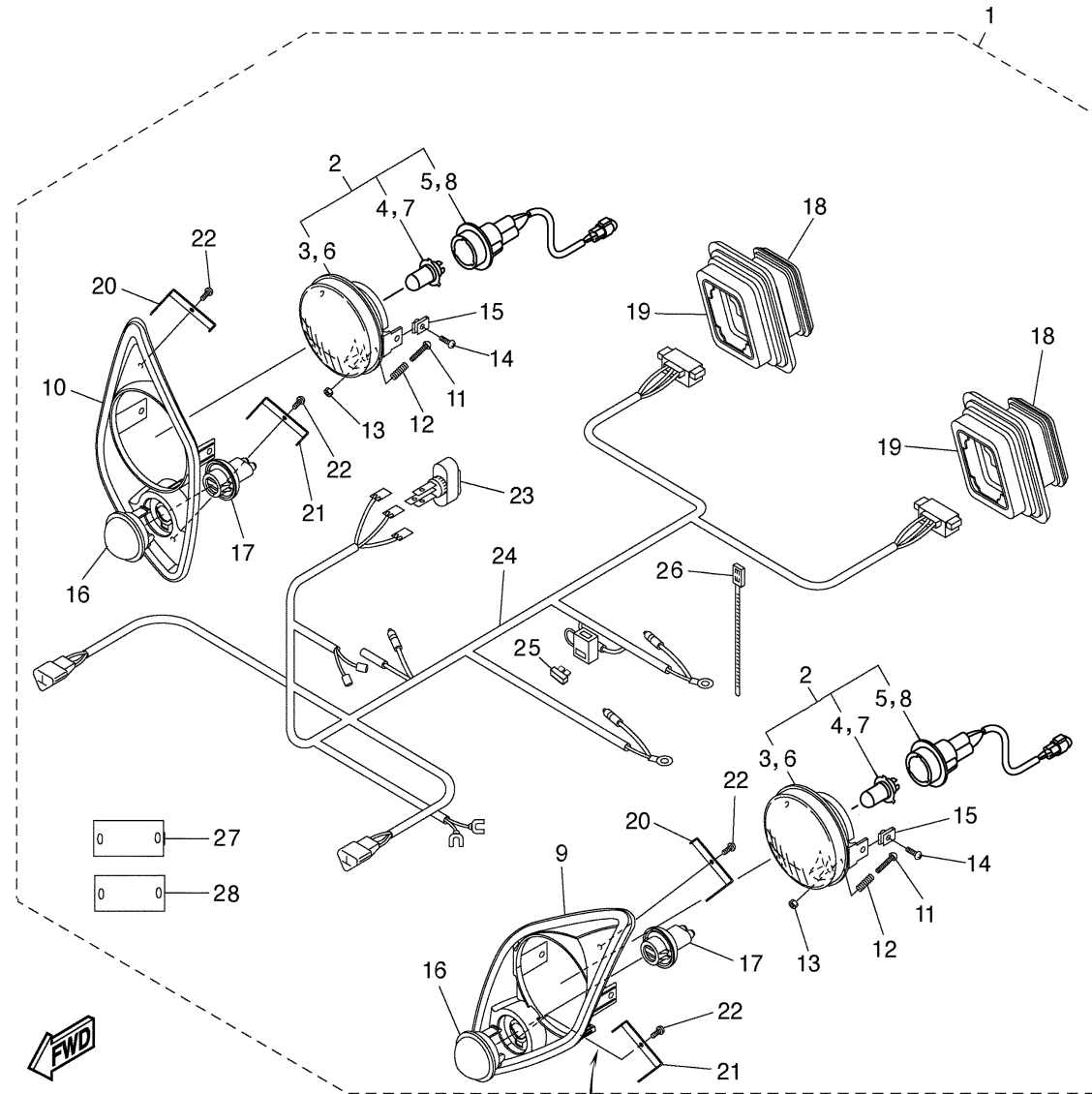
CONTENTS

ACCELERATOR	C2
AIR SHROUD FAN	A6
BODY 1	D1-2
BODY 2	D3-4
BODY FITTING	D5
BRAKE 1	B10-11
BRAKE 2	B12
BRAKE 3	C1
BUMPER	C12
CAMSHAFT VALVE	A5
CARBURETOR	A8
CARRIER	D6
CRANKCASE	A10
CRANKSHAFT PISTON	A4
CYLINDER HEAD	A3
ELECTRICAL 1	D10
ELECTRICAL 2	D11-12
ENGINE ASSEMBLY	A2
ENGINE BRACKET 209201~	A12
ENGINE MOUNT ~209200	A11
EXHAUST	A9
FRAME	B3
FRONT SUSPENSION WHEEL	B4-5
FUEL TANK 209201~	B9
FUEL TANK ~209200	B8
GOVERNOR	C3
INTAKE	A7
OPTIONAL LIGHT KIT	E3
OPTIONAL LIGHT KIT STREAMLINE JU0	E4-5
OPTIONAL SUN ROOF	E2
OPTIONAL WINDSHIELD	E1
PRIMARY SHEAVE JU0-102249~	C5
PRIMARY SHEAVE ~JU0-102248	C4
REAR ARM SUSPENSION 209201~	B2
REAR ARM SUSPENSION ~209200	B1
REAR AXLE MOUNT WHEEL	C10
SEAT	D7
SECONDARY SHEAVE	C6
SHIFTER CABLES	C11
STARTING MOTOR	D8-9
STEERING	B6-7
TRANSMISSION 1	C7-9
-MODELS IN THIS CATALOG	E6



JU02100-D370

OPTIONAL LIGHT KIT STREAMLINE JU0



NOTE A: To order the correct service parts read the part number on the back of the lens assembly (5FU-H4320-00-00) or (5FU-H4320-10-00).

NOTE B: To determine which Holder (-00 or -02) you are working with, measure the Headlight Lens Adjusting Screw boss on the back of the Holder.

-00 = 35mm
-02 = 25mm

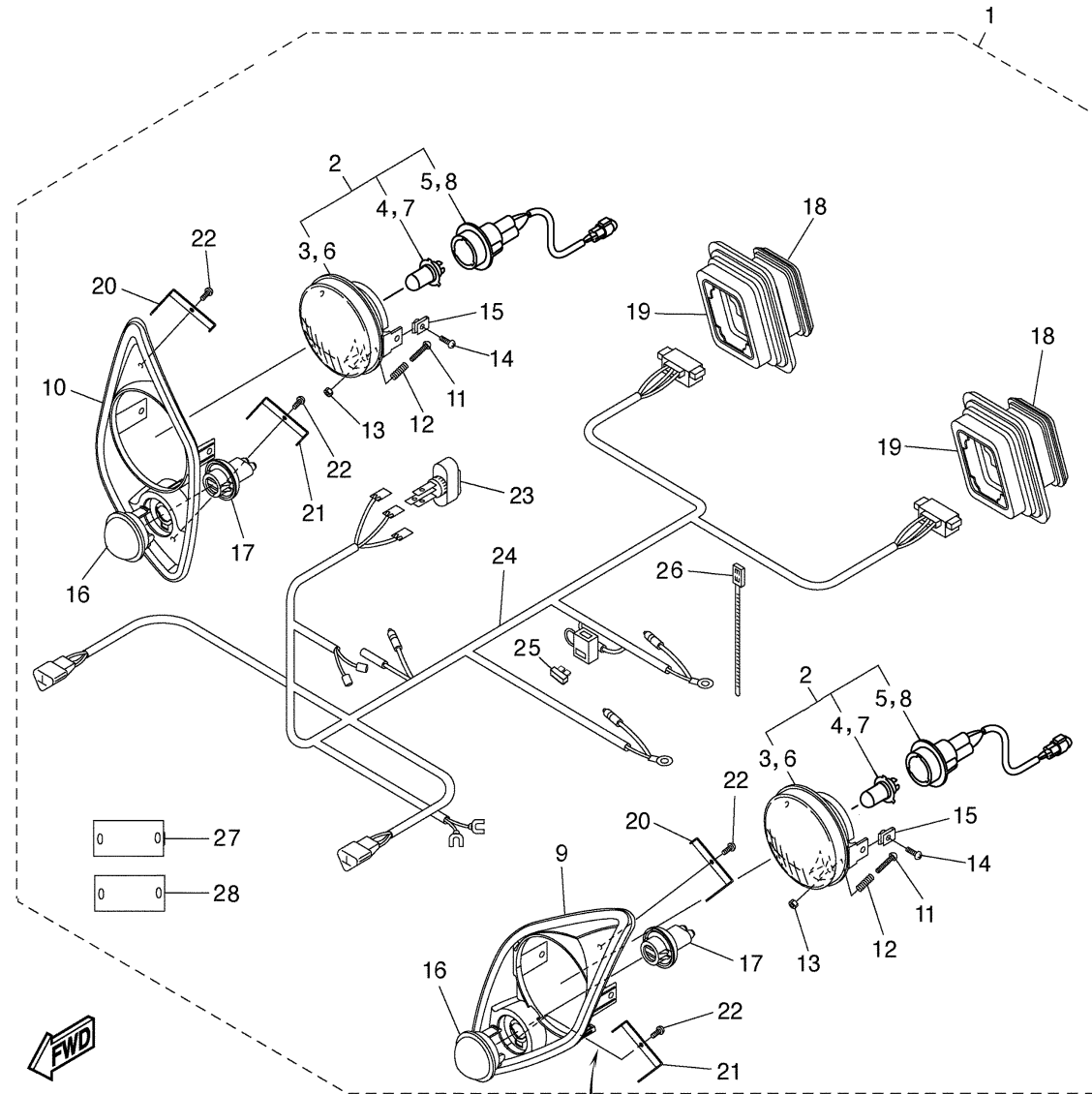
Ref. No.	Part Number	Description	Qty	Remarks
1	JU0-H430A-00-00	HEADLIGHT UNIT ASSY	1	
2	5FU-H4300-00-00	. HEADLIGHT ASSY	2	UR, SEE NOTE A
	5FU-H4300-10-00	. HEADLIGHT ASSY	2	UR, SEE NOTE A
3	5FU-H4320-00-00	. . LENS ASSY	2	UR, USE WITH -00 ASSY
4	5FU-H4314-00-00	. . BULB, HEADLIGHT (12V-30/30W)	2	UR, USE WITH -00 LENS
5	5FU-H4340-00-00	. . SOCKET CORD ASSY 1	2	UR, FOR -00 BULB
6	5FU-H4320-10-00	. . LENS ASSY	2	UR, USE WITH -10 ASSY
7	5FU-H4314-10-00	. . BULB, HEADLIGHT (12V-30/30W)	2	UR, USE WITH -10 LENS
8	5FU-H4340-10-00	. . SOCKET CORD ASSY 1	2	UR, USE FOR -10 BULB
9	JU7-H411T-00-00	. HOLDER, 1	1	USE WITH 15MM SPRING, SEE NOTE B
	JU7-H411T-02-00	. HOLDER, 1	1	USE WITH 34MM SPRING, SEE NOTE B
10	JU7-H411U-00-00	. HOLDER, 2	1	USE WITH 15MM SPRING, SEE NOTE B
	JU7-H411U-02-00	. HOLDER, 2	1	USE WITH 34MM SPRING, SEE NOTE B
11	98507-03540-00	. SCREW, PAN HEAD	2	
12	2GU-84332-00-00	. SPRING, SCREW	2	UR, GOLD L=34MM (FOR -02 HOLDER WITH 25MM BOSS)
	90501-10060-00	. SPRING, SCREW	2	UR, BLACK L=15MM (FOR -00 HOLDER WITH 35MM BOSS)
13	2GU-84334-00-00	. NUT, ADJUSTING	2	
14	90150-05802-00	. SCREW, ROUND HEAD	4	
15	90183-05008-00	. NUT, SPRING	4	
16	JU7-H5415-00-00	. MARK, SIGNAL LAMP	2	

CONTENTS

ACCELERATOR	C2
AIR SHROUD FAN	A6
BODY 1	D1-2
BODY 2	D3-4
BODY FITTING	D5
BRAKE 1	B10-11
BRAKE 2	B12
BRAKE 3	C1
BUMPER	C12
CAMSHAFT VALVE	A5
CARBURETOR	A8
CARRIER	D6
CRANKCASE	A10
CRANKSHAFT PISTON	A4
CYLINDER HEAD	A3
ELECTRICAL 1	D10
ELECTRICAL 2	D11-12
ENGINE ASSEMBLY	A2
ENGINE BRACKET 209201~	A12
ENGINE MOUNT ~209200	A11
EXHAUST	A9
FRAME	B3
FRONT SUSPENSION WHEEL	B4-5
FUEL TANK 209201~	B9
FUEL TANK ~209200	B8
GOVERNOR	C3
INTAKE	A7
OPTIONAL LIGHT KIT	E3
OPTIONAL LIGHT KIT STREAMLINE JU0	E4-5
OPTIONAL SUN ROOF	E2
OPTIONAL WINDSHIELD	E1
PRIMARY SHEAVE JU0-102249~	C5
PRIMARY SHEAVE ~JU0-102248	C4
REAR ARM SUSPENSION 209201~	B2
REAR ARM SUSPENSION ~209200	B1
REAR AXLE MOUNT WHEEL	C10
SEAT	D7
SECONDARY SHEAVE	C6
SHIFTER CABLES	C11
STARTING MOTOR	D8-9
STEERING	B6-7
TRANSMISSION 1	C7-9
~MODELS IN THIS CATALOG	E6

CONTINUED ON NEXT FRAME ➤

OPTIONAL LIGHT KIT STREAMLINE JU0



Ref. No.	Part Number	Description	Qty	Remarks
17	JU7-H3547-00-00	. COVER, SOCKET	2	
18	JU5-H4700-00-00	. TAILLIGHT ASSY	2	
19	JU5-H4718-00-00	. GROMMET	2	
20	JU7-H4118-01-00	. STAY, HEADLIGHT 1	2	
21	JU7-H4119-01-00	. STAY, HEADLIGHT 2	2	
22	97707-40112-00	. SCREW, TAPPING	4	
23	JU0-H3976-00-00	. SWITCH, HANDLE 1	1	
24	JU0-H4159-00-00	. CORD, HEADLIGHT	1	
25	42X-82151-00-00	. . FUSE (10A-BL)	1	
26	GCA-JU012-51-00	. CLAMP	20	
27	GCA-JU012-41-00	. REFLECTOR, AMBER	2	
28	GCA-JU012-42-00	. REFLECTOR, RED	2	

CONTENTS

ACCELERATOR	C2
AIR SHROUD FAN	A6
BODY 1	D1-2
BODY 2	D3-4
BODY FITTING	D5
BRAKE 1	B10-11
BRAKE 2	B12
BRAKE 3	C1
BUMPER	C12
CAMSHAFT VALVE	A5
CARBURETOR	A8
CARRIER	D6
CRANKCASE	A10
CRANKSHAFT PISTON	A4
CYLINDER HEAD	A3
ELECTRICAL 1	D10
ELECTRICAL 2	D11-12
ENGINE ASSEMBLY	A2
ENGINE BRACKET 209201~	A12
ENGINE MOUNT ~209200	A11
EXHAUST	A9
FRAME	B3
FRONT SUSPENSION WHEEL	B4-5
FUEL TANK 209201~	B9
FUEL TANK ~209200	B8
GOVERNOR	C3
INTAKE	A7
OPTIONAL LIGHT KIT	E3
OPTIONAL LIGHT KIT	E4-5
STREAMLINE JU0	E2
OPTIONAL SUN ROOF	E1
OPTIONAL WINDSHIELD	E1
PRIMARY SHEAVE	C5
JU0-102249~	C5
PRIMARY SHEAVE	C4
~JU0-102248	C4
REAR ARM SUSPENSION	B2
209201~	B2
REAR ARM SUSPENSION	B1
~209200	B1
REAR AXLE MOUNT WHEEL	C10
SEAT	D7
SECONDARY SHEAVE	C6
SHIFTER CABLES	C11
STARTING MOTOR	D8-9
STEERING	B6-7
TRANSMISSION 1	C7-9
~MODELS IN THIS CATALOG	E6

NOTE A: To order the correct service parts read the part number on the back of the lens assembly (5FU-H4320-00-00) or (5FU-H4320-10-00).

NOTE B: To determine which Holder (-00 or -02) you are working with, measure the Headlight Lens Adjusting Screw boss on the back of the Holder.

-00 = 35mm
-02 = 25mm

~MODELS IN THIS CATALOG

- 2003 G22AY (JU01)**
STARTING FRAME (G22AY): JU0-000101 and following
- 2004 G22AZ (JU01)**
STARTING FRAME (G22AZ): JU0-100101 and following
- 2005 G22AA (JU02)**
STARTING FRAME (G22AA): JU0-200101 and following
- 2005 G22AB (JU02)**
STARTING FRAME (G22AB): JU0-209201 and following
- 2006 G22AC (JU02)**
STARTING FRAME (G22AC): JU0-300101 and following
- 2006 G22AD (JU03)**
STARTING FRAME (G22AD): JU0-310101 and following

Ref. No.	Part Number	Description	Qty	Remarks
----------	-------------	-------------	-----	---------

CONTENTS

ACCELERATOR	C2
AIR SHROUD FAN	A6
BODY 1	D1-2
BODY 2	D3-4
BODY FITTING	D5
BRAKE 1	B10-11
BRAKE 2	B12
BRAKE 3	C1
BUMPER	C12
CAMSHAFT VALVE	A5
CARBURETOR	A8
CARRIER	D6
CRANKCASE	A10
CRANKSHAFT PISTON	A4
CYLINDER HEAD	A3
ELECTRICAL 1	D10
ELECTRICAL 2	D11-12
ENGINE ASSEMBLY	A2
ENGINE BRACKET 209201~	A12
ENGINE MOUNT ~209200	A11
EXHAUST	A9
FRAME	B3
FRONT SUSPENSION WHEEL	B4-5
FUEL TANK 209201~	B9
FUEL TANK ~209200	B8
GOVERNOR	C3
INTAKE	A7
OPTIONAL LIGHT KIT	E3
OPTIONAL LIGHT KIT STREAMLINE JU0	E4-5
OPTIONAL SUN ROOF	E2
OPTIONAL WINDSHIELD	E1
PRIMARY SHEAVE JU0-102249~	C5
PRIMARY SHEAVE ~JU0-102248	C4
REAR ARM SUSPENSION 209201~	B2
REAR ARM SUSPENSION ~209200	B1
REAR AXLE MOUNT WHEEL	C10
SEAT	D7
SECONDARY SHEAVE	C6
SHIFTER CABLES	C11
STARTING MOTOR	D8-9
STEERING	B6-7
TRANSMISSION 1	C7-9
~MODELS IN THIS CATALOG	E6

ALL THESE MODELS USE THIS SAME PARTS CATALOG.
BE SURE TO ORDER ONLY THOSE PARTS APPLICABLE
TO THE DESIRED MODEL.