

PARTS CATALOGUE GOLF CAR

2000 G20AU (JR8)

2001 G20AW (JR8)

2002 G20AX (JR8)

STARTING FRAME: JR8-000101 and following
STARTING FRAME: JR8-100101 and following
STARTING FRAME: JR8-200101 and following

OWNERS LIT-19626-20-00

ASSEMBLY LIT-19666-

SERVICE LIT-11616-

CONTENTS

ACCELERATOR	C1
AIR SHROUD FAN	A9
BODY 1	C11
BODY 2	D1-2
BODY FITTING	D3
BRAKE 1	B9-10
BRAKE 2	B11
BRAKE 3	B12
BUMPER	C10
CAMSHAFT VALVE	A8
CARBURETOR	A11
CARRIER	D4
CRANKCASE	B1
CRANKSHAFT PISTON	A7
CYLINDER HEAD	A6
ELECTRICAL 1	D9
ELECTRICAL 2	D10-11
ENGINE ASSEMBLY	A5
ENGINE MOUNT	B2
EXHAUST	A12
FRAME	B4
FRONT SEAT	D5
FRONT SUSPENSION WHEEL	B5-6
FUEL TANK	B8
GOVERNOR	C2
INTAKE	A10
INTERMEDIATE BODY	C12
OPTIONAL HUB CAPS	D12
OPTIONAL ORNAMENTAL PLATE	E3
OPTIONAL SUN ROOF	E2
OPTIONAL WINDSHIELD	E1
PRIMARY CLUTCH	C3
REAR ARM SUSPENSION	B3
REAR AXLE MOUNT WHEEL	C8
REAR SEAT	D6
SECONDARY SHEAVE	C4
SHIFTER CABLES	C9
STARTER GENERATOR	D7-8
STEERING	B7
TRANSMISSION 1	C5-7
-MODELS IN THIS CATALOG	E4

CONTENTS

ACCELERATOR	C1
AIR SHROUD FAN	A9
BODY 1	C11
BODY 2	D1-2
BODY FITTING	D3
BRAKE 1	B9-10
BRAKE 2	B11
BRAKE 3	B12
BUMPER	C10
CAMSHAFT VALVE	A8
CARBURETOR	A11
CARRIER	D4
CRANKCASE	B1
CRANKSHAFT PISTON	A7
CYLINDER HEAD	A6
ELECTRICAL 1	D9
ELECTRICAL 2	D10-11
ENGINE ASSEMBLY	A5
ENGINE MOUNT	B2
EXHAUST	A12
FRAME	B4
FRONT SEAT	D5
FRONT SUSPENSION WHEEL	B5-6
FUEL TANK	B8
GOVERNOR	C2
INTAKE	A10
INTERMEDIATE BODY	C12
OPTIONAL HUB CAPS	D12
OPTIONAL ORNAMENTAL PLATE	E3
OPTIONAL SUN ROOF	E2
OPTIONAL WINDSHIELD	E1
PRIMARY CLUTCH	C3
REAR ARM SUSPENSION	B3
REAR AXLE MOUNT WHEEL	C8
REAR SEAT	D6
SECONDARY SHEAVE	C4
SHIFTER CABLES	C9
STARTER GENERATOR	D7-8
STEERING	B7
TRANSMISSION 1	C5-7
~MODELS IN THIS CATALOG	E4

FOREWORD

-INTRODUCTION- To The Yamaha Parts Fiche

This parts fiche lists parts and sub-assemblies for the G20AU, AW and AX. When preparing a parts order, please refer to the most recently updated microfiche for this model.

THE YAMAHA PARTS FICHE

SYMBOLS

[]	Inactive, no longer available
U.R.	Use size (thickness) and/or number as required
U.N.	Use as many as you need
T	Number of teeth in a gear
V	Voltage for light bulbs
S	"S" type oil seal or "S" type circlip
SD,SO,SW	"SD", "SO", or "SW" type oil seal
E,R	"E" or "R" type circlip
F/No.	Frame No. (Applicable Machine No.)
L.M.	Locally made
O.L.	Obtain locally
AP	Alternate Part

SUPERSEDED PART NUMBERS

If part 'A' has been superseded by part 'B', the superseding part number "B" will appear in the part number listing with the superseded part number "A" appearing in parentheses immediately following the description.

EXAMPLE:

Ref. No.	Part No.	Description	Qty.
	(Part 'B')	(Part 'A')	
8	123-45678-00-00	CYLINDER (111-12345-00-00)	1

A part that has been supersede to a kit may be identified by a 99999-00000-00 part number appearing in the part number column. The old superseded part number will appear in parentheses immediately following the description. Listed directly below the 99999 part number will be those parts making up the kit. The description of the parts making up the kit will be preceded by a small black dot (.) and the description will be indented one letter space.

EXAMPLE:

Ref. No.	Part No.	Description	Qty.
8	99999-12345-00	CYLINDER (111-12345-00-00)	1
	234-56789-00-00	• HEAD, CYLINDER	1

SIZES

Except for steel balls (ball sizes are indicated in inches), all parts sizes are indicated in millimeters as in the following examples:

Hose (Rubber or Vinyl)	Inside Diameter - Length
O-Ring	Section Area - Inside Diameter
Washer, Shim, Collar	Inside Diameter - Outside Diameter Thickness (Length)

ASSEMBLIES AND COMPONENT PARTS

Assemblies and their component parts, are identified by an indentation of one letter space, and the description is preceded by a dot (.). If two main assemblies are listed, and have the same basic description (i.e.: left and right sides of the same assembly), one will immediately follow the other. If each of these main assemblies is made up of almost the same components, these component parts will be listed immediately under the second main assembly line and will be indicated, as noted above.

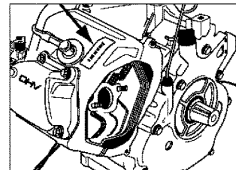
If the component is the same for both main assemblies, the quantity indicated will be the total required. If the component is not the same for both main assemblies, the quantity for each separate item will be listed separately.

EXAMPLE:

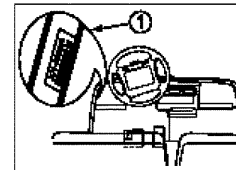
Description	Qty
CARBURETOR ASSY, LEFT	1
CARBURETOR ASSY, RIGHT	1
. JET, PILOT	2
. NOZZLE, MAIN	2
. LEVER, STARTER, LEFT	1
. LEVER, STARTER, RIGHT	1

APPLICABLE SERIAL NO.

(1) Engine Serial No.



(2) Frame Serial No.

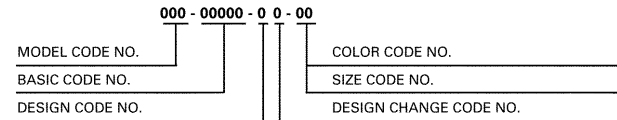


FOREWORD

THE YAMAHA PART NUMBER

The Yamaha part number consists of 12 digits. Each number represents a specific piece of information relating to a replacement part. The following is a guide for reading and interpreting the Yamaha part number.

BASIC PART NUMBER CONFIGURATION:



MODEL CODE NUMBER

FIRST THREE DIGITS . . . 000-00000-00-00

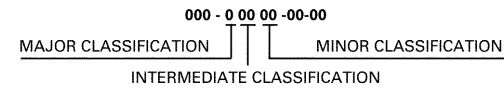
Every model in each Yamaha product line is assigned a model number to identify that particular model. All component parts are given the model code number relating to the model on which they were first used.

Example: 4DU-00000-00-00 identifies the XJ600SE.
3FA-00000-00-00 identifies the YFA1E.

BASIC CODE NUMBER

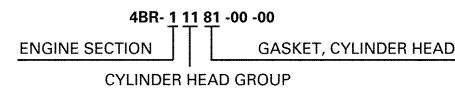
MIDDLE FIVE DIGITS . . . 000-00000-00-00

These "Middle Five Digits" indicate the type of part i.e., piston, rings, lower units, etc. The five digits are broken down as follows:



The "Major Classification" indicates the section to which the parts belong, i.e., engine, electrical etc. The "Intermediate" and "Minor Classifications" indicate more specific details.

Example:



DESIGN CODE NUMBER: 000-00000-00-00

The design code distinguishes like component parts from one another when specification differences are involved. For example, distinguishing a standard size piston ring from an oversized piston ring.

Example:

4BR-11610- 0 0-00 Standard Piston Ring Set for XJ600SE
4BR-11610- 2 0-00 Oversize Piston Ring Set for XJ600SE

DESIGN CHANGE CODE NUMBER: 000-00000-00-00

This code number is used to identify a difference between a new component part and old one when a new part is created by changing the old one.

Example: YFZ350E

2GU-11610-0 0 -00 PISTON RING SET, STD. - ORIGINAL
2GU-11610-0 1 -00 PISTON RING SET, STD. - FIRST DESIGN CHANGE

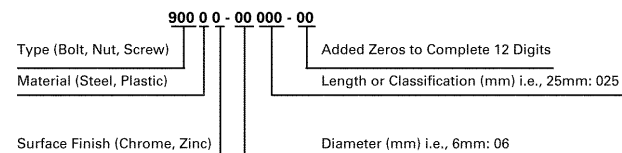
Only major changes to performance, durability, quality, appearance, cost or interchangeability will affect a part number change.

COLOR CODE & SIZE CODE NUMBER: 000-00000-00-00

When applicable, the last two digits of the part number identify:

1. Color Code: The painted color or type of plating or surface treatment used on certain parts.
2. Size Code: The last two digits are also used to show the size of parts (mm). Such as the thickness of shims or the size of pistons.

HARDWARE (Fastener) PART NUMBER CONFIGURATION:



TYPE:

A fastener part number always begins with the number "9" followed by either a 0, 1, 2, 3, 4, 5, 6, 7 or 8 designating one of eight major divisions within this group.

CONTENTS

ACCELERATOR	C1
AIR SHROUD FAN	A9
BODY 1	C11
BODY 2	D1-2
BODY FITTING	D3
BRAKE 1	B9-10
BRAKE 2	B11
BRAKE 3	B12
BUMPER	C10
CAMSHAFT VALVE	A8
CARBURETOR	A11
CARRIER	D4
CRANKCASE	B1
CRANKSHAFT PISTON	A7
CYLINDER HEAD	A6
ELECTRICAL 1	D9
ELECTRICAL 2	D10-11
ENGINE ASSEMBLY	A5
ENGINE MOUNT	B2
EXHAUST	A12
FRAME	B4
FRONT SEAT	D5
FRONT SUSPENSION WHEEL	B5-6
FUEL TANK	B8
GOVERNOR	C2
INTAKE	A10
INTERMEDIATE BODY	C12
OPTIONAL HUB CAPS	D12
OPTIONAL ORNAMENTAL PLATE	E3
OPTIONAL SUN ROOF	E2
OPTIONAL WINDSHIELD	E1
PRIMARY CLUTCH	C3
REAR ARM SUSPENSION	B3
REAR AXLE MOUNT WHEEL	C8
REAR SEAT	D6
SECONDARY SHEAVE	C4
SHIFTER CABLES	C9
STARTER GENERATOR	D7-8
STEERING	B7
TRANSMISSION 1	C5-7
~MODELS IN THIS CATALOG	E4

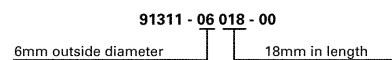
FOREWORD

Example:

- 9 0 000-00000-00 "0" designates various types.
- 9 1 000-00000-00 "1" designates bolts, cotter pins, etc.
- 9 2 000-00000-00 "2" designates screw, nuts, etc.
- 9 3 000-00000-00 "3" designates oil seals, o-rings, bearings, etc.
- 9 4 000-00000-00 "4" designates spark plugs.
- 9 5 000-00000-00 "5" designates bolts and nuts.
- 9 7 000-00000-00 "7" designates ISO bolts.
- 9 8 000-00000-00 "8" designates ISO screws and nuts.

The only major divisions which the mechanic should become familiar with are those related to the general hardware (nuts, bolts, and washers), since these are the most commonly used and most often replaced items. By knowing how to interpret the part number, the dimensions of a piece of hardware can be determined. This can be very helpful during major engine repair, and general parts replacement.

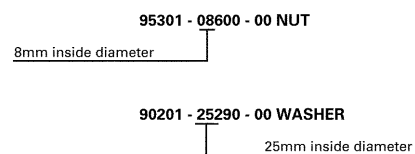
BOLT EXAMPLE:



EXCEPTION:

It is NOT possible to identify the LENGTH of bolts having a 901 prefix. Only the bolt diameter can be identified with this number.

NUT AND WASHER EXAMPLE:



CONTENTS

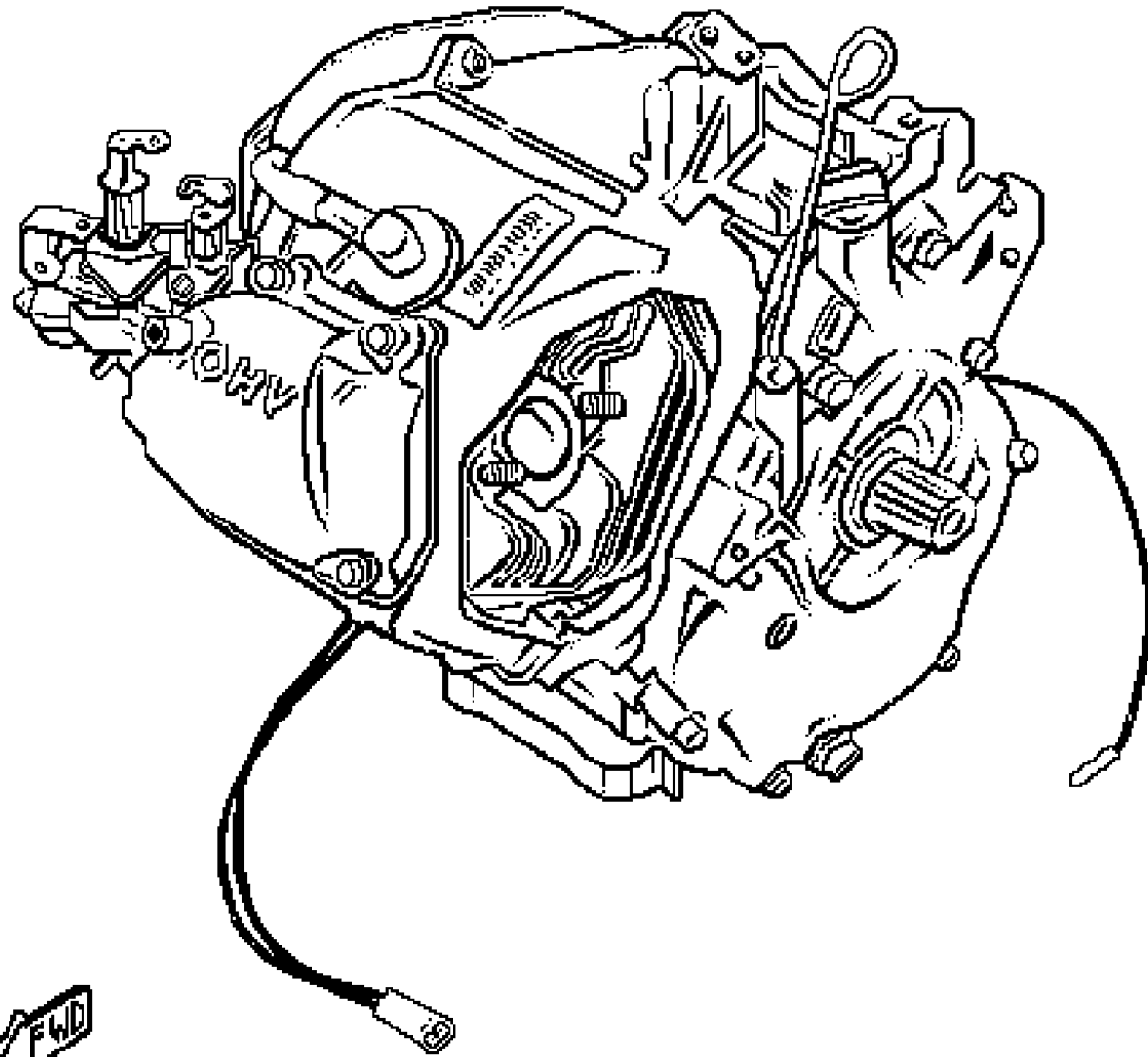
ACCELERATOR	C1
AIR SHROUD FAN	A9
BODY 1	C11
BODY 2	D1-2
BODY FITTING	D3
BRAKE 1	B9-10
BRAKE 2	B11
BRAKE 3	B12
BUMPER	C10
CAMSHAFT VALVE	A8
CARBURETOR	A11
CARRIER	D4
CRANKCASE	B1
CRANKSHAFT PISTON	A7
CYLINDER HEAD	A6
ELECTRICAL 1	D9
ELECTRICAL 2	D10-11
ENGINE ASSEMBLY	A5
ENGINE MOUNT	B2
EXHAUST	A12
FRAME	B4
FRONT SEAT	D5
FRONT SUSPENSION WHEEL	B5-6
FUEL TANK	B8
GOVERNOR	C2
INTAKE	A10
INTERMEDIATE BODY	C12
OPTIONAL HUB CAPS	D12
OPTIONAL ORNAMENTAL PLATE	E3
OPTIONAL SUN ROOF	E2
OPTIONAL WINDSHIELD	E1
PRIMARY CLUTCH	C3
REAR ARM SUSPENSION	B3
REAR AXLE MOUNT WHEEL	C8
REAR SEAT	D6
SECONDARY SHEAVE	C4
SHIFTER CABLES	C9
STARTER GENERATOR	D7-8
STEERING	B7
TRANSMISSION 1	C5-7
-MODELS IN THIS CATALOG	E4

ENGINE ASSEMBLY

Ref. No.	Part Number	Description	Qty	Remarks
1	JR3-19001-00-00	ENGINE ASSEMBLY	1	

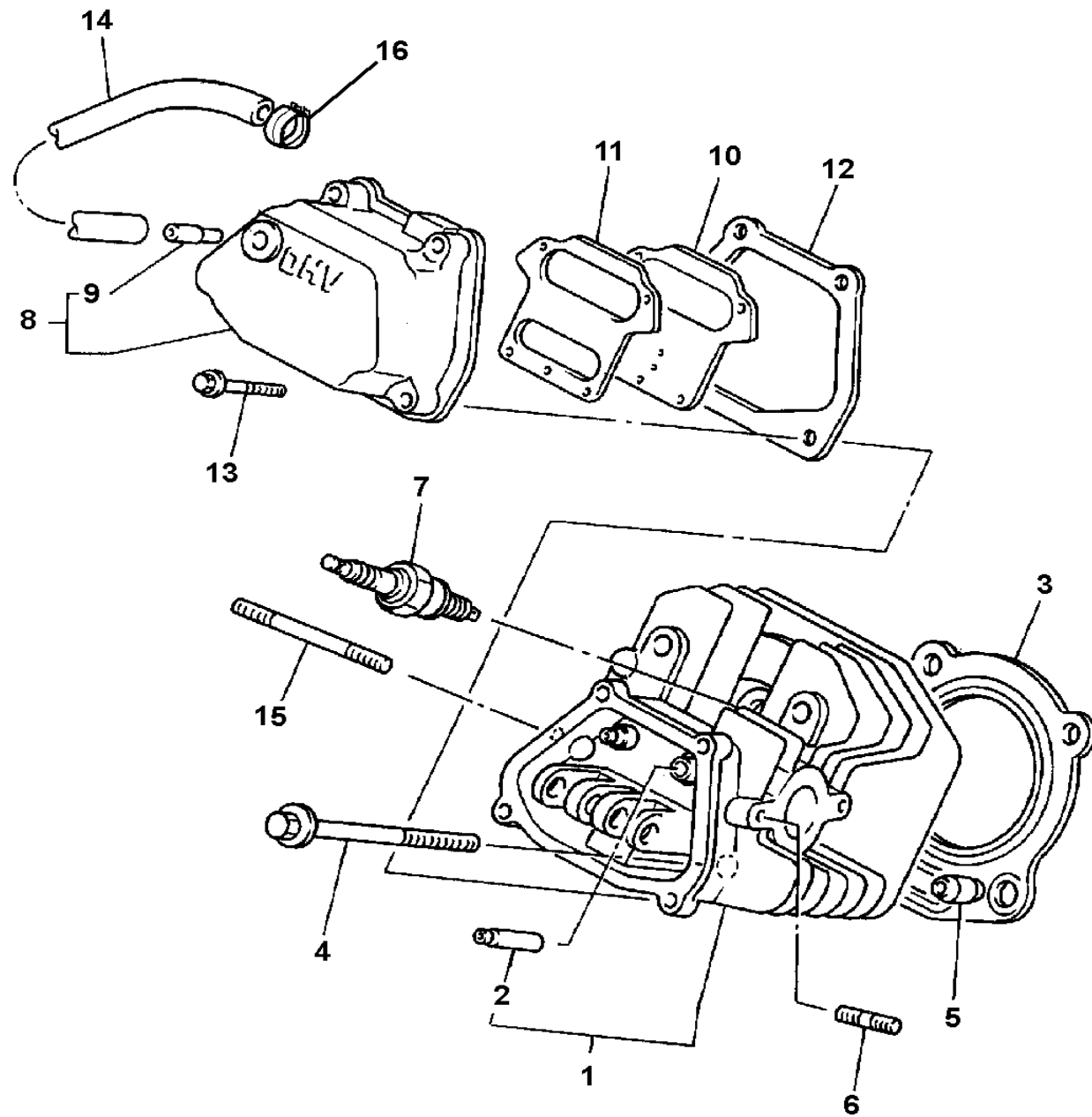
CONTENTS

ACCELERATOR	C1
AIR SHROUD FAN	A9
BODY 1	C11
BODY 2	D1-2
BODY FITTING	D3
BRAKE 1	B9-10
BRAKE 2	B11
BRAKE 3	B12
BUMPER	C10
CAMSHAFT VALVE	A8
CARBURETOR	A11
CARRIER	D4
CRANKCASE	B1
CRANKSHAFT PISTON	A7
CYLINDER HEAD	A6
ELECTRICAL 1	D9
ELECTRICAL 2	D10-11
ENGINE ASSEMBLY	A5
ENGINE MOUNT	B2
EXHAUST	A12
FRAME	B4
FRONT SEAT	D5
FRONT SUSPENSION WHEEL	B5-6
FUEL TANK	B8
GOVERNOR	C2
INTAKE	A10
INTERMEDIATE BODY	C12
OPTIONAL HUB CAPS	D12
OPTIONAL ORNAMENTAL PLATE	E3
OPTIONAL SUN ROOF	E2
OPTIONAL WINDSHIELD	E1
PRIMARY CLUTCH	C3
REAR ARM SUSPENSION	B3
REAR AXLE MOUNT WHEEL	C8
REAR SEAT	D6
SECONDARY SHEAVE	C4
SHIFTER CABLES	C9
STARTER GENERATOR	D7-8
STEERING	B7
TRANSMISSION 1	C5-7
-MODELS IN THIS CATALOG	E4



JR3100-0001

CYLINDER HEAD



Ref. No.	Part Number	Description	Qty	Remarks
1	JN6-11102-00-00	HEAD, CYLINDER	1	
2	JN6-11133-10-00	. GUIDE, VALVE 1	2	
3	JN6-11181-00-00	GASKET, CYLINDER HEAD	1	
4	95817-10070-00	BOLT, FLANGE	1	
5	99530-14016-00	PIN, DOWEL	2	
6	95617-08618-00	BOLT, STUD (95627-08618-00)	2	
7	NGK-BPR4E-S0-00	PLUG, SPARK	1	AP, U.S.
	NGK-BPR2E-S0-00	PLUG, SPARK (NGK BPR2E)	1	STD, U.S.
	94702-00343-00	PLUG, SPARK	1	AP, EUROPE
	94702-00348-00	PLUG, SPARK	1	STD, EUROPE
8	JN6-11191-01-00	COVER, CYLINDER	1	
9	JN6-11116-00-00	. JOINT, BREATHER	1	
10	JN6-11168-00-00	COVER, BREATHER	1	
11	JN6-11169-00-00	GASKET, BREATHER	1	
12	JN6-11193-00-00	GASKET, HEAD COVER	1	
13	95817-06030-00	BOLT, FLANGE	4	
14	JN6-E1166-00-00	PIPE, BREATHER	1	
15	95617-08710-00	BOLT, STUD	2	
16	90467-13847-00	CLAMP	2	

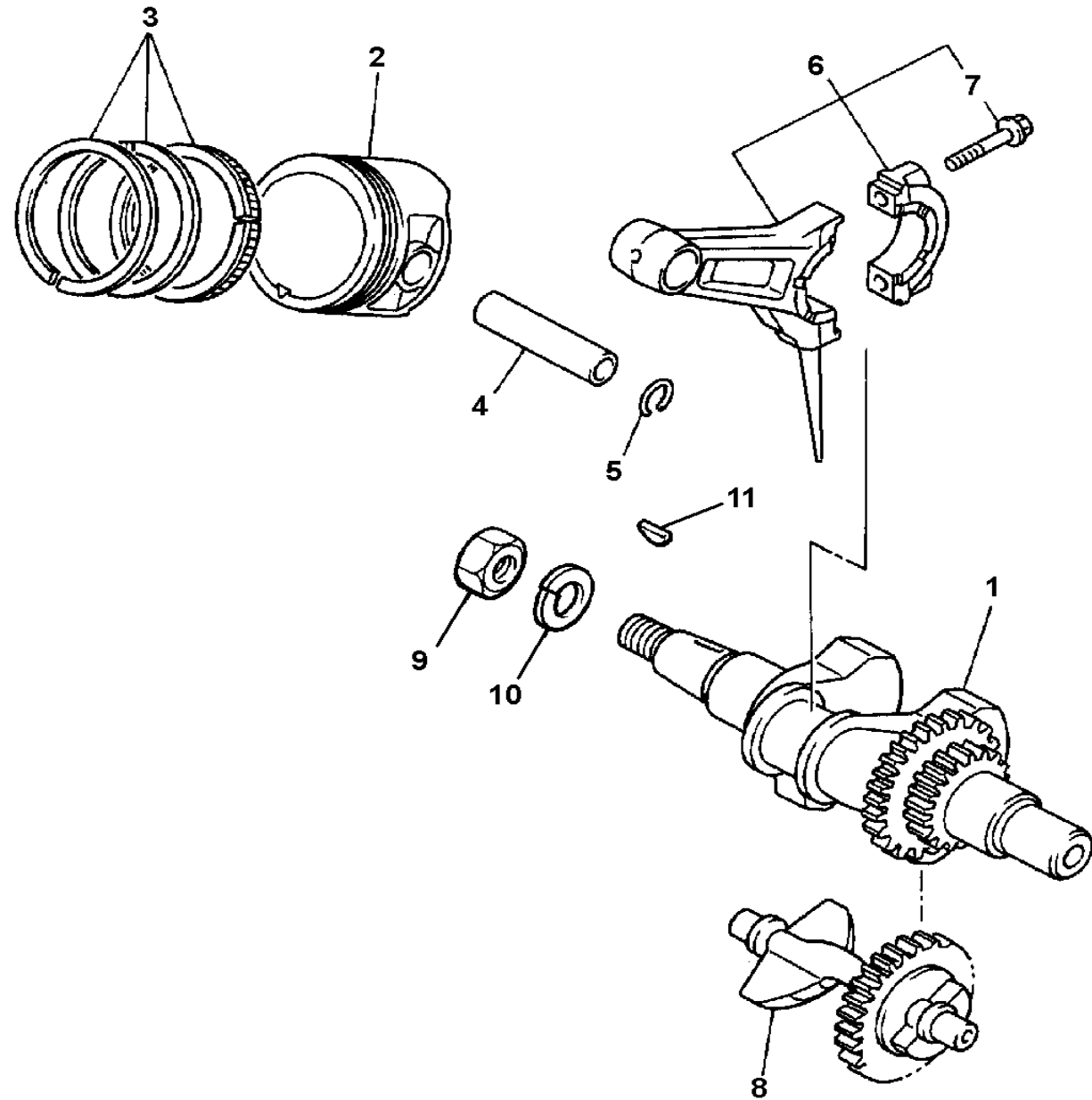
CONTENTS

ACCELERATOR	C1
AIR SHROUD FAN	A9
BODY 1	C11
BODY 2	D1-2
BODY FITTING	D3
BRAKE 1	B9-10
BRAKE 2	B11
BRAKE 3	B12
BUMPER	C10
CAMSHAFT VALVE	A8
CARBURETOR	A11
CARRIER	D4
CRANKCASE	B1
CRANKSHAFT PISTON	A7
CYLINDER HEAD	A6
ELECTRICAL 1	D9
ELECTRICAL 2	D10-11
ENGINE ASSEMBLY	A5
ENGINE MOUNT	B2
EXHAUST	A12
FRAME	B4
FRONT SEAT	D5
FRONT SUSPENSION WHEEL	B5-6
FUEL TANK	B8
GOVERNOR	C2
INTAKE	A10
INTERMEDIATE BODY	C12
OPTIONAL HUB CAPS	D12
OPTIONAL ORNAMENTAL PLATE	E3
OPTIONAL SUN ROOF	E2
OPTIONAL WINDSHIELD	E1
PRIMARY CLUTCH	C3
REAR ARM SUSPENSION	B3
REAR AXLE MOUNT WHEEL	C8
REAR SEAT	D6
SECONDARY SHEAVE	C4
SHIFTER CABLES	C9
STARTER GENERATOR	D7-8
STEERING	B7
TRANSMISSION 1	C5-7
-MODELS IN THIS CATALOG	E4



JN7010-6011

CRANKSHAFT PISTON



Ref. No.	Part Number	Description	Qty	Remarks
1	JN6-11400-00-00	CRANKSHAFT ASSY	1	
2	JN6-11631-00-A0	PISTON (STD)	1	STD
	JN6-11635-00-00	PISTON (0.25MM O/S)	1	AP
	JN6-11636-00-00	PISTON (0.50MM O/S)	1	AP
3	JN6-11610-00-00	PISTON RING SET (STD)	1	STD
	JN6-11610-20-00	PISTON RING SET (0.50MM O/S)	1	AP
	JN6-11610-10-00	PISTON RING SET (0.25MM O/S)	1	AP
4	447-11633-00-00	PIN, PISTON	1	
5	93450-21053-00	CIRCLIP	2	
6	JN6-11650-00-00	CONNECTING ROD ASSY	1	
7	JN6-11654-00-00	. BOLT, CONNECTING ROD ..	2	
8	JN6-11454-00-00	WEIGHT 1	1	
9	95317-18600-00	NUT, HEX.	1	
10	90201-18620-00	WASHER, PLAIN	1	
11	90280-04052-00	KEY, WOODRUFF	1	

CONTENTS

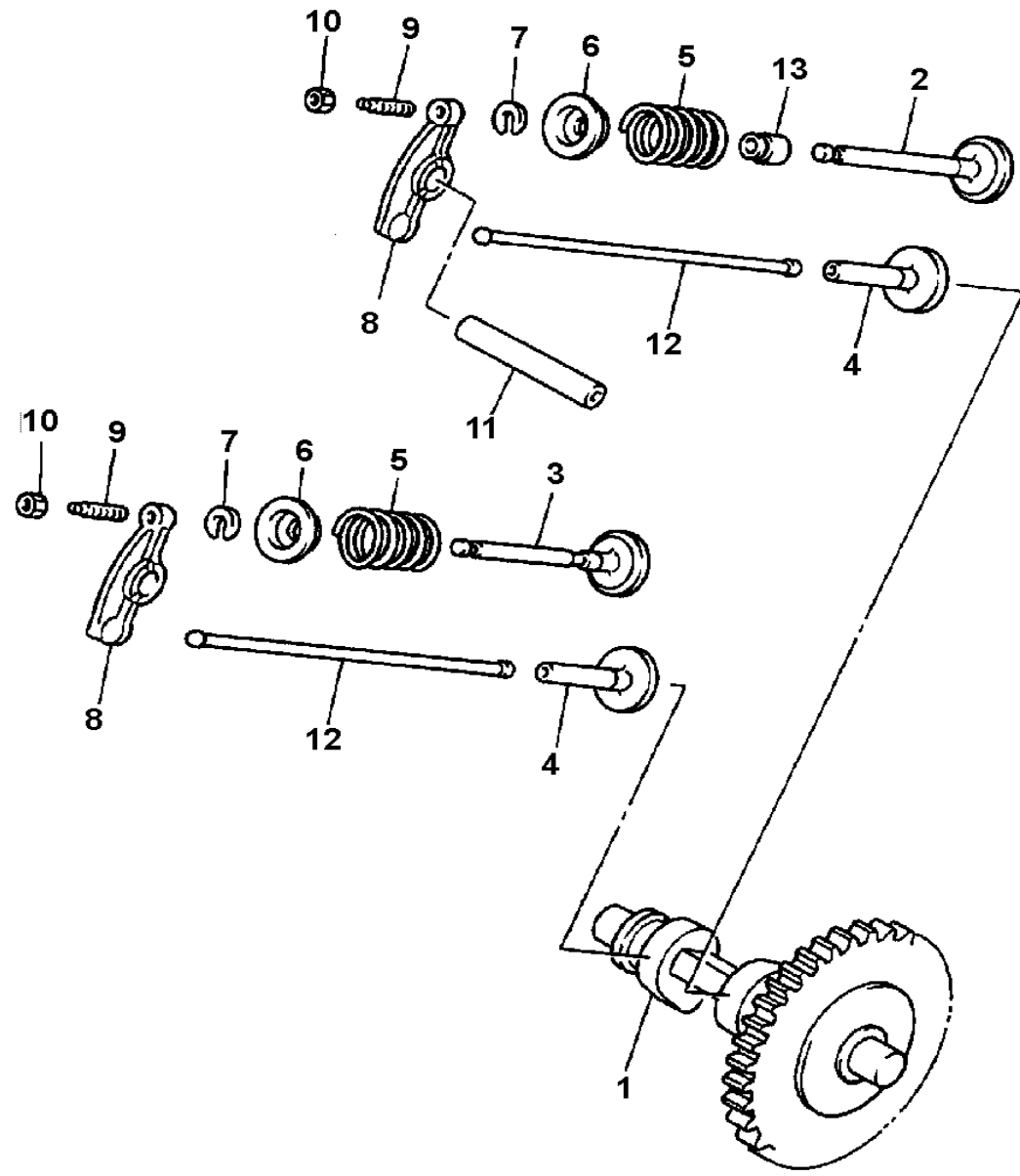
ACCELERATOR	C1
AIR SHROUD FAN	A9
BODY 1	C11
BODY 2	D1-2
BODY FITTING	D3
BRAKE 1	B9-10
BRAKE 2	B11
BRAKE 3	B12
BUMPER	C10
CAMSHAFT VALVE	A8
CARBURETOR	A11
CARRIER	D4
CRANKCASE	B1
CRANKSHAFT PISTON	A7
CYLINDER HEAD	A6
ELECTRICAL 1	D9
ELECTRICAL 2	D10-11
ENGINE ASSEMBLY	A5
ENGINE MOUNT	B2
EXHAUST	A12
FRAME	B4
FRONT SEAT	D5
FRONT SUSPENSION WHEEL	B5-6
FUEL TANK	B8
GOVERNOR	C2
INTAKE	A10
INTERMEDIATE BODY	C12
OPTIONAL HUB CAPS	D12
OPTIONAL ORNAMENTAL PLATE	E3
OPTIONAL SUN ROOF	E2
OPTIONAL WINDSHIELD	E1
PRIMARY CLUTCH	C3
REAR ARM SUSPENSION	B3
REAR AXLE MOUNT WHEEL	C8
REAR SEAT	D6
SECONDARY SHEAVE	C4
SHIFTER CABLES	C9
STARTER GENERATOR	D7-8
STEERING	B7
TRANSMISSION 1	C5-7
-MODELS IN THIS CATALOG	E4



JN7010-6020


CAMSHAFT VALVE

Ref. No.	Part Number	Description	Qty	Remarks
1	JN6-12171-00-00	SHIFT CAM 1	1	
2	JN6-12111-01-00	VALVE, INTAKE	1	
3	JN6-12121-00-00	VALVE, EXHAUST	1	
4	JN6-12153-00-00	LIFTER, VALVE	2	
5	90501-264A9-00	SPRING, COMPRESSION	2	
6	J38-12117-01-00	RETAINER, VALVE SPRING ..	2	
7	J38-12118-00-00	COTTER, VALVE	2	
8	JN6-12151-00-00	ARM, VALVE ROCKER	2	
9	22F-12159-00-00	SCREW, VALVE	2	
10	90170-05302-00	NUT, HEX	2	
11	J38-12156-00-00	SHAFT, ROCKER 2	1	
12	JN6-12154-00-00	ROD, VALVE PUSH	2	
13	5H0-12119-00-00	SEAL, VALVE STEM	1	

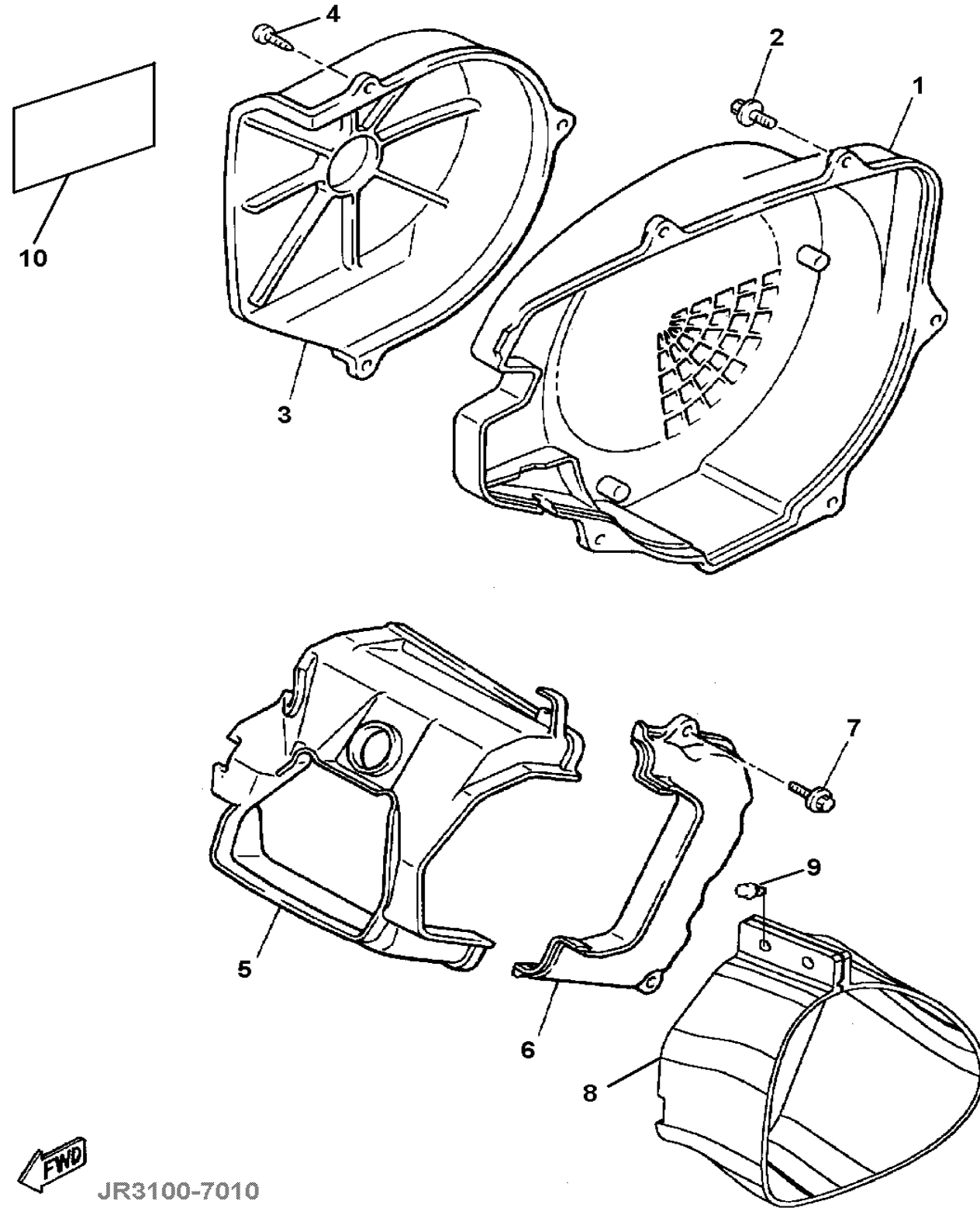


CONTENTS

ACCELERATOR	C1
AIR SHROUD FAN	A9
BODY 1	C11
BODY 2	D1-2
BODY FITTING	D3
BRAKE 1	B9-10
BRAKE 2	B11
BRAKE 3	B12
BUMPER	C10
CAMSHAFT VALVE	A8
CARBURETOR	A11
CARRIER	D4
CRANKCASE	B1
CRANKSHAFT PISTON	A7
CYLINDER HEAD	A6
ELECTRICAL 1	D9
ELECTRICAL 2	D10-11
ENGINE ASSEMBLY	A5
ENGINE MOUNT	B2
EXHAUST	A12
FRAME	B4
FRONT SEAT	D5
FRONT SUSPENSION WHEEL	B5-6
FUEL TANK	B8
GOVERNOR	C2
INTAKE	A10
INTERMEDIATE BODY	C12
OPTIONAL HUB CAPS	D12
OPTIONAL ORNAMENTAL PLATE	E3
OPTIONAL SUN ROOF	E2
OPTIONAL WINDSHIELD	E1
PRIMARY CLUTCH	C3
REAR ARM SUSPENSION	B3
REAR AXLE MOUNT WHEEL	C8
REAR SEAT	D6
SECONDARY SHEAVE	C4
SHIFTER CABLES	C9
STARTER GENERATOR	D7-8
STEERING	B7
TRANSMISSION 1	C5-7
-MODELS IN THIS CATALOG	E4

 JN7010-6030

AIR SHROUD FAN



Ref. No.	Part Number	Description	Qty	Remarks
1	JN6-12621-00-00	CASE, FAN 1	1	
2	95817-06020-00	BOLT, FLANGE	5	
3	JN6-12616-00-00	COVER, FAN CASE	1	
4	97707-60520-00	SCREW, TAPPING	3	
5	JN6-12651-00-00	AIR SHROUD, CYLINDER 1 ...	1	
6	JN6-12652-00-00	AIR SHROUD, CYLINDER 2 ...	1	
7	95817-06020-00	BOLT, FLANGE	2	
8	JN6-E2691-00-00	DUCT, 1	1	
9	90269-08813-00	RIVET	2	
10	JR3-2179R-03-00	PLATE, EPACA	1	UR, U.S. MODEL

CONTENTS

ACCELERATOR	C1
AIR SHROUD FAN	A9
BODY 1	C11
BODY 2	D1-2
BODY FITTING	D3
BRAKE 1	B9-10
BRAKE 2	B11
BRAKE 3	B12
BUMPER	C10
CAMSHAFT VALVE	A8
CARBURETOR	A11
CARRIER	D4
CRANKCASE	B1
CRANKSHAFT PISTON	A7
CYLINDER HEAD	A6
ELECTRICAL 1	D9
ELECTRICAL 2	D10-11
ENGINE ASSEMBLY	A5
ENGINE MOUNT	B2
EXHAUST	A12
FRAME	B4
FRONT SEAT	D5
FRONT SUSPENSION WHEEL	B5-6
FUEL TANK	B8
GOVERNOR	C2
INTAKE	A10
INTERMEDIATE BODY	C12
OPTIONAL HUB CAPS	D12
OPTIONAL ORNAMENTAL PLATE	E3
OPTIONAL SUN ROOF	E2
OPTIONAL WINDSHIELD	E1
PRIMARY CLUTCH	C3
REAR ARM SUSPENSION	B3
REAR AXLE MOUNT WHEEL	C8
REAR SEAT	D6
SECONDARY SHEAVE	C4
SHIFTER CABLES	C9
STARTER GENERATOR	D7-8
STEERING	B7
TRANSMISSION 1	C5-7
-MODELS IN THIS CATALOG	E4



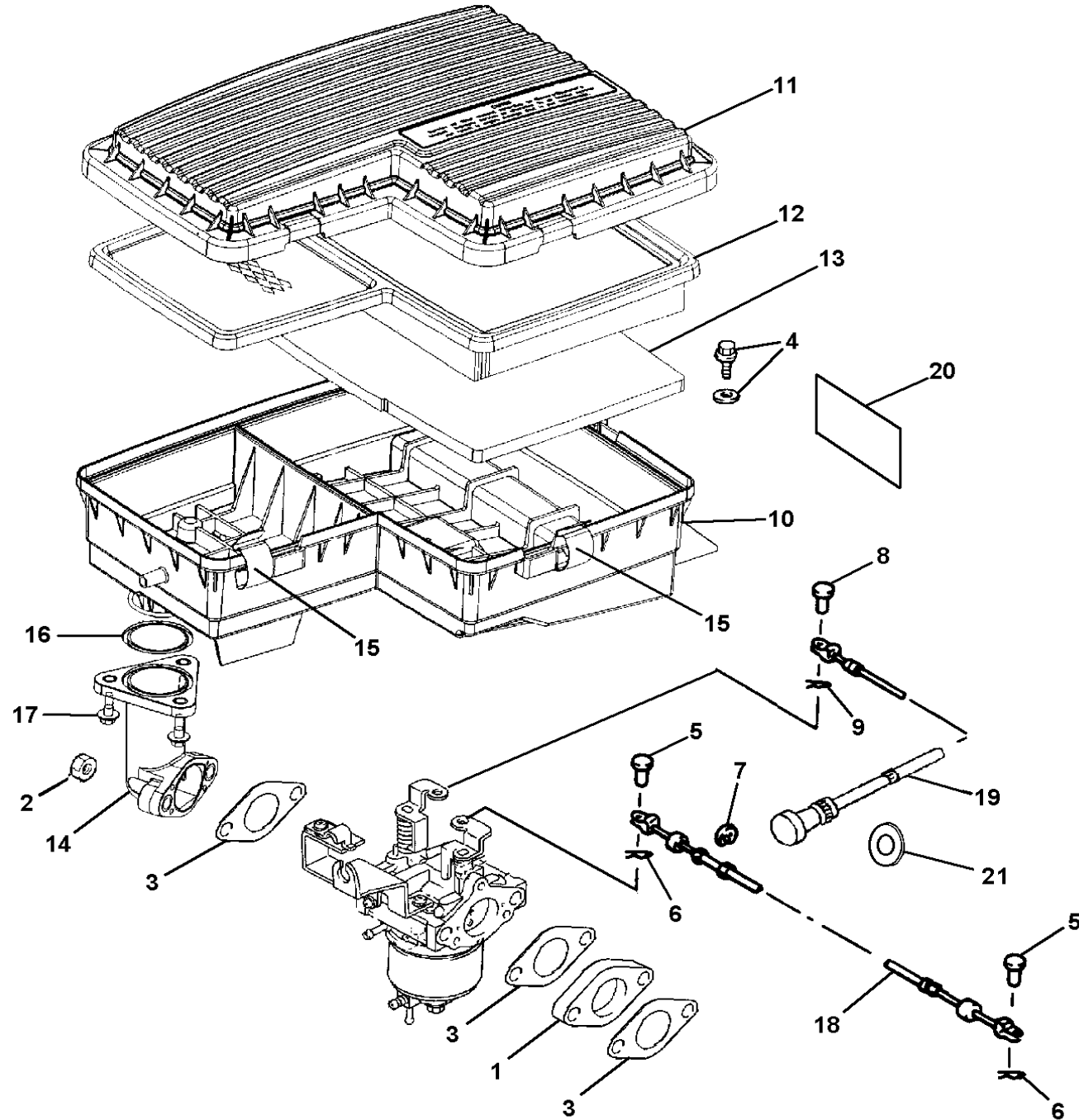
JR3100-7010

INTAKE

Ref. No.	Part Number	Description	Qty	Remarks
1	JN6-13595-00-00	JOINT	1	
2	95707-08500-00	NUT, FLANGE	2	
3	JN6-13567-00-00	GASKET	3	
4	90119-06920-00	BOLT, HEX HEAD W/ WASHER	2	
5	91790-05010-00	PIN, CYLINDER HEAD	2	
6	90468-10050-00	CLIP	2	
7	99080-07600-00	CIRCLIP (E)	1	
8	91790-05010-00	PIN, CYLINDER HEAD	1	
9	90468-10050-00	CLIP	1	
10	JN6-E4411-02-00	CASE, AIR FILTER	1	INCLUDE WARNING LABEL 1 WITH REPLACEMENT
11	JN6-E4412-01-00	CAP, CASE 1	1	
12	JN6-E4450-01-00	ELEMENT ASSY	1	
13	JN6-E445E-00-00	FILTER 1	1	
14	JN6-E3586-01-00	JOINT, CARBURETOR	1	
15	JN6-E4424-00-00	CLIP, CAP FITTING	1	
16	93210-398D6-00	O-RING	1	
17	90105-06862-00	BOLT, FLANGE	3	
18	JN6-F6312-01-00	WIRE, THROTTLE	1	
19	JR8-F6331-02-00	WIRE, STARTER	1	
20	JN6-K7761-10-00	LABEL, WARNING 1	1	INCLUDE WHEN REPLACING AIR FILTER CASE
21	90201-118N2-00	WASHER, PLAIN	1	

CONTENTS

ACCELERATOR	C1
AIR SHROUD FAN	A9
BODY 1	C11
BODY 2	D1-2
BODY FITTING	D3
BRAKE 1	B9-10
BRAKE 2	B11
BRAKE 3	B12
BUMPER	C10
CAMSHAFT VALVE	A8
CARBURETOR	A11
CARRIER	D4
CRANKCASE	B1
CRANKSHAFT PISTON	A7
CYLINDER HEAD	A6
ELECTRICAL 1	D9
ELECTRICAL 2	D10-11
ENGINE ASSEMBLY	A5
ENGINE MOUNT	B2
EXHAUST	A12
FRAME	B4
FRONT SEAT	D5
FRONT SUSPENSION WHEEL	B5-6
FUEL TANK	B8
GOVERNOR	C2
INTAKE	A10
INTERMEDIATE BODY	C12
OPTIONAL HUB CAPS	D12
OPTIONAL ORNAMENTAL PLATE	E3
OPTIONAL SUN ROOF	E2
OPTIONAL WINDSHIELD	E1
PRIMARY CLUTCH	C3
REAR ARM SUSPENSION	B3
REAR AXLE MOUNT WHEEL	C8
REAR SEAT	D6
SECONDARY SHEAVE	C4
SHIFTER CABLES	C9
STARTER GENERATOR	D7-8
STEERING	B7
TRANSMISSION 1	C5-7
-MODELS IN THIS CATALOG	E4



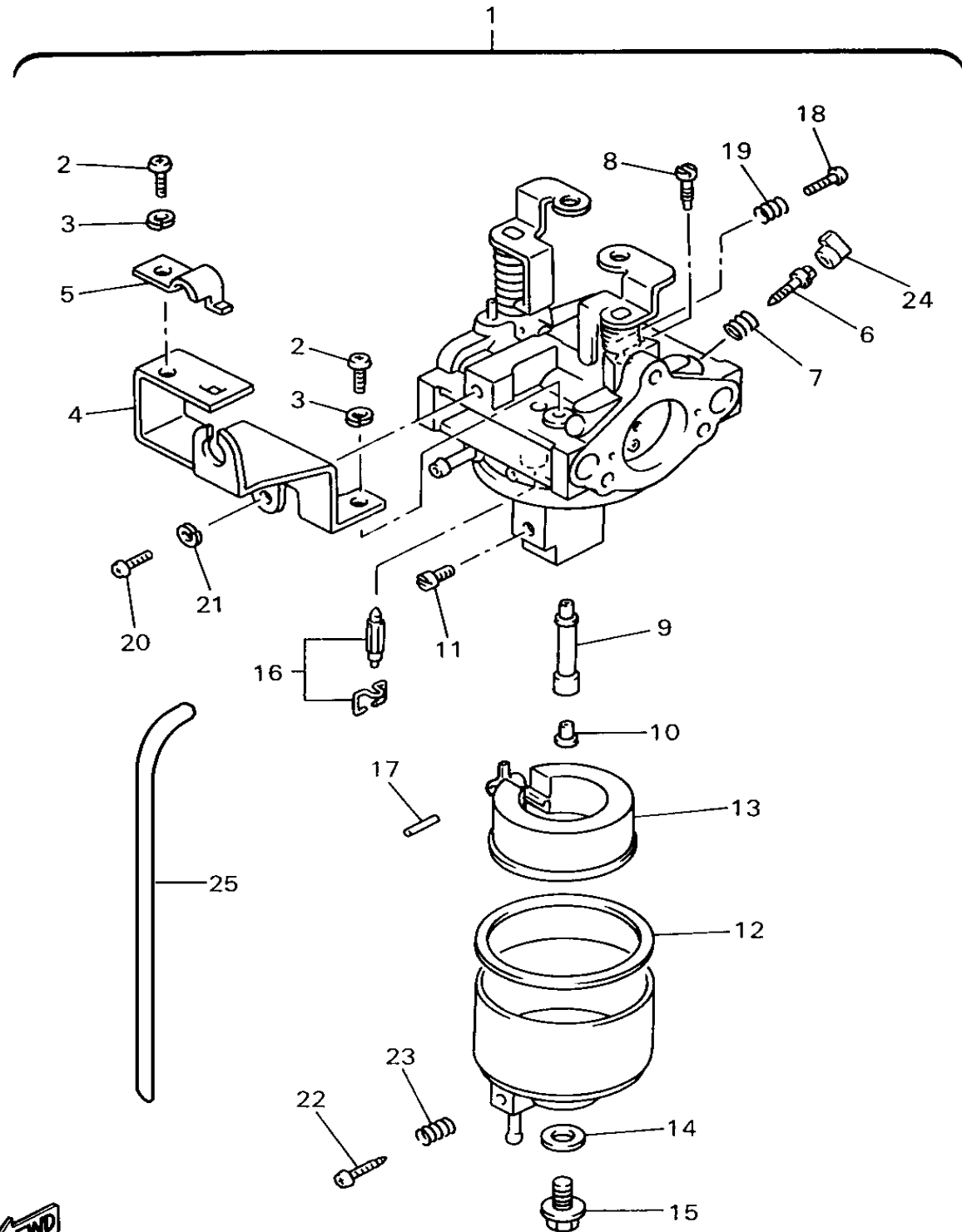
JN6200-7010

CARBURETOR

Ref. No.	Part Number	Description	Qty	Remarks
1	JN6-14101-14-00	CARBURETOR ASSEMBLY. . .	1	
2	98507-05100-00	. SCREW, PAN HEAD	2	
3	92990-05100-00	. WASHER, LOCK	2	
4	JN6-14291-00-00	. BRACKET 1	1	
5	J10-14227-00-00	. WASHER	1	
6	7LV-14211-00-00	. SCREW, PILOT ADJUSTING . .	1	
7	73A-14212-00-00	. SCREW, PILOT ADJUSTING . .	1	
8	620-1414J-24-00	. JET, PILOT	1	(#61.3)
9	JN6-1495H-38-00	. NOZZLE, MAIN	1	
10	73A-1414G-00-00	. PIPE, MAIN BLEED	1	
11	3G2-142E3-33-00	. JET, MAIN	1	(#83.8)
12	796-14184-00-00	. GASKET, FLOAT CHAMBER . .	1	
13	JN6-14185-00-00	. FLOAT	1	
14	127-14198-00-00	. GASKET	1	
15	7R1-14162-00-00	. BOLT, HOLDING	1	
16	JN5-14150-00-00	. NEEDLE ASSY	1	
17	22F-14186-00-00	. PIN, FLOAT	1	
18	1WG-14922-00-00	. SCREW, THROTTLE	1	
19	73A-14212-10-00	. SPRING	1	
20	98507-04010-00	. SCREW, PAN HEAD	1	
21	92990-05100-00	. WASHER, LOCK	1	
22	7E1-14191-00-00	. PLUG, DRAIN	1	
23	73A-14212-00-00	. SCREW, PILOT ADJUSTING . .	1	
24	7LV-14118-00-00	. CAP	1	
25	1KT-14197-01-00	. VENT HOSE	1	

CONTENTS

ACCELERATOR	C1
AIR SHROUD FAN	A9
BODY 1	C11
BODY 2	D1-2
BODY FITTING	D3
BRAKE 1	B9-10
BRAKE 2	B11
BRAKE 3	B12
BUMPER	C10
CAMSHAFT VALVE	A8
CARBURETOR	A11
CARRIER	D4
CRANKCASE	B1
CRANKSHAFT PISTON	A7
CYLINDER HEAD	A6
ELECTRICAL 1	D9
ELECTRICAL 2	D10-11
ENGINE ASSEMBLY	A5
ENGINE MOUNT	B2
EXHAUST	A12
FRAME	B4
FRONT SEAT	D5
FRONT SUSPENSION WHEEL	B5-6
FUEL TANK	B8
GOVERNOR	C2
INTAKE	A10
INTERMEDIATE BODY	C12
OPTIONAL HUB CAPS	D12
OPTIONAL ORNAMENTAL PLATE	E3
OPTIONAL SUN ROOF	E2
OPTIONAL WINDSHIELD	E1
PRIMARY CLUTCH	C3
REAR ARM SUSPENSION	B3
REAR AXLE MOUNT WHEEL	C8
REAR SEAT	D6
SECONDARY SHEAVE	C4
SHIFTER CABLES	C9
STARTER GENERATOR	D7-8
STEERING	B7
TRANSMISSION 1	C5-7
-MODELS IN THIS CATALOG	E4



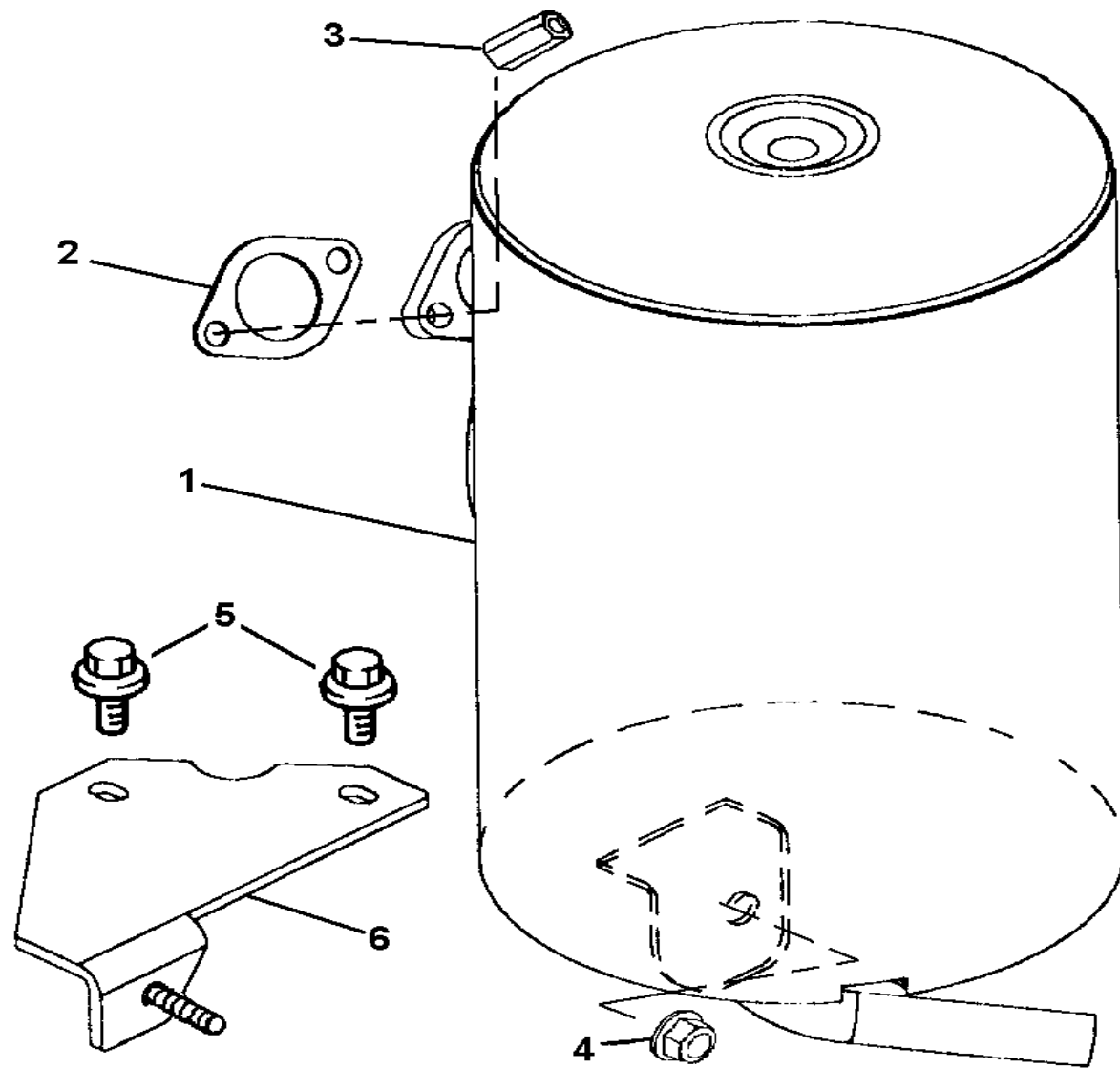
JR2010-7060

EXHAUST

Ref. No.	Part Number	Description	Qty	Remarks
1	JN6-E4710-00-00	MUFFLER ASSEMBLY	1	
2	7KY-14613-01-00	GASKET, EXHAUST 1	1	
3	90179-08879-00	NUT	2	
4	90185-08841-00	NUT, U-FLANGE	1	
5	90119-08825-00	BOLT, HEX HEAD WITH WASHER	2	
6	JN6-F1435-10-00	BRACKET, MUFFLER	1	

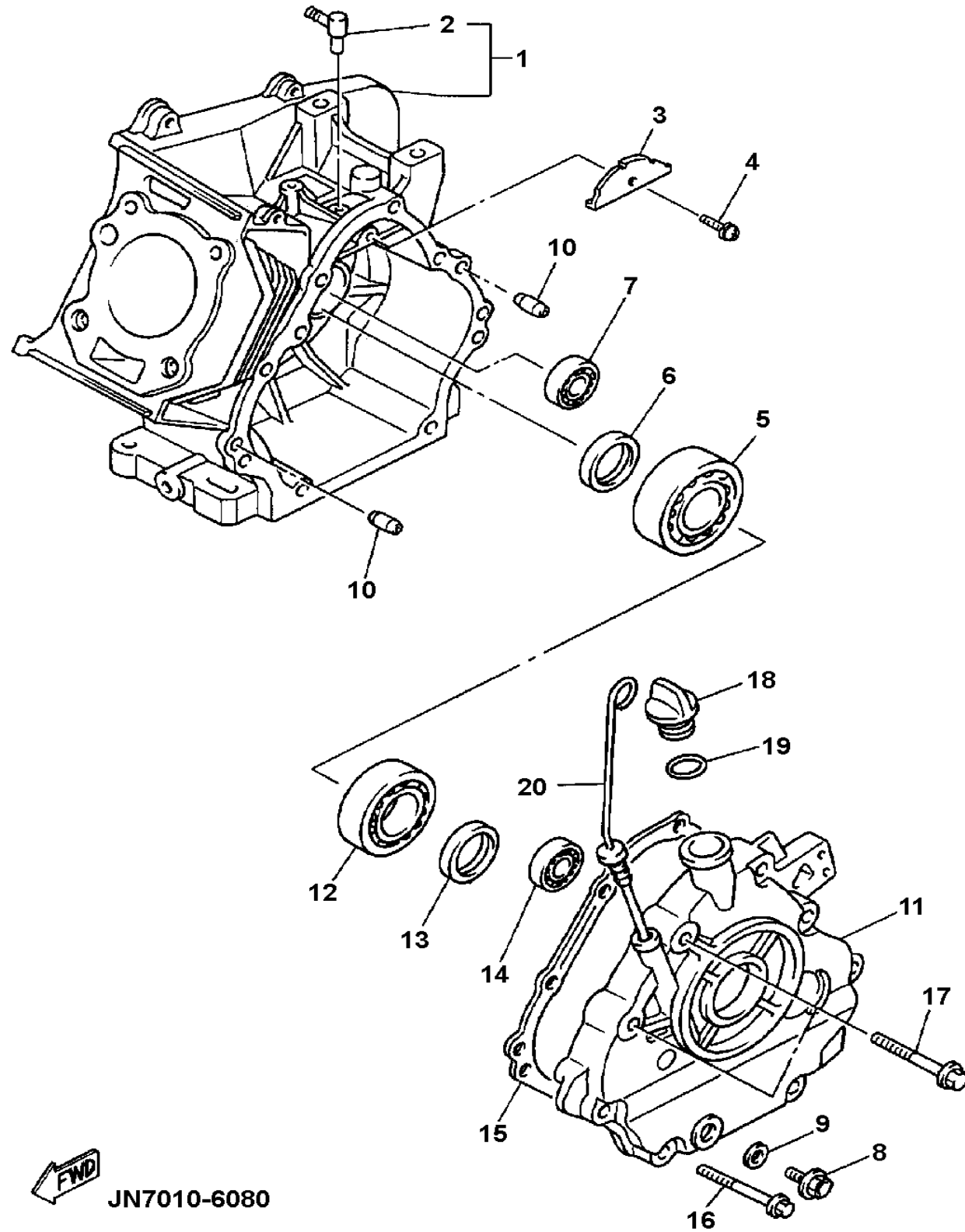
CONTENTS

ACCELERATOR	C1
AIR SHROUD FAN	A9
BODY 1	C11
BODY 2	D1-2
BODY FITTING	D3
BRAKE 1	B9-10
BRAKE 2	B11
BRAKE 3	B12
BUMPER	C10
CAMSHAFT VALVE	A8
CARBURETOR	A11
CARRIER	D4
CRANKCASE	B1
CRANKSHAFT PISTON	A7
CYLINDER HEAD	A6
ELECTRICAL 1	D9
ELECTRICAL 2	D10-11
ENGINE ASSEMBLY	A5
ENGINE MOUNT	B2
EXHAUST	A12
FRAME	B4
FRONT SEAT	D5
FRONT SUSPENSION WHEEL	B5-6
FUEL TANK	B8
GOVERNOR	C2
INTAKE	A10
INTERMEDIATE BODY	C12
OPTIONAL HUB CAPS	D12
OPTIONAL ORNAMENTAL PLATE	E3
OPTIONAL SUN ROOF	E2
OPTIONAL WINDSHIELD	E1
PRIMARY CLUTCH	C3
REAR ARM SUSPENSION	B3
REAR AXLE MOUNT WHEEL	C8
REAR SEAT	D6
SECONDARY SHEAVE	C4
SHIFTER CABLES	C9
STARTER GENERATOR	D7-8
STEERING	B7
TRANSMISSION 1	C5-7
-MODELS IN THIS CATALOG	E4



JN6100-6021

CRANKCASE

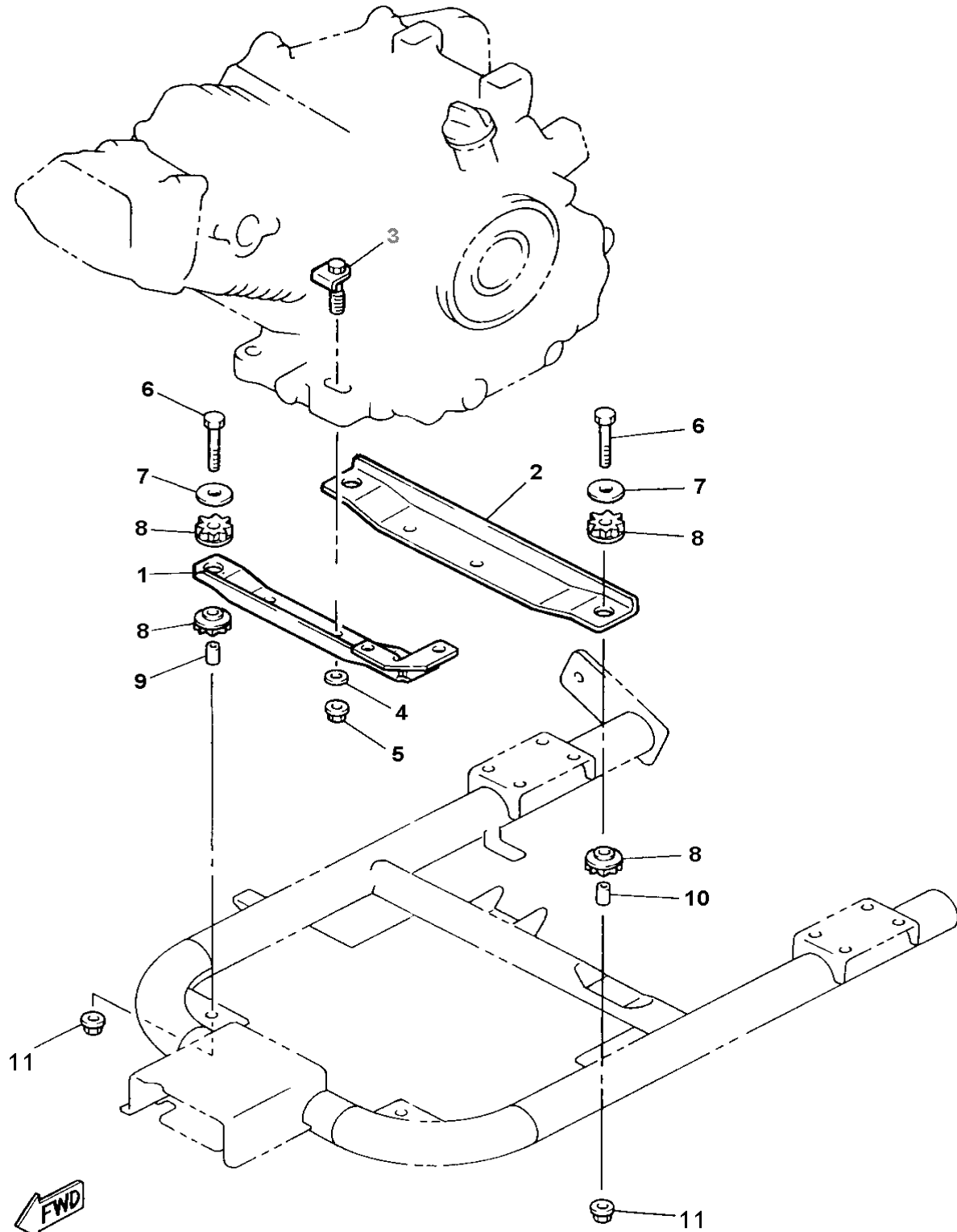


Ref. No.	Part Number	Description	Qty	Remarks
1	JN6-15100-02-00	CRANKCASE ASSEMBLY	1	
2	JN6-15155-00-00	. NOZZLE 3	1	
3	JN6-15123-00-00	PLATE, BAFFLE	1	
4	90159-06107-00	SCREW, WITH WASHER	1	
5	93306-30709-00	BEARING	1	
6	93102-35191-00	OIL SEAL	1	
7	93306-20211-00	BEARING	1	
8	90340-12097-00	PLUG, STRAIGHT SCREW	1	
9	812-11198-00-00	GASKET	1	
10	91808-16023-00	.PIN, DOWEL	1	
11	JN6-15411-00-00	COVER, CRANKCASE 1	1	
12	93306-20716-00	BEARING	1	
13	93102-35191-00	OIL SEAL	1	
14	93306-20211-00	BEARING	1	
15	JN6-15451-02-00	GASKET, CRANKCASE COVER 1	1	
16	95817-08045-00	BOLT, FLANGE	6	
17	95817-10050-00	BOLT, FLANGE	2	
18	796-15363-01-00	PLUG, OIL	1	
19	93210-22344-00	O-RING	1	
20	J38-15361-00-00	GAUGE, LEVEL	1	

CONTENTS

ACCELERATOR	C1
AIR SHROUD FAN	A9
BODY 1	C11
BODY 2	D1-2
BODY FITTING	D3
BRAKE 1	B9-10
BRAKE 2	B11
BRAKE 3	B12
BUMPER	C10
CAMSHAFT VALVE	A8
CARBURETOR	A11
CARRIER	D4
CRANKCASE	B1
CRANKSHAFT PISTON	A7
CYLINDER HEAD	A6
ELECTRICAL 1	D9
ELECTRICAL 2	D10-11
ENGINE ASSEMBLY	A5
ENGINE MOUNT	B2
EXHAUST	A12
FRAME	B4
FRONT SEAT	D5
FRONT SUSPENSION WHEEL	B5-6
FUEL TANK	B8
GOVERNOR	C2
INTAKE	A10
INTERMEDIATE BODY	C12
OPTIONAL HUB CAPS	D12
OPTIONAL ORNAMENTAL PLATE	E3
OPTIONAL SUN ROOF	E2
OPTIONAL WINDSHIELD	E1
PRIMARY CLUTCH	C3
REAR ARM SUSPENSION	B3
REAR AXLE MOUNT WHEEL	C8
REAR SEAT	D6
SECONDARY SHEAVE	C4
SHIFTER CABLES	C9
STARTER GENERATOR	D7-8
STEERING	B7
TRANSMISSION 1	C5-7
-MODELS IN THIS CATALOG	E4

ENGINE MOUNT



Ref. No.	Part Number	Description	Qty	Remarks
1	JN6-F1411-00-00	BRACKET, ENGINE 1	1	
2	JN6-F1419-02-00	BRACKET, ENGINE 2	1	
3	JN6-F1481-00-00	BOLT, ENGINE	4	
4	92907-10200-00	WASHER, PLAIN	4	
5	95607-10200-00	NUT, U FLANGE	4	
6	90101-08870-00	BOLT, HEX	4	
7	90201-088K6-00	WASHER, PLAIN	4	
8	JN6-F1486-00-00	DAMPER, 2	8	
9	JN6-F1459-00-00	SPACER	2	
10	JN6-F1459-10-00	SPACER	2	
11	95617-08200-00	NUT, U-FLANGE (95607-08200-00)	4	

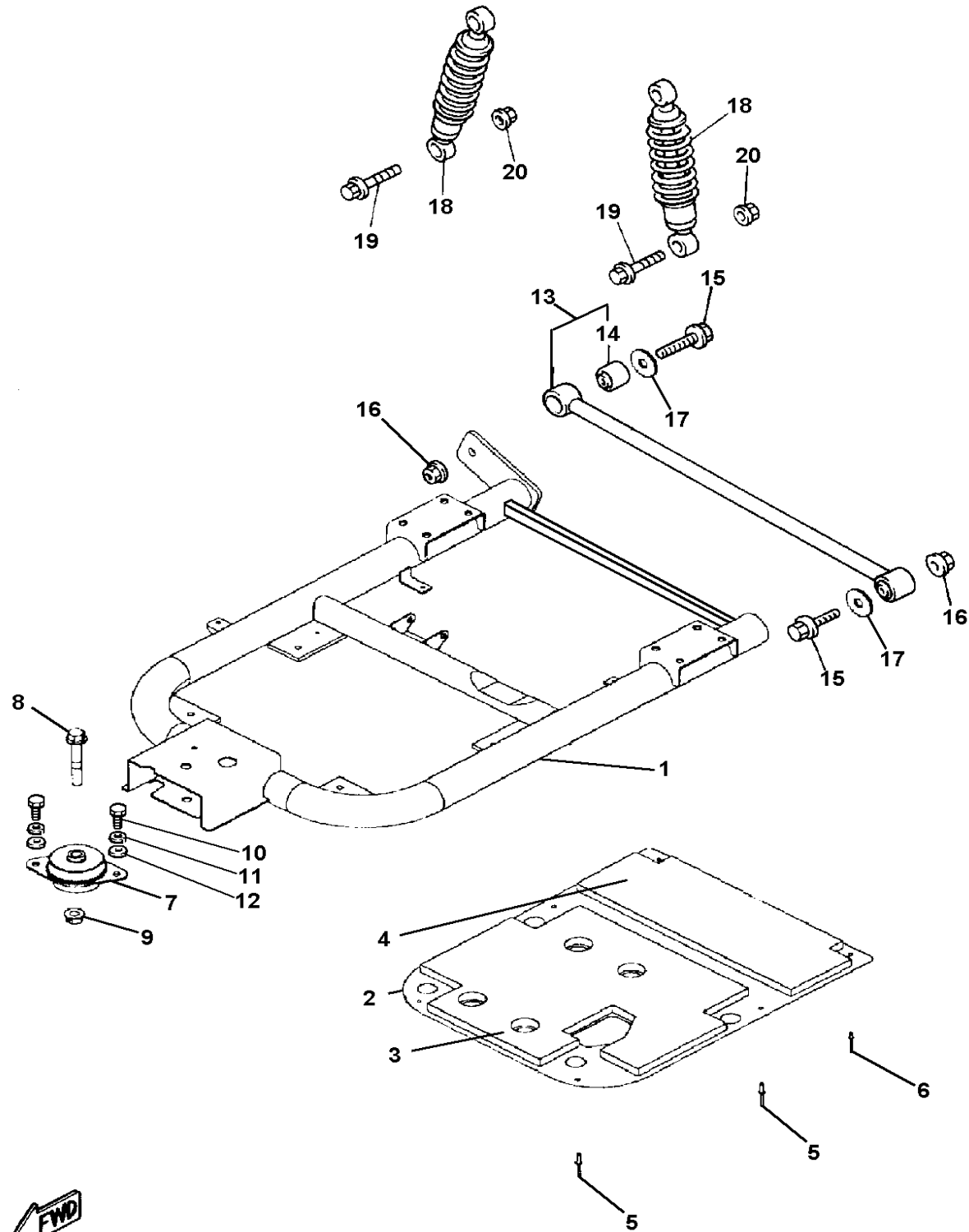
CONTENTS

ACCELERATOR	C1
AIR SHROUD FAN	A9
BODY 1	C11
BODY 2	D1-2
BODY FITTING	D3
BRAKE 1	B9-10
BRAKE 2	B11
BRAKE 3	B12
BUMPER	C10
CAMSHAFT VALVE	A8
CARBURETOR	A11
CARRIER	D4
CRANKCASE	B1
CRANKSHAFT PISTON	A7
CYLINDER HEAD	A6
ELECTRICAL 1	D9
ELECTRICAL 2	D10-11
ENGINE ASSEMBLY	A5
ENGINE MOUNT	B2
EXHAUST	A12
FRAME	B4
FRONT SEAT	D5
FRONT SUSPENSION WHEEL	B5-6
FUEL TANK	B8
GOVERNOR	C2
INTAKE	A10
INTERMEDIATE BODY	C12
OPTIONAL HUB CAPS	D12
OPTIONAL ORNAMENTAL PLATE	E3
OPTIONAL SUN ROOF	E2
OPTIONAL WINDSHIELD	E1
PRIMARY CLUTCH	C3
REAR ARM SUSPENSION	B3
REAR AXLE MOUNT WHEEL	C8
REAR SEAT	D6
SECONDARY SHEAVE	C4
SHIFTER CABLES	C9
STARTER GENERATOR	D7-8
STEERING	B7
TRANSMISSION 1	C5-7
-MODELS IN THIS CATALOG	E4

JR2010-7090

G20AU_AW_AX

REAR ARM SUSPENSION



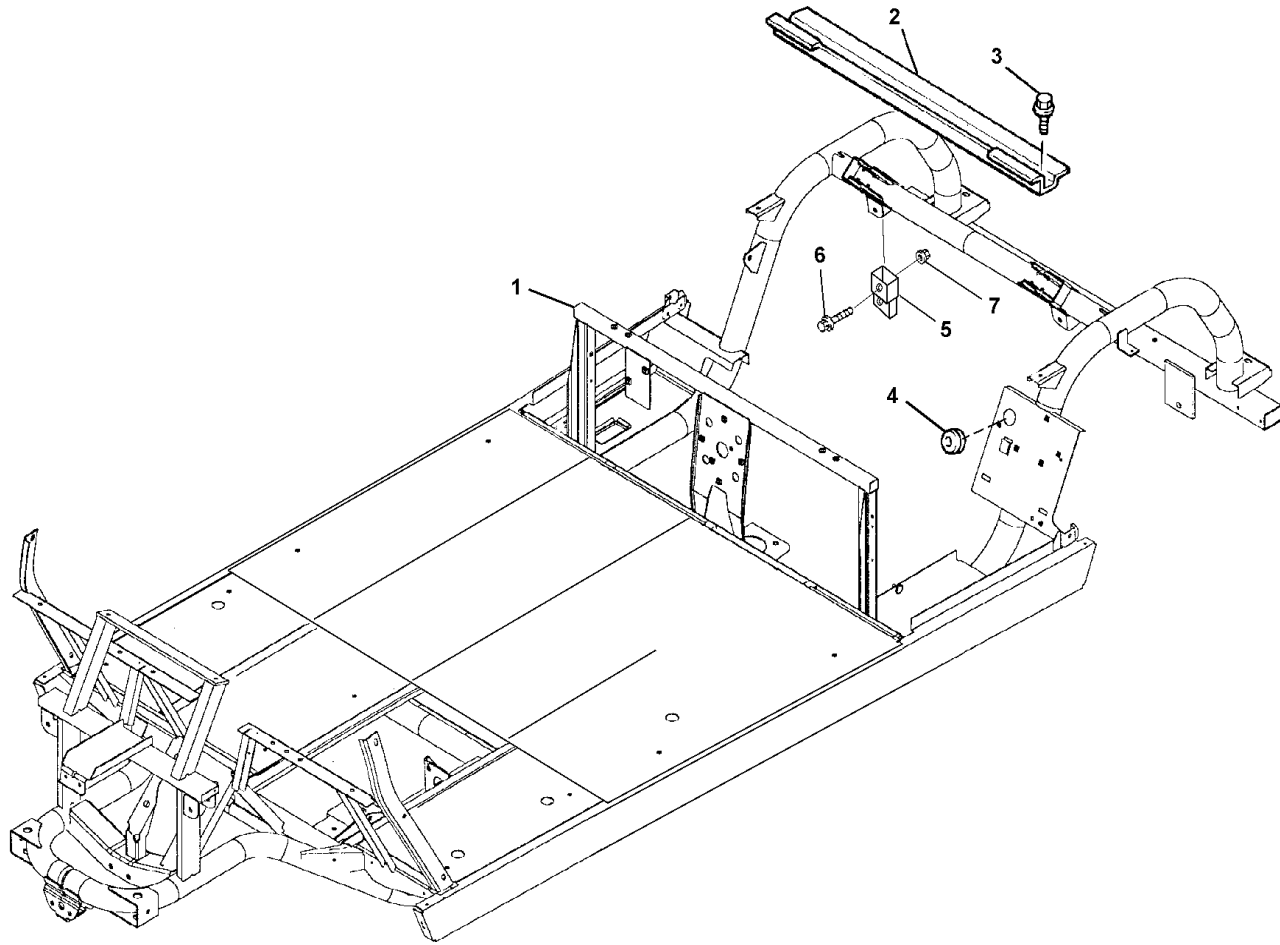
Ref. No.	Part Number	Description	Qty	Remarks
1	JN6-F2110-01-00	REAR ARM COMP.	1	
2	JN6-F2128-01-00	COVER, 1	1	
3	JN6-F211E-01-00	PANEL, INNER	1	
4	JN6-F211G-01-00	PANEL, INNER	1	
5	90267-48850-00	RIVET, BLIND	1	
6	90267-40851-00	RIVET, BLIND	4	
7	JN6-F2123-01-00	BUSHING, 1	1	
8	90105-13864-00	BOLT, FLANGE	1	
9	90179-13878-00	NUT	1	
10	97017-10020-00	BOLT	2	
11	92907-10100-00	WASHER, SPRING	2	
12	92907-10600-00	WASHER, PLATE	2	
13	JN6-F217G-00-00	ROD, CONNECTING	1	
14	JN6-F2124-00-00	BUSHING, 2	2	
15	95817-12065-00	BOLT, FLANGE	2	
16	95617-12200-00	NUT, SELF-LOCKING	2	
17	90201-12426-00	WASHER, PLAIN	2	
18	JN3-F2210-00-00	SHOCK ABSORBER	2	
19	95807-10055-00	BOLT, FLANGE	4	
20	95607-10200-00	NUT, U FLANGE	4	

CONTENTS

ACCELERATOR	C1
AIR SHROUD FAN	A9
BODY 1	C11
BODY 2	D1-2
BODY FITTING	D3
BRAKE 1	B9-10
BRAKE 2	B11
BRAKE 3	B12
BUMPER	C10
CAMSHAFT VALVE	A8
CARBURETOR	A11
CARRIER	D4
CRANKCASE	B1
CRANKSHAFT PISTON	A7
CYLINDER HEAD	A6
ELECTRICAL 1	D9
ELECTRICAL 2	D10-11
ENGINE ASSEMBLY	A5
ENGINE MOUNT	B2
EXHAUST	A12
FRAME	B4
FRONT SEAT	D5
FRONT SUSPENSION WHEEL	B5-6
FUEL TANK	B8
GOVERNOR	C2
INTAKE	A10
INTERMEDIATE BODY	C12
OPTIONAL HUB CAPS	D12
OPTIONAL ORNAMENTAL PLATE	E3
OPTIONAL SUN ROOF	E2
OPTIONAL WINDSHIELD	E1
PRIMARY CLUTCH	C3
REAR ARM SUSPENSION	B3
REAR AXLE MOUNT WHEEL	C8
REAR SEAT	D6
SECONDARY SHEAVE	C4
SHIFTER CABLES	C9
STARTER GENERATOR	D7-8
STEERING	B7
TRANSMISSION 1	C5-7
-MODELS IN THIS CATALOG	E4

FRAME

Ref. No.	Part Number	Description	Qty	Remarks
1	JR8-F2501-00-00	FRAME COMP.	1	
2	JN6-F254R-00-00	SUPPORT, BODY MOUNTING .	1	
3	95817-08016-00	BOLT, FLANGE	2	
4	90480-25856-00	GROMMET	1	
5	JR8-G6554-00-00	BRACKET 1	2	
6	95807-10055-00	BOLT, FLANGE	2	
7	95607-10200-00	NUT, U FLANGE	2	

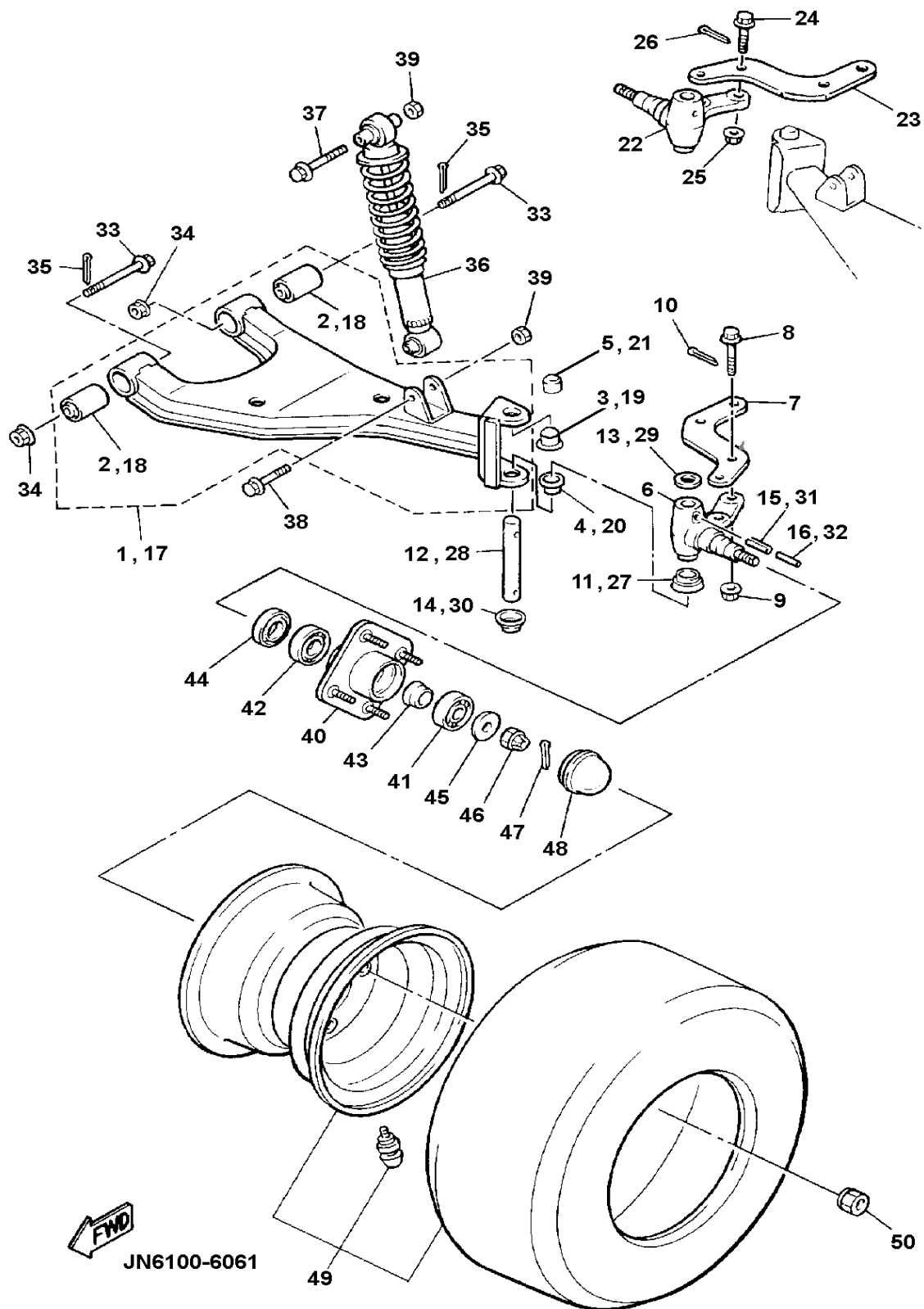


JR8100-1010

CONTENTS

ACCELERATOR	C1
AIR SHROUD FAN	A9
BODY 1	C11
BODY 2	D1-2
BODY FITTING	D3
BRAKE 1	B9-10
BRAKE 2	B11
BRAKE 3	B12
BUMPER	C10
CAMSHAFT VALVE	A8
CARBURETOR	A11
CARRIER	D4
CRANKCASE	B1
CRANKSHAFT PISTON	A7
CYLINDER HEAD	A6
ELECTRICAL 1	D9
ELECTRICAL 2	D10-11
ENGINE ASSEMBLY	A5
ENGINE MOUNT	B2
EXHAUST	A12
FRAME	B4
FRONT SEAT	D5
FRONT SUSPENSION WHEEL	B5-6
FUEL TANK	B8
GOVERNOR	C2
INTAKE	A10
INTERMEDIATE BODY	C12
OPTIONAL HUB CAPS	D12
OPTIONAL ORNAMENTAL PLATE	E3
OPTIONAL SUN ROOF	E2
OPTIONAL WINDSHIELD	E1
PRIMARY CLUTCH	C3
REAR ARM SUSPENSION	B3
REAR AXLE MOUNT WHEEL	C8
REAR SEAT	D6
SECONDARY SHEAVE	C4
SHIFTER CABLES	C9
STARTER GENERATOR	D7-8
STEERING	B7
TRANSMISSION 1	C5-7
-MODELS IN THIS CATALOG	E4

FRONT SUSPENSION WHEEL



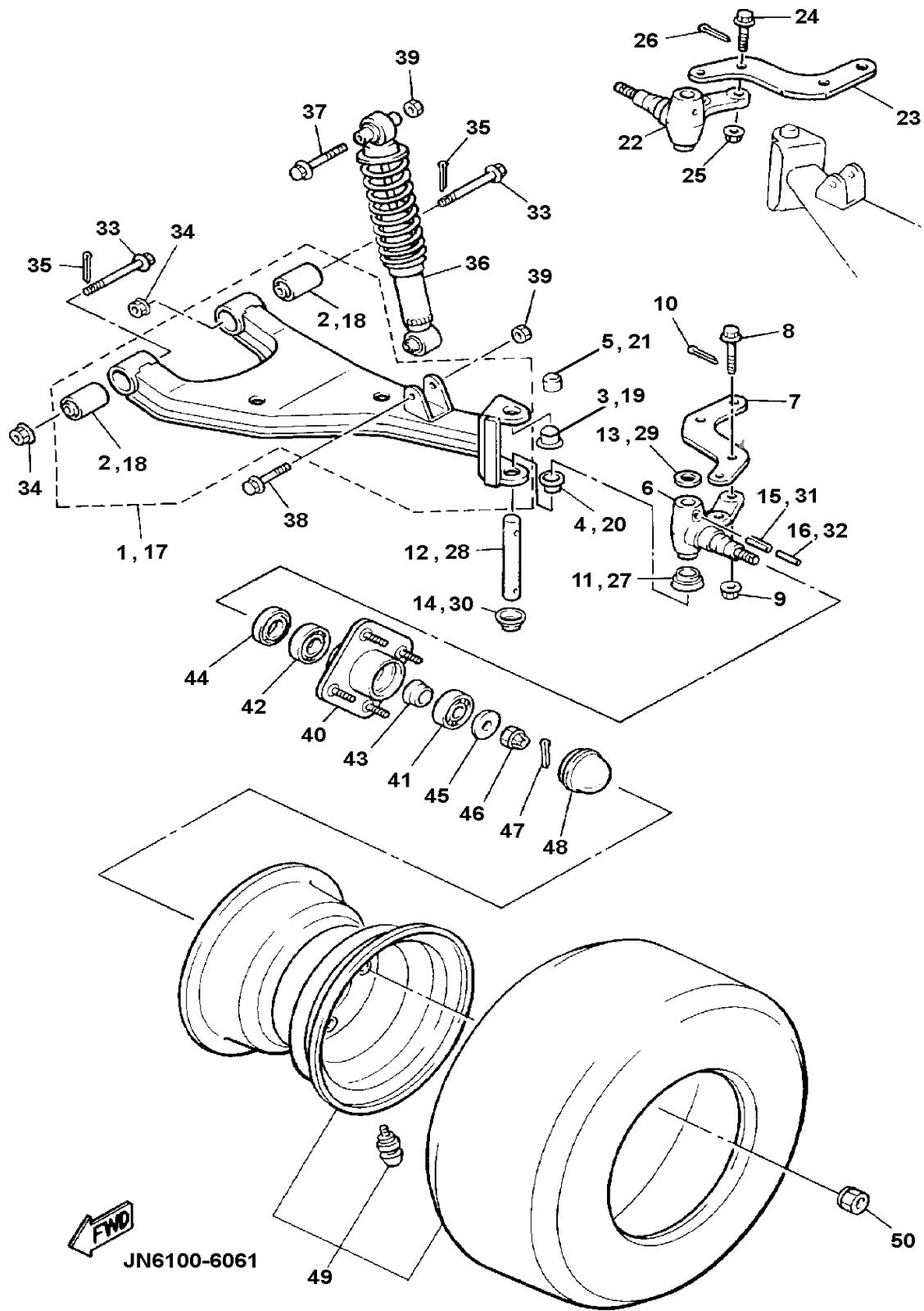
Ref. No.	Part Number	Description	Qty	Remarks
1	JN6-F3570-00-00	FRONT LOWER ARM, LEFT ..	1	
2	JN6-F3526-00-00	. BUSHING, ARM	1	
3	90384-15826-00	BUSH, BIMETAL	1	
4	90384-15825-00	BUSH, BIMETAL	1	
5	90334-19800-00	PLUG, STRAIGHT	1	
6	JN6-F3511-00-00	KNUCKLE, STEERING	1	
7	JN3-F3512-00-00	ARM, KNUCKLE	1	
8	95814-10040-00	BOLT, FLANGE	2	
9	95617-10200-00	NUT, SELF-LOCKING	2	
10	91490-25020-00	PIN, COTTER	2	
11	J38-23527-00-00	SEAL, DUST	1	
12	J38-23516-00-00	PIN, STEERING KNUCKLE ...	1	
13	90201-156J2-00	WASHER, PLAIN	1	
14	J38-23528-00-00	SEAL, DUST	1	
15	91609-60028-00	PIN, SPRING	1	
16	91609-35028-00	PIN, SPRING	1	
17	JN6-F3580-00-00	FRONT LOWER ARM, RIGHT .	1	
18	JN6-F3526-00-00	. BUSHING, ARM	1	
19	90384-15826-00	BUSH, BIMETAL	1	
20	90384-15825-00	BUSH, BIMETAL	1	
21	90334-19800-00	PLUG, STRAIGHT	1	
22	JN6-F3521-00-00	KNUCKLE, STEERING	1	
23	JN3-F3512-00-00	ARM, KNUCKLE	1	
24	95814-10040-00	BOLT, FLANGE	2	
25	95607-10200-00	NUT, U FLANGE	2	
26	91490-25020-00	PIN, COTTER	2	
27	J38-23527-00-00	SEAL, DUST	1	
28	J38-23516-00-00	PIN, STEERING KNUCKLE ...	1	
29	90201-156J2-00	WASHER, PLAIN	1	
30	J38-23528-00-00	SEAL, DUST	1	

CONTENTS

ACCELERATOR	C1
AIR SHROUD FAN	A9
BODY 1	C11
BODY 2	D1-2
BODY FITTING	D3
BRAKE 1	B9-10
BRAKE 2	B11
BRAKE 3	B12
BUMPER	C10
CAMSHAFT VALVE	A8
CARBURETOR	A11
CARRIER	D4
CRANKCASE	B1
CRANKSHAFT PISTON	A7
CYLINDER HEAD	A6
ELECTRICAL 1	D9
ELECTRICAL 2	D10-11
ENGINE ASSEMBLY	A5
ENGINE MOUNT	B2
EXHAUST	A12
FRAME	B4
FRONT SEAT	D5
FRONT SUSPENSION WHEEL	B5-6
FUEL TANK	B8
GOVERNOR	C2
INTAKE	A10
INTERMEDIATE BODY	C12
OPTIONAL HUB CAPS	D12
OPTIONAL ORNAMENTAL PLATE	E3
OPTIONAL SUN ROOF	E2
OPTIONAL WINDSHIELD	E1
PRIMARY CLUTCH	C3
REAR ARM SUSPENSION	B3
REAR AXLE MOUNT WHEEL	C8
REAR SEAT	D6
SECONDARY SHEAVE	C4
SHIFTER CABLES	C9
STARTER GENERATOR	D7-8
STEERING	B7
TRANSMISSION 1	C5-7
-MODELS IN THIS CATALOG	E4

CONTINUED ON NEXT FRAME ►

FRONT SUSPENSION WHEEL

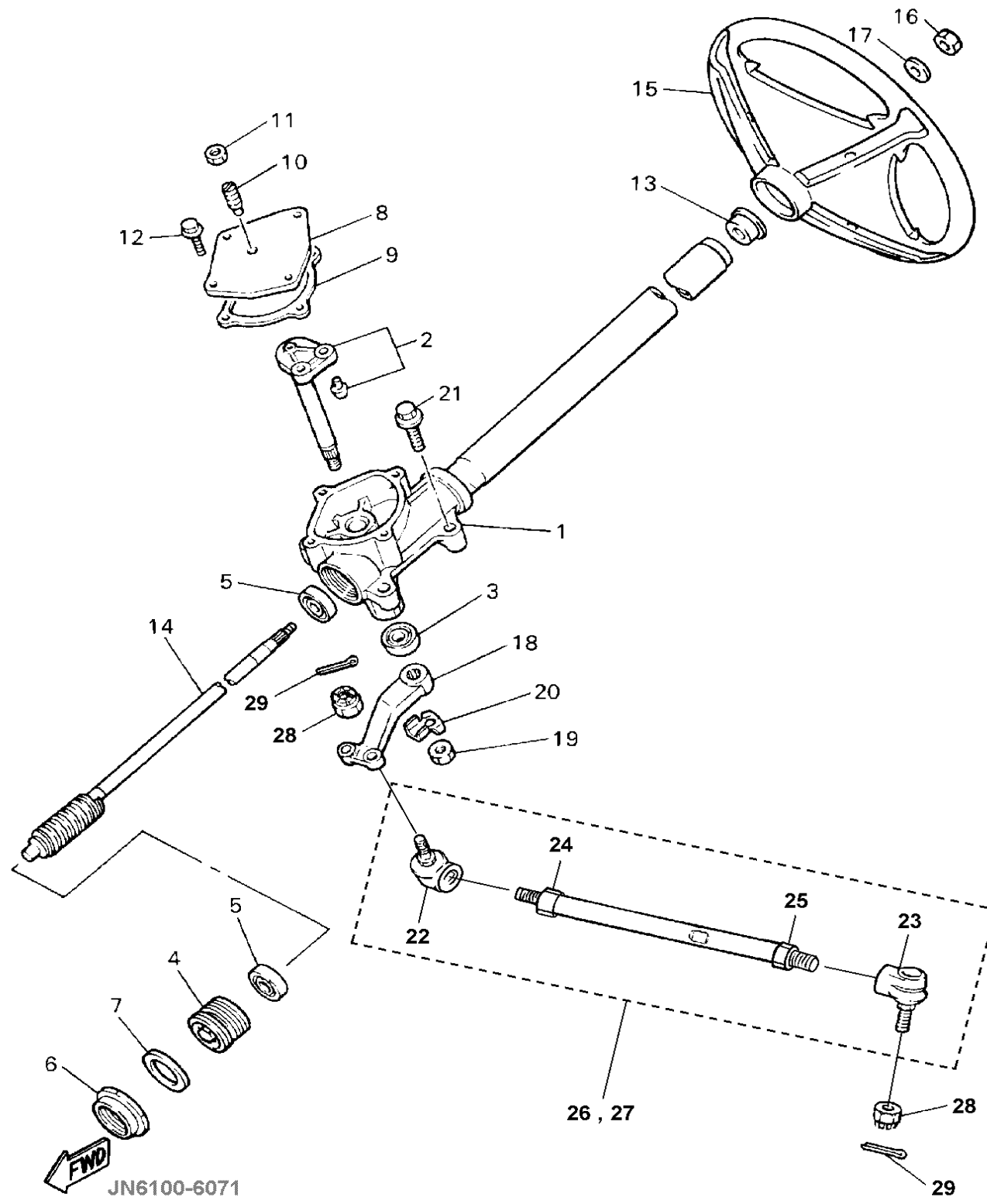


Ref. No.	Part Number	Description	Qty	Remarks
31	91609-60028-00	PIN, SPRING	1	
32	91609-35028-00	PIN, SPRING	1	
33	95817-10075-00	BOLT, FLANGE	1	
34	95607-10200-00	NUT, U FLANGE	4	
35	91490-25020-00	PIN, COTTER	4	
36	JJ3-F3350-00-00	SHOCK ABSORBER ASSEMBLY	2	
37	95817-10065-00	BOLT, FLANGE	2	
38	95817-10055-00	BOLT, FLANGE	2	
39	95607-10200-00	NUT, U FLANGE	2	
40	JG5-WF511-00-00	HUB	2	
41	93306-204X0-00	BEARING	2	
42	93306-005Y3-00	BEARING	2	
43	90387-241M7-00	COLLAR	2	
44	93102-30083-00	OIL SEAL	2	
45	90209-32271-00	WASHER	2	
46	95607-14100-00	NUT, U	2	
47	91490-25020-00	PIN, COTTER	2	
48	JN6-F5118-00-00	COVER, HUB DUST	2	
49	JN6-F5100-11-00	FRONT WHEEL ASSY, IVORY	2	
50	90179-12262-00	NUT	2	

CONTENTS

ACCELERATOR	C1
AIR SHROUD FAN	A9
BODY 1	C11
BODY 2	D1-2
BODY FITTING	D3
BRAKE 1	B9-10
BRAKE 2	B11
BRAKE 3	B12
BUMPER	C10
CAMSHAFT VALVE	A8
CARBURETOR	A11
CARRIER	D4
CRANKCASE	B1
CRANKSHAFT PISTON	A7
CYLINDER HEAD	A6
ELECTRICAL 1	D9
ELECTRICAL 2	D10-11
ENGINE ASSEMBLY	A5
ENGINE MOUNT	B2
EXHAUST	A12
FRAME	B4
FRONT SEAT	D5
FRONT SUSPENSION WHEEL	B5-6
FUEL TANK	B8
GOVERNOR	C2
INTAKE	A10
INTERMEDIATE BODY	C12
OPTIONAL HUB CAPS	D12
OPTIONAL ORNAMENTAL PLATE	E3
OPTIONAL SUN ROOF	E2
OPTIONAL WINDSHIELD	E1
PRIMARY CLUTCH	C3
REAR ARM SUSPENSION	B3
REAR AXLE MOUNT WHEEL	C8
REAR SEAT	D6
SECONDARY SHEAVE	C4
SHIFTER CABLES	C9
STARTER GENERATOR	D7-8
STEERING	B7
TRANSMISSION 1	C5-7
-MODELS IN THIS CATALOG	E4

STEERING



Ref. No.	Part Number	Description	Qty	Remarks
1	JG5-F3811-00-00	COLUMN, STEERING	1	
2	J38-23816-00-00	ARM, PITMAN	1	
3	93102-22314-00	SEAL, OIL	1	
4	J55-F3876-00-00	BOLT	1	
5	93332-000Y2-00	BEARING	2	
6	J10-23877-00-00	NUT	1	
7	J10-23444-00-00	WASHER	1	
8	JN3-F3818-00-00	COVER, STEERING	1	
9	J38-23462-01-00	SEAL, STEERING	1	
10	J10-23459-00-00	BOLT	1	
11	90170-08024-00	NUT, HEX	1	
12	95817-06020-00	BOLT, FLANGE	4	
13	JN3-F3814-00-00	HOLDER, HANDLE	1	
14	J10-23840-00-00	STEERING SHAFT ASSEMBLY	1	
15	JN3-F3838-00-00	WHEEL, STEERING	1	
16	95617-12100-00	NUT, SELF-LOCKING	1	
17	92907-12200-00	WASHER, PLAIN	1	
18	J38-23826-01-00	ARM, IDLER	1	
19	95707-16300-00	NUT, NYLON	1	
20	90215-16252-00	WASHER, TONGUE	1	
21	95817-10050-00	BOLT, FLANGE	1	
22	JN6-F3841-00-00	UNIVERSAL, JOINT (RH THREAD)	2	
23	JN6-F3845-00-00	UNIVERSAL, JOINT (LH THREAD)	2	
24	9530N-10600-00	NUT	2	RH THREAD
25	90170-10414-00	NUT	2	LH THREAD
26	JN6-F3850-11-00	TIE ROD ASSEMBLY, RIGHT ..	1	
27	JN6-F3830-11-00	TIE ROD ASSEMBLY, LEFT ...	1	
28	95607-10200-00	NUT, U FLANGE	4	
29	91490-25020-00	PIN, COTTER	4	

CONTENTS

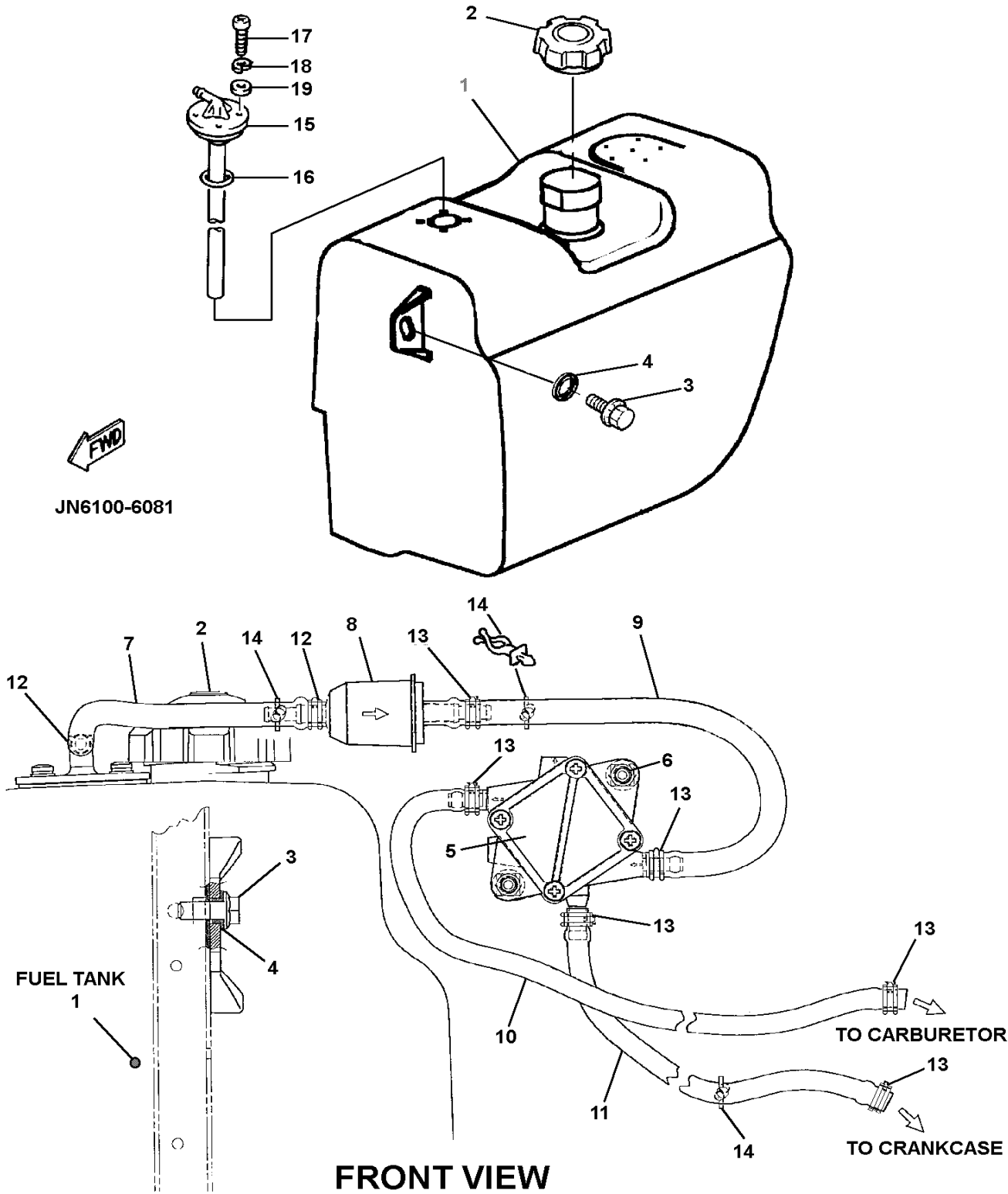
ACCELERATOR	C1
AIR SHROUD FAN	A9
BODY 1	C11
BODY 2	D1-2
BODY FITTING	D3
BRAKE 1	B9-10
BRAKE 2	B11
BRAKE 3	B12
BUMPER	C10
CAMSHAFT VALVE	A8
CARBURETOR	A11
CARRIER	D4
CRANKCASE	B1
CRANKSHAFT PISTON	A7
CYLINDER HEAD	A6
ELECTRICAL 1	D9
ELECTRICAL 2	D10-11
ENGINE ASSEMBLY	A5
ENGINE MOUNT	B2
EXHAUST	A12
FRAME	B4
FRONT SEAT	D5
FRONT SUSPENSION WHEEL	B5-6
FUEL TANK	B8
GOVERNOR	C2
INTAKE	A10
INTERMEDIATE BODY	C12
OPTIONAL HUB CAPS	D12
OPTIONAL ORNAMENTAL PLATE	E3
OPTIONAL SUN ROOF	E2
OPTIONAL WINDSHIELD	E1
PRIMARY CLUTCH	C3
REAR ARM SUSPENSION	B3
REAR AXLE MOUNT WHEEL	C8
REAR SEAT	D6
SECONDARY SHEAVE	C4
SHIFTER CABLES	C9
STARTER GENERATOR	D7-8
STEERING	B7
TRANSMISSION 1	C5-7
-MODELS IN THIS CATALOG	E4

FUEL TANK

Ref. No.	Part Number	Description	Qty	Remarks
1	JN6-F4110-01-00	FUEL TANK COMP	1	
2	JN6-F4610-00-00	CAP ASSY	1	
3	95817-08020-00	BOLT, FLANGE	2	
4	90560-08066-00	SPACER	2	
5	JN6-F4410-00-00	FUEL PUMP ASSY	1	
6	95817-06016-00	BOLT, FLANGE	2	
7	JN6-F4312-00-00	PIPE, 2	1	
8	JN6-F4560-00-00	FILTER, ASSY	1	
9	JN6-F4311-00-00	PIPE, FUEL	1	
10	JN6-F4313-00-00	PIPE, 3	1	
11	JN6-F4314-00-00	PIPE, 4	1	
12	90467-12845-00	CLIP	2	RED
13	90467-10846-00	CLIP	6	GREEN
14	90464-11816-00	CLAMP	3	
15	JN3-F4300-02-00	. FUEL PIPE JOINT	1	INCL. WITH FUEL TANK COMP
16	93210-228C4-00	. O-RING	1	INCL. WITH FUEL TANK COMP
17	98507-05014-00	. SCREW, PAN HEAD	4	INCL. WITH FUEL TANK COMP
18	92907-05100-00	. WASHER, SPRING	4	INCL. WITH FUEL TANK COMP
19	92907-05600-00	. WASHER, PLATE	4	INCL. WITH FUEL TANK COMP

CONTENTS

ACCELERATOR	C1
AIR SHROUD FAN	A9
BODY 1	C11
BODY 2	D1-2
BODY FITTING	D3
BRAKE 1	B9-10
BRAKE 2	B11
BRAKE 3	B12
BUMPER	C10
CAMSHAFT VALVE	A8
CARBURETOR	A11
CARRIER	D4
CRANKCASE	B1
CRANKSHAFT PISTON	A7
CYLINDER HEAD	A6
ELECTRICAL 1	D9
ELECTRICAL 2	D10-11
ENGINE ASSEMBLY	A5
ENGINE MOUNT	B2
EXHAUST	A12
FRAME	B4
FRONT SEAT	D5
FRONT SUSPENSION WHEEL	B5-6
FUEL TANK	B8
GOVERNOR	C2
INTAKE	A10
INTERMEDIATE BODY	C12
OPTIONAL HUB CAPS	D12
OPTIONAL ORNAMENTAL PLATE	E3
OPTIONAL SUN ROOF	E2
OPTIONAL WINDSHIELD	E1
PRIMARY CLUTCH	C3
REAR ARM SUSPENSION	B3
REAR AXLE MOUNT WHEEL	C8
REAR SEAT	D6
SECONDARY SHEAVE	C4
SHIFTER CABLES	C9
STARTER GENERATOR	D7-8
STEERING	B7
TRANSMISSION 1	C5-7
~MODELS IN THIS CATALOG	E4



JN6100-6081

FUEL TANK
1

FRONT VIEW

TO CARBURETOR

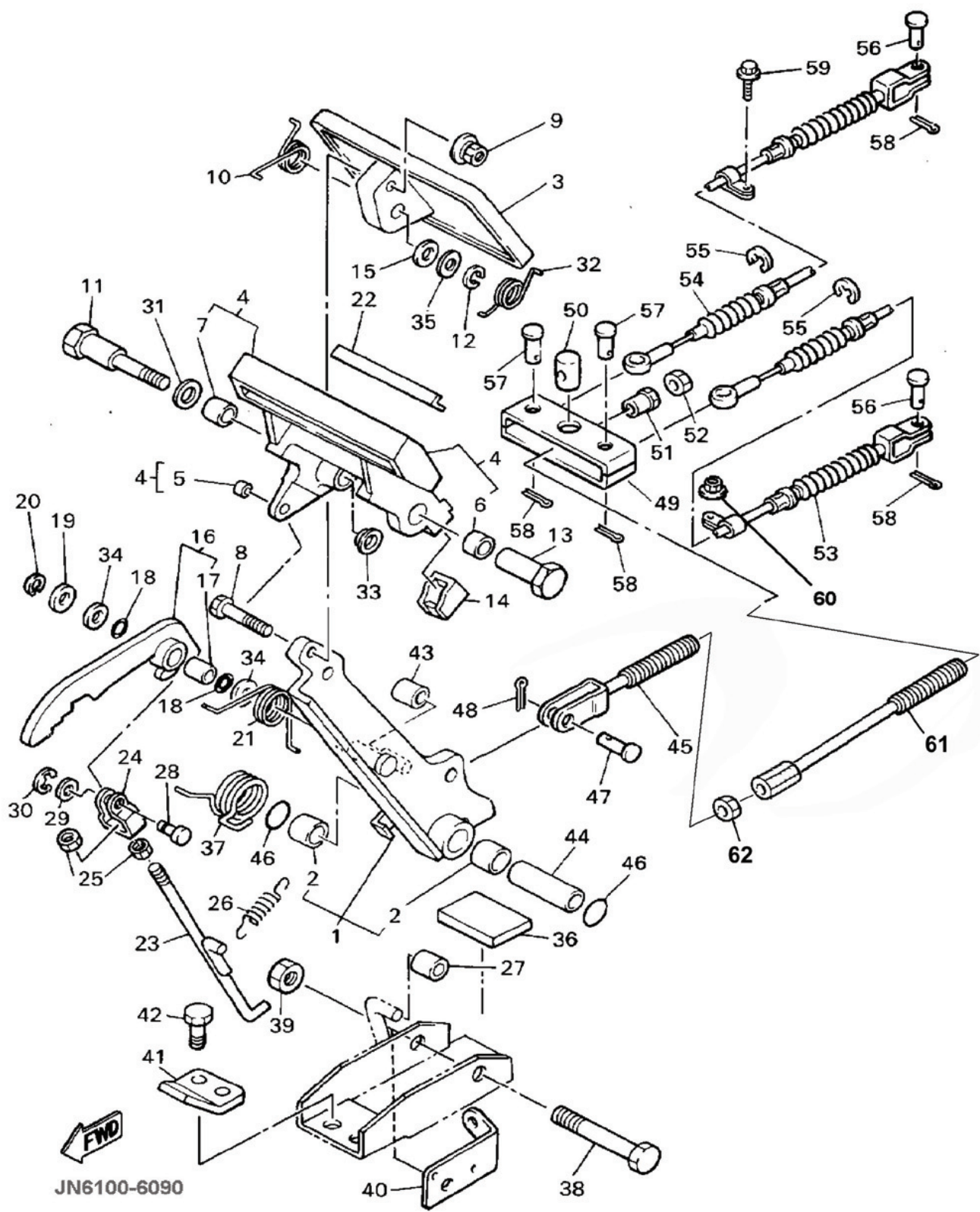
TO CRANKCASE

BRAKE 1

Ref. No.	Part Number	Description	Qty	Remarks
1	J46-27250-03-00	BRAKE ARM COMP.	1	
2	90384-14080-00	. BUSH, BIMETAL	2	
3	J10-27211-00-00	PEDAL, BRAKE	1	
4	J17-25670-01-00	PARKING BRAKE COMP.	1	
5	90384-05163-00	. BUSH, BIMETAL	1	
6	90384-12164-00	. BUSH, BIMETAL	1	
7	90380-12051-00	. BUSH, SOLID	1	
8	90101-06555-00	BOLT, HEX	1	
9	90179-06387-00	NUT	1	
10	90508-23542-00	SPRING, TORSION	1	
11	90109-08669-00	BOLT	1	
12	92907-08100-00	WASHER, SPRING	1	
13	90179-08378-00	NUT	1	
14	J17-25679-01-00	DAMPER	2	
15	92907-08200-00	WASHER, PLAIN	1	
16	J17-W2561-02-00	SECTOR, PARKING BRAKE ..	1	
17	90384-10162-00	. BUSH, BIMETAL	1	
18	J17-27221-00-00	SEAL, SHAFT	2	
19	92907-10600-00	WASHER, PLATE	1	
20	99080-07600-00	CIRCLIP (E)	1	
21	90508-14548-00	SPRING, TORSION	1	
22	J17-25672-01-00	PAD, PARKING	1	
23	J17-27231-03-00	ROD, BRAKE	1	
24	J17-27232-00-00	END, ROD	1	
25	95317-06700-00	NUT, HEX	2	
26	90506-08526-00	SPRING, TENSION	1	
27	J17-25673-00-00	DAMPER, BRAKE	1	
28	J17-27228-00-00	PIN, LINK JOINT	1	
29	92907-05600-00	WASHER, PLATE	1	
30	99080-04600-00	CIRCLIP (E)	1	

CONTENTS

ACCELERATOR	C1
AIR SHROUD FAN	A9
BODY 1	C11
BODY 2	D1-2
BODY FITTING	D3
BRAKE 1	B9-10
BRAKE 2	B11
BRAKE 3	B12
BUMPER	C10
CAMSHAFT VALVE	A8
CARBURETOR	A11
CARRIER	D4
CRANKCASE	B1
CRANKSHAFT PISTON	A7
CYLINDER HEAD	A6
ELECTRICAL 1	D9
ELECTRICAL 2	D10-11
ENGINE ASSEMBLY	A5
ENGINE MOUNT	B2
EXHAUST	A12
FRAME	B4
FRONT SEAT	D5
FRONT SUSPENSION WHEEL	B5-6
FUEL TANK	B8
GOVERNOR	C2
INTAKE	A10
INTERMEDIATE BODY	C12
OPTIONAL HUB CAPS	D12
OPTIONAL ORNAMENTAL PLATE	E3
OPTIONAL SUN ROOF	E2
OPTIONAL WINDSHIELD	E1
PRIMARY CLUTCH	C3
REAR ARM SUSPENSION	B3
REAR AXLE MOUNT WHEEL	C8
REAR SEAT	D6
SECONDARY SHEAVE	C4
SHIFTER CABLES	C9
STARTER GENERATOR	D7-8
STEERING	B7
TRANSMISSION 1	C5-7
-MODELS IN THIS CATALOG	E4



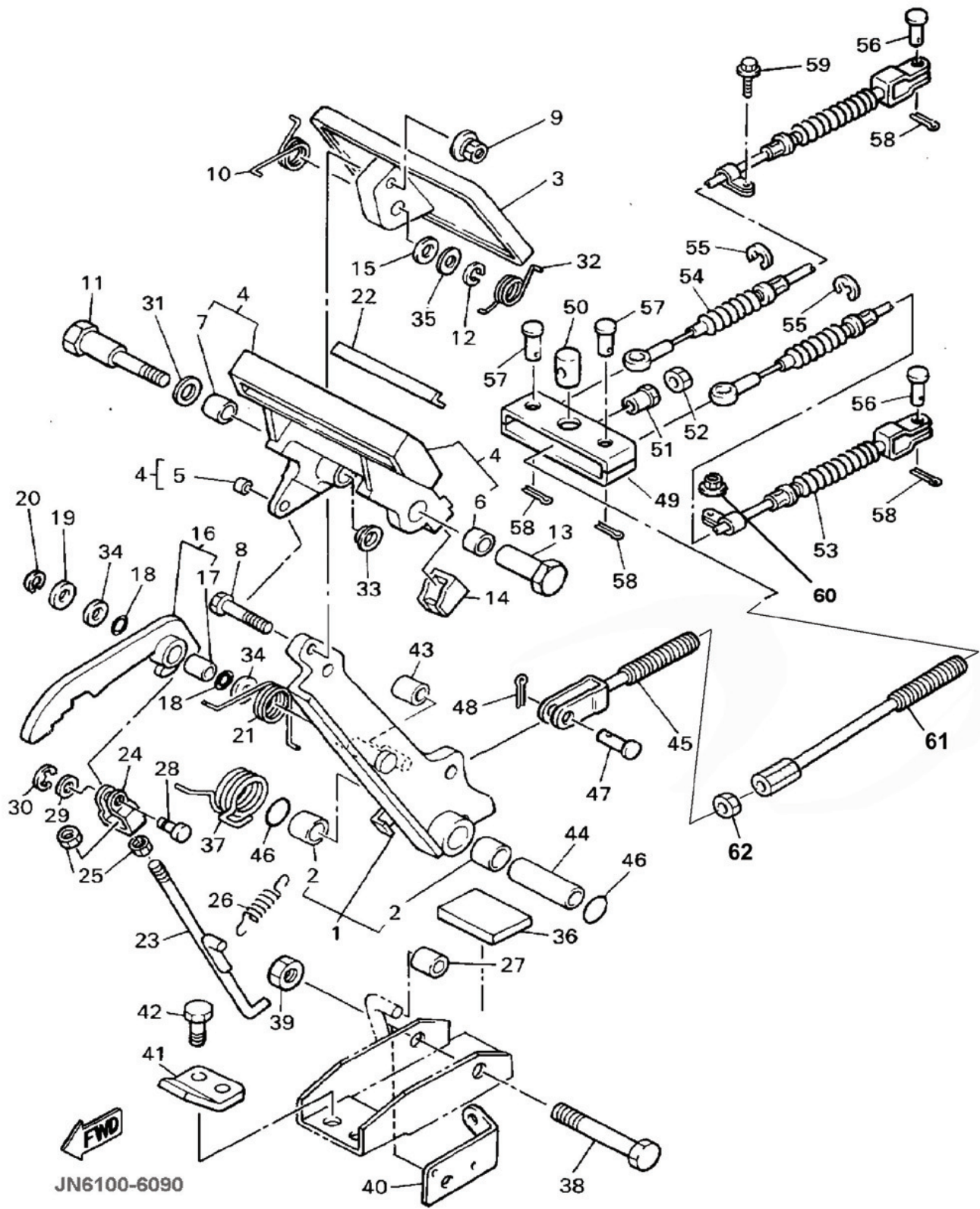
CONTINUED ON NEXT FRAME ►

BRAKE 1

Ref. No.	Part Number	Description	Qty	Remarks
31	90201-123F2-00	WASHER, PLAIN	1	
32	90508-26557-00	SPRING, TORSION	1	
33	90380-12105-00	BUSH, SOLID	1	
34	90201-104G8-00	WASHER, PLAIN	1	
35	J55-27226-00-00	WASHER, LINK	1	
36	JN3-F7245-00-00	PAD, BRAKE PEDAL	1	
37	90508-405A9-00	SPRING, TORSION	1	
38	90101-10447-00	BOLT, HEX	1	
39	95617-10200-00	NUT, SELF-LOCKING	1	
40	J55-2252M-00-00	BRACKET	1	
41	J17-27246-00-00	NAIL, BRAKE	1	
42	95817-08020-00	BOLT, FLANGE	2	
43	J17-25673-00-00	DAMPER, BRAKE	1	
44	90387-107F8-00	COLLAR	1	
45	JN6-F5685-00-00	ROD	1	
46	93210-132A8-00	O-RING	2	
47	91701-10022-00	PIN	1	
48	91490-30020-00	PIN, COTTER	1	
49	JN6-F5681-00-00	EQUALIZER, BRAKE	1	
50	90249-14129-00	PIN	1	
51	90179-08885-00	NUT, FLANGE LOCK	1	
52	95317-08700-00	NUT, HEX	1	
53	JN6-F6341-00-00	WIRE, BRAKE 1	1	
54	JF2-F6351-10-00	WIRE, BRAKE	2	
55	99001-09600-00	CIRCLIP	4	
56	91701-08018-00	PIN	2	
57	91701-08026-00	PIN	2	
58	91490-25020-00	PIN, COTTER	4	
59	95817-06016-00	BOLT, FLANGE	2	
60	95617-08200-00	NUT, U-FLANGE (95607-08200-00)	1	
61	JR8-F5685-00-00	ROD	1	BRAKE ROD EXTENSION 34" LONG
62	90179-08885-00	NUT	1	

CONTENTS

ACCELERATOR	C1
AIR SHROUD FAN	A9
BODY 1	C11
BODY 2	D1-2
BODY FITTING	D3
BRAKE 1	B9-10
BRAKE 2	B11
BRAKE 3	B12
BUMPER	C10
CAMSHAFT VALVE	A8
CARBURETOR	A11
CARRIER	D4
CRANKCASE	B1
CRANKSHAFT PISTON	A7
CYLINDER HEAD	A6
ELECTRICAL 1	D9
ELECTRICAL 2	D10-11
ENGINE ASSEMBLY	A5
ENGINE MOUNT	B2
EXHAUST	A12
FRAME	B4
FRONT SEAT	D5
FRONT SUSPENSION WHEEL	B5-6
FUEL TANK	B8
GOVERNOR	C2
INTAKE	A10
INTERMEDIATE BODY	C12
OPTIONAL HUB CAPS	D12
OPTIONAL ORNAMENTAL PLATE	E3
OPTIONAL SUN ROOF	E2
OPTIONAL WINDSHIELD	E1
PRIMARY CLUTCH	C3
REAR ARM SUSPENSION	B3
REAR AXLE MOUNT WHEEL	C8
REAR SEAT	D6
SECONDARY SHEAVE	C4
SHIFTER CABLES	C9
STARTER GENERATOR	D7-8
STEERING	B7
TRANSMISSION 1	C5-7
-MODELS IN THIS CATALOG	E4

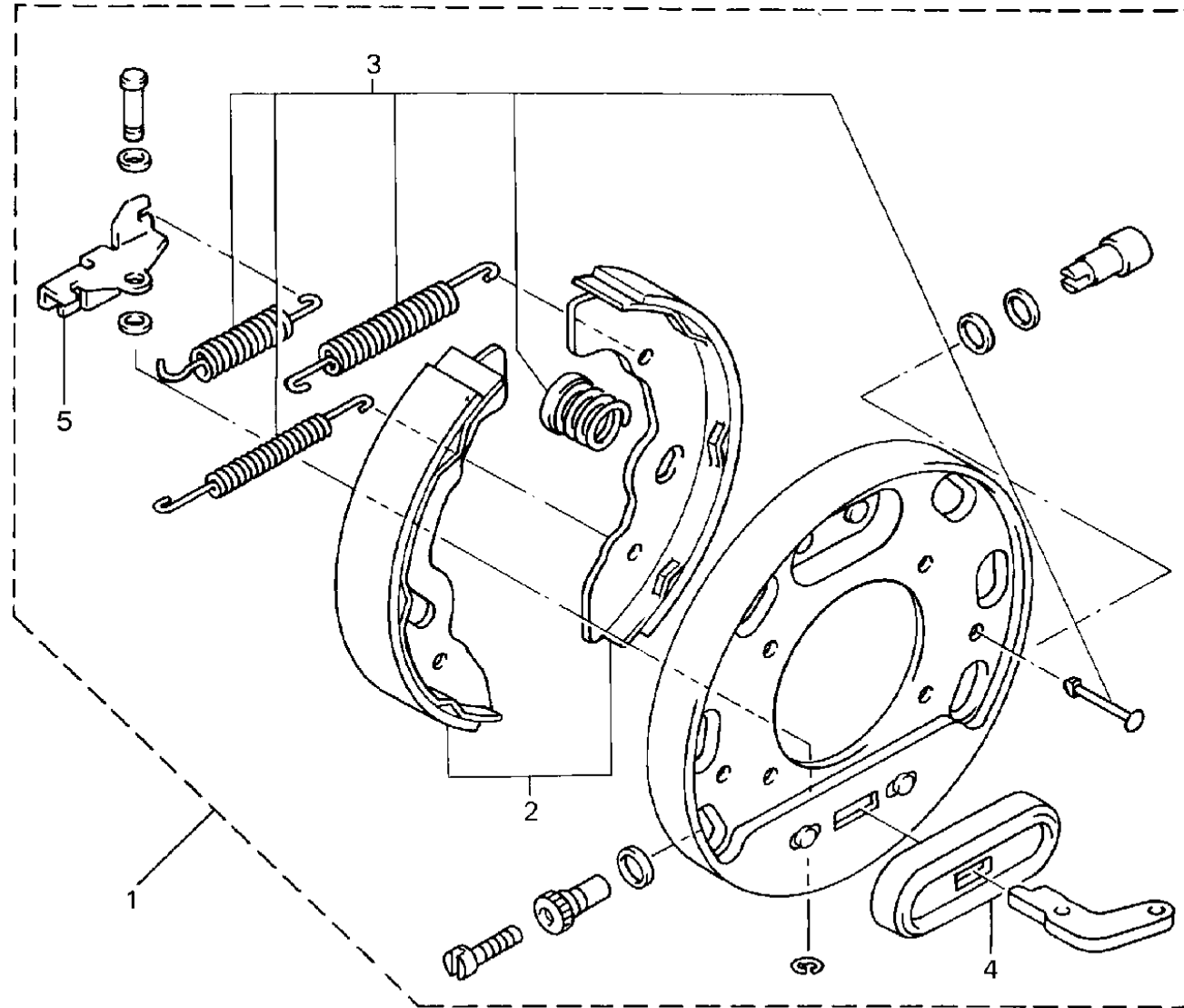


BRAKE 2

Ref. No.	Part Number	Description	Qty	Remarks
1	JN6-F7280-03-00	BACKING PLATE, (RH)	1	FOR RIGHT WHEEL ONLY
2	JN6-F5331-01-00	. SHOE, BRAKE SET	1	FOR ONE WHEEL
3	JG5-F819G-00-00	. REPAIR PARTS KIT	1	
4	JG5-F7286-00-00	. COVER, DUST	1	
5	JN6-F722F-00-00	. LEVER, ADJUSTER (RH)	1	

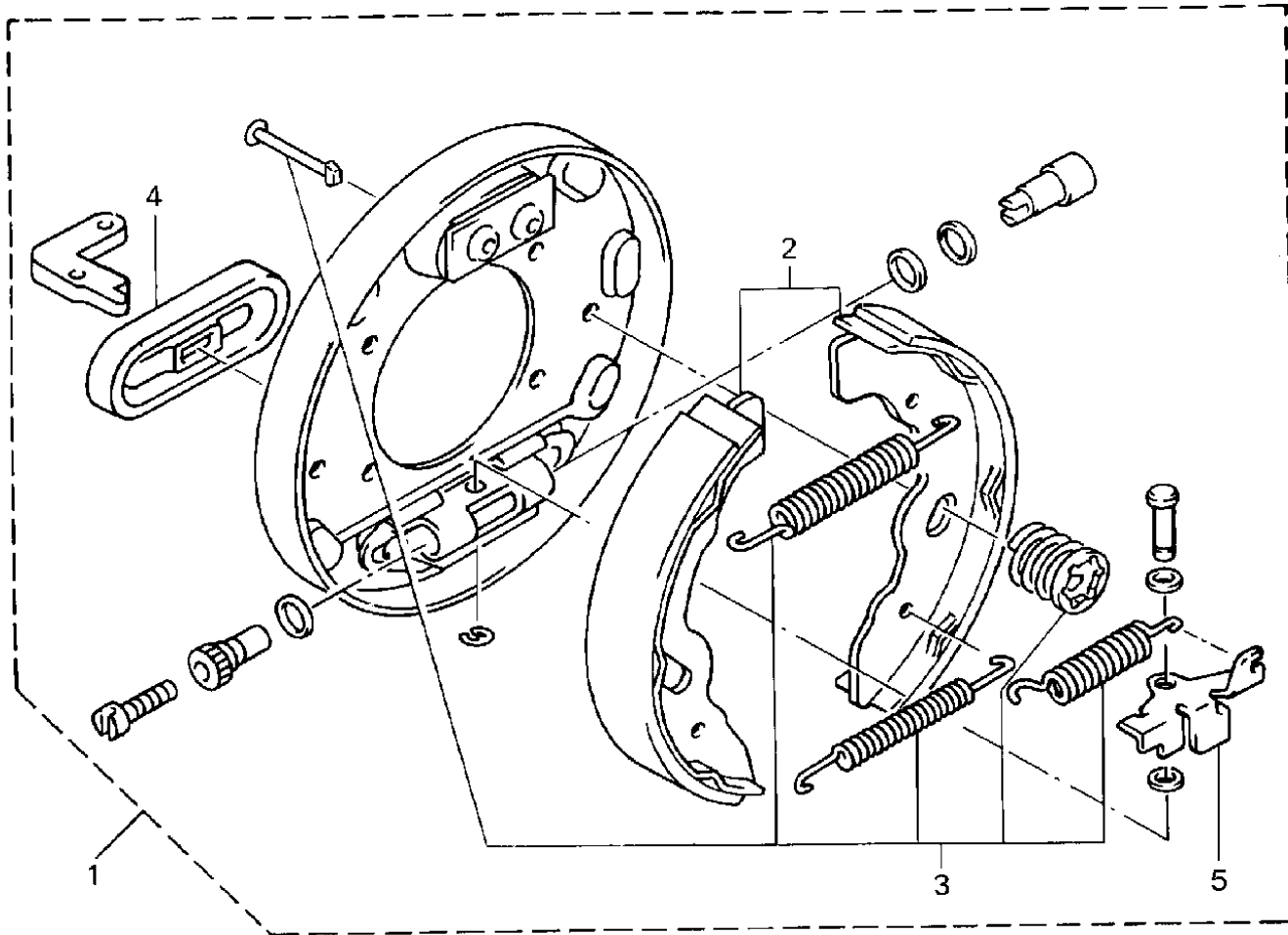
CONTENTS

ACCELERATOR	C1
AIR SHROUD FAN	A9
BODY 1	C11
BODY 2	D1-2
BODY FITTING	D3
BRAKE 1	B9-10
BRAKE 2	B11
BRAKE 3	B12
BUMPER	C10
CAMSHAFT VALVE	A8
CARBURETOR	A11
CARRIER	D4
CRANKCASE	B1
CRANKSHAFT PISTON	A7
CYLINDER HEAD	A6
ELECTRICAL 1	D9
ELECTRICAL 2	D10-11
ENGINE ASSEMBLY	A5
ENGINE MOUNT	B2
EXHAUST	A12
FRAME	B4
FRONT SEAT	D5
FRONT SUSPENSION WHEEL	B5-6
FUEL TANK	B8
GOVERNOR	C2
INTAKE	A10
INTERMEDIATE BODY	C12
OPTIONAL HUB CAPS	D12
OPTIONAL ORNAMENTAL PLATE	E3
OPTIONAL SUN ROOF	E2
OPTIONAL WINDSHIELD	E1
PRIMARY CLUTCH	C3
REAR ARM SUSPENSION	B3
REAR AXLE MOUNT WHEEL	C8
REAR SEAT	D6
SECONDARY SHEAVE	C4
SHIFTER CABLES	C9
STARTER GENERATOR	D7-8
STEERING	B7
TRANSMISSION 1	C5-7
-MODELS IN THIS CATALOG	E4



JN4100-5061

BRAKE 3



Ref. No.	Part Number	Description	Qty	Remarks
1	JN6-F7290-03-00	BACKING PLATE, LEFT	1	FOR LEFT WHEEL ONLY
2	JN6-F5331-01-00	. SHOE, BRAKE SET	1	FOR ONE WHEEL
3	JG5-F819G-00-00	. REPAIR PARTS KIT	1	
4	JG5-F7286-00-00	. COVER, DUST	1	
5	JN6-F722E-00-00	. LEVER ADJUSTER (LH)	1	

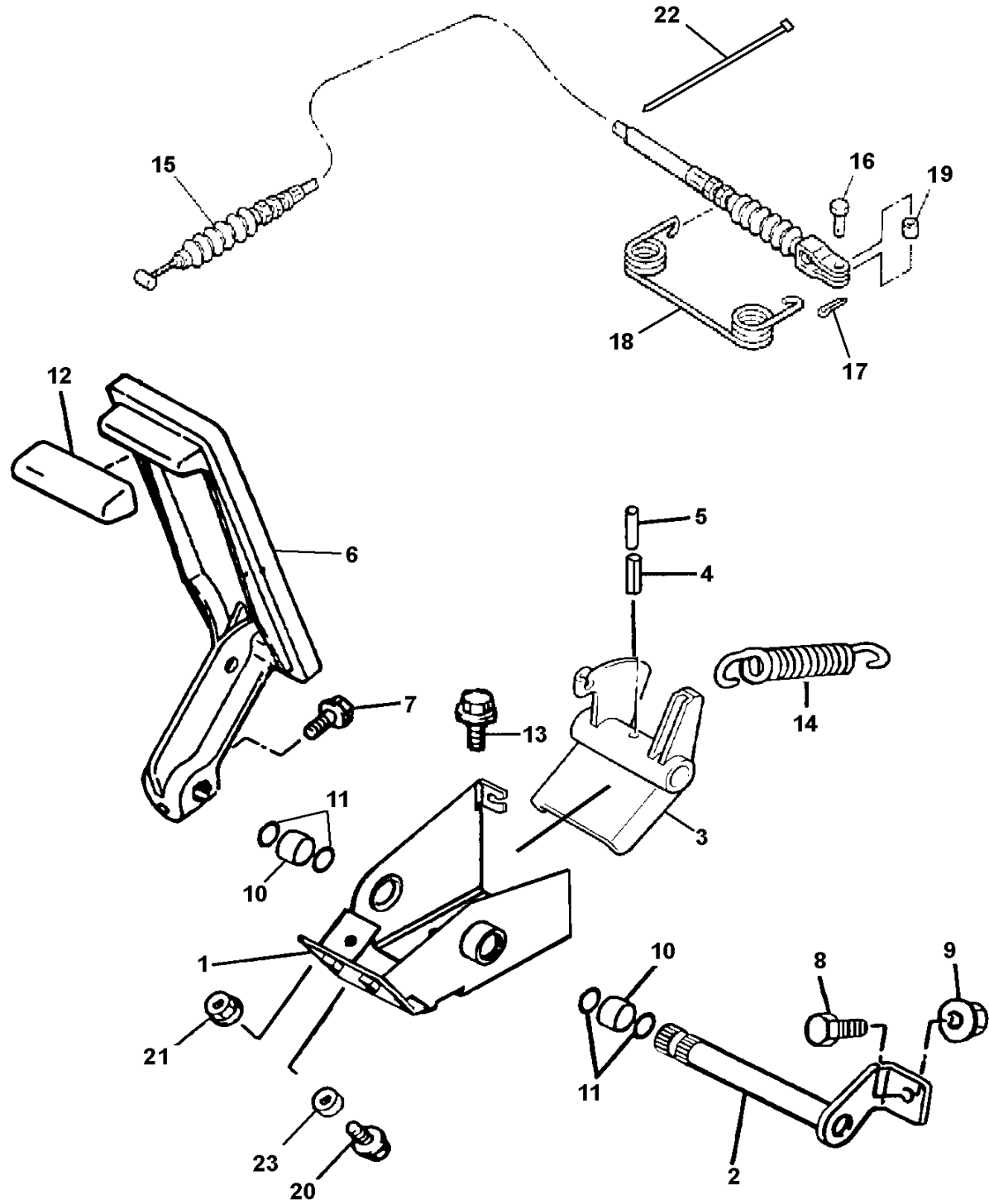
CONTENTS

ACCELERATOR	C1
AIR SHROUD FAN	A9
BODY 1	C11
BODY 2	D1-2
BODY FITTING	D3
BRAKE 1	B9-10
BRAKE 2	B11
BRAKE 3	B12
BUMPER	C10
CAMSHAFT VALVE	A8
CARBURETOR	A11
CARRIER	D4
CRANKCASE	B1
CRANKSHAFT PISTON	A7
CYLINDER HEAD	A6
ELECTRICAL 1	D9
ELECTRICAL 2	D10-11
ENGINE ASSEMBLY	A5
ENGINE MOUNT	B2
EXHAUST	A12
FRAME	B4
FRONT SEAT	D5
FRONT SUSPENSION WHEEL	B5-6
FUEL TANK	B8
GOVERNOR	C2
INTAKE	A10
INTERMEDIATE BODY	C12
OPTIONAL HUB CAPS	D12
OPTIONAL ORNAMENTAL PLATE	E3
OPTIONAL SUN ROOF	E2
OPTIONAL WINDSHIELD	E1
PRIMARY CLUTCH	C3
REAR ARM SUSPENSION	B3
REAR AXLE MOUNT WHEEL	C8
REAR SEAT	D6
SECONDARY SHEAVE	C4
SHIFTER CABLES	C9
STARTER GENERATOR	D7-8
STEERING	B7
TRANSMISSION 1	C5-7
-MODELS IN THIS CATALOG	E4



JN4100-5071

ACCELERATOR



Ref. No.	Part Number	Description	Qty	Remarks
1	JN6-F7874-01-00	BRACKET, PEDAL	1	
2	J17-27853-01-00	SHAFT, PEDAL	1	
3	J38-27872-00-00	ARM, ACCELERATOR	1	
4	91609-60028-00	PIN, SPRING	1	
5	91609-35028-00	PIN, SPRING	1	
6	JF3-27871-00-00	PEDAL, ACCELERATOR	1	
7	95817-06025-00	BOLT, FLANGE	1	
8	90106-08040-00	BOLT, RD. HEX	1	
9	95707-08500-00	NUT, FLANGE	1	
10	90384-14080-00	BUSH, BIMETAL	2	
11	93210-14104-00	O-RING	4	
12	JN3-F7854-00-00	COVER, PEDAL	1	
13	95817-08016-00	BOLT, FLANGE	3	
14	90506-26282-00	SPRING, TENSION	1	
15	JR8-F6311-00-00	WIRE, THROTTLE	1	
16	91790-05012-00	PIN	1	
17	90468-10050-00	CLIP	1	
18	90508-16460-00	SPRING, TORSION	1	
19	90560-05001-00	SPACER	1	
20	95817-06025-00	BOLT, FLANGE	1	
21	95707-06500-00	NUT, FLANGE	1	
22	90601-200U1-00	BAND	1	
23	90387-068T4-00	COLLAR	1	

CONTENTS

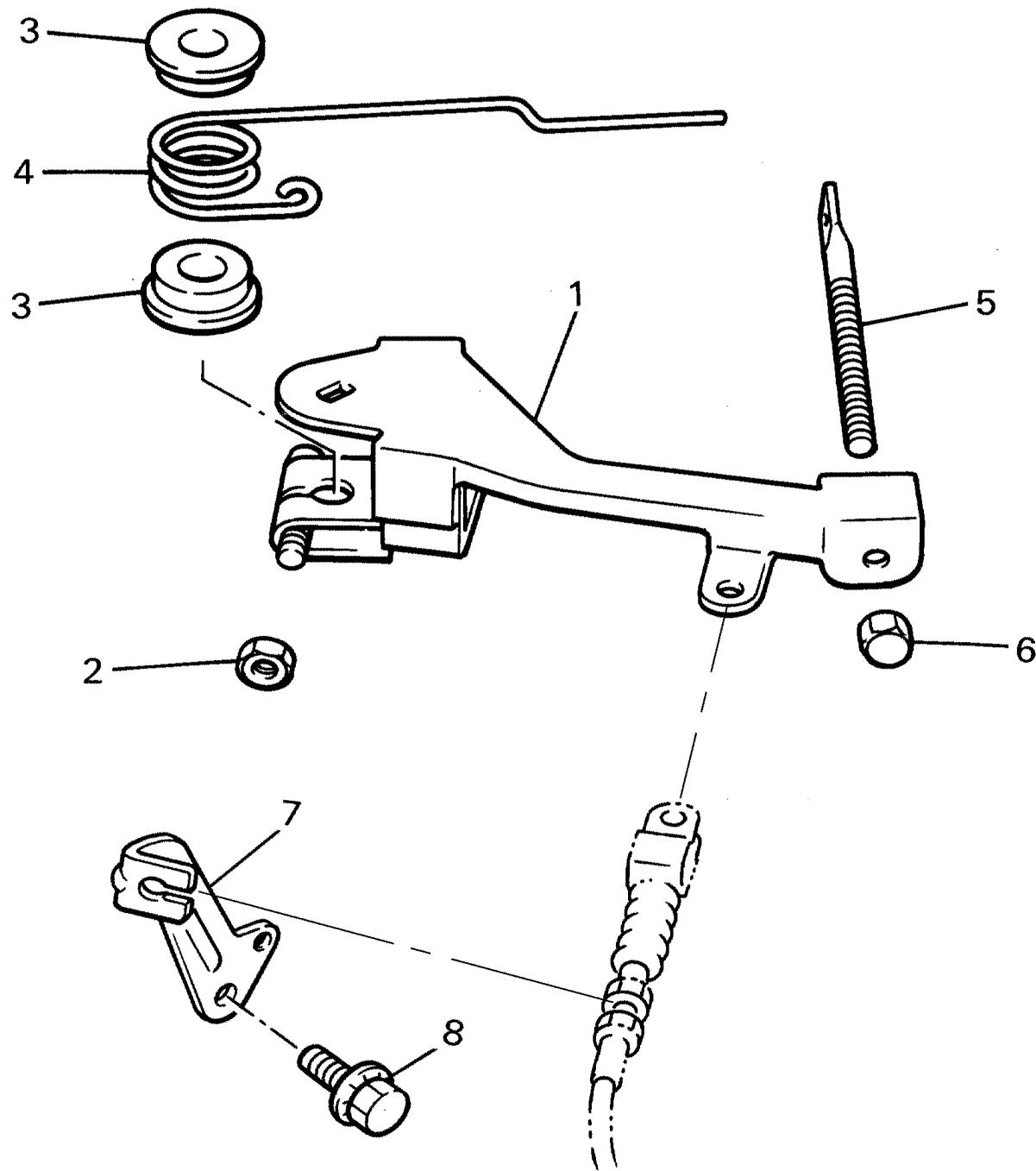
ACCELERATOR	C1
AIR SHROUD FAN	A9
BODY 1	C11
BODY 2	D1-2
BODY FITTING	D3
BRAKE 1	B9-10
BRAKE 2	B11
BRAKE 3	B12
BUMPER	C10
CAMSHAFT VALVE	A8
CARBURETOR	A11
CARRIER	D4
CRANKCASE	B1
CRANKSHAFT PISTON	A7
CYLINDER HEAD	A6
ELECTRICAL 1	D9
ELECTRICAL 2	D10-11
ENGINE ASSEMBLY	A5
ENGINE MOUNT	B2
EXHAUST	A12
FRAME	B4
FRONT SEAT	D5
FRONT SUSPENSION WHEEL	B5-6
FUEL TANK	B8
GOVERNOR	C2
INTAKE	A10
INTERMEDIATE BODY	C12
OPTIONAL HUB CAPS	D12
OPTIONAL ORNAMENTAL PLATE	E3
OPTIONAL SUN ROOF	E2
OPTIONAL WINDSHIELD	E1
PRIMARY CLUTCH	C3
REAR ARM SUSPENSION	B3
REAR AXLE MOUNT WHEEL	C8
REAR SEAT	D6
SECONDARY SHEAVE	C4
SHIFTER CABLES	C9
STARTER GENERATOR	D7-8
STEERING	B7
TRANSMISSION 1	C5-7
-MODELS IN THIS CATALOG	E4



JN6200-7020

GOVERNOR

Ref. No.	Part Number	Description	Qty	Remarks
1	J38-27951-00-00	LEVER, SPEED	1	
2	95317-06600-00	NUT (95307-06600-00)	1	
3	90386-08141-00	BUSH	2	
4	90508-40678-00	SPRING, TORSION	1	
5	J38-27959-00-00	SCREW, ADJUSTING	1	
6	95607-06200-00	NUT, SELF U-FLANGE	1	
7	JN3-G6555-00-00	BRACKET 2	1	
8	90105-08859-00	BOLT, FLANGE	1	



CONTENTS

ACCELERATOR	C1
AIR SHROUD FAN	A9
BODY 1	C11
BODY 2	D1-2
BODY FITTING	D3
BRAKE 1	B9-10
BRAKE 2	B11
BRAKE 3	B12
BUMPER	C10
CAMSHAFT VALVE	A8
CARBURETOR	A11
CARRIER	D4
CRANKCASE	B1
CRANKSHAFT PISTON	A7
CYLINDER HEAD	A6
ELECTRICAL 1	D9
ELECTRICAL 2	D10-11
ENGINE ASSEMBLY	A5
ENGINE MOUNT	B2
EXHAUST	A12
FRAME	B4
FRONT SEAT	D5
FRONT SUSPENSION WHEEL	B5-6
FUEL TANK	B8
GOVERNOR	C2
INTAKE	A10
INTERMEDIATE BODY	C12
OPTIONAL HUB CAPS	D12
OPTIONAL ORNAMENTAL PLATE	E3
OPTIONAL SUN ROOF	E2
OPTIONAL WINDSHIELD	E1
PRIMARY CLUTCH	C3
REAR ARM SUSPENSION	B3
REAR AXLE MOUNT WHEEL	C8
REAR SEAT	D6
SECONDARY SHEAVE	C4
SHIFTER CABLES	C9
STARTER GENERATOR	D7-8
STEERING	B7
TRANSMISSION 1	C5-7
-MODELS IN THIS CATALOG	E4



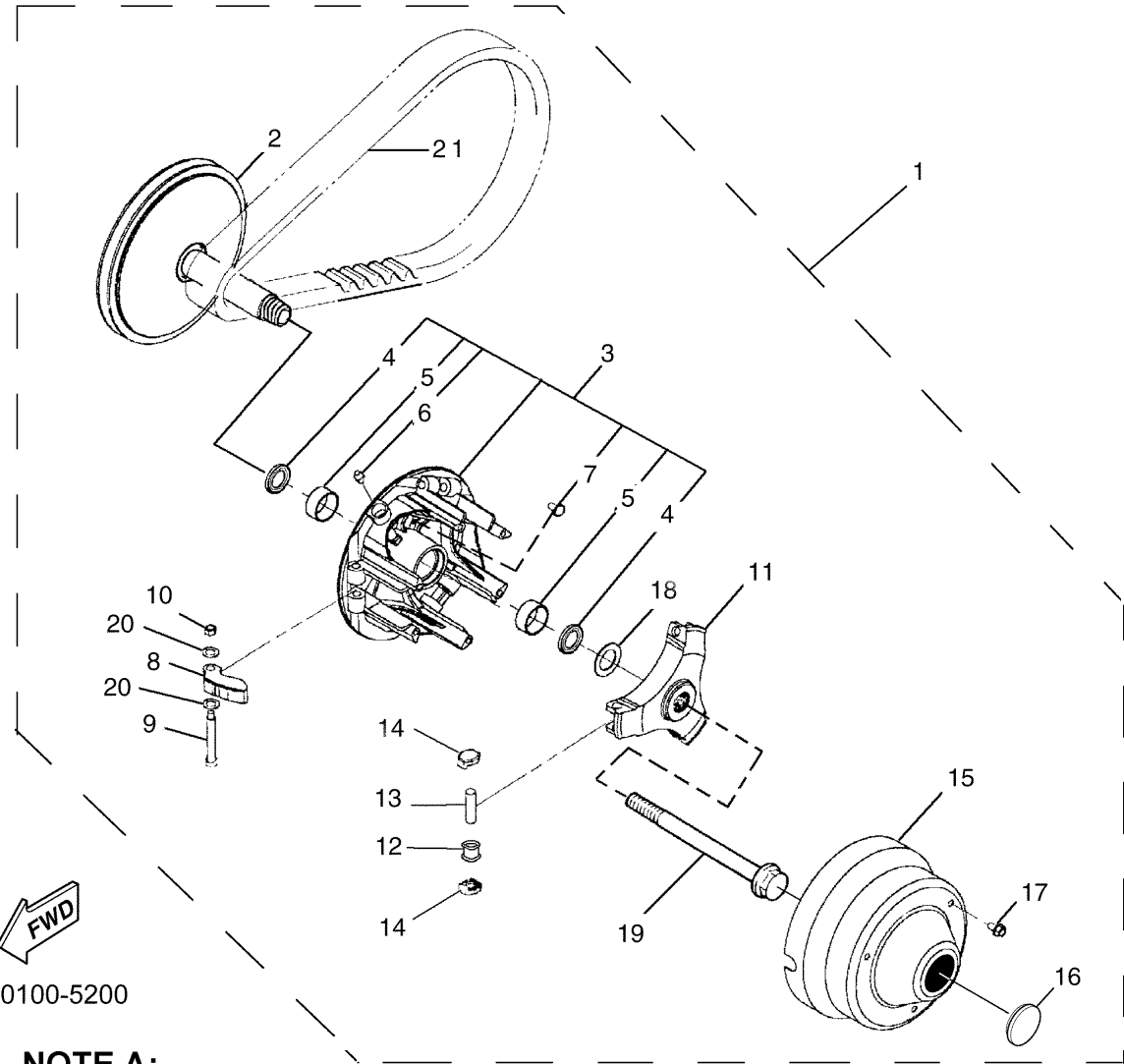
JU0100-5190

PRIMARY CLUTCH

Ref. No.	Part Number	Description	Qty	Remarks
1	JN6-G6201-03-00	PRIMARY CLUTCH ASSEMBLY	1	ASSY INCLUDES ALL EXCEPT REF. #S 19 & 21.
2	JN6-G6210-00-00	. PRIMARY FIXED SHEAVE	1	
3	JN6-G6220-00-00	. PRIMARY SLIDING SHEAVE	1	
4	93101-28831-00	. OIL SEAL	2	
5	90384-27823-00	. BUSH, BIMETAL	2	
6	93700-06810-00	. NIPPLE, GREASE	1	
7	90338-04840-00	. PLUG	3	
8	JN6-G6232-00-00	. WEIGHT, 1	3	
9	90109-06860-00	. BOLT	3	
10	90185-06834-00	. NUT, SELF-LOCKING	3	
11	JN6-G6251-00-00	. SPIDER	1	SEE NOTE A
12	JN6-G6258-01-00	. COLLAR, ROLLER	3	SEE NOTE A
13	93610-358A3-00	. PIN, DOWEL	3	
14	JN6-G6253-00-00	. SLIDER	6	
15	JU0-G6231-00-00	. CAP	1	
16	JU0-G6297-00-00	. COVER, DUST	1	
17	90105-06861-00	. BOLT, FLANGE	1	
18	90201-228K5-00	. WASHER, PLAIN	1	
19	JN6-G6249-00-00	BOLT	1	
20	JN6-G621F-00-00	. SHIM, THRUST	6	
21	J55-G6241-00-00	V-BELT	1	

CONTENTS

ACCELERATOR	C1
AIR SHROUD FAN	A9
BODY 1	C11
BODY 2	D1-2
BODY FITTING	D3
BRAKE 1	B9-10
BRAKE 2	B11
BRAKE 3	B12
BUMPER	C10
CAMSHAFT VALVE	A8
CARBURETOR	A11
CARRIER	D4
CRANKCASE	B1
CRANKSHAFT PISTON	A7
CYLINDER HEAD	A6
ELECTRICAL 1	D9
ELECTRICAL 2	D10-11
ENGINE ASSEMBLY	A5
ENGINE MOUNT	B2
EXHAUST	A12
FRAME	B4
FRONT SEAT	D5
FRONT SUSPENSION WHEEL	B5-6
FUEL TANK	B8
GOVERNOR	C2
INTAKE	A10
INTERMEDIATE BODY	C12
OPTIONAL HUB CAPS	D12
OPTIONAL ORNAMENTAL PLATE	E3
OPTIONAL SUN ROOF	E2
OPTIONAL WINDSHIELD	E1
PRIMARY CLUTCH	C3
REAR ARM SUSPENSION	B3
REAR AXLE MOUNT WHEEL	C8
REAR SEAT	D6
SECONDARY SHEAVE	C4
SHIFTER CABLES	C9
STARTER GENERATOR	D7-8
STEERING	B7
TRANSMISSION 1	C5-7
~MODELS IN THIS CATALOG	E4



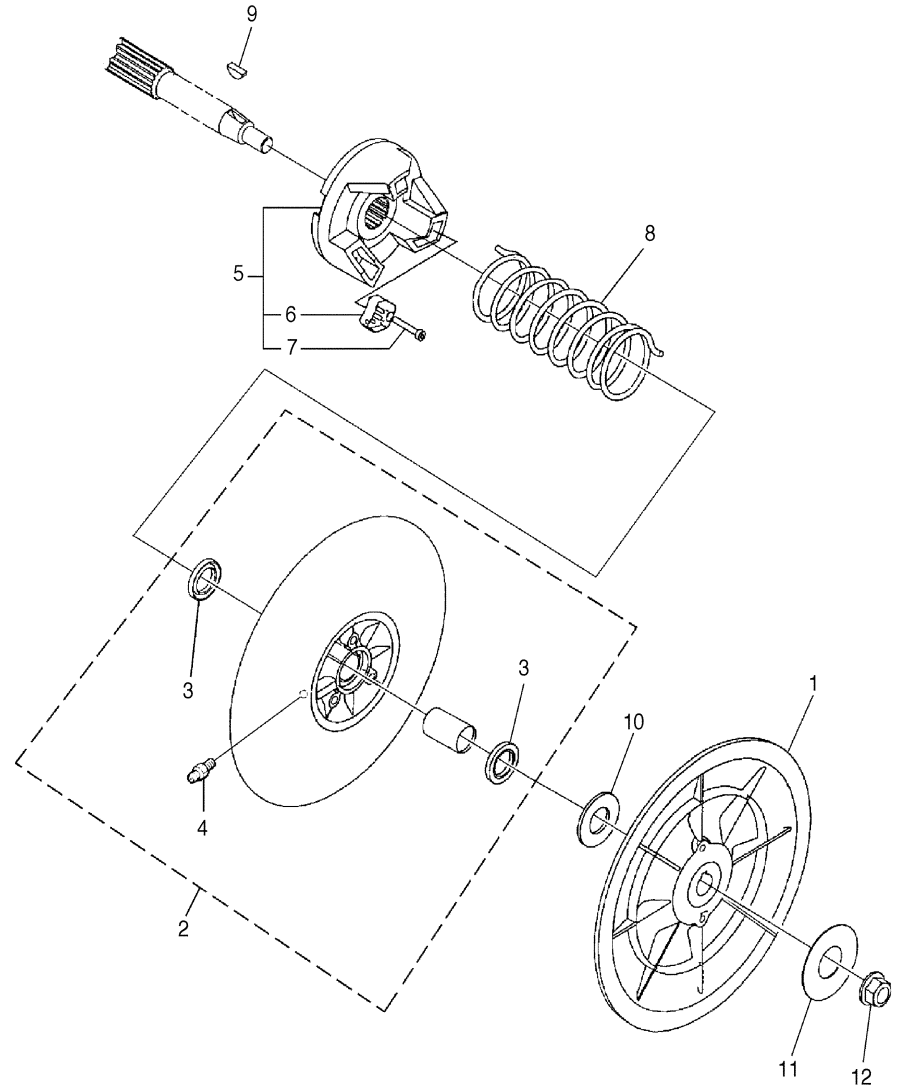
JU0100-5200

NOTE A:

A old style Spider and Collar/Rollers are no longer available. Order Spider/Roller Kit (P/N JU0-G6430-00-00) to upgrade units with the original parts. See Technical Bulletin G03-005 for details.

SECONDARY SHEAVE

Ref. No.	Part Number	Description	Qty	Remarks
1	JN6-G6260-00-00	SECONDARY FIXED SHEAVE .	1	
2	JN6-G6270-01-KT	SECONDARY SLIDING SHEAVE	1	INCL. SLIDING SHEAVE, BUSHING, SEALS & NIPPLE
3	93109-20069-00	. OIL SEAL	2	
4	93700-06809-00	. NIPPLE, GREASE	1	
5	JN6-G6280-00-00	SECONDARY SPRING SEAT COMP.	1	INCL. SECONDARY SPRING SEAT, SHOE RAMP AND BOLTS
6	JN6-E7688-00-00	. SHOE, RAMP	3	
7	90110-04834-00	. BOLT, HEXAGON SOCKET ..	3	
8	90508-45844-00	SPRING, TORSION	1	L=100.5MM + OR - 1.5
9	90280-05022-00	KEY, WOODRUFF	1	
10	90202-20130-00	WASHER	1	
11	90201-12588-00	WASHER, PLATE	1	
12	95607-12200-00	NUT, U-FLANGE	1	



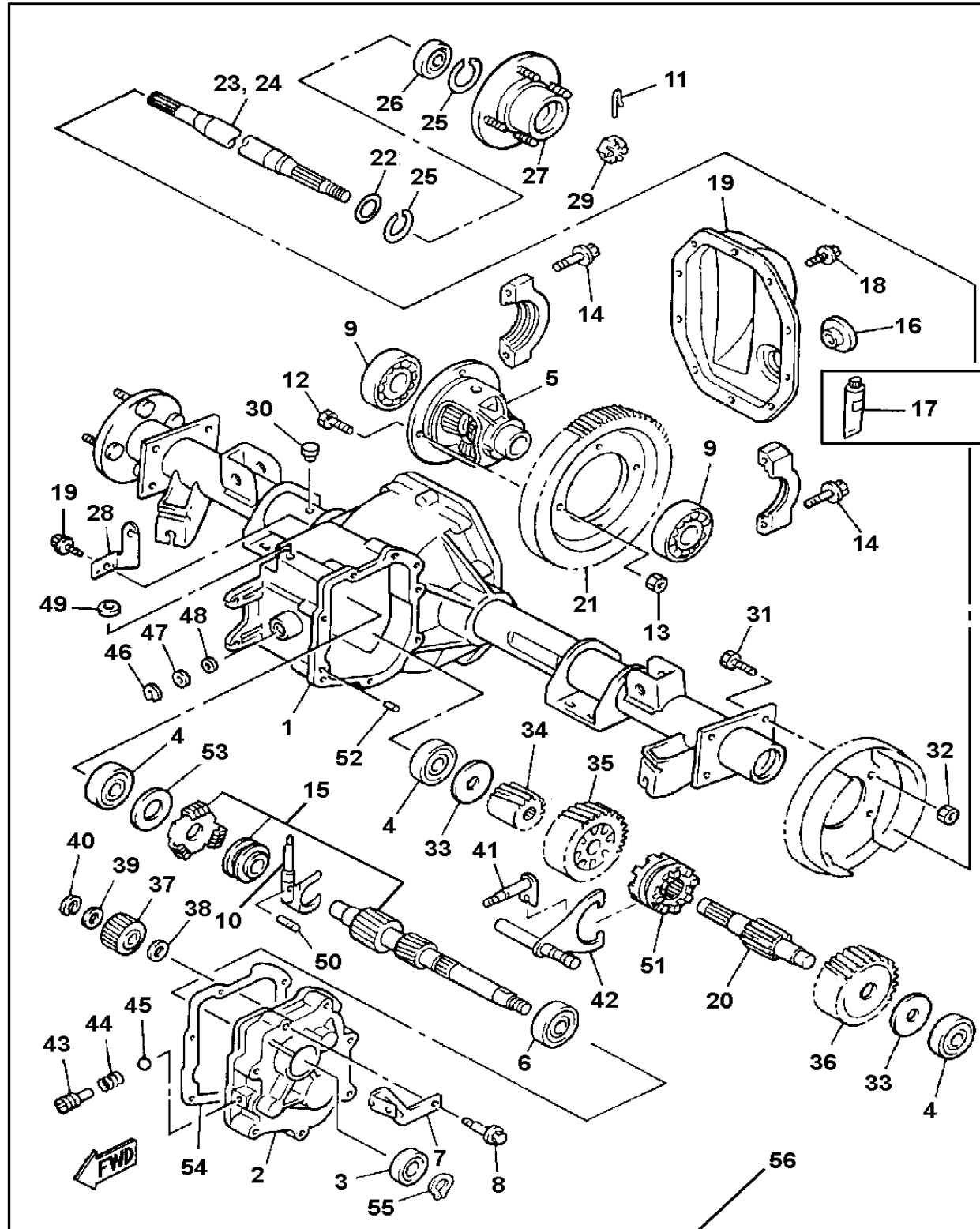
CONTENTS

ACCELERATOR	C1
AIR SHROUD FAN	A9
BODY 1	C11
BODY 2	D1-2
BODY FITTING	D3
BRAKE 1	B9-10
BRAKE 2	B11
BRAKE 3	B12
BUMPER	C10
CAMSHAFT VALVE	A8
CARBURETOR	A11
CARRIER	D4
CRANKCASE	B1
CRANKSHAFT PISTON	A7
CYLINDER HEAD	A6
ELECTRICAL 1	D9
ELECTRICAL 2	D10-11
ENGINE ASSEMBLY	A5
ENGINE MOUNT	B2
EXHAUST	A12
FRAME	B4
FRONT SEAT	D5
FRONT SUSPENSION WHEEL	B5-6
FUEL TANK	B8
GOVERNOR	C2
INTAKE	A10
INTERMEDIATE BODY	C12
OPTIONAL HUB CAPS	D12
OPTIONAL ORNAMENTAL PLATE	E3
OPTIONAL SUN ROOF	E2
OPTIONAL WINDSHIELD	E1
PRIMARY CLUTCH	C3
REAR ARM SUSPENSION	B3
REAR AXLE MOUNT WHEEL	C8
REAR SEAT	D6
SECONDARY SHEAVE	C4
SHIFTER CABLES	C9
STARTER GENERATOR	D7-8
STEERING	B7
TRANSMISSION 1	C5-7
~MODELS IN THIS CATALOG	E4



JU0100-3210

TRANSMISSION 1



JR2010-6222

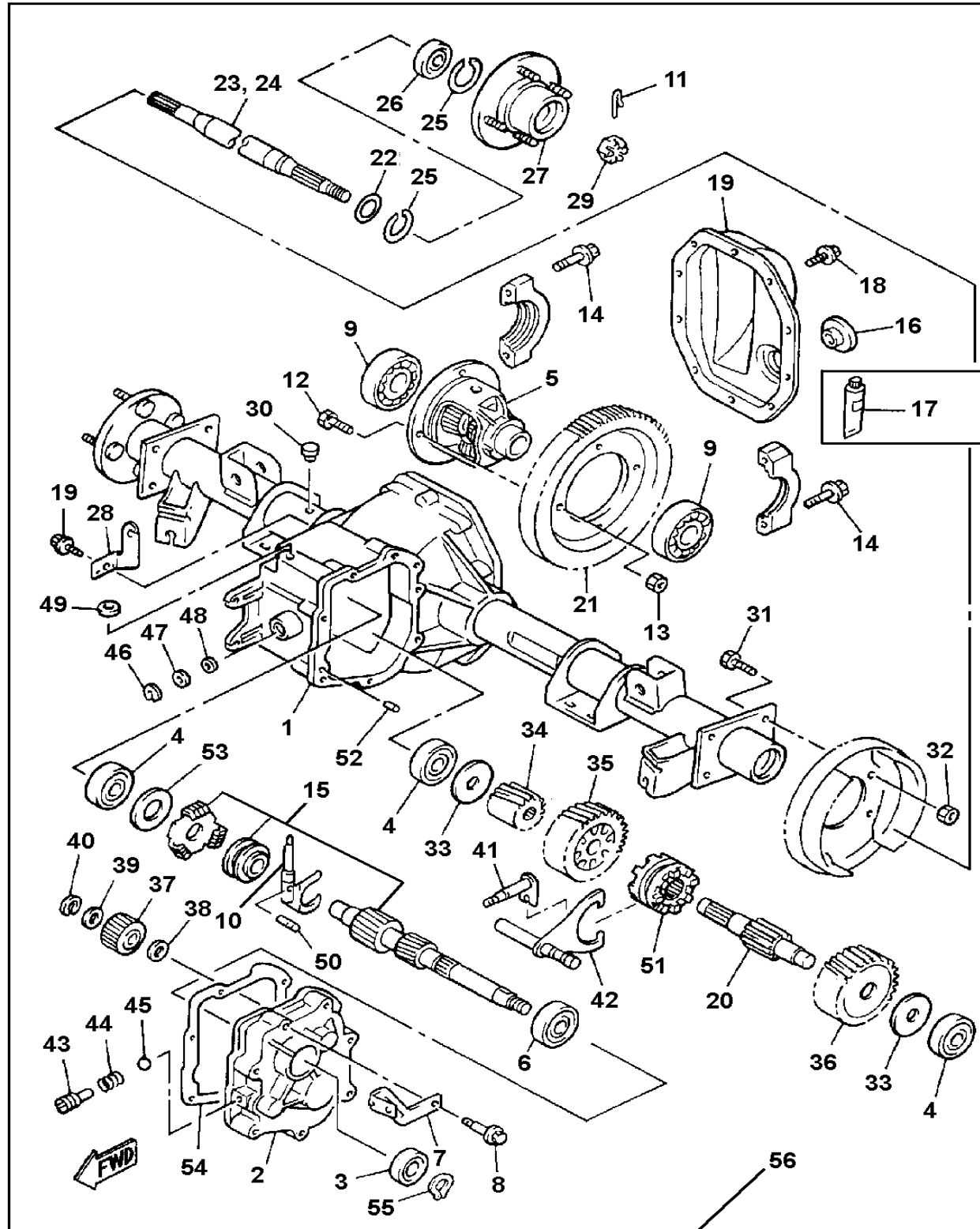
Ref. No.	Part Number	Description	Qty	Remarks
1	JN3-G6290-00-00	CASE ASSEMBLY	1	
2	JN3-G6313-00-00	COVER, TRANSMISSION	1	
3	93102-25868-00	OIL SEAL	1	
4	93306-303Y6-00	BEARING	3	
5	JN6-G6410-00-00	DIFFERENTIAL ASSEMBLY ...	1	
6	93306-005Y4-00	BEARING	1	
7	JN6-G6555-00-00	BRACKET 2	1	
8	90105-08859-00	BOLT, FLANGE	7	
9	93306-007Y0-00	BEARING	2	
10	JN3-G633E-00-00	BAR	1	
11	91490-25030-00	PIN, COTTER	2	
12	90101-10854-00	BOLT, HEX	4	
13	90170-10840-00	NUT, HEX	4	
14	90105-10840-00	BOLT, FLANGE	4	
15	JN3-G6320-00-00	SHAFT, INPUT ASSY	1	
16	JN3-G6432-00-00	STOPPER	1	
17	ACC-QUICK-GS-KT	SEALANT	1	
18	90101-08856-00	BOLT, HEX	11	
19	JN3-G6314-00-00	COVER, TRANSMISSION	1	
20	JN3-G633G-00-00	SHAFT	1	
21	JN3-G6355-00-00	GEAR, PRIMARY	1	
22	93101-24822-00	OIL SEAL	2	
23	JN3-G6511-00-00	SHAFT, REAR AXLE	1	
24	JN3-G6512-00-00	SHAFT, REAR AXLE	1	
25	93420-44805-00	CIRCLIP	4	
26	93306-004X5-00	BEARING	2	
27	JN3-G6514-00-00	HUB, REAR AXLE	2	
28	JN3-G6556-00-00	BRACKET	1	
29	90185-16833-00	NUT, SELF-LOCKING	2	
30	JH7-G5619-00-00	CAP	1	

CONTENTS

ACCELERATOR	C1
AIR SHROUD FAN	A9
BODY 1	C11
BODY 2	D1-2
BODY FITTING	D3
BRAKE 1	B9-10
BRAKE 2	B11
BRAKE 3	B12
BUMPER	C10
CAMSHAFT VALVE	A8
CARBURETOR	A11
CARRIER	D4
CRANKCASE	B1
CRANKSHAFT PISTON	A7
CYLINDER HEAD	A6
ELECTRICAL 1	D9
ELECTRICAL 2	D10-11
ENGINE ASSEMBLY	A5
ENGINE MOUNT	B2
EXHAUST	A12
FRAME	B4
FRONT SEAT	D5
FRONT SUSPENSION WHEEL	B5-6
FUEL TANK	B8
GOVERNOR	C2
INTAKE	A10
INTERMEDIATE BODY	C12
OPTIONAL HUB CAPS	D12
OPTIONAL ORNAMENTAL PLATE	E3
OPTIONAL SUN ROOF	E2
OPTIONAL WINDSHIELD	E1
PRIMARY CLUTCH	C3
REAR ARM SUSPENSION	B3
REAR AXLE MOUNT WHEEL	C8
REAR SEAT	D6
SECONDARY SHEAVE	C4
SHIFTER CABLES	C9
STARTER GENERATOR	D7-8
STEERING	B7
TRANSMISSION 1	C5-7
-MODELS IN THIS CATALOG	E4

CONTINUED ON NEXT FRAME >

TRANSMISSION 1



JR2010-6222

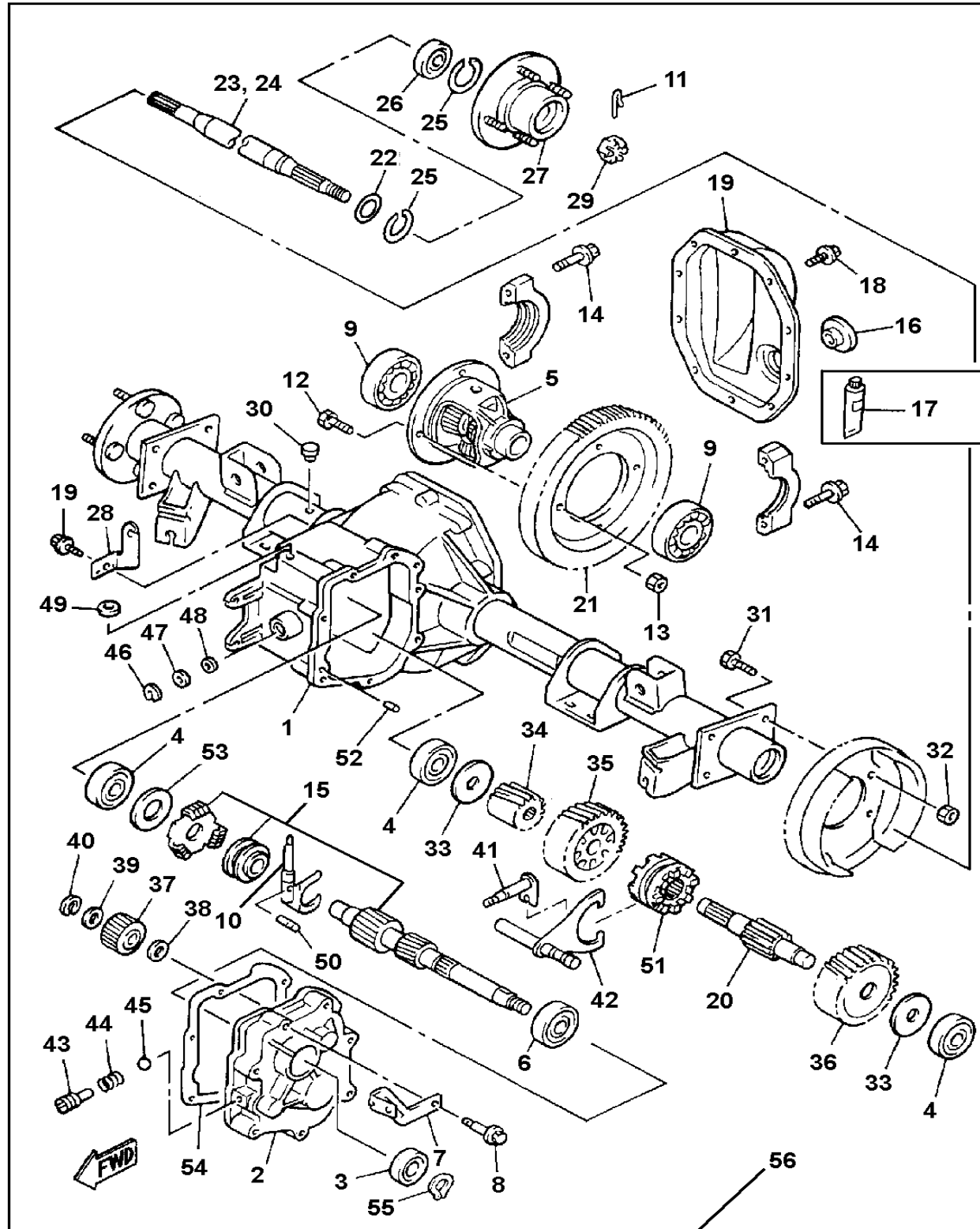
Ref. No.	Part Number	Description	Qty	Remarks
31	90101-08855-00	BOLT, HEX	8	
32	90170-08841-00	NUT, HEX	8	
33	90201-178H8-00	WASHER, PLAIN	2	
34	JN3-G6316-00-00	GEAR, PINION	1	
35	JN3-G6326-00-00	GEAR, WHEEL	1	
36	JN3-G6327-00-00	GEAR, WHEEL	1	
37	JN3-G6356-00-00	GEAR, IDLER	1	
38	90201-208H9-00	WASHER, PLATE	1	
39	90201-208J0-00	WASHER, PLATE	1	
40	93440-20813-00	CIRCLIP	1	
41	JN3-G638A-00-00	BAR, SHIFT	1	
42	JN6-G638E-00-00	BAR, SHIFT 2	1	
43	90113-08803-00	BOLT, SET	1	
44	90501-10852-00	SPRING, COMPRESSION	1	
45	93500-06826-00	BALL	1	
46	93410-12822-00	CIRCLIP	1	
47	90202-12807-00	WASHER, PLAIN	1	
48	93104-11829-00	OIL SEAL	1	
49	93109-10820-00	OIL SEAL	1	
50	JN3-G6249-00-00	BOLT	1	
51	JN3-G6153-00-00	COLLAR, GUIDE	1	
52	93606-10842-00	PIN, DOWEL	2	
53	JN3-G6344-00-00	SHIM, 0.76MM (0.030IN)	1	0.76MM (0.030IN)
	JN3-G6344-10-00	SHIM, 0.90MM (0.035IN)	1	0.90MM (0.035IN)
	JN3-G6344-20-00	SHIM, 1.00MM (0.040IN)	1	1.0MM ((0.040IN)
	JN3-G6344-30-00	SHIM, 1.14MM (0.045IN)	1	1.14MM (0.045IN)
	JN3-G6344-40-00	SHIM, 1.27MM (0.050IN)	1	1.27MM (0.050IN)
	JN3-G6344-50-00	SHIM, 1.39MM (0.055IN)	1	1.39MM (0.055IN)
	JN3-G6344-60-00	SHIM, 1.52MM (0.060IN)	1	1.52MM (0.060IN)
	JN3-G6344-70-00	SHIM, 1.65MM (0.065IN)	1	1.65MM (0.065IN)

CONTINUED ON NEXT FRAME ►

CONTENTS

ACCELERATOR	C1
AIR SHROUD FAN	A9
BODY 1	C11
BODY 2	D1-2
BODY FITTING	D3
BRAKE 1	B9-10
BRAKE 2	B11
BRAKE 3	B12
BUMPER	C10
CAMSHAFT VALVE	A8
CARBURETOR	A11
CARRIER	D4
CRANKCASE	B1
CRANKSHAFT PISTON	A7
CYLINDER HEAD	A6
ELECTRICAL 1	D9
ELECTRICAL 2	D10-11
ENGINE ASSEMBLY	A5
ENGINE MOUNT	B2
EXHAUST	A12
FRAME	B4
FRONT SEAT	D5
FRONT SUSPENSION WHEEL	B5-6
FUEL TANK	B8
GOVERNOR	C2
INTAKE	A10
INTERMEDIATE BODY	C12
OPTIONAL HUB CAPS	D12
OPTIONAL ORNAMENTAL PLATE	E3
OPTIONAL SUN ROOF	E2
OPTIONAL WINDSHIELD	E1
PRIMARY CLUTCH	C3
REAR ARM SUSPENSION	B3
REAR AXLE MOUNT WHEEL	C8
REAR SEAT	D6
SECONDARY SHEAVE	C4
SHIFTER CABLES	C9
STARTER GENERATOR	D7-8
STEERING	B7
TRANSMISSION 1	C5-7
-MODELS IN THIS CATALOG	E4

TRANSMISSION 1



Ref. No.	Part Number	Description	Qty	Remarks
53	JN3-G6344-80-00	SHIM, 0.38MM (0.015IN)	1	0.38MM (0.015IN)
54	JN3-G6319-00-00	GASKET	1	
55	93410-25017-00-00	CIRCLIP (S)	1	
56	JN6-G6300-04-00	TRANSAXLE ASSEMBLY	1	WITH BRAKE PLATES

CONTENTS

ACCELERATOR	C1
AIR SHROUD FAN	A9
BODY 1	C11
BODY 2	D1-2
BODY FITTING	D3
BRAKE 1	B9-10
BRAKE 2	B11
BRAKE 3	B12
BUMPER	C10
CAMSHAFT VALVE	A8
CARBURETOR	A11
CARRIER	D4
CRANKCASE	B1
CRANKSHAFT PISTON	A7
CYLINDER HEAD	A6
ELECTRICAL 1	D9
ELECTRICAL 2	D10-11
ENGINE ASSEMBLY	A5
ENGINE MOUNT	B2
EXHAUST	A12
FRAME	B4
FRONT SEAT	D5
FRONT SUSPENSION WHEEL	B5-6
FUEL TANK	B8
GOVERNOR	C2
INTAKE	A10
INTERMEDIATE BODY	C12
OPTIONAL HUB CAPS	D12
OPTIONAL ORNAMENTAL PLATE	E3
OPTIONAL SUN ROOF	E2
OPTIONAL WINDSHIELD	E1
PRIMARY CLUTCH	C3
REAR ARM SUSPENSION	B3
REAR AXLE MOUNT WHEEL	C8
REAR SEAT	D6
SECONDARY SHEAVE	C4
SHIFTER CABLES	C9
STARTER GENERATOR	D7-8
STEERING	B7
TRANSMISSION 1	C5-7
-MODELS IN THIS CATALOG	E4

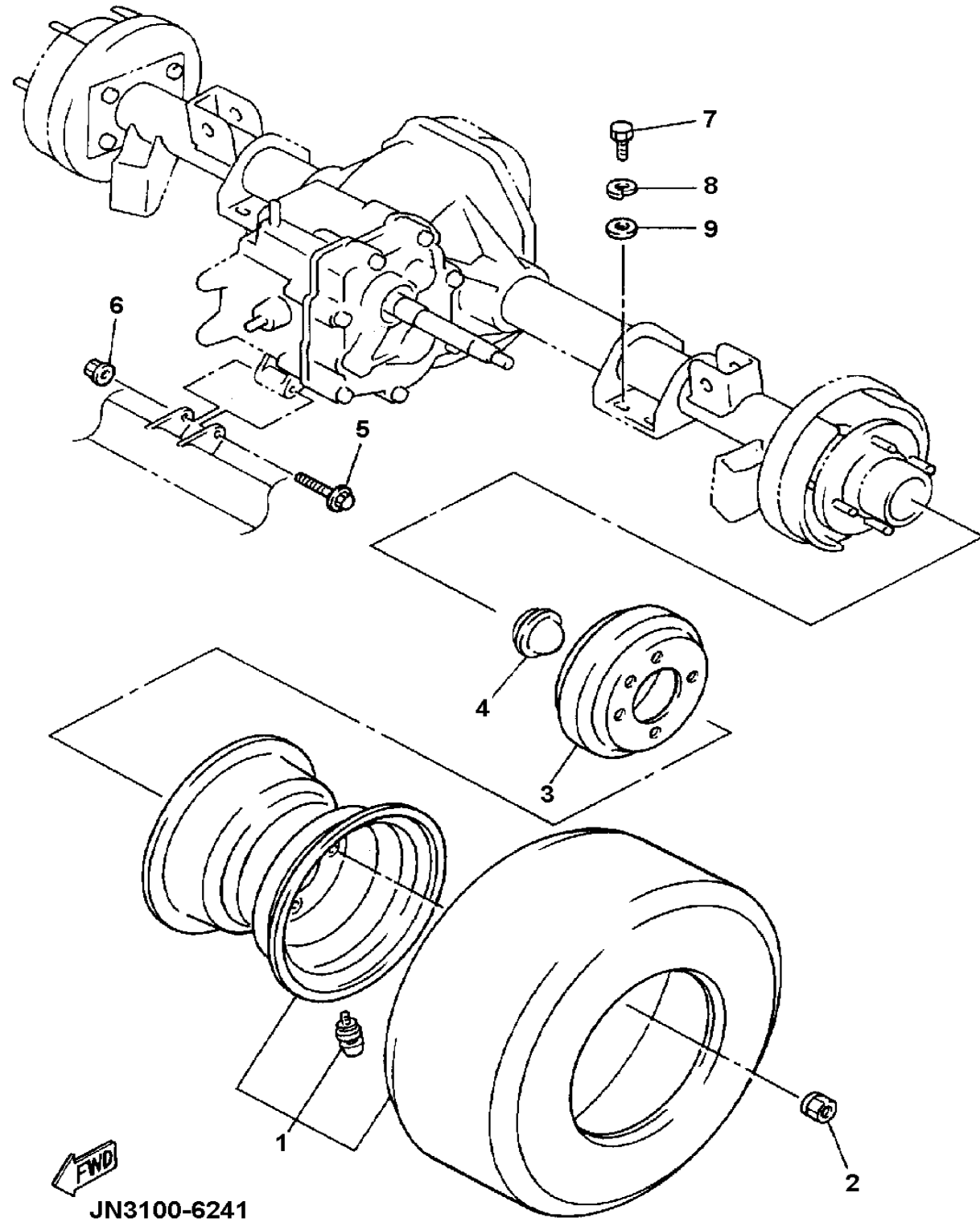
JR2010-6222

REAR AXLE MOUNT WHEEL

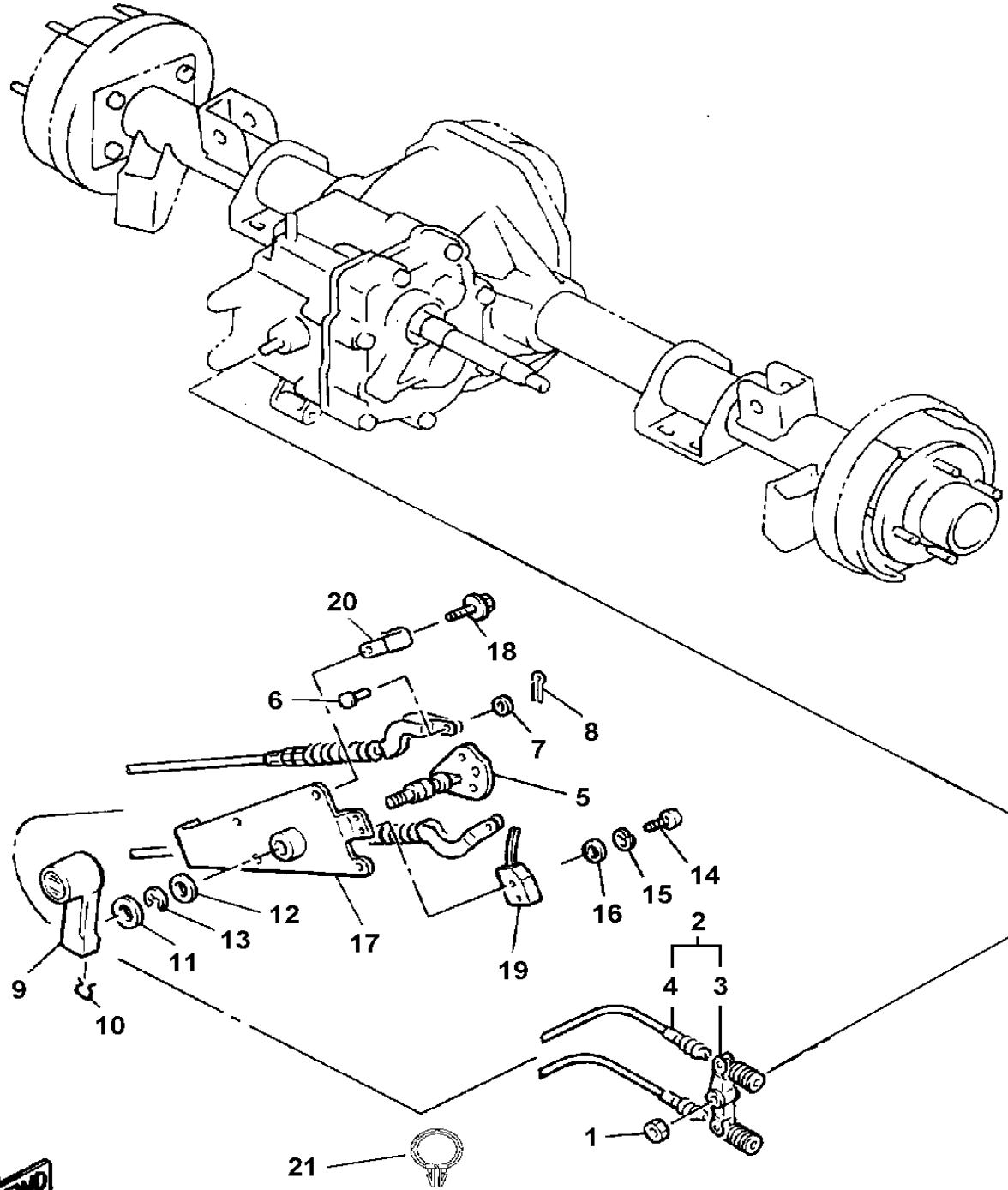
Ref. No.	Part Number	Description	Qty	Remarks
1	JN6-F5100-11-00	FRONT WHEEL ASSY, IVORY . . .	2	
2	90179-12262-00	NUT	8	
3	J55-G6521-00-00	DRUM	2	
4	JN6-F5118-00-00	COVER, HUB DUST	2	
5	95817-08075-00	BOLT, FLANGE	1	
6	95707-08500-00	NUT, FLANGE	1	
7	97017-10020-00	BOLT	8	
8	92907-10100-00	WASHER, SPRING	8	
9	90201-102G9-00	WASHER, PLATE	8	

CONTENTS

ACCELERATOR	C1
AIR SHROUD FAN	A9
BODY 1	C11
BODY 2	D1-2
BODY FITTING	D3
BRAKE 1	B9-10
BRAKE 2	B11
BRAKE 3	B12
BUMPER	C10
CAMSHAFT VALVE	A8
CARBURETOR	A11
CARRIER	D4
CRANKCASE	B1
CRANKSHAFT PISTON	A7
CYLINDER HEAD	A6
ELECTRICAL 1	D9
ELECTRICAL 2	D10-11
ENGINE ASSEMBLY	A5
ENGINE MOUNT	B2
EXHAUST	A12
FRAME	B4
FRONT SEAT	D5
FRONT SUSPENSION WHEEL	B5-6
FUEL TANK	B8
GOVERNOR	C2
INTAKE	A10
INTERMEDIATE BODY	C12
OPTIONAL HUB CAPS	D12
OPTIONAL ORNAMENTAL PLATE	E3
OPTIONAL SUN ROOF	E2
OPTIONAL WINDSHIELD	E1
PRIMARY CLUTCH	C3
REAR ARM SUSPENSION	B3
REAR AXLE MOUNT WHEEL	C8
REAR SEAT	D6
SECONDARY SHEAVE	C4
SHIFTER CABLES	C9
STARTER GENERATOR	D7-8
STEERING	B7
TRANSMISSION 1	C5-7
-MODELS IN THIS CATALOG	E4



SHIFTER CABLES



Ref. No.	Part Number	Description	Qty	Remarks
1	95617-08100-00	NUT, U	1	
2	JR8-G8330-01-00	CABLE, SHIFT ASSY	2	
3	J55-G6383-00-00	. LEVER, SHIFT	1	
4	JR8-G6371-01-00	. WIRE SHIFT	2	
5	JF2-46382-00-00	LEVER, SHIFT	1	
6	91702-06014-00	PIN	2	
7	92907-06600-00	.WASHER, PLATE	2	
8	91490-20025-00	PIN, SPLIT	2	
9	JN3-G6381-00-00	KNOB, SHIFT	1	
10	JN3-G6376-00-00	SPRING, SET	1	
11	90201-201L9-00	WASHER, PLAIN	1	
12	90201-19551-00	WASHER, PLAIN	1	
13	99009-19400-00	CIRCLIP	1	
14	98507-04016-00	SCREW, PAN HEAD	2	
15	92907-04100-00	WASHER, SPRING	2	
16	92907-04600-00	WASHER	2	
17	JN3-G6372-00-00	BRACKET, SHIFT	1	
18	95817-06016-00	BOLT, FLANGE	4	
19	JN3-82617-00-00	SWITCH	1	
20	90465-06038-00	CLAMP	1	
21	90464-19815-00	CLAMP	1	

CONTENTS

ACCELERATOR	C1
AIR SHROUD FAN	A9
BODY 1	C11
BODY 2	D1-2
BODY FITTING	D3
BRAKE 1	B9-10
BRAKE 2	B11
BRAKE 3	B12
BUMPER	C10
CAMSHAFT VALVE	A8
CARBURETOR	A11
CARRIER	D4
CRANKCASE	B1
CRANKSHAFT PISTON	A7
CYLINDER HEAD	A6
ELECTRICAL 1	D9
ELECTRICAL 2	D10-11
ENGINE ASSEMBLY	A5
ENGINE MOUNT	B2
EXHAUST	A12
FRAME	B4
FRONT SEAT	D5
FRONT SUSPENSION WHEEL	B5-6
FUEL TANK	B8
GOVERNOR	C2
INTAKE	A10
INTERMEDIATE BODY	C12
OPTIONAL HUB CAPS	D12
OPTIONAL ORNAMENTAL PLATE	E3
OPTIONAL SUN ROOF	E2
OPTIONAL WINDSHIELD	E1
PRIMARY CLUTCH	C3
REAR ARM SUSPENSION	B3
REAR AXLE MOUNT WHEEL	C8
REAR SEAT	D6
SECONDARY SHEAVE	C4
SHIFTER CABLES	C9
STARTER GENERATOR	D7-8
STEERING	B7
TRANSMISSION 1	C5-7
-MODELS IN THIS CATALOG	E4

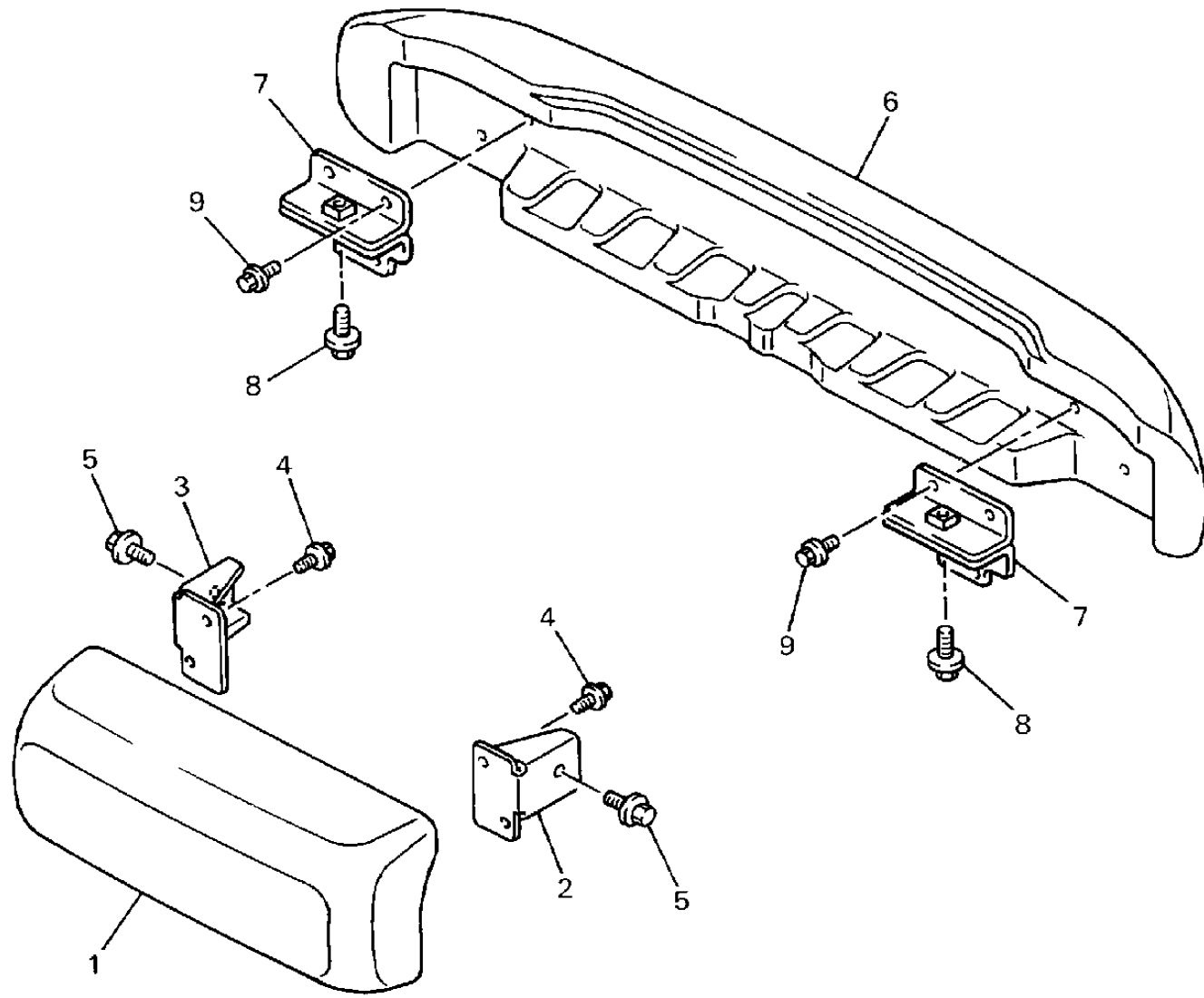
JN6100-6161

BUMPER

Ref. No.	Part Number	Description	Qty	Remarks
1	JN3-K7510-02-00	FRONT BUMPER COMP.	1	
2	JN3-K8164-00-00	STAY, FRONT BUMPER	1	
3	JN3-K8165-00-00	STAY, FRONT BUMPER	1	
4	95817-06016-00	BOLT, FLANGE	4	
5	95817-08016-00	BOLT, FLANGE	2	
6	JN6-K7540-00-00	REAR BUMPER	1	
7	JN3-K8174-00-00	STAY, REAR BUMPER	2	
8	95817-10020-00	BOLT, FLANGE	2	
9	95817-06016-00	BOLT, FLANGE	4	

CONTENTS

ACCELERATOR	C1
AIR SHROUD FAN	A9
BODY 1	C11
BODY 2	D1-2
BODY FITTING	D3
BRAKE 1	B9-10
BRAKE 2	B11
BRAKE 3	B12
BUMPER	C10
CAMSHAFT VALVE	A8
CARBURETOR	A11
CARRIER	D4
CRANKCASE	B1
CRANKSHAFT PISTON	A7
CYLINDER HEAD	A6
ELECTRICAL 1	D9
ELECTRICAL 2	D10-11
ENGINE ASSEMBLY	A5
ENGINE MOUNT	B2
EXHAUST	A12
FRAME	B4
FRONT SEAT	D5
FRONT SUSPENSION WHEEL	B5-6
FUEL TANK	B8
GOVERNOR	C2
INTAKE	A10
INTERMEDIATE BODY	C12
OPTIONAL HUB CAPS	D12
OPTIONAL ORNAMENTAL PLATE	E3
OPTIONAL SUN ROOF	E2
OPTIONAL WINDSHIELD	E1
PRIMARY CLUTCH	C3
REAR ARM SUSPENSION	B3
REAR AXLE MOUNT WHEEL	C8
REAR SEAT	D6
SECONDARY SHEAVE	C4
SHIFTER CABLES	C9
STARTER GENERATOR	D7-8
STEERING	B7
TRANSMISSION 1	C5-7
-MODELS IN THIS CATALOG	E4



JN6100-6170

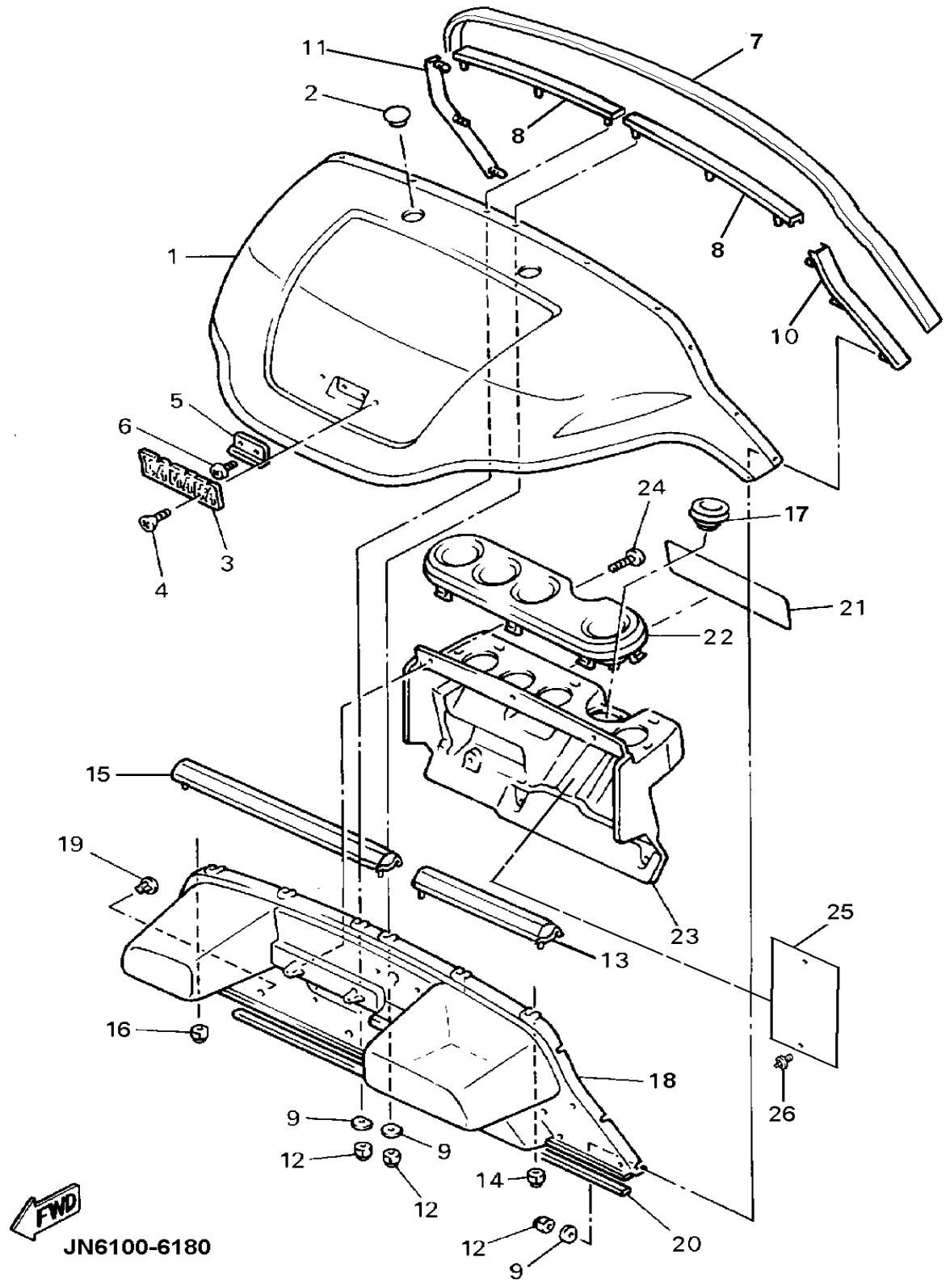
BODY 1

Ref. No.	Part Number	Description	Qty	Remarks
1	JU0-K8115-00-00	COWL, FRONT	1	IVORY W/O SUNTOP
2	JN3-K818E-00-00	CAP, PROTECTOR	2	
3	JN6-F4161-01-00	EMBLEM, 1	1	
4	90162-04002-00	SCREW, OVAL C	2	
5	JF2-K811G-00-00	BOLT, COWL FITTING	1	
6	98980-06016-00	SCREW, BINDING	1	
7	JF2-K811V-00-00	PROTECTOR	1	
8	JF2-K8261-02-00	PLATE, BODY PROTECTOR	1	
9	JN3-K8117-00-00	PLATE	12	
10	JF2-K8262-01-00	PLATE, BODY PROTECTOR	1	
11	JF2-K8263-01-00	PLATE, BODY PROTECTOR	1	
12	90185-06836-00	NUT, SELF-LOCKING	12	
13	JN6-K8264-00-00	PLATE, BODY PROTECTOR	1	
14	95607-06200-00	NUT, SELF U-FLANGE	2	
15	JN6-K8265-00-00	PLATE, BODY PROTECTOR	1	
16	95607-06200-00	NUT, SELF U-FLANGE	2	
17	JN3-K8273-00-00	COVER, HOLE	1	
18	JF2-K8114-02-00	PANEL, FRONT	1	
19	90269-08069-00	RIVET	3	
20	JN3-K815G-00-00	SEAL, FRONT STORAGE	1	
21	JR8-K7768-00-00	LABEL, WARNING 8	1	
22	JN6-K835E-00-00	HOLDER, BEVERAGE	1	
23	JN3-K835G-00-00	HOUSING, HOLDER	1	
24	97707-60130-00	SCREW, PAN HEAD	1	
25	JN6-K8182-00-00	PLATE, 2	1	
26	90267-63047-00	RIVET, BLIND	2	

ALSO REPLACE REF. #21, LABEL, WARNING 8

CONTENTS

ACCELERATOR	C1
AIR SHROUD FAN	A9
BODY 1	C11
BODY 2	D1-2
BODY FITTING	D3
BRAKE 1	B9-10
BRAKE 2	B11
BRAKE 3	B12
BUMPER	C10
CAMSHAFT VALVE	A8
CARBURETOR	A11
CARRIER	D4
CRANKCASE	B1
CRANKSHAFT PISTON	A7
CYLINDER HEAD	A6
ELECTRICAL 1	D9
ELECTRICAL 2	D10-11
ENGINE ASSEMBLY	A5
ENGINE MOUNT	B2
EXHAUST	A12
FRAME	B4
FRONT SEAT	D5
FRONT SUSPENSION WHEEL	B5-6
FUEL TANK	B8
GOVERNOR	C2
INTAKE	A10
INTERMEDIATE BODY	C12
OPTIONAL HUB CAPS	D12
OPTIONAL ORNAMENTAL PLATE	E3
OPTIONAL SUN ROOF	E2
OPTIONAL WINDSHIELD	E1
PRIMARY CLUTCH	C3
REAR ARM SUSPENSION	B3
REAR AXLE MOUNT WHEEL	C8
REAR SEAT	D6
SECONDARY SHEAVE	C4
SHIFTER CABLES	C9
STARTER GENERATOR	D7-8
STEERING	B7
TRANSMISSION 1	C5-7
-MODELS IN THIS CATALOG	E4

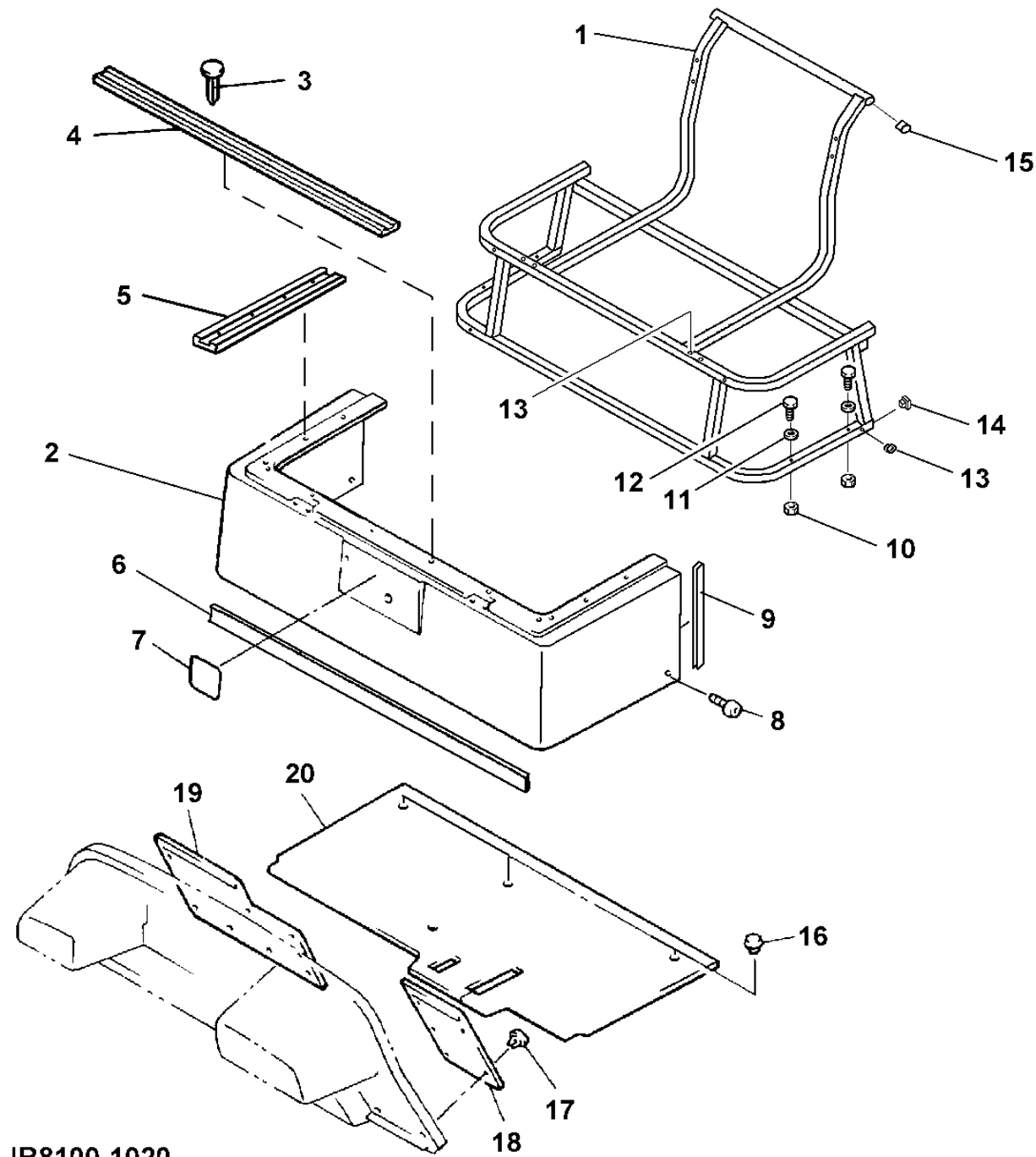


INTERMEDIATE BODY

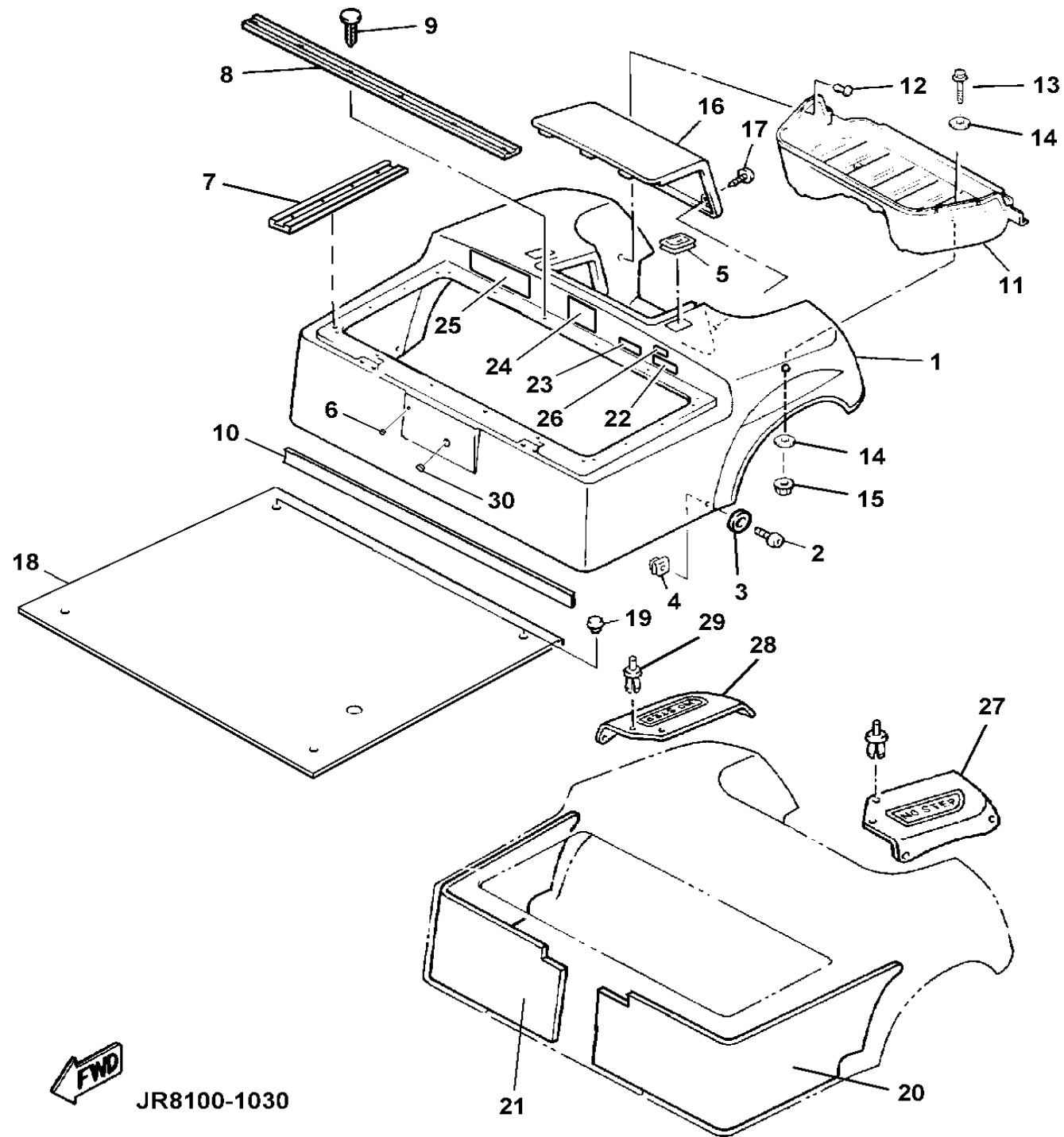
Ref. No.	Part Number	Description	Qty	Remarks
1	JR8-K8420-00-00	SEAT ASSY 2	1	
2	JR8-K8141-00-00	PANEL, INTERMEDIATE BODY	1	IVORY-REPLACE REF. #7, INDICATOR 1 ALSO
3	90338-05834-00	PLUG	12	
4	JN3-K842A-00-00	SEAL, SEAT	1	
5	JR8-K8425-00-00	SEAT SEAL	2	
6	JN6-K824E-00-00	TRIM, REAR BODY	1	
7	JN3-K7741-00-00	INDICATOR	1	
8	90111-06810-00	BOLT, BUTTON	2	
9	JR8-K8447-00-00	TRIM	2	
10	9560P-08200-00	NUT	4	
11	90201-088S2-00	WASHER, PLATE	4	
12	90101-08870-00	BOLT, HEX	4	
13	4XE-F1399-00-00	CAP, ROUND	6	
14	5FU-F111A-00-00	CAP, MAIN PIPE	2	
15	4XE-F1399-00-00	CAP, ROUND	2	
16	90269-08813-00	RIVET	4	
17	90267-63047-00	RIVET, BLIND	10	
18	JN6-K8231-00-00	MAT MAIN FLOOR 1	1	
19	JN6-K8232-00-00	MAT MAIN FLOOR 2	1	
20	JN6-K8233-00-00	MAT MAIN FLOOR 3	1	

CONTENTS

ACCELERATOR	C1
AIR SHROUD FAN	A9
BODY 1	C11
BODY 2	D1-2
BODY FITTING	D3
BRAKE 1	B9-10
BRAKE 2	B11
BRAKE 3	B12
BUMPER	C10
CAMSHAFT VALVE	A8
CARBURETOR	A11
CARRIER	D4
CRANKCASE	B1
CRANKSHAFT PISTON	A7
CYLINDER HEAD	A6
ELECTRICAL 1	D9
ELECTRICAL 2	D10-11
ENGINE ASSEMBLY	A5
ENGINE MOUNT	B2
EXHAUST	A12
FRAME	B4
FRONT SEAT	D5
FRONT SUSPENSION WHEEL	B5-6
FUEL TANK	B8
GOVERNOR	C2
INTAKE	A10
INTERMEDIATE BODY	C12
OPTIONAL HUB CAPS	D12
OPTIONAL ORNAMENTAL PLATE	E3
OPTIONAL SUN ROOF	E2
OPTIONAL WINDSHIELD	E1
PRIMARY CLUTCH	C3
REAR ARM SUSPENSION	B3
REAR AXLE MOUNT WHEEL	C8
REAR SEAT	D6
SECONDARY SHEAVE	C4
SHIFTER CABLES	C9
STARTER GENERATOR	D7-8
STEERING	B7
TRANSMISSION 1	C5-7
-MODELS IN THIS CATALOG	E4



BODY 2



Ref. No.	Part Number	Description	Qty	Remarks
1	JN6-K8142-00-00	PANEL, REAR BODY	1	IVORY SEE NOTE A
2	90110-06200-00	BOLT, HEXAGON SOCKET HEAD	2	
3	90201-068H0-00	WASHER, PLAIN	2	
4	90183-06811-00	NUT, SPRING	2	
5	JN3-K8363-00-00	PROTECTOR	2	
6	90338-05834-00	PLUG	1	
7	JN3-K8425-00-00	SEAL, SEAT	2	
8	JN3-K842A-00-00	SEAL, SEAT	2	
9	90338-05834-00	PLUG	20	
10	JN6-K824E-00-00	TRIM, REAR BODY	1	
11	JF2-K8237-00-00	COVER, REAR FLOOR	1	
12	90269-08069-00	RIVET	7	
13	90101-06876-00	BOLT, HEX. W/WASHER	2	
14	90201-068G7-00	WASHER, PLAIN	4	
15	90185-06836-00	NUT, SELF-LOCKING	2	
16	JN3-K8151-00-00	PANEL, INSPECTION	1	
17	90267-36853-00	RIVET, BLIND	2	
18	JR8-K8241-00-00	MAT, REAR FLOOR	1	
19	90269-08813-00	RIVET	4	
20	JN6-K8251-01-00	PAD, SILENCER 1	1	
21	JN6-K8252-01-00	PAD, SILENCER 2	1	
22	JR8-F4236-00-00	MARK 2	1	UR
23	JN6-H2377-00-00	LABEL	1	SEE NOTE A
24	JN3-K8299-10-00	PLATE, CAUTION 3	1	SEE NOTE A
25	JN3-K8297-10-00	PLATE, CAUTION 1	1	SEE NOTE A
26	JN6-F4239-00-00	MARK 5	1	UR
27	JN3-K8243-00-00	MAT, BODY SIDE LEFT	1	
28	JN3-K8244-00-00	MAT, BODY SIDE RIGHT	1	
29	90269-07810-00	RIVET	10	

CONTENTS

ACCELERATOR	C1
AIR SHROUD FAN	A9
BODY 1	C11
BODY 2	D1-2
BODY FITTING	D3
BRAKE 1	B9-10
BRAKE 2	B11
BRAKE 3	B12
BUMPER	C10
CAMSHAFT VALVE	A8
CARBURETOR	A11
CARRIER	D4
CRANKCASE	B1
CRANKSHAFT PISTON	A7
CYLINDER HEAD	A6
ELECTRICAL 1	D9
ELECTRICAL 2	D10-11
ENGINE ASSEMBLY	A5
ENGINE MOUNT	B2
EXHAUST	A12
FRAME	B4
FRONT SEAT	D5
FRONT SUSPENSION WHEEL	B5-6
FUEL TANK	B8
GOVERNOR	C2
INTAKE	A10
INTERMEDIATE BODY	C12
OPTIONAL HUB CAPS	D12
OPTIONAL ORNAMENTAL PLATE	E3
OPTIONAL SUN ROOF	E2
OPTIONAL WINDSHIELD	E1
PRIMARY CLUTCH	C3
REAR ARM SUSPENSION	B3
REAR AXLE MOUNT WHEEL	C8
REAR SEAT	D6
SECONDARY SHEAVE	C4
SHIFTER CABLES	C9
STARTER GENERATOR	D7-8
STEERING	B7
TRANSMISSION 1	C5-7
-MODELS IN THIS CATALOG	E4

NOTE A: WHEN REPLACING PANEL REAR BODY (JN6K8142-00-00), YOU MUST ALSO REPLACE LABEL (JN6-H2377-00-00), PLATE CAUTION 3 (JN3-K8299-00-00) AND PLATE CAUTION 1 (JN3-K8297-10-00).

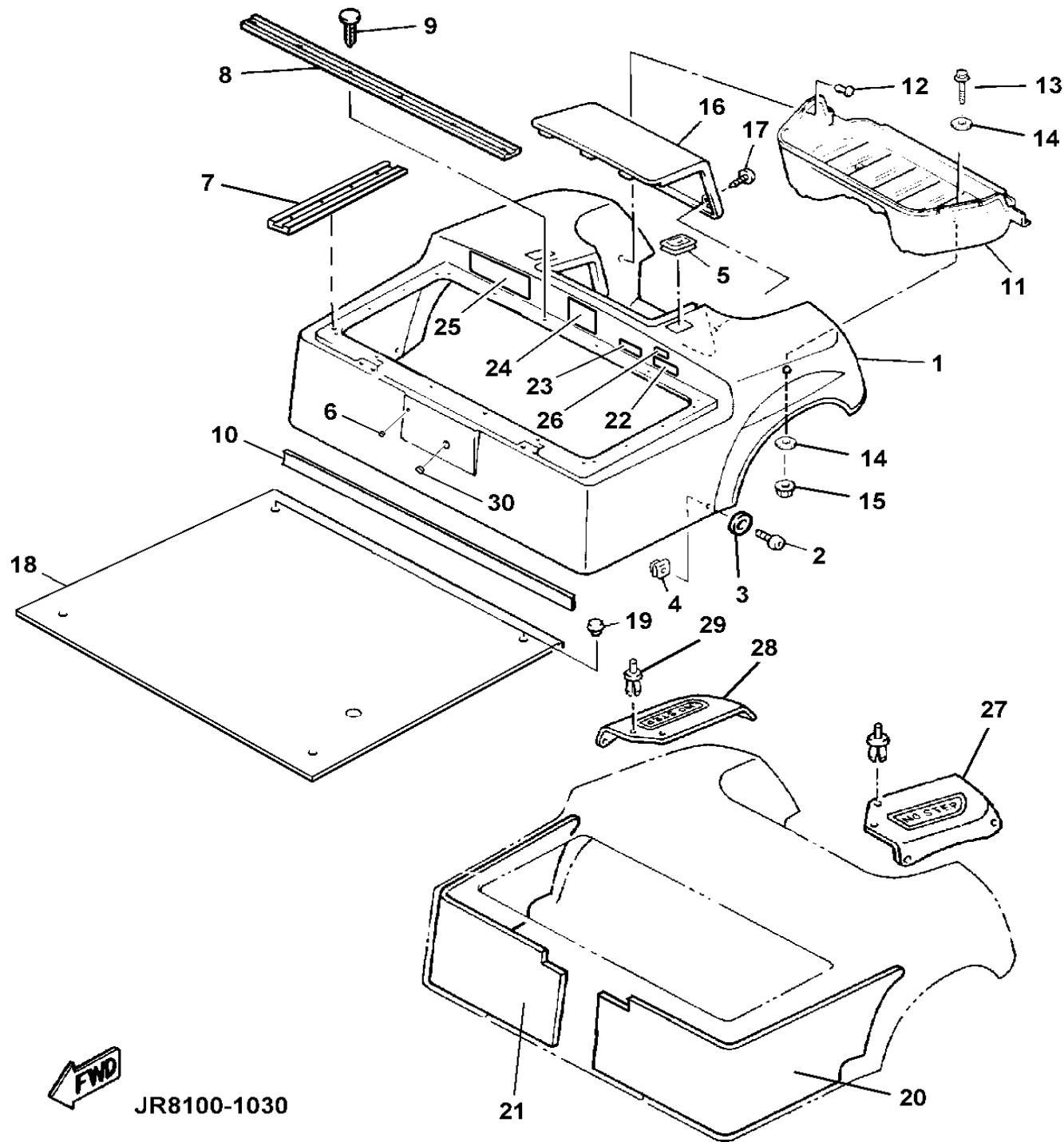
CONTINUED ON NEXT FRAME >

BODY 2

Ref. No.	Part Number	Description	Qty	Remarks
30	90338-25836-00	PLUG	1	

CONTENTS

ACCELERATOR	C1
AIR SHROUD FAN	A9
BODY 1	C11
BODY 2	D1-2
BODY FITTING	D3
BRAKE 1	B9-10
BRAKE 2	B11
BRAKE 3	B12
BUMPER	C10
CAMSHAFT VALVE	A8
CARBURETOR	A11
CARRIER	D4
CRANKCASE	B1
CRANKSHAFT PISTON	A7
CYLINDER HEAD	A6
ELECTRICAL 1	D9
ELECTRICAL 2	D10-11
ENGINE ASSEMBLY	A5
ENGINE MOUNT	B2
EXHAUST	A12
FRAME	B4
FRONT SEAT	D5
FRONT SUSPENSION WHEEL	B5-6
FUEL TANK	B8
GOVERNOR	C2
INTAKE	A10
INTERMEDIATE BODY	C12
OPTIONAL HUB CAPS	D12
OPTIONAL ORNAMENTAL PLATE	E3
OPTIONAL SUN ROOF	E2
OPTIONAL WINDSHIELD	E1
PRIMARY CLUTCH	C3
REAR ARM SUSPENSION	B3
REAR AXLE MOUNT WHEEL	C8
REAR SEAT	D6
SECONDARY SHEAVE	C4
SHIFTER CABLES	C9
STARTER GENERATOR	D7-8
STEERING	B7
TRANSMISSION 1	C5-7
-MODELS IN THIS CATALOG	E4



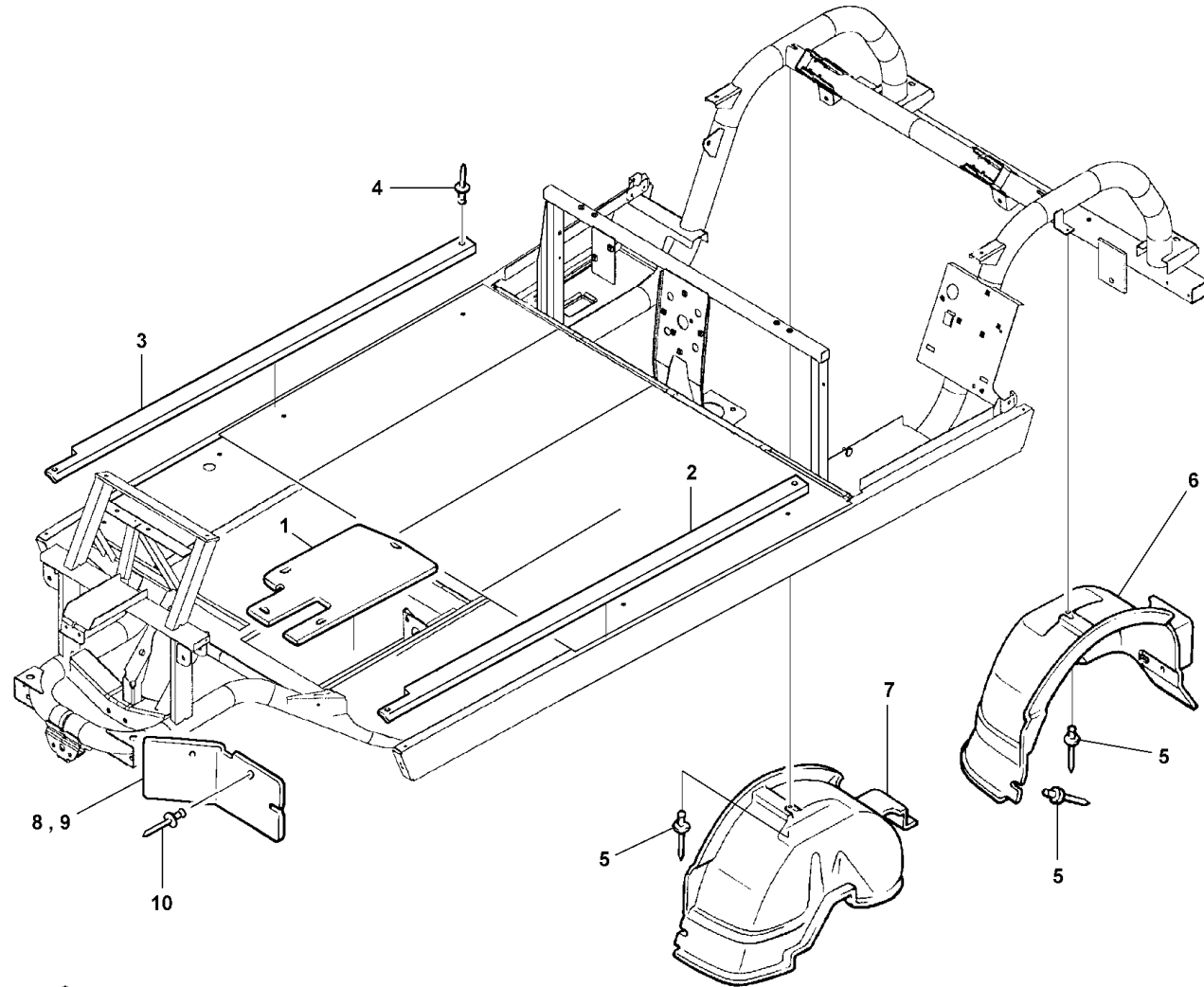
NOTE A: WHEN REPLACING PANEL REAR BODY (JN6K8142-00-00), YOU MUST ALSO REPLACE LABEL (JN6-H2377-00-00), PLATE CAUTION 3 (JN3-K8299-00-00) AND PLATE CAUTION 1 (JN3-K8297-10-00).

BODY FITTING

Ref. No.	Part Number	Description	Qty	Remarks
1	JN6-K8271-00-00	SERVICE LID	1	
2	JR8-K821F-01-00	PLATE, SIDE TRIM	1	
3	JR8-K8215-01-00	PLATE, SIDE TRIM	1	
4	90267-48154-00	RIVET, BLIND	6	
5	90267-48086-00	RIVET, BLIND	4	
6	JF2-K8191-00-00	PANEL, REAR FENDER	1	
7	JF2-K8192-00-00	PANEL, REAR FENDER	1	
8	JF2-K8187-00-00	FLAP, FRONT FENDER LEFT	1	
9	JF2-K8189-00-00	FLAP, FRONT FENDER RIGHT	1	
10	90267-48831-00	RIVET, BLIND (90267-48101-00)	4	

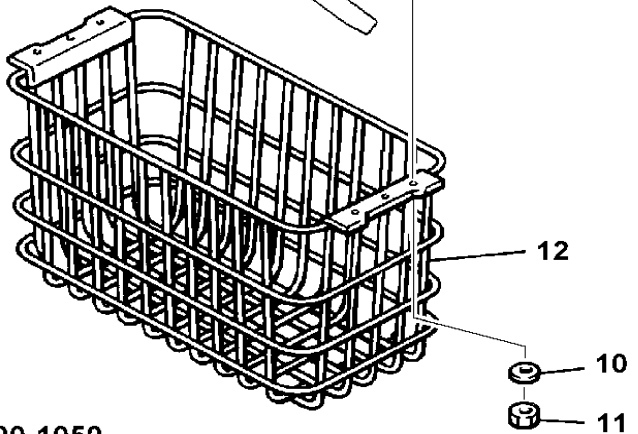
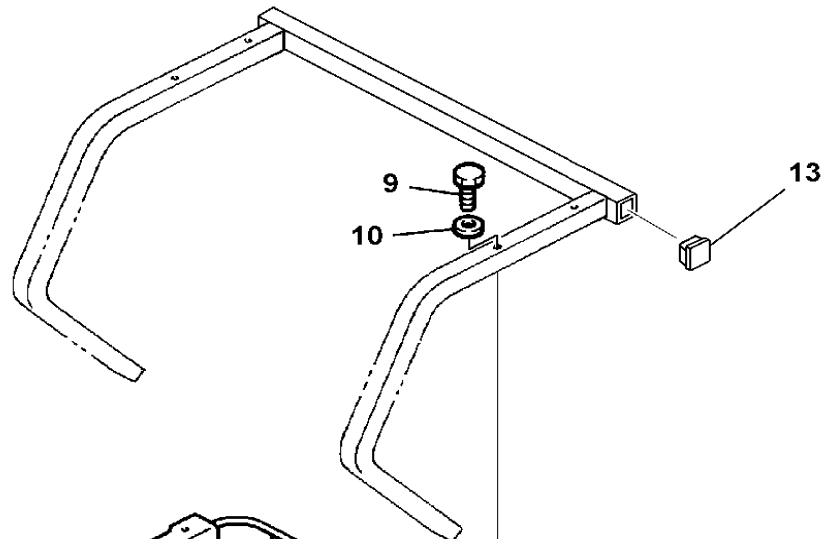
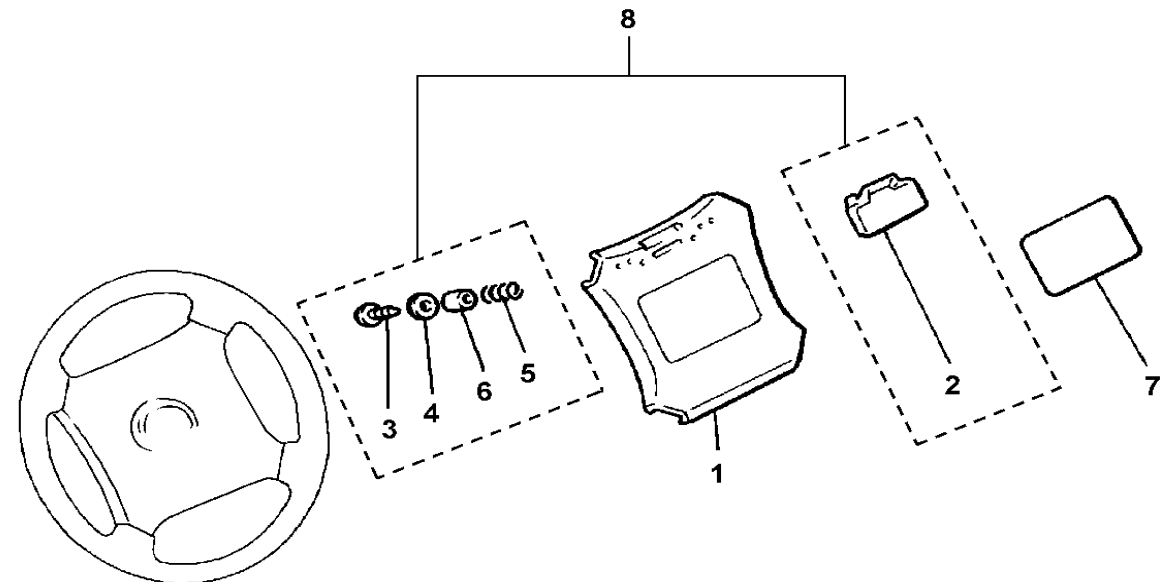
CONTENTS

ACCELERATOR	C1
AIR SHROUD FAN	A9
BODY 1	C11
BODY 2	D1-2
BODY FITTING	D3
BRAKE 1	B9-10
BRAKE 2	B11
BRAKE 3	B12
BUMPER	C10
CAMSHAFT VALVE	A8
CARBURETOR	A11
CARRIER	D4
CRANKCASE	B1
CRANKSHAFT PISTON	A7
CYLINDER HEAD	A6
ELECTRICAL 1	D9
ELECTRICAL 2	D10-11
ENGINE ASSEMBLY	A5
ENGINE MOUNT	B2
EXHAUST	A12
FRAME	B4
FRONT SEAT	D5
FRONT SUSPENSION WHEEL	B5-6
FUEL TANK	B8
GOVERNOR	C2
INTAKE	A10
INTERMEDIATE BODY	C12
OPTIONAL HUB CAPS	D12
OPTIONAL ORNAMENTAL PLATE	E3
OPTIONAL SUN ROOF	E2
OPTIONAL WINDSHIELD	E1
PRIMARY CLUTCH	C3
REAR ARM SUSPENSION	B3
REAR AXLE MOUNT WHEEL	C8
REAR SEAT	D6
SECONDARY SHEAVE	C4
SHIFTER CABLES	C9
STARTER GENERATOR	D7-8
STEERING	B7
TRANSMISSION 1	C5-7
-MODELS IN THIS CATALOG	E4



JR8100-1040

CARRIER



JR8100-1050

G20AU_AW_AX

Ref. No.	Part Number	Description	Qty	Remarks
1	JN3-K8357-00-00	HOLDER	1	INCLUDE LABEL WARNING 2
2	JN6-K8358-00-00	HOLDER, 2	1	
3	97707-40625-00	SCREW, PAN HEAD	2	
4	90201-044H9-00	WASHER, PLAIN	2	
5	90502-10013-00	SPRING, CONICAL	2	
6	90387-046N7-00	COLLAR	2	
7	JN3-K7762-01-00	LABEL, WARNING	1	MUST REPLACE WITH HOLDER 1
8	JN6-K8358-00-KT	SCOREBOARD HOLDER KIT ..	1	INCLUDES 2, 3, 4, 5 & 6
9	90111-08803-00	BOLT, HEX. SOCKET	2	
10	90201-08103-00	WASHER, PLAIN	4	
11	90185-08832-00	NUT, SELF-LOCKING	2	
12	JN3-K8340-00-00	LUGGAGE RACK	1	
13	5GU-F111A-00-00	END PLUG	2	

CONTENTS

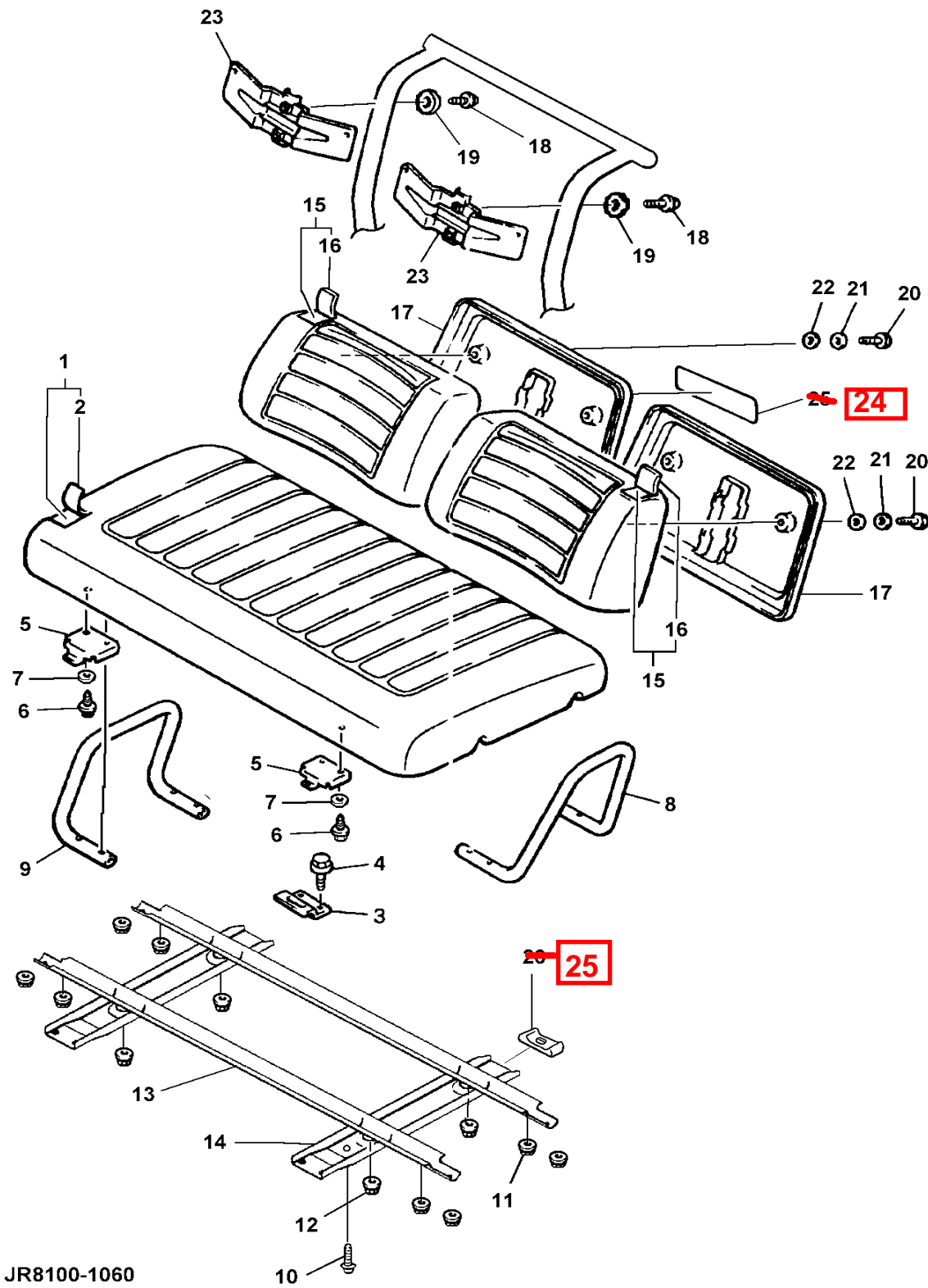
ACCELERATOR	C1
AIR SHROUD FAN	A9
BODY 1	C11
BODY 2	D1-2
BODY FITTING	D3
BRAKE 1	B9-10
BRAKE 2	B11
BRAKE 3	B12
BUMPER	C10
CAMSHAFT VALVE	A8
CARBURETOR	A11
CARRIER	D4
CRANKCASE	B1
CRANKSHAFT PISTON	A7
CYLINDER HEAD	A6
ELECTRICAL 1	D9
ELECTRICAL 2	D10-11
ENGINE ASSEMBLY	A5
ENGINE MOUNT	B2
EXHAUST	A12
FRAME	B4
FRONT SEAT	D5
FRONT SUSPENSION WHEEL	B5-6
FUEL TANK	B8
GOVERNOR	C2
INTAKE	A10
INTERMEDIATE BODY	C12
OPTIONAL HUB CAPS	D12
OPTIONAL ORNAMENTAL PLATE	E3
OPTIONAL SUN ROOF	E2
OPTIONAL WINDSHIELD	E1
PRIMARY CLUTCH	C3
REAR ARM SUSPENSION	B3
REAR AXLE MOUNT WHEEL	C8
REAR SEAT	D6
SECONDARY SHEAVE	C4
SHIFTER CABLES	C9
STARTER GENERATOR	D7-8
STEERING	B7
TRANSMISSION 1	C5-7
-MODELS IN THIS CATALOG	E4

FRONT SEAT

Ref. No.	Part Number	Description	Qty	Remarks
1	JN6-K8401-10-00	CUSHION, SEAT	1	
2	JN6-K8404-10-00	. COVER, SEAT	1	
3	JF2-K8427-00-00	HINGE, SEAT FEMALE	2	
4	90105-06903-00	BOLT, WASHER BASED	4	
5	JN3-K8426-01-00	HINGE, SEAT MALE	2	
6	90111-06810-00	BOLT, BUTTON	4	
7	90204-06870-00	WASHER, LOCK	4	
8	JN6-K8361-00-00	ARM REST 1	1	
9	JN6-K8362-00-00	ARM REST 2	1	
10	90167-04815-00	SCREW, P/H TAPPING	4	
11	90185-08839-00	NUT, SELF-LOCKING	8	
12	95617-08200-00	NUT, U-FLANGE (95607-08200-00)	4	
13	JN6-K8121-00-00	REINFORCEMENT 1	2	
14	JN6-K8122-01-00	REINFORCEMENT 2	2	
15	JN3-K8402-00-00	BACK, SEAT SUB	2	
16	JN3-K841G-09-00	. COVER, SEAT BACK 2	1	
17	JN3-K8413-00-00	COVER, SEAT BACK	2	REPLACE WITH WARNING LABEL 7
18	90111-08803-00	BOLT, HEX. SOCKET	4	
19	90201-098J4-00	WASHER, PLAIN	4	
20	95895-06025-00	BOLT, FLANGE	4	
21	90201-068G0-00	WASHER, PLAIN	4	
22	90201-068G6-00	WASHER, PLAIN	4	
23	JN3-K842H-00-00	RETAINER, SEAT	2	
24	JR8-K7767-00-00	LABEL, WARNING 7	1	INC. WHEN REPLACING COVER SEAT BACK
25	JR8-K8461-00-00	PROTECTOR 1	2	

CONTENTS

ACCELERATOR	C1
AIR SHROUD FAN	A9
BODY 1	C11
BODY 2	D1-2
BODY FITTING	D3
BRAKE 1	B9-10
BRAKE 2	B11
BRAKE 3	B12
BUMPER	C10
CAMSHAFT VALVE	A8
CARBURETOR	A11
CARRIER	D4
CRANKCASE	B1
CRANKSHAFT PISTON	A7
CYLINDER HEAD	A6
ELECTRICAL 1	D9
ELECTRICAL 2	D10-11
ENGINE ASSEMBLY	A5
ENGINE MOUNT	B2
EXHAUST	A12
FRAME	B4
FRONT SEAT	D5
FRONT SUSPENSION WHEEL	B5-6
FUEL TANK	B8
GOVERNOR	C2
INTAKE	A10
INTERMEDIATE BODY	C12
OPTIONAL HUB CAPS	D12
OPTIONAL ORNAMENTAL PLATE	E3
OPTIONAL SUN ROOF	E2
OPTIONAL WINDSHIELD	E1
PRIMARY CLUTCH	C3
REAR ARM SUSPENSION	B3
REAR AXLE MOUNT WHEEL	C8
REAR SEAT	D6
SECONDARY SHEAVE	C4
SHIFTER CABLES	C9
STARTER GENERATOR	D7-8
STEERING	B7
TRANSMISSION 1	C5-7
-MODELS IN THIS CATALOG	E4

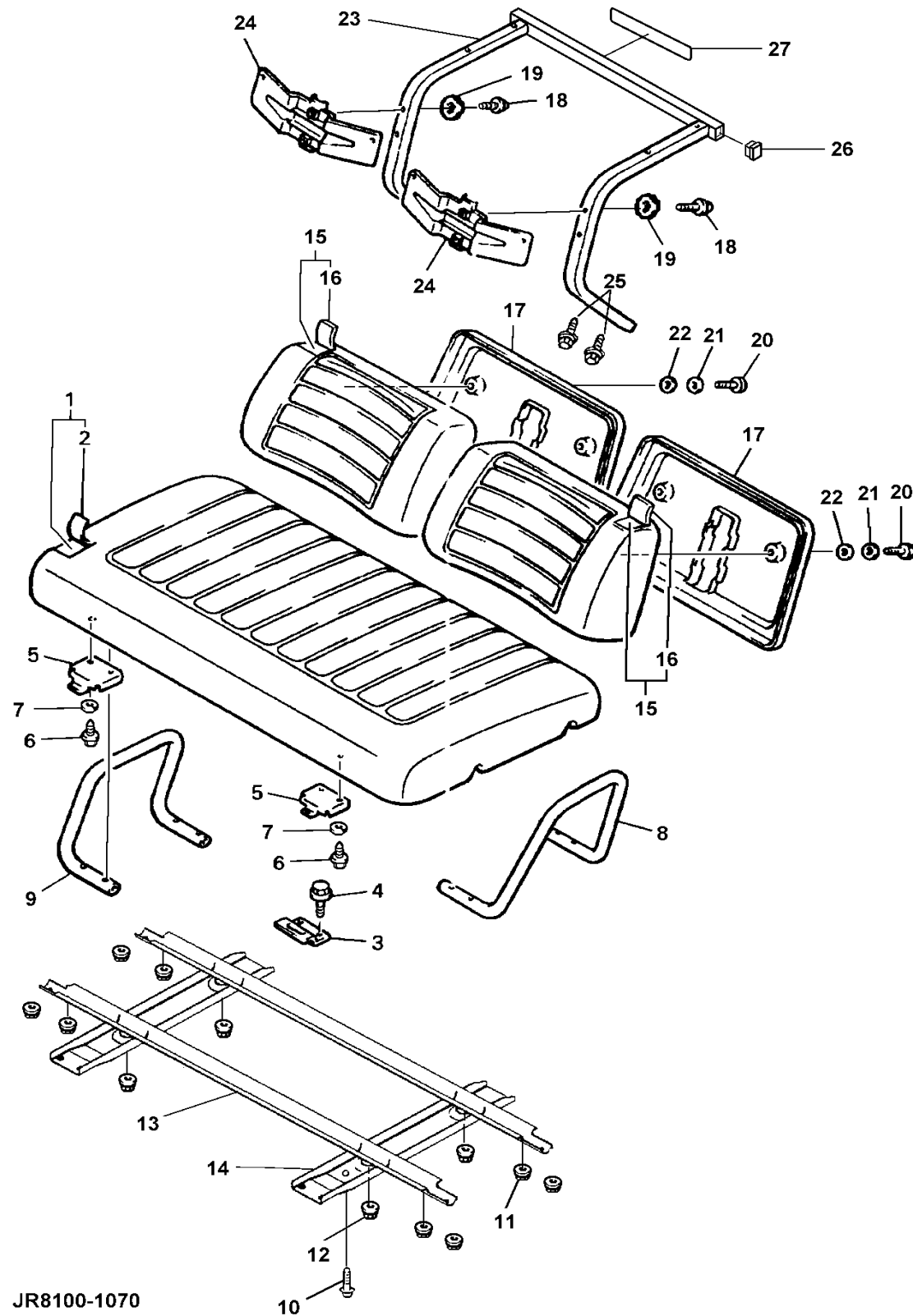


REAR SEAT

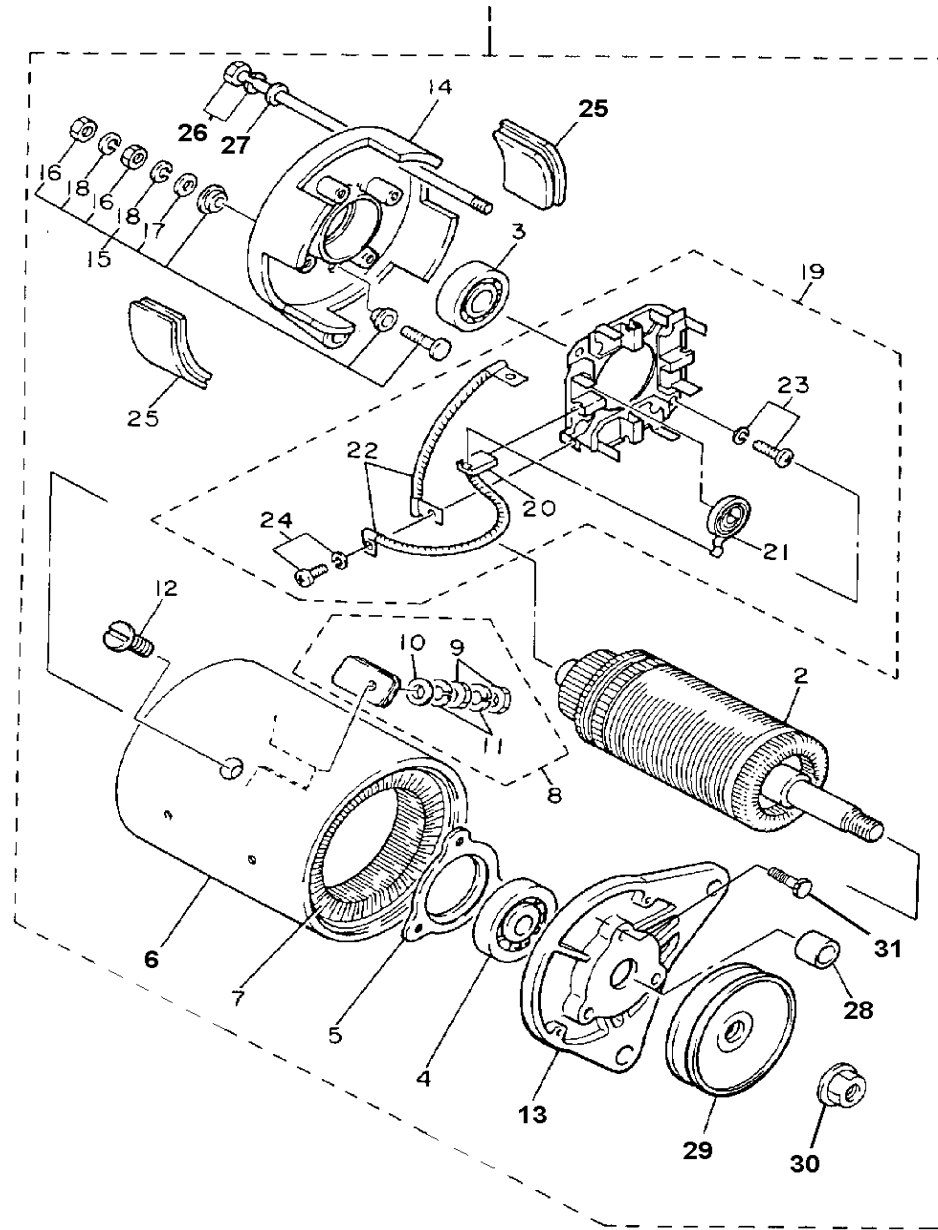
Ref. No.	Part Number	Description	Qty	Remarks
1	JN6-K8401-10-00	CUSHION, SEAT	1	
2	JN6-K8404-10-00	COVER, SEAT	1	
3	JF2-K8427-00-00	HINGE, SEAT FEMALE	2	
4	90105-06903-00	BOLT, WASHER BASED	4	
5	JN3-K8426-01-00	HINGE, SEAT MALE	2	
6	90111-06810-00	BOLT, BUTTON	4	
7	90204-06870-00	WASHER, LOCK	4	
8	JR8-K836L-00-00	ARM REST 3	1	
9	JN6-K8362-00-00	ARM REST 2	1	
10	90167-04815-00	SCREW, P/H TAPPING	4	
11	90185-08839-00	NUT, SELF-LOCKING	8	
12	95617-08200-00	NUT, U-FLANGE (95607-08200-00)	4	
13	JN6-K8121-00-00	REINFORCEMENT 1	2	
14	JN6-K8122-01-00	REINFORCEMENT 2	2	
15	JN3-K8402-00-00	BACK, SEAT SUB	2	
16	JN3-K841G-09-00	COVER, SEAT BACK 2	1	
17	JN3-K8413-00-00	COVER, SEAT BACK	2	
18	90119-08820-00	BOLT, HEX WITH WASHER	4	
19	90201-098J4-00	WASHER, PLAIN	4	
20	95895-06025-00	BOLT, FLANGE	4	
21	90201-068G0-00	WASHER, PLAIN	4	
22	90201-068G6-00	WASHER, PLAIN	4	
23	JR8-K8423-00-00	SUPPORT, SEAT BACK	1	ALSO REPLACE LABEL WARNING 6
24	JN3-K842H-00-00	RETAINER, SEAT	2	
25	95817-08045-00	BOLT, FLANGE	4	
26	5FU-F111A-00-00	CAP, MAIN PIPE	2	
27	JR8-K7766-00-00	WARNING, LABEL 6	1	REPLACE WITH SUPPORT SEAT BACK

CONTENTS

ACCELERATOR	C1
AIR SHROUD FAN	A9
BODY 1	C11
BODY 2	D1-2
BODY FITTING	D3
BRAKE 1	B9-10
BRAKE 2	B11
BRAKE 3	B12
BUMPER	C10
CAMSHAFT VALVE	A8
CARBURETOR	A11
CARRIER	D4
CRANKCASE	B1
CRANKSHAFT PISTON	A7
CYLINDER HEAD	A6
ELECTRICAL 1	D9
ELECTRICAL 2	D10-11
ENGINE ASSEMBLY	A5
ENGINE MOUNT	B2
EXHAUST	A12
FRAME	B4
FRONT SEAT	D5
FRONT SUSPENSION WHEEL	B5-6
FUEL TANK	B8
GOVERNOR	C2
INTAKE	A10
INTERMEDIATE BODY	C12
OPTIONAL HUB CAPS	D12
OPTIONAL ORNAMENTAL PLATE	E3
OPTIONAL SUN ROOF	E2
OPTIONAL WINDSHIELD	E1
PRIMARY CLUTCH	C3
REAR ARM SUSPENSION	B3
REAR AXLE MOUNT WHEEL	C8
REAR SEAT	D6
SECONDARY SHEAVE	C4
SHIFTER CABLES	C9
STARTER GENERATOR	D7-8
STEERING	B7
TRANSMISSION 1	C5-7
-MODELS IN THIS CATALOG	E4



STARTER GENERATOR



Ref. No.	Part Number	Description	Qty	Remarks
1	JN6-H1100-02-00	STARTER GENERATOR	1	
2	JN3-H1150-00-00	. ARMATURE ASSEMBLY	1	
3	93306-20226-00	. BEARING 1 (6202 SD)	1	
4	J10-81158-10-00	. BEARING 2 (6203 SD)	1	
5	J10-81159-10-00	. HOLDER, BEARING	1	
6	JN6-H1110-10-00	. STATOR ASSY	1	
7	JN6-H1160-10-00	. FIELD COIL ASSY	1	
8	J10-81148-10-00	. SCREW	2	
9	95380-06600-00	. NUT	4	
10	92990-06600-00	. WASHER, PLATE	2	
11	92995-06100-00	. WASHER, SPRING	4	
12	J10-81146-10-00	. SCREW	4	
13	J38-81146-10-00	. BRACKET, STARTER GENERATOR 1	1	
14	J10-81166-10-00	. BRACKET, STARTER GENERATOR 2	1	
15	J10-81147-10-00	. SCREW	2	
16	95380-06600-00	. NUT	4	
17	92990-06600-00	. WASHER, PLATE	2	
18	92995-06100-00	. WASHER, SPRING	4	
19	JF2-81119-00-00	. BRUSH HOLDER ASSEMBLY	1	
20	JF2-81111-00-00	. BRUSH	4	
21	J38-81113-10-00	. SPRING, BRUSH	4	
22	J10-81115-10-00	. WIRE, LEAD	2	
23	98507-05016-00	. SCREW, PAN HEAD	2	
24	98580-04010-00	. SCREW, PAN HEAD	4	
25	J10-81129-10-00	. COVER, BRUSH	4	
26	J10-81145-10-00	. SCREW	2	
27	92990-06600-00	. WASHER, PLATE	2	
28	JN3-H1661-00-00	. SPACER	1	
29	JN3-H1161-00-00	. PULLEY	2	

CONTENTS

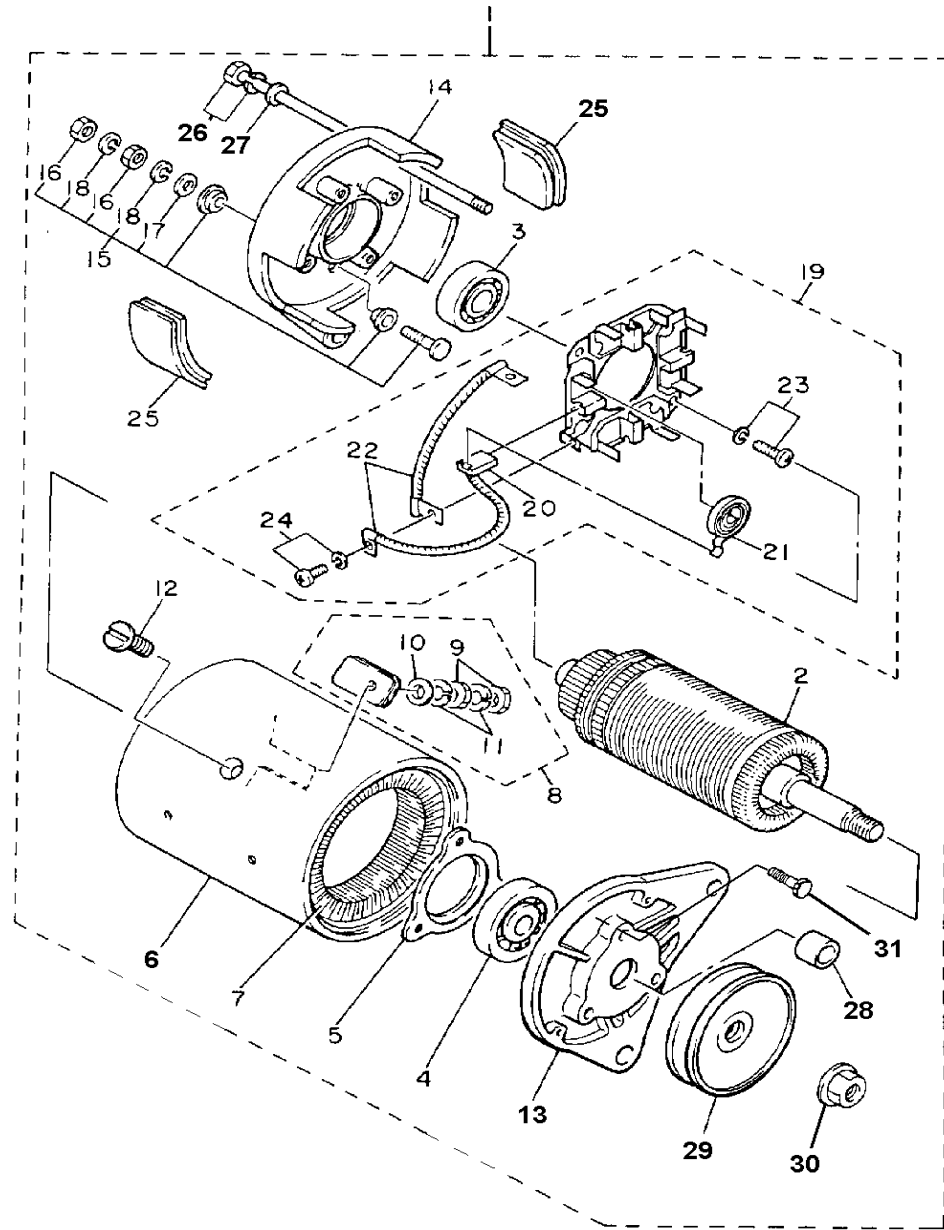
ACCELERATOR	C1
AIR SHROUD FAN	A9
BODY 1	C11
BODY 2	D1-2
BODY FITTING	D3
BRAKE 1	B9-10
BRAKE 2	B11
BRAKE 3	B12
BUMPER	C10
CAMSHAFT VALVE	A8
CARBURETOR	A11
CARRIER	D4
CRANKCASE	B1
CRANKSHAFT PISTON	A7
CYLINDER HEAD	A6
ELECTRICAL 1	D9
ELECTRICAL 2	D10-11
ENGINE ASSEMBLY	A5
ENGINE MOUNT	B2
EXHAUST	A12
FRAME	B4
FRONT SEAT	D5
FRONT SUSPENSION WHEEL	B5-6
FUEL TANK	B8
GOVERNOR	C2
INTAKE	A10
INTERMEDIATE BODY	C12
OPTIONAL HUB CAPS	D12
OPTIONAL ORNAMENTAL PLATE	E3
OPTIONAL SUN ROOF	E2
OPTIONAL WINDSHIELD	E1
PRIMARY CLUTCH	C3
REAR ARM SUSPENSION	B3
REAR AXLE MOUNT WHEEL	C8
REAR SEAT	D6
SECONDARY SHEAVE	C4
SHIFTER CABLES	C9
STARTER GENERATOR	D7-8
STEERING	B7
TRANSMISSION 1	C5-7
-MODELS IN THIS CATALOG	E4

CONTINUED ON NEXT FRAME ►



JN6100-6231

STARTER GENERATOR



Ref. No.	Part Number	Description	Qty	Remarks
30	90179-16889-00	. NUT, FLANGE	1	
31	98507-05018-00	. SCREW, PAN HEAD	3	

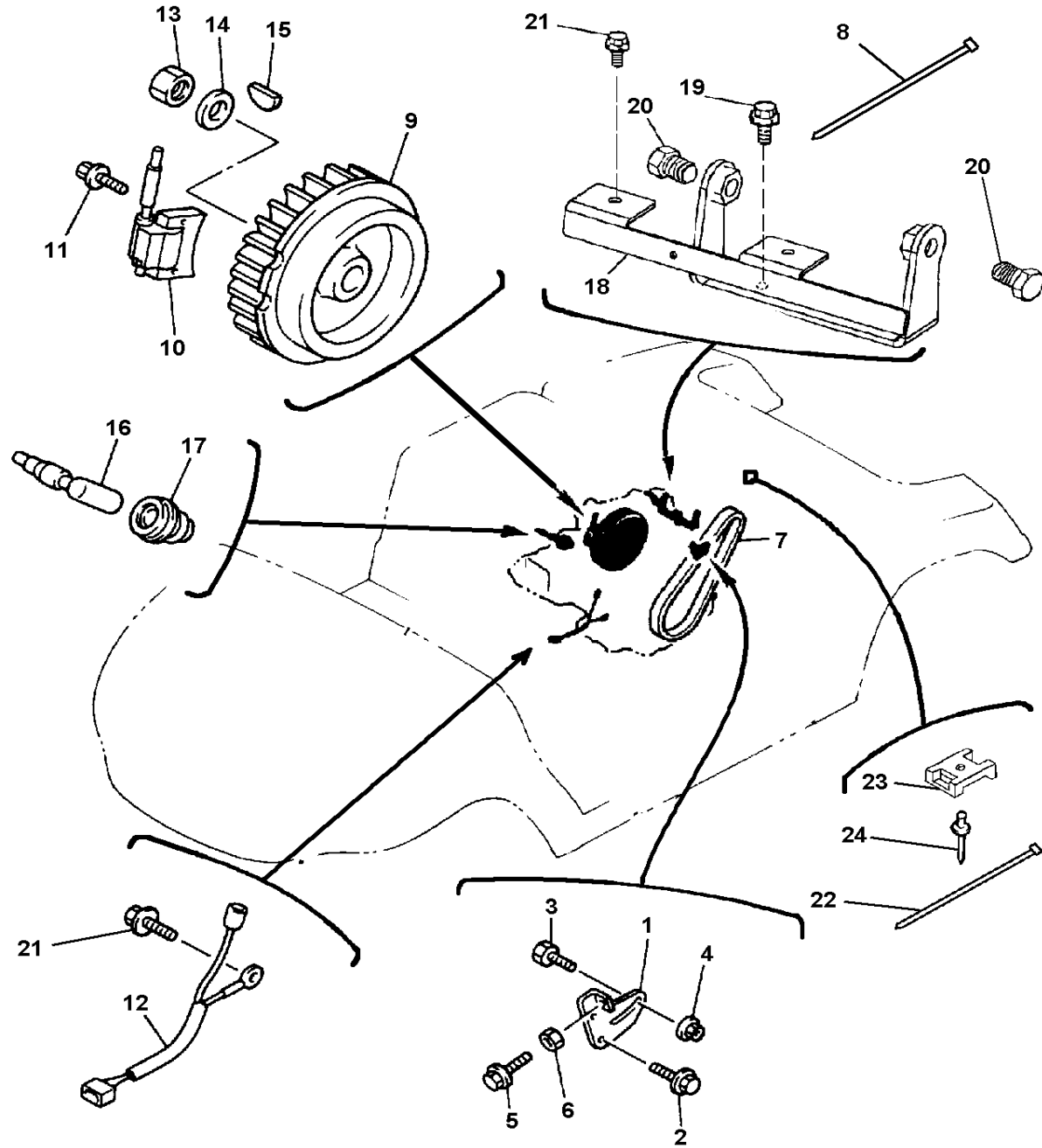
CONTENTS

ACCELERATOR	C1
AIR SHROUD FAN	A9
BODY 1	C11
BODY 2	D1-2
BODY FITTING	D3
BRAKE 1	B9-10
BRAKE 2	B11
BRAKE 3	B12
BUMPER	C10
CAMSHAFT VALVE	A8
CARBURETOR	A11
CARRIER	D4
CRANKCASE	B1
CRANKSHAFT PISTON	A7
CYLINDER HEAD	A6
ELECTRICAL 1	D9
ELECTRICAL 2	D10-11
ENGINE ASSEMBLY	A5
ENGINE MOUNT	B2
EXHAUST	A12
FRAME	B4
FRONT SEAT	D5
FRONT SUSPENSION WHEEL	B5-6
FUEL TANK	B8
GOVERNOR	C2
INTAKE	A10
INTERMEDIATE BODY	C12
OPTIONAL HUB CAPS	D12
OPTIONAL ORNAMENTAL PLATE	E3
OPTIONAL SUN ROOF	E2
OPTIONAL WINDSHIELD	E1
PRIMARY CLUTCH	C3
REAR ARM SUSPENSION	B3
REAR AXLE MOUNT WHEEL	C8
REAR SEAT	D6
SECONDARY SHEAVE	C4
SHIFTER CABLES	C9
STARTER GENERATOR	D7-8
STEERING	B7
TRANSMISSION 1	C5-7
-MODELS IN THIS CATALOG	E4



JN6100-6231

ELECTRICAL 1



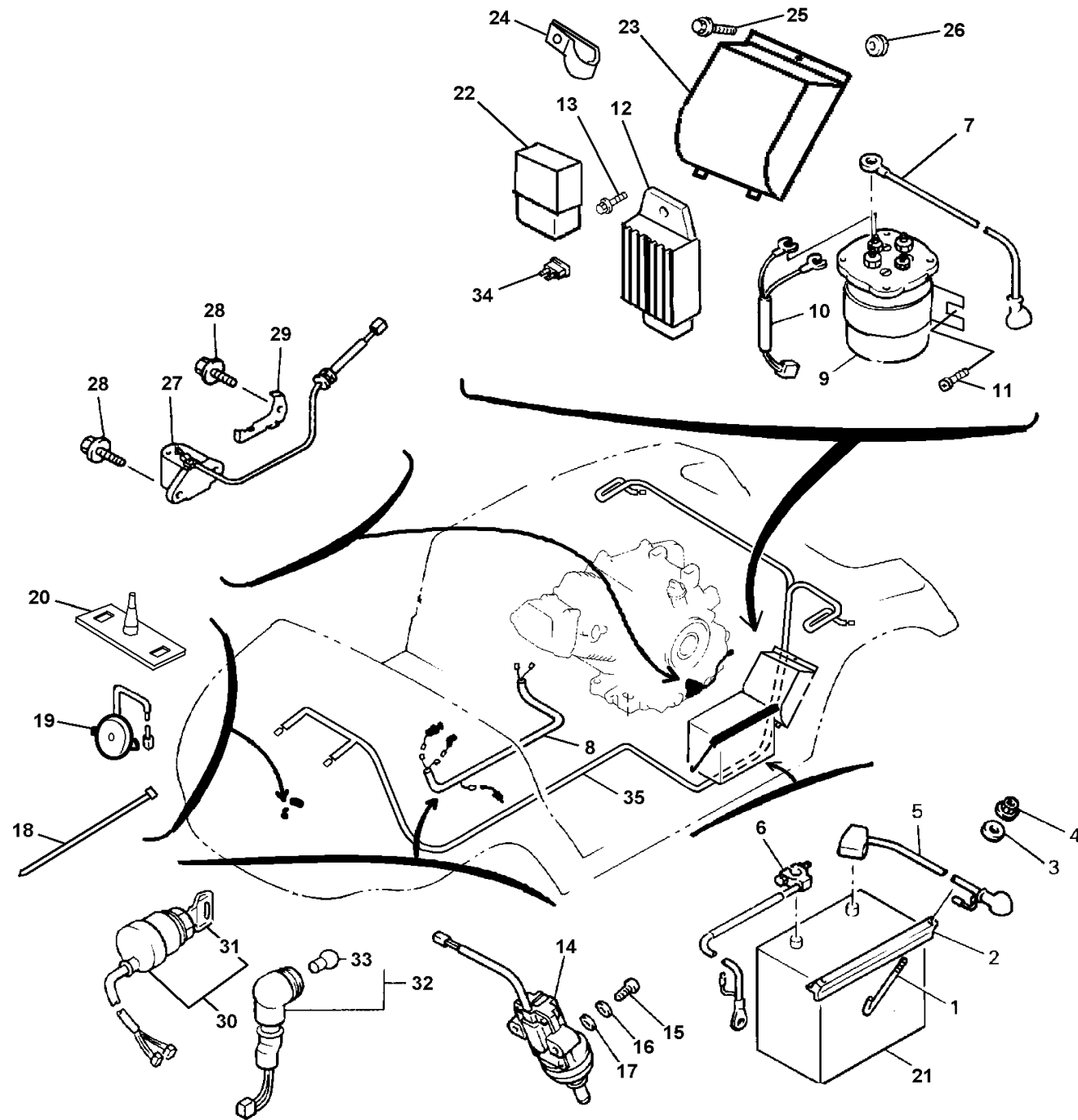
Ref. No.	Part Number	Description	Qty	Remarks
1	JN6-H1170-00-00	TENSIONER ASSEMBLY	1	
2	95817-08020-00	BOLT, FLANGE	2	
3	90109-087A5-00	BOLT	1	
4	95707-08500-00	NUT, FLANGE	1	
5	90101-06055-00	BOLT	1	
6	95317-06600-00	NUT (95307-06600-00)	1	
7	JN6-H1173-00-00	BELT	1	
8	90464-09823-00	CLAMP	1	
9	JN6-85650-00-00	ROTOR ASSY	1	
10	JN6-85640-00-00	T.C.I. UNIT	1	
11	95817-06025-00	BOLT, FLANGE	2	
12	JN6-82318-00-00	WIRE, SUB-LEAD	1	
13	95307-18600-00	NUT, HEX	1	
14	90201-18620-00	WASHER, PLAIN	1	
15	90280-04052-00	KEY, WOODRUFF	1	
16	85G-82370-20-00	PLUG CAP ASSEMBLY	1	
17	JE8-82372-00-00	SEAL, PLUG CAP	1	
18	JN6-H1171-00-00	BRACKET, STARTER GENERATOR	1	
19	95817-08020-00	BOLT, FLANGE	2	
20	95817-12025-00	BOLT, FLANGE	2	
21	95817-06016-00	BOLT, FLANGE	3	
22	90464-40825-00	CLAMP	2	
23	90207-05800-00	WASHER, FINISH	1	
24	90267-48838-00	RIVET	1	

CONTENTS

ACCELERATOR	C1
AIR SHROUD FAN	A9
BODY 1	C11
BODY 2	D1-2
BODY FITTING	D3
BRAKE 1	B9-10
BRAKE 2	B11
BRAKE 3	B12
BUMPER	C10
CAMSHAFT VALVE	A8
CARBURETOR	A11
CARRIER	D4
CRANKCASE	B1
CRANKSHAFT PISTON	A7
CYLINDER HEAD	A6
ELECTRICAL 1	D9
ELECTRICAL 2	D10-11
ENGINE ASSEMBLY	A5
ENGINE MOUNT	B2
EXHAUST	A12
FRAME	B4
FRONT SEAT	D5
FRONT SUSPENSION WHEEL	B5-6
FUEL TANK	B8
GOVERNOR	C2
INTAKE	A10
INTERMEDIATE BODY	C12
OPTIONAL HUB CAPS	D12
OPTIONAL ORNAMENTAL PLATE	E3
OPTIONAL SUN ROOF	E2
OPTIONAL WINDSHIELD	E1
PRIMARY CLUTCH	C3
REAR ARM SUSPENSION	B3
REAR AXLE MOUNT WHEEL	C8
REAR SEAT	D6
SECONDARY SHEAVE	C4
SHIFTER CABLES	C9
STARTER GENERATOR	D7-8
STEERING	B7
TRANSMISSION 1	C5-7
-MODELS IN THIS CATALOG	E4

JN6100-6240

ELECTRICAL 2



Ref. No.	Part Number	Description	Qty	Remarks
1	JN3-H2133-00-00	SCREW, FITTING	2	
2	J55-H2136-00-00	PLATE, BATTERY	1	
3	92907-06200-00	WASHER	2	
4	95707-06500-00	NUT, FLANGE	2	
5	JN6-H2115-01-00	WIRE, PLUS LEAD	1	
6	JN6-H2116-01-00	WIRE, MINUS LEAD	1	
7	JN6-H2117-00-00	WIRE, LEAD	1	
8	JR8-H2590-00-00	WIRE, HARNESS	1	INCLUDE REF. # #34 FUSE
9	JF2-H1950-00-00	RELAY ASSEMBLY	1	
10	JN6-H2105-00-00	WIRE HARNESS	1	
11	90163-06005-00	SCREW, HEX T	2	
12	JF2-81910-01-00	VOLTAGE REGULATOR ASSY	1	
13	95817-06016-00	BOLT, FLANGE	1	
14	JF7-82817-20-00	SWITCH, ACCELERATOR STOP	1	
15	98507-05025-00	SCREW, PAN HEAD	2	
16	92907-05100-00	WASHER, SPRING	2	
17	92907-05600-00	WASHER, PLATE	2	
18	90464-31827-00	CLAMP	4	
19	JR1-H3383-01-00	BUZZER	1	
20	JN6-H3386-00-00	STAY, BUZZER	1	
21	JG5-H2110-01-00	BATTERY (GRP 24, 12V, 400CCA)	1	OBTAIN LOCALLY
22	4U8-81950-02-00	RELAY ASSY	1	
23	JN6-H1942-00-00	COVER	1	
24	90461-16802-00	CLAMP	1	
25	95817-06016-00	BOLT, FLANGE	2	
26	90480-25856-00	GROMMET	1	
27	JN6-85720-12-00	OIL LEVEL GAUGE	1	
28	95817-06012-00	BOLT, FLANGE	4	
29	JN6-85724-00-00	CLAMP, OIL LEVEL	1	

CONTENTS

ACCELERATOR	C1
AIR SHROUD FAN	A9
BODY 1	C11
BODY 2	D1-2
BODY FITTING	D3
BRAKE 1	B9-10
BRAKE 2	B11
BRAKE 3	B12
BUMPER	C10
CAMSHAFT VALVE	A8
CARBURETOR	A11
CARRIER	D4
CRANKCASE	B1
CRANKSHAFT PISTON	A7
CYLINDER HEAD	A6
ELECTRICAL 1	D9
ELECTRICAL 2	D10-11
ENGINE ASSEMBLY	A5
ENGINE MOUNT	B2
EXHAUST	A12
FRAME	B4
FRONT SEAT	D5
FRONT SUSPENSION WHEEL	B5-6
FUEL TANK	B8
GOVERNOR	C2
INTAKE	A10
INTERMEDIATE BODY	C12
OPTIONAL HUB CAPS	D12
OPTIONAL ORNAMENTAL PLATE	E3
OPTIONAL SUN ROOF	E2
OPTIONAL WINDSHIELD	E1
PRIMARY CLUTCH	C3
REAR ARM SUSPENSION	B3
REAR AXLE MOUNT WHEEL	C8
REAR SEAT	D6
SECONDARY SHEAVE	C4
SHIFTER CABLES	C9
STARTER GENERATOR	D7-8
STEERING	B7
TRANSMISSION 1	C5-7
-MODELS IN THIS CATALOG	E4



JR8100-1080

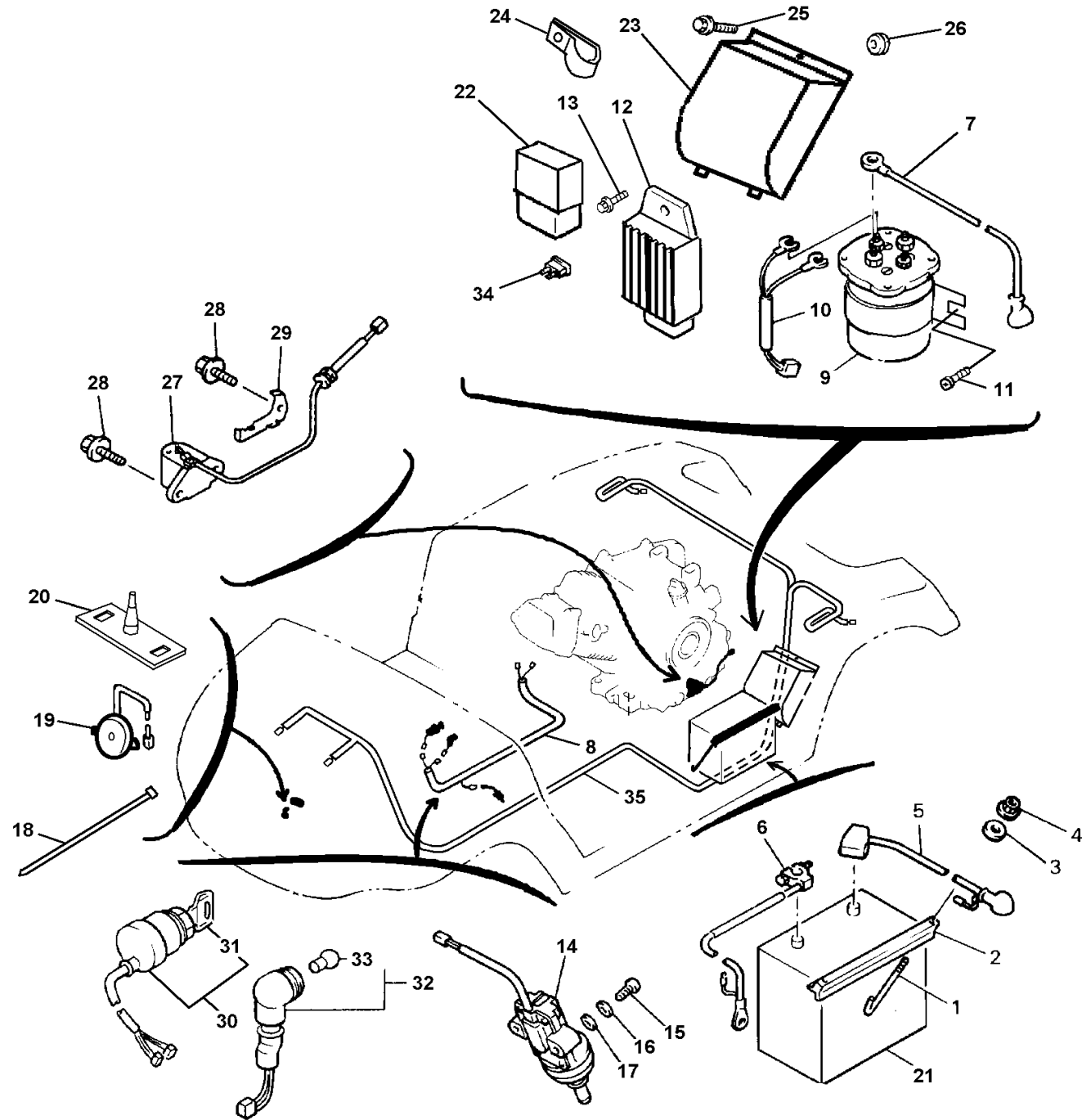
CONTINUED ON NEXT FRAME >

ELECTRICAL 2

Ref. No.	Part Number	Description	Qty	Remarks
30	JN8-82510-02-00	MAIN SWITCH	1	COMMON KEY SWITCH
31	J44-82511-00-YY	. KEY, MAIN SWITCH (J44-82511-00-00)	1	
32	JN6-83530-00-00	PILOT LIGHT A	1	
33	123-83516-21-XX	. BULB (12V-3.4W)	1	
34	42X-82151-00-00	FUSE	1	
35	JR8-H259L-00-00	WIRE, HARNESS ASSY 1	1	

CONTENTS

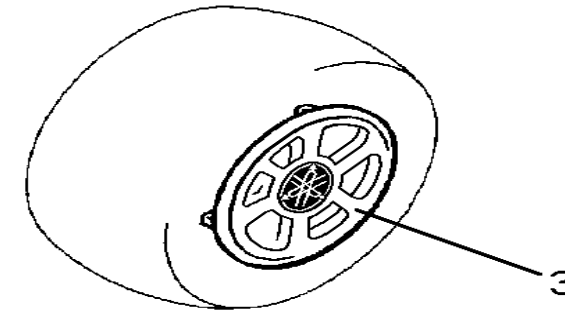
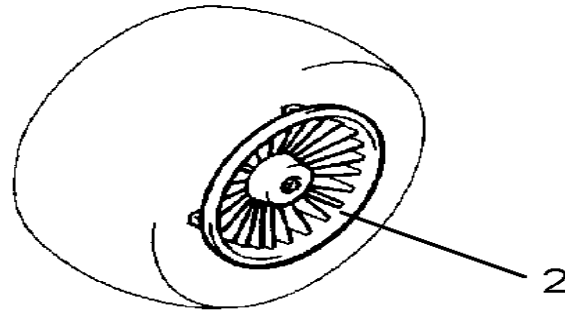
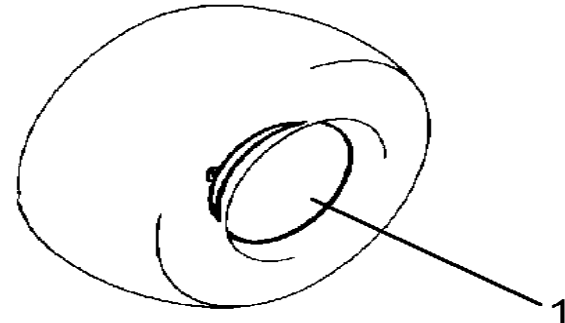
ACCELERATOR	C1
AIR SHROUD FAN	A9
BODY 1	C11
BODY 2	D1-2
BODY FITTING	D3
BRAKE 1	B9-10
BRAKE 2	B11
BRAKE 3	B12
BUMPER	C10
CAMSHAFT VALVE	A8
CARBURETOR	A11
CARRIER	D4
CRANKCASE	B1
CRANKSHAFT PISTON	A7
CYLINDER HEAD	A6
ELECTRICAL 1	D9
ELECTRICAL 2	D10-11
ENGINE ASSEMBLY	A5
ENGINE MOUNT	B2
EXHAUST	A12
FRAME	B4
FRONT SEAT	D5
FRONT SUSPENSION WHEEL	B5-6
FUEL TANK	B8
GOVERNOR	C2
INTAKE	A10
INTERMEDIATE BODY	C12
OPTIONAL HUB CAPS	D12
OPTIONAL ORNAMENTAL PLATE	E3
OPTIONAL SUN ROOF	E2
OPTIONAL WINDSHIELD	E1
PRIMARY CLUTCH	C3
REAR ARM SUSPENSION	B3
REAR AXLE MOUNT WHEEL	C8
REAR SEAT	D6
SECONDARY SHEAVE	C4
SHIFTER CABLES	C9
STARTER GENERATOR	D7-8
STEERING	B7
TRANSMISSION 1	C5-7
-MODELS IN THIS CATALOG	E4



JR8100-1080

OPTIONAL HUB CAPS

Ref. No.	Part Number	Description	Qty	Remarks
1	JG5-F512L-00-00	HUB CAP, PLAIN	4	COMES WITH CLIPS
2	JG5-F512M-00-00	HUB CAP, MAG-STYLE	4	COMES WITH CLIPS
3	JN6-HUBCP-TF-00	HUB-CAP, TUNING FORK	4	COMES WITH CLIPS

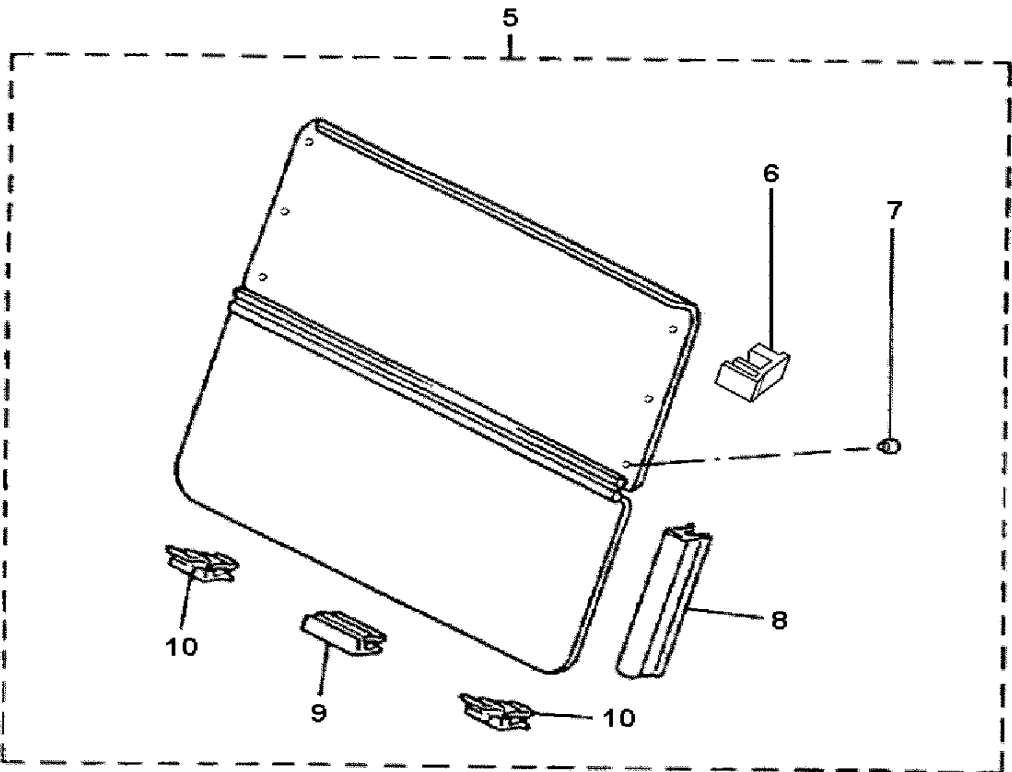
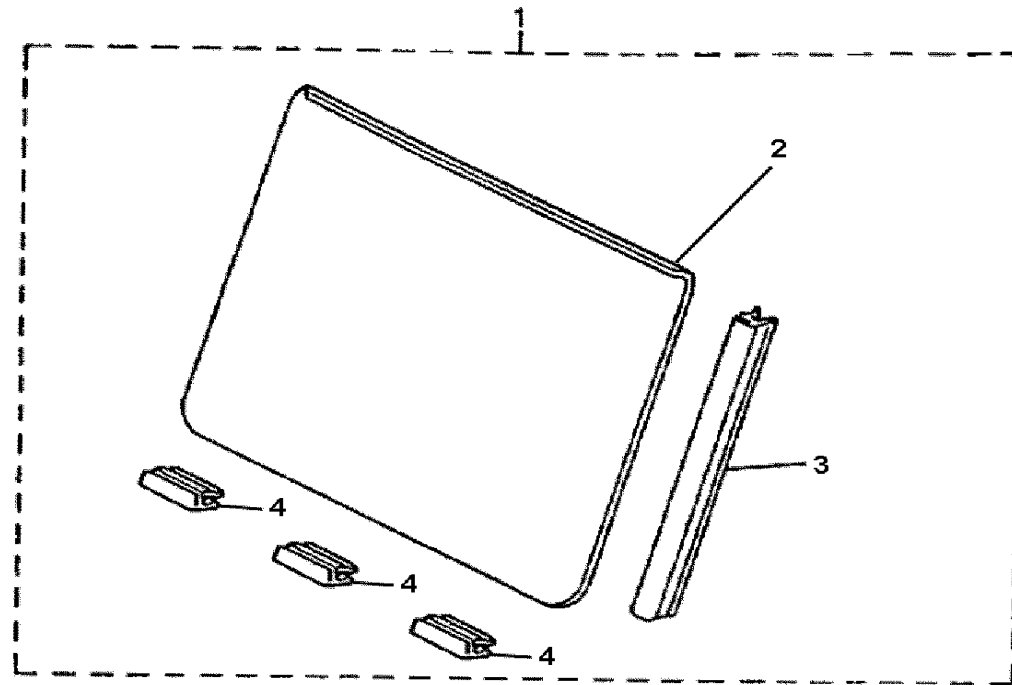


CONTENTS

ACCELERATOR	C1
AIR SHROUD FAN	A9
BODY 1	C11
BODY 2	D1-2
BODY FITTING	D3
BRAKE 1	B9-10
BRAKE 2	B11
BRAKE 3	B12
BUMPER	C10
CAMSHAFT VALVE	A8
CARBURETOR	A11
CARRIER	D4
CRANKCASE	B1
CRANKSHAFT PISTON	A7
CYLINDER HEAD	A6
ELECTRICAL 1	D9
ELECTRICAL 2	D10-11
ENGINE ASSEMBLY	A5
ENGINE MOUNT	B2
EXHAUST	A12
FRAME	B4
FRONT SEAT	D5
FRONT SUSPENSION WHEEL	B5-6
FUEL TANK	B8
GOVERNOR	C2
INTAKE	A10
INTERMEDIATE BODY	C12
OPTIONAL HUB CAPS	D12
OPTIONAL ORNAMENTAL PLATE	E3
OPTIONAL SUN ROOF	E2
OPTIONAL WINDSHIELD	E1
PRIMARY CLUTCH	C3
REAR ARM SUSPENSION	B3
REAR AXLE MOUNT WHEEL	C8
REAR SEAT	D6
SECONDARY SHEAVE	C4
SHIFTER CABLES	C9
STARTER GENERATOR	D7-8
STEERING	B7
TRANSMISSION 1	C5-7
-MODELS IN THIS CATALOG	E4

 JN6100-6261

OPTIONAL WINDSHIELD



JN3100-6371

Ref. No.	Part Number	Description	Qty	Remarks
1	JN3-K7200-01-00	WINDSHIELD ASSEMBLY (ONE PIECE, CLEAR)	1	UR, AP
2	JN3-K7211-10-00	WINDSHIELD (ONE PIECE, TINTED)	1	UR, AP
3	JU0-K838C-00-00	. HOLDER SHIELD	2	
4	JU0-K722A-01-00	. FASTENER	3	
5	JN3-K7200-22-00	WINDSHIELD ASSEMBLY (HINGED, CLEAR)	1	UR, AP
	JN3-K7200-32-00	WINDSHIELD ASSEMBLY (HINGED, TINTED)	1	UR, AP
6	ACC-CCGLU-ES-ET	HINGED WINDOW MTG BRACKET	1	REPLACES OLD STYLE LATCH FOR HINGED WINDSHIELDS
7	JN3-K7238-00-00	. DAMPER, WINDSHIELD	6	
8	JU0-K838B-00-00	. RETAINER 2	2	
9	JU0-K722A-01-00	. FASTENER	1	
10	JU0-K7222-01-00	. BRACKET, WINDSHIELD	2	

CONTENTS

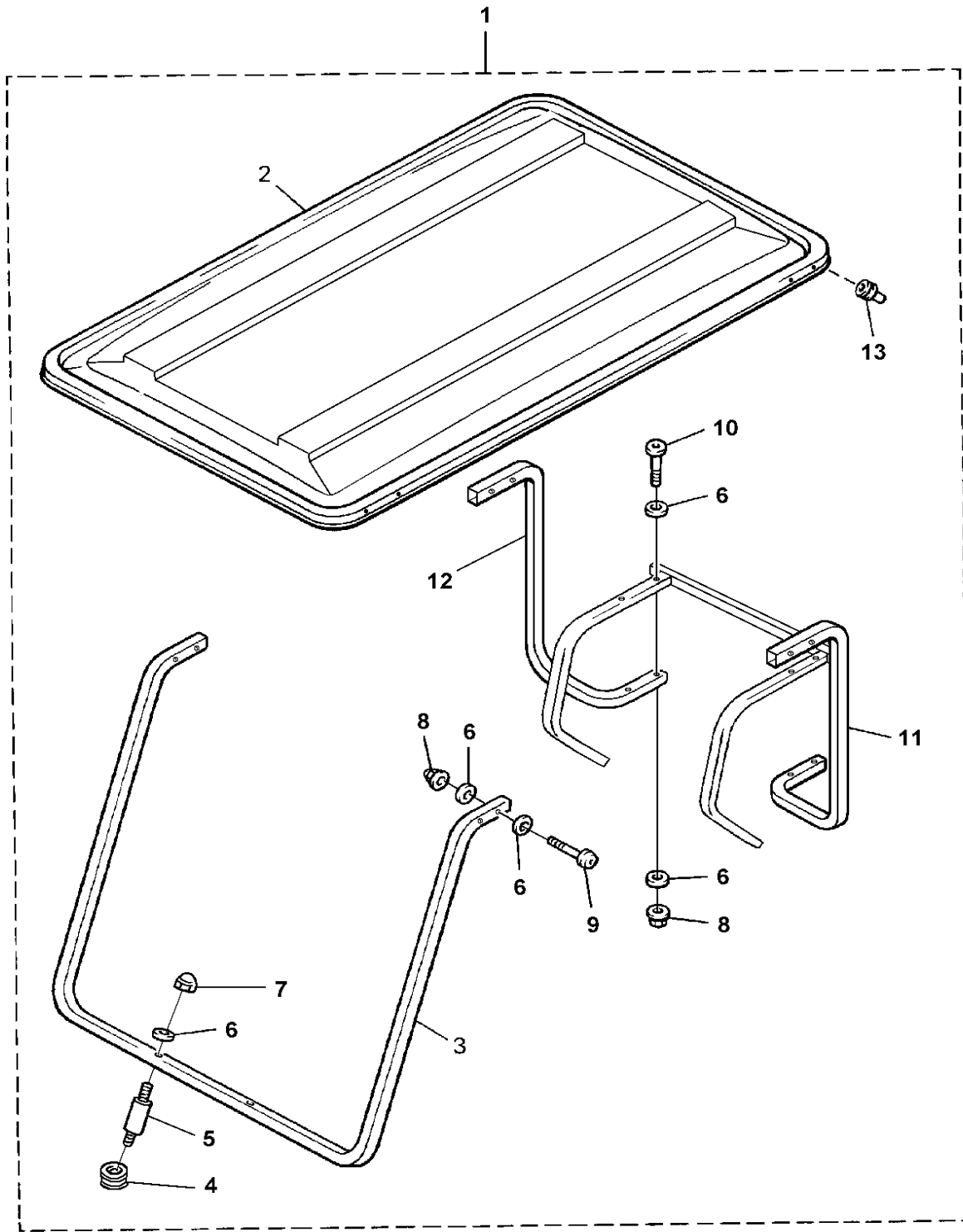
ACCELERATOR	C1
AIR SHROUD FAN	A9
BODY 1	C11
BODY 2	D1-2
BODY FITTING	D3
BRAKE 1	B9-10
BRAKE 2	B11
BRAKE 3	B12
BUMPER	C10
CAMSHAFT VALVE	A8
CARBURETOR	A11
CARRIER	D4
CRANKCASE	B1
CRANKSHAFT PISTON	A7
CYLINDER HEAD	A6
ELECTRICAL 1	D9
ELECTRICAL 2	D10-11
ENGINE ASSEMBLY	A5
ENGINE MOUNT	B2
EXHAUST	A12
FRAME	B4
FRONT SEAT	D5
FRONT SUSPENSION WHEEL	B5-6
FUEL TANK	B8
GOVERNOR	C2
INTAKE	A10
INTERMEDIATE BODY	C12
OPTIONAL HUB CAPS	D12
OPTIONAL ORNAMENTAL PLATE	E3
OPTIONAL SUN ROOF	E2
OPTIONAL WINDSHIELD	E1
PRIMARY CLUTCH	C3
REAR ARM SUSPENSION	B3
REAR AXLE MOUNT WHEEL	C8
REAR SEAT	D6
SECONDARY SHEAVE	C4
SHIFTER CABLES	C9
STARTER GENERATOR	D7-8
STEERING	B7
TRANSMISSION 1	C5-7
-MODELS IN THIS CATALOG	E4

OPTIONAL SUN ROOF

Ref. No.	Part Number	Description	Qty	Remarks
1	JR8-K8310-00-00	SUN ROOF ASSY	1	
2	JR8-K8314-00-00	. COVER, SUN ROOF	1	
3	JR8-K8312-00-00	. SUPPORT, ROOF 1	1	
4	JN3-K832F-00-00	. GROMMET, ROOF SUPPORT	2	
5	JN6-K834A-02-00	. HOLDER, REINFORCEMENT	2	UR
6	90201-088T3-00	. WASHER, PLAIN	26	
7	90176-08801-00	. NUT, CAP	2	UR
8	90185-12835-00	. NUT, SELF-LOCK	10	
9	90101-22863-00	. BOLT	8	
10	90101-22864-00	. BOLT	4	
11	JR8-K8313-01-00	. SUPPORT, ROOF 2 (LH)	1	
12	JR8-K831A-01-00	. SUPPORT, ROOF 3 (RH)	1	
13	JN3-K832G-00-00	. GROMMET, ROOF	2	

CONTENTS

ACCELERATOR	C1
AIR SHROUD FAN	A9
BODY 1	C11
BODY 2	D1-2
BODY FITTING	D3
BRAKE 1	B9-10
BRAKE 2	B11
BRAKE 3	B12
BUMPER	C10
CAMSHAFT VALVE	A8
CARBURETOR	A11
CARRIER	D4
CRANKCASE	B1
CRANKSHAFT PISTON	A7
CYLINDER HEAD	A6
ELECTRICAL 1	D9
ELECTRICAL 2	D10-11
ENGINE ASSEMBLY	A5
ENGINE MOUNT	B2
EXHAUST	A12
FRAME	B4
FRONT SEAT	D5
FRONT SUSPENSION WHEEL	B5-6
FUEL TANK	B8
GOVERNOR	C2
INTAKE	A10
INTERMEDIATE BODY	C12
OPTIONAL HUB CAPS	D12
OPTIONAL ORNAMENTAL PLATE	E3
OPTIONAL SUN ROOF	E2
OPTIONAL WINDSHIELD	E1
PRIMARY CLUTCH	C3
REAR ARM SUSPENSION	B3
REAR AXLE MOUNT WHEEL	C8
REAR SEAT	D6
SECONDARY SHEAVE	C4
SHIFTER CABLES	C9
STARTER GENERATOR	D7-8
STEERING	B7
TRANSMISSION 1	C5-7
-MODELS IN THIS CATALOG	E4



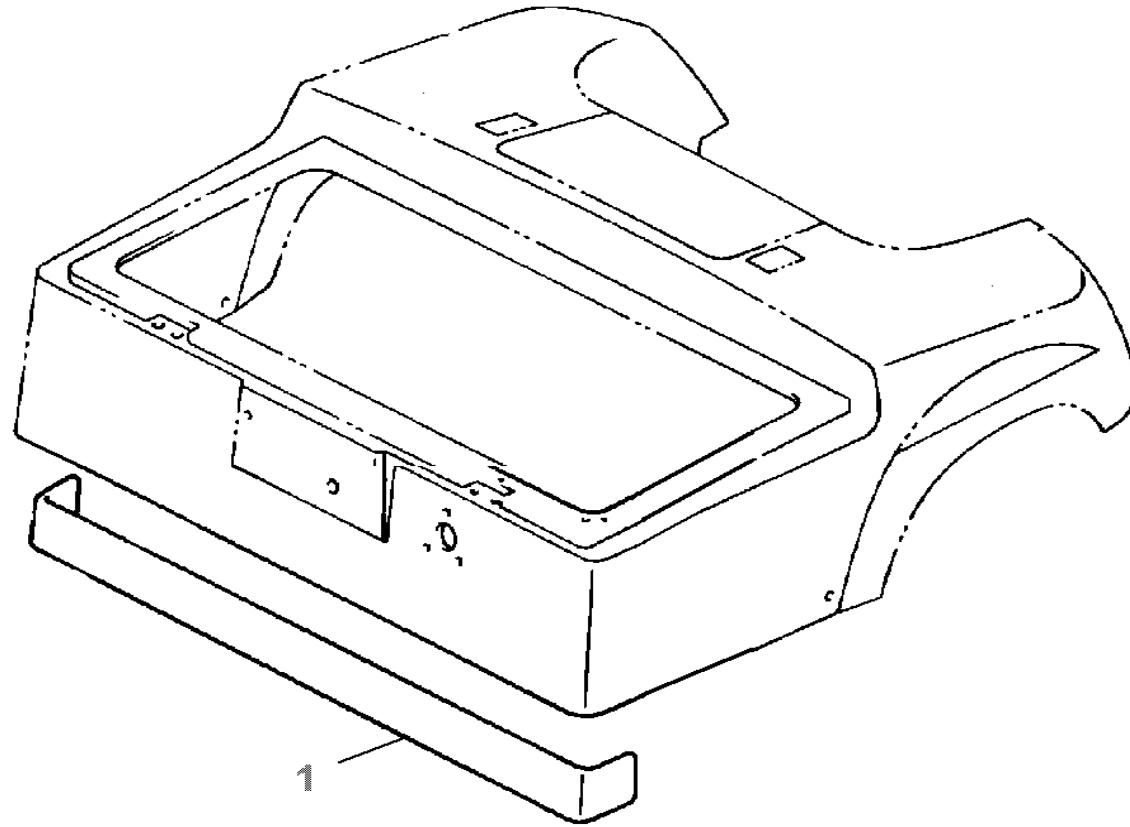
JR8100-1090

OPTIONAL ORNAMENTAL PLATE

Ref. No.	Part Number	Description	Qty	Remarks
1	JN3-K814N-00-00	PLATE, ORNAMENT	1	

CONTENTS

ACCELERATOR	C1
AIR SHROUD FAN	A9
BODY 1	C11
BODY 2	D1-2
BODY FITTING	D3
BRAKE 1	B9-10
BRAKE 2	B11
BRAKE 3	B12
BUMPER	C10
CAMSHAFT VALVE	A8
CARBURETOR	A11
CARRIER	D4
CRANKCASE	B1
CRANKSHAFT PISTON	A7
CYLINDER HEAD	A6
ELECTRICAL 1	D9
ELECTRICAL 2	D10-11
ENGINE ASSEMBLY	A5
ENGINE MOUNT	B2
EXHAUST	A12
FRAME	B4
FRONT SEAT	D5
FRONT SUSPENSION WHEEL	B5-6
FUEL TANK	B8
GOVERNOR	C2
INTAKE	A10
INTERMEDIATE BODY	C12
OPTIONAL HUB CAPS	D12
OPTIONAL ORNAMENTAL PLATE	E3
OPTIONAL SUN ROOF	E2
OPTIONAL WINDSHIELD	E1
PRIMARY CLUTCH	C3
REAR ARM SUSPENSION	B3
REAR AXLE MOUNT WHEEL	C8
REAR SEAT	D6
SECONDARY SHEAVE	C4
SHIFTER CABLES	C9
STARTER GENERATOR	D7-8
STEERING	B7
TRANSMISSION 1	C5-7
-MODELS IN THIS CATALOG	E4



 JN6100-6291

~MODELS IN THIS CATALOG

Ref. No.	Part Number	Description	Qty	Remarks
-------------	----------------	-------------	-----	---------

2000 G20AU (JR8)

STARTING FRAME: JR8-000101 and following

2001 G20AW (JR8)

STARTING FRAME: JR8-100101 and following

2002 G20AX (JR8)

STARTING FRAME: JR8-200101 and following

**ALL THESE MODELS USE THIS SAME PARTS CATALOG.
BE SURE TO ORDER ONLY THOSE PARTS APPLICABLE
TO THE DESIRED MODEL.**

CONTENTS

ACCELERATOR	C1
AIR SHROUD FAN	A9
BODY 1	C11
BODY 2	D1-2
BODY FITTING	D3
BRAKE 1	B9-10
BRAKE 2	B11
BRAKE 3	B12
BUMPER	C10
CAMSHAFT VALVE	A8
CARBURETOR	A11
CARRIER	D4
CRANKCASE	B1
CRANKSHAFT PISTON	A7
CYLINDER HEAD	A6
ELECTRICAL 1	D9
ELECTRICAL 2	D10-11
ENGINE ASSEMBLY	A5
ENGINE MOUNT	B2
EXHAUST	A12
FRAME	B4
FRONT SEAT	D5
FRONT SUSPENSION WHEEL	B5-6
FUEL TANK	B8
GOVERNOR	C2
INTAKE	A10
INTERMEDIATE BODY	C12
OPTIONAL HUB CAPS	D12
OPTIONAL ORNAMENTAL PLATE	E3
OPTIONAL SUN ROOF	E2
OPTIONAL WINDSHIELD	E1
PRIMARY CLUTCH	C3
REAR ARM SUSPENSION	B3
REAR AXLE MOUNT WHEEL	C8
REAR SEAT	D6
SECONDARY SHEAVE	C4
SHIFTER CABLES	C9
STARTER GENERATOR	D7-8
STEERING	B7
TRANSMISSION 1	C5-7
~MODELS IN THIS CATALOG	E4