

# PARTS CATALOGUE GOLF CAR

- 1996 G16AP (JN6)**
- 1997 G16AR (JN6)**
- 1998 G16AS (JN6)**
- 1999 G16AT (JN6)**
- 2000 G16AU (JN6)**
- 2001 G16AW (JN6)**
- 2002 G16AX (JN6)**

**STARTING FRAME: JN6-000101 and following**

OWNERS           LIT-19626-16-97   (96~ 00)  
 OWNERS           LIT-19626-16-00   (01~ 02)  
 SERVICE           LIT-19616-00-00

## CONTENTS

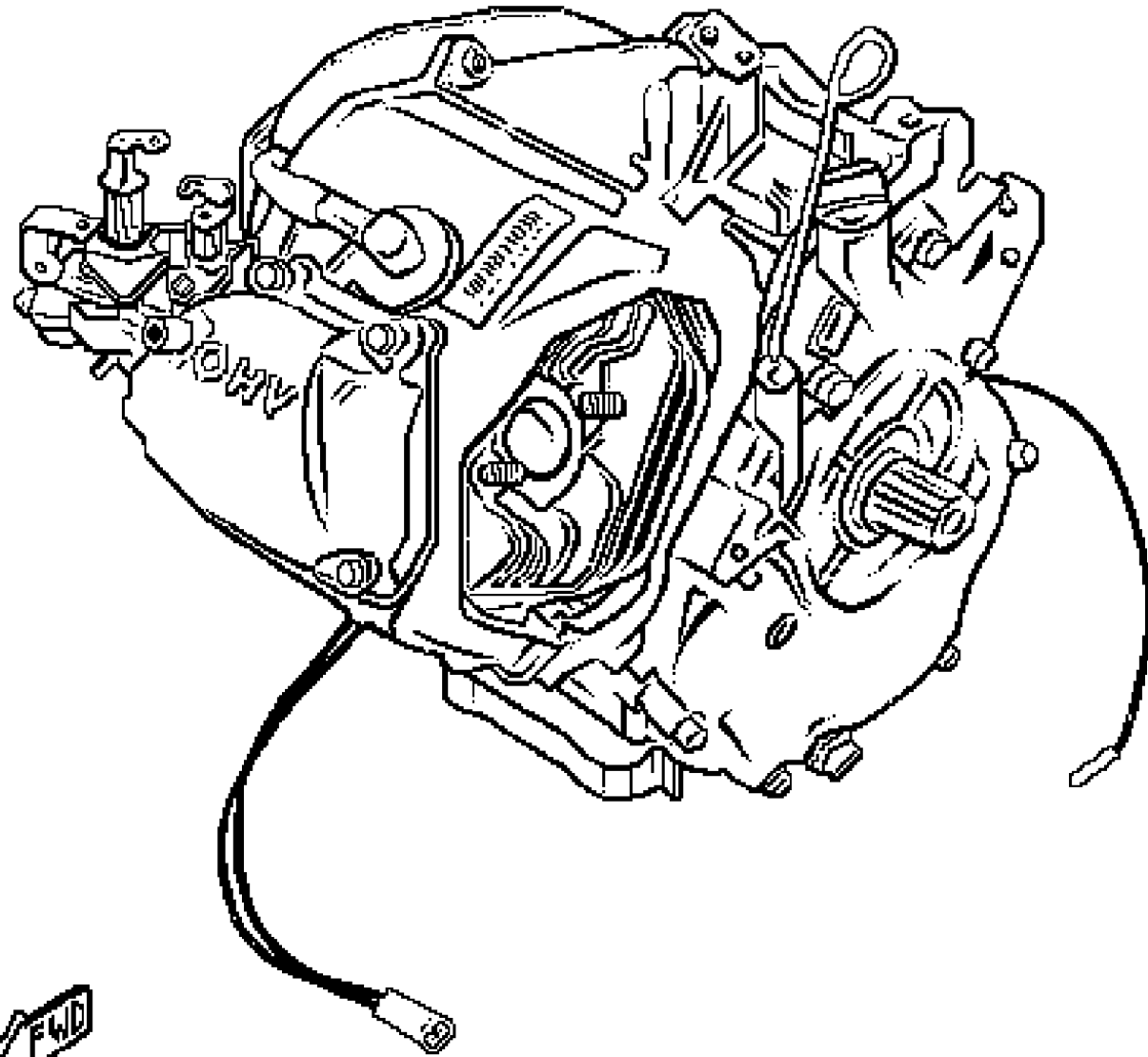
ACCELERATOR	B10
AIR SHROUD FAN	A6
BODY 1	C8-9
BODY 2	C10-11
BODY FITTING	C12
BRAKE 1	B6-7
BRAKE 2	B8
BRAKE 3	B9
BUMPER	C7
CAMSHAFT VALVE	A5
CARBURETOR	A8
CARRIER	D1
CRANKCASE	A10
CRANKSHAFT PISTON	A4
CYLINDER HEAD	A3
ELECTRICAL 1	D6
ELECTRICAL 2	D7-8
ENGINE ASSEMBLY	A2
ENGINE MOUNT	A11
EXHAUST	A9
FRAME	B1
FRONT SUSPENSION WHEEL	B2-3
FUEL TANK	B5
GOVERNOR	B11
INTAKE	A7
OPTIONAL HUB CAPS	D9
OPTIONAL LIGHT KIT	E2
OPTIONAL LIGHT KIT STREAMLINE JU0	E3-4
OPTIONAL SUN ROOF JN3	D12
OPTIONAL SUN ROOF JN6	E1
OPTIONAL WINDSHIELD JN3	D10
OPTIONAL WINDSHIELD JN6	D11
PRIMARY CLUTCH	B12
REAR ARM SUSPENSION	A12
REAR AXLE MOUNT WHEEL	C5
SEAT	D2-3
SECONDARY SHEAVE	C1
SHIFTER CABLES	C6
STARTER GENERATOR	D4-5
STEERING	B4
TRANSAXLE	C2-4
-MODELS IN THIS CATALOG	E5

# ENGINE ASSEMBLY

Ref. No.	Part Number	Description	Qty	Remarks
1	JR3-19001-00-00	ENGINE ASSEMBLY .....	1	

## CONTENTS

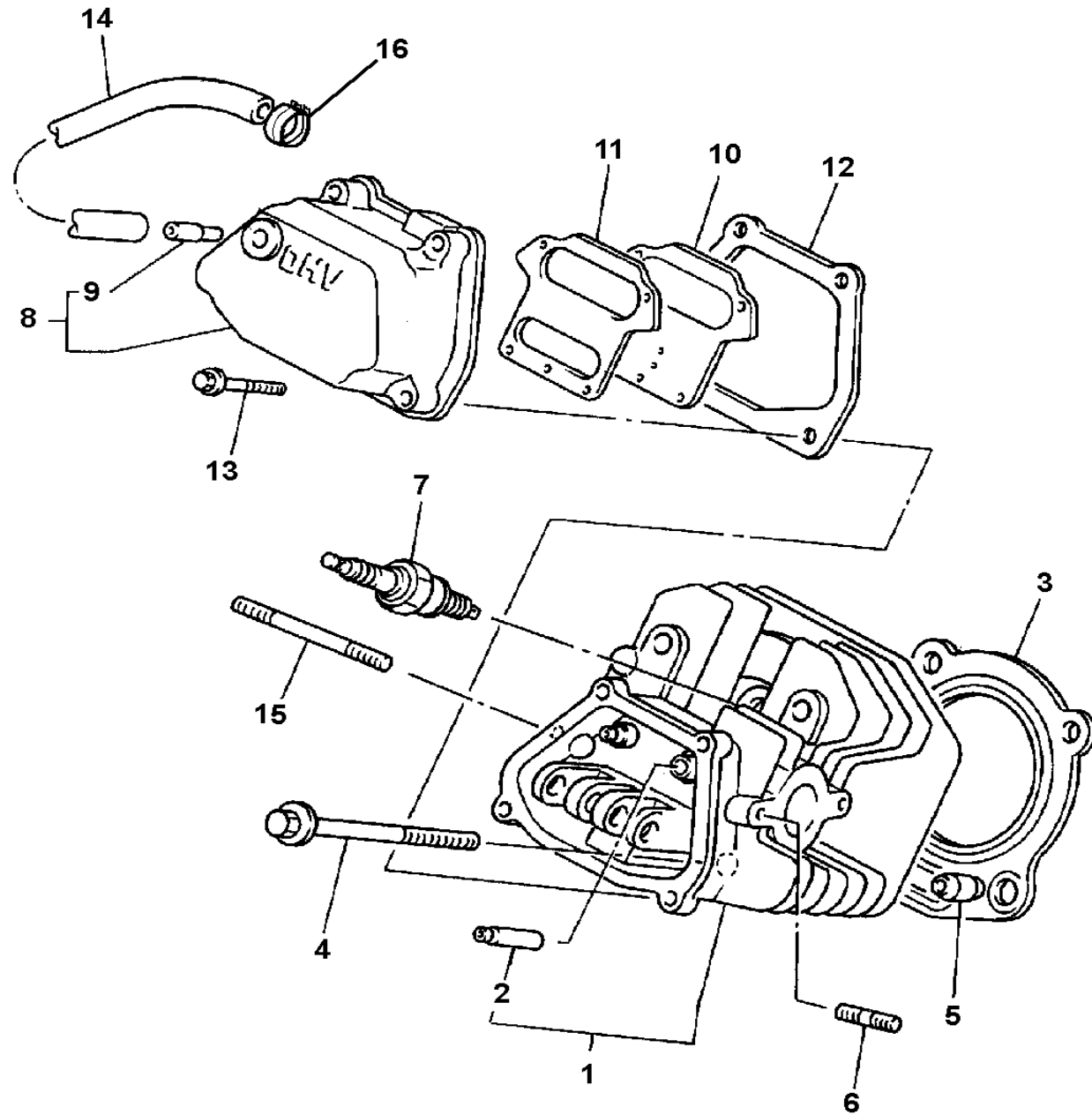
ACCELERATOR	B10
AIR SHROUD FAN	A6
BODY 1	C8-9
BODY 2	C10-11
BODY FITTING	C12
BRAKE 1	B6-7
BRAKE 2	B8
BRAKE 3	B9
BUMPER	C7
CAMSHAFT VALVE	A5
CARBURETOR	A8
CARRIER	D1
CRANKCASE	A10
CRANKSHAFT PISTON	A4
CYLINDER HEAD	A3
ELECTRICAL 1	D6
ELECTRICAL 2	D7-8
ENGINE ASSEMBLY	A2
ENGINE MOUNT	A11
EXHAUST	A9
FRAME	B1
FRONT SUSPENSION WHEEL	B2-3
FUEL TANK	B5
GOVERNOR	B11
INTAKE	A7
OPTIONAL HUB CAPS	D9
OPTIONAL LIGHT KIT	E2
OPTIONAL LIGHT KIT STREAMLINE JU0	E3-4
OPTIONAL SUN ROOF JN3	D12
OPTIONAL SUN ROOF JN6	E1
OPTIONAL WINDSHIELD JN3	D10
OPTIONAL WINDSHIELD JN6	D11
PRIMARY CLUTCH	B12
REAR ARM SUSPENSION	A12
REAR AXLE MOUNT WHEEL	C5
SEAT	D2-3
SECONDARY SHEAVE	C1
SHIFTER CABLES	C6
STARTER GENERATOR	D4-5
STEERING	B4
TRANSAXLE	C2-4
-MODELS IN THIS CATALOG	E5



JR3100-0001

A2

# CYLINDER HEAD



Ref. No.	Part Number	Description	Qty	Remarks
1	JN6-11102-00-00	HEAD, CYLINDER .....	1	
2	JN6-11133-10-00	. GUIDE, VALVE 1 .....	2	
3	JN6-11181-00-00	GASKET, CYLINDER HEAD ...	1	
4	95817-10070-00	BOLT, FLANGE .....	4	
5	99530-14016-00	PIN, DOWEL .....	2	
6	95617-08618-00	BOLT, STUD (95627-08618-00) .	2	
7	NGK-BPR4E-S0-00	PLUG, SPARK .....	1	AP, US
	NGK-BPR2E-S0-00	PLUG, SPARK (NGK BPR2E) ..	1	STD, US
	94702-00343-00	PLUG, SPARK .....	1	AP, EUROPE
	94702-00348-00	PLUG, SPARK .....	1	STD, EUROPE
8	JN6-11191-01-00	COVER, CYLINDER .....	1	
9	JN6-11116-00-00	. JOINT, BREATHER .....	1	
10	JN6-11168-00-00	COVER, BREATHER .....	1	
11	JN6-11169-00-00	GASKET, BREATHER .....	1	
12	JN6-11193-00-00	GASKET, HEAD COVER .....	1	
13	95817-06030-00	BOLT, FLANGE .....	4	
14	JN6-E1166-00-00	PIPE, BREATHER .....	1	
15	95617-08710-00	BOLT, STUD .....	2	
16	90467-13847-00	CLAMP .....	2	JN6-006700~

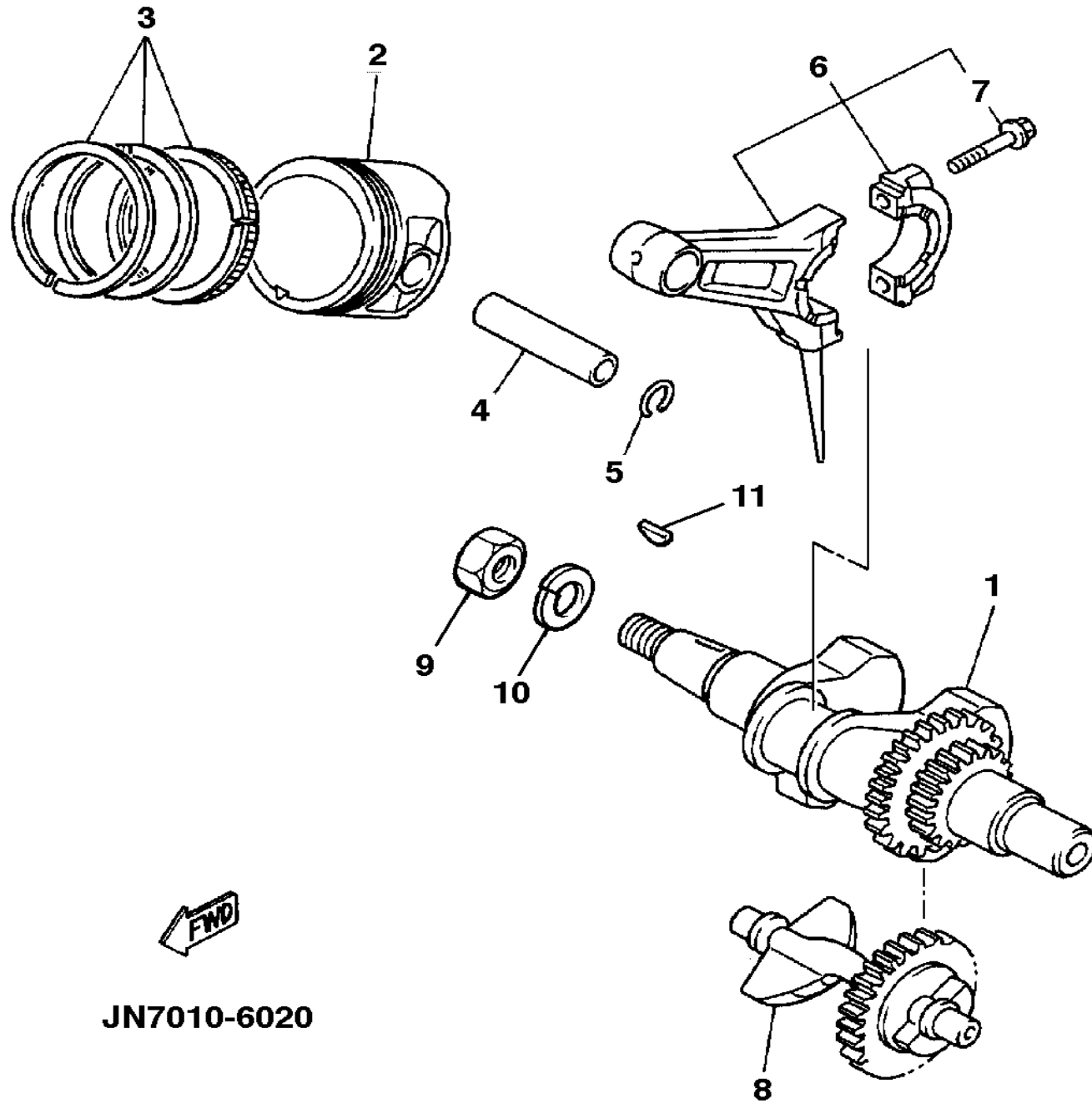
## CONTENTS

ACCELERATOR	B10
AIR SHROUD FAN	A6
BODY 1	C8-9
BODY 2	C10-11
BODY FITTING	C12
BRAKE 1	B6-7
BRAKE 2	B8
BRAKE 3	B9
BUMPER	C7
CAMSHAFT VALVE	A5
CARBURETOR	A8
CARRIER	D1
CRANKCASE	A10
CRANKSHAFT PISTON	A4
CYLINDER HEAD	A3
ELECTRICAL 1	D6
ELECTRICAL 2	D7-8
ENGINE ASSEMBLY	A2
ENGINE MOUNT	A11
EXHAUST	A9
FRAME	B1
FRONT SUSPENSION WHEEL	B2-3
FUEL TANK	B5
GOVERNOR	B11
INTAKE	A7
OPTIONAL HUB CAPS	D9
OPTIONAL LIGHT KIT	E2
OPTIONAL LIGHT KIT	
STREAMLINE JU0	E3-4
OPTIONAL SUN ROOF JN3	D12
OPTIONAL SUN ROOF JN6	E1
OPTIONAL WINDSHIELD JN3	D10
OPTIONAL WINDSHIELD JN6	D11
PRIMARY CLUTCH	B12
REAR ARM SUSPENSION	A12
REAR AXLE MOUNT WHEEL	C5
SEAT	D2-3
SECONDARY SHEAVE	C1
SHIFTER CABLES	C6
STARTER GENERATOR	D4-5
STEERING	B4
TRANSAXLE	C2-4
-MODELS IN THIS CATALOG	E5



JN7010-6011

# CRANKSHAFT PISTON



Ref. No.	Part Number	Description	Qty	Remarks
1	JN6-11400-00-00	CRANKSHAFT ASSY .....	1	
2	JN6-11631-00-A0	PISTON (STD) .....	1	STD
	JN6-11635-00-00	PISTON (0.25MM O/S) .....	1	AP
	JN6-11636-00-00	PISTON (0.50MM O/S) .....	1	AP
3	JN6-11610-00-00	PISTON RING SET (STD) .....	1	STD
	JN6-11610-20-00	PISTON RING SET (0.50MM O/S) .....	1	AP
	JN6-11610-10-00	PISTON RING SET (0.25MM O/S) .....	1	AP
4	447-11633-00-00	PIN, PISTON .....	1	
5	93450-21053-00	CIRCLIP .....	2	
6	JN6-11650-00-00	CONNECTING ROD ASSY .....	1	
7	JN6-11654-00-00	. BOLT, CONNECTING ROD ..	2	
8	JN6-11454-00-00	WEIGHT 1 .....	1	
9	95307-18600-00	NUT, HEX .....	1	
10	90201-18620-00	WASHER, PLAIN .....	1	
11	90280-04052-00	KEY, WOODRUFF .....	1	

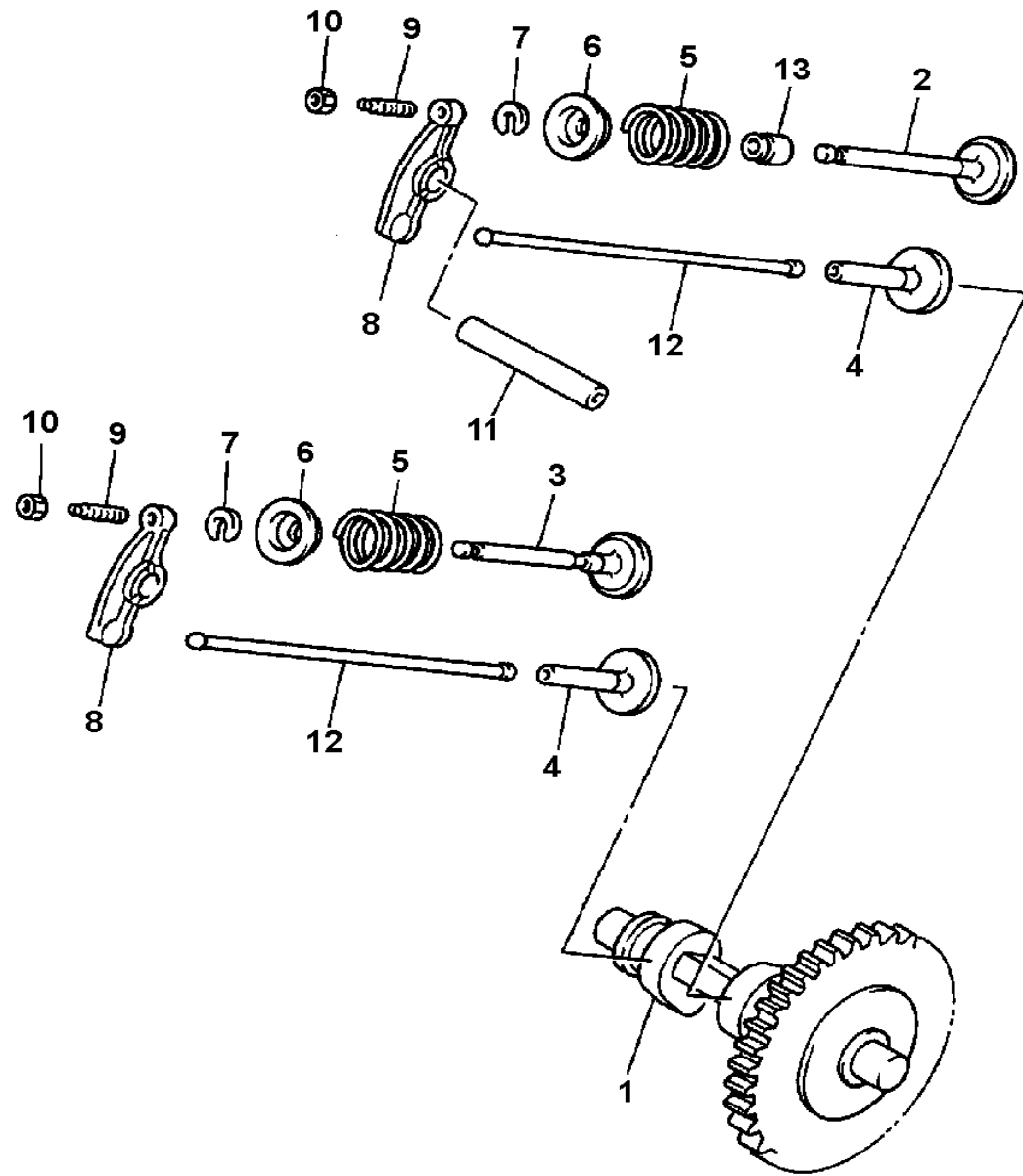
## CONTENTS

ACCELERATOR	B10
AIR SHROUD FAN	A6
BODY 1	C8-9
BODY 2	C10-11
BODY FITTING	C12
BRAKE 1	B6-7
BRAKE 2	B8
BRAKE 3	B9
BUMPER	C7
CAMSHAFT VALVE	A5
CARBURETOR	A8
CARRIER	D1
CRANKCASE	A10
CRANKSHAFT PISTON	A4
CYLINDER HEAD	A3
ELECTRICAL 1	D6
ELECTRICAL 2	D7-8
ENGINE ASSEMBLY	A2
ENGINE MOUNT	A11
EXHAUST	A9
FRAME	B1
FRONT SUSPENSION WHEEL	B2-3
FUEL TANK	B5
GOVERNOR	B11
INTAKE	A7
OPTIONAL HUB CAPS	D9
OPTIONAL LIGHT KIT	E2
OPTIONAL LIGHT KIT	
STREAMLINE JU0	E3-4
OPTIONAL SUN ROOF JN3	D12
OPTIONAL SUN ROOF JN6	E1
OPTIONAL WINDSHIELD JN3	D10
OPTIONAL WINDSHIELD JN6	D11
PRIMARY CLUTCH	B12
REAR ARM SUSPENSION	A12
REAR AXLE MOUNT WHEEL	C5
SEAT	D2-3
SECONDARY SHEAVE	C1
SHIFTER CABLES	C6
STARTER GENERATOR	D4-5
STEERING	B4
TRANSAXLE	C2-4
-MODELS IN THIS CATALOG	E5

JN7010-6020


# CAMSHAFT VALVE

Ref. No.	Part Number	Description	Qty	Remarks
1	JN6-12171-00-00	SHIFT CAM 1 .....	1	
2	JN6-12111-01-00	VALVE, INTAKE .....	1	
3	JN6-12121-00-00	VALVE, EXHAUST .....	1	
4	JN6-12153-00-00	LIFTER, VALVE .....	2	
5	90501-264A9-00	SPRING, COMPRESSION .....	2	
6	J38-12117-01-00	RETAINER, VALVE SPRING ..	2	
7	J38-12118-00-00	COTTER, VALVE .....	2	
8	JN6-12151-00-00	ARM, VALVE ROCKER .....	2	
9	22F-12159-00-00	SCREW, VALVE .....	2	
10	90170-05302-00	NUT, HEX .....	2	
11	J38-12156-00-00	SHAFT, ROCKER 2 .....	1	
12	JN6-12154-00-00	ROD, VALVE PUSH .....	2	
13	5H0-12119-00-00	SEAL, VALVE STEM .....	1	

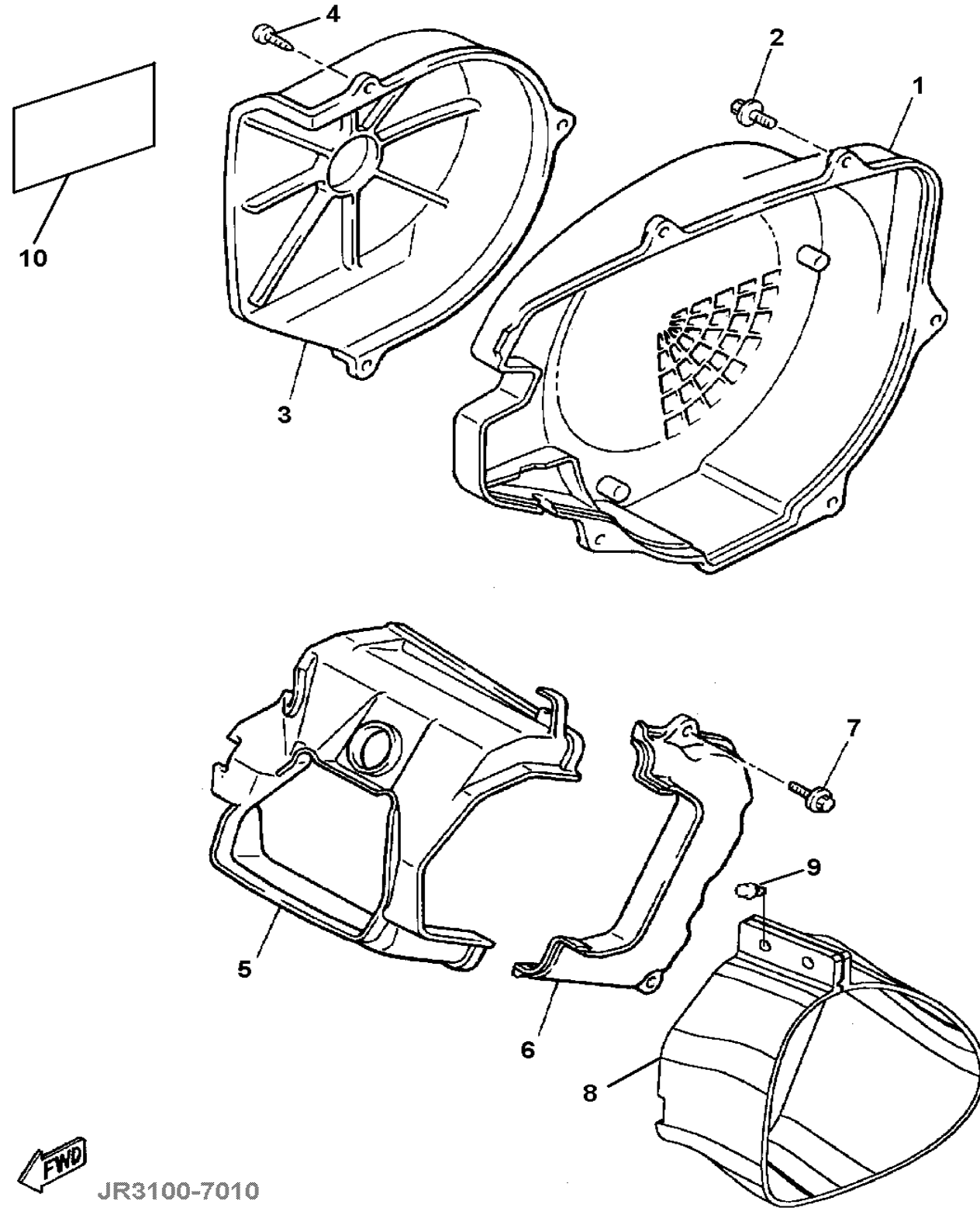


## CONTENTS

ACCELERATOR	B10
AIR SHROUD FAN	A6
BODY 1	C8-9
BODY 2	C10-11
BODY FITTING	C12
BRAKE 1	B6-7
BRAKE 2	B8
BRAKE 3	B9
BUMPER	C7
CAMSHAFT VALVE	A5
CARBURETOR	A8
CARRIER	D1
CRANKCASE	A10
CRANKSHAFT PISTON	A4
CYLINDER HEAD	A3
ELECTRICAL 1	D6
ELECTRICAL 2	D7-8
ENGINE ASSEMBLY	A2
ENGINE MOUNT	A11
EXHAUST	A9
FRAME	B1
FRONT SUSPENSION WHEEL	B2-3
FUEL TANK	B5
GOVERNOR	B11
INTAKE	A7
OPTIONAL HUB CAPS	D9
OPTIONAL LIGHT KIT	E2
OPTIONAL LIGHT KIT	
STREAMLINE JU0	E3-4
OPTIONAL SUN ROOF JN3	D12
OPTIONAL SUN ROOF JN6	E1
OPTIONAL WINDSHIELD JN3	D10
OPTIONAL WINDSHIELD JN6	D11
PRIMARY CLUTCH	B12
REAR ARM SUSPENSION	A12
REAR AXLE MOUNT WHEEL	C5
SEAT	D2-3
SECONDARY SHEAVE	C1
SHIFTER CABLES	C6
STARTER GENERATOR	D4-5
STEERING	B4
TRANSAXLE	C2-4
-MODELS IN THIS CATALOG	E5

 JN7010-6030

# AIR SHROUD FAN



Ref. No.	Part Number	Description	Qty	Remarks
1	JN6-12621-00-00	CASE, FAN 1 .....	1	
2	95817-06020-00	BOLT, FLANGE .....	5	
3	JN6-12616-00-00	COVER, FAN CASE .....	1	
4	97707-60520-00	SCREW, TAPPING .....	3	
5	JN6-12651-00-00	AIR SHROUD, CYLINDER 1 ...	1	
6	JN6-12652-00-00	AIR SHROUD, CYLINDER 2 ...	1	
7	95817-06020-00	BOLT, FLANGE .....	2	
8	JN6-E2691-00-00	DUCT, 1 .....	1	
9	90269-08813-00	RIVET .....	2	
10	JR3-2179R-00-00	PLATE, EPACA .....	1	UR, US MODEL

## CONTENTS

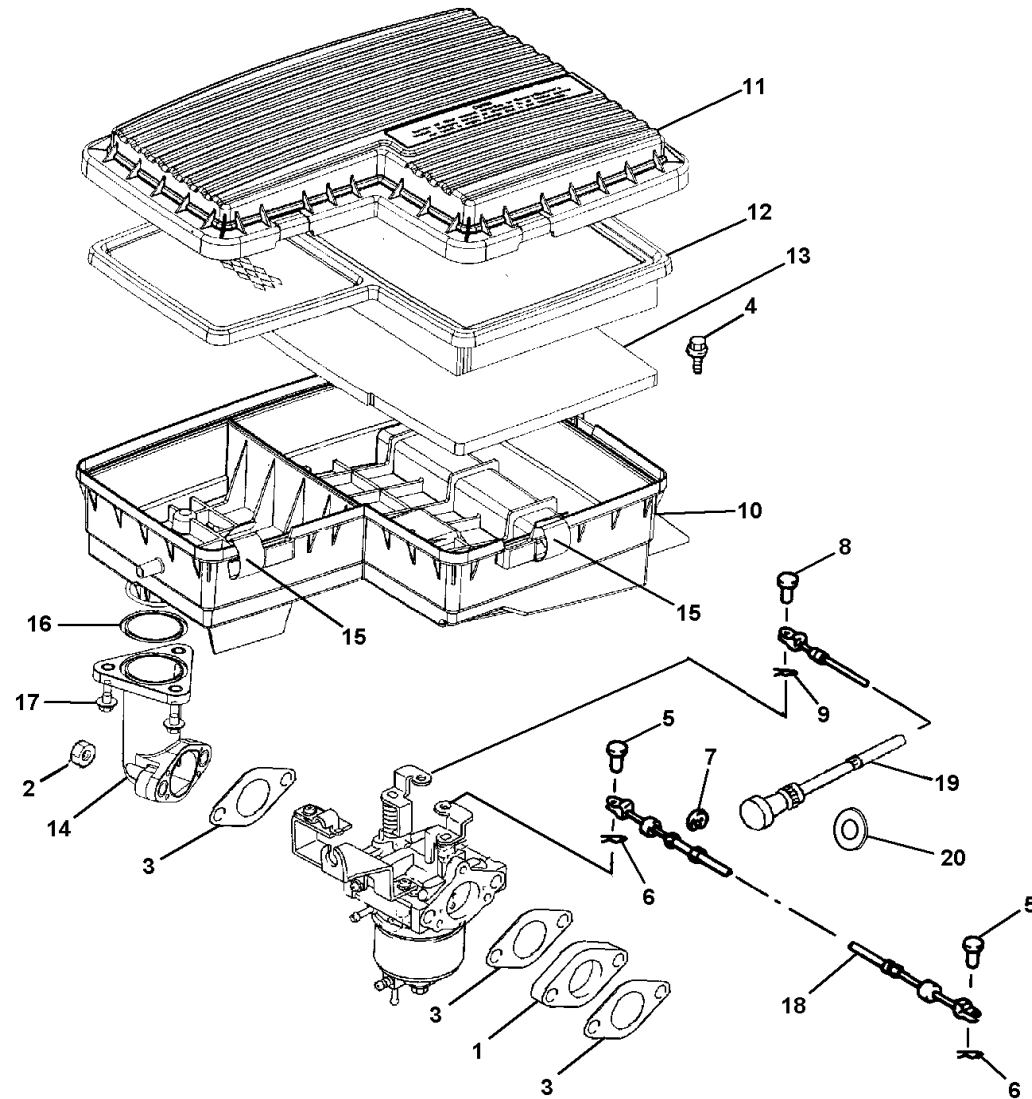
ACCELERATOR	B10
AIR SHROUD FAN	A6
BODY 1	C8-9
BODY 2	C10-11
BODY FITTING	C12
BRAKE 1	B6-7
BRAKE 2	B8
BRAKE 3	B9
BUMPER	C7
CAMSHAFT VALVE	A5
CARBURETOR	A8
CARRIER	D1
CRANKCASE	A10
CRANKSHAFT PISTON	A4
CYLINDER HEAD	A3
ELECTRICAL 1	D6
ELECTRICAL 2	D7-8
ENGINE ASSEMBLY	A2
ENGINE MOUNT	A11
EXHAUST	A9
FRAME	B1
FRONT SUSPENSION WHEEL	B2-3
FUEL TANK	B5
GOVERNOR	B11
INTAKE	A7
OPTIONAL HUB CAPS	D9
OPTIONAL LIGHT KIT	E2
OPTIONAL LIGHT KIT	
STREAMLINE JU0	E3-4
OPTIONAL SUN ROOF JN3	D12
OPTIONAL SUN ROOF JN6	E1
OPTIONAL WINDSHIELD JN3	D10
OPTIONAL WINDSHIELD JN6	D11
PRIMARY CLUTCH	B12
REAR ARM SUSPENSION	A12
REAR AXLE MOUNT WHEEL	C5
SEAT	D2-3
SECONDARY SHEAVE	C1
SHIFTER CABLES	C6
STARTER GENERATOR	D4-5
STEERING	B4
TRANSAXLE	C2-4
-MODELS IN THIS CATALOG	E5



JR3100-7010

# INTAKE

Ref. No.	Part Number	Description	Qty	Remarks
1	JN6-13595-00-00	JOINT .....	1	
2	95707-08500-00	NUT, FLANGE .....	2	
3	JN6-13567-00-00	GASKET .....	3	
4	90119-06920-00	BOLT, HEX HEAD W/ WASHER	2	
5	91790-05010-00	PIN, CYLINDER HEAD .....	2	
6	90468-10050-00	CLIP .....	2	
7	99080-07600-00	CIRCLIP (E) .....	1	
8	91701-05010-00	PIN, CYLINDER HEAD .....	1	
9	90468-10050-00	CLIP .....	1	
10	JN6-E4411-02-00	CASE, AIR FILTER .....	1	
11	JN6-E4412-01-00	CAP, CASE 1 .....	1	
12	JN6-E4450-01-00	ELEMENT ASSY .....	1	
13	JN6-E445E-00-00	FILTER 1 .....	1	
14	JN6-E3586-01-00	JOINT, CARBURETOR .....	1	
15	JN6-E4424-00-00	CLIP, CAP FITTING .....	5	
16	93210-398D6-00	O-RING .....	1	
17	90105-06862-00	BOLT, FLANGE .....	3	
18	JN6-F6312-01-00	WIRE, THROTTLE .....	1	
19	JN6-F6331-11-00	WIRE, STARTER .....	1	SEE NOTE A
20	JN6-F6333-10-00	NUT .....	1	SEE NOTE A



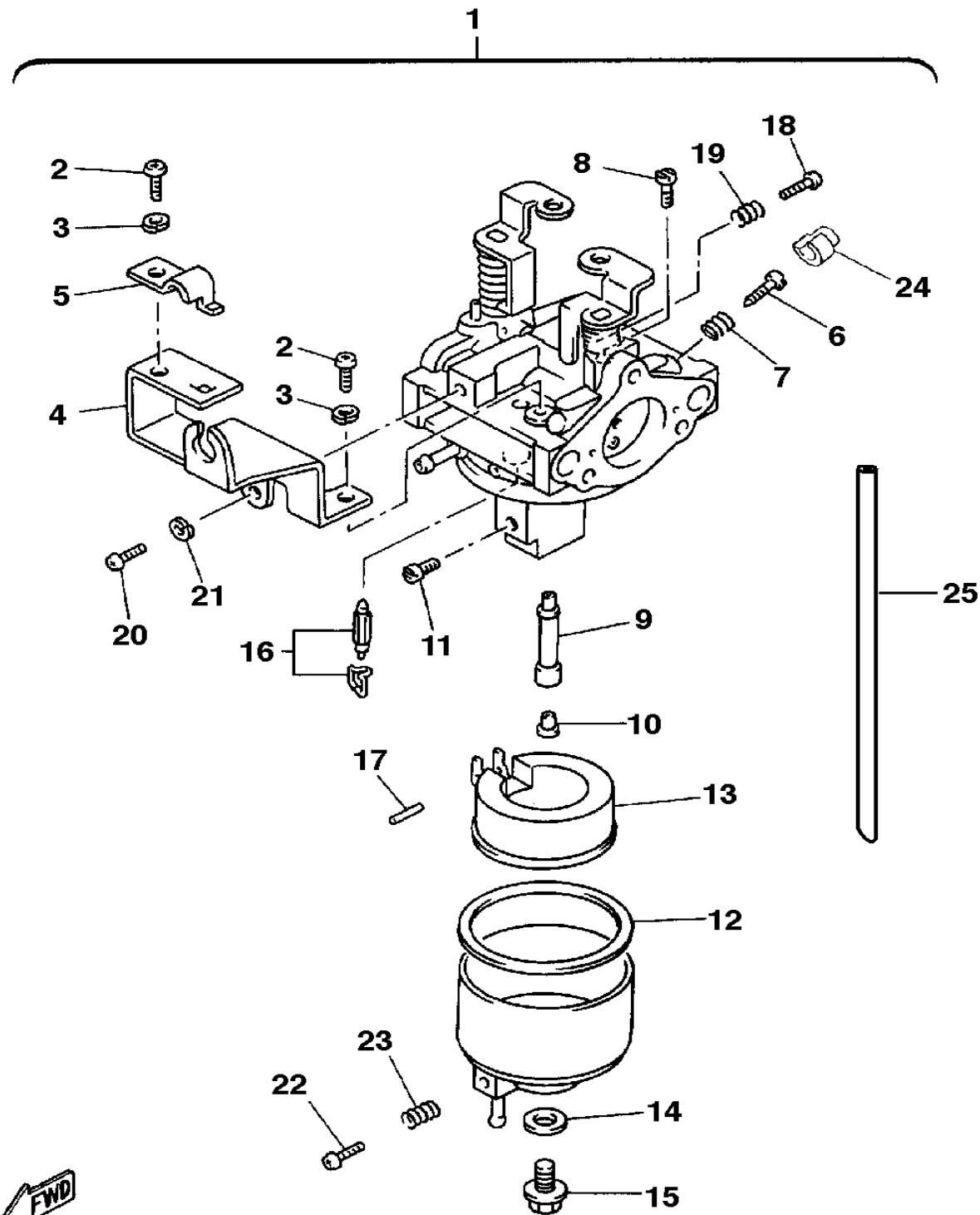
**FWD**  
JN6200-7010

NOTE A: When replacing JN6-F6331-11-00, Wire, Starter, you must also order JN6-F6333-10-00, Nut, and follow the installation instructions contained in Technical Bulletin G02-001, January 14, 2002.

## CONTENTS

ACCELERATOR	B10
AIR SHROUD FAN	A6
BODY 1	C8-9
BODY 2	C10-11
BODY FITTING	C12
BRAKE 1	B6-7
BRAKE 2	B8
BRAKE 3	B9
BUMPER	C7
CAMSHAFT VALVE	A5
CARBURETOR	A8
CARRIER	D1
CRANKCASE	A10
CRANKSHAFT PISTON	A4
CYLINDER HEAD	A3
ELECTRICAL 1	D6
ELECTRICAL 2	D7-8
ENGINE ASSEMBLY	A2
ENGINE MOUNT	A11
EXHAUST	A9
FRAME	B1
FRONT SUSPENSION WHEEL	B2-3
FUEL TANK	B5
GOVERNOR	B11
INTAKE	A7
OPTIONAL HUB CAPS	D9
OPTIONAL LIGHT KIT	E2
OPTIONAL LIGHT KIT	
STREAMLINE JU0	E3-4
OPTIONAL SUN ROOF JN3	D12
OPTIONAL SUN ROOF JN6	E1
OPTIONAL WINDSHIELD JN3	D10
OPTIONAL WINDSHIELD JN6	D11
PRIMARY CLUTCH	B12
REAR ARM SUSPENSION	A12
REAR AXLE MOUNT WHEEL	C5
SEAT	D2-3
SECONDARY SHEAVE	C1
SHIFTER CABLES	C6
STARTER GENERATOR	D4-5
STEERING	B4
TRANSAXLE	C2-4
-MODELS IN THIS CATALOG	E5

# CARBURETOR



JN7010-6060

Ref. No.	Part Number	Description	Qty	Remarks
1	JN6-14101-01-00	CARBURETOR ASSEMBLY. . .	1	
2	98507-05100-00	. SCREW, PAN HEAD . . . . .	2	
3	92990-05100-00	. WASHER, LOCK . . . . .	2	
4	JN6-14291-00-00	. BRACKET 1 . . . . .	1	
5	J10-14227-00-00	. WASHER . . . . .	1	
6	7LV-14211-00-00	. SCREW, PILOT ADJUSTING . .	1	
7	73A-14212-00-00	. SCREW, PILOT ADJUSTING . .	1	
8	620-1414J-24-00	. JET, PILOT . . . . .	1	(#61.3)
9	JN6-1495H-3B-00	. NOZZLE, MAIN . . . . .	1	
10	73A-1414G-00-00	. PIPE, MAIN BREED . . . . .	1	
11	3G2-1423E-33-00	. JET, MAIN . . . . .	1	(#83.8)
12	796-14184-00-00	. GASKET, FLOAT CHAMBER . .	1	
13	7N6-14185-00-00	. FLOAT . . . . .	1	
14	127-14198-00-00	. GASKET . . . . .	1	
15	7R1-14162-00-00	. BOLT, HOLDING . . . . .	1	
16	JN5-14150-00-00	. NEEDLE ASSY . . . . .	1	
17	22F-14186-00-00	. PIN, FLOAT . . . . .	1	
18	1WG-14922-00-00	. SCREW, THROTTLE . . . . .	1	
19	73A-14212-10-00	. SPRING . . . . .	1	
20	98507-04010-00	. SCREW, PAN HEAD . . . . .	1	
21	92990-05100-00	. WASHER, LOCK . . . . .	1	
22	7E1-14191-00-00	. PLUG, DRAIN . . . . .	1	
23	73A-14212-00-00	. SCREW, PILOT ADJUSTING . .	1	
24	7LV-14118-00-00	. CAP . . . . .	1	
25	1KT-14197-01-00	. VENT HOSE . . . . .	1	JN6-216891~

## CONTENTS

ACCELERATOR	B10
AIR SHROUD FAN	A6
BODY 1	C8-9
BODY 2	C10-11
BODY FITTING	C12
BRAKE 1	B6-7
BRAKE 2	B8
BRAKE 3	B9
BUMPER	C7
CAMSHAFT VALVE	A5
CARBURETOR	A8
CARRIER	D1
CRANKCASE	A10
CRANKSHAFT PISTON	A4
CYLINDER HEAD	A3
ELECTRICAL 1	D6
ELECTRICAL 2	D7-8
ENGINE ASSEMBLY	A2
ENGINE MOUNT	A11
EXHAUST	A9
FRAME	B1
FRONT SUSPENSION WHEEL	B2-3
FUEL TANK	B5
GOVERNOR	B11
INTAKE	A7
OPTIONAL HUB CAPS	D9
OPTIONAL LIGHT KIT	E2
OPTIONAL LIGHT KIT	
STREAMLINE JU0	E3-4
OPTIONAL SUN ROOF JN3	D12
OPTIONAL SUN ROOF JN6	E1
OPTIONAL WINDSHIELD JN3	D10
OPTIONAL WINDSHIELD JN6	D11
PRIMARY CLUTCH	B12
REAR ARM SUSPENSION	A12
REAR AXLE MOUNT WHEEL	C5
SEAT	D2-3
SECONDARY SHEAVE	C1
SHIFTER CABLES	C6
STARTER GENERATOR	D4-5
STEERING	B4
TRANSAXLE	C2-4
~MODELS IN THIS CATALOG	E5

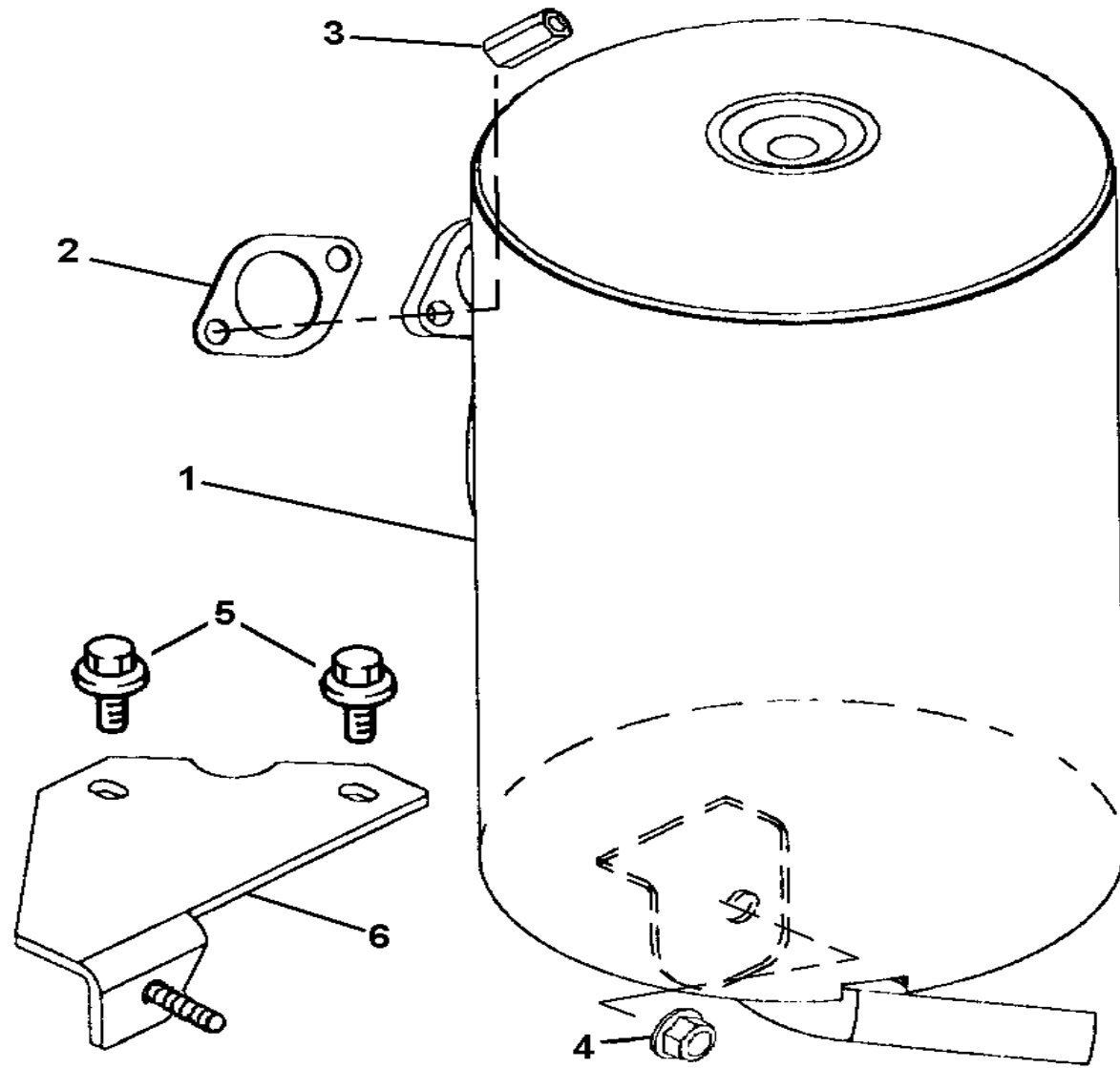


# EXHAUST

Ref. No.	Part Number	Description	Qty	Remarks
1	JN6-E4710-00-00	MUFFLER ASSEMBLY .....	1	
2	7KY-14613-01-00	GASKET, EXHAUST 1 .....	1	
3	90179-08879-00	NUT .....	2	
4	90185-08841-00	NUT, U-FLANGE .....	1	
5	90119-08825-00	BOLT, HEX HEAD WITH WASHER .....	2	
6	JN6-F1435-01-00	BRACKET, MUFFLER .....	1	~JN6-400100
	JN6-F1435-10-00	BRACKET, MUFFLER .....	1	JN6-400101~

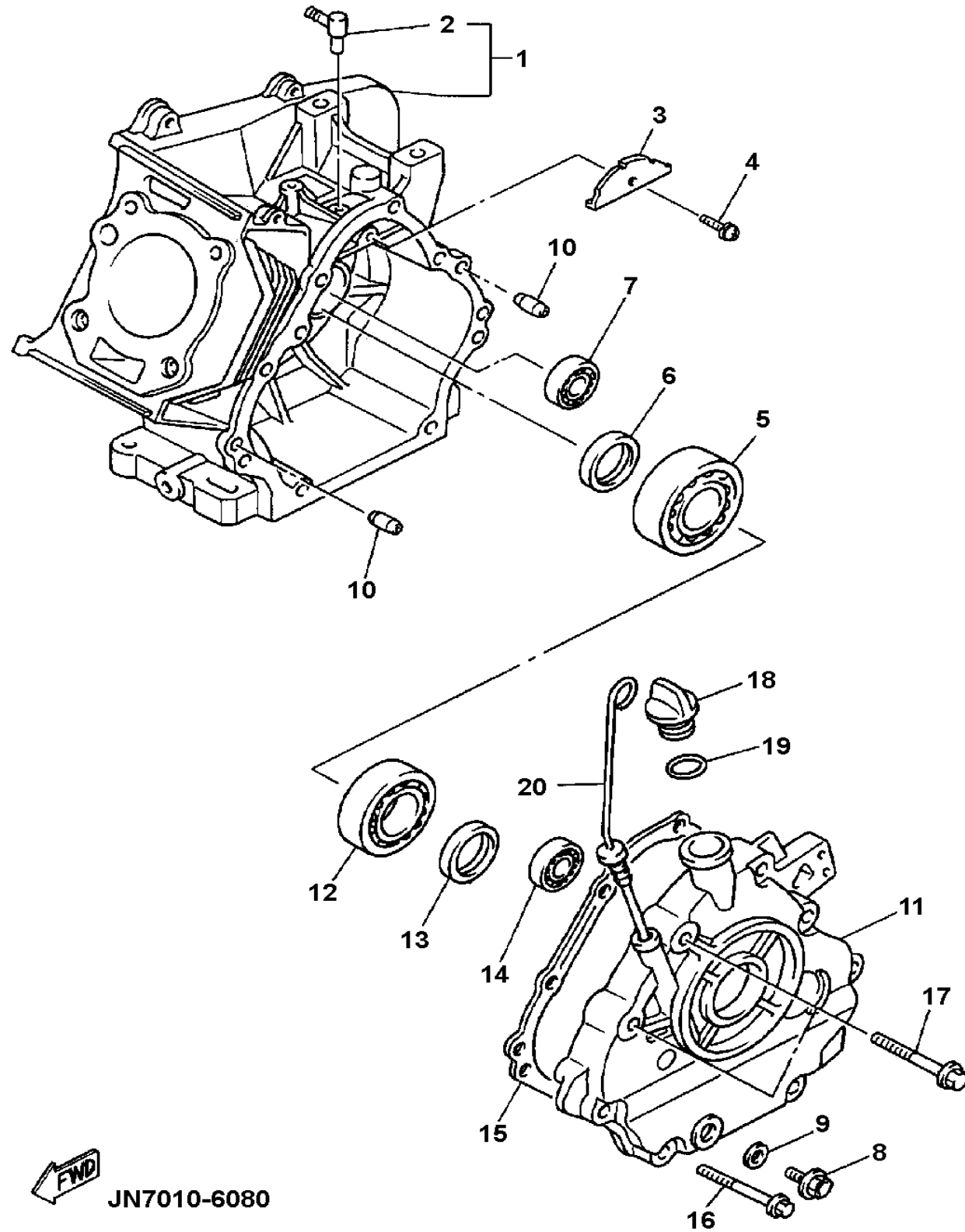
## CONTENTS

ACCELERATOR	B10
AIR SHROUD FAN	A6
BODY 1	C8-9
BODY 2	C10-11
BODY FITTING	C12
BRAKE 1	B6-7
BRAKE 2	B8
BRAKE 3	B9
BUMPER	C7
CAMSHAFT VALVE	A5
CARBURETOR	A8
CARRIER	D1
CRANKCASE	A10
CRANKSHAFT PISTON	A4
CYLINDER HEAD	A3
ELECTRICAL 1	D6
ELECTRICAL 2	D7-8
ENGINE ASSEMBLY	A2
ENGINE MOUNT	A11
EXHAUST	A9
FRAME	B1
FRONT SUSPENSION WHEEL	B2-3
FUEL TANK	B5
GOVERNOR	B11
INTAKE	A7
OPTIONAL HUB CAPS	D9
OPTIONAL LIGHT KIT	E2
OPTIONAL LIGHT KIT	
STREAMLINE JU0	E3-4
OPTIONAL SUN ROOF JN3	D12
OPTIONAL SUN ROOF JN6	E1
OPTIONAL WINDSHIELD JN3	D10
OPTIONAL WINDSHIELD JN6	D11
PRIMARY CLUTCH	B12
REAR ARM SUSPENSION	A12
REAR AXLE MOUNT WHEEL	C5
SEAT	D2-3
SECONDARY SHEAVE	C1
SHIFTER CABLES	C6
STARTER GENERATOR	D4-5
STEERING	B4
TRANSAXLE	C2-4
~MODELS IN THIS CATALOG	E5



JN6100-6021

# CRANKCASE



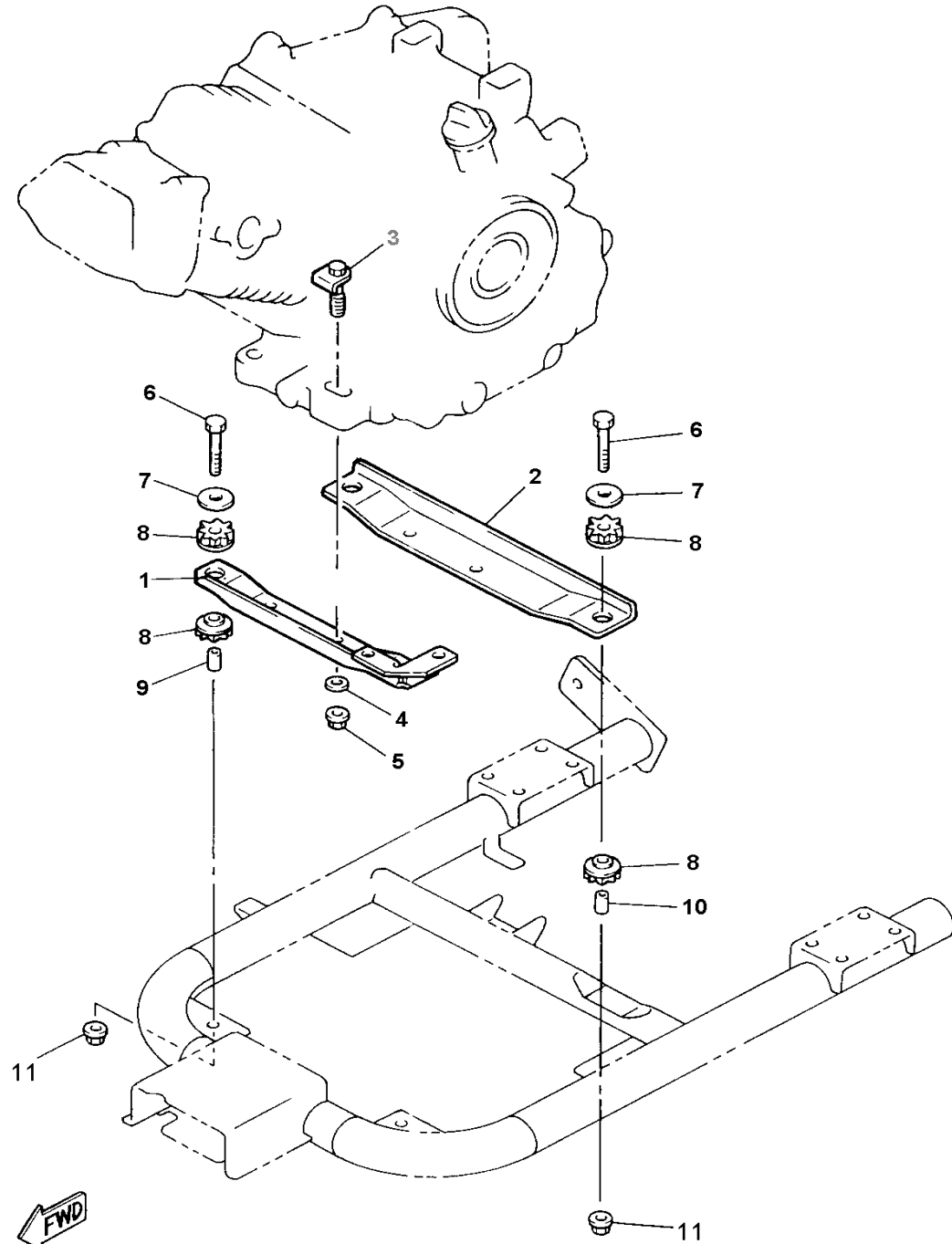
Ref. No.	Part Number	Description	Qty	Remarks
1	JN6-15100-02-00	CRANKCASE ASSEMBLY	1	
2	JN6-15155-00-00	. NOZZLE 3	1	
3	JN6-15123-00-00	PLATE, BAFFLE	1	
4	90159-06107-00	SCREW, WITH WASHER	1	
5	93306-30709-00	BEARING	1	
6	93102-35191-00	OIL SEAL	1	
7	93306-20211-00	BEARING	1	
8	90340-12097-00	PLUG, STRAIGHT SCREW	1	
9	812-11198-00-00	GASKET	1	
10	99510-08016-00	PIN, DOWEL	2	
11	JN6-15411-00-00	COVER, CRANKCASE 1	1	
12	93306-20716-00	BEARING	1	
13	93102-35191-00	OIL SEAL	1	
14	93306-20211-00	BEARING	1	
15	JN6-15451-00-00	GASKET, CRANKCASE	1	
16	95817-08045-00	BOLT, FLANGE	6	
17	95817-10050-00	BOLT, FLANGE	2	
18	796-15363-01-00	PLUG, OIL	1	
19	93210-22344-00	O-RING	1	
20	J38-15361-00-00	GAUGE, LEVEL	1	

## CONTENTS

ACCELERATOR	B10
AIR SHROUD FAN	A6
BODY 1	C8-9
BODY 2	C10-11
BODY FITTING	C12
BRAKE 1	B6-7
BRAKE 2	B8
BRAKE 3	B9
BUMPER	C7
CAMSHAFT VALVE	A5
CARBURETOR	A8
CARRIER	D1
CRANKCASE	A10
CRANKSHAFT PISTON	A4
CYLINDER HEAD	A3
ELECTRICAL 1	D6
ELECTRICAL 2	D7-8
ENGINE ASSEMBLY	A2
ENGINE MOUNT	A11
EXHAUST	A9
FRAME	B1
FRONT SUSPENSION WHEEL	B2-3
FUEL TANK	B5
GOVERNOR	B11
INTAKE	A7
OPTIONAL HUB CAPS	D9
OPTIONAL LIGHT KIT	E2
OPTIONAL LIGHT KIT	
STREAMLINE JU0	E3-4
OPTIONAL SUN ROOF JN3	D12
OPTIONAL SUN ROOF JN6	E1
OPTIONAL WINDSHIELD JN3	D10
OPTIONAL WINDSHIELD JN6	D11
PRIMARY CLUTCH	B12
REAR ARM SUSPENSION	A12
REAR AXLE MOUNT WHEEL	C5
SEAT	D2-3
SECONDARY SHEAVE	C1
SHIFTER CABLES	C6
STARTER GENERATOR	D4-5
STEERING	B4
TRANSAXLE	C2-4
-MODELS IN THIS CATALOG	E5

JN7010-6080

# ENGINE MOUNT



JR2010-7090

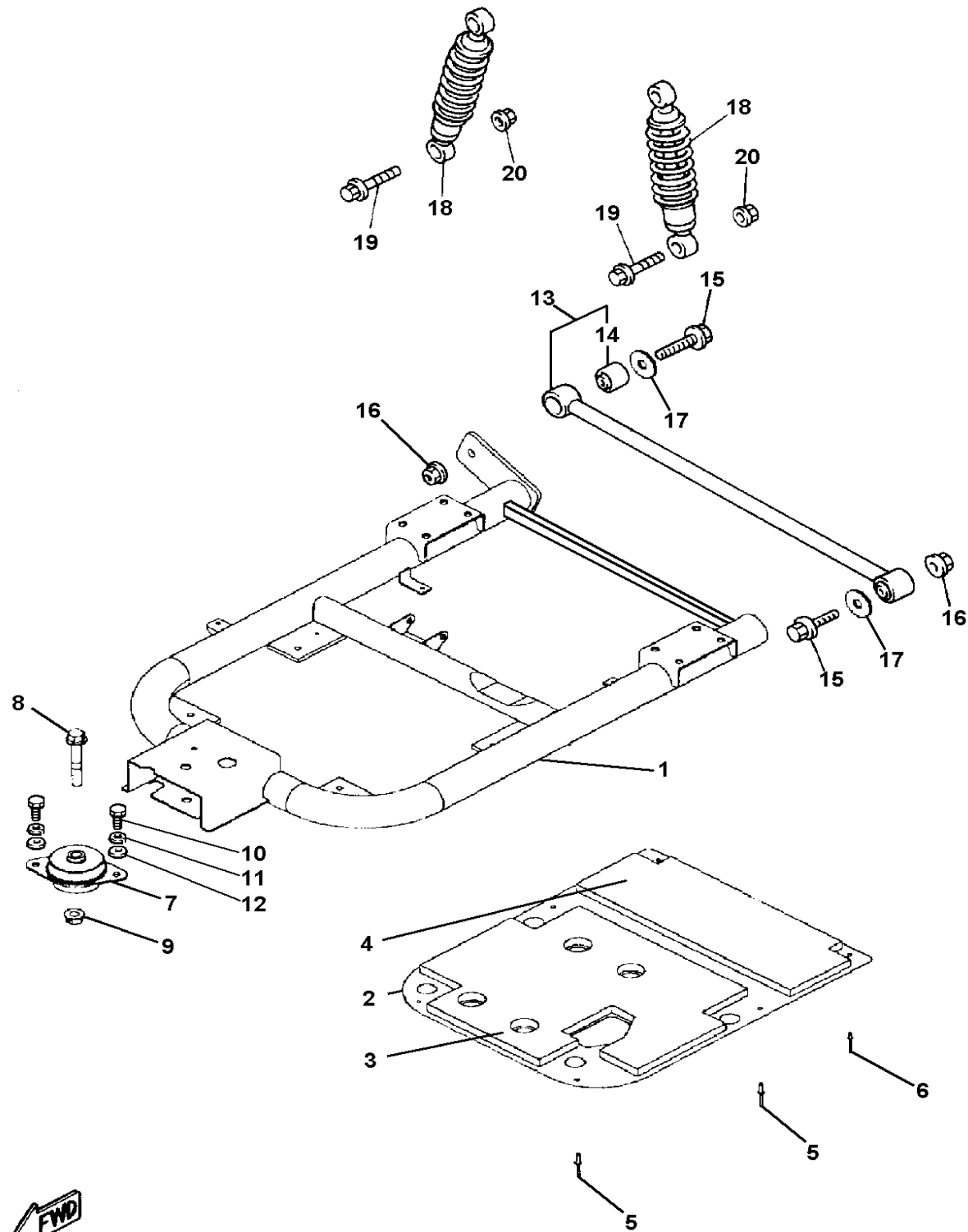
**NOTE A:** Ref #2 and #10 must be used as a set if installed on early units, from Frame # JN6-000101~008709.

Ref. No.	Part Number	Description	Qty	Remarks
1	JN6-F1411-00-00	BRACKET, ENGINE 1	1	
2	JN6-F1419-00-00	BRACKET, ENGINE 2	1	JN6-000101~008709
	JN6-F1419-02-00	BRACKET, ENGINE 2	1	JN6-008710~, SEE NOTE A
3	JN6-F1481-00-00	BOLT, ENGINE	4	
4	92907-10200-00	WASHER, PLAIN	4	
5	95607-10200-00	NUT, (RH THREAD)	4	
6	90101-08870-00	BOLT, HEX	4	
7	90201-088K6-00	WASHER, PLAIN	4	
8	JN6-F1486-00-00	DAMPER, 2	8	
9	JN6-F1459-00-00	SPACER	2	
10	JN6-F1459-00-00	SPACER	2	JN6-000101~008709
	JN6-F1459-10-00	SPACER	2	JN6-008710~, SEE NOTE A
11	95617-08200-00	NUT, U-FLANGE (95607-08200-00)	4	

## CONTENTS

ACCELERATOR	B10
AIR SHROUD FAN	A6
BODY 1	C8-9
BODY 2	C10-11
BODY FITTING	C12
BRAKE 1	B6-7
BRAKE 2	B8
BRAKE 3	B9
BUMPER	C7
CAMSHAFT VALVE	A5
CARBURETOR	A8
CARRIER	D1
CRANKCASE	A10
CRANKSHAFT PISTON	A4
CYLINDER HEAD	A3
ELECTRICAL 1	D6
ELECTRICAL 2	D7-8
ENGINE ASSEMBLY	A2
ENGINE MOUNT	A11
EXHAUST	A9
FRAME	B1
FRONT SUSPENSION WHEEL	B2-3
FUEL TANK	B5
GOVERNOR	B11
INTAKE	A7
OPTIONAL HUB CAPS	D9
OPTIONAL LIGHT KIT	E2
OPTIONAL LIGHT KIT	E2
STREAMLINE JU0	E3-4
OPTIONAL SUN ROOF JN3	D12
OPTIONAL SUN ROOF JN6	E1
OPTIONAL WINDSHIELD JN3	D10
OPTIONAL WINDSHIELD JN6	D11
PRIMARY CLUTCH	B12
REAR ARM SUSPENSION	A12
REAR AXLE MOUNT WHEEL	C5
SEAT	D2-3
SECONDARY SHEAVE	C1
SHIFTER CABLES	C6
STARTER GENERATOR	D4-5
STEERING	B4
TRANSAXLE	C2-4
~MODELS IN THIS CATALOG	E5

# REAR ARM SUSPENSION



Ref. No.	Part Number	Description	Qty	Remarks
1	JN6-F2110-01-00	REAR ARM COMP. ....	1	
2	JN6-F2128-01-00	COVER, 1 ....	1	
3	JN6-F211E-01-00	PANEL, INNER ....	1	
4	JN6-F211G-01-00	PANEL, INNER ....	1	
5	90267-48850-00	RIVET, BLIND ....	4	
6	90267-40851-00	RIVET, BLIND ....	2	
7	JN6-F2123-01-00	BUSHING, 1 ....	1	
8	90105-13864-00	BOLT, FLANGE ....	1	
9	90179-13878-00	NUT ....	1	
10	97017-10020-00	BOLT, HEX HEAD ....	2	
11	92907-10100-00	WASHER, LOCK ....	2	
12	92907-10600-00	WASHER, PLATE ....	2	
13	JN6-F2172-00-00	ROD, CONNECTING ....	1	
14	JN6-F2124-00-00	BUSHING, 2 ....	2	
15	95817-12065-00	BOLT, FLANGE ....	2	
16	95617-12200-00	NUT, SELF-LOCKING ....	2	
17	90201-12426-00	WASHER, PLAIN ....	2	
18	JN3-F2210-00-00	SHOCK ABSORBER ....	2	
19	95807-10055-00	BOLT, FLANGE ....	4	
20	95617-10200-00	NUT, SELF-LOCKING ....	4	

## CONTENTS

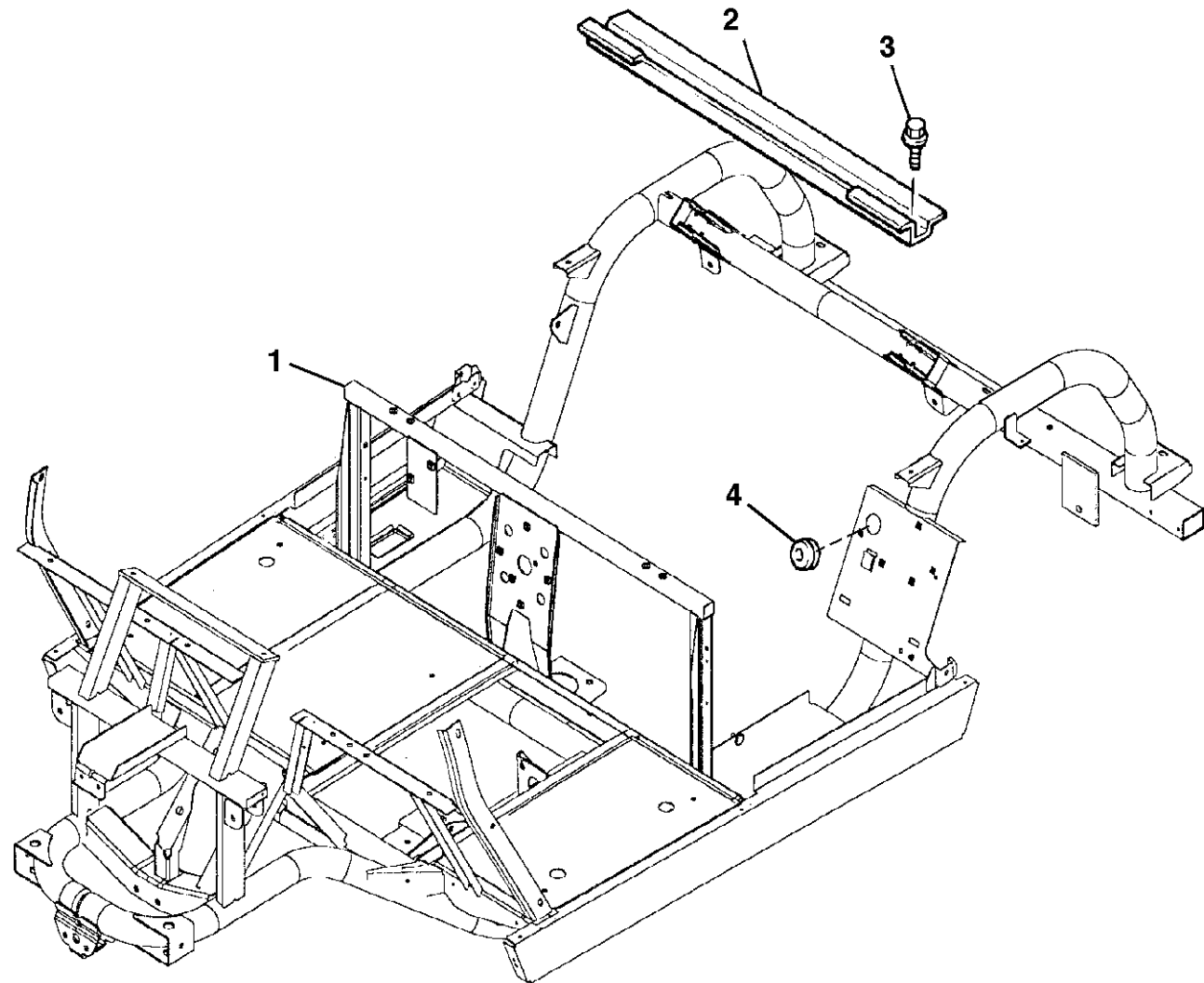
ACCELERATOR	B10
AIR SHROUD FAN	A6
BODY 1	C8-9
BODY 2	C10-11
BODY FITTING	C12
BRAKE 1	B6-7
BRAKE 2	B8
BRAKE 3	B9
BUMPER	C7
CAMSHAFT VALVE	A5
CARBURETOR	A8
CARRIER	D1
CRANKCASE	A10
CRANKSHAFT PISTON	A4
CYLINDER HEAD	A3
ELECTRICAL 1	D6
ELECTRICAL 2	D7-8
ENGINE ASSEMBLY	A2
ENGINE MOUNT	A11
EXHAUST	A9
FRAME	B1
FRONT SUSPENSION WHEEL	B2-3
FUEL TANK	B5
GOVERNOR	B11
INTAKE	A7
OPTIONAL HUB CAPS	D9
OPTIONAL LIGHT KIT	E2
OPTIONAL LIGHT KIT	
STREAMLINE JU0	E3-4
OPTIONAL SUN ROOF JN3	D12
OPTIONAL SUN ROOF JN6	E1
OPTIONAL WINDSHIELD JN3	D10
OPTIONAL WINDSHIELD JN6	D11
PRIMARY CLUTCH	B12
REAR ARM SUSPENSION	A12
REAR AXLE MOUNT WHEEL	C5
SEAT	D2-3
SECONDARY SHEAVE	C1
SHIFTER CABLES	C6
STARTER GENERATOR	D4-5
STEERING	B4
TRANSAXLE	C2-4
-MODELS IN THIS CATALOG	E5

# FRAME

Ref. No.	Part Number	Description	Qty	Remarks
1	JN6-F2501-01-00	FRAME COMP. ....	1	
2	JN6-F254R-00-00	SUPPORT, BODY MOUNTING .	1	
3	95817-08016-00	BOLT, FLANGE .....	2	
4	90480-25856-00	GROMMET .....	1	

## CONTENTS

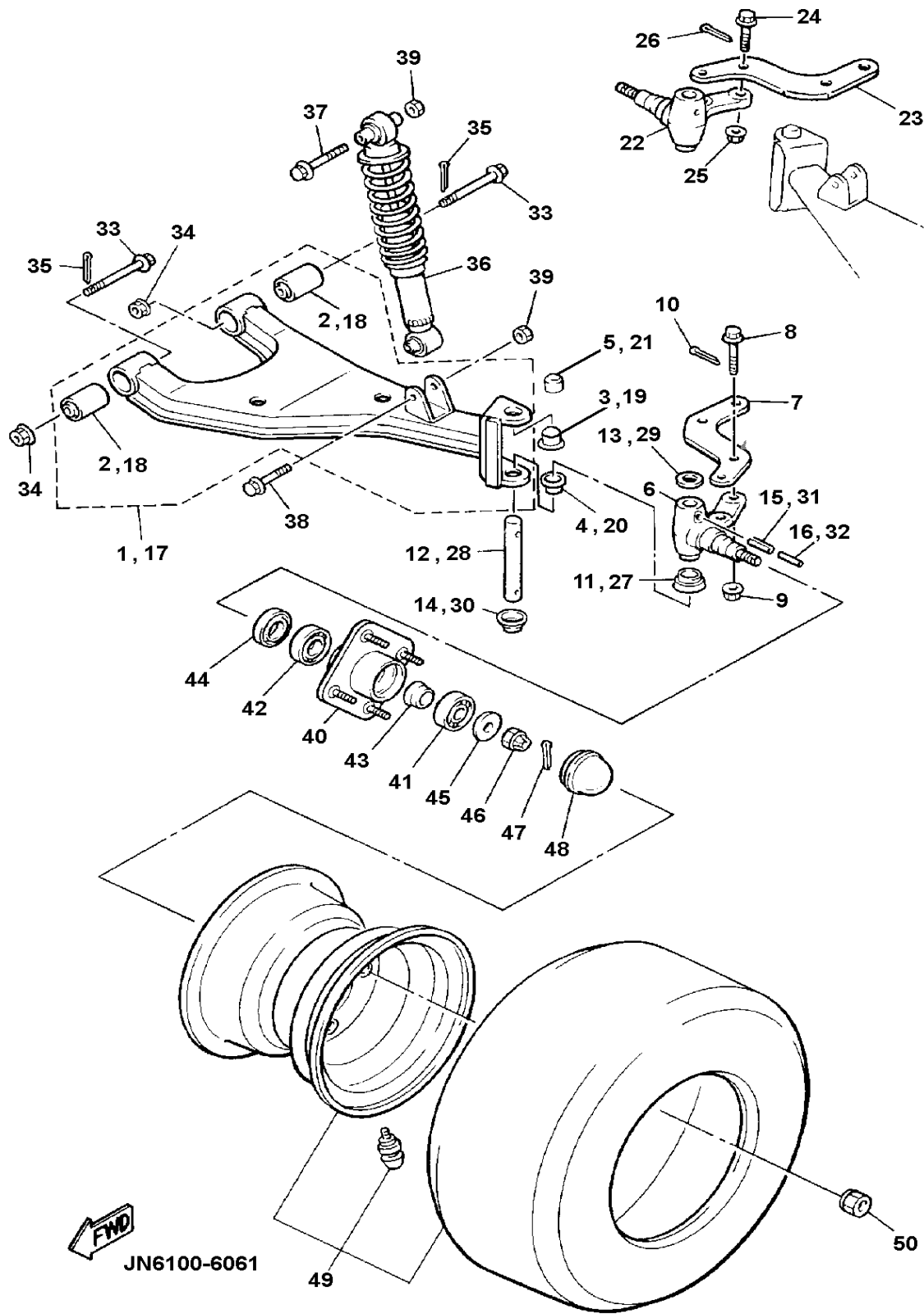
ACCELERATOR	B10
AIR SHROUD FAN	A6
BODY 1	C8-9
BODY 2	C10-11
BODY FITTING	C12
BRAKE 1	B6-7
BRAKE 2	B8
BRAKE 3	B9
BUMPER	C7
CAMSHAFT VALVE	A5
CARBURETOR	A8
CARRIER	D1
CRANKCASE	A10
CRANKSHAFT PISTON	A4
CYLINDER HEAD	A3
ELECTRICAL 1	D6
ELECTRICAL 2	D7-8
ENGINE ASSEMBLY	A2
ENGINE MOUNT	A11
EXHAUST	A9
FRAME	B1
FRONT SUSPENSION WHEEL	B2-3
FUEL TANK	B5
GOVERNOR	B11
INTAKE	A7
OPTIONAL HUB CAPS	D9
OPTIONAL LIGHT KIT	E2
OPTIONAL LIGHT KIT	
STREAMLINE JU0	E3-4
OPTIONAL SUN ROOF JN3	D12
OPTIONAL SUN ROOF JN6	E1
OPTIONAL WINDSHIELD JN3	D10
OPTIONAL WINDSHIELD JN6	D11
PRIMARY CLUTCH	B12
REAR ARM SUSPENSION	A12
REAR AXLE MOUNT WHEEL	C5
SEAT	D2-3
SECONDARY SHEAVE	C1
SHIFTER CABLES	C6
STARTER GENERATOR	D4-5
STEERING	B4
TRANSAXLE	C2-4
-MODELS IN THIS CATALOG	E5



JN6100-6051

B1

# FRONT SUSPENSION WHEEL



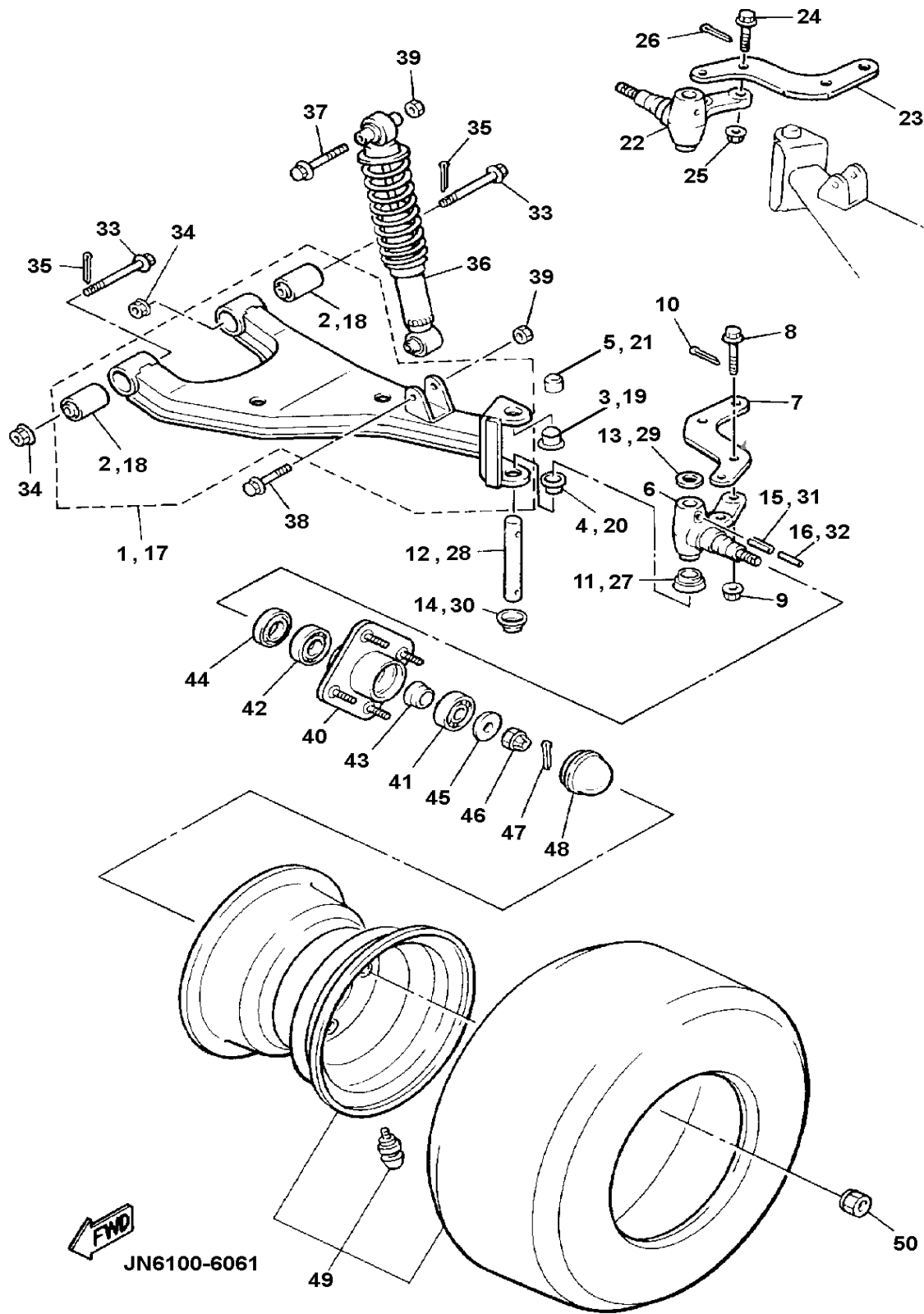
Ref. No.	Part Number	Description	Qty	Remarks
1	JN6-F3570-00-00	FRONT LOWER ARM, LEFT ..	1	
2	JN6-F3526-00-00	. BUSHING, ARM .....	1	
3	90384-15826-00	BUSH, BIMETAL .....	1	UR, JN6-218263~
4	90384-15825-00	BUSH, BIMETAL .....	1	UR, JN6-218263~
5	90334-19800-00	PLUG, STRAIGHT .....	1	UR, JN6-218263~
6	JN6-F3511-00-00	KNUCKLE, STEERING .....	1	
7	JN3-F3512-00-00	ARM, KNUCKLE .....	1	
8	95814-10040-00	BOLT, FLANGE .....	2	
9	95617-10200-00	NUT, SELF-LOCKING .....	2	
10	91490-25020-00	PIN, COTTER .....	2	
11	J38-23527-00-00	SEAL, DUST .....	1	
12	J38-23516-00-00	PIN, STEERING KNUCKLE ...	1	
13	90201-156J2-00	WASHER, PLAIN .....	1	
14	J38-23528-00-00	SEAL, DUST .....	1	
15	91609-60028-00	PIN, SPRING .....	1	
16	91609-35028-00	PIN, SPRING .....	1	
17	JN6-F3580-00-00	FRONT LOWER ARM, RIGHT .	1	
18	JN6-F3526-00-00	. BUSHING, ARM .....	1	
19	90384-15825-00	BUSH, BIMETAL .....	1	
20	903384-15825-00	BUSH, BIMETAL .....	1	
21	90334-19800-00	PLUG, STRAIGHT .....	1	
22	JN6-F3521-00-00	KNUCKLE, STEERING .....	1	
23	JN3-F3512-00-00	ARM, KNUCKLE .....	1	
24	95814-10040-00	BOLT, FLANGE .....	2	
25	95607-10200-00	NUT, (RH THREAD) .....	2	
26	91490-25020-00	PIN, COTTER .....	2	
27	J38-23527-00-00	SEAL, DUST .....	1	
28	J38-23516-00-00	PIN, STEERING KNUCKLE ...	1	
29	90201-156J2-00	WASHER, PLAIN .....	1	
30	J38-23528-00-00	SEAL, DUST .....	1	

## CONTENTS

ACCELERATOR	B10
AIR SHROUD FAN	A6
BODY 1	C8-9
BODY 2	C10-11
BODY FITTING	C12
BRAKE 1	B6-7
BRAKE 2	B8
BRAKE 3	B9
BUMPER	C7
CAMSHAFT VALVE	A5
CARBURETOR	A8
CARRIER	D1
CRANKCASE	A10
CRANKSHAFT PISTON	A4
CYLINDER HEAD	A3
ELECTRICAL 1	D6
ELECTRICAL 2	D7-8
ENGINE ASSEMBLY	A2
ENGINE MOUNT	A11
EXHAUST	A9
FRAME	B1
FRONT SUSPENSION WHEEL	B2-3
FUEL TANK	B5
GOVERNOR	B11
INTAKE	A7
OPTIONAL HUB CAPS	D9
OPTIONAL LIGHT KIT	E2
OPTIONAL LIGHT KIT	
STREAMLINE JU0	E3-4
OPTIONAL SUN ROOF JN3	D12
OPTIONAL SUN ROOF JN6	E1
OPTIONAL WINDSHIELD JN3	D10
OPTIONAL WINDSHIELD JN6	D11
PRIMARY CLUTCH	B12
REAR ARM SUSPENSION	A12
REAR AXLE MOUNT WHEEL	C5
SEAT	D2-3
SECONDARY SHEAVE	C1
SHIFTER CABLES	C6
STARTER GENERATOR	D4-5
STEERING	B4
TRANSAXLE	C2-4
~MODELS IN THIS CATALOG	E5

CONTINUED ON NEXT FRAME ►

# FRONT SUSPENSION WHEEL

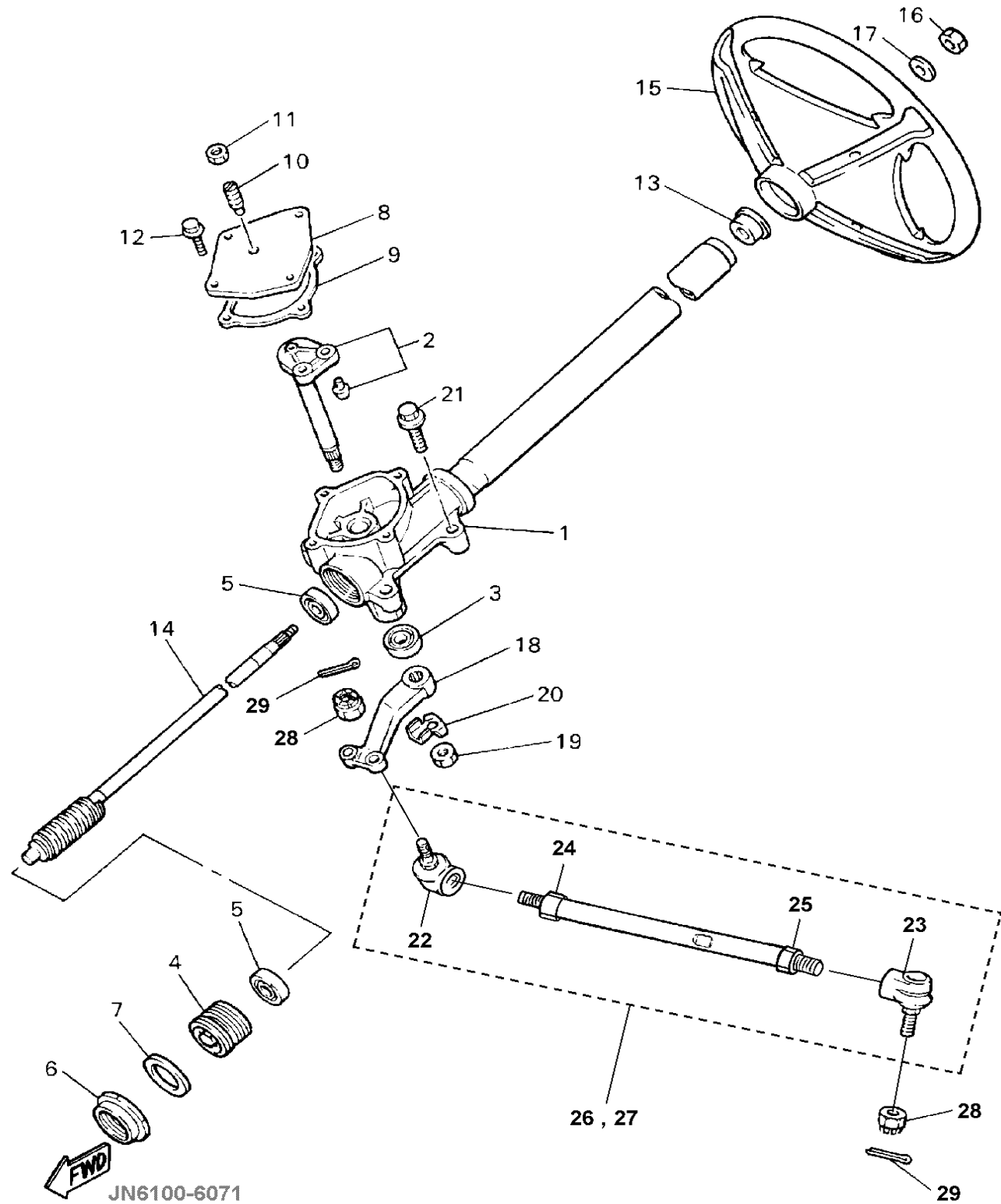


Ref. No.	Part Number	Description	Qty	Remarks
31	91609-60028-00	PIN, SPRING	1	
32	91609-35028-00	PIN, SPRING	1	
33	95817-10075-00	BOLT, FLANGE	4	
34	95607-10200-00	NUT, (RH THREAD)	4	
35	91490-25020-00	PIN, COTTER	4	
36	JN3-F3350-00-00	CUSHION ASSEMBLY.	2	
37	95817-10065-00	BOLT, FLANGE	2	
38	95817-10055-00	BOLT, FLANGE	2	
39	95607-10200-00	NUT, (RH THREAD)	4	
40	JG5-WF511-00-00	HUB	2	
41	93306-204X0-00	BEARING	2	
42	93306-005Y3-00	BEARING	2	
43	90387-241M7-00	COLLAR	2	
44	93102-30083-00	OIL SEAL	2	
45	90209-32271-00	WASHER	2	
46	95607-14100-00	NUT, U	2	
47	91490-25020-00	PIN, COTTER	2	
48	JN6-F5118-00-00	COVER, HUB DUST	2	
49	JN6-F5100-11-00	FRONT WHEEL ASSEMBLY (JG5-F5100-00-00)	2	
50	90179-12262-00	NUT	8	

## CONTENTS

ACCELERATOR	B10
AIR SHROUD FAN	A6
BODY 1	C8-9
BODY 2	C10-11
BODY FITTING	C12
BRAKE 1	B6-7
BRAKE 2	B8
BRAKE 3	B9
BUMPER	C7
CAMSHAFT VALVE	A5
CARBURETOR	A8
CARRIER	D1
CRANKCASE	A10
CRANKSHAFT PISTON	A4
CYLINDER HEAD	A3
ELECTRICAL 1	D6
ELECTRICAL 2	D7-8
ENGINE ASSEMBLY	A2
ENGINE MOUNT	A11
EXHAUST	A9
FRAME	B1
FRONT SUSPENSION WHEEL	B2-3
FUEL TANK	B5
GOVERNOR	B11
INTAKE	A7
OPTIONAL HUB CAPS	D9
OPTIONAL LIGHT KIT	E2
OPTIONAL LIGHT KIT	
STREAMLINE JU0	E3-4
OPTIONAL SUN ROOF JN3	D12
OPTIONAL SUN ROOF JN6	E1
OPTIONAL WINDSHIELD JN3	D10
OPTIONAL WINDSHIELD JN6	D11
PRIMARY CLUTCH	B12
REAR ARM SUSPENSION	A12
REAR AXLE MOUNT WHEEL	C5
SEAT	D2-3
SECONDARY SHEAVE	C1
SHIFTER CABLES	C6
STARTER GENERATOR	D4-5
STEERING	B4
TRANSAXLE	C2-4
-MODELS IN THIS CATALOG	E5

# STEERING



Ref. No.	Part Number	Description	Qty	Remarks
1	JG5-F3811-00-00	COLUMN, STEERING	1	
2	J38-23816-00-00	ARM, PITMAN	1	
3	93102-22314-00	SEAL, OIL	1	
4	J55-F3876-00-00	BOLT	1	
5	93332-000Y2-00	BEARING	2	
6	J10-23877-00-00	NUT	1	
7	J10-23444-00-00	WASHER	1	
8	JN3-F3818-00-00	COVER, STEERING	1	
9	J38-23462-01-00	SEAL, STEERING	1	
10	J10-23459-00-00	BOLT	1	
11	90170-08024-00	NUT, HEX	1	
12	95817-06020-00	BOLT, FLANGE	4	
13	JN3-F3814-00-00	HOLDER, HANDLE	1	
14	J10-23840-00-00	STEERING SHAFT	1	
15	JN3-F3838-00-00	WHEEL, STEERING	1	
16	95617-12100-00	NUT, SELF-LOCKING	1	
17	92907-12200-00	WASHER, PLAIN	1	
18	J38-23826-01-00	ARM, IDLER	1	
19	95707-16300-00	NUT, NYLON	1	
20	90215-16252-00	WASHER, TONGUE	1	
21	95817-10050-00	BOLT, FLANGE	4	
22	JN6-F3841-00-00	UNIVERSAL, JOINT (RH THREAD)	2	
23	JN6-F3845-00-00	UNIVERSAL, JOINT (LH THREAD)	2	
24	9530N-10600-00	NUT, (RH THREAD)	2	
25	90170-10414-00	NUT, (LH THREAD)	2	
26	JN6-F3850-11-00	TIE ROD ASSEMBLY, LEFT	1	
27	JN6-F3830-11-00	TIE ROD ASSEMBLY, RIGHT	1	
28	95607-10200-00	NUT, (RH THREAD)	4	
29	91490-25020-00	PIN, COTTER	4	

## CONTENTS

ACCELERATOR	B10
AIR SHROUD FAN	A6
BODY 1	C8-9
BODY 2	C10-11
BODY FITTING	C12
BRAKE 1	B6-7
BRAKE 2	B8
BRAKE 3	B9
BUMPER	C7
CAMSHAFT VALVE	A5
CARBURETOR	A8
CARRIER	D1
CRANKCASE	A10
CRANKSHAFT PISTON	A4
CYLINDER HEAD	A3
ELECTRICAL 1	D6
ELECTRICAL 2	D7-8
ENGINE ASSEMBLY	A2
ENGINE MOUNT	A11
EXHAUST	A9
FRAME	B1
FRONT SUSPENSION WHEEL	B2-3
FUEL TANK	B5
GOVERNOR	B11
INTAKE	A7
OPTIONAL HUB CAPS	D9
OPTIONAL LIGHT KIT	E2
OPTIONAL LIGHT KIT	
STREAMLINE JU0	E3-4
OPTIONAL SUN ROOF JN3	D12
OPTIONAL SUN ROOF JN6	E1
OPTIONAL WINDSHIELD JN3	D10
OPTIONAL WINDSHIELD JN6	D11
PRIMARY CLUTCH	B12
REAR ARM SUSPENSION	A12
REAR AXLE MOUNT WHEEL	C5
SEAT	D2-3
SECONDARY SHEAVE	C1
SHIFTER CABLES	C6
STARTER GENERATOR	D4-5
STEERING	B4
TRANSAXLE	C2-4
-MODELS IN THIS CATALOG	E5

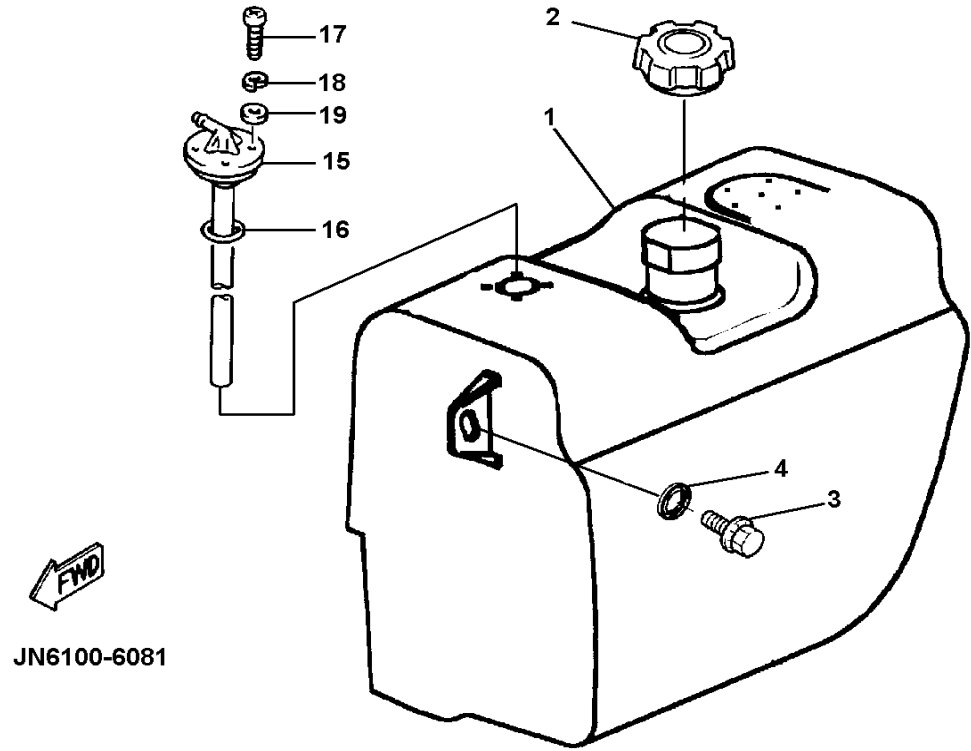


# FUEL TANK

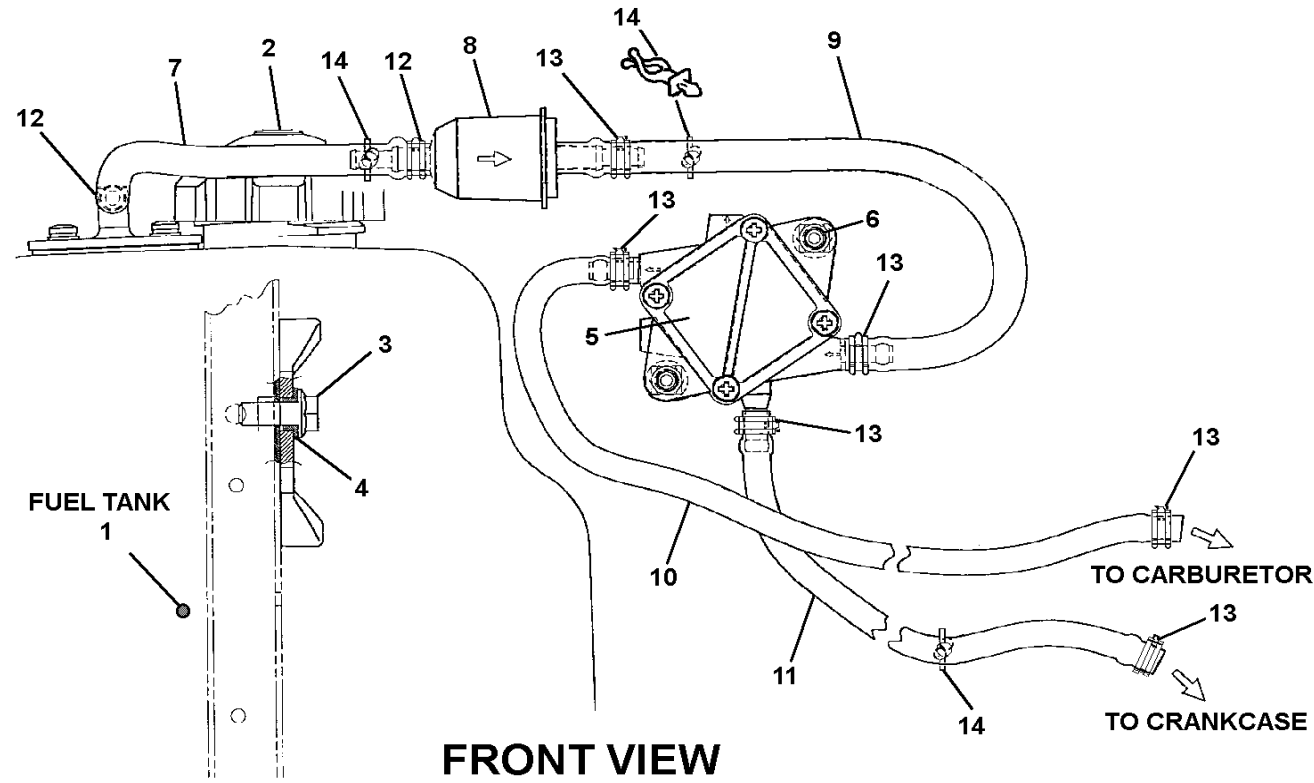
Ref. No.	Part Number	Description	Qty	Remarks
1	JN6-F4110-01-00	FUEL TANK COMP .....	1	
2	JN6-F4610-00-00	CAP ASSY .....	1	
3	95817-08020-00	BOLT, FLANGE .....	2	
4	90560-08066-00	SPACER .....	2	
5	JN6-F4410-00-00	FUEL PUMP ASSY .....	1	
6	95817-06016-00	BOLT, FLANGE .....	2	
7	JN6-F4312-00-00	PIPE, 2 .....	1	
8	JN3-F4560-00-00	FILTER ASSEMBLY. ....	1	
9	JN6-F4311-00-00	PIPE, FUEL .....	1	
10	JN6-F4313-00-00	PIPE, 3 .....	1	
11	JN6-F4314-00-00	PIPE, 4 .....	1	
12	90467-12845-00	CLIP .....	2	RED
13	90467-10846-00	CLIP .....	6	GREEN
14	90464-11816-00	CLAMP .....	3	
15	JN3-F4300-02-00	FUEL PIPE JOINT .....	1	
16	93210-228C4-00	O-RING .....	1	
17	98507-05014-00	SCREW, PAN HEAD .....	4	
18	92907-05100-00	WASHER, LOCK .....	4	
19	92907-05600-00	WASHER, PLATE .....	4	

## CONTENTS

ACCELERATOR	B10
AIR SHROUD FAN	A6
BODY 1	C8-9
BODY 2	C10-11
BODY FITTING	C12
BRAKE 1	B6-7
BRAKE 2	B8
BRAKE 3	B9
BUMPER	C7
CAMSHAFT VALVE	A5
CARBURETOR	A8
CARRIER	D1
CRANKCASE	A10
CRANKSHAFT PISTON	A4
CYLINDER HEAD	A3
ELECTRICAL 1	D6
ELECTRICAL 2	D7-8
ENGINE ASSEMBLY	A2
ENGINE MOUNT	A11
EXHAUST	A9
FRAME	B1
FRONT SUSPENSION WHEEL	B2-3
FUEL TANK	B5
GOVERNOR	B11
INTAKE	A7
OPTIONAL HUB CAPS	D9
OPTIONAL LIGHT KIT	E2
OPTIONAL LIGHT KIT	
STREAMLINE JU0	E3-4
OPTIONAL SUN ROOF JN3	D12
OPTIONAL SUN ROOF JN6	E1
OPTIONAL WINDSHIELD JN3	D10
OPTIONAL WINDSHIELD JN6	D11
PRIMARY CLUTCH	B12
REAR ARM SUSPENSION	A12
REAR AXLE MOUNT WHEEL	C5
SEAT	D2-3
SECONDARY SHEAVE	C1
SHIFTER CABLES	C6
STARTER GENERATOR	D4-5
STEERING	B4
TRANSAXLE	C2-4
-MODELS IN THIS CATALOG	E5



JN6100-6081



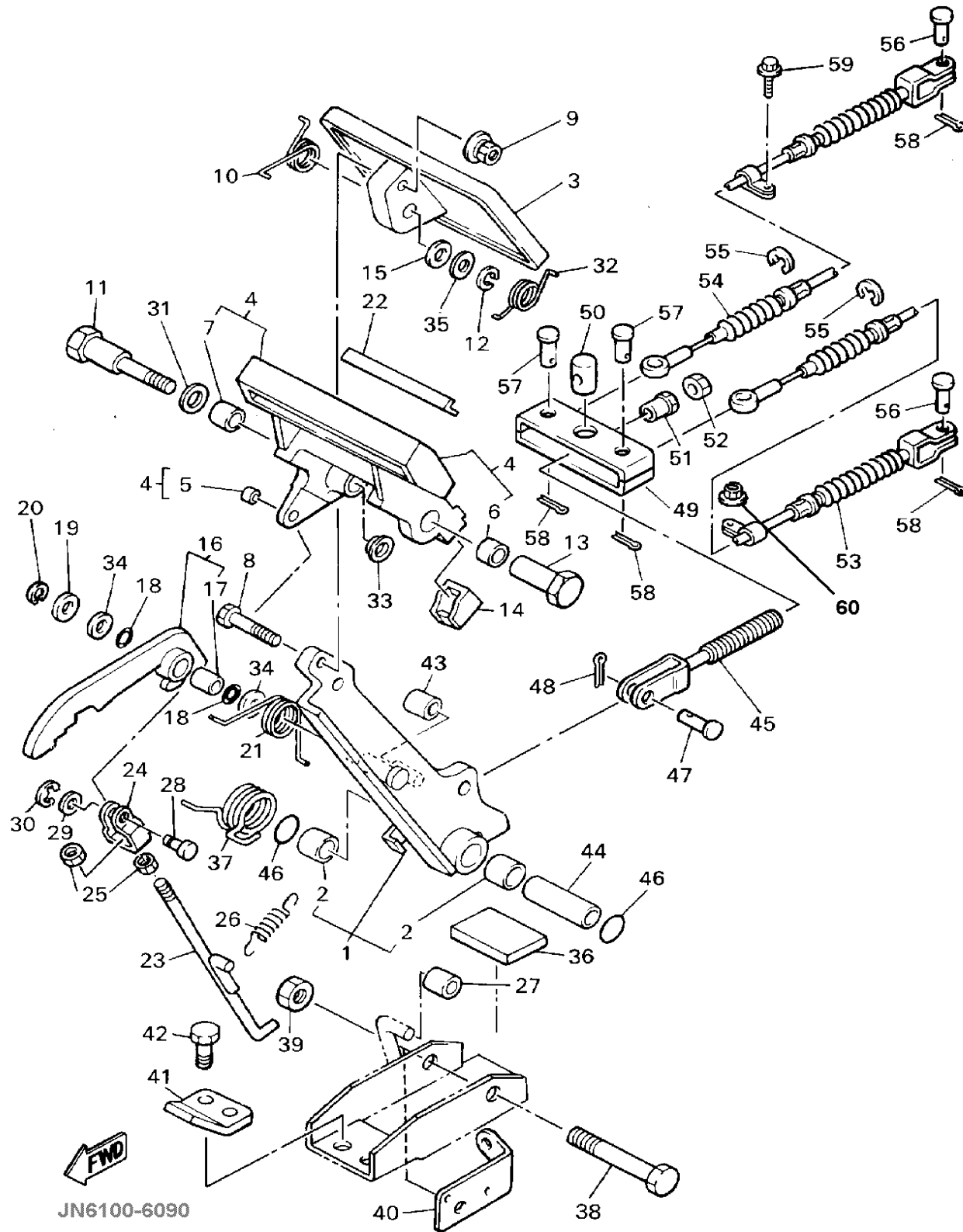
FUEL TANK  
1

FRONT VIEW

TO CARBURETOR

TO CRANKCASE

# BRAKE 1



JN6100-6090

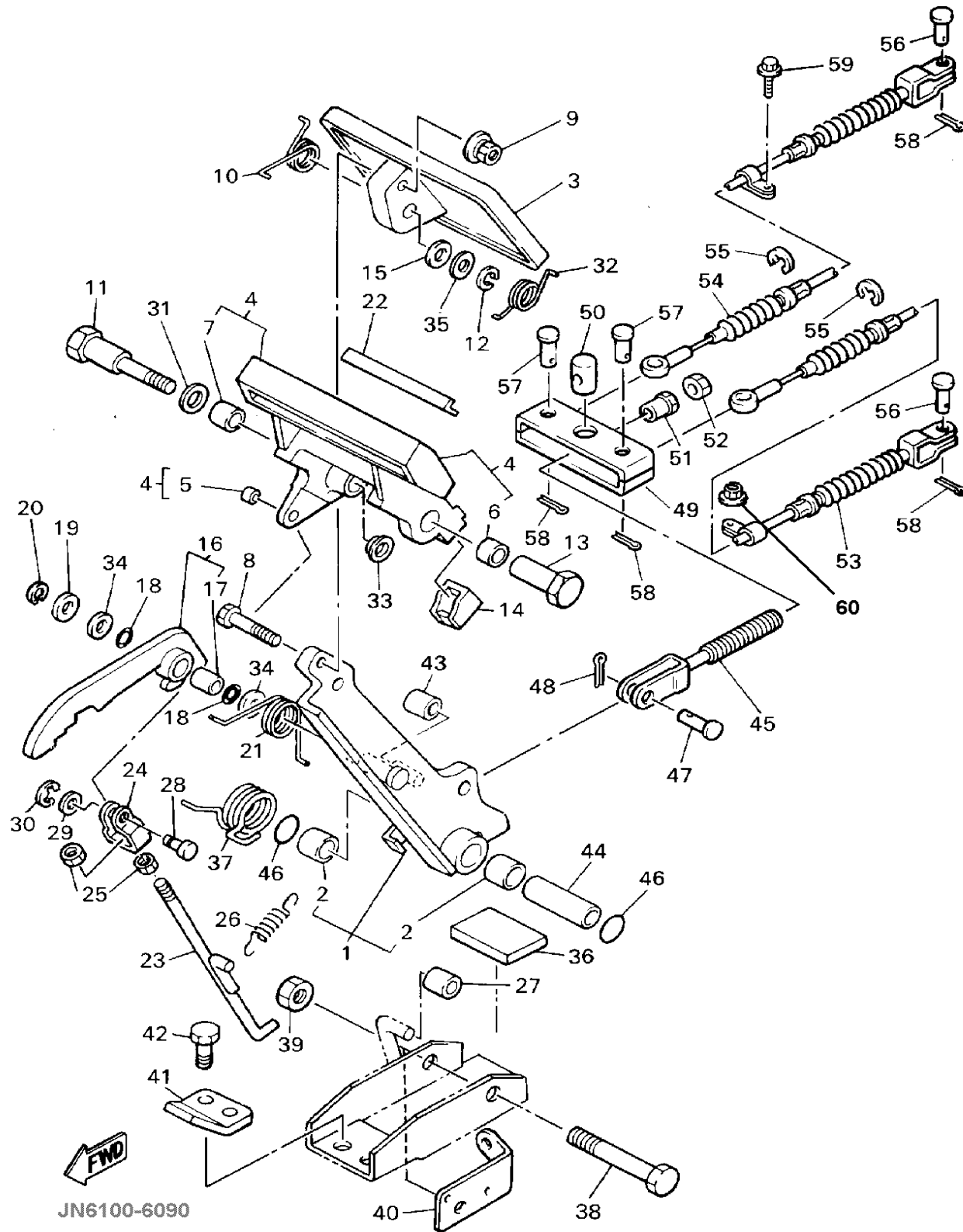
Ref. No.	Part Number	Description	Qty	Remarks
1	J46-27250-03-00	BRAKE ARM COMP. ....	1	
2	90384-14080-00	. BUSH, BIMETAL ....	2	
3	J10-27211-00-00	PEDAL, BRAKE ....	1	
4	J17-25670-01-00	PARKING BRAKE COMP. ....	1	
5	90384-05163-00	. BUSH, BIMETAL ....	1	
6	90384-12164-00	. BUSH, BIMETAL ....	1	
7	90380-12051-00	. BUSH, SOLID ....	1	
8	90101-06555-00	BOLT, HEX ....	1	
9	90179-06387-00	NUT ....	1	
10	90508-23542-00	SPRING, TORSION ....	1	
11	90109-08669-00	BOLT ....	1	
12	92907-08100-00	WASHER, SPRING ....	1	
13	90179-08378-00	NUT ....	1	
14	J17-25679-01-00	DAMPER ....	2	
15	92907-08200-00	WASHER, PLAIN ....	1	
16	J17-W2561-02-00	SECTOR, PARKING BRAKE ..	1	
17	90384-10162-00	. BUSH, BIMETAL ....	1	
18	J17-27221-00-00	SEAL, SHAFT ....	2	
19	92907-10600-00	WASHER, PLATE ....	1	
20	99080-07600-00	CIRCLIP (E) ....	1	
21	90508-14548-00	SPRING, TORSION ....	1	
22	J17-25672-01-00	PAD, PARKING ....	1	
23	J17-27231-03-00	ROD, BRAKE ....	1	
24	J17-27232-00-00	END, ROD ....	1	
25	95317-06700-00	NUT, HEX ....	2	
26	90506-08526-00	SPRING, TENSION ....	1	
27	J17-25673-00-00	DAMPER, BRAKE ....	1	
28	J17-27228-00-00	PIN, LINK JOINT ....	1	
29	92907-05600-00	WASHER, PLATE ....	1	
30	99080-04600-00	CIRCLIP(E) ....	1	

## CONTENTS

ACCELERATOR	B10
AIR SHROUD FAN	A6
BODY 1	C8-9
BODY 2	C10-11
BODY FITTING	C12
BRAKE 1	B6-7
BRAKE 2	B8
BRAKE 3	B9
BUMPER	C7
CAMSHAFT VALVE	A5
CARBURETOR	A8
CARRIER	D1
CRANKCASE	A10
CRANKSHAFT PISTON	A4
CYLINDER HEAD	A3
ELECTRICAL 1	D6
ELECTRICAL 2	D7-8
ENGINE ASSEMBLY	A2
ENGINE MOUNT	A11
EXHAUST	A9
FRAME	B1
FRONT SUSPENSION WHEEL	B2-3
FUEL TANK	B5
GOVERNOR	B11
INTAKE	A7
OPTIONAL HUB CAPS	D9
OPTIONAL LIGHT KIT	E2
OPTIONAL LIGHT KIT	
STREAMLINE JU0	E3-4
OPTIONAL SUN ROOF JN3	D12
OPTIONAL SUN ROOF JN6	E1
OPTIONAL WINDSHIELD JN3	D10
OPTIONAL WINDSHIELD JN6	D11
PRIMARY CLUTCH	B12
REAR ARM SUSPENSION	A12
REAR AXLE MOUNT WHEEL	C5
SEAT	D2-3
SECONDARY SHEAVE	C1
SHIFTER CABLES	C6
STARTER GENERATOR	D4-5
STEERING	B4
TRANSAXLE	C2-4
-MODELS IN THIS CATALOG	E5

CONTINUED ON NEXT FRAME ►

# BRAKE 1



Ref. No.	Part Number	Description	Qty	Remarks
31	90201-123F2-00	WASHER, PLAIN	1	
32	90508-26557-00	SPRING, TORSION	1	
33	90380-12105-00	BUSH, SOLID	1	
34	90201-104G8-00	WASHER, PLAIN	2	
35	J55-27226-00-00	WASHER, LINK	1	
36	JN3-F7245-00-00	PAD, BRAKE PEDAL	1	
37	90508-405A9-00	SPRING, TORSION	1	
38	90101-10447-00	BOLT, HEX	1	
39	95617-10200-00	NUT, SELF-LOCKING	1	
40	J55-2252M-00-00	BRACKET	1	
41	J17-27246-00-00	NAIL, BRAKE	1	
42	95817-08020-00	BOLT, FLANGE	2	
43	J17-25673-00-00	DAMPER, BRAKE	1	
44	90387-107F8-00	COLLAR	1	
45	JN6-F5685-00-00	ROD	1	
46	93210-132A8-00	O-RING	2	
47	91701-10022-00	PIN	1	
48	91490-30020-00	PIN, COTTER	1	
49	JN6-F5681-00-00	EQUALIZER, BRAKE	1	
50	90249-14129-00	PIN	1	
51	90179-08261-00	NUT	1	
52	95317-08700-00	NUT, HEX	1	
53	JN6-F6341-00-00	WIRE, BRAKE 1	1	
54	JF2-F6351-10-00	WIRE, BRAKE	1	
55	99001-09600-00	CIRCLIP	4	
56	91701-08018-00	PIN	2	
57	91701-08026-00	PIN	2	
58	91490-25020-00	PIN, COTTER	4	
59	95817-06016-00	BOLT, FLANGE	2	
60	95617-08200-00	NUT, U-FLANGE (95607-08200-00)	1	

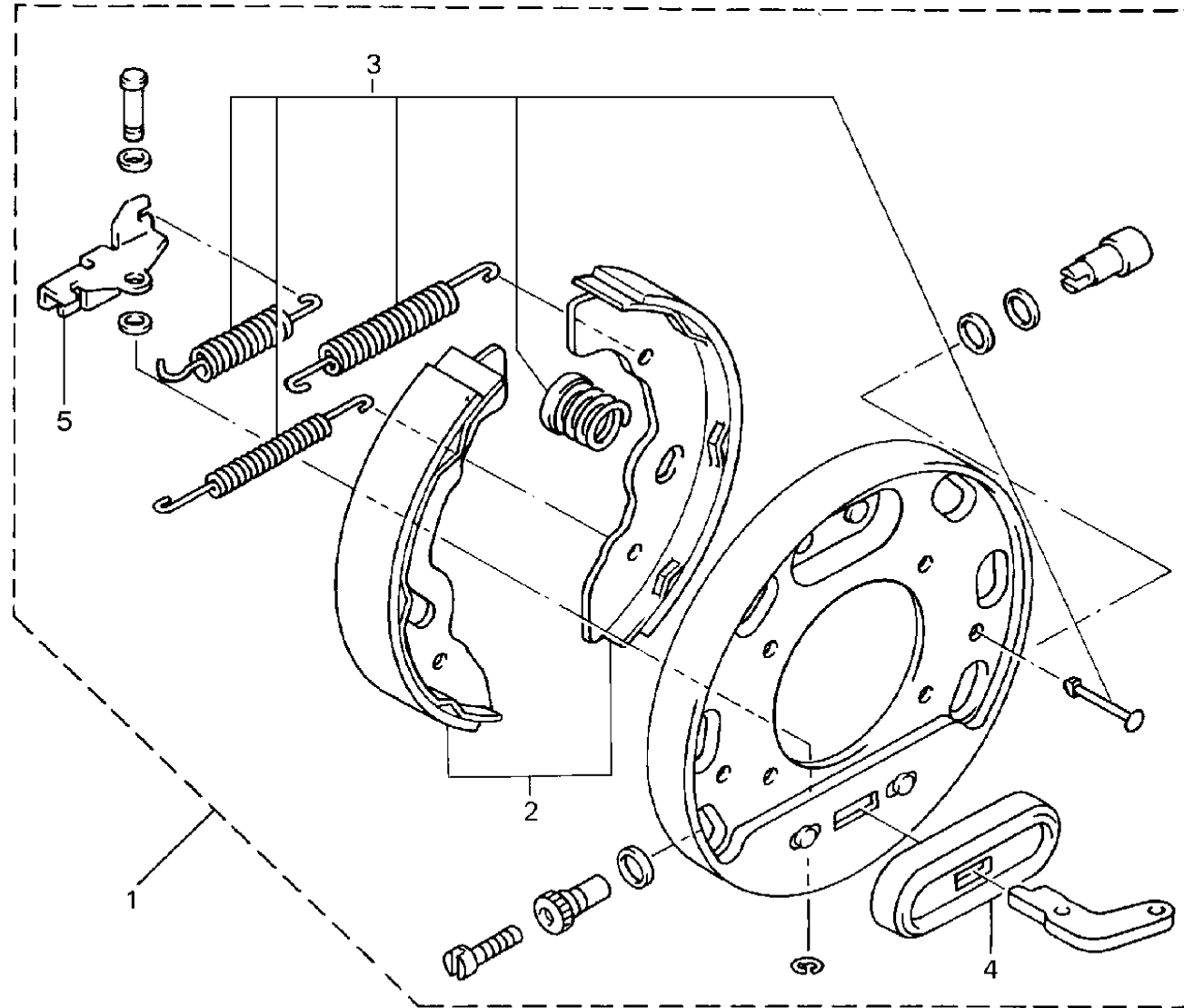
CONTINUED ON NEXT FRAME ►

## CONTENTS

ACCELERATOR	B10
AIR SHROUD FAN	A6
BODY 1	C8-9
BODY 2	C10-11
BODY FITTING	C12
BRAKE 1	B6-7
BRAKE 2	B8
BRAKE 3	B9
BUMPER	C7
CAMSHAFT VALVE	A5
CARBURETOR	A8
CARRIER	D1
CRANKCASE	A10
CRANKSHAFT PISTON	A4
CYLINDER HEAD	A3
ELECTRICAL 1	D6
ELECTRICAL 2	D7-8
ENGINE ASSEMBLY	A2
ENGINE MOUNT	A11
EXHAUST	A9
FRAME	B1
FRONT SUSPENSION WHEEL	B2-3
FUEL TANK	B5
GOVERNOR	B11
INTAKE	A7
OPTIONAL HUB CAPS	D9
OPTIONAL LIGHT KIT	E2
OPTIONAL LIGHT KIT	
STREAMLINE JU0	E3-4
OPTIONAL SUN ROOF JN3	D12
OPTIONAL SUN ROOF JN6	E1
OPTIONAL WINDSHIELD JN3	D10
OPTIONAL WINDSHIELD JN6	D11
PRIMARY CLUTCH	B12
REAR ARM SUSPENSION	A12
REAR AXLE MOUNT WHEEL	C5
SEAT	D2-3
SECONDARY SHEAVE	C1
SHIFTER CABLES	C6
STARTER GENERATOR	D4-5
STEERING	B4
TRANSAXLE	C2-4
-MODELS IN THIS CATALOG	E5

# BRAKE 2

Ref. No.	Part Number	Description	Qty	Remarks
1	JN6-F7280-00-00	BACKING PLATE, (RH) . . . . .	1	FOR RIGHT WHEEL ONLY
2	JN3-F5330-00-00	. SHOE, BRAKE SET . . . . .	1	FOR ONE WHEEL
3	JG5-F819G-00-00	. REPAIR PARTS KIT . . . . .	1	
4	JG5-F7286-00-00	. COVER, DUST . . . . .	1	
5	JN6-F722F-00-00	. LEVER, ADJUSTER (RH) . . . . .	1	



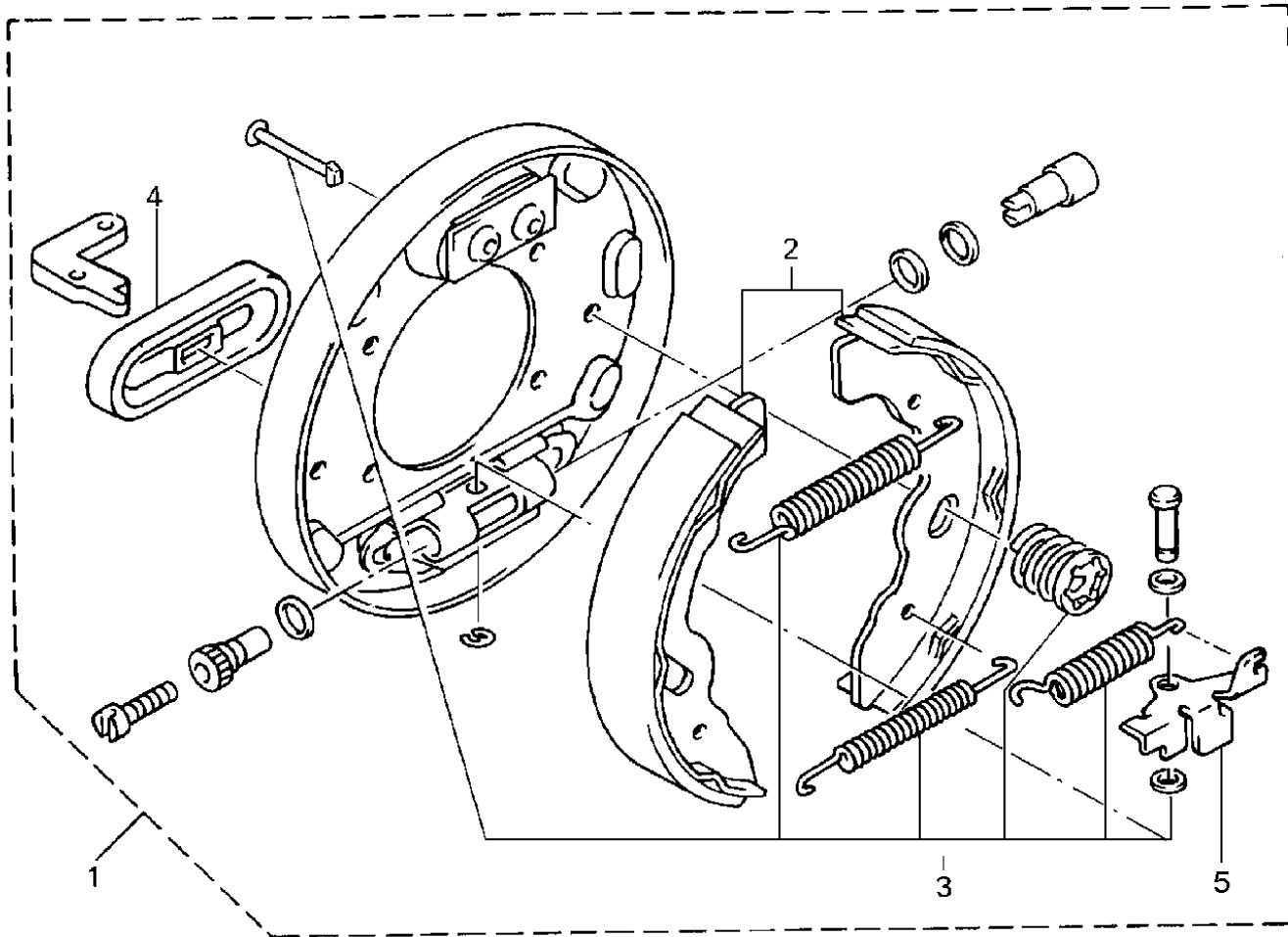
## CONTENTS

ACCELERATOR	B10
AIR SHROUD FAN	A6
BODY 1	C8-9
BODY 2	C10-11
BODY FITTING	C12
BRAKE 1	B6-7
BRAKE 2	B8
BRAKE 3	B9
BUMPER	C7
CAMSHAFT VALVE	A5
CARBURETOR	A8
CARRIER	D1
CRANKCASE	A10
CRANKSHAFT PISTON	A4
CYLINDER HEAD	A3
ELECTRICAL 1	D6
ELECTRICAL 2	D7-8
ENGINE ASSEMBLY	A2
ENGINE MOUNT	A11
EXHAUST	A9
FRAME	B1
FRONT SUSPENSION WHEEL	B2-3
FUEL TANK	B5
GOVERNOR	B11
INTAKE	A7
OPTIONAL HUB CAPS	D9
OPTIONAL LIGHT KIT	E2
OPTIONAL LIGHT KIT	E3-4
STREAMLINE JU0	D12
OPTIONAL SUN ROOF JN3	E1
OPTIONAL SUN ROOF JN6	D10
OPTIONAL WINDSHIELD JN3	D11
OPTIONAL WINDSHIELD JN6	D11
PRIMARY CLUTCH	B12
REAR ARM SUSPENSION	A12
REAR AXLE MOUNT WHEEL	C5
SEAT	D2-3
SECONDARY SHEAVE	C1
SHIFTER CABLES	C6
STARTER GENERATOR	D4-5
STEERING	B4
TRANSAXLE	C2-4
-MODELS IN THIS CATALOG	E5



JN4100-5061

# BRAKE 3



Ref. No.	Part Number	Description	Qty	Remarks
1	JN6-F7290-00-00	BACKING PLATE, LEFT . . . . .	1	FOR LEFT WHEEL ONLY
2	JN3-F5330-00-00	. SHOE, BRAKE SET . . . . .	1	FOR LEFT WHEEL
3	JG5-F819G-00-00	. REPAIR PARTS KIT . . . . .	1	
4	JG5-F7286-00-00	. COVER, DUST . . . . .	1	
5	JN6-F722E-00-00	. LEVER ADJUSTER (LH) . . . . .	1	

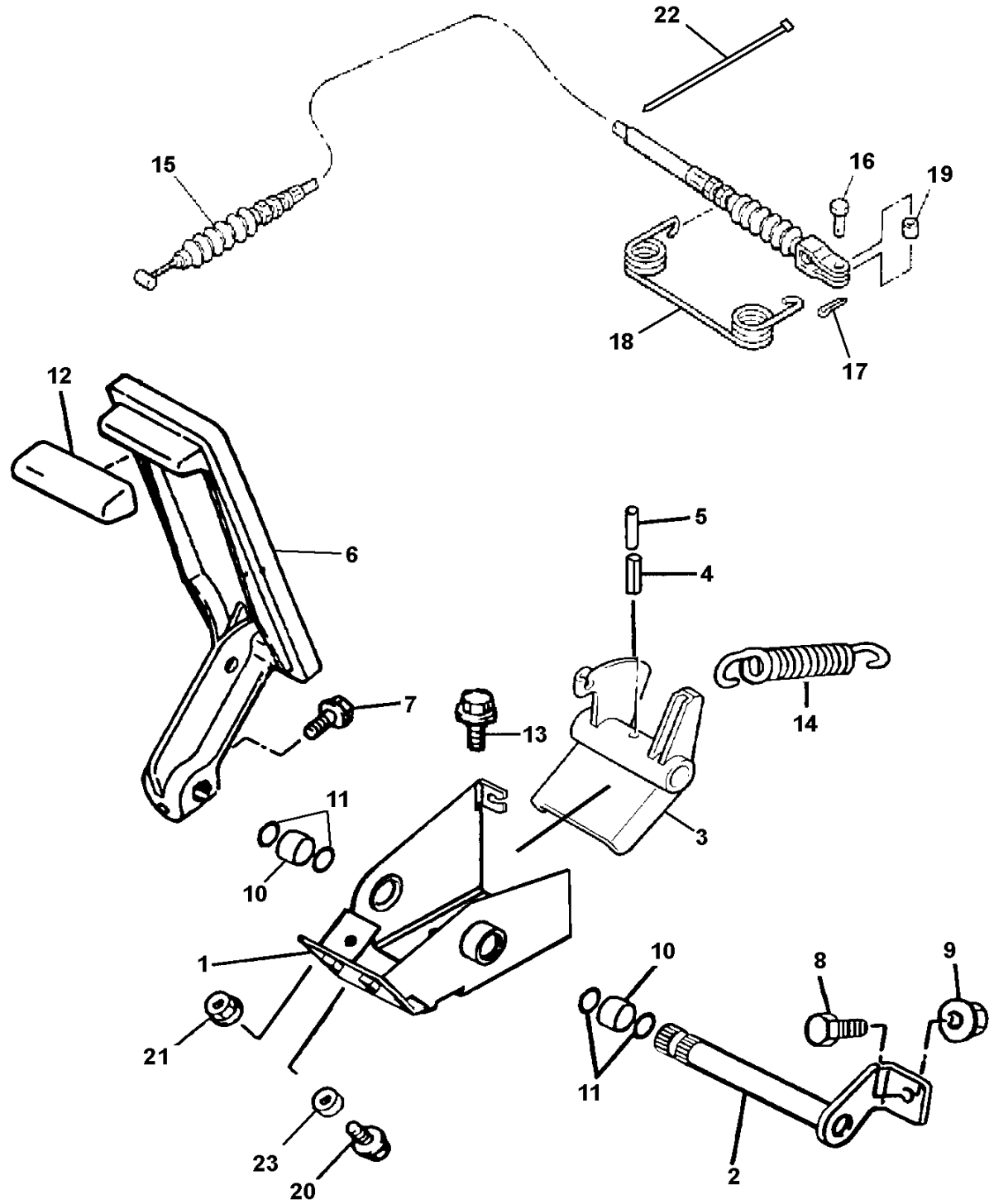
## CONTENTS

ACCELERATOR	B10
AIR SHROUD FAN	A6
BODY 1	C8-9
BODY 2	C10-11
BODY FITTING	C12
BRAKE 1	B6-7
BRAKE 2	B8
BRAKE 3	B9
BUMPER	C7
CAMSHAFT VALVE	A5
CARBURETOR	A8
CARRIER	D1
CRANKCASE	A10
CRANKSHAFT PISTON	A4
CYLINDER HEAD	A3
ELECTRICAL 1	D6
ELECTRICAL 2	D7-8
ENGINE ASSEMBLY	A2
ENGINE MOUNT	A11
EXHAUST	A9
FRAME	B1
FRONT SUSPENSION WHEEL	B2-3
FUEL TANK	B5
GOVERNOR	B11
INTAKE	A7
OPTIONAL HUB CAPS	D9
OPTIONAL LIGHT KIT	E2
OPTIONAL LIGHT KIT	E3-4
STREAMLINE JU0	D12
OPTIONAL SUN ROOF JN3	E1
OPTIONAL SUN ROOF JN6	D10
OPTIONAL WINDSHIELD JN3	D11
OPTIONAL WINDSHIELD JN6	B12
PRIMARY CLUTCH	A12
REAR ARM SUSPENSION	C5
REAR AXLE MOUNT WHEEL	D2-3
SEAT	C1
SECONDARY SHEAVE	C6
SHIFTER CABLES	D4-5
STARTER GENERATOR	B4
STEERING	C2-4
TRANSAXLE	E5
-MODELS IN THIS CATALOG	



JN4100-5071


# ACCELERATOR



Ref. No.	Part Number	Description	Qty	Remarks
1	JN6-F7874-01-00	BRACKET, PEDAL .....	1	
2	J17-27853-01-00	SHAFT, PEDAL .....	1	
3	J38-27872-00-00	ARM, ACCELERATOR .....	1	
4	91609-60028-00	PIN, SPRING .....	1	
5	91609-35028-00	PIN, SPRING .....	1	
6	JF3-27871-00-00	PEDAL, ACCELERATOR .....	1	
7	95817-06025-00	BOLT, FLANGE .....	1	
8	90106-08040-00	BOLT, RD. HEX .....	1	
9	95707-08500-00	NUT, FLANGE .....	1	
10	90384-14080-00	BUSH, BIMETAL .....	2	
11	93210-14104-00	O-RING .....	4	
12	JN3-F7854-00-00	COVER, PEDAL .....	1	
13	95817-08016-00	BOLT, FLANGE .....	3	
14	90506-26282-00	SPRING, TENSION .....	1	
15	JN3-F6311-00-00	CABLE, THROTTLE .....	1	
16	91790-05012-00	PIN .....	1	
17	90468-10050-00	CLIP .....	1	
18	90508-16460-00	SPRING, TORSION .....	1	
19	90560-05001-00	SPACER .....	1	
20	95817-06025-00	BOLT, FLANGE .....	1	
21	95707-06500-00	NUT, FLANGE .....	1	
22	90601-200U1-00	BAND .....	1	
23	90387-068T40-00	COLLAR .....	1	

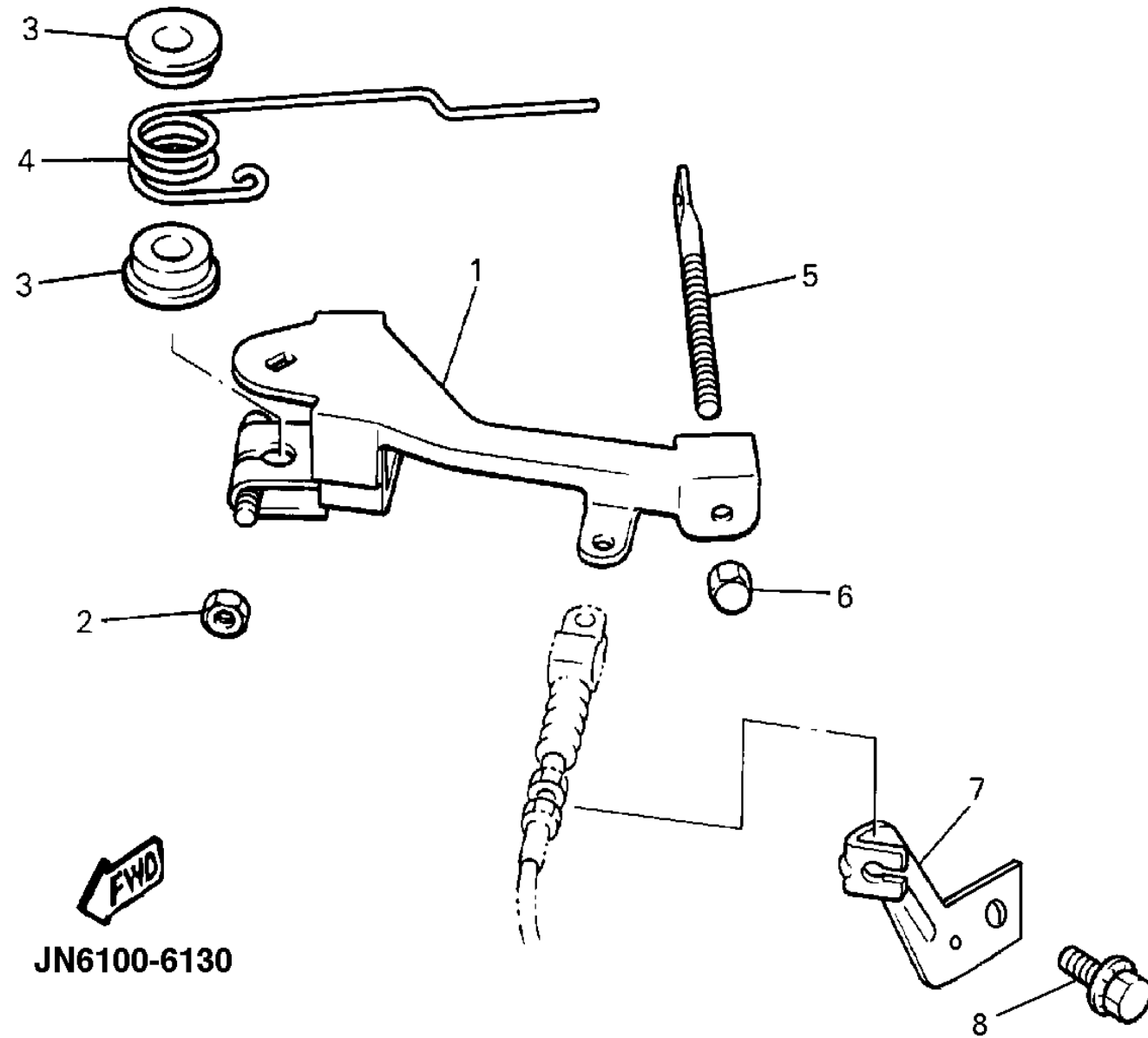
## CONTENTS

ACCELERATOR	B10
AIR SHROUD FAN	A6
BODY 1	C8-9
BODY 2	C10-11
BODY FITTING	C12
BRAKE 1	B6-7
BRAKE 2	B8
BRAKE 3	B9
BUMPER	C7
CAMSHAFT VALVE	A5
CARBURETOR	A8
CARRIER	D1
CRANKCASE	A10
CRANKSHAFT PISTON	A4
CYLINDER HEAD	A3
ELECTRICAL 1	D6
ELECTRICAL 2	D7-8
ENGINE ASSEMBLY	A2
ENGINE MOUNT	A11
EXHAUST	A9
FRAME	B1
FRONT SUSPENSION WHEEL	B2-3
FUEL TANK	B5
GOVERNOR	B11
INTAKE	A7
OPTIONAL HUB CAPS	D9
OPTIONAL LIGHT KIT	E2
OPTIONAL LIGHT KIT	
STREAMLINE JU0	E3-4
OPTIONAL SUN ROOF JN3	D12
OPTIONAL SUN ROOF JN6	E1
OPTIONAL WINDSHIELD JN3	D10
OPTIONAL WINDSHIELD JN6	D11
PRIMARY CLUTCH	B12
REAR ARM SUSPENSION	A12
REAR AXLE MOUNT WHEEL	C5
SEAT	D2-3
SECONDARY SHEAVE	C1
SHIFTER CABLES	C6
STARTER GENERATOR	D4-5
STEERING	B4
TRANSAXLE	C2-4
-MODELS IN THIS CATALOG	E5

 JN6200-7020

# GOVERNOR

Ref. No.	Part Number	Description	Qty	Remarks
1	J38-27951-00-00	LEVER, SPEED .....	1	
2	95317-06600-00	NUT (95307-06600-00) .....	1	
3	90386-08141-00	BUSH .....	2	
4	90508-40678-00	SPRING, TORSION .....	1	
5	J38-27959-00-00	SCREW, ADJUSTING .....	1	
6	95607-06200-00	NUT, SELF U-FLANGE .....	1	
7	JN3-G6555-00-00	BRACKET 2 .....	1	
8	90105-08859-00	BOLT, FLANGE .....	1	



JN6100-6130

## CONTENTS

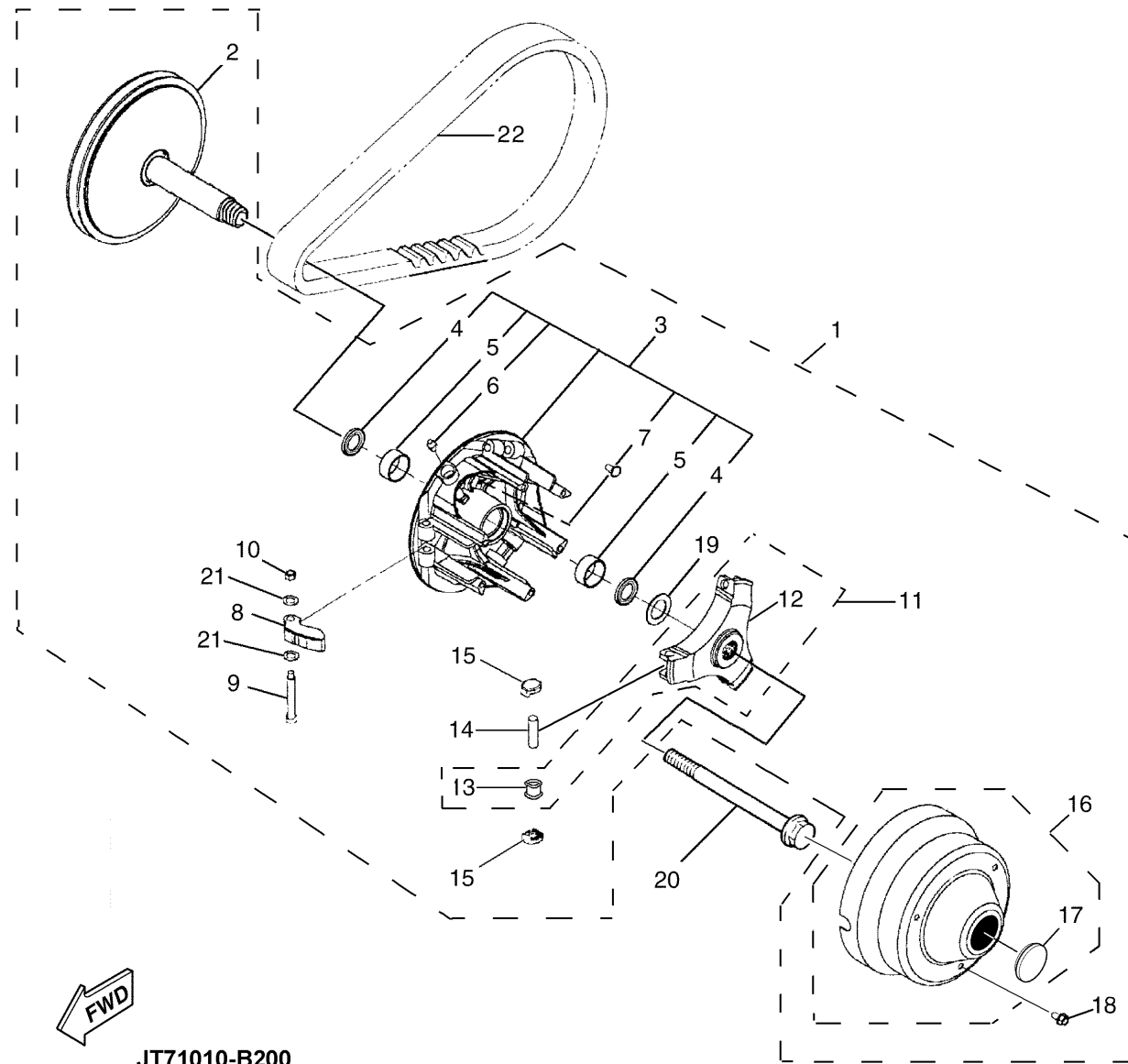
ACCELERATOR	B10
AIR SHROUD FAN	A6
BODY 1	C8-9
BODY 2	C10-11
BODY FITTING	C12
BRAKE 1	B6-7
BRAKE 2	B8
BRAKE 3	B9
BUMPER	C7
CAMSHAFT VALVE	A5
CARBURETOR	A8
CARRIER	D1
CRANKCASE	A10
CRANKSHAFT PISTON	A4
CYLINDER HEAD	A3
ELECTRICAL 1	D6
ELECTRICAL 2	D7-8
ENGINE ASSEMBLY	A2
ENGINE MOUNT	A11
EXHAUST	A9
FRAME	B1
FRONT SUSPENSION WHEEL	B2-3
FUEL TANK	B5
GOVERNOR	B11
INTAKE	A7
OPTIONAL HUB CAPS	D9
OPTIONAL LIGHT KIT	E2
OPTIONAL LIGHT KIT	
STREAMLINE JU0	E3-4
OPTIONAL SUN ROOF JN3	D12
OPTIONAL SUN ROOF JN6	E1
OPTIONAL WINDSHIELD JN3	D10
OPTIONAL WINDSHIELD JN6	D11
PRIMARY CLUTCH	B12
REAR ARM SUSPENSION	A12
REAR AXLE MOUNT WHEEL	C5
SEAT	D2-3
SECONDARY SHEAVE	C1
SHIFTER CABLES	C6
STARTER GENERATOR	D4-5
STEERING	B4
TRANSAXLE	C2-4
-MODELS IN THIS CATALOG	E5

# PRIMARY CLUTCH

Ref. No.	Part Number	Description	Qty	Remarks
1	JN6-G6201-00-00	PRIMARY CLUTCH ASSEMBLY	1	
2	JN6-G6210-00-00	. PRIMARY FIXED SHEAVE . . .	1	
3	JN6-G6220-00-00	. PRIMARY SLIDING SHEAVE .	1	
4	93101-28831-00	. OIL SEAL . . . . .	2	
5	90384-27823-00	. BUSH, BIMETAL . . . . .	2	
6	93700-06810-00	. NIPPLE, GREASE . . . . .	1	
7	90338-04840-00	. PLUG . . . . .	3	
8	JN6-G6232-00-00	. WEIGHT, 1 . . . . .	3	
9	90109-06860-00	. BOLT . . . . .	3	
10	90185-06834-00	. NUT, SELF-LOCKING . . . . .	3	
11	JU0-G6430-00-00	. SPIDER/ROLLER . . . . .	1	
12	JN6-G6251-01-00	. . SPIDER . . . . .	1	USE AS A SET, SEE TECHNICAL BULLETIN G03-005
13	JN6-G6258-02-00	. . ROLLER . . . . .	3	USE AS A SET, SEE TECHNICAL BULLETIN G03-005
14	93610-358A3-00	. PIN, DOWEL . . . . .	3	
15	JN6-G6253-00-00	. SLIDER . . . . .	6	
16	JU0-G6231-00-KT	. CAP . . . . .	1	
17	JU0-G6297-00-00	. . COVER, DUST . . . . .	1	
18	90105-06861-00	BOLT, FLANGE . . . . .	3	
19	90201-228K5-00	WASHER, PLAIN . . . . .	1	
20	JN6-G6249-00-00	BOLT . . . . .	1	
21	JN6-G621F-00-00	SHIM, THRUST . . . . .	6	
22	J55-G6241-00-00	V-BELT . . . . .	1	

## CONTENTS

ACCELERATOR	B10
AIR SHROUD FAN	A6
BODY 1	C8-9
BODY 2	C10-11
BODY FITTING	C12
BRAKE 1	B6-7
BRAKE 2	B8
BRAKE 3	B9
BUMPER	C7
CAMSHAFT VALVE	A5
CARBURETOR	A8
CARRIER	D1
CRANKCASE	A10
CRANKSHAFT PISTON	A4
CYLINDER HEAD	A3
ELECTRICAL 1	D6
ELECTRICAL 2	D7-8
ENGINE ASSEMBLY	A2
ENGINE MOUNT	A11
EXHAUST	A9
FRAME	B1
FRONT SUSPENSION WHEEL	B2-3
FUEL TANK	B5
GOVERNOR	B11
INTAKE	A7
OPTIONAL HUB CAPS	D9
OPTIONAL LIGHT KIT	E2
OPTIONAL LIGHT KIT	
STREAMLINE JU0	E3-4
OPTIONAL SUN ROOF JN3	D12
OPTIONAL SUN ROOF JN6	E1
OPTIONAL WINDSHIELD JN3	D10
OPTIONAL WINDSHIELD JN6	D11
PRIMARY CLUTCH	B12
REAR ARM SUSPENSION	A12
REAR AXLE MOUNT WHEEL	C5
SEAT	D2-3
SECONDARY SHEAVE	C1
SHIFTER CABLES	C6
STARTER GENERATOR	D4-5
STEERING	B4
TRANSAXLE	C2-4
-MODELS IN THIS CATALOG	E5

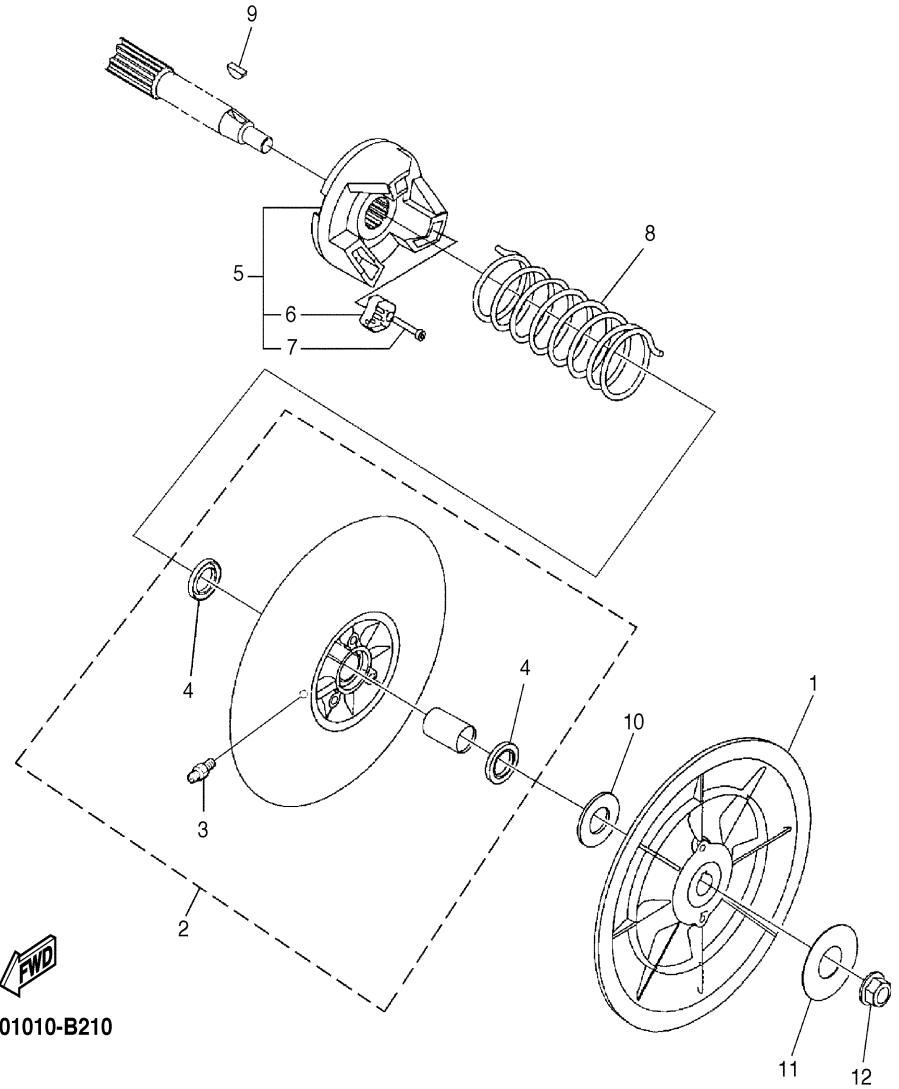


JT71010-B200



# SECONDARY SHEAVE

Ref. No.	Part Number	Description	Qty	Remarks
1	JN6-G6260-00-00	SECONDARY FIXED SHEAVE .	1	
2	JN6-G6270-01-KT	SECONDARY SLIDING SHEAVE	1	SEE NOTE A
3	93700-06809-00	. NIPPLE, GREASE . . . . .	1	
4	93109-20069-00	. OIL SEAL . . . . .	2	
5	JN6-G6280-00-00	SECONDARY SPRING SEAT COMP. . . . .	1	SEE NOTE B
6	JN6-E7688-00-00	. SHOE, RAMP . . . . .	3	
7	90110-04834-00	. BOLT, HEXAGON SOCKET . .	3	
8	90508-45844-00	SPRING, TORSION . . . . .	1	L=100.5MM +/- 1.5
9	90280-05022-00	KEY, WOODRUFF . . . . .	1	
10	90202-20130-00	WASHER . . . . .	1	
11	90201-12588-00	WASHER, PLATE . . . . .	1	
12	95607-12200-00	NUT, U-FLANGE . . . . .	1	



JU01010-B210

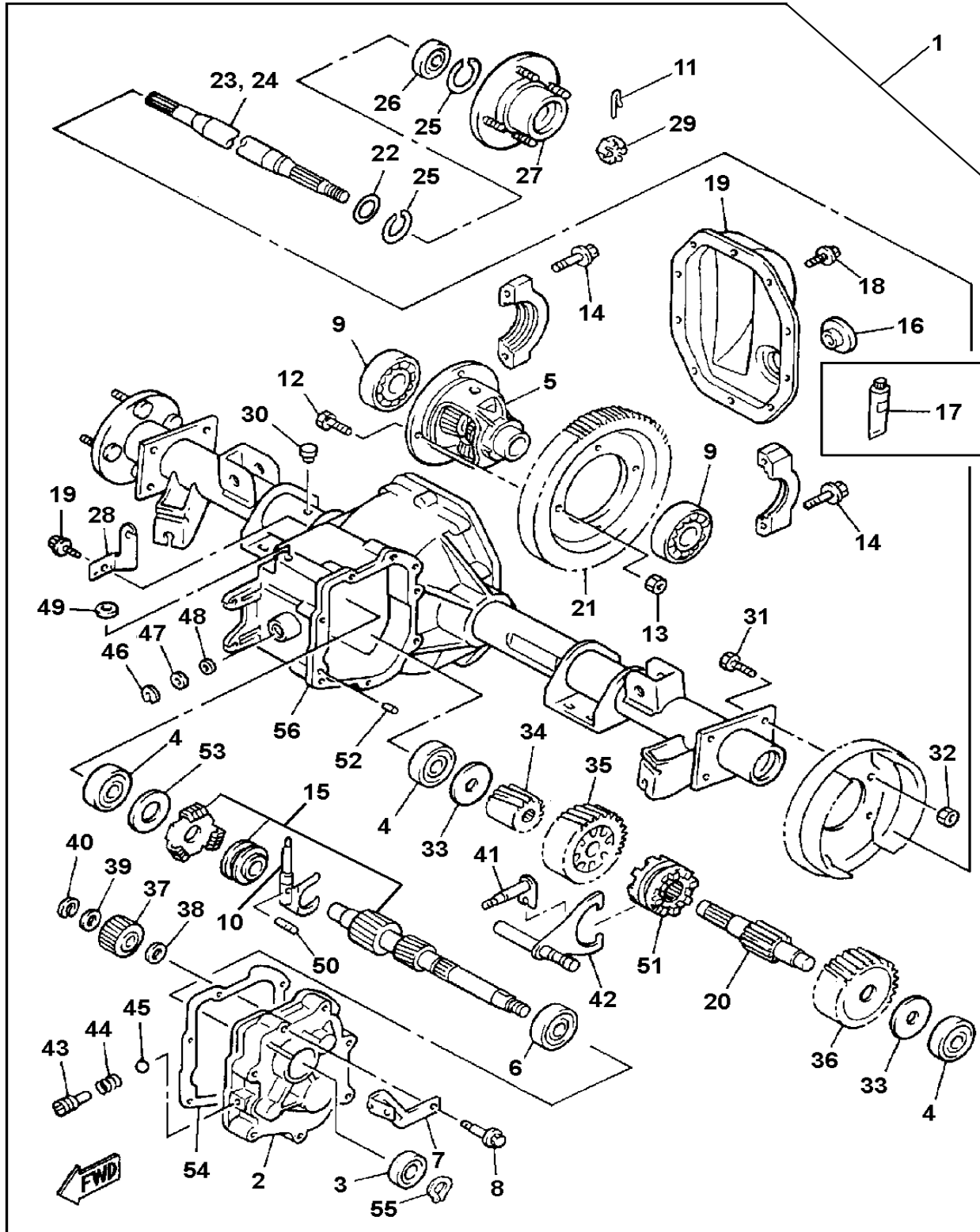
**NOTE A:**  
Secondary Sheave Kit includes: Secondary Sliding Sheave, Bushing, Oil Seals and Grease Nipple.

**NOTE B:**  
Secondary Spring Seat Comp: includes Secondary Spring Seat, Shoe Ramp and bolts.

## CONTENTS

ACCELERATOR	B10
AIR SHROUD FAN	A6
BODY 1	C8-9
BODY 2	C10-11
BODY FITTING	C12
BRAKE 1	B6-7
BRAKE 2	B8
BRAKE 3	B9
BUMPER	C7
CAMSHAFT VALVE	A5
CARBURETOR	A8
CARRIER	D1
CRANKCASE	A10
CRANKSHAFT PISTON	A4
CYLINDER HEAD	A3
ELECTRICAL 1	D6
ELECTRICAL 2	D7-8
ENGINE ASSEMBLY	A2
ENGINE MOUNT	A11
EXHAUST	A9
FRAME	B1
FRONT SUSPENSION WHEEL	B2-3
FUEL TANK	B5
GOVERNOR	B11
INTAKE	A7
OPTIONAL HUB CAPS	D9
OPTIONAL LIGHT KIT	E2
OPTIONAL LIGHT KIT STREAMLINE JU0	E3-4
OPTIONAL SUN ROOF JN3	D12
OPTIONAL SUN ROOF JN6	E1
OPTIONAL WINDSHIELD JN3	D10
OPTIONAL WINDSHIELD JN6	D11
PRIMARY CLUTCH	B12
REAR ARM SUSPENSION	A12
REAR AXLE MOUNT WHEEL	C5
SEAT	D2-3
SECONDARY SHEAVE	C1
SHIFTER CABLES	C6
STARTER GENERATOR	D4-5
STEERING	B4
TRANSAXLE	C2-4
~MODELS IN THIS CATALOG	E5

# TRANSAXLE



JR2010-6222

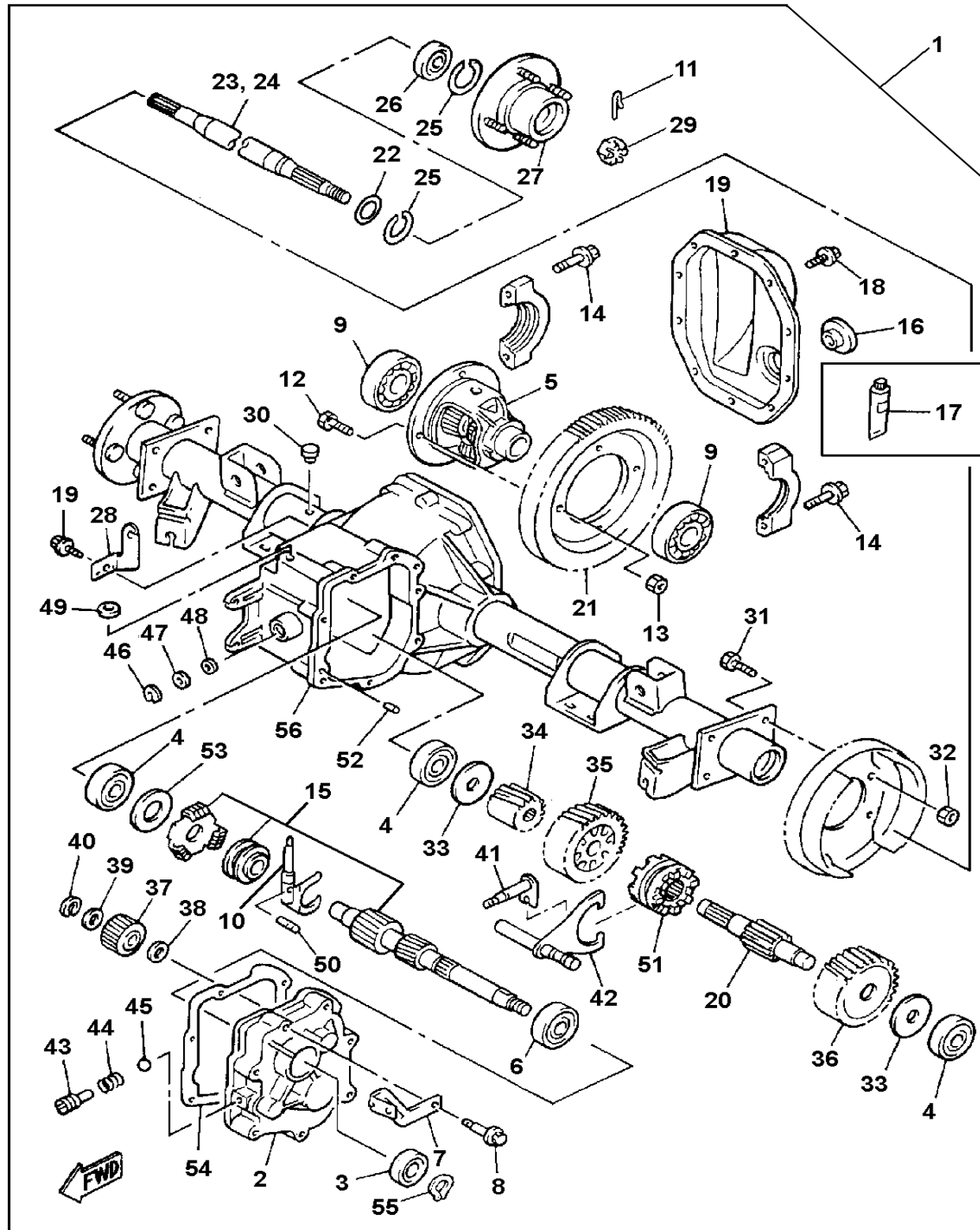
Ref. No.	Part Number	Description	Qty	Remarks
1	JN6-G6300-01-00	TRANSAXLE ASSEMBLY	1	
2	JN3-G6313-00-00	. COVER, TRANSMISSION	1	
3	93102-25868-00	. OIL SEAL	1	
4	93306-303Y6-00	. BEARING	3	
5	JN6-G6410-00-00	. DIFFERENTIAL ASSEMBLY	1	
6	93306-005Y4-00	. BEARING	1	
7	JN6-G6555-00-00	. BRACKET 2	1	
8	90105-08859-00	. BOLT, FLANGE	7	
9	93306-007Y0-00	. BEARING	2	
10	JN3-G633E-00-00	. BAR, 1	1	
11	91490-25030-00	. PIN, COTTER	2	
12	90101-10854-00	. BOLT, HEX	4	
13	90170-10840-00	. NUT, HEX	4	
14	90105-10840-00	. BOLT, FLANGE	4	
15	JN3-G6320-00-00	. SHAFT, INPUT ASSY	1	
16	JN3-G6432-00-00	. STOPPER	1	
17	ACC-QUICK-GS-KT	SEALANT	1	
18	90101-08856-00	. BOLT, HEX	11	
19	JN3-G6314-00-00	. COVER, TRANSMISSION	1	
20	JN3-G633G-00-00	. SHAFT	1	
21	JN3-G6355-00-00	. GEAR, PRIMARY	1	
22	93101-24822-00	. OIL SEAL	2	
23	JN3-G6511-00-00	. SHAFT, REAR AXLE .LEFT.	1	
24	JN3-G6512-00-00	. SHAFT, REAR AXLE .RIGHT	1	
25	93420-44805-00	. CIRCLIP	4	
26	93306-004X5-00	. BEARING	2	
27	JN3-G6514-00-00	. HUB, REAR AXLE	2	
28	JN3-G6556-00-00	. BRACKET 3	1	
29	90185-16833-00	. NUT, SELF-LOCKING	2	
30	JH7-G5619-00-00	. CAP	1	

## CONTENTS

ACCELERATOR	B10
AIR SHROUD FAN	A6
BODY 1	C8-9
BODY 2	C10-11
BODY FITTING	C12
BRAKE 1	B6-7
BRAKE 2	B8
BRAKE 3	B9
BUMPER	C7
CAMSHAFT VALVE	A5
CARBURETOR	A8
CARRIER	D1
CRANKCASE	A10
CRANKSHAFT PISTON	A4
CYLINDER HEAD	A3
ELECTRICAL 1	D6
ELECTRICAL 2	D7-8
ENGINE ASSEMBLY	A2
ENGINE MOUNT	A11
EXHAUST	A9
FRAME	B1
FRONT SUSPENSION WHEEL	B2-3
FUEL TANK	B5
GOVERNOR	B11
INTAKE	A7
OPTIONAL HUB CAPS	D9
OPTIONAL LIGHT KIT	E2
OPTIONAL LIGHT KIT	
STREAMLINE JU0	E3-4
OPTIONAL SUN ROOF JN3	D12
OPTIONAL SUN ROOF JN6	E1
OPTIONAL WINDSHIELD JN3	D10
OPTIONAL WINDSHIELD JN6	D11
PRIMARY CLUTCH	B12
REAR ARM SUSPENSION	A12
REAR AXLE MOUNT WHEEL	C5
SEAT	D2-3
SECONDARY SHEAVE	C1
SHIFTER CABLES	C6
STARTER GENERATOR	D4-5
STEERING	B4
TRANSAXLE	C2-4
-MODELS IN THIS CATALOG	E5

CONTINUED ON NEXT FRAME ►

# TRANSAXLE



JR2010-6222

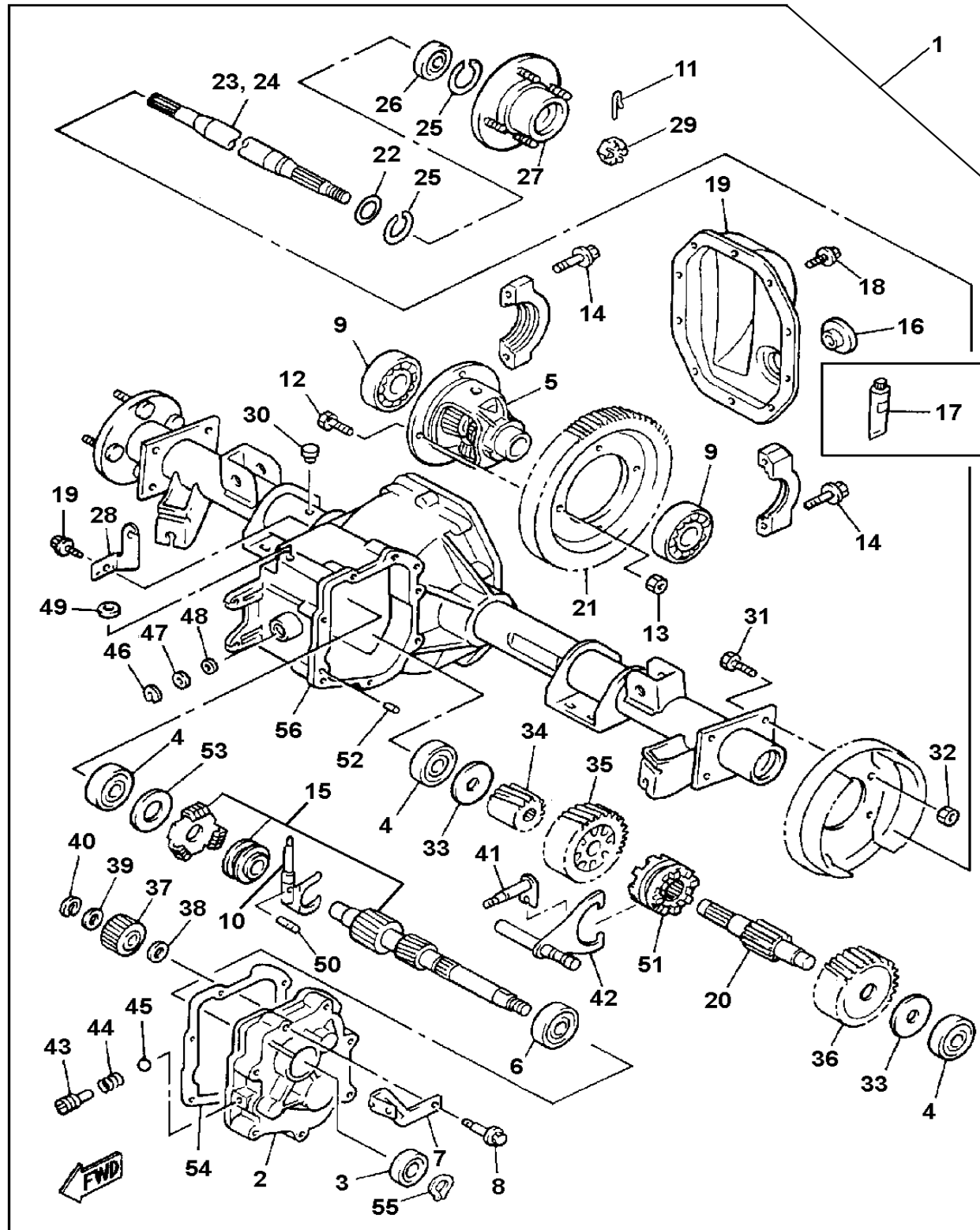
Ref. No.	Part Number	Description	Qty	Remarks
31	90101-08855-00	. BOLT, HEX	8	
32	90170-08841-00	. NUT, HEX	8	
33	90201-178H8-00	. WASHER, PLAIN	2	
34	JN3-G6316-00-00	. GEAR, PINION	1	
35	JN3-G6326-00-00	. GEAR, WHEEL 1	1	
36	JN3-G6327-00-00	. GEAR, WHEEL 2	1	
37	JN3-G6356-00-00	. GEAR, IDLER	1	
38	90201-208H9-00	. WASHER, PLATE	1	
39	90201-208J0-00	. WASHER, PLATE	1	
40	93440-20813-00	. CIRCLIP	1	
41	JN3-G638A-00-00	. BAR, SHIFT 1	1	
42	JN6-G638E-00-00	. BAR, SHIFT 2	1	
43	90113-08803-00	. BOLT, SET	1	
44	90501-10852-00	. SPRING, COMPRESSION	1	
45	93500-06826-00	. BALL	1	
46	93410-12822-00	. CIRCLIP	1	
47	90202-12807-00	. WASHER, PLAIN	1	
48	93104-11829-00	. OIL SEAL	1	
49	93104-09828-00	. OIL SEAL	1	
50	JN3-G6249-00-00	. BOLT	1	
51	JN3-G6153-00-00	. COLLAR, GUIDE	1	
52	93606-10842-00	. PIN, DOWEL	2	
53	JN3-G6344-00-00	. SHIM, 0.76MM (0.030IN)	1	0.76MM (0.030IN)
	JN3-G6344-10-00	. SHIM, 0.90MM (0.035IN)	1	0.90MM (0.035IN)
	JN3-G6344-20-00	. SHIM, 1.00MM (0.040IN)	1	1.0MM (0.040IN)
	JN3-G6344-30-00	. SHIM, 1.14MM (0.045IN)	1	1.14MM (0.045IN)
	JN3-G6344-40-00	. SHIM, 1.27MM (0.050IN)	1	1.27MM (0.050IN)
	JN3-G6344-50-00	. SHIM, 1.39MM (0.055IN)	1	1.39MM (0.055IN)
	JN3-G6344-60-00	. SHIM, 1.52MM (0.060IN)	1	1.52MM (0.060IN)
	JN3-G6344-70-00	. SHIM, 1.65MM (0.065IN)	1	1.65MM (0.065IN)

CONTINUED ON NEXT FRAME ►

## CONTENTS

ACCELERATOR	B10
AIR SHROUD FAN	A6
BODY 1	C8-9
BODY 2	C10-11
BODY FITTING	C12
BRAKE 1	B6-7
BRAKE 2	B8
BRAKE 3	B9
BUMPER	C7
CAMSHAFT VALVE	A5
CARBURETOR	A8
CARRIER	D1
CRANKCASE	A10
CRANKSHAFT PISTON	A4
CYLINDER HEAD	A3
ELECTRICAL 1	D6
ELECTRICAL 2	D7-8
ENGINE ASSEMBLY	A2
ENGINE MOUNT	A11
EXHAUST	A9
FRAME	B1
FRONT SUSPENSION WHEEL	B2-3
FUEL TANK	B5
GOVERNOR	B11
INTAKE	A7
OPTIONAL HUB CAPS	D9
OPTIONAL LIGHT KIT	E2
OPTIONAL LIGHT KIT	
STREAMLINE JU0	E3-4
OPTIONAL SUN ROOF JN3	D12
OPTIONAL SUN ROOF JN6	E1
OPTIONAL WINDSHIELD JN3	D10
OPTIONAL WINDSHIELD JN6	D11
PRIMARY CLUTCH	B12
REAR ARM SUSPENSION	A12
REAR AXLE MOUNT WHEEL	C5
SEAT	D2-3
SECONDARY SHEAVE	C1
SHIFTER CABLES	C6
STARTER GENERATOR	D4-5
STEERING	B4
TRANSAXLE	C2-4
-MODELS IN THIS CATALOG	E5

# TRANSAXLE



JR2010-6222

Ref. No.	Part Number	Description	Qty	Remarks
53	JN3-G6344-80-00	. SHIM, 0.38MM (0.015IN) .....	1	0.38MM (0.015IN)
54	JN3-G6319-00-00	. GASKET .....	1	
55	93410-25017-00	. CIRCLIP (S) .....	1	
56	JN3-G6290-00-00	. CASE ASSY .....	1	

## CONTENTS

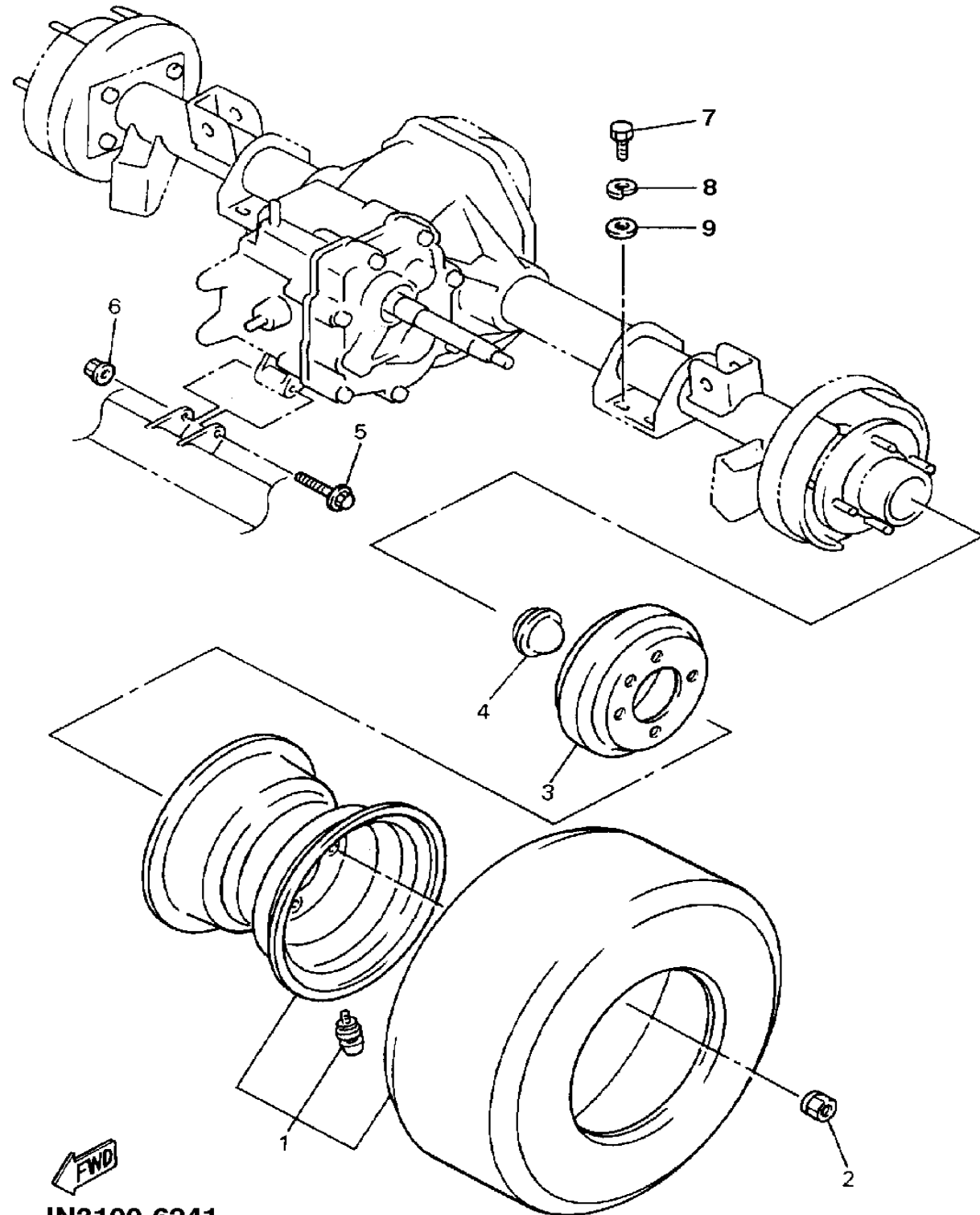
ACCELERATOR	B10
AIR SHROUD FAN	A6
BODY 1	C8-9
BODY 2	C10-11
BODY FITTING	C12
BRAKE 1	B6-7
BRAKE 2	B8
BRAKE 3	B9
BUMPER	C7
CAMSHAFT VALVE	A5
CARBURETOR	A8
CARRIER	D1
CRANKCASE	A10
CRANKSHAFT PISTON	A4
CYLINDER HEAD	A3
ELECTRICAL 1	D6
ELECTRICAL 2	D7-8
ENGINE ASSEMBLY	A2
ENGINE MOUNT	A11
EXHAUST	A9
FRAME	B1
FRONT SUSPENSION WHEEL	B2-3
FUEL TANK	B5
GOVERNOR	B11
INTAKE	A7
OPTIONAL HUB CAPS	D9
OPTIONAL LIGHT KIT	E2
OPTIONAL LIGHT KIT	
STREAMLINE JU0	E3-4
OPTIONAL SUN ROOF JN3	D12
OPTIONAL SUN ROOF JN6	E1
OPTIONAL WINDSHIELD JN3	D10
OPTIONAL WINDSHIELD JN6	D11
PRIMARY CLUTCH	B12
REAR ARM SUSPENSION	A12
REAR AXLE MOUNT WHEEL	C5
SEAT	D2-3
SECONDARY SHEAVE	C1
SHIFTER CABLES	C6
STARTER GENERATOR	D4-5
STEERING	B4
TRANSAXLE	C2-4
-MODELS IN THIS CATALOG	E5

# REAR AXLE MOUNT WHEEL

Ref. No.	Part Number	Description	Qty	Remarks
1	JN6-F5100-11-00	FRONT WHEEL ASSEMBLY (JG5-F5100-00-00)	2	
2	90179-12262-00	NUT	8	
3	J55-G6521-00-00	DRUM	2	
4	JN6-F5118-00-00	COVER, HUB DUST	2	
5	95817-08075-00	BOLT, FLANGE	1	
6	95707-08500-00	NUT, FLANGE	1	
7	97017-10020-00	BOLT, HEX HEAD	8	
8	92907-10100-00	WASHER, LOCK	8	
9	90201-102G9-00	WASHER	8	

## CONTENTS

ACCELERATOR	B10
AIR SHROUD FAN	A6
BODY 1	C8-9
BODY 2	C10-11
BODY FITTING	C12
BRAKE 1	B6-7
BRAKE 2	B8
BRAKE 3	B9
BUMPER	C7
CAMSHAFT VALVE	A5
CARBURETOR	A8
CARRIER	D1
CRANKCASE	A10
CRANKSHAFT PISTON	A4
CYLINDER HEAD	A3
ELECTRICAL 1	D6
ELECTRICAL 2	D7-8
ENGINE ASSEMBLY	A2
ENGINE MOUNT	A11
EXHAUST	A9
FRAME	B1
FRONT SUSPENSION WHEEL	B2-3
FUEL TANK	B5
GOVERNOR	B11
INTAKE	A7
OPTIONAL HUB CAPS	D9
OPTIONAL LIGHT KIT	E2
OPTIONAL LIGHT KIT	E2
STREAMLINE JU0	E3-4
OPTIONAL SUN ROOF JN3	D12
OPTIONAL SUN ROOF JN6	E1
OPTIONAL WINDSHIELD JN3	D10
OPTIONAL WINDSHIELD JN6	D11
PRIMARY CLUTCH	B12
REAR ARM SUSPENSION	A12
REAR AXLE MOUNT WHEEL	C5
SEAT	D2-3
SECONDARY SHEAVE	C1
SHIFTER CABLES	C6
STARTER GENERATOR	D4-5
STEERING	B4
TRANSAXLE	C2-4
-MODELS IN THIS CATALOG	E5

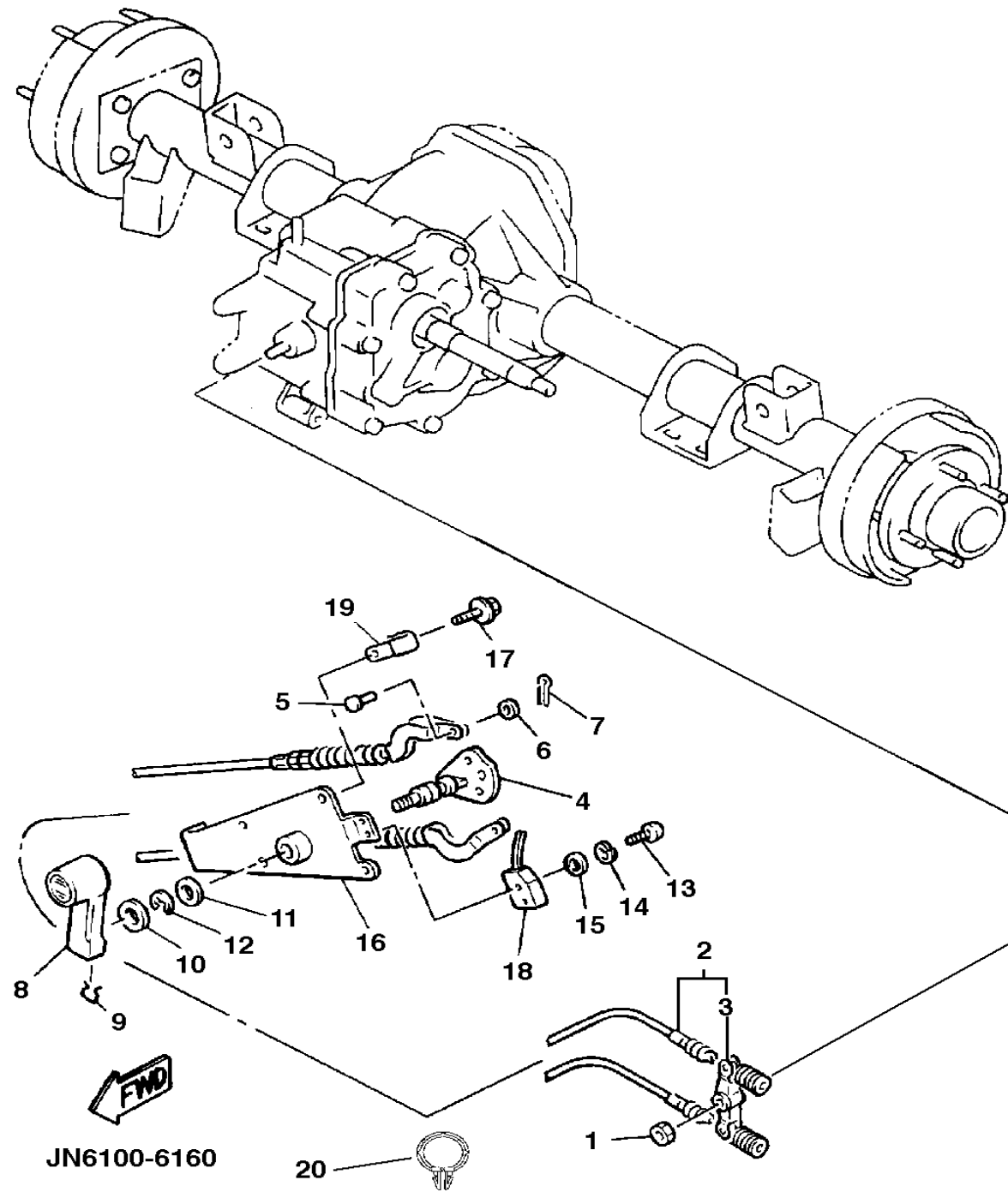


# SHIFTER CABLES

Ref. No.	Part Number	Description	Qty	Remarks
1	95617-08100-00	NUT, U .....	1	ASSY WITH BOTH CABLE & LEVER, SHIFT
2	JN3-G8330-00-00	CABLE, SHIFT .....	1	
3	J55-G6383-00-00	. LEVER, SHIFT .....	1	
4	JF2-46382-00-00	LEVER, SHIFT 1 .....	1	
5	91702-06014-00	PIN .....	2	
6	92907-06600-00	WASHER, PLAIN .....	2	
7	91490-20025-00	PIN, COTTER .....	2	
8	JN3-G6381-00-00	KNOB, SHIFT .....	1	
9	JN3-G6376-00-00	SPRING SET .....	1	
10	90201-201L9-00	WASHER, PLAIN .....	1	
11	90201-19551-00	WASHER, PLAIN .....	1	
12	99009-19400-00	CIRCLIP (S) .....	1	
13	98507-04016-00	SCREW, PAN HEAD .....	2	
14	92907-04100-00	WASHER, LOCK .....	2	
15	92907-04600-00	WASHER .....	2	
16	JN3-G6372-00-00	BRACKET, SHIFT .....	1	
17	95817-06016-00	BOLT, FLANGE .....	4	
18	JN3-82617-00-00	SWITCH .....	1	
19	90465-06038-00	CLAMP .....	1	
20	90464-19815-00	CLAMP .....	1	

## CONTENTS

ACCELERATOR	B10
AIR SHROUD FAN	A6
BODY 1	C8-9
BODY 2	C10-11
BODY FITTING	C12
BRAKE 1	B6-7
BRAKE 2	B8
BRAKE 3	B9
BUMPER	C7
CAMSHAFT VALVE	A5
CARBURETOR	A8
CARRIER	D1
CRANKCASE	A10
CRANKSHAFT PISTON	A4
CYLINDER HEAD	A3
ELECTRICAL 1	D6
ELECTRICAL 2	D7-8
ENGINE ASSEMBLY	A2
ENGINE MOUNT	A11
EXHAUST	A9
FRAME	B1
FRONT SUSPENSION WHEEL	B2-3
FUEL TANK	B5
GOVERNOR	B11
INTAKE	A7
OPTIONAL HUB CAPS	D9
OPTIONAL LIGHT KIT	E2
OPTIONAL LIGHT KIT	
STREAMLINE JU0	E3-4
OPTIONAL SUN ROOF JN3	D12
OPTIONAL SUN ROOF JN6	E1
OPTIONAL WINDSHIELD JN3	D10
OPTIONAL WINDSHIELD JN6	D11
PRIMARY CLUTCH	B12
REAR ARM SUSPENSION	A12
REAR AXLE MOUNT WHEEL	C5
SEAT	D2-3
SECONDARY SHEAVE	C1
SHIFTER CABLES	C6
STARTER GENERATOR	D4-5
STEERING	B4
TRANSAXLE	C2-4
-MODELS IN THIS CATALOG	E5

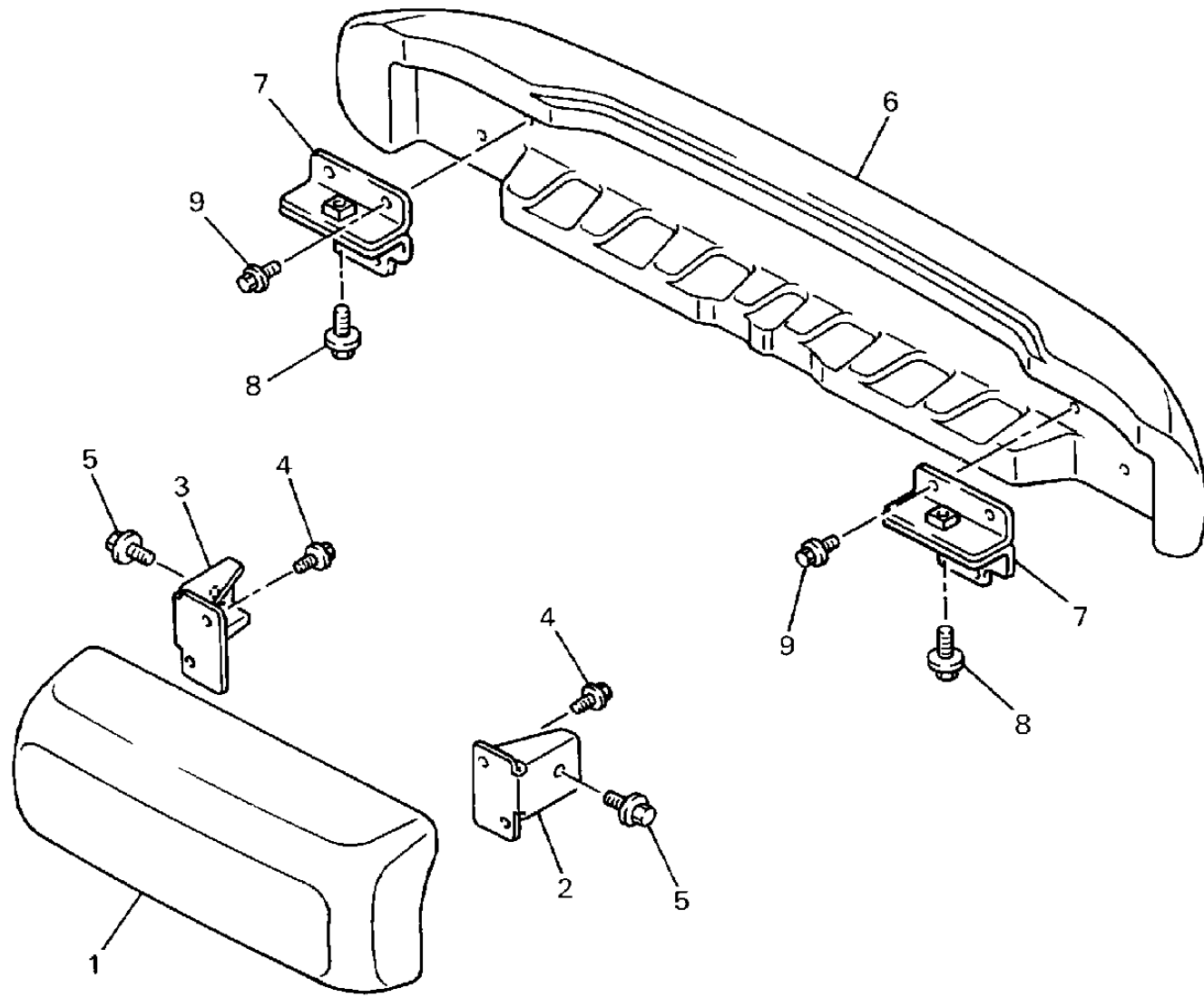


# BUMPER

Ref. No.	Part Number	Description	Qty	Remarks
1	JN3-K7510-02-00	FRONT BUMPER COMP. ....	1	
2	JN3-K8164-00-00	STAY, FRONT BUMPER .....	1	
3	JN3-K8165-00-00	STAY, FRONT BUMPER .....	1	
4	95817-06016-00	BOLT, FLANGE .....	4	
5	95817-08016-00	BOLT, FLANGE .....	2	
6	JN6-K7540-00-00	REAR BUMPER .....	1	
7	JN3-K8174-00-00	STAY, REAR BUMPER .....	2	
8	95817-10020-00	BOLT, FLANGE .....	2	
9	95817-06016-00	BOLT, FLANGE .....	4	

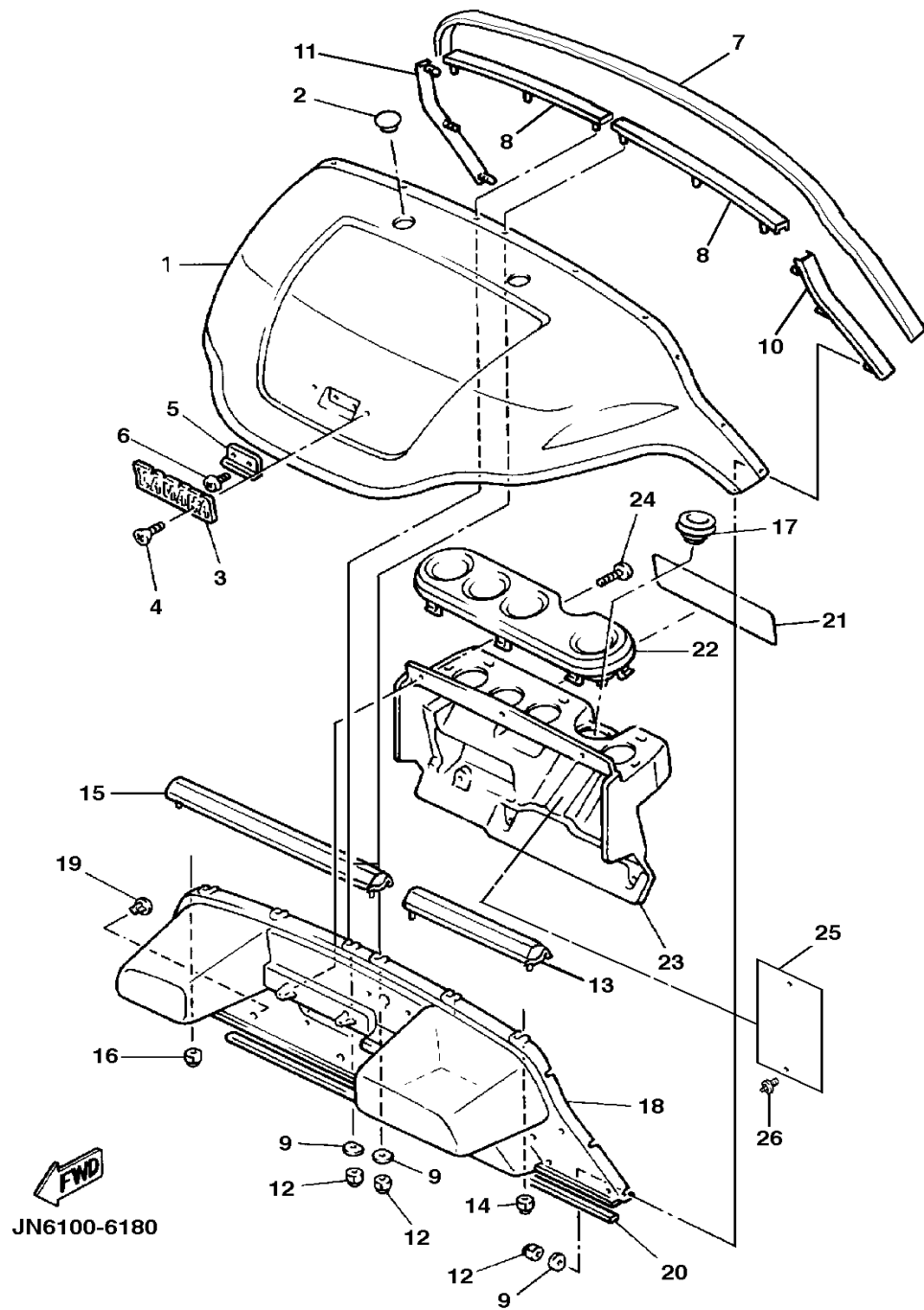
## CONTENTS

ACCELERATOR	B10
AIR SHROUD FAN	A6
BODY 1	C8-9
BODY 2	C10-11
BODY FITTING	C12
BRAKE 1	B6-7
BRAKE 2	B8
BRAKE 3	B9
BUMPER	C7
CAMSHAFT VALVE	A5
CARBURETOR	A8
CARRIER	D1
CRANKCASE	A10
CRANKSHAFT PISTON	A4
CYLINDER HEAD	A3
ELECTRICAL 1	D6
ELECTRICAL 2	D7-8
ENGINE ASSEMBLY	A2
ENGINE MOUNT	A11
EXHAUST	A9
FRAME	B1
FRONT SUSPENSION WHEEL	B2-3
FUEL TANK	B5
GOVERNOR	B11
INTAKE	A7
OPTIONAL HUB CAPS	D9
OPTIONAL LIGHT KIT	E2
OPTIONAL LIGHT KIT	E2
STREAMLINE JU0	E3-4
OPTIONAL SUN ROOF JN3	D12
OPTIONAL SUN ROOF JN6	E1
OPTIONAL WINDSHIELD JN3	D10
OPTIONAL WINDSHIELD JN6	D11
PRIMARY CLUTCH	B12
REAR ARM SUSPENSION	A12
REAR AXLE MOUNT WHEEL	C5
SEAT	D2-3
SECONDARY SHEAVE	C1
SHIFTER CABLES	C6
STARTER GENERATOR	D4-5
STEERING	B4
TRANSAXLE	C2-4
-MODELS IN THIS CATALOG	E5



JN6100-6170

# BODY 1



Ref. No.	Part Number	Description	Qty	Remarks
1	JN3-K8115-00-00	COWL, FRONT .....	1	IVORY
	JN3-K8115-10-00	COWL, FRONT .....	1	RED
	JN3-K8115-20-00	COWL, FRONT .....	1	GRAY
	JN3-K8115-30-00	COWL, FRONT .....	1	TEAL
	JN3-K8115-50-00	COWL, FRONT .....	1	HUNTER
2	JN3-K818E-00-00	CAP, PROTECTOR .....	2	WITHOUT SUNTOP
3	JN6-F4161-00-00	EMBLEM, 1 .....	1	
4	90162-04002-00	SCREW, OVAL C .....	2	
5	JF2-K811G-00-00	BOLT, COWL FITTING .....	1	
6	98980-06016-00	SCREW, BINDING .....	2	
7	JF2-K811V-00-00	PROTECTOR .....	1	
8	JF2-K8261-02-00	PLATE, BODY PROTECTOR ..	2	
9	JN3-K8117-00-00	PLATE .....	12	
10	JF2-K8262-01-00	PLATE, BODY PROTECTOR ..	1	
11	JF2-K8263-00-00	PLATE, BODY PROTECTOR ..	1	
12	90185-06836-00	NUT, SELF-LOCKING .....	12	
13	JN6-K8264-00-00	PLATE, BODY PROTECTOR ..	1	
14	95607-06200-00	NUT, SELF U-FLANGE .....	2	
15	JN6-K8265-00-00	PLATE, BODY PROTECTOR ..	1	
16	95607-06200-00	NUT, SELF U-FLANGE .....	2	
17	JN3-K8273-00-00	COVER, HOLE .....	1	
18	JF2-K8114-02-00	PANEL, FRONT .....	1	
19	90269-08069-00	RIVET .....	3	
20	JN3-K815G-00-00	SEAL, FRONT STORAGE .....	1	
21	JN3-K7768-00-00	LABEL, WARNING 8 .....	1	UR, FOR USA SEE NOTE A
	JN3-K7768-10-00	LABEL, WARNING 8 .....	1	UR, FOR CANADA SEE NOTE A
	JN3-K7768-20-00	LABEL, WARNING 8 .....	1	UR, FOR EUROPE SEE NOTE A
22	JN6-K835E-00-00	HOLDER, BEVERAGE .....	1	

## CONTENTS

ACCELERATOR	B10
AIR SHROUD FAN	A6
BODY 1	C8-9
BODY 2	C10-11
BODY FITTING	C12
BRAKE 1	B6-7
BRAKE 2	B8
BRAKE 3	B9
BUMPER	C7
CAMSHAFT VALVE	A5
CARBURETOR	A8
CARRIER	D1
CRANKCASE	A10
CRANKSHAFT PISTON	A4
CYLINDER HEAD	A3
ELECTRICAL 1	D6
ELECTRICAL 2	D7-8
ENGINE ASSEMBLY	A2
ENGINE MOUNT	A11
EXHAUST	A9
FRAME	B1
FRONT SUSPENSION WHEEL	B2-3
FUEL TANK	B5
GOVERNOR	B11
INTAKE	A7
OPTIONAL HUB CAPS	D9
OPTIONAL LIGHT KIT	E2
OPTIONAL LIGHT KIT	
STREAMLINE JU0	E3-4
OPTIONAL SUN ROOF JN3	D12
OPTIONAL SUN ROOF JN6	E1
OPTIONAL WINDSHIELD JN3	D10
OPTIONAL WINDSHIELD JN6	D11
PRIMARY CLUTCH	B12
REAR ARM SUSPENSION	A12
REAR AXLE MOUNT WHEEL	C5
SEAT	D2-3
SECONDARY SHEAVE	C1
SHIFTER CABLES	C6
STARTER GENERATOR	D4-5
STEERING	B4
TRANSAXLE	C2-4
-MODELS IN THIS CATALOG	E5

NOTE A: When replacing "Housing Holder, JN3-K835G-00-00", you should also replace "Label Warning 8, JN3-k7768-\*\*-00".

CONTINUED ON NEXT FRAME ►

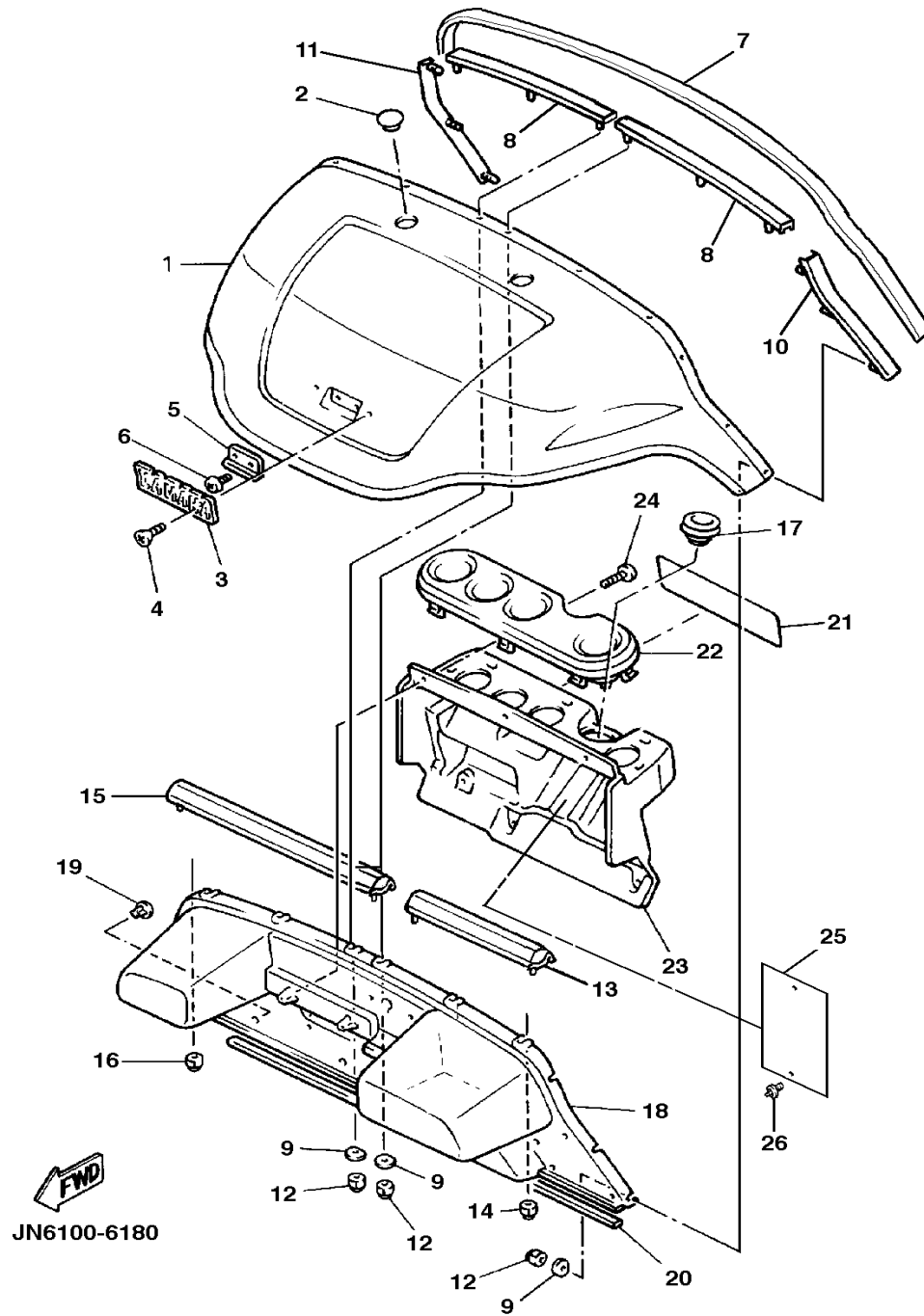


# BODY 1

Ref. No.	Part Number	Description	Qty	Remarks
23	JN3-K835G-00-00	HOUSING, HOLDER .....	1	SEE NOTE A
24	97707-60130-00	SCREW, PAN HEAD .....	6	
25	JN6-K8182-00-00	PLATE, 2 .....	1	
26	90267-63047-00	RIVET, BLIND .....	2	

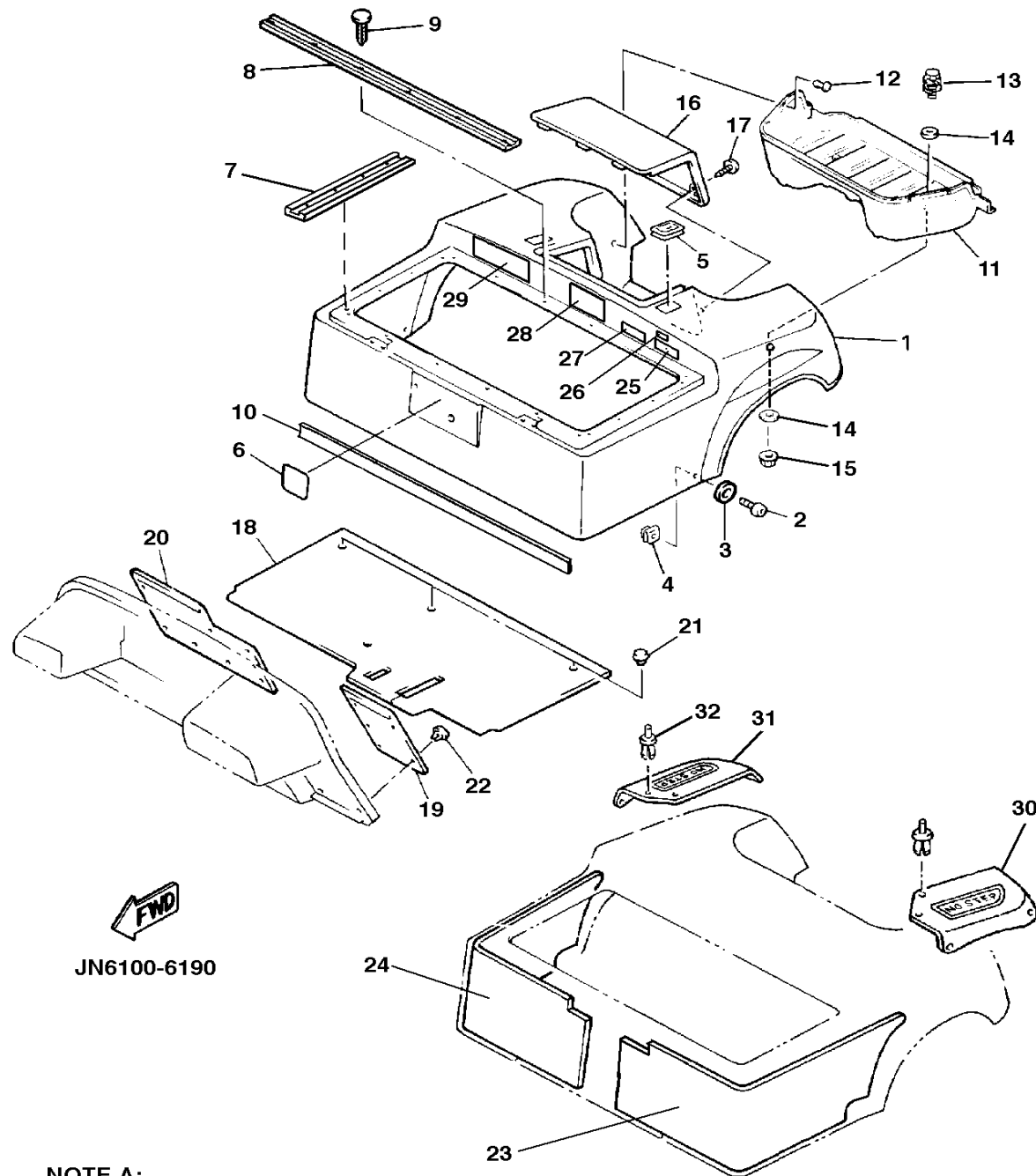
## CONTENTS

ACCELERATOR	B10
AIR SHROUD FAN	A6
BODY 1	C8-9
BODY 2	C10-11
BODY FITTING	C12
BRAKE 1	B6-7
BRAKE 2	B8
BRAKE 3	B9
BUMPER	C7
CAMSHAFT VALVE	A5
CARBURETOR	A8
CARRIER	D1
CRANKCASE	A10
CRANKSHAFT PISTON	A4
CYLINDER HEAD	A3
ELECTRICAL 1	D6
ELECTRICAL 2	D7-8
ENGINE ASSEMBLY	A2
ENGINE MOUNT	A11
EXHAUST	A9
FRAME	B1
FRONT SUSPENSION WHEEL	B2-3
FUEL TANK	B5
GOVERNOR	B11
INTAKE	A7
OPTIONAL HUB CAPS	D9
OPTIONAL LIGHT KIT	E2
OPTIONAL LIGHT KIT	
STREAMLINE JU0	E3-4
OPTIONAL SUN ROOF JN3	D12
OPTIONAL SUN ROOF JN6	E1
OPTIONAL WINDSHIELD JN3	D10
OPTIONAL WINDSHIELD JN6	D11
PRIMARY CLUTCH	B12
REAR ARM SUSPENSION	A12
REAR AXLE MOUNT WHEEL	C5
SEAT	D2-3
SECONDARY SHEAVE	C1
SHIFTER CABLES	C6
STARTER GENERATOR	D4-5
STEERING	B4
TRANSAXLE	C2-4
-MODELS IN THIS CATALOG	E5



NOTE A: When replacing "Housing Holder, JN3-K835G-00-00", you should also replace "Label Warning 8, JN3-k7768-\*\*-00".

# BODY 2



**NOTE A:**  
 When replacing "Panel Rear Body JN6-K8142-\*\*-00", you must also replace "Indicator 1 JN3-K7741-00-00", "Label JN6-h2377-00-00", "Plate Caution 3 JN3-K8299-10-00", and "Plate Caution ! Jn3-K8297-10-00".

Ref. No.	Part Number	Description	Qty	Remarks
1	JN6-K8142-00-00	PANEL, REAR BODY .....	1	IVORY SEE NOTE A
	JN6-K8142-10-00	PANEL, REAR BODY .....	1	RED SEE NOTE A
	JN6-K8142-20-00	PANEL, REAR BODY .....	1	GRAY SEE NOTE A
	JN6-K8142-30-00	PANEL, REAR BODY .....	1	TEAL SEE NOTE A
	JN6-K8142-50-00	PANEL, REAR BODY .....	1	HUNTER SEE NOTE A
2	90110-06200-00	BOLT, HEXAGON SOCKET HEAD .....	2	
3	90201-068H0-00	WASHER, PLAIN .....	2	
4	90183-06811-00	NUT, SPRING .....	2	
5	JN3-K8363-00-00	PROTECTOR .....	2	
6	JN3-K7741-00-00	INDICATOR .....	1	SEE NOTE A
7	JN3-K8425-00-00	SEAL, SEAT .....	2	
8	JN3-K842A-00-00	SEAL, SEAT .....	2	
9	90338-05834-00	PLUG .....	20	
10	JN6-K824E-00-00	TRIM, REAR BODY .....	1	
11	JF2-K8237-00-00	COVER, REAR FLOOR .....	1	
12	90269-08069-00	RIVET .....	7	
13	90101-06876-00	BOLT, HEX. W/WASHER .....	2	UR, JN6-007520~
14	90201-068G7-00	WASHER, PLAIN .....	4	UR, JN6-007520~
15	90185-06836-00	NUT, SELF-LOCKING .....	2	UR, JN6-007520~
16	JN3-K8151-00-00	PANEL, INSPECTION .....	1	
17	90267-36853-00	RIVET, BLIND .....	2	
18	JN6-K8233-00-00	MAT MAIN FLOOR 3 .....	1	
19	JN6-K8231-00-00	MAT MAIN FLOOR 1 .....	1	
20	JN6-K8232-00-00	MAT MAIN FLOOR 2 .....	1	
21	90269-08813-00	RIVET .....	4	
22	90267-63047-00	RIVET, BLIND .....	9	
23	JN6-K8251-01-00	PAD, SILENCER 1 .....	1	
24	JN6-K8252-01-00	PAD, SILENCER 2 .....	1	
25	JN6-F4236-00-00	MARK 2 .....	1	UR, JN6-000101~

## CONTENTS

ACCELERATOR	B10
AIR SHROUD FAN	A6
BODY 1	C8-9
BODY 2	C10-11
BODY FITTING	C12
BRAKE 1	B6-7
BRAKE 2	B8
BRAKE 3	B9
BUMPER	C7
CAMSHAFT VALVE	A5
CARBURETOR	A8
CARRIER	D1
CRANKCASE	A10
CRANKSHAFT PISTON	A4
CYLINDER HEAD	A3
ELECTRICAL 1	D6
ELECTRICAL 2	D7-8
ENGINE ASSEMBLY	A2
ENGINE MOUNT	A11
EXHAUST	A9
FRAME	B1
FRONT SUSPENSION WHEEL	B2-3
FUEL TANK	B5
GOVERNOR	B11
INTAKE	A7
OPTIONAL HUB CAPS	D9
OPTIONAL LIGHT KIT	E2
OPTIONAL LIGHT KIT	
STREAMLINE JU0	E3-4
OPTIONAL SUN ROOF JN3	D12
OPTIONAL SUN ROOF JN6	E1
OPTIONAL WINDSHIELD JN3	D10
OPTIONAL WINDSHIELD JN6	D11
PRIMARY CLUTCH	B12
REAR ARM SUSPENSION	A12
REAR AXLE MOUNT WHEEL	C5
SEAT	D2-3
SECONDARY SHEAVE	C1
SHIFTER CABLES	C6
STARTER GENERATOR	D4-5
STEERING	B4
TRANSAXLE	C2-4
~MODELS IN THIS CATALOG	E5

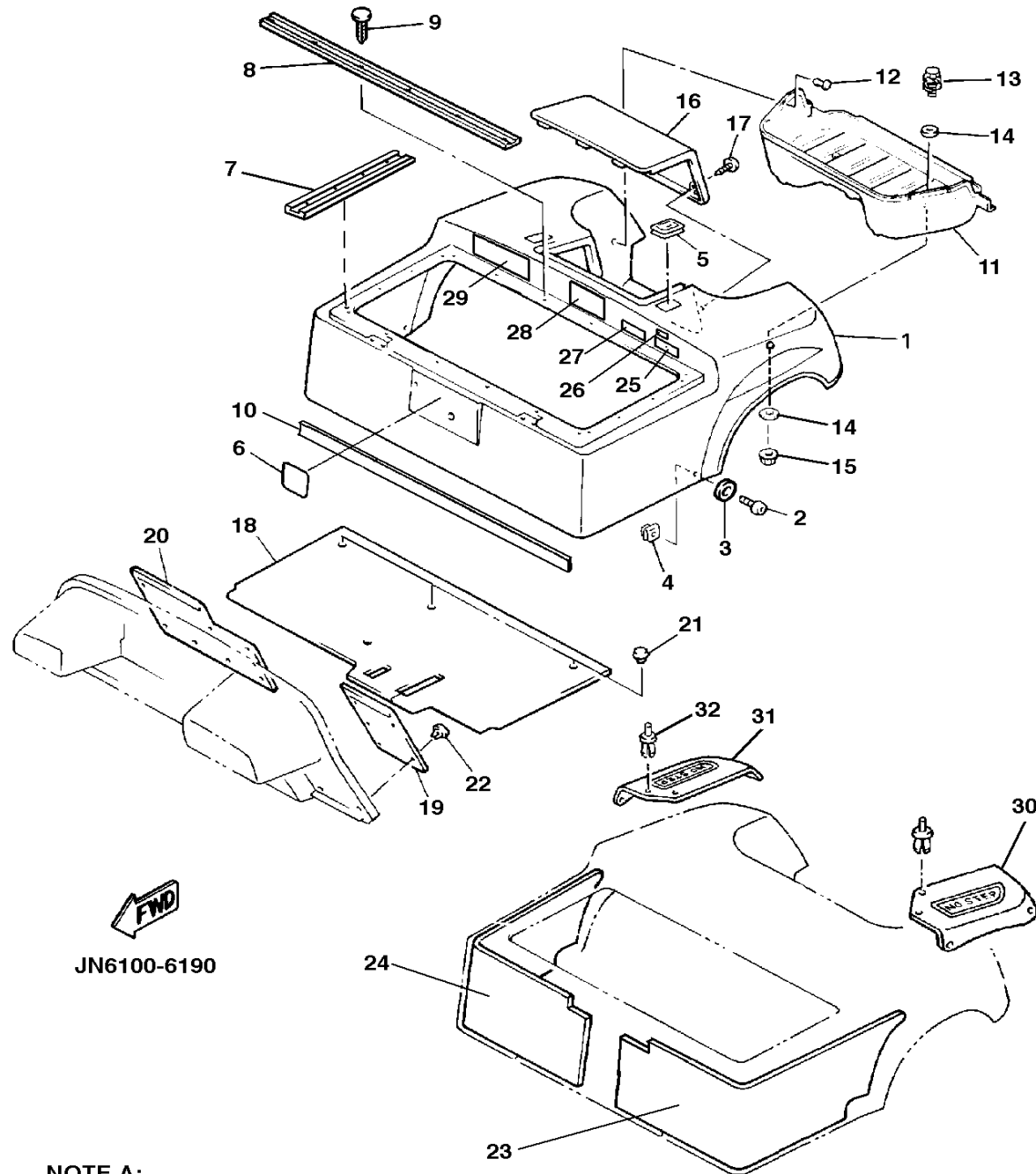
CONTINUED ON NEXT FRAME ➤

# BODY 2

Ref. No.	Part Number	Description	Qty	Remarks
25	JN6-F4236-10-00	MARK 2 .....	1	UR, JN6-112964~
	JN6-F4236-20-00	MARK 2 .....	1	UR, JN6-212001~
	JN6-F4236-30-00	MARK 2 .....	1	UR, JN6-312501~
	JN6-F4236-40-00	MARK 2 .....	1	UR, JN6-400101~
26	JN6-F4239-00-00	MARK 5 .....	1	UR
27	JN6-H24239-00-00	LABEL .....	1	UR, SEE NOTE A
28	JN3-K8299-10-00	PLATE, CAUTION 3 .....	1	UR, SEE NOTE A
29	JN3-K8297-10-00	PLATE, CAUTION 1 .....	1	UR, SEE NOTE A
30	JN3-K8243-00-00	MAT, BODY SIDE LEFT .....	1	JN6-100101~
31	JN3-K8244-00-00	MAT, BODY SIDE RIGHT .....	1	JN6-100101~
32	90269-07810-00	RIVET .....	10	JN6-100101~

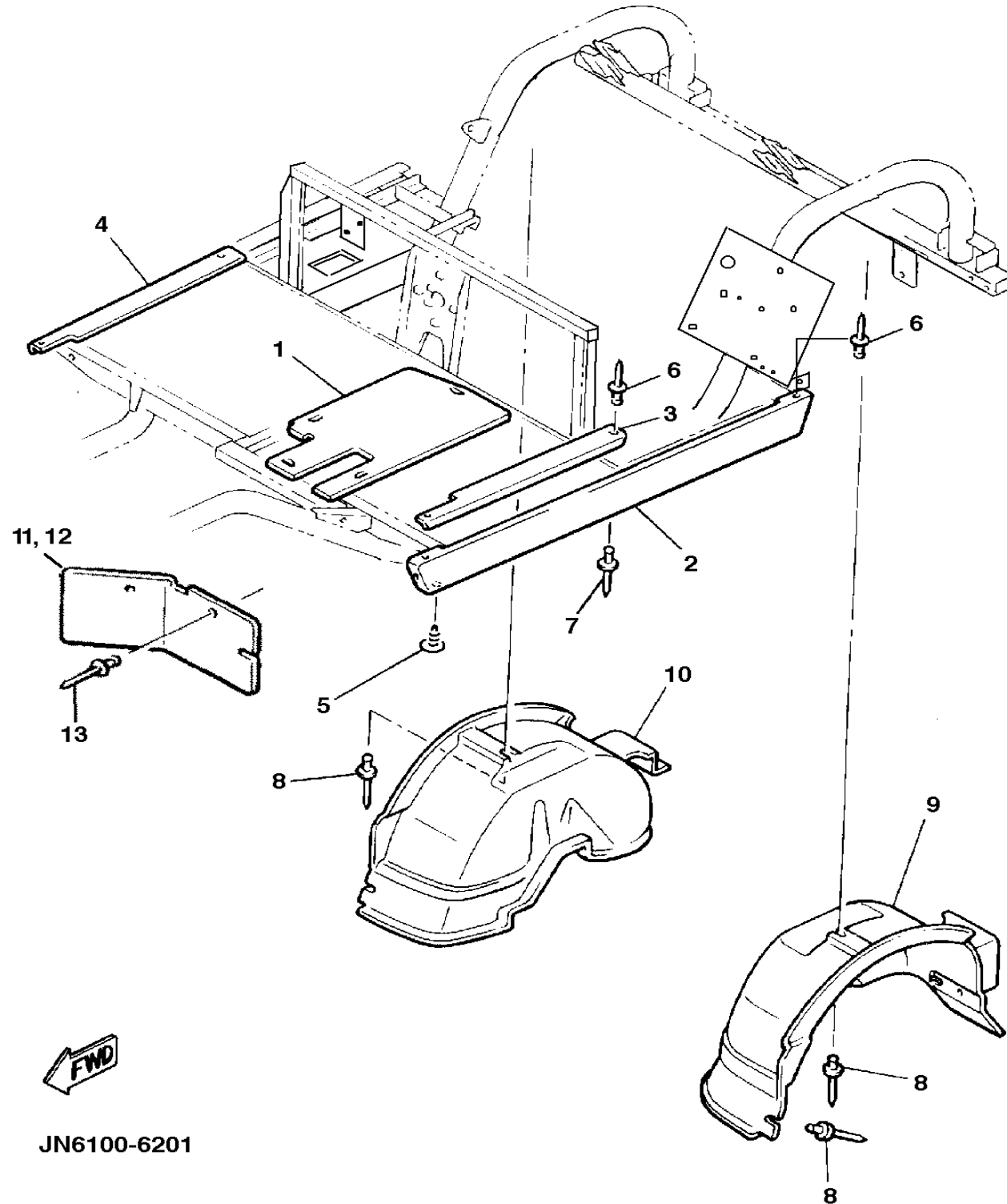
## CONTENTS

ACCELERATOR	B10
AIR SHROUD FAN	A6
BODY 1	C8-9
BODY 2	C10-11
BODY FITTING	C12
BRAKE 1	B6-7
BRAKE 2	B8
BRAKE 3	B9
BUMPER	C7
CAMSHAFT VALVE	A5
CARBURETOR	A8
CARRIER	D1
CRANKCASE	A10
CRANKSHAFT PISTON	A4
CYLINDER HEAD	A3
ELECTRICAL 1	D6
ELECTRICAL 2	D7-8
ENGINE ASSEMBLY	A2
ENGINE MOUNT	A11
EXHAUST	A9
FRAME	B1
FRONT SUSPENSION WHEEL	B2-3
FUEL TANK	B5
GOVERNOR	B11
INTAKE	A7
OPTIONAL HUB CAPS	D9
OPTIONAL LIGHT KIT	E2
OPTIONAL LIGHT KIT	E2
STREAMLINE JU0	E3-4
OPTIONAL SUN ROOF JN3	D12
OPTIONAL SUN ROOF JN6	E1
OPTIONAL WINDSHIELD JN3	D10
OPTIONAL WINDSHIELD JN6	D11
PRIMARY CLUTCH	B12
REAR ARM SUSPENSION	A12
REAR AXLE MOUNT WHEEL	C5
SEAT	D2-3
SECONDARY SHEAVE	C1
SHIFTER CABLES	C6
STARTER GENERATOR	D4-5
STEERING	B4
TRANSAXLE	C2-4
-MODELS IN THIS CATALOG	E5



NOTE A:  
 When replacing "Panel Rear Body JN6-K8142-\*\*-00", you must also replace "Indicator 1 JN3-K7741-00-00", "Label JN6-h2377-00-00", "Plate Caution 3 JN3-K8299-10-00", and "Plate Caution ! Jn3-K8297-10-00".

# BODY FITTING



Ref. No.	Part Number	Description	Qty	Remarks
1	JN6-K8271-00-00	SERVICE LID .....	1	
2	JF2-K818A-00-00	PROTECTOR, SIDE .....	2	
3	JF2-K8215-10-00	PLATE, SIDE TRIM .....	1	
4	JF2-K821F-10-00	PLATE, SIDE TRIM .....	1	
5	90338-05829-00	PLUG .....	4	
6	90267-48154-00	RIVET, BLIND .....	6	
7	90267-48101-00	RIVET, BLIND .....	4	
8	90267-48086-00	RIVET, BLIND .....	4	
9	JF2-K8191-00-00	PANEL, REAR FENDER .....	1	
10	JF2-K8192-00-00	PANEL, REAR FENDER .....	1	
11	JF2-K8187-00-00	FLAP, FRONT FENDER LEFT .	1	JN6-200101~
12	JF2-K8189-00-00	FLAP, FRONT FENDER RIGHT	1	JN6-200101~
13	90267-48831-00	RIVET, BLIND .....	4	JN6-200101~

## CONTENTS

ACCELERATOR	B10
AIR SHROUD FAN	A6
BODY 1	C8-9
BODY 2	C10-11
BODY FITTING	C12
BRAKE 1	B6-7
BRAKE 2	B8
BRAKE 3	B9
BUMPER	C7
CAMSHAFT VALVE	A5
CARBURETOR	A8
CARRIER	D1
CRANKCASE	A10
CRANKSHAFT PISTON	A4
CYLINDER HEAD	A3
ELECTRICAL 1	D6
ELECTRICAL 2	D7-8
ENGINE ASSEMBLY	A2
ENGINE MOUNT	A11
EXHAUST	A9
FRAME	B1
FRONT SUSPENSION WHEEL	B2-3
FUEL TANK	B5
GOVERNOR	B11
INTAKE	A7
OPTIONAL HUB CAPS	D9
OPTIONAL LIGHT KIT	E2
OPTIONAL LIGHT KIT	
STREAMLINE JU0	E3-4
OPTIONAL SUN ROOF JN3	D12
OPTIONAL SUN ROOF JN6	E1
OPTIONAL WINDSHIELD JN3	D10
OPTIONAL WINDSHIELD JN6	D11
PRIMARY CLUTCH	B12
REAR ARM SUSPENSION	A12
REAR AXLE MOUNT WHEEL	C5
SEAT	D2-3
SECONDARY SHEAVE	C1
SHIFTER CABLES	C6
STARTER GENERATOR	D4-5
STEERING	B4
TRANSAXLE	C2-4
-MODELS IN THIS CATALOG	E5

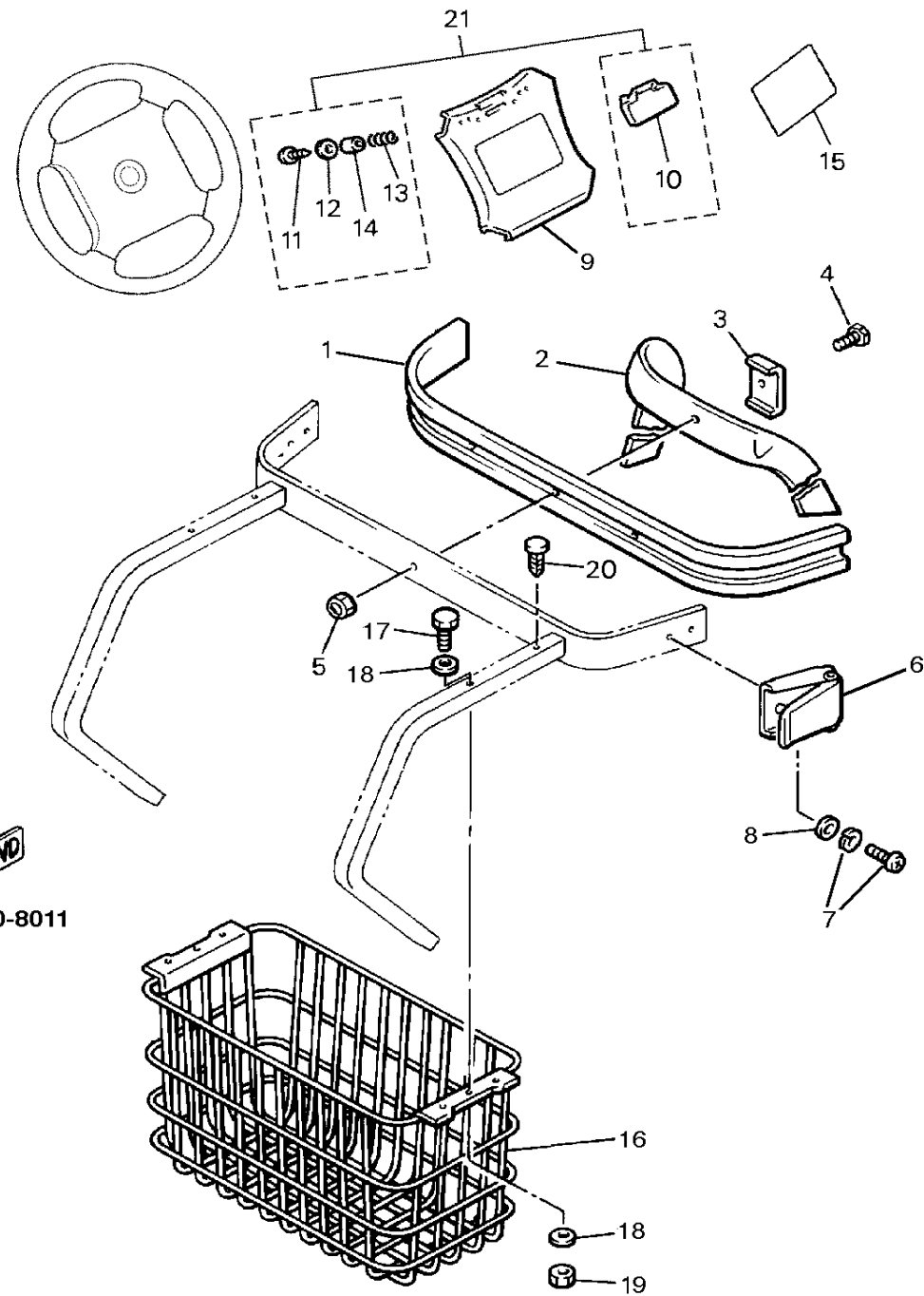
JN6100-6201

# CARRIER

## CONTENTS

Ref. No.	Part Number	Description	Qty	Remarks
1	JF2-K8356-00-00	PAD, BAG SUPPORT .....	1	
2	JN6-K8355-00-00	BAND .....	1	
3	J38-78367-00-00	PLATE, ANCHOR .....	1	
4	90101-06865-00	BOLT, HEX .....	1	
5	90185-06836-00	NUT, SELF-LOCKING .....	1	
6	JN6-K8380-00-00	LOCK ASSY .....	2	
7	90159-06845-00	SCREW, WITH WASHER .....	4	
8	9299R-06200-00	WASHER, PLAIN .....	4	
9	JN3-K8357-00-00	HOLDER .....	1	SEE NOTE A
10	JN6-K8358-00-00	HOLDER, 2 .....	1	
11	97707-40625-00	SCREW, PAN HEAD .....	2	
12	90201-044H9-00	WASHER, PLAIN .....	2	
13	90502-10013-00	SPRING, CONICAL .....	2	
14	90387-046N7-00	COLLAR .....	2	
15	JN3-K7762-01-00	LABEL, WARNING 2 .....	1	UR, FOR USA SEE NOTE A
	JN3-K7762-10-00	LABEL, WARNING 2 .....	1	UR, FOR CANADA SEE NOTE A
	JN3-K7762-20-00	LABEL, WARNING 2 .....	1	UR, FOR EUROPE SEE NOTE A
16	JN3-K8340-00-00	LUGGAGE RACK .....	1	
17	90111-08803-00	BOLT, HEX. SOCKET .....	2	
18	90201-08103-00	WASHER, PLAIN .....	4	
19	90185-08832-00	NUT, SELF-LOCKING .....	2	
20	90338-09828-00	PLUG .....	2	
21	JN6-K8358-00-KT	SCOREBOARD HOLDER KIT ..	1	SEE NOTE B

ACCELERATOR	B10
AIR SHROUD FAN	A6
BODY 1	C8-9
BODY 2	C10-11
BODY FITTING	C12
BRAKE 1	B6-7
BRAKE 2	B8
BRAKE 3	B9
BUMPER	C7
CAMSHAFT VALVE	A5
CARBURETOR	A8
CARRIER	D1
CRANKCASE	A10
CRANKSHAFT PISTON	A4
CYLINDER HEAD	A3
ELECTRICAL 1	D6
ELECTRICAL 2	D7-8
ENGINE ASSEMBLY	A2
ENGINE MOUNT	A11
EXHAUST	A9
FRAME	B1
FRONT SUSPENSION WHEEL	B2-3
FUEL TANK	B5
GOVERNOR	B11
INTAKE	A7
OPTIONAL HUB CAPS	D9
OPTIONAL LIGHT KIT	E2
OPTIONAL LIGHT KIT	
STREAMLINE JU0	E3-4
OPTIONAL SUN ROOF JN3	D12
OPTIONAL SUN ROOF JN6	E1
OPTIONAL WINDSHIELD JN3	D10
OPTIONAL WINDSHIELD JN6	D11
PRIMARY CLUTCH	B12
REAR ARM SUSPENSION	A12
REAR AXLE MOUNT WHEEL	C5
SEAT	D2-3
SECONDARY SHEAVE	C1
SHIFTER CABLES	C6
STARTER GENERATOR	D4-5
STEERING	B4
TRANSAXLE	C2-4
-MODELS IN THIS CATALOG	E5



NOTE A: When replacing "Holder 1, JN3-K8557-00-00", you must also replace "Label warning 2, JN3-K7762-\*\*-00".

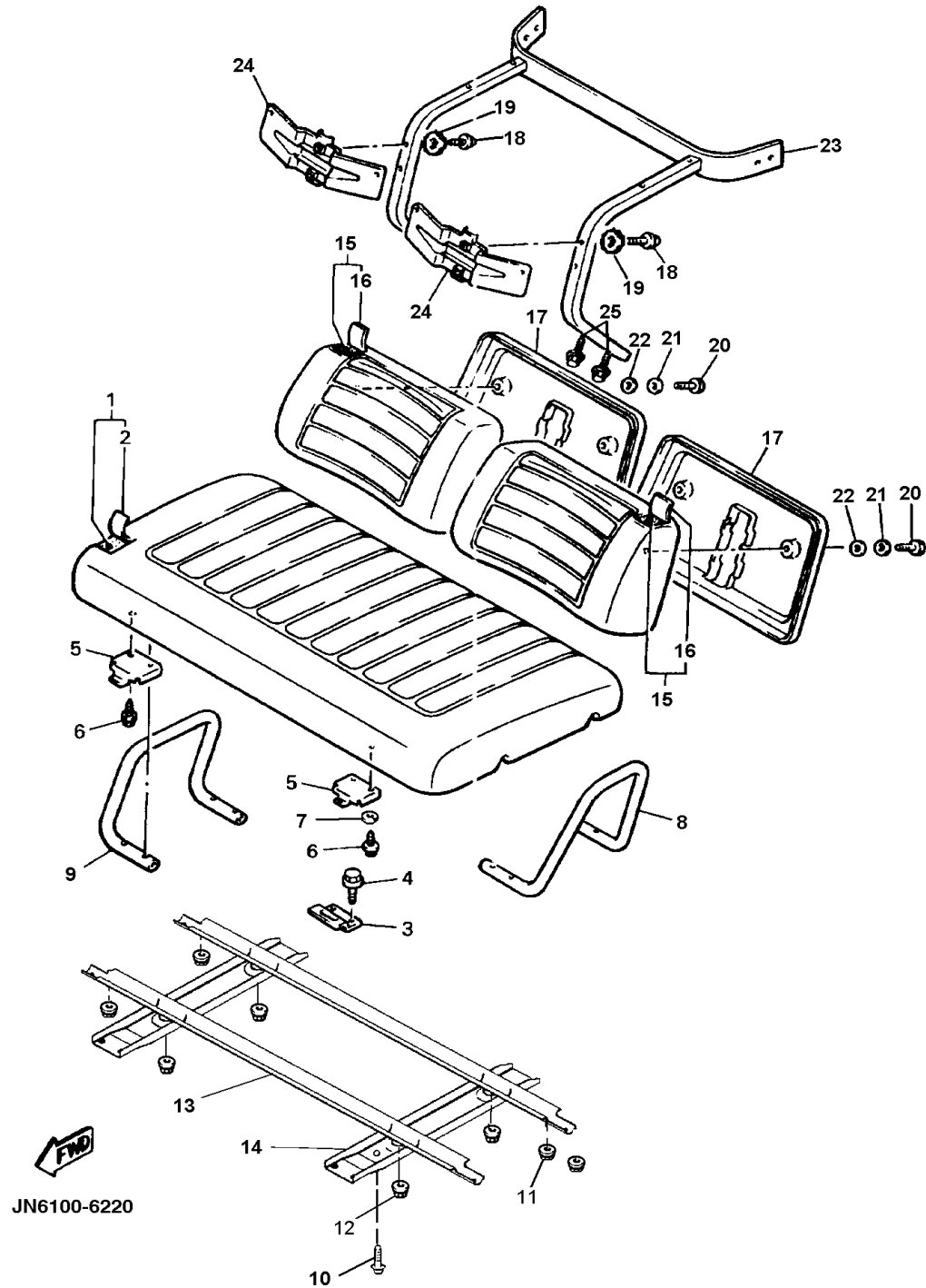
NOTE B: Includes 10, 11, 12, 13 and 14.

# SEAT

Ref. No.	Part Number	Description	Qty	Remarks
1	JN6-K8401-00-00	CUSHION SEAT	1	UR, ~JN6-300100
	JN6-K8401-10-00	CUSHION, SEAT	1	UR, JN6-300101~
2	JN6-K8404-09-00	. COVER, SEAT	1	UR, ~JN6-300100, FOR -00 SEAT
	JN6-K8404-10-00	. COVER, SEAT	1	UR, JN6-300101~ FOR -10 SEAT
3	JF2-K8427-00-00	HINGE, SEAT FEMALE	2	
4	90105-06903-00	BOLT, FLANGE	4	
5	JN3-K8426-00-00	HINGE, SEAT MALE	2	UR, ~JN6-212471
	JN3-K8426-01-00	HINGE, SEAT MALE	2	UR, JN6-212472~
6	97095-05012-00	BOLT, HEX	4	UR, ~JN6-212471
	90111-06810-00	BOLT, BUTTON	4	UR, JN6-212472~
7	92990-05100-00	WASHER, LOCK	4	UR, ~JN6-212471
	90204-06870-00	WASHER, LOCK	4	UR, JN6-212472~
8	JN6-K8361-00-00	ARM REST 1	1	
9	JN6-K8362-00-00	ARM REST 2	1	
10	90167-04815-00	SCREW, P/H TAPPING	4	
11	90185-08839-00	NUT, SELF-LOCKING	8	
12	95617-08200-00	NUT, U-FLANGE (95607-08200-00)	4	
13	JN6-K8121-00-00	REINFORCEMENT 1	2	
14	JN6-K8122-00-00	REINFORCEMENT 2	2	~JN6-212471, NOT AVAILABLE USE -01 AND SEE NOTE A
	JN6-K8122-01-00	REINFORCEMENT 2	2	JN6-212471~, SEE NOTE A
15	JN3-K8402-00-00	BACK, SEAT SUB	2	
16	JN3-K841G-09-00	. COVER, SEAT BACK 2	1	
17	JN3-K8413-00-00	COVER, SEAT BACK	2	
18	90119-08820-00	BOLT, HEX WITH WASHER	4	
19	90201-098J4-00	WASHER, PLAIN	4	
20	95895-06025-00	BOLT, FLANGE	4	

## CONTENTS

ACCELERATOR	B10
AIR SHROUD FAN	A6
BODY 1	C8-9
BODY 2	C10-11
BODY FITTING	C12
BRAKE 1	B6-7
BRAKE 2	B8
BRAKE 3	B9
BUMPER	C7
CAMSHAFT VALVE	A5
CARBURETOR	A8
CARRIER	D1
CRANKCASE	A10
CRANKSHAFT PISTON	A4
CYLINDER HEAD	A3
ELECTRICAL 1	D6
ELECTRICAL 2	D7-8
ENGINE ASSEMBLY	A2
ENGINE MOUNT	A11
EXHAUST	A9
FRAME	B1
FRONT SUSPENSION WHEEL	B2-3
FUEL TANK	B5
GOVERNOR	B11
INTAKE	A7
OPTIONAL HUB CAPS	D9
OPTIONAL LIGHT KIT	E2
OPTIONAL LIGHT KIT	
STREAMLINE JU0	E3-4
OPTIONAL SUN ROOF JN3	D12
OPTIONAL SUN ROOF JN6	E1
OPTIONAL WINDSHIELD JN3	D10
OPTIONAL WINDSHIELD JN6	D11
PRIMARY CLUTCH	B12
REAR ARM SUSPENSION	A12
REAR AXLE MOUNT WHEEL	C5
SEAT	D2-3
SECONDARY SHEAVE	C1
SHIFTER CABLES	C6
STARTER GENERATOR	D4-5
STEERING	B4
TRANSAXLE	C2-4
~MODELS IN THIS CATALOG	E5



NOTE A: When using -01 REINF 2 on units prior to JN6-212472, you must also use ref. #5, Hinge, Seat Male (JN3-K8426-01-00), #6 Bolt Button (90111-06810-00) and #7 Washer, Lock (90204-06870-00).

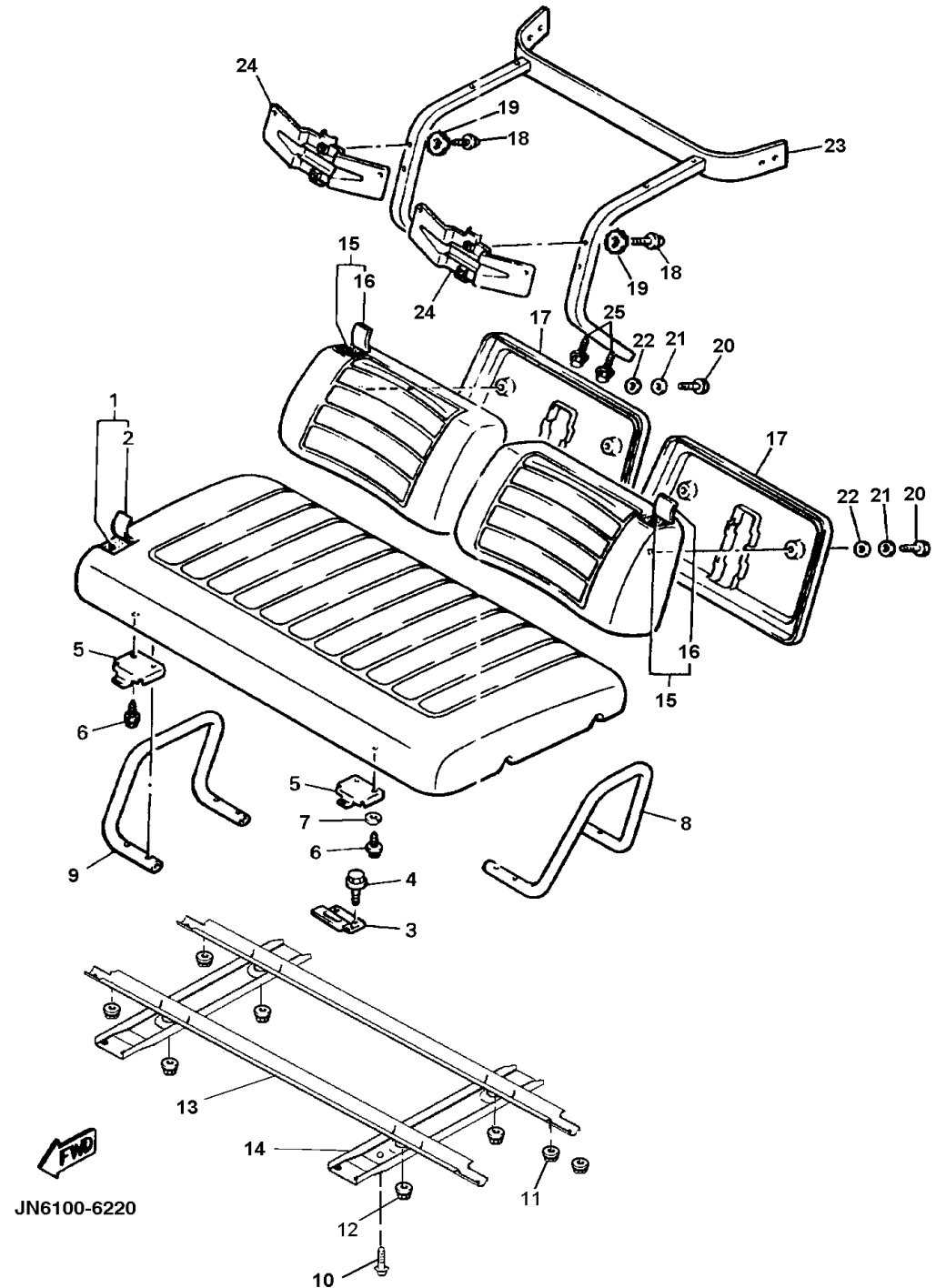
CONTINUED ON NEXT FRAME ►

# SEAT

Ref. No.	Part Number	Description	Qty	Remarks
21	90201-068G0-00	WASHER, PLAIN	4	
22	90201-068G6-00	WASHER, PLAIN	4	
23	JN3-K8423-11-00	SUPPORT, SEAT BACK	1	
24	JN3-K842H-00-00	RETAINER, SEAT	2	
25	95817-08045-00	BOLT, FLANGE	4	

## CONTENTS

ACCELERATOR	B10
AIR SHROUD FAN	A6
BODY 1	C8-9
BODY 2	C10-11
BODY FITTING	C12
BRAKE 1	B6-7
BRAKE 2	B8
BRAKE 3	B9
BUMPER	C7
CAMSHAFT VALVE	A5
CARBURETOR	A8
CARRIER	D1
CRANKCASE	A10
CRANKSHAFT PISTON	A4
CYLINDER HEAD	A3
ELECTRICAL 1	D6
ELECTRICAL 2	D7-8
ENGINE ASSEMBLY	A2
ENGINE MOUNT	A11
EXHAUST	A9
FRAME	B1
FRONT SUSPENSION WHEEL	B2-3
FUEL TANK	B5
GOVERNOR	B11
INTAKE	A7
OPTIONAL HUB CAPS	D9
OPTIONAL LIGHT KIT	E2
OPTIONAL LIGHT KIT	
STREAMLINE JU0	E3-4
OPTIONAL SUN ROOF JN3	D12
OPTIONAL SUN ROOF JN6	E1
OPTIONAL WINDSHIELD JN3	D10
OPTIONAL WINDSHIELD JN6	D11
PRIMARY CLUTCH	B12
REAR ARM SUSPENSION	A12
REAR AXLE MOUNT WHEEL	C5
SEAT	D2-3
SECONDARY SHEAVE	C1
SHIFTER CABLES	C6
STARTER GENERATOR	D4-5
STEERING	B4
TRANSAXLE	C2-4
-MODELS IN THIS CATALOG	E5



JN6100-6220

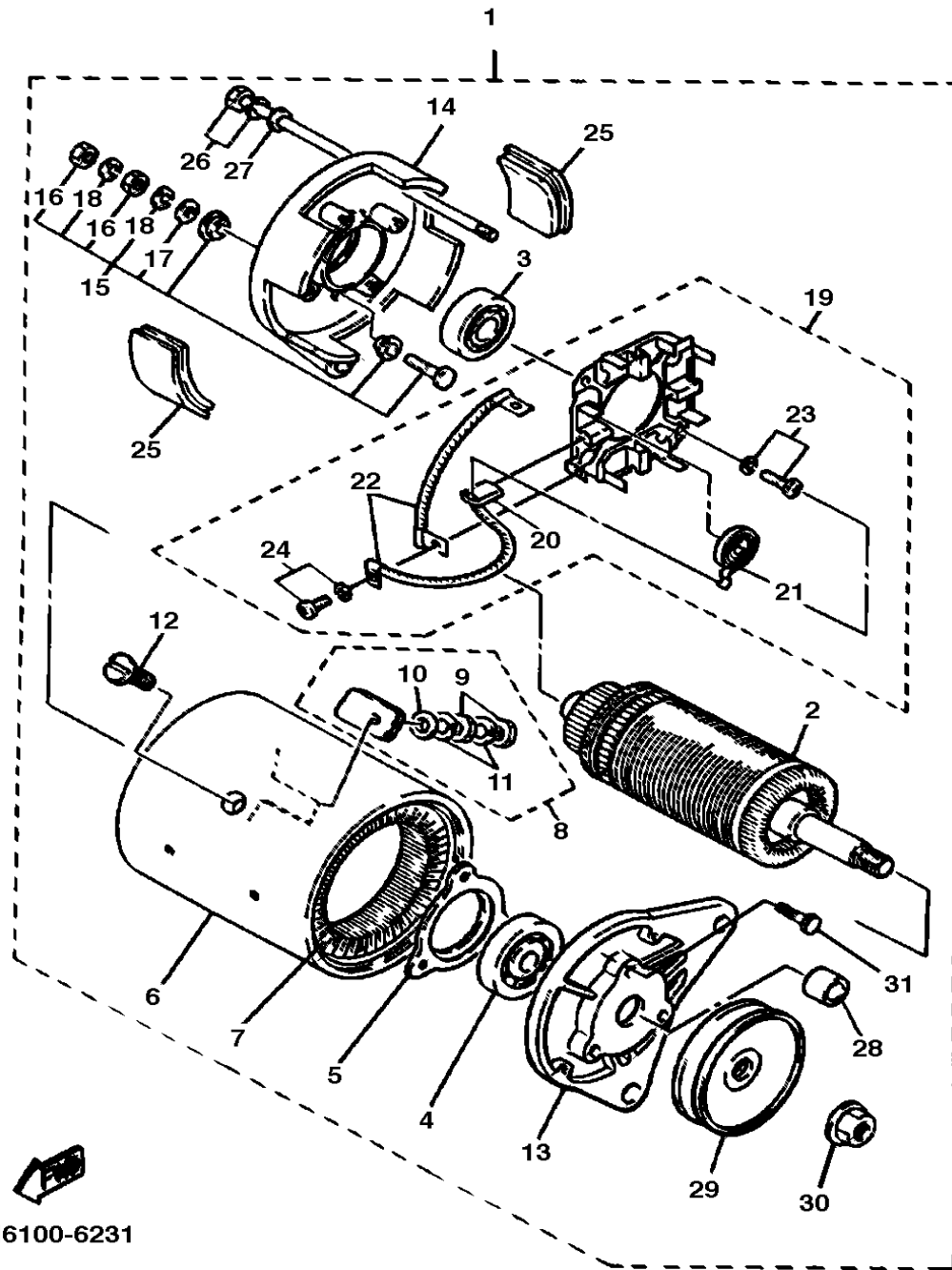
NOTE A: When using -01 REINF 2 on units prior to JN6-212472, you must also use ref. #5, Hinge, Seat Male (JN3 -K8426-01-00), #6 Bolt Button (90111-06810-00) and #7 Washer, Lock (90204-06870-00).

# STARTER GENERATOR

Ref. No.	Part Number	Description	Qty	Remarks
1	JN6-H1100-01-00	STARTER GENERATOR	1	
2	JN3-H1150-00-00	. ARMATURE ASSEMBLY	1	
3	93306-20226-00	. BEARING 1 (6202 SD)	1	
4	J10-81158-10-00	. BEARING 2 (6203 SD)	1	
5	J10-81159-10-00	. HOLDER, BEARING	1	
6	JN6-81110-10-00	. STATOR ASSEMBLY	1	
7	JN6-81160-10-00	. FIELD COIL ASSEMBLY	1	
8	J10-81148-10-00	. SCREW 4	2	
9	95380-06600-00	. NUT	4	
10	92990-06600-00	. WASHER, PLATE	2	
11	92995-06100-00	. WASHER, SPRING	4	
12	J10-81146-10-00	. SCREW 2	4	
13	JN3-81165-10-00	. BRACKET, STARTER GENERATOR 1	1	
14	JN3-81166-10-00	. BRACKET, STARTER GENERATOR 2	1	
15	J10-81147-10-00	. SCREW 3	2	
16	95380-06600-00	. NUT	4	
17	92990-06600-00	. WASHER, PLATE	2	
18	92995-06100-00	. WASHER, SPRING	4	
19	JF2-81119-00-00	. BRUSH HOLDER ASSEMBLY	1	
20	JF2-81111-00-00	. BRUSH	4	
21	J38-81113-10-00	. SPRING, BRUSH	4	
22	J10-81115-10-00	. WIRE, LEAD	2	
23	98507-05016-00	. SCREW, PAN HEAD	2	
24	98580-04010-00	. SCREW, PAN HEAD	4	
25	J10-81129-10-00	. COVER, BRUSH	3	
26	J10-81145-10-00	. SCREW 1	2	
27	92990-06600-00	. WASHER, PLATE	2	
28	JN3-H1661-00-00	. SPACER	1	
29	JN3-H1161-00-00	. PULLEY	2	

## CONTENTS

ACCELERATOR	B10
AIR SHROUD FAN	A6
BODY 1	C8-9
BODY 2	C10-11
BODY FITTING	C12
BRAKE 1	B6-7
BRAKE 2	B8
BRAKE 3	B9
BUMPER	C7
CAMSHAFT VALVE	A5
CARBURETOR	A8
CARRIER	D1
CRANKCASE	A10
CRANKSHAFT PISTON	A4
CYLINDER HEAD	A3
ELECTRICAL 1	D6
ELECTRICAL 2	D7-8
ENGINE ASSEMBLY	A2
ENGINE MOUNT	A11
EXHAUST	A9
FRAME	B1
FRONT SUSPENSION WHEEL	B2-3
FUEL TANK	B5
GOVERNOR	B11
INTAKE	A7
OPTIONAL HUB CAPS	D9
OPTIONAL LIGHT KIT	E2
OPTIONAL LIGHT KIT	
STREAMLINE JU0	E3-4
OPTIONAL SUN ROOF JN3	D12
OPTIONAL SUN ROOF JN6	E1
OPTIONAL WINDSHIELD JN3	D10
OPTIONAL WINDSHIELD JN6	D11
PRIMARY CLUTCH	B12
REAR ARM SUSPENSION	A12
REAR AXLE MOUNT WHEEL	C5
SEAT	D2-3
SECONDARY SHEAVE	C1
SHIFTER CABLES	C6
STARTER GENERATOR	D4-5
STEERING	B4
TRANSAXLE	C2-4
-MODELS IN THIS CATALOG	E5



JN6100-6231

CONTINUED ON NEXT FRAME >

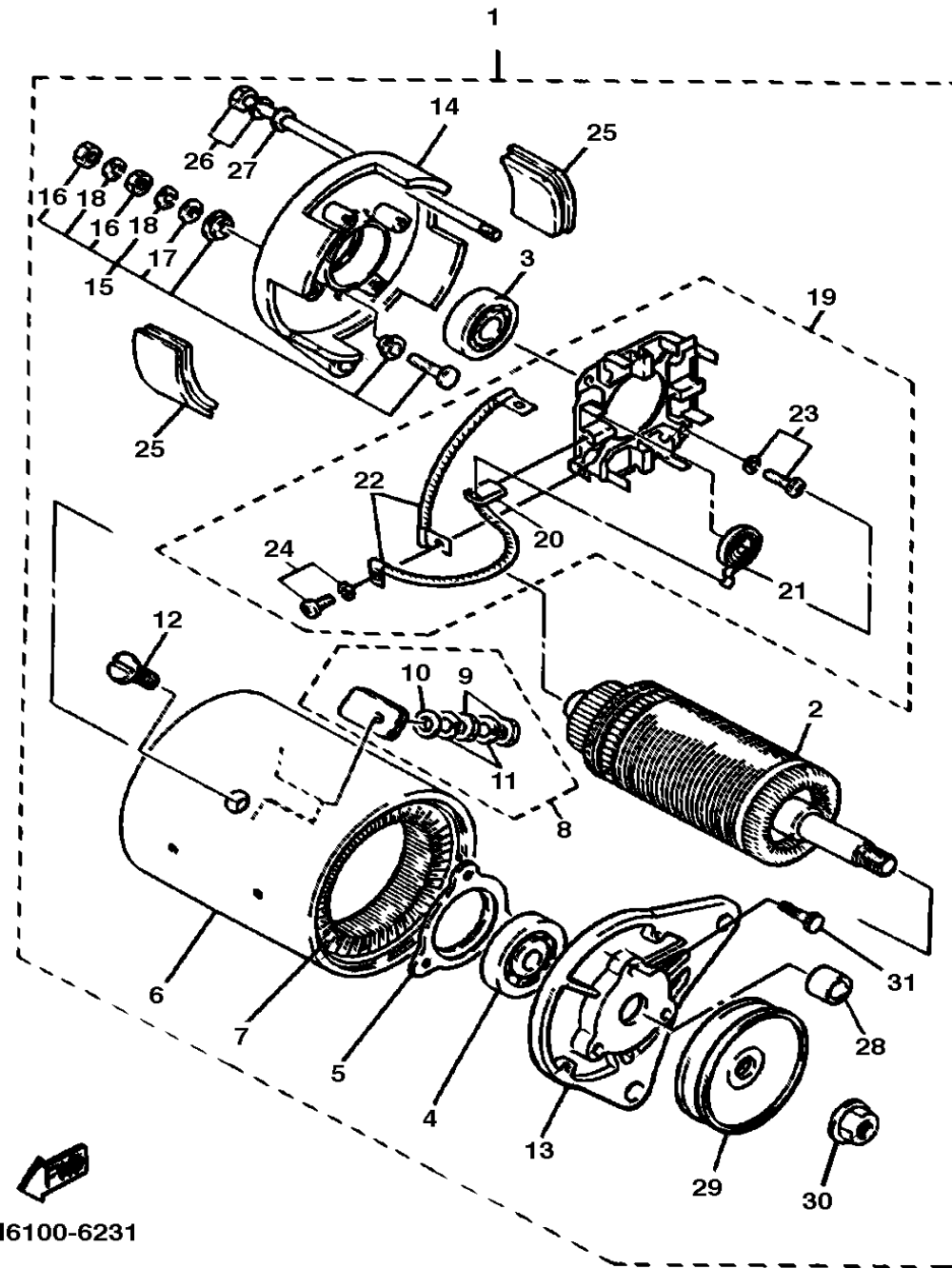


# STARTER GENERATOR

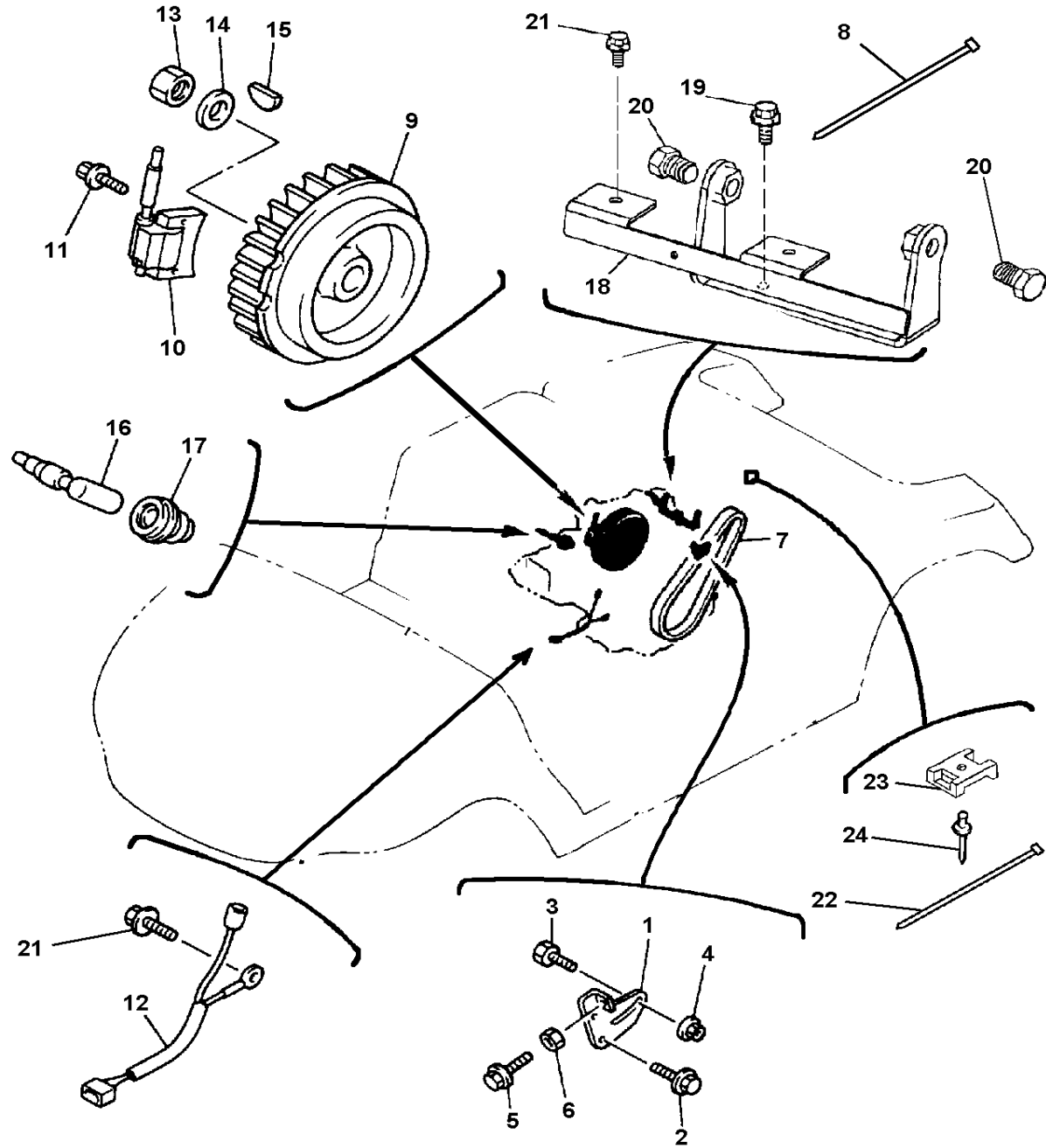
Ref. No.	Part Number	Description	Qty	Remarks
30	90179-16889-00	. NUT, FLANGE .....	1	
31	98507-05018-00	. SCREW .....	3	

## CONTENTS

ACCELERATOR	B10
AIR SHROUD FAN	A6
BODY 1	C8-9
BODY 2	C10-11
BODY FITTING	C12
BRAKE 1	B6-7
BRAKE 2	B8
BRAKE 3	B9
BUMPER	C7
CAMSHAFT VALVE	A5
CARBURETOR	A8
CARRIER	D1
CRANKCASE	A10
CRANKSHAFT PISTON	A4
CYLINDER HEAD	A3
ELECTRICAL 1	D6
ELECTRICAL 2	D7-8
ENGINE ASSEMBLY	A2
ENGINE MOUNT	A11
EXHAUST	A9
FRAME	B1
FRONT SUSPENSION WHEEL	B2-3
FUEL TANK	B5
GOVERNOR	B11
INTAKE	A7
OPTIONAL HUB CAPS	D9
OPTIONAL LIGHT KIT	E2
OPTIONAL LIGHT KIT	E2
STREAMLINE JU0	E3-4
OPTIONAL SUN ROOF JN3	D12
OPTIONAL SUN ROOF JN6	E1
OPTIONAL WINDSHIELD JN3	D10
OPTIONAL WINDSHIELD JN6	D11
PRIMARY CLUTCH	B12
REAR ARM SUSPENSION	A12
REAR AXLE MOUNT WHEEL	C5
SEAT	D2-3
SECONDARY SHEAVE	C1
SHIFTER CABLES	C6
STARTER GENERATOR	D4-5
STEERING	B4
TRANSAXLE	C2-4
-MODELS IN THIS CATALOG	E5



# ELECTRICAL 1



Ref. No.	Part Number	Description	Qty	Remarks
1	JN6-H1170-00-00	TENSIONER ASSEMBLY	1	
2	95817-08020-00	BOLT, FLANGE	2	
3	90109-087A5-00	BOLT	1	
4	95707-08500-00	NUT, FLANGE	1	
5	90101-06555-00	BOLT, HEX	1	
6	95317-06600-00	NUT (95307-06600-00)	1	
7	JN6-H1173-00-00	BELT	1	
8	90464-09823-00	CLAMP	1	
9	JN6-85650-00-00	ROTOR ASSY	1	
10	JN6-85640-00-00	T.C.I. UNIT	1	
11	95817-06025-00	BOLT, FLANGE	2	
12	JN6-82318-00-00	WIRE, SUB-LEAD	1	
13	95307-18600-00	NUT, HEX	1	
14	90201-18620-00	WASHER, PLAIN	1	
15	90280-04052-00	KEY, WOODRUFF	1	
16	85G-82370-20-00	PLUG CAP ASSEMBLY	1	
17	JE8-82372-00-00	SEAL, PLUG CAP	1	
18	JN6-H1171-00-00	BRACKET, STARTER GENERATOR	1	
19	95817-08020-00	BOLT, FLANGE	2	
20	95817-12025-00	BOLT, FLANGE	2	
21	95817-06016-00	BOLT, FLANGE	3	
22	90464-40825-00	CLAMP	2	
23	90207-05800-00	WASHER, FINISH	1	
24	90267-48838-00	RIVET	1	

## CONTENTS

ACCELERATOR	B10
AIR SHROUD FAN	A6
BODY 1	C8-9
BODY 2	C10-11
BODY FITTING	C12
BRAKE 1	B6-7
BRAKE 2	B8
BRAKE 3	B9
BUMPER	C7
CAMSHAFT VALVE	A5
CARBURETOR	A8
CARRIER	D1
CRANKCASE	A10
CRANKSHAFT PISTON	A4
CYLINDER HEAD	A3
ELECTRICAL 1	D6
ELECTRICAL 2	D7-8
ENGINE ASSEMBLY	A2
ENGINE MOUNT	A11
EXHAUST	A9
FRAME	B1
FRONT SUSPENSION WHEEL	B2-3
FUEL TANK	B5
GOVERNOR	B11
INTAKE	A7
OPTIONAL HUB CAPS	D9
OPTIONAL LIGHT KIT	E2
OPTIONAL LIGHT KIT	
STREAMLINE JU0	E3-4
OPTIONAL SUN ROOF JN3	D12
OPTIONAL SUN ROOF JN6	E1
OPTIONAL WINDSHIELD JN3	D10
OPTIONAL WINDSHIELD JN6	D11
PRIMARY CLUTCH	B12
REAR ARM SUSPENSION	A12
REAR AXLE MOUNT WHEEL	C5
SEAT	D2-3
SECONDARY SHEAVE	C1
SHIFTER CABLES	C6
STARTER GENERATOR	D4-5
STEERING	B4
TRANSAXLE	C2-4
-MODELS IN THIS CATALOG	E5

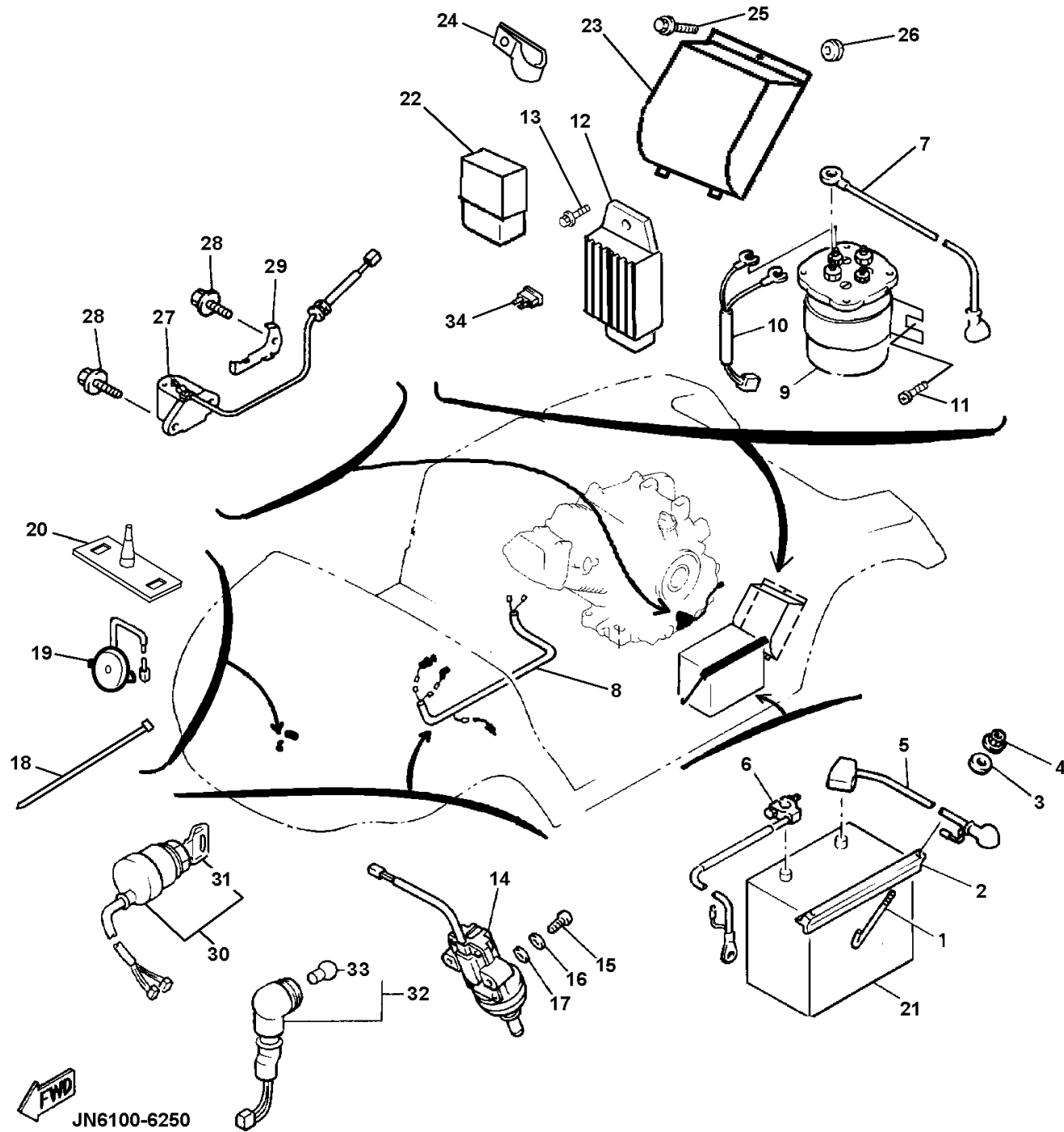
JN6100-6240

# ELECTRICAL 2

Ref. No.	Part Number	Description	Qty	Remarks
1	JN3-H2133-00-00	SCREW, FITTING	2	
2	J55-H2136-00-00	PLATE, BATTERY	1	
3	92907-06200-00	WASHER	2	
4	95707-06500-00	NUT, FLANGE	2	
5	JN6-H2115-01-00	WIRE, PLUS LEAD	1	
6	JN6-H2116-01-00	WIRE, MINUS LEAD	1	
7	JN6-H2117-00-00	WIRE, LEAD	1	
8	JN6-H2590-00-00	WIRE HARNESS	1	WITH REF. #34 FUSE
9	JF2-H1950-00-00	RELAY ASSEMBLY	1	
10	JN6-H2105-00-00	WIRE HARNESS	1	
11	90163-06005-00	SCREW, HEX	2	
12	JF2-81910-01-00	VOLTAGE REGULATOR ASSY	1	
13	95817-06016-00	BOLT, FLANGE	1	
14	JF7-82817-20-00	SWITCH, ACCELERATOR STOP	1	
15	98507-05025-00	SCREW, PAN HEAD	2	
16	92907-05100-00	WASHER, LOCK	2	
17	92907-05600-00	WASHER, PLATE	2	
18	90464-31827-00	CLAMP	4	
19	JR1-H3383-01-00	BUZZER	1	
20	JN6-H3386-00-00	STAY, BUZZER	1	
21	JG5-H2110-01-00	BATTERY (GRP 24, 12V, 400CCA)	1	OBTAIN LOCALLY
22	4U8-81950-02-00	RELAY ASSY	1	
23	JN6-H1942-00-00	COVER	1	
24	90461-16802-00	CLAMP	1	
25	95817-06016-00	BOLT, FLANGE	2	
26	90480-25856-00	GROMMET	1	
27	JN6-85720-12-00	OIL LEVEL GAUGE	1	
28	95817-06012-00	BOLT, FLANGE	4	
29	JN6-85724-00-00	CLAMP, OIL LEVEL	1	

## CONTENTS

ACCELERATOR	B10
AIR SHROUD FAN	A6
BODY 1	C8-9
BODY 2	C10-11
BODY FITTING	C12
BRAKE 1	B6-7
BRAKE 2	B8
BRAKE 3	B9
BUMPER	C7
CAMSHAFT VALVE	A5
CARBURETOR	A8
CARRIER	D1
CRANKCASE	A10
CRANKSHAFT PISTON	A4
CYLINDER HEAD	A3
ELECTRICAL 1	D6
ELECTRICAL 2	D7-8
ENGINE ASSEMBLY	A2
ENGINE MOUNT	A11
EXHAUST	A9
FRAME	B1
FRONT SUSPENSION WHEEL	B2-3
FUEL TANK	B5
GOVERNOR	B11
INTAKE	A7
OPTIONAL HUB CAPS	D9
OPTIONAL LIGHT KIT	E2
OPTIONAL LIGHT KIT	
STREAMLINE JU0	E3-4
OPTIONAL SUN ROOF JN3	D12
OPTIONAL SUN ROOF JN6	E1
OPTIONAL WINDSHIELD JN3	D10
OPTIONAL WINDSHIELD JN6	D11
PRIMARY CLUTCH	B12
REAR ARM SUSPENSION	A12
REAR AXLE MOUNT WHEEL	C5
SEAT	D2-3
SECONDARY SHEAVE	C1
SHIFTER CABLES	C6
STARTER GENERATOR	D4-5
STEERING	B4
TRANSAXLE	C2-4
-MODELS IN THIS CATALOG	E5



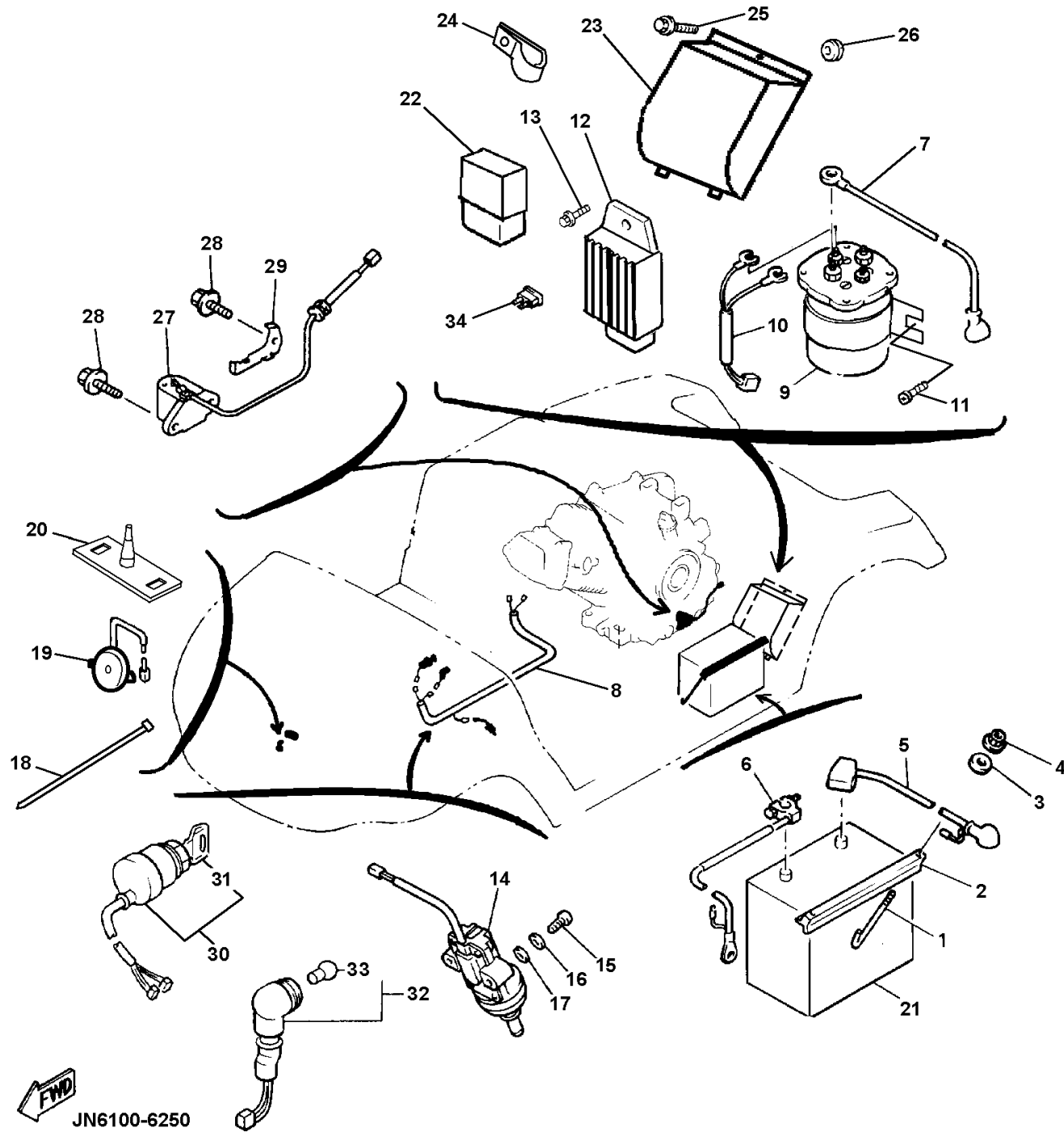
CONTINUED ON NEXT FRAME ►

# ELECTRICAL 2

Ref. No.	Part Number	Description	Qty	Remarks
30	JN8-82510-02-00	MAIN SWITCH .....	1	
31	J44-82511-00-YY	. KEY, MAIN SWITCH (J44-82511-00-00) .....	1	
32	JN6-83530-00-00	PILOT LIGHT A .....	1	
33	123-83516-21-XX	. BULB (12V-3.4W) .....	1	
34	42X-82151-00-00	FUSE, (10A-BL) .....	1	

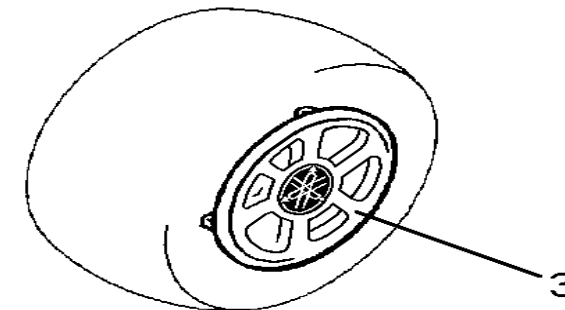
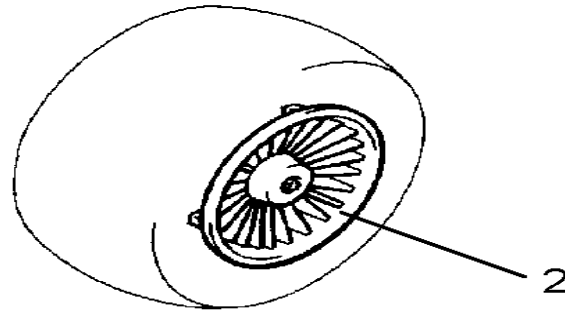
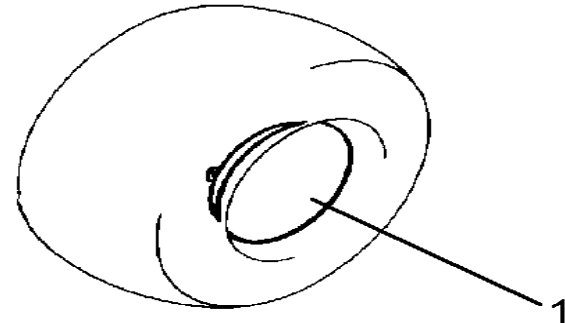
## CONTENTS

ACCELERATOR	B10
AIR SHROUD FAN	A6
BODY 1	C8-9
BODY 2	C10-11
BODY FITTING	C12
BRAKE 1	B6-7
BRAKE 2	B8
BRAKE 3	B9
BUMPER	C7
CAMSHAFT VALVE	A5
CARBURETOR	A8
CARRIER	D1
CRANKCASE	A10
CRANKSHAFT PISTON	A4
CYLINDER HEAD	A3
ELECTRICAL 1	D6
ELECTRICAL 2	D7-8
ENGINE ASSEMBLY	A2
ENGINE MOUNT	A11
EXHAUST	A9
FRAME	B1
FRONT SUSPENSION WHEEL	B2-3
FUEL TANK	B5
GOVERNOR	B11
INTAKE	A7
OPTIONAL HUB CAPS	D9
OPTIONAL LIGHT KIT	E2
OPTIONAL LIGHT KIT	
STREAMLINE JU0	E3-4
OPTIONAL SUN ROOF JN3	D12
OPTIONAL SUN ROOF JN6	E1
OPTIONAL WINDSHIELD JN3	D10
OPTIONAL WINDSHIELD JN6	D11
PRIMARY CLUTCH	B12
REAR ARM SUSPENSION	A12
REAR AXLE MOUNT WHEEL	C5
SEAT	D2-3
SECONDARY SHEAVE	C1
SHIFTER CABLES	C6
STARTER GENERATOR	D4-5
STEERING	B4
TRANSAXLE	C2-4
-MODELS IN THIS CATALOG	E5



# OPTIONAL HUB CAPS

Ref. No.	Part Number	Description	Qty	Remarks
1	JG5-F512L-00-00	HUB CAP, PLAIN .....	4	COMES WITH CLIPS
2	JG5-F512M-00-00	HUB CAP, MAG-STYLE .....	4	COMES WITH CLIPS
3	JN6-HUBCP-TF-00	HUB-CAP, TUNING FORK ....	4	COMES WITH CLIPS



## CONTENTS

ACCELERATOR	B10
AIR SHROUD FAN	A6
BODY 1	C8-9
BODY 2	C10-11
BODY FITTING	C12
BRAKE 1	B6-7
BRAKE 2	B8
BRAKE 3	B9
BUMPER	C7
CAMSHAFT VALVE	A5
CARBURETOR	A8
CARRIER	D1
CRANKCASE	A10
CRANKSHAFT PISTON	A4
CYLINDER HEAD	A3
ELECTRICAL 1	D6
ELECTRICAL 2	D7-8
ENGINE ASSEMBLY	A2
ENGINE MOUNT	A11
EXHAUST	A9
FRAME	B1
FRONT SUSPENSION WHEEL	B2-3
FUEL TANK	B5
GOVERNOR	B11
INTAKE	A7
OPTIONAL HUB CAPS	D9
OPTIONAL LIGHT KIT	E2
OPTIONAL LIGHT KIT	
STREAMLINE JU0	E3-4
OPTIONAL SUN ROOF JN3	D12
OPTIONAL SUN ROOF JN6	E1
OPTIONAL WINDSHIELD JN3	D10
OPTIONAL WINDSHIELD JN6	D11
PRIMARY CLUTCH	B12
REAR ARM SUSPENSION	A12
REAR AXLE MOUNT WHEEL	C5
SEAT	D2-3
SECONDARY SHEAVE	C1
SHIFTER CABLES	C6
STARTER GENERATOR	D4-5
STEERING	B4
TRANSAXLE	C2-4
-MODELS IN THIS CATALOG	E5

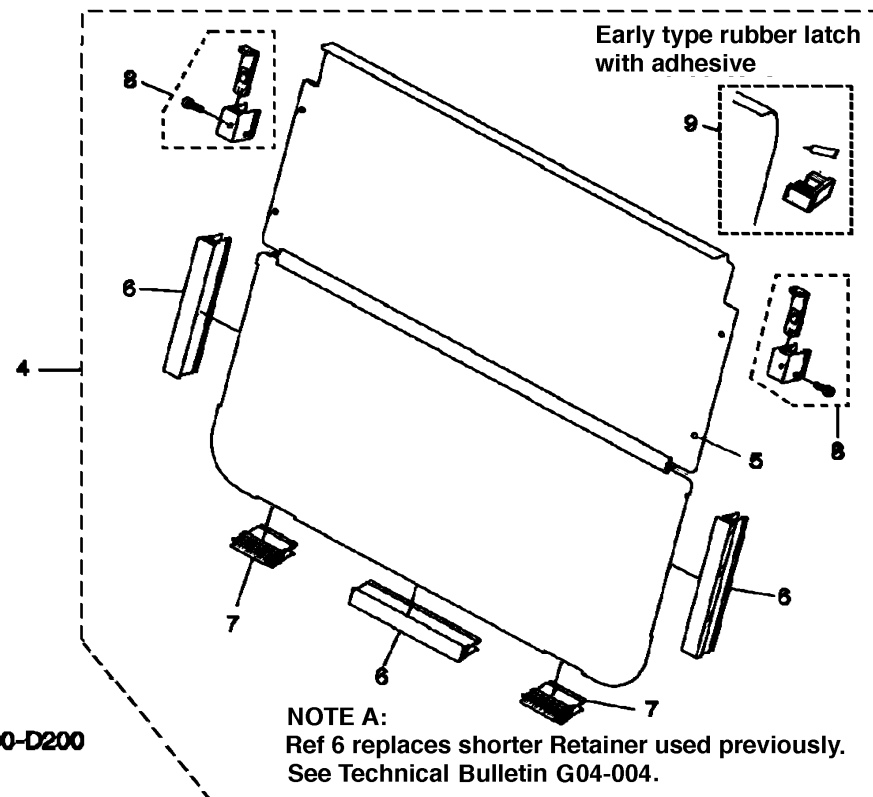
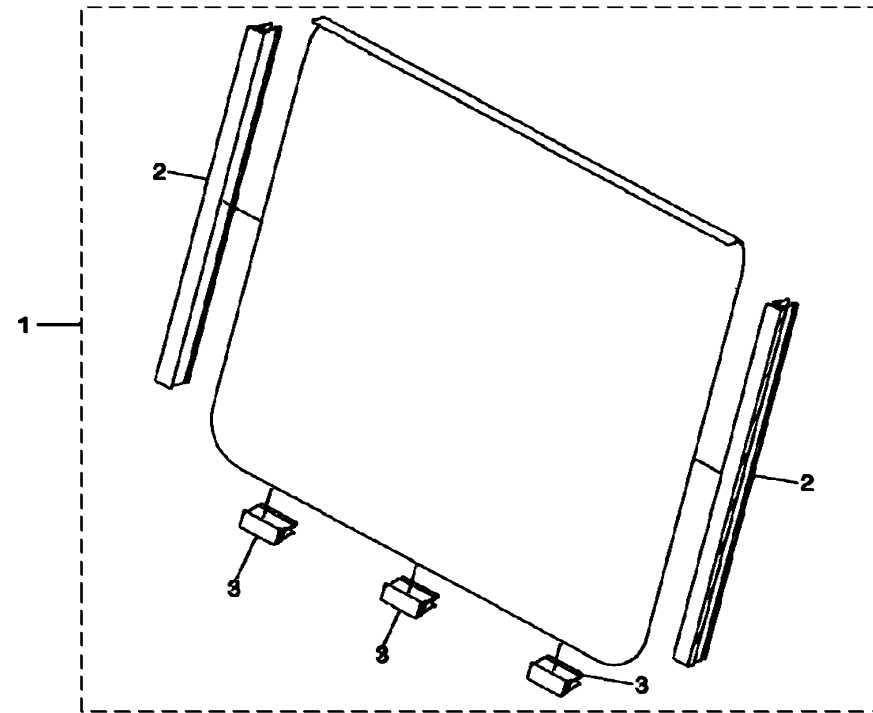
 JN6100-6261

# OPTIONAL WINDSHIELD JN3

Ref. No.	Part Number	Description	Qty	Remarks
1	JN3-K7200-01-00	WINDSHIELD ASSEMBLY (ONE PIECE, CLEAR)	1	UR, JN3 SUNTOP REQUIRED
2	JU0-K838C-00-00	. HOLDER SHIELD	2	29 INCHES
3	JU0-K722A-01-00	. FASTENER	3	
4	JN3-K7200-22-00	WINDSHIELD ASSEMBLY (HINGED, CLEAR)	1	UR, JN3 SUNTOP REQUIRED
	JN3-K7200-32-00	WINDSHIELD ASSEMBLY (HINGED, TINTED)	1	UR, JN3 SUNTOP REQUIRED
5	JU0-K7238-00-00	. DAMPER, WINDSHIELD	6	
6	JU0-K838B-09-00	. RETAINER 2	3	SEE NOTE A
7	JU0-K7222-01-00	. BRACKET, WIINDSHIELD	2	
8	JU0-K722E-00-00	. LATCH, SLIDE	1	
9	ACC-CCGLU-ES-ET	HINGED WINDOW MTG BRACKET	1	UR PREVIOUS DESIGN RUBBER LATCH W/GLUE

## CONTENTS

ACCELERATOR	B10
AIR SHROUD FAN	A6
BODY 1	C8-9
BODY 2	C10-11
BODY FITTING	C12
BRAKE 1	B6-7
BRAKE 2	B8
BRAKE 3	B9
BUMPER	C7
CAMSHAFT VALVE	A5
CARBURETOR	A8
CARRIER	D1
CRANKCASE	A10
CRANKSHAFT PISTON	A4
CYLINDER HEAD	A3
ELECTRICAL 1	D6
ELECTRICAL 2	D7-8
ENGINE ASSEMBLY	A2
ENGINE MOUNT	A11
EXHAUST	A9
FRAME	B1
FRONT SUSPENSION WHEEL	B2-3
FUEL TANK	B5
GOVERNOR	B11
INTAKE	A7
OPTIONAL HUB CAPS	D9
OPTIONAL LIGHT KIT	E2
OPTIONAL LIGHT KIT	
STREAMLINE JU0	E3-4
OPTIONAL SUN ROOF JN3	D12
OPTIONAL SUN ROOF JN6	E1
OPTIONAL WINDSHIELD JN3	D10
OPTIONAL WINDSHIELD JN6	D11
PRIMARY CLUTCH	B12
REAR ARM SUSPENSION	A12
REAR AXLE MOUNT WHEEL	C5
SEAT	D2-3
SECONDARY SHEAVE	C1
SHIFTER CABLES	C6
STARTER GENERATOR	D4-5
STEERING	B4
TRANSAXLE	C2-4
-MODELS IN THIS CATALOG	E5

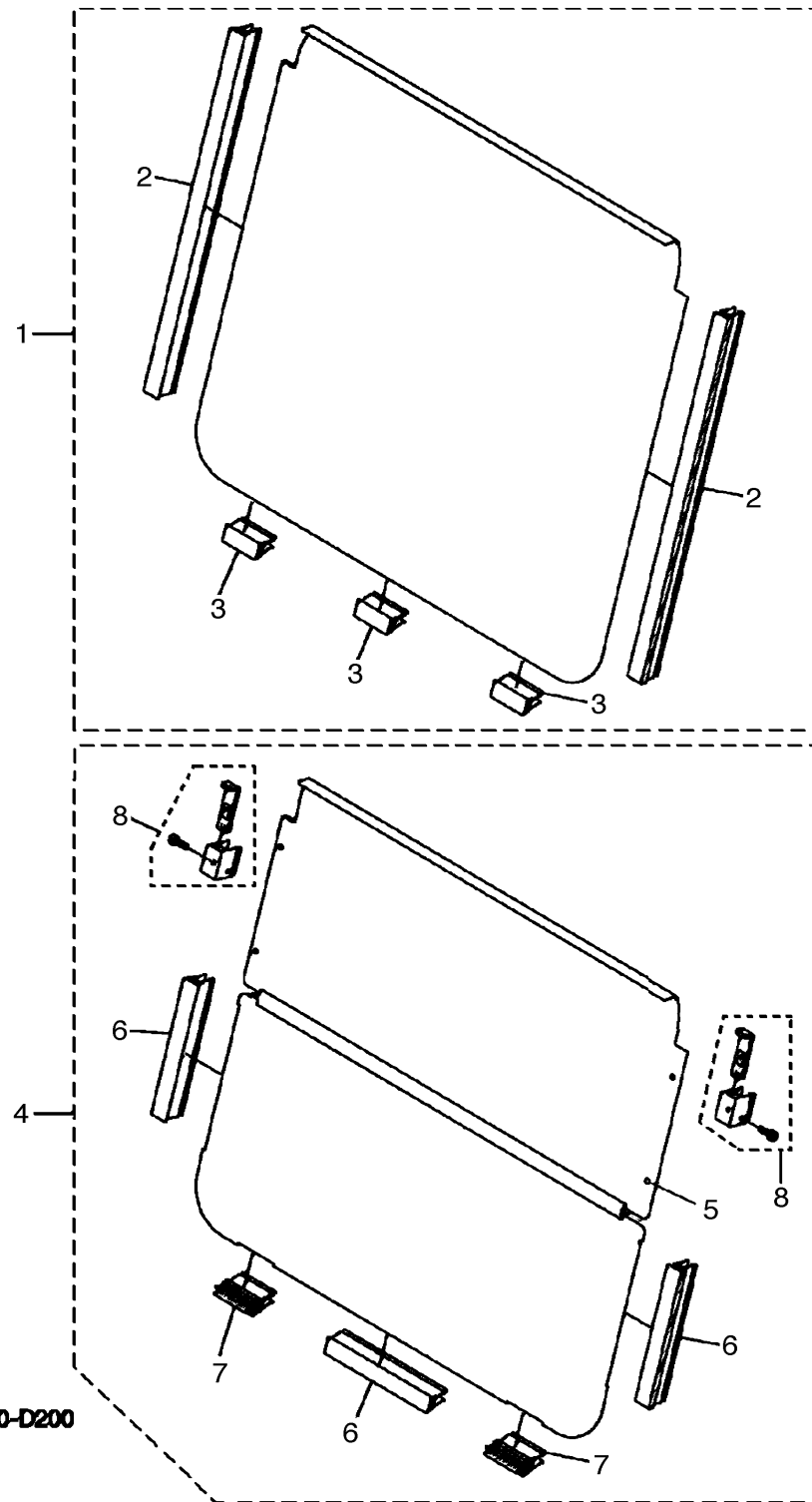


# OPTIONAL WINDSHIELD JN6

Ref. No.	Part Number	Description	Qty	Remarks
1	JN6-K7200-00-00	WIINDSHIELD, CLEAR 1 PIECE	1	UR, JN6 SUNTOP
2	JU0-K838C-00-00	. HOLDER SHIELD .....	2	29 INCHES
3	JU0-K838A-10-00	. FASTNER, 2 .....	3	
4	JN6-K7200-22-00	WINDSHIELD ASSY, (HINGED, CLEAR) .....	1	UR, JN6 SUNTOP
	JN6-K7200-32-00	WINDSHIELD ASSY, (HINGED, TINTED) .....	1	UR, JN6 SUNTOP
5	JU0-K7238-00-00	. DAMPER, WINDSHIELD .....	4	
6	JU0-K838B-00-00	. RETAINER 2 .....	3	10 INCHES
7	JU0-K7222-01-00	. BRACKET, WIINDSHIELD ...	2	2 INCHES
8	JU0-K722E-00-00	. LATCH, SLIDE .....	1	

## CONTENTS

ACCELERATOR	B10
AIR SHROUD FAN	A6
BODY 1	C8-9
BODY 2	C10-11
BODY FITTING	C12
BRAKE 1	B6-7
BRAKE 2	B8
BRAKE 3	B9
BUMPER	C7
CAMSHAFT VALVE	A5
CARBURETOR	A8
CARRIER	D1
CRANKCASE	A10
CRANKSHAFT PISTON	A4
CYLINDER HEAD	A3
ELECTRICAL 1	D6
ELECTRICAL 2	D7-8
ENGINE ASSEMBLY	A2
ENGINE MOUNT	A11
EXHAUST	A9
FRAME	B1
FRONT SUSPENSION WHEEL	B2-3
FUEL TANK	B5
GOVERNOR	B11
INTAKE	A7
OPTIONAL HUB CAPS	D9
OPTIONAL LIGHT KIT	E2
OPTIONAL LIGHT KIT	
STREAMLINE JU0	E3-4
OPTIONAL SUN ROOF JN3	D12
OPTIONAL SUN ROOF JN6	E1
OPTIONAL WINDSHIELD JN3	D10
OPTIONAL WINDSHIELD JN6	D11
PRIMARY CLUTCH	B12
REAR ARM SUSPENSION	A12
REAR AXLE MOUNT WHEEL	C5
SEAT	D2-3
SECONDARY SHEAVE	C1
SHIFTER CABLES	C6
STARTER GENERATOR	D4-5
STEERING	B4
TRANSAXLE	C2-4
-MODELS IN THIS CATALOG	E5

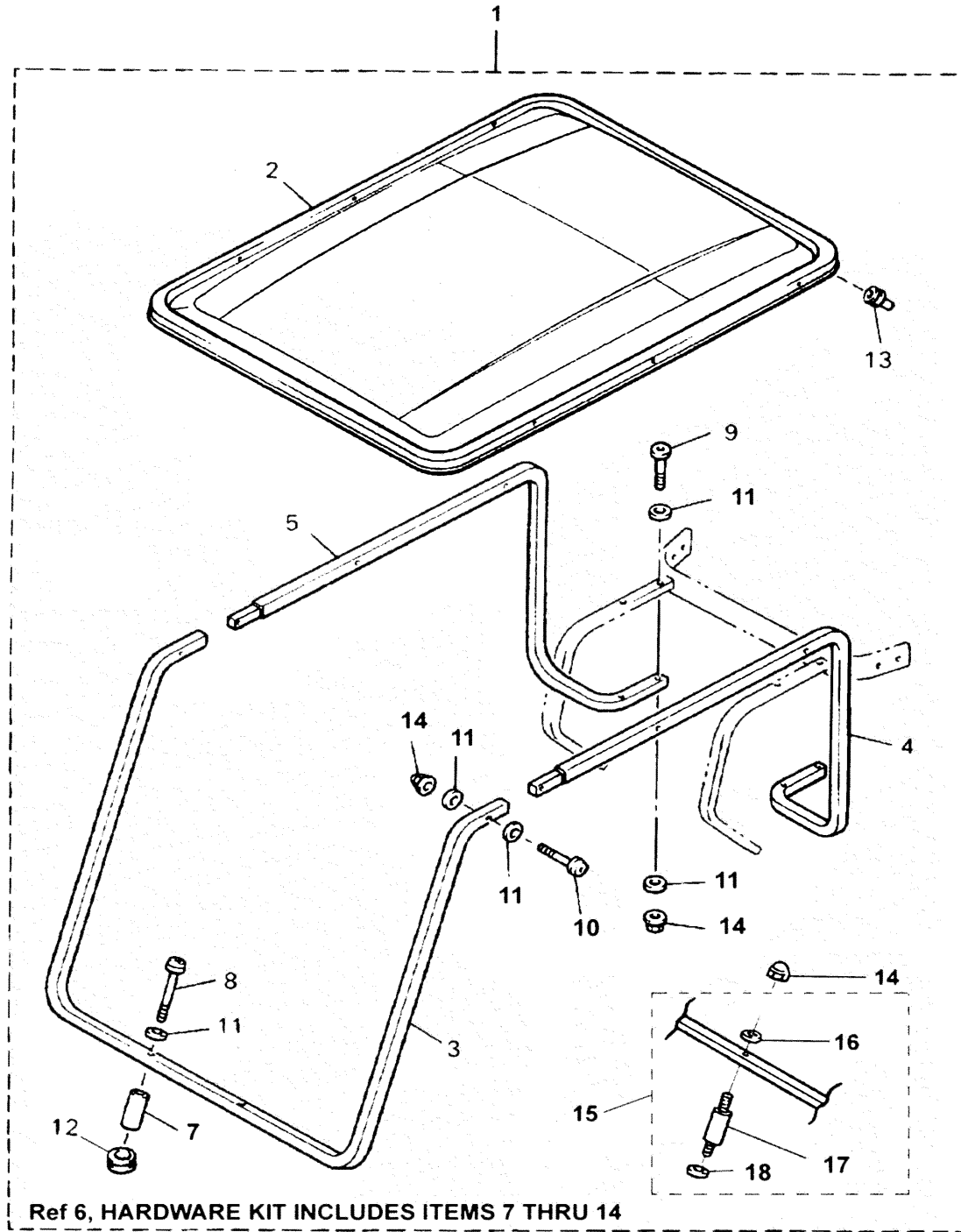



# OPTIONAL SUN ROOF JN3

Ref. No.	Part Number	Description	Qty	Remarks
1	JN3-K8310-10-00	SUN ROOF ASSEMBLY .....	1	UR AP
2	JN3-K8314-00-00	. COVER, SUNROOF .....	1	
3	JN3-K8312-00-00	. SUPPORT, ROOF 1 .....	1	
4	JN3-K8313-00-00	. SUPPORT, ROOF 2 .....	1	
5	JN3-K831A-00-00	. SUPPORT, ROOF 3 .....	1	
6	ABA-JN398-99-00	. HARDWARE, SUNTOP .....	1	
7	90387-09826-00	.. COLLAR .....	2	
8	90101-08862-00	.. BOLT .....	2	
9	90101-22864-00	.. BOLT .....	4	NOT AVAILABLE SEPARATELY
10	90101-22862-00	.. BOLT .....	6	
11	90201-088E5-00	.. WASHER, PLATE .....	24	
12	JN3-K832F-00-00	.. GROMMET, ROOF SUPPORT	2	
13	JN3-K832G-00-00	.. GROMMET, ROOF .....	2	
14	90185-12835-00	.. NUT, SELF-LOCK .....	10	
15	JN6-K834A-02-KT	HOLDER, REINFORCEMENT ..	1	UR AP
16	90201-098J4-00	. WASHER, PLAIN .....	2	
17	JN6-K834A-02-00	. HOLDER, REINFORCEMENT .	2	
18	9299R-08600-00	. WASHER, PLATE .....	2	

## CONTENTS

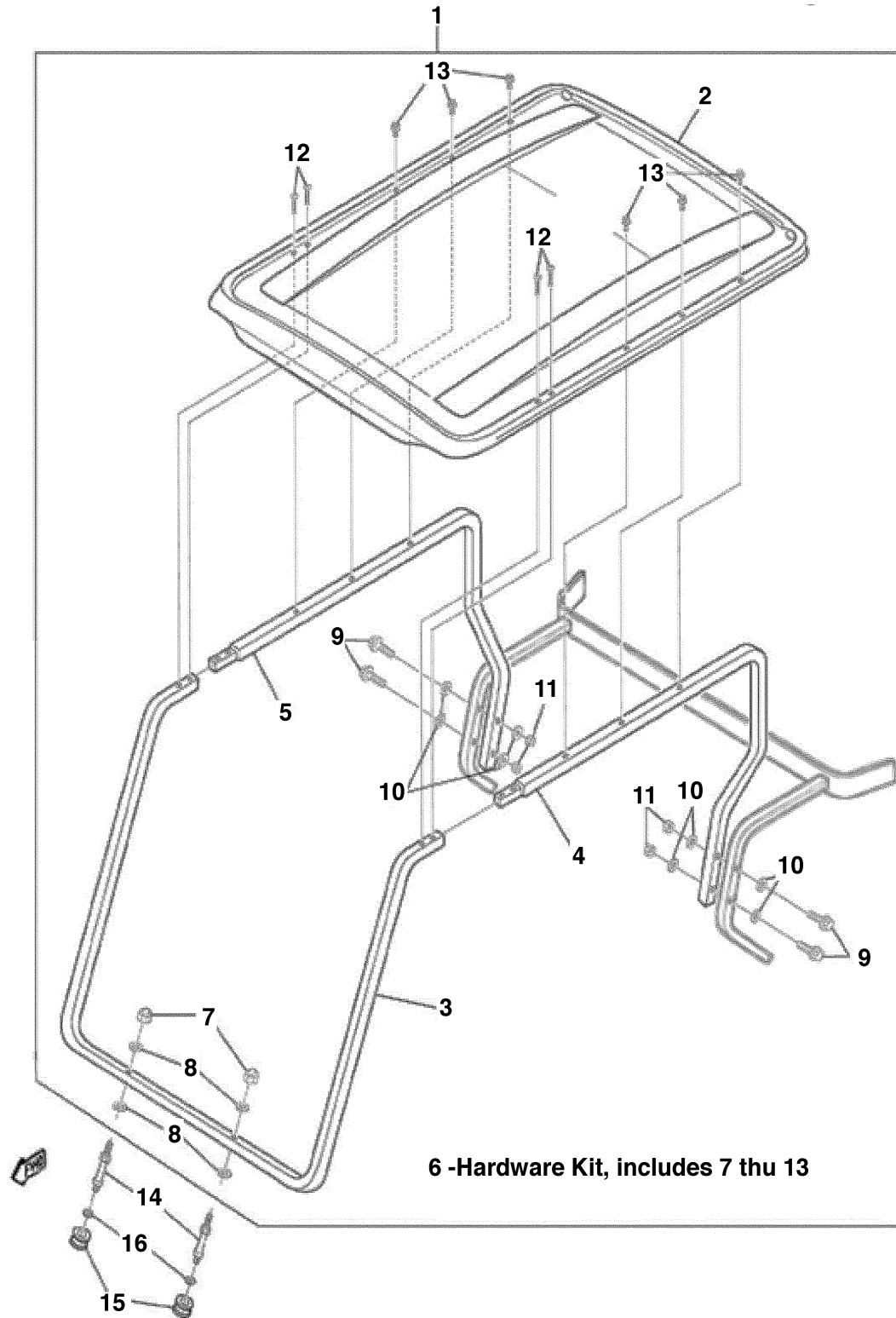
ACCELERATOR	B10
AIR SHROUD FAN	A6
BODY 1	C8-9
BODY 2	C10-11
BODY FITTING	C12
BRAKE 1	B6-7
BRAKE 2	B8
BRAKE 3	B9
BUMPER	C7
CAMSHAFT VALVE	A5
CARBURETOR	A8
CARRIER	D1
CRANKCASE	A10
CRANKSHAFT PISTON	A4
CYLINDER HEAD	A3
ELECTRICAL 1	D6
ELECTRICAL 2	D7-8
ENGINE ASSEMBLY	A2
ENGINE MOUNT	A11
EXHAUST	A9
FRAME	B1
FRONT SUSPENSION WHEEL	B2-3
FUEL TANK	B5
GOVERNOR	B11
INTAKE	A7
OPTIONAL HUB CAPS	D9
OPTIONAL LIGHT KIT	E2
OPTIONAL LIGHT KIT	
STREAMLINE JU0	E3-4
OPTIONAL SUN ROOF JN3	D12
OPTIONAL SUN ROOF JN6	E1
OPTIONAL WINDSHIELD JN3	D10
OPTIONAL WINDSHIELD JN6	D11
PRIMARY CLUTCH	B12
REAR ARM SUSPENSION	A12
REAR AXLE MOUNT WHEEL	C5
SEAT	D2-3
SECONDARY SHEAVE	C1
SHIFTER CABLES	C6
STARTER GENERATOR	D4-5
STEERING	B4
TRANSAXLE	C2-4
-MODELS IN THIS CATALOG	E5



 JN3100-5371



# OPTIONAL SUN ROOF JN6

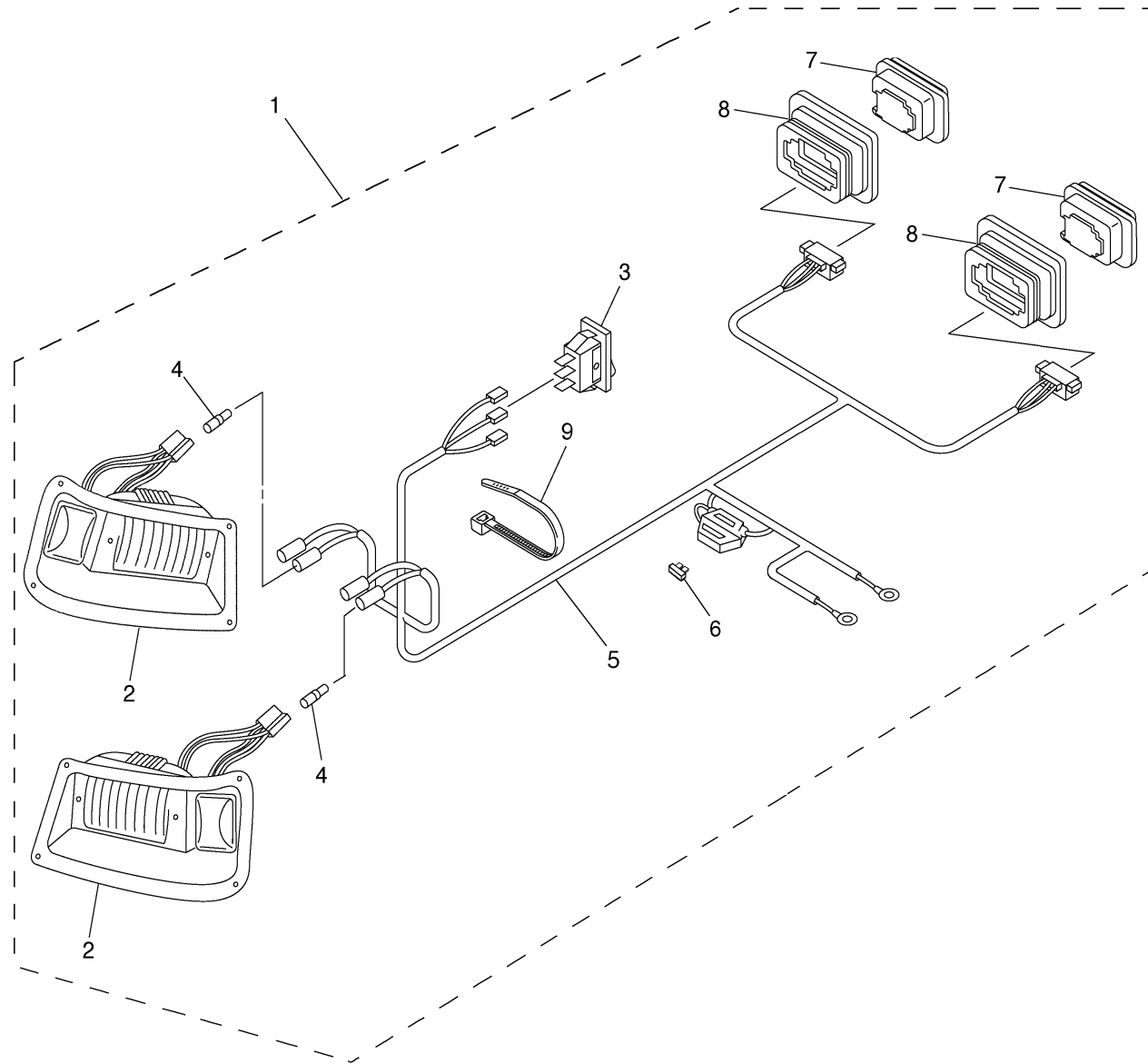


Ref. No.	Part Number	Description	Qty	Remarks
1	JN6-K8310-12-00	SUNTOP KIT .....	1	
2	JN6-K8314-00-00	. COVER, SUN ROOF .....	1	
3	JN6-K8312-00-00	. SUPPORT, SUN ROOF 1 .....	1	FRONT
4	JN6-K8313-12-00	. SUPPORT, SUN ROOF 2 .....	1	LH SIDE
5	JN6-K831A-12-00	. SUPPORT, SUN ROOF 2 .....	1	RH RIGHT
6	ABA-JN6K8-31-00	. HARDWARE KIT SUNTOP ...	1	
7	90176-08801-00	.. NUT, CAP .....	2	
8	90201-098J4-00	.. WASHER, PLAIN .....	4	
9	90101-22864-00	.. BOLT .....	4	70MM LONG (NOT AVAILABLE SEPARATELY)
10	90201-088T2-00	.. WASHER, PLAIN .....	8	
11	90185-12835-00	.. NUT, SELF-LOCK .....	4	NOT AVAILABLE SEPARATELY
12	90110-06800-00	.. SCREW .....	4	16MM LONG, NOT AVAILABLE SEPARATELY
13	90269-08800-00	.. RIVET .....	6	WHITE PLASTIC RIVET
14	JN6-K834A-02-00	HOLDER, REINFORCEMENT ..	2	UR, NOT INCLUDED
15	JN3-K832F-00-00	GROMMET, ROOF SUPPORT ..	2	UR, NOT INCLUDED
16	9299R-08600-00	WASHER, PLATE .....	2	UR, NOT INCLUDED

## CONTENTS

ACCELERATOR	B10
AIR SHROUD FAN	A6
BODY 1	C8-9
BODY 2	C10-11
BODY FITTING	C12
BRAKE 1	B6-7
BRAKE 2	B8
BRAKE 3	B9
BUMPER	C7
CAMSHAFT VALVE	A5
CARBURETOR	A8
CARRIER	D1
CRANKCASE	A10
CRANKSHAFT PISTON	A4
CYLINDER HEAD	A3
ELECTRICAL 1	D6
ELECTRICAL 2	D7-8
ENGINE ASSEMBLY	A2
ENGINE MOUNT	A11
EXHAUST	A9
FRAME	B1
FRONT SUSPENSION WHEEL	B2-3
FUEL TANK	B5
GOVERNOR	B11
INTAKE	A7
OPTIONAL HUB CAPS	D9
OPTIONAL LIGHT KIT	E2
OPTIONAL LIGHT KIT STREAMLINE JU0	E3-4
OPTIONAL SUN ROOF JN3	D12
OPTIONAL SUN ROOF JN6	E1
OPTIONAL WINDSHIELD JN3	D10
OPTIONAL WINDSHIELD JN6	D11
PRIMARY CLUTCH	B12
REAR ARM SUSPENSION	A12
REAR AXLE MOUNT WHEEL	C5
SEAT	D2-3
SECONDARY SHEAVE	C1
SHIFTER CABLES	C6
STARTER GENERATOR	D4-5
STEERING	B4
TRANSAXLE	C2-4
-MODELS IN THIS CATALOG	E5

# OPTIONAL LIGHT KIT



Ref. No.	Part Number	Description	Qty	Remarks
1	JN6-H430A-20-00	HEADLIGHT UNIT ASSEMBLY .	1	
2	JN3-H4303-20-00	. HEADLIGHT UNIT ASSEMBLY	1	SOLD AS R & L SET
3	JN3-H3976-20-00	. SWITCH, HANDLE 1	1	
4	9E212-10401-00	. TERMINAL	2	
5	JN6-H4159-00-00	. CORD, HEADLIGHT	1	
6	42X-82151-00-00	. . FUSE, (10A-BL)	1	
7	JN3-H4700-00-00	. TAILLIGHT ASSY	2	
8	JN3-H4718-00-00	. GROMMET	2	
9	GCA-JU012-51-00	. CLAMP	20	

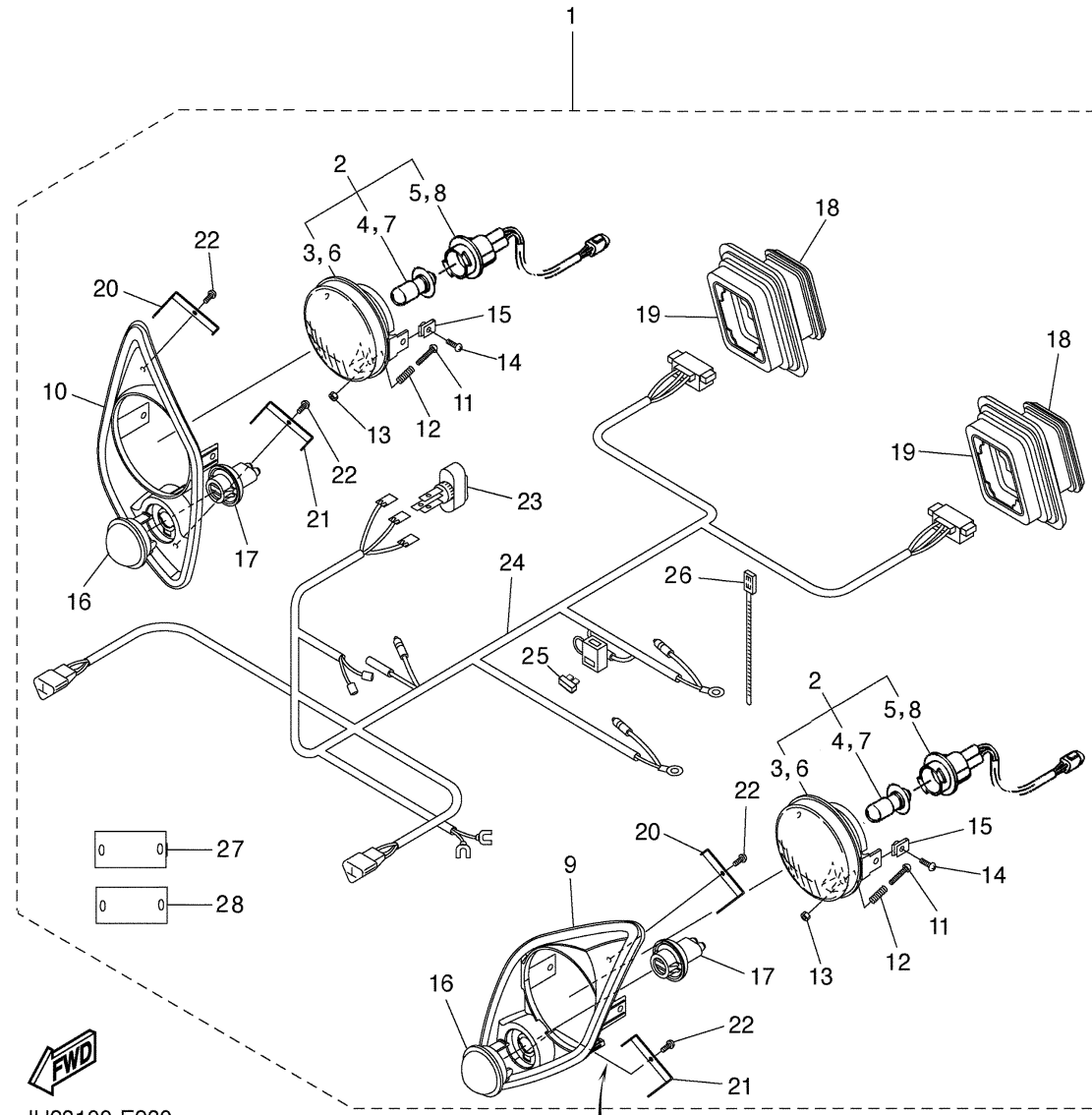
## CONTENTS

ACCELERATOR	B10
AIR SHROUD FAN	A6
BODY 1	C8-9
BODY 2	C10-11
BODY FITTING	C12
BRAKE 1	B6-7
BRAKE 2	B8
BRAKE 3	B9
BUMPER	C7
CAMSHAFT VALVE	A5
CARBURETOR	A8
CARRIER	D1
CRANKCASE	A10
CRANKSHAFT PISTON	A4
CYLINDER HEAD	A3
ELECTRICAL 1	D6
ELECTRICAL 2	D7-8
ENGINE ASSEMBLY	A2
ENGINE MOUNT	A11
EXHAUST	A9
FRAME	B1
FRONT SUSPENSION WHEEL	B2-3
FUEL TANK	B5
GOVERNOR	B11
INTAKE	A7
OPTIONAL HUB CAPS	D9
OPTIONAL LIGHT KIT	E2
OPTIONAL LIGHT KIT STREAMLINE JU0	E3-4
OPTIONAL SUN ROOF JN3	D12
OPTIONAL SUN ROOF JN6	E1
OPTIONAL WINDSHIELD JN3	D10
OPTIONAL WINDSHIELD JN6	D11
PRIMARY CLUTCH	B12
REAR ARM SUSPENSION	A12
REAR AXLE MOUNT WHEEL	C5
SEAT	D2-3
SECONDARY SHEAVE	C1
SHIFTER CABLES	C6
STARTER GENERATOR	D4-5
STEERING	B4
TRANSAXLE	C2-4
-MODELS IN THIS CATALOG	E5



JU23100-E230

# OPTIONAL LIGHT KIT STREAMLINE JU0



JU23100-E230

**NOTE A:** To order the correct service parts read the part number on the back of the lens assembly (5FU-H4320-00-00 or 5FU-H4320-10-00).

**NOTE B:** To determine which Holder (-00 or -02) you are working with, measure the Headlight Lens Adjusting Screw boss on the back of the Holder.

-00 = 35mm  
-02 = 25mm

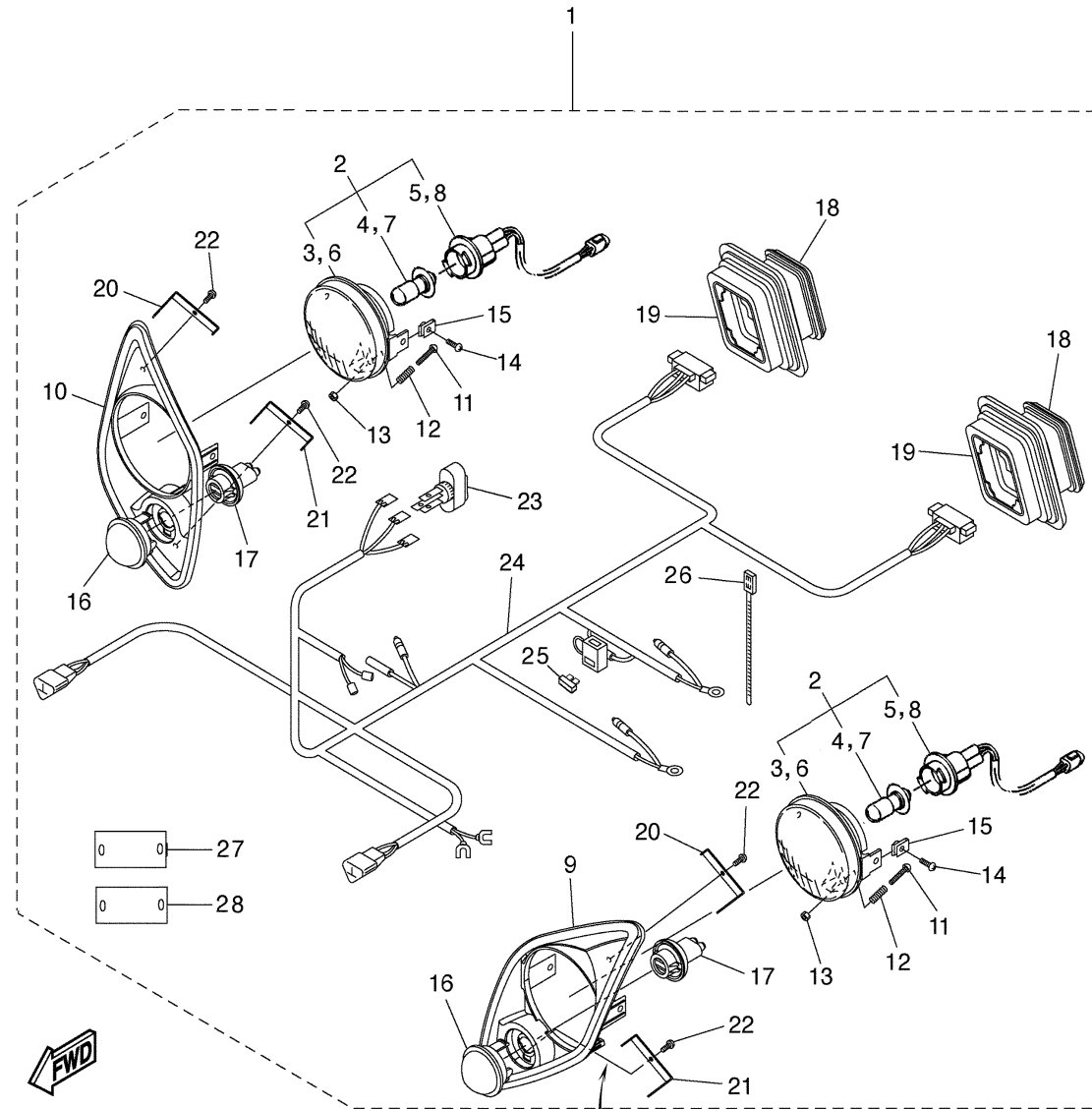
Ref. No.	Part Number	Description	Qty	Remarks
1	JU0-H430A-01-00	HEADLIGHT UNIT ASSY	1	
2	5FU-H4300-00-00	. HEADLIGHT ASSY	2	UR, SEE NOTE A
	5FU-H4300-10-00	. HEADLIGHT ASSY	2	UR, SEE NOTE A
3	5FU-H4320-00-00	.. LENS ASSY	2	UR, USE WITH -00 ASSY
4	5FU-H4314-00-00	.. BULB, HEADLIGHT (12V-3030W)	2	UR, USE WITH -00 LENS
5	5FU-H4340-00-00	.. SOCKET CORD ASSY	2	UR, FOR -00 BULB
6	5FU-H4320-10-00	.. LENS ASSY	2	UR, USE WITH -10 ASSY
7	5FU-H4314-10-00	.. BULB, HEADLIGHT (12V-3030W)	2	UR, USE WITH -10 LENS
8	5FU-H4340-10-00	.. SOCKET CORD ASSY	2	UR, FOR -10 BULB
9	JU7-H411T-00-00	HOLDER, 1	1	USE WITH 15MM SPRING, SEE NOTE B
	JU7-H411T-02-00	HOLDER, 1	1	USE WITH 34MM SPRING, SEE NOTE B
10	JU7-H411U-00-00	HOLDER, 2	1	USE WITH 15MM SPRING, SEE NOTE B
	JU7-H411U-02-00	HOLDER, 2	1	USE WITH 34MM SPRING, SEE NOTE B
11	98507-03540-00	. SCREW, PAN HEAD	2	
12	2GU-84332-00-00	. SPRING, SCREW	2	UR, GOLD (L=34MM (FOR -02 HOLDER WITH 25MM BOSS))
	90501-10060-00	. SPRING, SCREW	2	UR, BLACK (L=15MM (FOR -00 HOLDER WITH 35MM BOSS))
13	2GU-84334-00-00	. NUT, ADJUSTING	2	
14	90150-05802-00	. SCREW, ROUND HEAD	4	
15	90183-05008-00	. NUT, SPRING	4	
16	JU7-H5415-00-00	. MARK, SIGNAL LAMP	2	

## CONTENTS

ACCELERATOR	B10
AIR SHROUD FAN	A6
BODY 1	C8-9
BODY 2	C10-11
BODY FITTING	C12
BRAKE 1	B6-7
BRAKE 2	B8
BRAKE 3	B9
BUMPER	C7
CAMSHAFT VALVE	A5
CARBURETOR	A8
CARRIER	D1
CRANKCASE	A10
CRANKSHAFT PISTON	A4
CYLINDER HEAD	A3
ELECTRICAL 1	D6
ELECTRICAL 2	D7-8
ENGINE ASSEMBLY	A2
ENGINE MOUNT	A11
EXHAUST	A9
FRAME	B1
FRONT SUSPENSION WHEEL	B2-3
FUEL TANK	B5
GOVERNOR	B11
INTAKE	A7
OPTIONAL HUB CAPS	D9
OPTIONAL LIGHT KIT	E2
OPTIONAL LIGHT KIT STREAMLINE JU0	E3-4
OPTIONAL SUN ROOF JN3	D12
OPTIONAL SUN ROOF JN6	E1
OPTIONAL WINDSHIELD JN3	D10
OPTIONAL WINDSHIELD JN6	D11
PRIMARY CLUTCH	B12
REAR ARM SUSPENSION	A12
REAR AXLE MOUNT WHEEL	C5
SEAT	D2-3
SECONDARY SHEAVE	C1
SHIFTER CABLES	C6
STARTER GENERATOR	D4-5
STEERING	B4
TRANSAXLE	C2-4
-MODELS IN THIS CATALOG	E5

CONTINUED ON NEXT FRAME ►

# OPTIONAL LIGHT KIT STREAMLINE JU0



JU23100-E230

**NOTE A:** To order the correct service parts read the part number on the back of the lens assembly (5FU-H4320-00-00 or 5FU-H4320-10-00).

**NOTE B:** To determine which Holder (-00 or -02) you are working with, measure the Headlight Lens Adjusting Screw boss on the back of the Holder.

-00 = 35mm  
-02 = 25mm

Ref. No.	Part Number	Description	Qty	Remarks
17	JU7-H3547-00-00	. COVER, SOCKET .....	2	
18	JU5-H4700-00-00	. TAILLIGHT ASSY .....	2	
19	JU5-H4718-00-00	. GROMMET .....	2	
20	JU7-H4118-01-00	. STAY, HEADLIGHT 1 .....	2	
21	JU7-H4119-01-00	. STAY, HEADLIGHT 2 .....	2	
22	97707-40112-00	. SCREW, TAPPING .....	4	
23	JU0-H3976-00-00	. SWITCH, HANDLE 1 .....	1	
24	JU0-H4159-00-00	. CORD, HEADLIGHT .....	1	
25	42X-82151-00-00	. . FUSE, (10A-BL) .....	1	
26	GCA-JU012-51-00	. CLAMP .....	20	
27	GCA-JU012-41-00	. REFLECTOR, AMBER .....	2	
28	GCA-JU012-42-00	. REFLECTOR, RED .....	2	

## CONTENTS

ACCELERATOR	B10
AIR SHROUD FAN	A6
BODY 1	C8-9
BODY 2	C10-11
BODY FITTING	C12
BRAKE 1	B6-7
BRAKE 2	B8
BRAKE 3	B9
BUMPER	C7
CAMSHAFT VALVE	A5
CARBURETOR	A8
CARRIER	D1
CRANKCASE	A10
CRANKSHAFT PISTON	A4
CYLINDER HEAD	A3
ELECTRICAL 1	D6
ELECTRICAL 2	D7-8
ENGINE ASSEMBLY	A2
ENGINE MOUNT	A11
EXHAUST	A9
FRAME	B1
FRONT SUSPENSION WHEEL	B2-3
FUEL TANK	B5
GOVERNOR	B11
INTAKE	A7
OPTIONAL HUB CAPS	D9
OPTIONAL LIGHT KIT	E2
OPTIONAL LIGHT KIT	
STREAMLINE JU0	E3-4
OPTIONAL SUN ROOF JN3	D12
OPTIONAL SUN ROOF JN6	E1
OPTIONAL WINDSHIELD JN3	D10
OPTIONAL WINDSHIELD JN6	D11
PRIMARY CLUTCH	B12
REAR ARM SUSPENSION	A12
REAR AXLE MOUNT WHEEL	C5
SEAT	D2-3
SECONDARY SHEAVE	C1
SHIFTER CABLES	C6
STARTER GENERATOR	D4-5
STEERING	B4
TRANSAXLE	C2-4
-MODELS IN THIS CATALOG	E5

## ~MODELS IN THIS CATALOG

**1996 G16AP (JN6)**  
**1997 G16AR (JN6)**  
**1998 G16AS (JN6)**  
**1999 G16AT (JN6)**  
**2000 G16AU (JN6)**  
**2001 G16AW (JN6)**  
**2002 G16AX (JN6)**

**STARTING FRAME: JN6-000101 and following**

**ALL THESE MODELS USE THIS SAME PARTS CATALOG.  
 BE SURE TO ORDER ONLY THOSE PARTS APPLICABLE  
 TO THE DESIRED MODEL.**

Ref. No.	Part Number	Description	Qty	Remarks
----------	-------------	-------------	-----	---------

### CONTENTS

ACCELERATOR	B10
AIR SHROUD FAN	A6
BODY 1	C8-9
BODY 2	C10-11
BODY FITTING	C12
BRAKE 1	B6-7
BRAKE 2	B8
BRAKE 3	B9
BUMPER	C7
CAMSHAFT VALVE	A5
CARBURETOR	A8
CARRIER	D1
CRANKCASE	A10
CRANKSHAFT PISTON	A4
CYLINDER HEAD	A3
ELECTRICAL 1	D6
ELECTRICAL 2	D7-8
ENGINE ASSEMBLY	A2
ENGINE MOUNT	A11
EXHAUST	A9
FRAME	B1
FRONT SUSPENSION WHEEL	B2-3
FUEL TANK	B5
GOVERNOR	B11
INTAKE	A7
OPTIONAL HUB CAPS	D9
OPTIONAL LIGHT KIT	E2
OPTIONAL LIGHT KIT	
STREAMLINE JU0	E3-4
OPTIONAL SUN ROOF JN3	D12
OPTIONAL SUN ROOF JN6	E1
OPTIONAL WINDSHIELD JN3	D10
OPTIONAL WINDSHIELD JN6	D11
PRIMARY CLUTCH	B12
REAR ARM SUSPENSION	A12
REAR AXLE MOUNT WHEEL	C5
SEAT	D2-3
SECONDARY SHEAVE	C1
SHIFTER CABLES	C6
STARTER GENERATOR	D4-5
STEERING	B4
TRANSAXLE	C2-4
~MODELS IN THIS CATALOG	E5